

**OFFSET DISK HARROW**

**GASPM-HD 9017**  
**GASPM-HD 9017**

**Code:** 0501093751  
**Series:** S-1123  
**Revision:** 00  
**Revision Date:** JULY/2024

# **PARTS**

# **CATALOGUE**



**MARCHESAN**



# PRODUCTS

Code	Working Width	Description
0102080260		GASPM-HD 9017 12X32X12 DR DMO E 2.1/2 ESP S-1123
0102080253		GASPM-HD 9017 12X34X12 DR DMO E 2.1/2 S-1123
0102080254		GASPM-HD 9017 12X36X12 DR DMO E 2.1/2 S-1123
0102080255		GASPM-HD 9017 12X38X12 DR DMO E 2.1/2 S-1123
0102080257		GASPM-HD 9017 12X40X12 DR DMO E 2.1/2 S-1123
0102080258		GASPM-HD 9017 12X42X12,00 DR DMO E 2.1/2 S-1123
0102080259		GASPM-HD 9017 16X32X12 DR DMO E 2.1/2 ESP S-1123
0102080251		GASPM-HD 9017 16X36X12 DR DMO E 2.1/2 S-1123
0102080256		GASPM-HD 9017 16X38X12 DR DMO E 2.1/2 S-1123
0102080252		GASPM-HD 9017 16X40X12 DR DMO E 2.1/2 S-1123

## ATTENTION: IMPORTANT

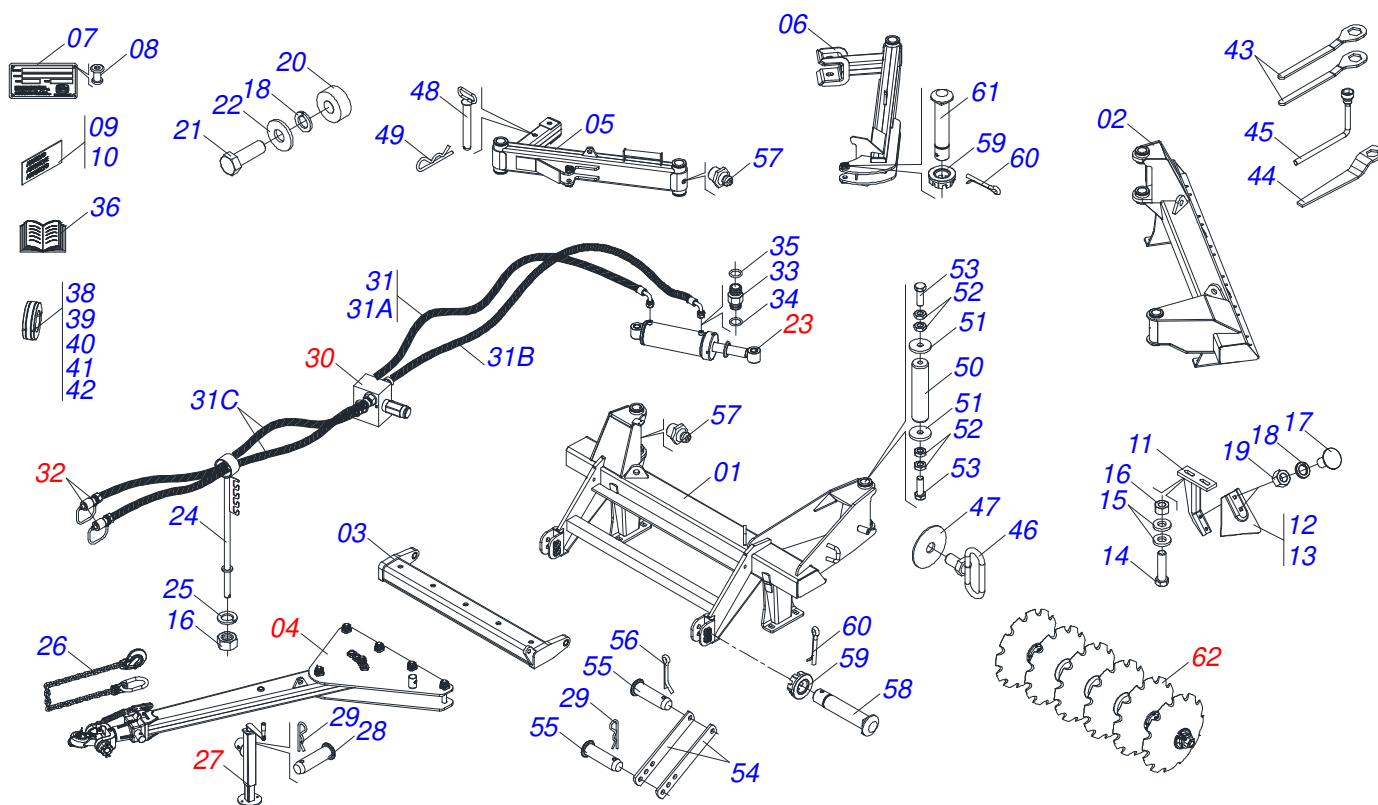
Marchesan S.A. reserves the right to improve and/or modify the technical features of its products, without obligation to do the same with those products already sold and without prior knowledge of the dealer or the customer. The photos are only illustrative.



**MARCHESAN**

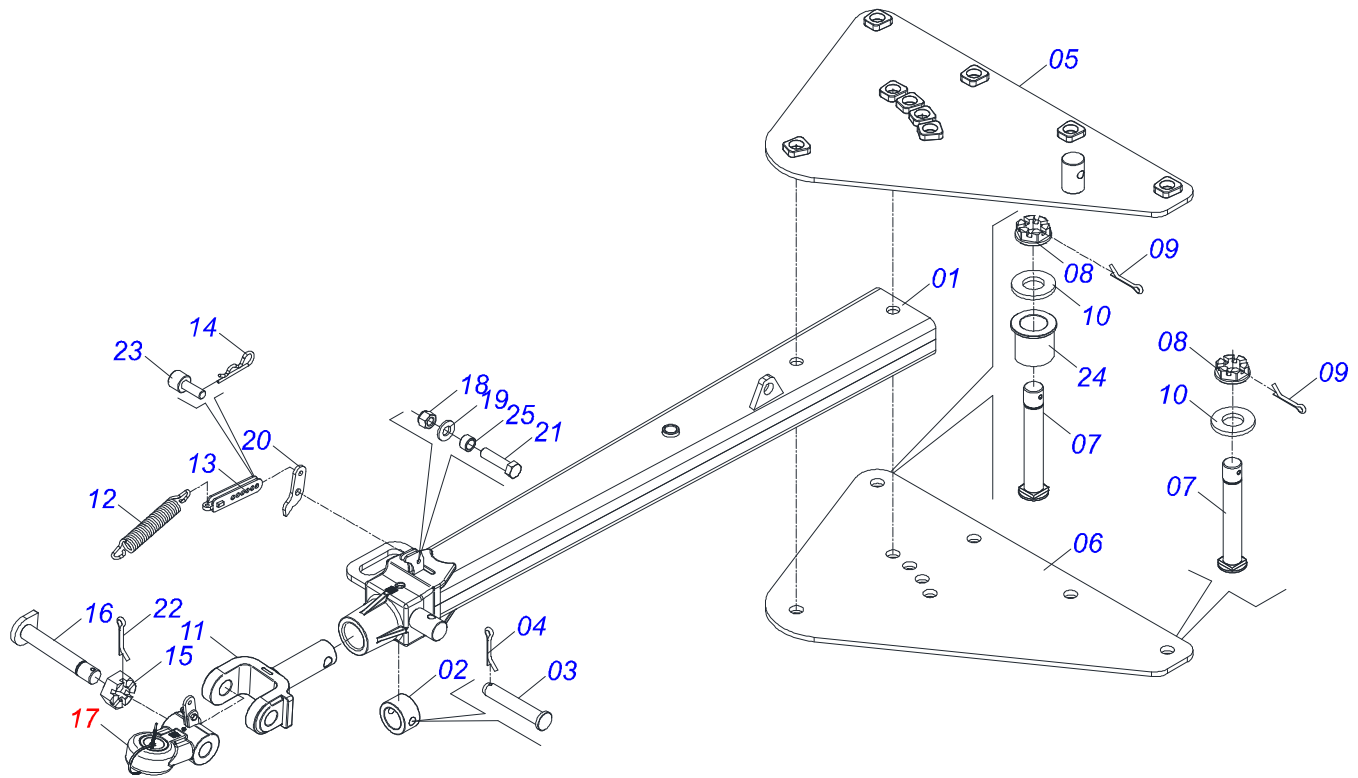
# INDEX

0909094003	FRAME ASSY	.....	1
0511041592	ASSY TRACTION BAR (PIN 3)	.....	2
0531040171	HITCH ASSY	.....	3
0511043185	HYDRAULIC CYLINDER 63,50 X 150 X 770 X 310	.....	4
0511044812	63,50 X 150 X 950 X 550 HYDRAULIC CYLINDER	.....	5
0511048088	DRAWBAR JACK	.....	6
0501055696	DISCHARGE VALVE OFS ASSY	.....	7
0501053834	MALE QUICK COUPLER	.....	8
0909094004	DISC GANG ASSY	.....	9
0531041571	430 X 2.1/2 DMO BEARING WITH PROTECTION SUPPORT	.....	10
0531052794	430 X 2.1/2 DMO BEARING	.....	11

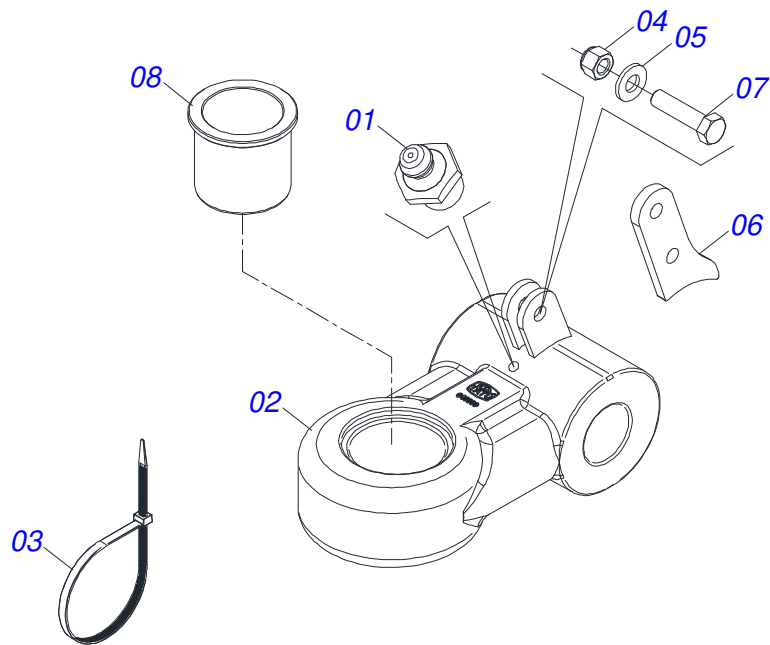


Item	Code	Description	See page	12	16
01	0511067816	FRONT FRAME - 12D		01	00
01.	0511067504	FRONT FRAME - 16D		00	01
02	0511067817	REAR FRAME - 12D		01	00
02.	0511067505	REAR FRAME - 16D		00	01
03	0521066789	HITCH BAR		01	01
04	0511041592	ASSY TRACTION BAR (PIN 3)	2	01	01
05	0511067487	FRONT STABILIZER BAR		01	00
05.	0511067182	FRONT STABILIZER BAR		00	01
06	0511067488	REAR STABILIZER BAR		01	00
06.	0511067192	REAR STABILIZER BAR		00	01
07	0503034003	61 X 118 SERIAL NUMBER TAG		01	01
08	0503010001	RIVET 3,2 X 5,5		04	04
09	0503031738	WARNING DECAL		01	01
09.	0503031840	ADHESIVE LABEL CARE		02	02
09..	0503034019	ADHESIVE LABEL GASPM-HD 9017		02	02
09...	0503034438	ADHESIVE LABEL		01	01
10	0503031087	AUTO CONTROL APPROVED DECAL		02	02
10.	0503031739	DANGER DECAL		01	01
10..	0503033795	TATU LOGO DECAL		02	02
11	0511064771	FRONT SCRAPER SUPPORT		12	16
12	0521013678	FRONT CLEANER		06	08
13	0521013679	REAR CLEANER		06	08
14	0501010500	3/4" X 3" BOLT		24	32
15	0541010763	FLAT WASHER		48	64
16	0503010014	3/4" ZN G.5 (HEAVY) UNC HEX NUT		24	32
17	0503012195	5/8" NUT		24	32
18	0503010027	5/8 SPRING WASHER		36	33
19	0503010013	5/8 UNC G.5 ZN HEX NUT		36	32
20	0521011481	FRAME BATTERY		01	01
21	0501010108	5/8" X 1" BOLT		01	01
22	0501012140	FLAT WASHER 16,50 X 40 X 4,00 ZN		01	17
23	0511043185	HYDRAULIC CYLINDER 63,50 X 150 X 770 X 310	4	01	00

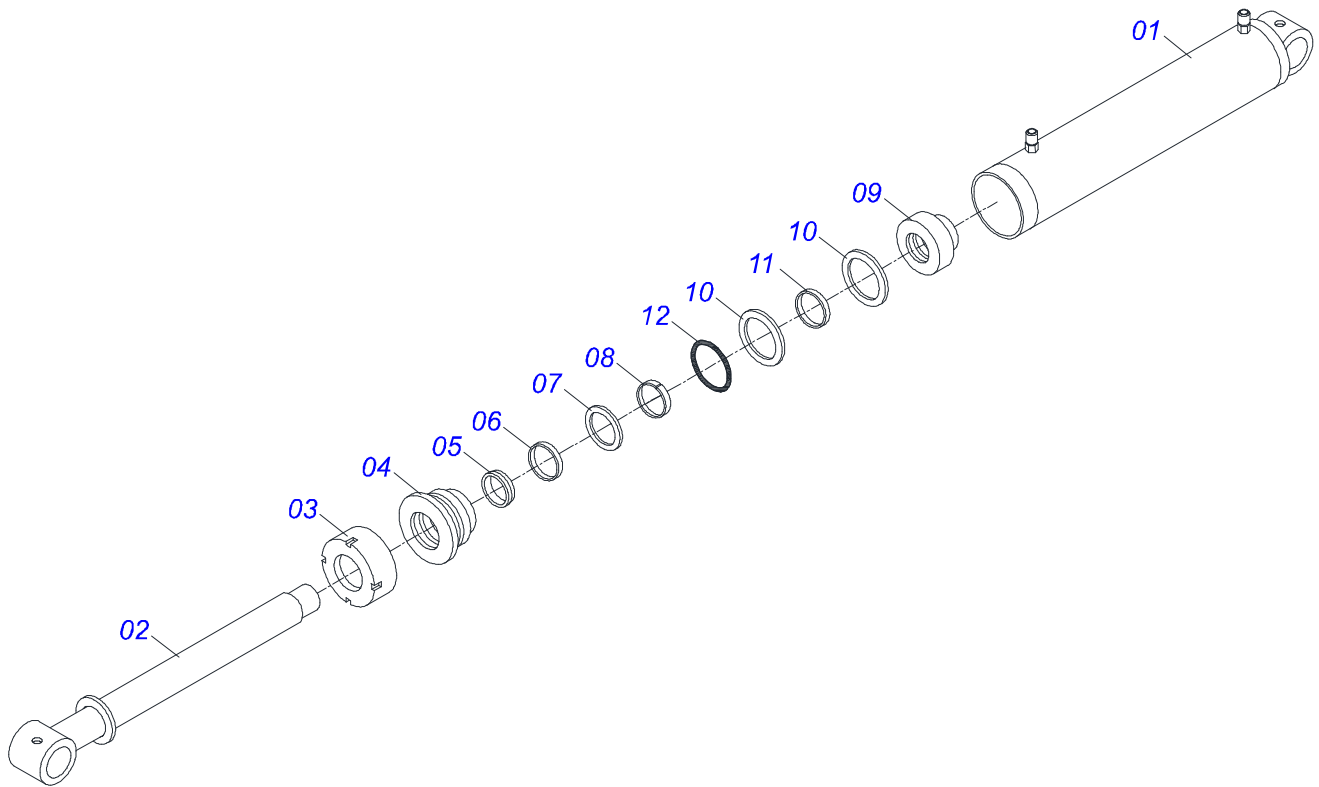
Item	Code	Description	See page	12	16
23.	0511044812	63,50 X 150 X 950 X 550 HYDRAULIC CYLINDER	5	00	01
24	0531061120	HOSE SUPPORT		01	01
25	0503010023	3/4" SPRING WASHER		24	01
26	0503013150	1300 X 3/8" CHAIN		01	01
27	0511048088	DRAWBAR JACK	6	01	01
28	0561014251	COUPLING SHAFT		01	01
29	0503030012	HITCH PIN CLIP		02	01
30	0501055696	DISCHARGE VALVE OFS ASSY	7	01	01
31	0511053004	HOSE ASSY		01	01
31A	0501080969	1/2" X 29.52" TR-TC OFS HOSE		01	01
31B	0501080986	1/2" X 55.12" TR-TC HOSE ASSY		01	01
31C	0501080917	1/2" X 216.53" TR-TM OFS HOSE		02	02
32	0501053834	MALE QUICK COUPLER	8	02	02
33	0503030923	3/4" UNF X 13/16UN OFS X 40 NIPPLE		02	02
34	0503010190	2-114 N 3006-9B O'RING		02	02
35	0503011030	2-014 N 3006-9B O'RING		06	06
36	0511034599	PLASTIC COVER WITH INSTRUCTIONS MANUAL		01	01
37	0511042161	2.1/2" ROD STOP ASSY		01	01
38	0511042162	2.1/2" ROD STOP ASSY		01	01
39	0511042163	2.1/2" ROD STOP ASSY		01	01
40	0511042164	2.1/2" ROD STOP ASSY		01	01
41	0511042165	2.1/2" ROD STOP ASSY		01	01
42	0511042166	2.1/2" ROD STOP ASSY		01	01
43	0501316941	KEY 2.1/8 AND 2.1/2		02	02
44	0501011432	1-1/2" AND 1-5/8 GANG BOLT WRENCH		01	01
45	0503016137	1-1/4" WRENCH CABLE CYLINDER		01	01
46	0501069343	WRENCH FIXER		01	01
47	0521011722	FLAT WASHER		01	01
48	0501069350	230 PIVOT SHAFT WITH PULL		01	01
49	0503031035	HITCH PIN CLIP		01	02
50	0541011899	2.9" X 20" COUPLING SHAFT		04	04
51	0511013244	FLAT WASHER		08	08
52	0503013635	1" NUT		16	16
53	0503012660	1" X 4" BOLT		08	08
54	0541011205	DRAWBAR LOCK SAFETY		02	02
55	0521010573	0.9" X 3.1" COUPLING SHAFT		02	02
56	0503010523	1/4 X 2 SPLIT PIN		01	01
57	0503010002	1800 GREASE FITTING		14	14
58	0531018099	37,50 X 190 COUPLING SHAFT		02	02
59	0501011301	1.1/2" UNC 6FPP 2.5/16" NUT		04	04
60	0503010010	1/4" X 2.1/2" SPLIT PIN		04	04
61	0531018100	37,50 X 200 COUPLING SHAFT		02	02
62		DISC GANG ASSY	9		



Item	Code	Description	See page	QT
01	0511064669	DRAWBAR ASSY		01
02	0502040263	HITCH LOCK RING		01
03	0561017306	COUPLING SHAFT		01
04	0503010523	1/4 X 2 SPLIT PIN		01
05	0511064659	UPPER PLATE		01
06	0511064658	LOWER PLATE		01
07	0521011880	37,5 X 242 COUPLING SHAFT		06
08	0501011301	1.1/2" UNC 6FPP 2.5/16" NUT		06
09	0503010010	1/4" X 2.1/2" SPLIT PIN		06
10	0501012916	FLAT WASHER 40 X 66 X 4,75 ZN		06
11	1902040897	TRACTOR HITCH		01
12	0503031741	1.8" X 11.4" 0.3" TRACTION SPRING		01
13	0531061607	SPRING REGULATOR		01
14	0503030285	HITCH PIN CLIP		01
15	0502040558	2" CASTLE NUT		01
16	0531061122	AXIS ARTICULATOR		01
17	0531040171	HITCH ASSY	3	01
18	0503010589	1/2" UNC SELF ADJUSTING NUT		01
19	0501010937	13,50 X 28 X 3,00 FLAT WASHER		01
20	0591014554	REAR SUPPORT FIXING SPRING		01
21	0503010740	BOLT 1/2 UNC X 2 CS G.5 ZN		01
22	0503010074	3/8" X 4" SPLIT PIN		01
23	0591014558	SPRING REGULATOR FIXER AXLE		01
24	0591013086	SLEEVE 52,8 X 78 X 76 (PIN 2")		01
25	0591014552	SLEEVE		01

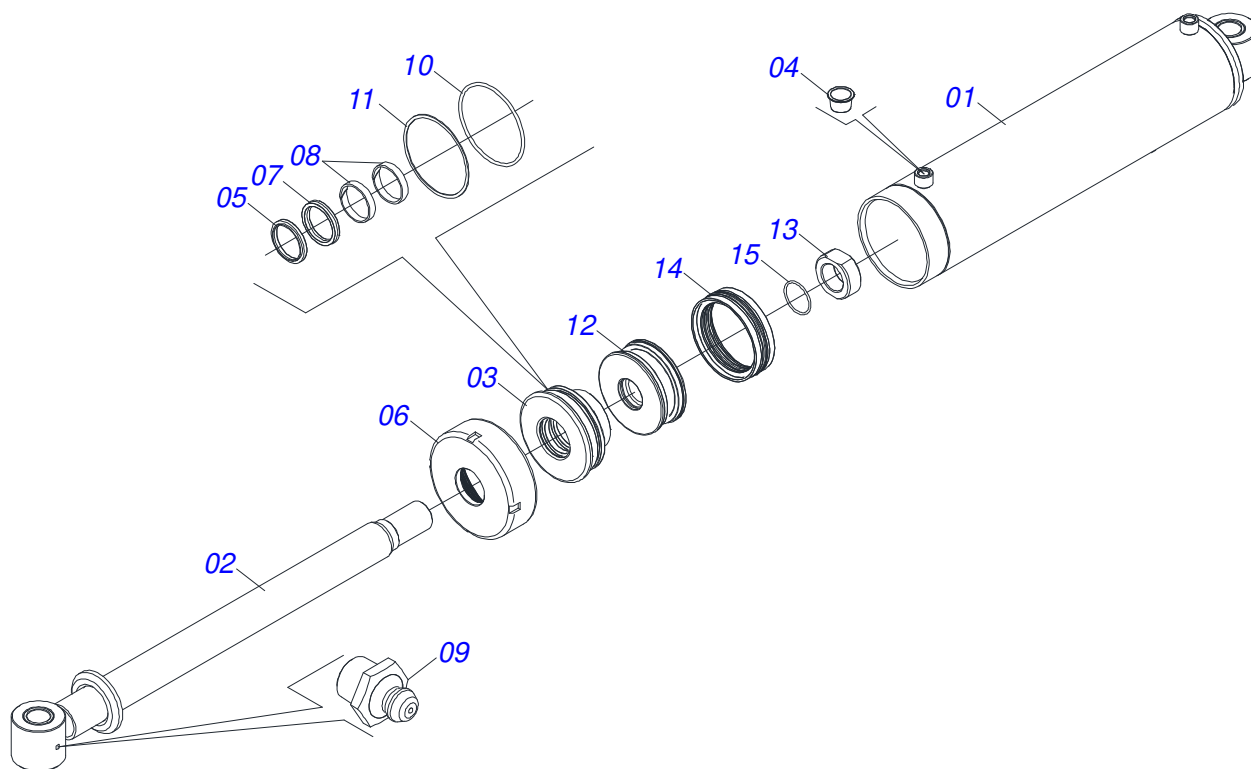


Item	Code	Description	See page	QT
01	0503010002	1800 GREASE FITTING		01
02	0531061121	HITCH		01
03	0503018829	NYLON CLAMP 7,8 X 1,8 X 390 MM		01
04	0503010589	1/2" UNC SELF ADJUSTING NUT		01
05	0501010937	13,50 X 28 X 3,00 FLAT WASHER		01
06	0591014555	FRONT SUPPORT FIXING SPRING		01
07	0503010740	BOLT 1/2 UNC X 2 CS G.5 ZN		01
08	0591013448	SLEEVE 65,50 X 78 X 76 (PIN 2.1/2")		01

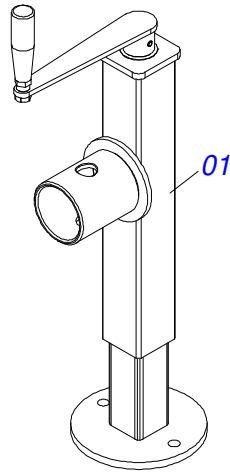


Item	Code	Description	See page	QT
01	0511065971	150 X 470 CYLINDER CASE		01
02	0511065972	63,50 X 662 TURNBUCKLE		01
03	0541010615	MOVABLE COVER		01
04	0502012375	TURNBUCKLE GUIDE		01
05	0503010287	D-2500 SCRAPER RING		01
06	0503012497	RING (TEFLON)		01
07	0503010288	PACKING 2500-2500-375-B		01
08	0503010971	W2-2750-500 PK RING G.I		01
09	0502012319	150 PISTON		01
10	0503013441	OE PACKING 150		02
11	0503012825	RING (TEFLON) CH 61100		01
12	0503010704	2-357 N 3006-9B O'RING		01
13	0501034665	HYDRAULIC CYLINDER REPAIR KIT		01

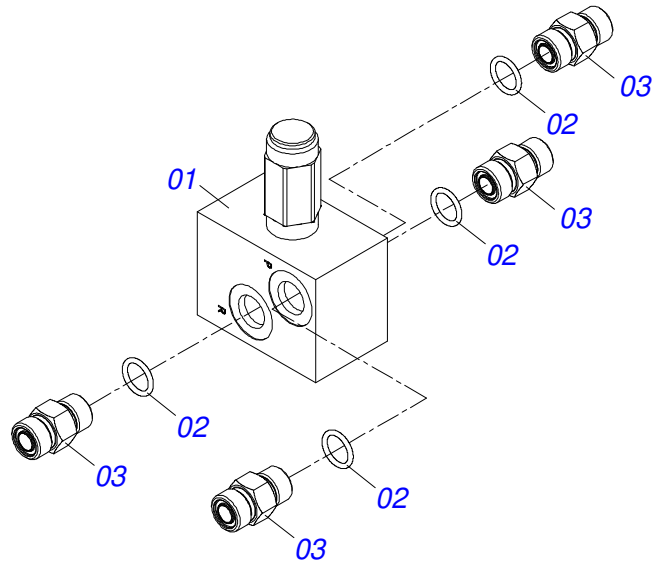




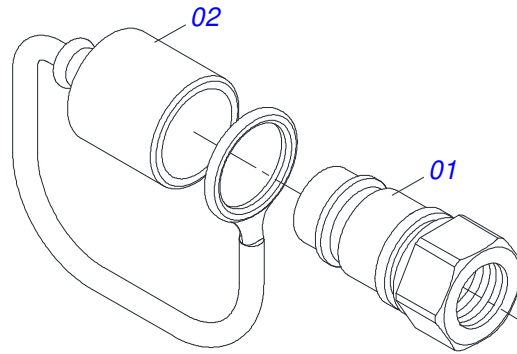
Item	Code	Description	See page	QT
01	0511067335	150 X 710 CYLINDER CASE		01
02	0521069121	TURNBUCKLE 63,50 X 889		01
03	0581018237	RING SUPPORT 63.50 X 150 X 80		01
04	0503030384	PLUG N-001		02
05	0503010287	D-2500 SCRAPER RING		01
06	0541010615	MOVABLE COVER		01
07	0503014960	GASKET		01
08	0503010971	W2-2750-500 PK RING G.I		02
09	0503010002	1800 GREASE FITTING		02
10	0503010704	2-357 N 3006-9B O'RING		01
11	0503019286	BACK-UP RING 8-357		01
12	0581018236	PISTON 150 X 57		01
13	0581018235	10 X 30 NUT		01
14	0503015912	SELEMASTER SEALING		01
15	0503019098	O' RING 2-227 N 3006-90B		01



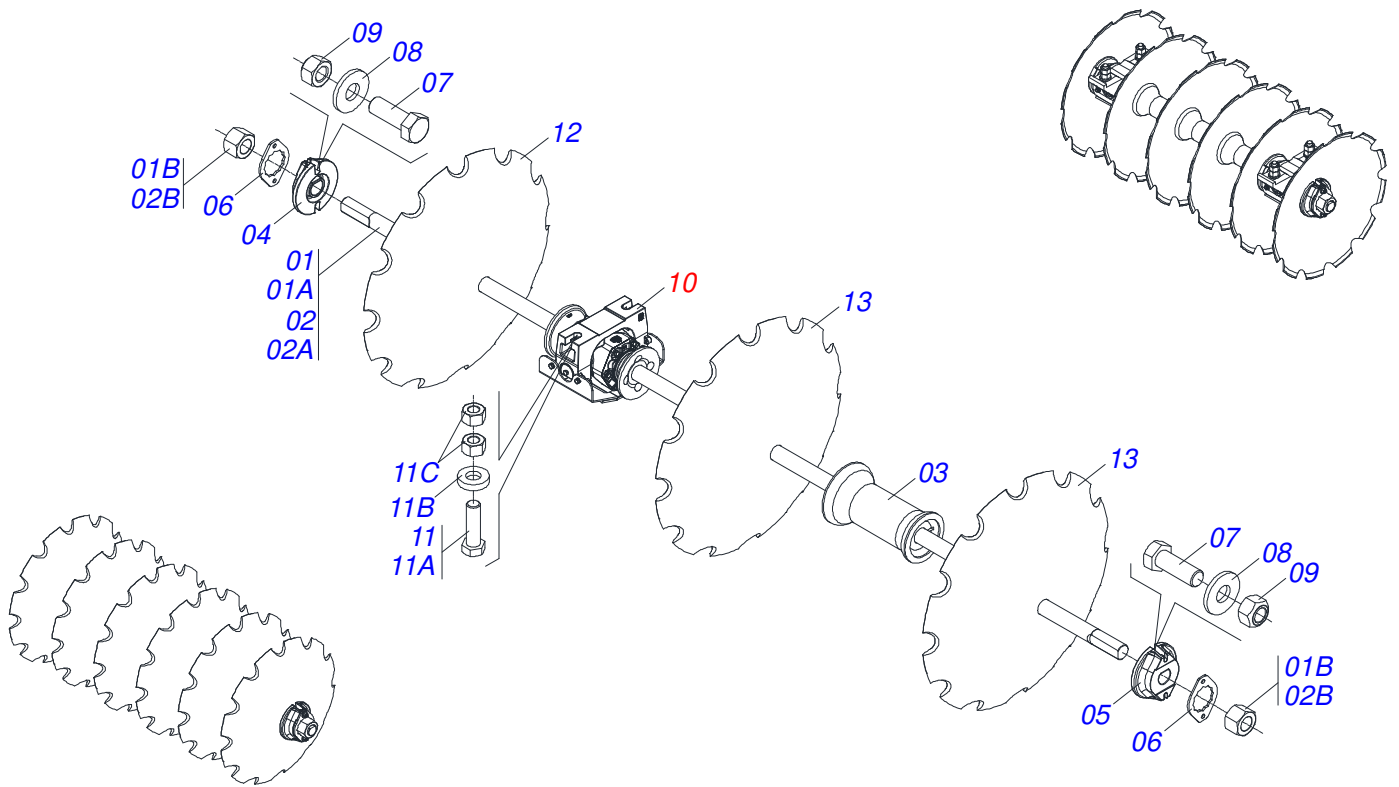
Item	Code	Description	See page	QT
01	0503062227	DRAWBAR JACK		01



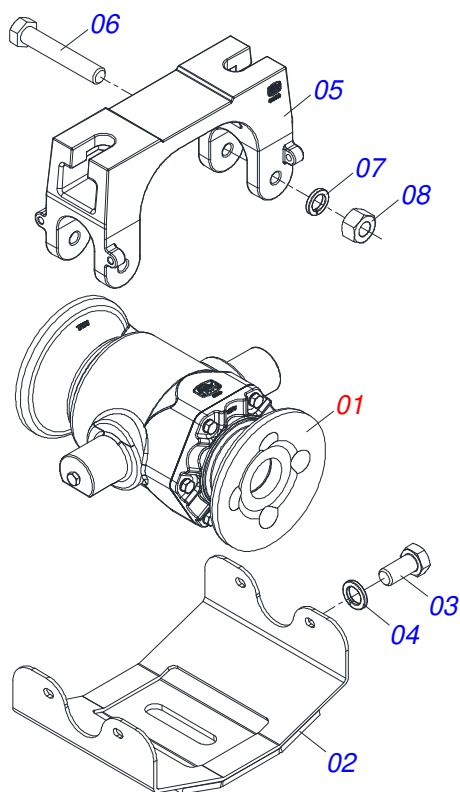
Item	Code	Description	See page	QT
01	0503010919	DISCHARGE VALVE		01
02	0503010190	2-114 N 3006-9B O'RING		04
03	0503030923	3/4" UNF X 13/16UN OFS X 40 NIPPLE		04



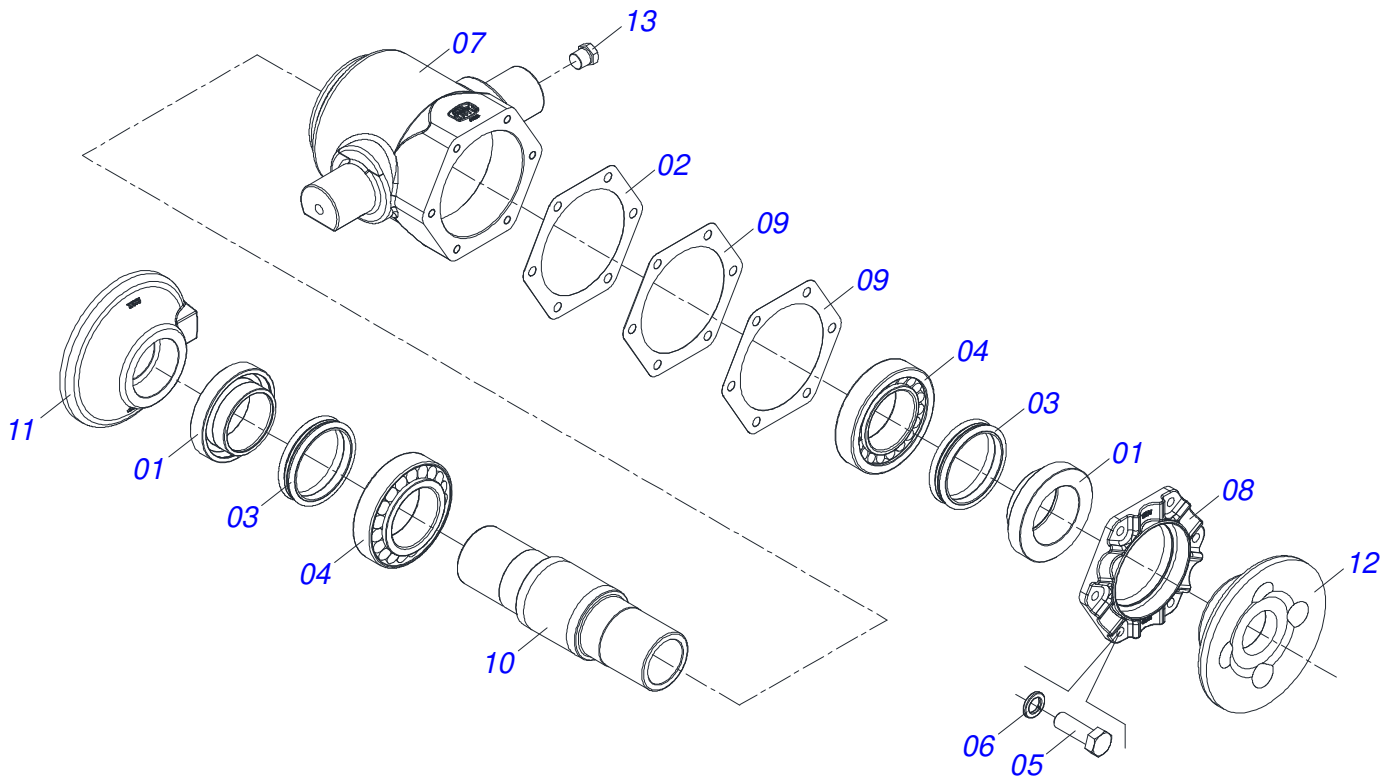
Item	Code	Description	See page	QT
01	0503011627	MALE QUICK COUPLER AGR 1/2 NPT		01
02	0503011882	MALE QUICK COUPLER CAP		01



Item	Code	Description	See page	12	16
01	0501040691	2-1/2" X 97" AXLE WITH NUTS		02	00
01A	0501010356	2-1/2" X 97" AXLE		01	00
01B	0502040064	2-1/2" SNC X 70 99 NUT		02	00
02	0501040693	2.1/2" X 63" AXLE WITH NUTS		00	04
02A	0501010358	2.1/2" X 63" AXLE		00	01
02B	0502040064	2-1/2" SNC X 70 99 NUT		00	02
03	0502012220	2.1/2" X 17" SPACER		06	04
04	0502010592	2-1/2" INNER AXLE WASHER		02	04
05	0502010593	2-1/2" EXTERNAL AXLE WASHER		02	04
06	0541010368	NUT LOCK		04	08
07	0503010232	5/8" X 1.3/4" BOLT		08	16
08	0501012140	FLAT WASHER 16,50 X 40 X 4,00 ZN		08	16
09	0503012412	5/8" UNC SELF LOCKING NUT		08	16
10	0531041571	430 X 2.1/2 DMO BEARING WITH PROTECTION 10 SUPPORT		04	08
11	0531040741	1-1/4" UNC X 5 BOLT ASSY		08	16
11A	0503011347	1-1/4" X 5" BOLT		01	01
11B	0571010448	32,50 X 75 X 16 SLEEVE		01	01
11C	0501010087	1.1/4" NUT		02	02
12	0602048062	DR 36 X 12 C130AF04FR2.9/16 12REC		12	00
12.	0602046002	DR 34 X 12,00 C120AF04FR2.9/16 12R		12	00
12..	0602050016	DR 38 X 12 C140AF04FR2.9/16 12REC		12	16
12...	0602051003	DR 40 X 12,00 C143AF04FR2.9/16 12R		12	16
13	0602048051	DR 36 X 12 C123AF04FR2.9/16 12REC		00	16
13.	0602044201	32" X 0.5" NOTCHED DISC BLADE		12	00
13..	0602052022	42" X 12MM NOTCHED DISK		12	00
13...	0602044004	DR 32 X 12,00 C115AF04FR2.9/16 10R		00	16



Item	Code	Description	See page	QT
01	0531052794	430 X 2.1/2 DMO BEARING	11	01
02	0531062887	PROTECTION CAP		01
03	0503010834	1/2 X 1 BOLT		04
04	0503010019	1/2" SPRING WASHER		04
05	0502013003	2.3/4 BEARING SUPPORT		01
06	0503011198	BOLT 3/4" UNC X 6" CS G.5		02
07	0503010023	3/4" SPRING WASHER		02
08	0503010014	3/4" ZN G.5 (HEAVY) UNC HEX NUT		02



Item	Code	Description	See page	QT
01	0502040119	SEAL RETAINER		02
02	0503035599	205 X 160,5 X 0,20 SEAL GASKET		01
03	0503030029	RETAINER LP JB-259		02
04	0503013243	32218 ROLLER BEARING		02
05	0503010920	1/2 UNC X 1.1/2 C S G.5 ZN BOLT		06
06	0503011440	SPRING WASHER		06
07	0502013002	BEARING HUB		01
08	0502013005	BEARING HUB LID		01
09	0503035600	205 X 160,5 X 0,40 SEAL GASKET		02
10	0502040039	AXLE		01
11	0502040165	INNER FLANGE		01
12	0502040164	OUTER FLANGE		01
13	0503010856	OIL PLUG R 3/8 BSPT		02



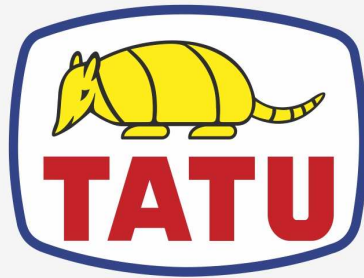
# ANNOTATION



Multiple horizontal lines for writing annotations.







**MARCHESAN**

**Technical Publications | Elaboration and Revision**

ALESSANDRA PATRICIA KAWAHARA CARRILI

[www.marchesan.com.br](http://www.marchesan.com.br)

