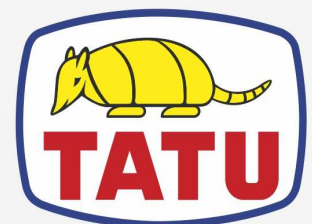


OFFSET DISK HARROW

GAPM-HD 8013 - 16/24D
GAPM-HD 8013 - 16/24D

Code: 0501093750
Series: S-1123
Revision: 00
Revision Date: JANUARY/2024

PARTS CATALOGUE



MARCHESAN



PRODUCTS

Code	Working Width	Description
0102050256		GAPM-HD 8013 16X32X12 DR DMO E 2.1/2 S-1123
0102050257		GAPM-HD 8013 24X34X9,00 DL DMO E 2.1/2 ESP S-1123

ATTENTION: IMPORTANT

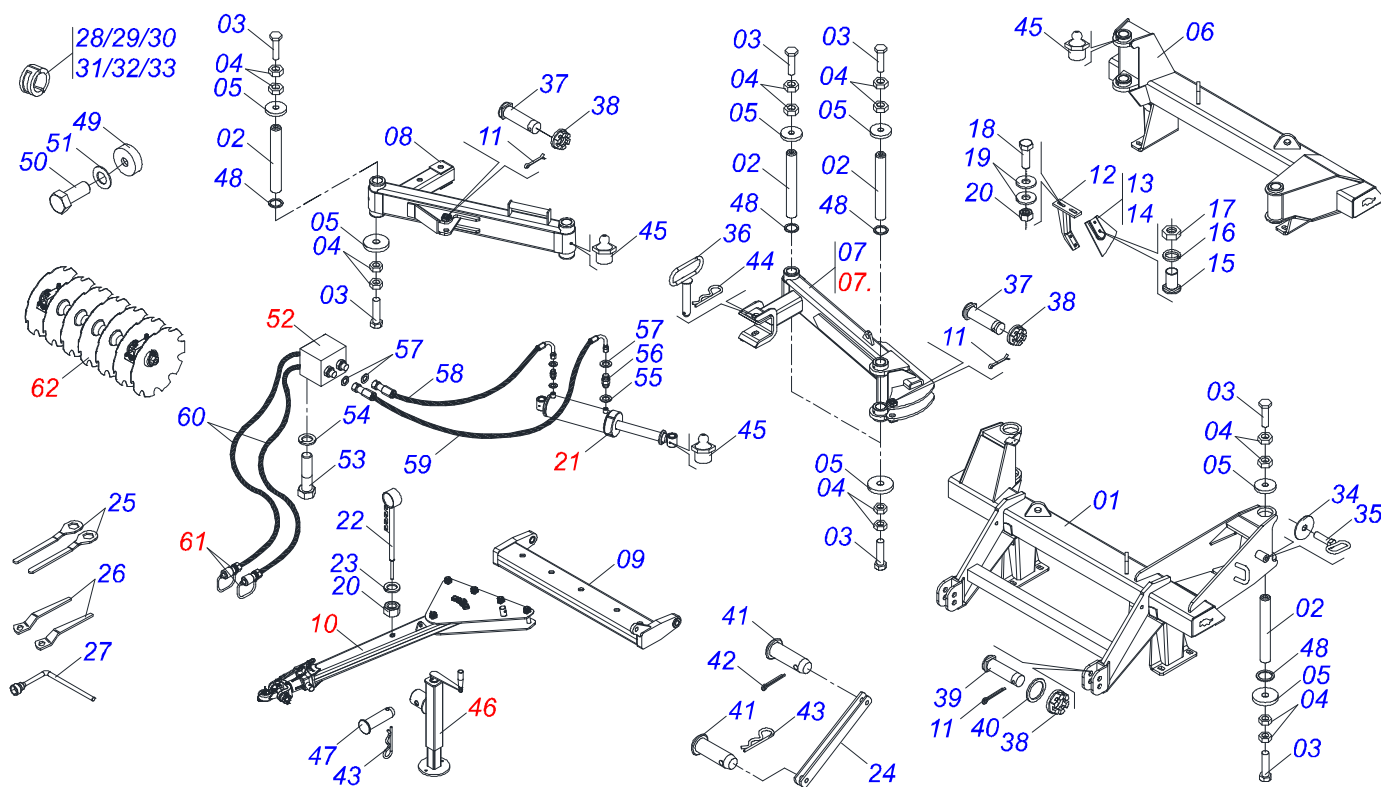
Marchesan S.A. reserves the right to improve and/or modify the technical features of its products, without obligation to do the same with those products already sold and without prior knowledge of the dealer or the customer. The photos are only illustrative.



MARCHESAN

INDEX

0909097061	FRAME ASSY	1
0511045324	COMPLETE REAR STABILIZER BAR	2
0511041592	ASSY TRACTION BAR (PIN 3)	3
0531040171	ASSY HITCH	4
0511043185	HYDRAULIC CYLINDER 63,50 X 150 X 770 X 310	5
0511045489	63,5 X 127 X 890 X 605 HYDRAULIC CIRCUIT	6
0511048088	DRAWBAR JACK	7
0501055696	DISCHARGE VALVE OFS ASSY	8
0501053834	MALE QUICK COUPLER	9
0909097062	ASSY DISC GANG	10
0531041672	330 X 2.1/2 BEARING	11
0531053201	BEARING	12



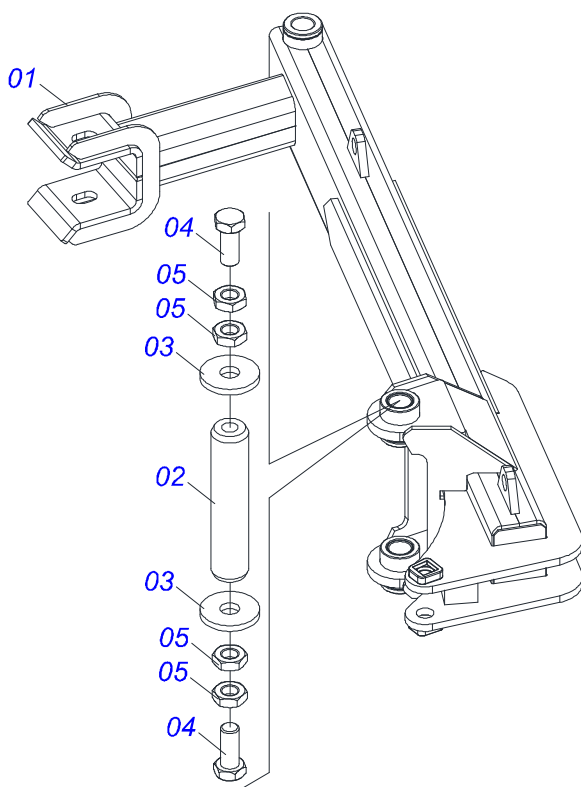
Item	Code	Description	See page	016	024
01	0511067830	16D - FRONT FRAME		001	000
01.	0511067834	24D - FRONT FRAME		000	001
02	0541011899	2.9" X 20" COUPLING SHAFT		004	000
02.	0521011569	20" COUPLING SHAFT		000	004
03	0503012660	1" X 4" BOLT		008	008
04	0503013635	1" NUT		016	016
05	0511013244	FLAT WASHER		008	000
05.	0521011565	FLAT WASHER		000	008
06	0511067831	16D - REAR FRAME		001	000
06.	0511067835	24D - REAR FRAME		000	001
07	0511067488	REAR STABILIZER BAR		001	000
07.	0511045324	COMPLETE REAR STABILIZER BAR	2	000	001
08	0511067487	FRONT STABILIZER BAR		001	000
08.	0511067773	FRONT STABILIZER BAR		000	001
09	0521066793	OFFSET BAR		001	001
10	0511041592	ASSY TRACTION BAR (PIN 3)	3	001	001
11	0503010010	SPLIT PIN 1/4" X 2.1/2"		004	004
12	0511064771	FRONT SCRAPER SUPPORT		016	024
13	0521013678	FRONT CLEANER		008	012
14	0521013679	REAR CLEANER		008	012
15	0503012195	5/8" NUT		032	048
16	0503010027	5/8 SPRING WASHER		032	048
17	0503010013	5/8" UNC G.5 ZN HEX NUT		032	048
18	0501010500	3/4" X 3" BOLT		032	048
19	0541010763	FLAT WASHER		064	096
20	0503010014	3/4" ZN G.5 (HEAVY) UNC HEX NUT		032	048
21	0511043185	HYDRAULIC CYLINDER 63,50 X 150 X 770 X 310	5	001	000
21.	0511045489	63,5 X 127 X 890 X 605 HYDRAULIC CIRCUIT	6	000	001
22	0531061120	HOSE SUPPORT		001	001
23	0503010023	3/4" SPRING WASHER		001	001



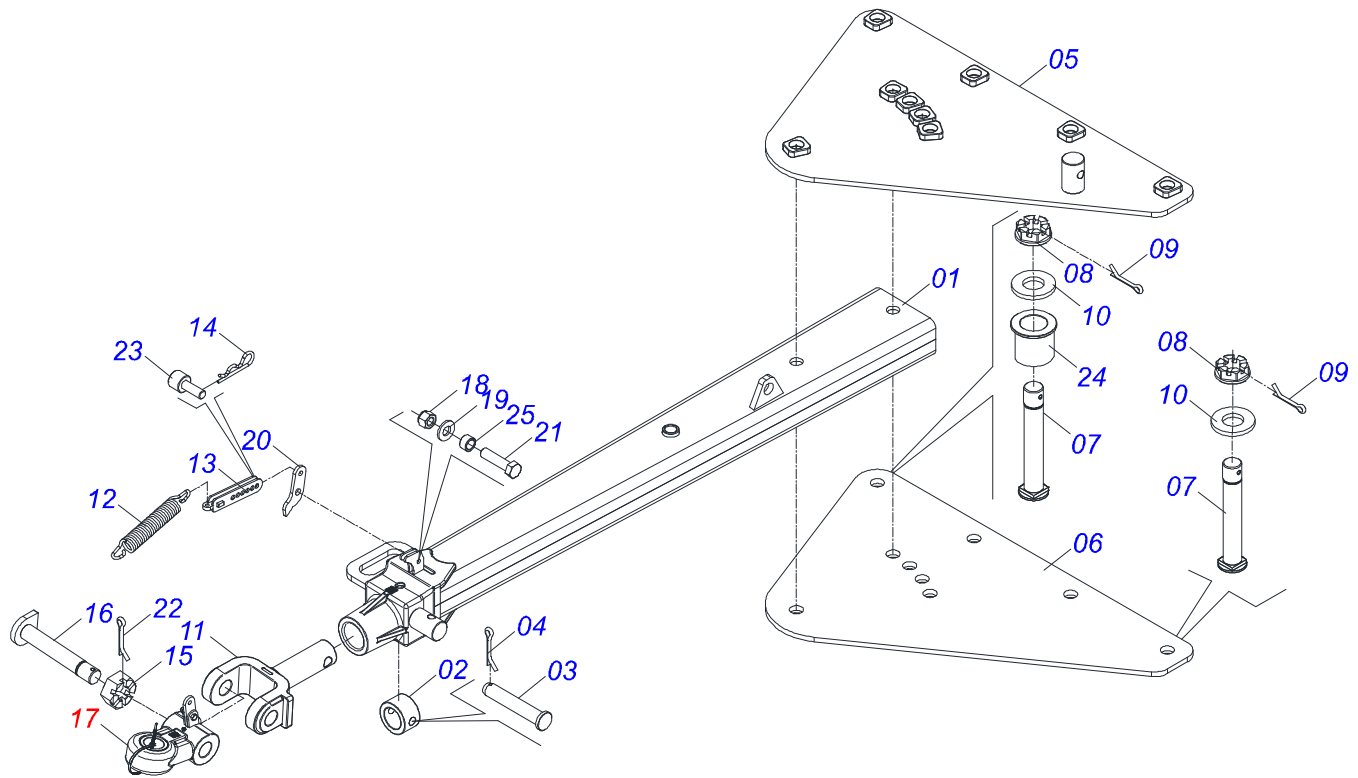
FRAME ASSY

0909097061

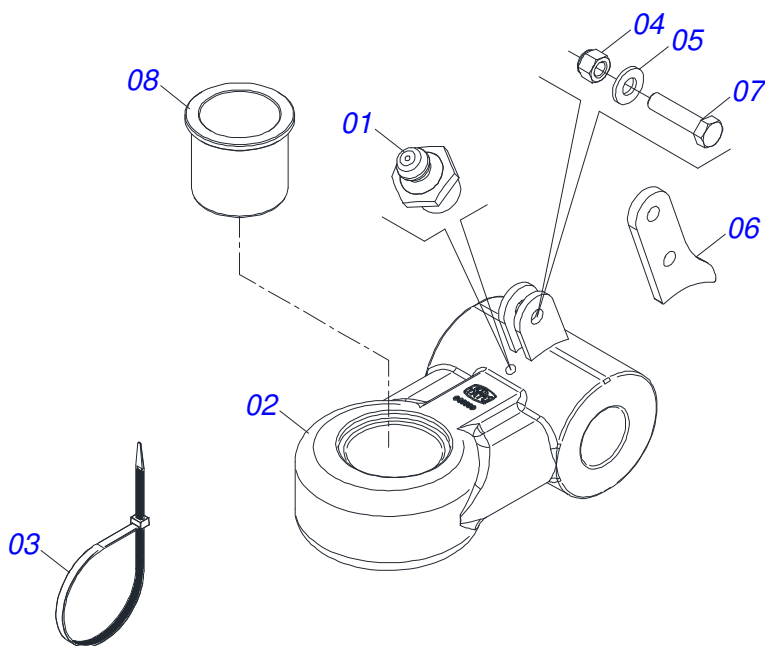
Item	Code	Description	See page	016	024
24	0541011205	DRAWBAR LOCK SAFETY		002	002
25	0501316941	KEY 2.1/8 AND 2.1/2		002	002
26	0501011432	1-1/2" AND 1-5/8 GANG BOLT WRENCH		001	001
27	0503016137	1-1/4" WRENCH CABLE CYLINDER		001	001
28	0511042161	2.1/2" ROD STOP ASSY		001	001
29	0511042162	2.1/2" ROD STOP ASSY		001	001
30	0511042163	2.1/2" ROD STOP ASSY		001	001
31	0511042164	2.1/2" ROD STOP ASSY		001	001
32	0511042165	2.1/2" ROD STOP ASSY		001	001
33	0511042166	2.1/2" ROD STOP ASSY		001	001
34	0521011722	FLAT WASHER		001	001
35	0501069343	WRENCH FIXER		001	001
36	0501069350	230 PIVOT SHAFT WITH PULL		001	001
37	0531018100	37,50 X 200 COUPLING SHAFT		002	002
38	0501011301	1.1/2" UNC 6FPP 2.5/16" NUT		004	004
39	0531018099	37,50 X 190 COUPLING SHAFT		002	002
40	0521011721	1.6" X 3.94" X 0.12" WASHER		002	002
41	0521010573	0.9" X 3.1" COUPLING SHAFT		002	002
42	0503010571	1/4" X 1.1/2" SPLIT PIN		001	001
43	0503030012	HITCH PIN CLIP		001	001
44	0503031035	HITCH PIN CLIP		001	001
45	0503010002	1800 GREASE FITTING		014	014
46	0511048088	DRAWBAR JACK	7	001	001
47	0541011345	16 X 68 PLUGER		001	001
48	0541011534	FLAT WASHER		004	005
49	0521011481	FRAME BATTERY		001	001
50	0501010108	5/8" X 1" BOLT		001	001
51	0501012140	FLAT WASHER 16,50 X 40 X 4,00 ZN		001	001
52	0501055696	DISCHARGE VALVE OFS ASSY	8	001	001
53	0503010237	3/8" X 1" BOLT		002	002
54	0503010025	3/8 SPRING WASHER		002	002
55	0503010190	2-114 N 3006-9B O'RING		002	002
56	0503030923	3/4" UNF X 13/16UN OFS X 40 NIPPLE		002	002
57	0503011030	2-014 N 3006-9B O'RING		006	006
58	0501080969	1/2" X 29.52" TR-TC OFS HOSE		001	000
58.	0501080554	1/2" X 27.6" TR-TC OFS HOSE		000	001
59	0501081115	1/2" X 1330 TC-TR HOSE ASSY		001	000
59.	0501081054	1/2 X 1300 TR-TC TERM OFS HOSE ASSY		000	001
60	0501080917	1/2" X 216.53" TR-TM OFS HOSE		002	002
61	0501053834	MALE QUICK COUPLER	9	002	002
62		ASSY DISC GANG	10		



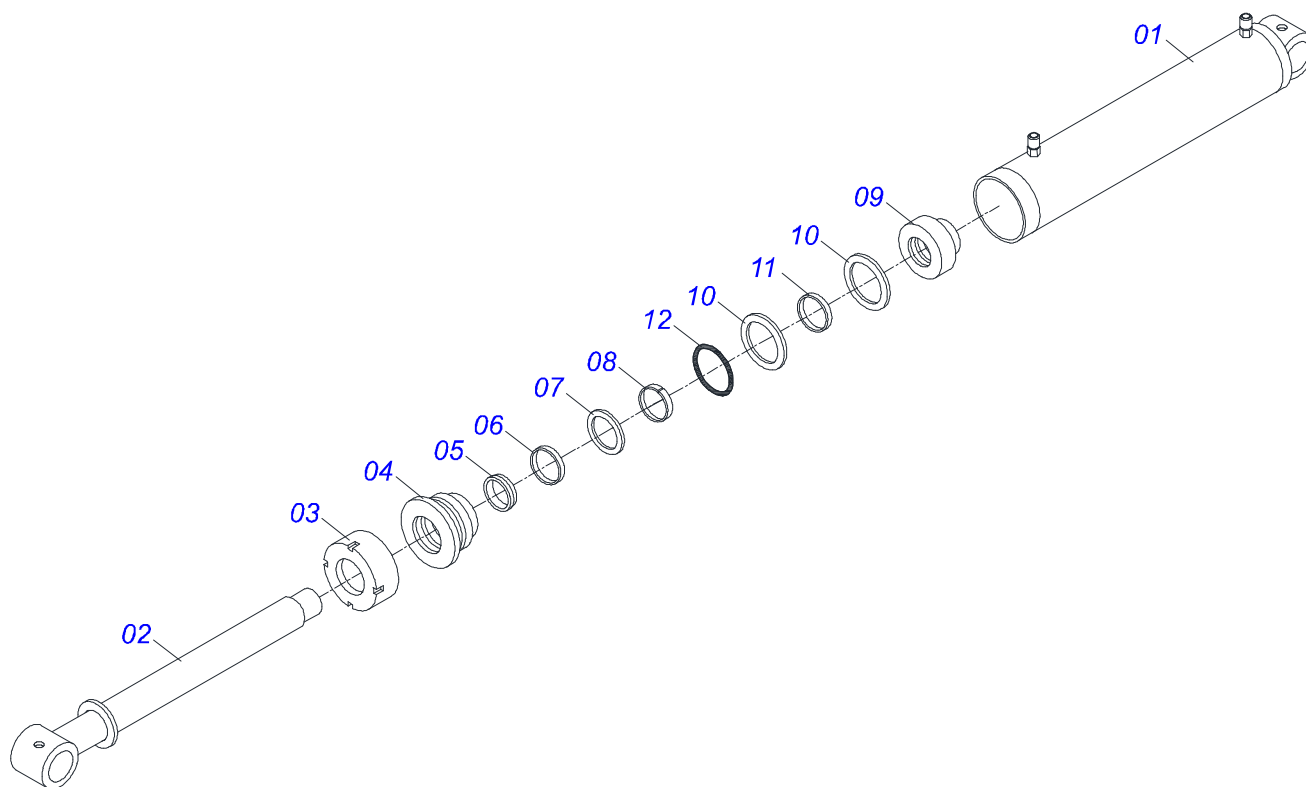
Item	Code	Description	See page	QT
01	0511067774	REAR STABILIZER BAR		01
02	0521011569	20" COUPLING SHAFT		01
03	0521011565	FLAT WASHER		02
04	0503012660	1" X 4" BOLT		02
05	0503013635	1" NUT		04



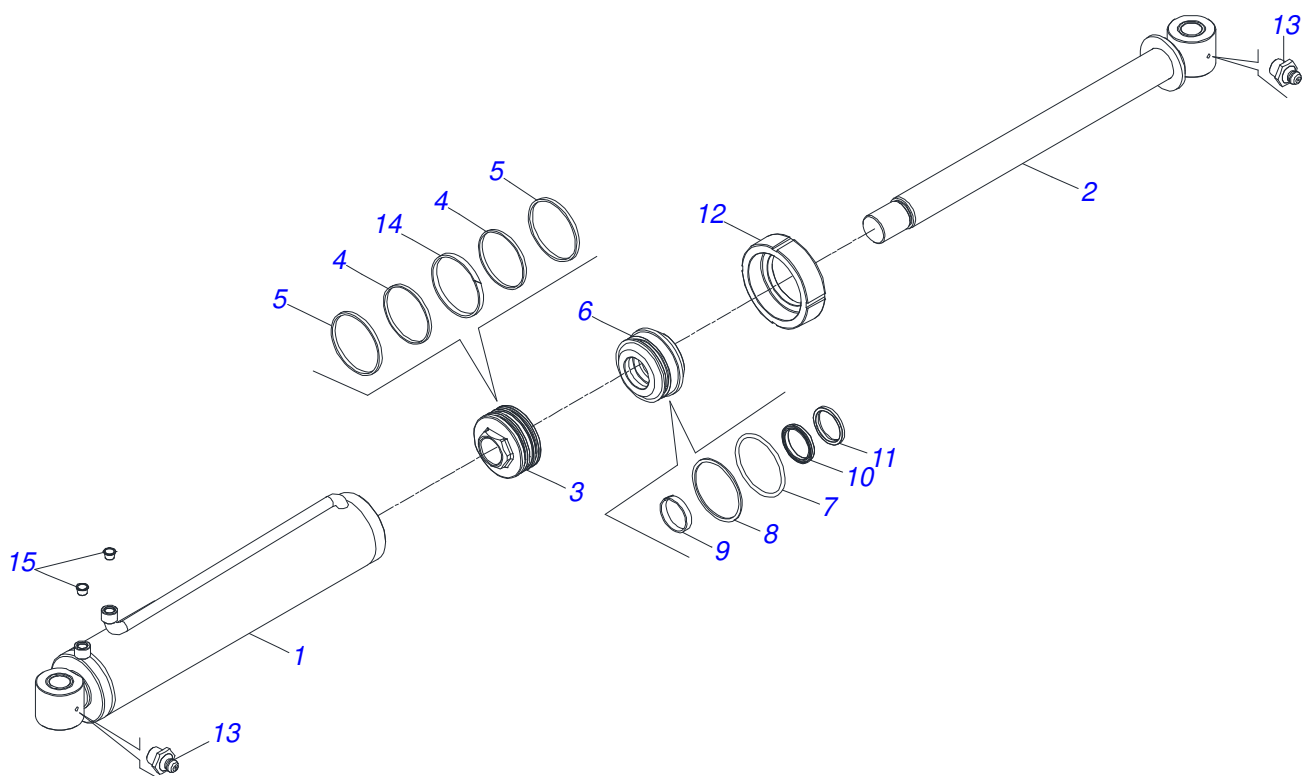
Item	Code	Description	See page	QT
01	0511064669	DRAWBAR ASSY		01
02	0502040263	HITCH LOCK RING		01
03	0561017306	COUPLING SHAFT		01
04	0503010523	1/4" X 2" SPLIT PIN		01
05	0511064659	UPPER PLATE		01
06	0511064658	LOWER PLATE		01
07	0521011880	37,5 X 242 COUPLING SHAFT		06
08	0501011301	1.1/2" UNC 6FPP 2.5/16" NUT		06
09	0503010010	SPLIT PIN 1/4" X 2.1/2"		06
10	0501012916	FLAT WASHER 40 X 66 X 4,75 ZN		06
11	1902040897	TRACTOR HITCH		01
12	0503031741	1.8" X 11.4" 0.3" TRACTION SPRING		01
13	0531061607	SPRING REGULATOR		01
14	0503030285	HITCH PIN CLIP		01
15	0502040558	2" CASTLE NUT		01
16	0531061122	AXIS ARTICULATOR		01
17	0531040171	ASSY HITCH	4	01
18	0503010589	UNC SELF ADJUSTING NUT 1/2" UNC ALTA G.5 ZN		01
19	0501010937	13,50 X 28 X 3,00 FLAT WASHER		01
20	0591014554	REAR SUPPORT FIXING SPRING		01
21	0503010740	BOLT 1/2 UNC X 2 CS G.5 ZN		01
22	0503010074	3/8" X 4" SPLIT PIN		01
23	0591014558	SPRING REGULATOR FIXER AXLE		01
24	0591013086	SLEEVE 52,8 X 78 X 76 (PIN 2")		01
25	0591014552	SLEEVE		01



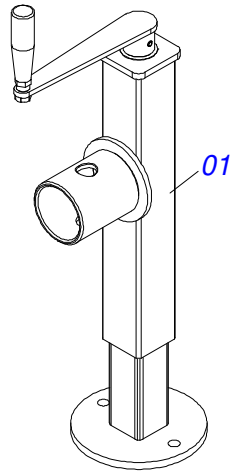
Item	Code	Description	See page	QT
01	0503010002	1800 GREASE FITTING		01
02	0531061121	HITCH		01
03	0503018829	NYLON CLAMP 7,8 X 1,8 X 390 MM		01
04	0503010589	UNC SELF ADJUSTING NUT 1/2" UNC ALTA G.5 ZN		01
05	0501010937	13,50 X 28 X 3,00 FLAT WASHER		01
06	0591014555	FRONT SUPPORT FIXING SPRING		01
07	0503010740	BOLT 1/2 UNC X 2 CS G.5 ZN		01
08	0591013448	SLEEVE 65,50 X 78 X 76 (PIN 2.1/2")		01



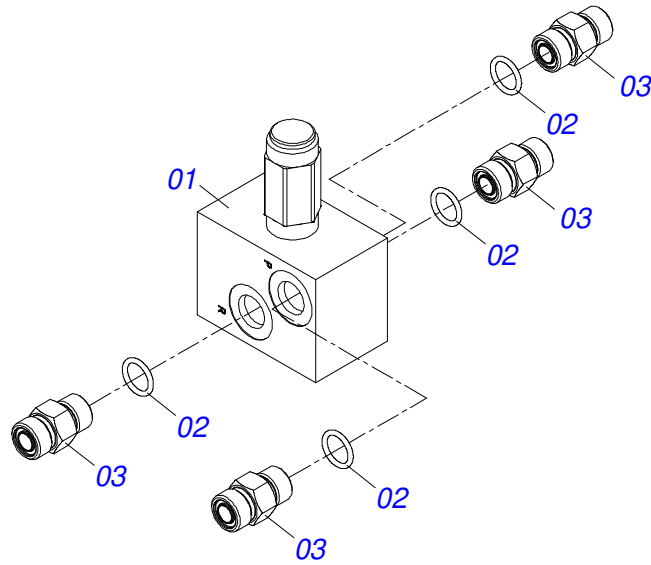
Item	Code	Description	See page	QT
01	0511065971	150 X 470 CYLINDER CASE		01
02	0511065972	63,50 X 662 TURNBUCKLE		01
03	0541010615	MOVABLE COVER		01
04	0502012375	TURNBUCKLE GUIDE		01
05	0503010287	D-2500 SCRAPER RING		01
06	0503012497	RING (TEFLON)		01
07	0503010288	PACKING 2500-2500-375-B		01
08	0503010971	W2-2750-500 PK RING G.I		01
09	0502012319	150 PISTON		01
10	0503013441	OE PACKING 150		02
11	0503012825	RING (TEFLON) CH 61100		01
12	0503010704	2-357 N 3006-9B O'RING		01
13	0501034665	HYDRAULIC CYLINDER REPAIR KIT		01



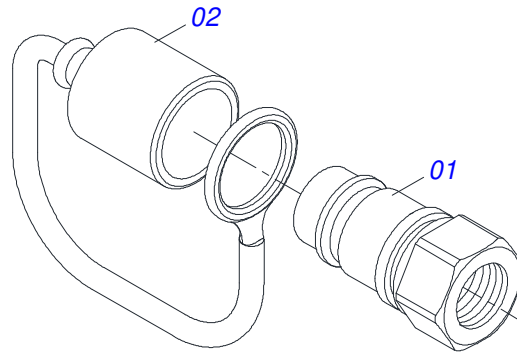
Item	Code	Description	See page	QT
01	0511068001	127 X 783 CYLINDER CASE		01
02	0511068088	63,50 X 787 TURNBUCKLE		01
03	0502011563	PISTON		01
04	0503012593	RUBBER RING		02
05	0503012592	RING (TEFLON)		02
06	0502010966	2.5" X 5" RING SUPPORT		01
07	0503010351	2-425 N 3006-9B O'RING		01
08	0503011062	8-425 BACK-UP RING		01
09	0503010971	W2-2750-500 PK RING G.I		01
10	0503010288	PACKING 2500-2500-375-B		01
11	0503010287	D-2500 SCRAPER RING		01
12	0502010382	5" END CAP		02
13	0503012590	SEAL RING		02
14	0503012590	SEAL RING		01
15	0503030384	CON PLUG N-001		02



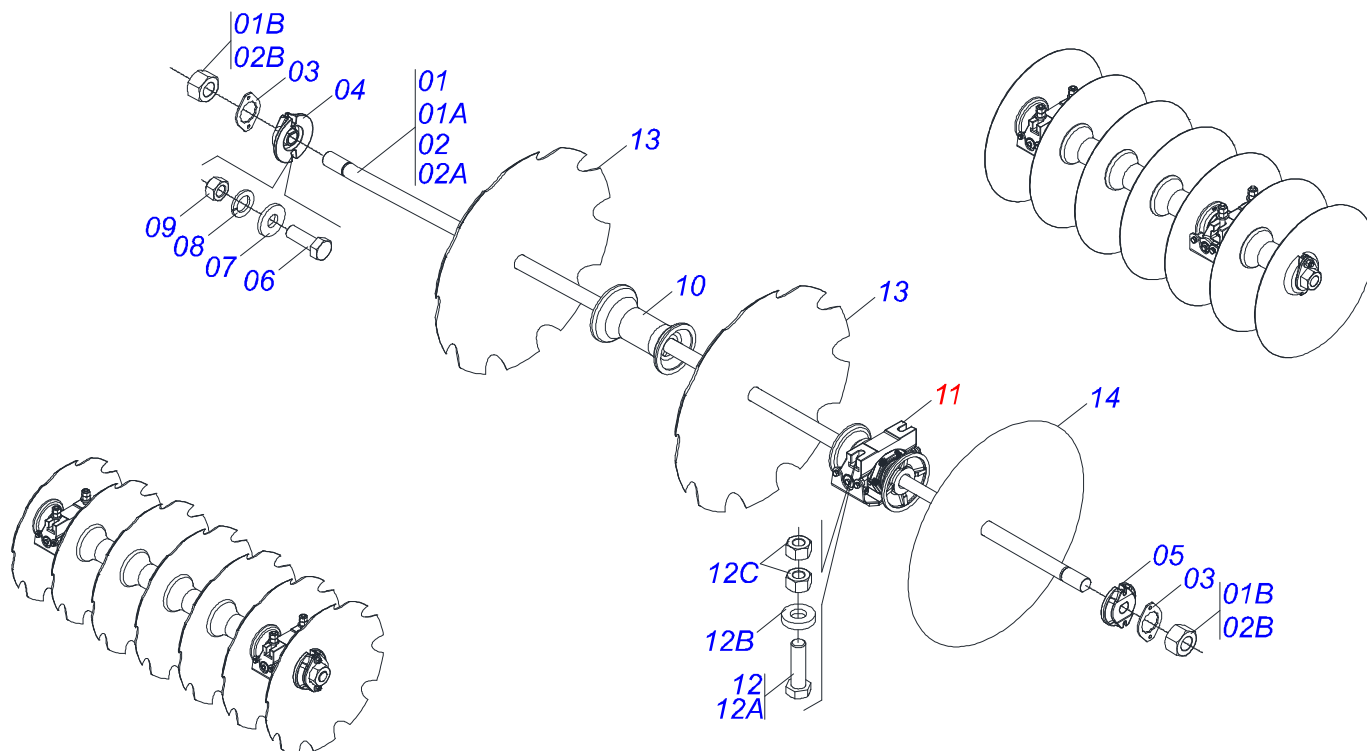
Item	Code	Description	See page	QT
01	0503062227	DRAWBAR JACK		01



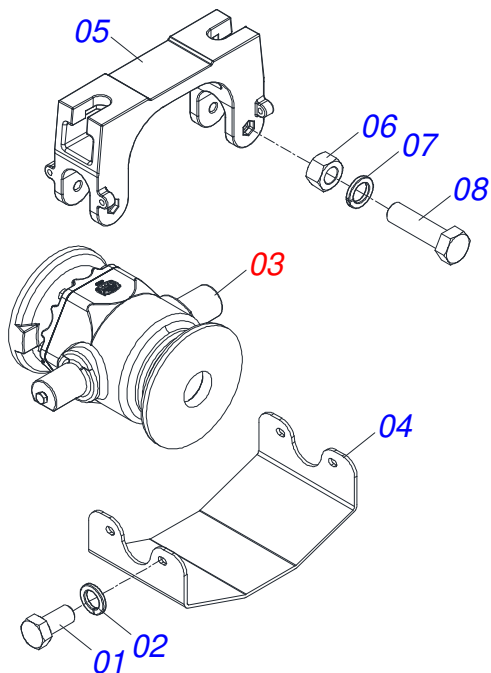
Item	Code	Description	See page	QT
01	0503010919	DISCHARGE VALVE		01
02	0503010190	2-114 N 3006-9B O'RING		04
03	0503030923	3/4" UNF X 13/16UN OFS X 40 NIPPLE		04



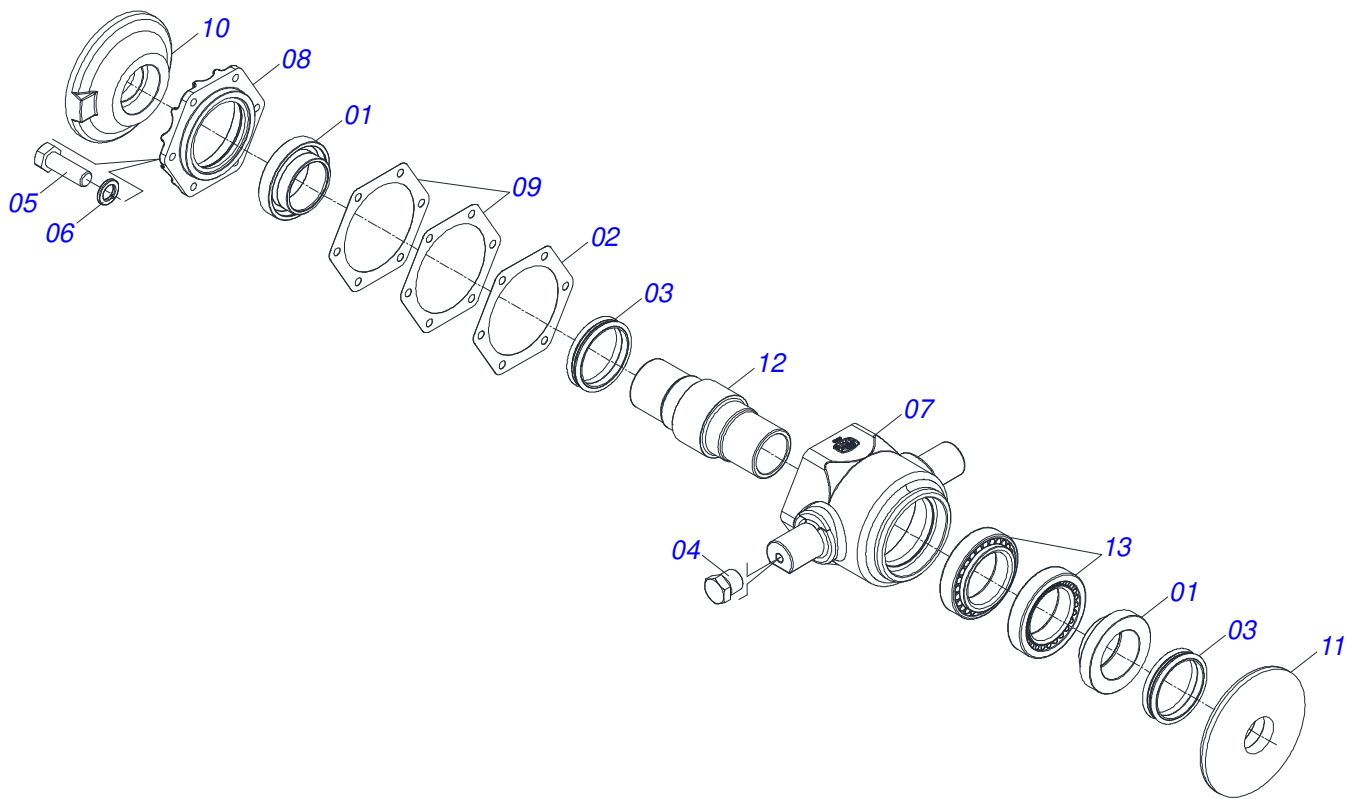
Item	Code	Description	See page	QT
01	0503011627	MALE QUICK COUPLER AGR 1/2 NPT		01
02	0503011882	MALE QUICK COUPLER CAP		01



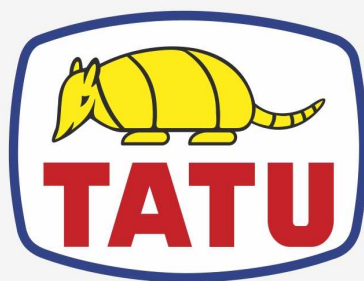
Item	Code	Description	See page	016	024
01	0511042422	2-1/2" X 105" AXLE WITH NUTS		002	000
01A	0541011894	2-1/2" X 105" AXLE		001	000
01B	0502040064	2.1/2" SNC X 70 99 NUT		002	000
02	0511042484	2-1/2" X 78" AXLE WITH NUTS		000	004
02A	0541012129	2-1/2" X 78" AXLE		000	001
02B	0502040064	2.1/2" SNC X 70 99 NUT		000	002
03	0541010368	NUT LOCK		004	008
04	0502010593	2.1/2" EXTERNAL AXLE WASHER		002	004
05	0502010592	2.1/2" INNER AXLE WASHER		002	004
06	0503010232	5/8" X 1.3/4" BOLT		008	016
07	0501012140	FLAT WASHER 16,50 X 40 X 4,00 ZN		008	016
08	0503010027	5/8 SPRING WASHER		008	016
09	0503010013	5/8" UNC G.5 ZN HEX NUT		008	016
10	0502011425	13" X 2-1/2" SPACER		008	012
11	0531041672	330 X 2.1/2 BEARING	11	008	012
12	0531040741	ASSY 1.1/4 UNC X 5 BOLT		012	016
12A	0503011347	1.1/4" X 5" BOLT		001	001
12B	0571010448	32,50 X 75 X 16 SLEEVE		001	001
12C	0501010087	1.1/4" NUT		002	002
13	0602044201	32" X 0.5" NOTCHED DISC BLADE		016	000
14	0601046002	DL34X9 C120AF04FR2.9/16 TATU		000	024



Item	Code	Description	See page	QT
01	0503010834	1/2 X 1 BOLT		04
02	0503010019	1/2" SPRING WASHER		04
03	0531053201	BEARING	12	01
04	0591011532	OSCILLATING BEARING COVER		01
05	0502013022	CENTRAL OSCILLATING BEARING SUPPORT		01
06	0503010013	5/8" UNC G.5 ZN HEX NUT		02
07	0503010027	5/8 SPRING WASHER		02
08	0503010480	5/8" X 4.3/4" BOLT		02



Item	Code	Description	See page	QT
01	0502040119	SEAL RETAINER		02
02	0503035599	205 X 160,5 X 0,20 SEAL GASKET		01
03	0503030029	RETAINER LP JB-259		02
04	0503010856	OIL PLUG R 3/8 BSPT		02
05	0503010920	1/2 UNC X 1.1/2 C S G.5 ZN BOLT		06
06	0503011440	SPRING WASHER		06
07	0502013021	BEARING BOX		01
08	0502013005	BEARING HUB LID		01
09	0503035600	205 X 160,5 X 0,40 SEAL GASKET		02
10	0502012239	BEARING OUTER FLANGE		01
11	0502012238	BEARING INNER FLANGE		01
12	0502040204	AXLE		01
13	0503010482	594A/592A ROLLER BEARING		02
14	3402301275	TATU OIL		0.65 Lts



MARCHESAN

Technical Publications | Elaboration and Revision

ALESSANDRA PATRICIA KAWAHARA CARRILI

www.marchesan.com.br

