

**OFFSET DISK HARROW**

**GAPM 12D COUNTERWEIGHT BOX  
GAPM 12D COM CAIXA CONTRAPESO**

**Code:** 0501093749  
**Series:** S-1123  
**Revision:** 00  
**Revision Date:** DECEMBER/2023

# PARTS CATALOGUE



**MARCHESAN**



# PRODUCTS

Code	Working Width	Description
0102050248		GAPM 12X32X9,0 DR DMO E 2.1/8 C/CX CONTR P S-1123

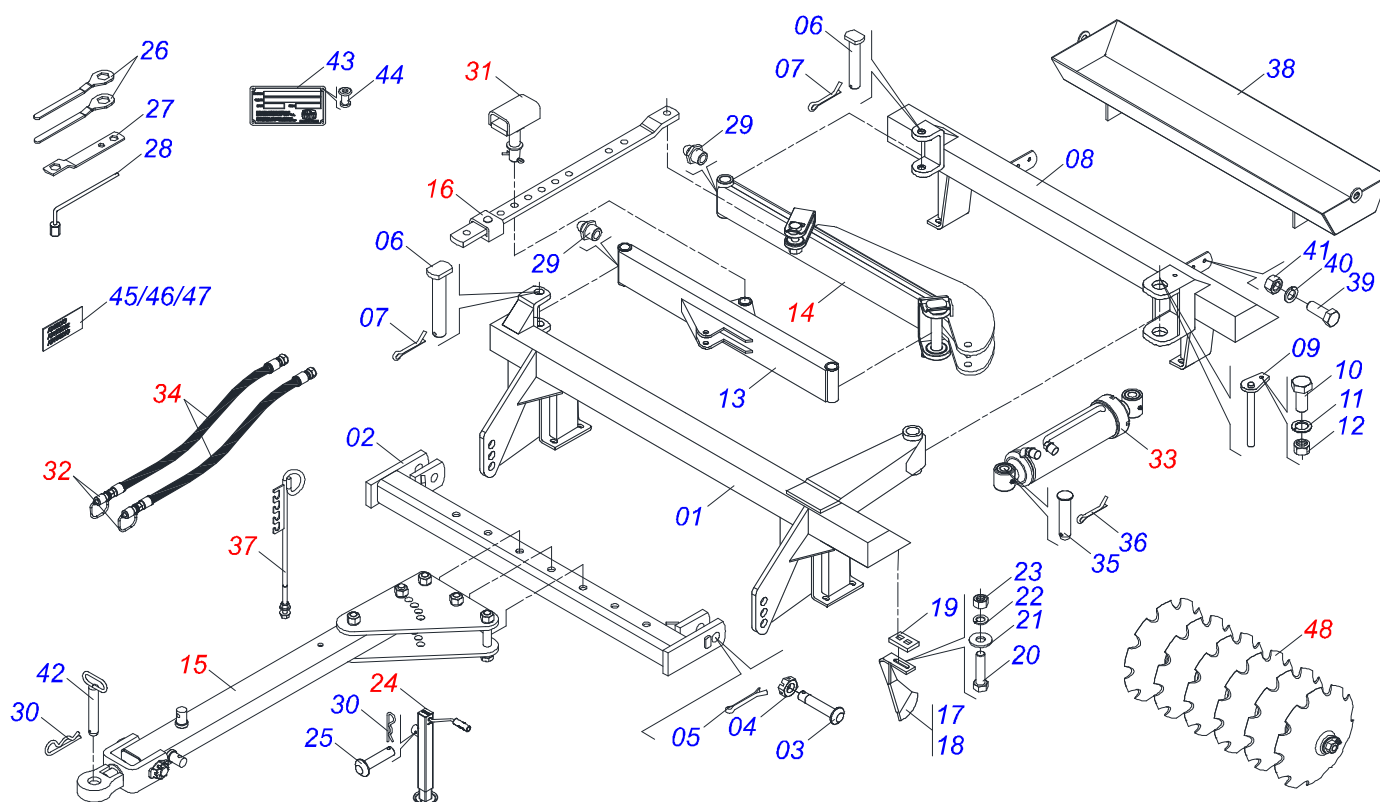
## ATTENTION: IMPORTANT

Marchesan S.A. reserves the right to improve and/or modify the technical features of its products, without obligation to do the same with those products already sold and without prior knowledge of the dealer or the customer. The photos are only illustrative.



# INDEX

0909096997	ASSY FRAME	.....	1
0501041219	REAR STABILIZER BAR ASSY	.....	2
0501041215	DRAWBAR ASSY	.....	3
0501041859	ADJUSTMENT BAR ASSY	.....	4
0503062157	DRAWBAR JACK	.....	5
0501041199	ADJUSTMENT BODY ASSY	.....	6
0501053834	MALE QUICK COUPLER	.....	7
0511059185	HYDRAULIC CYLINDER	.....	8
0501051042	HOSE ASSY	.....	9
0501040257	ASSY 3/4 X 38 HOSE SUPPORT	.....	10
0909096998	ASSY DISC GANG	.....	11

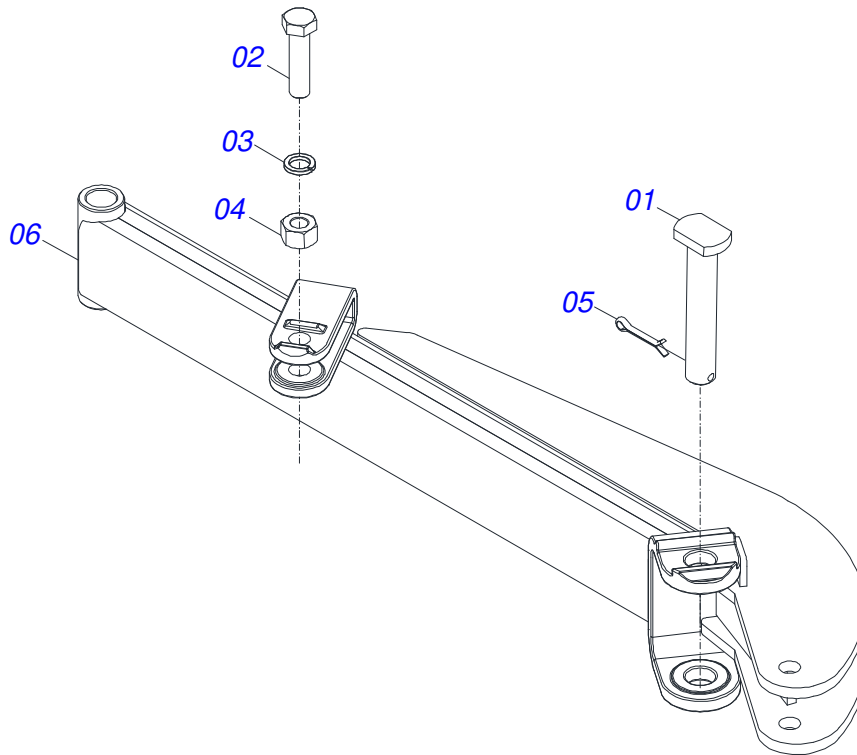


Item	Code	Description	See page	QT
01	0501060413	FRONT FRAME		01
02	0501060315	57.5" OFFSET BAR		01
03	0501016416	1-1/2" X 5.4" BOLT		02
04	0501011301	1.1/2" UNC 6FPP 2.5/16" NUT		08
05	0503010010	SPLIT PIN 1/4" X 2.1/2"		10
06	0521010644	1.5" X 8.4" COUPLING SHAFT		03
07	0503010534	3/8" X 2.1/2" SPLIT PIN		03
08	0511067949	REAR FRAME		01
09	0501062185	2.5" X 13.6" COUPLING SHAFT		01
10	0501010276	BOLT		01
11	0503010012	1" SPRING WASHER		02
12	0503014018	1" NUT		02
13	0501060428	FRONT STABILIZER BAR		01
14	0501041219	REAR STABILIZER BAR ASSY	2	01
15	0501041215	DRAWBAR ASSY	3	01
16	0501041859	ADJUSTMENT BAR ASSY	4	01
17	0501060423	FRONT SCRAPER		06
18	0501060424	REAR SCRAPER		06
19	0501010299	SCRAPER LOCK		12
20	0503010233	5/8" X 2-1/2" BOLT		24
21	0501012140	FLAT WASHER 16,50 X 40 X 4,00 ZN		24
22	0503010027	5/8 SPRING WASHER		24
23	0503010013	5/8" UNC G.5 ZN HEX NUT		24
24	0503062157	DRAWBAR JACK	5	01
25	0521010549	COUPLING SHAFT		01
26	0501316941	KEY 2.1/8 AND 2.1/2		02
27	0511018451	5/8" X 3/4" X 1" UNIVERSAL		01
28	0501061045	1" WRENCH CYLINDRICAL		01
29	0503010002	1800 GREASE FITTING		01
30	0503030168	HITCH PIN CLIP		02

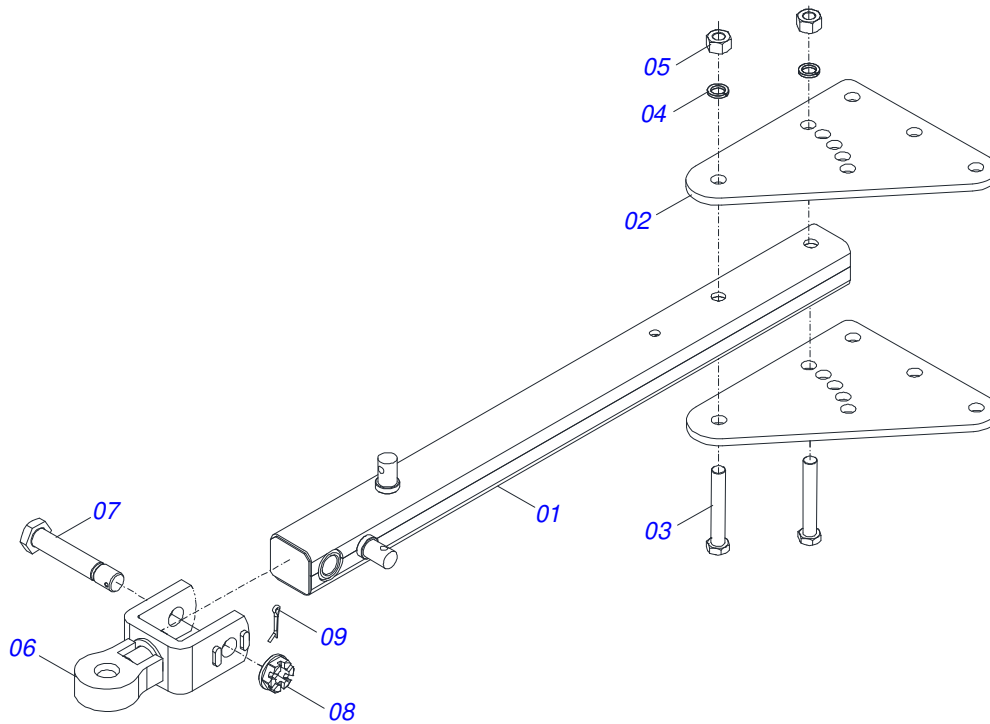


ASSY FRAME

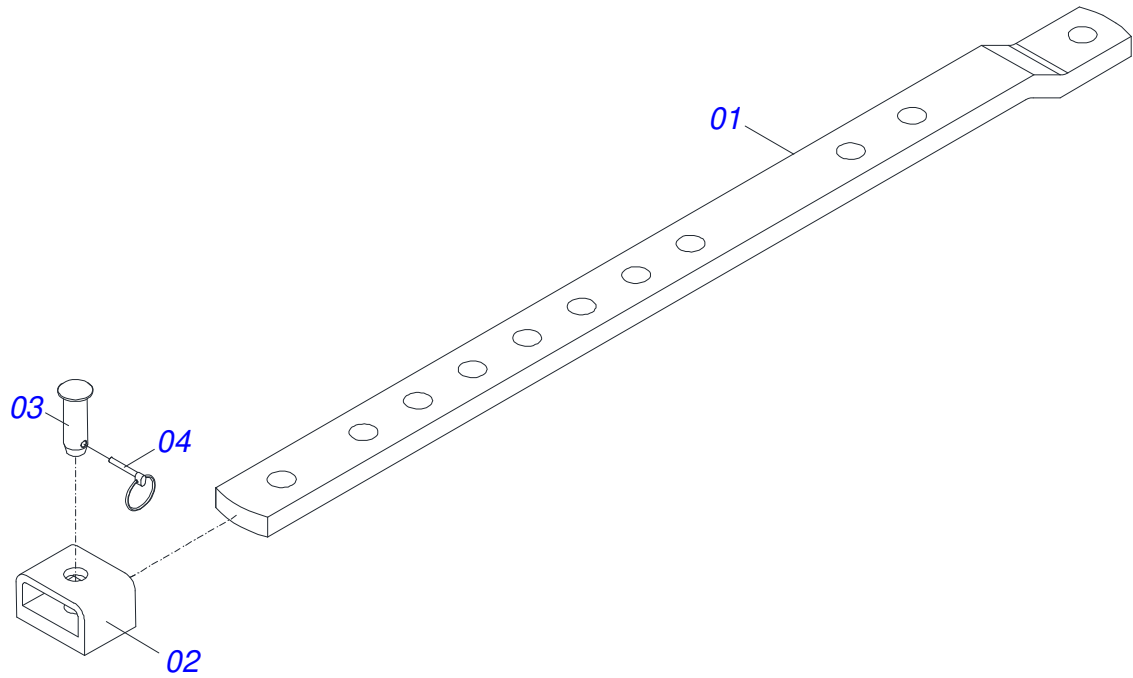
Item	Code	Description	See page	QT
31	0501041199	ADJUSTMENT BODY ASSY	6	01
32	0501053834	MALE QUICK COUPLER	7	02
33	0511059185	HYDRAULIC CYLINDER	8	01
34	0501051042	HOSE ASSY	9	01
35	0521010581	0.9" X 4.9" COUPLING SHAFT		02
36	0503010571	1/4" X 1.1/2" SPLIT PIN		02
37	0501040257	ASSY 3/4 X 38 HOSE SUPPORT	10	01
38	0511067948	COUNTERWEIGHT BOX		01
39	0501010125	3/4" X 2-1/2" BOLT		04
40	0503010023	3/4" SPRING WASHER		04
41	0503010014	3/4" ZN G.5 (HEAVY) UNC HEX NUT		04
42	0501069080	COUPLING SHAFT		01
43	0503034003	61 X 118 SERIAL NUMBER TAG		01
44	0503010001	RIVET 3,2 X 5,5		04
45	0503034892	GAPM DECAL		02
45.	0503033427	ADHESIVE LABEL LOGO TATU 80X107		02
45..	0503034438	ADHESIVE LABEL		01
45...	0503033038	DANGER DECAL		01
45....	0503031738	WARNING DECAL		01
46	0503031827	LUBRICATE AND RETIGHTEN DAILY DECAL		01
46.	0503031087	AUTO CONTROL APPROVED DECAL		01
46..	0503031428	READ MANUAL DECAL		01
46...	0503034078	LIFTING POINTS DECAL		04
46....	0503031739	DANGER DECAL		01
47	0503060829	SILVER GAPM ADHESIVE LABEL SET		01
48		ASSY DISC GANG	11	



Item	Code	Description	See page	QT
01	0521010644	1.5" X 8.4" COUPLING SHAFT		01
02	0503011432	BOLT		01
03	0503011438	SPRING WASHER		01
04	0501010059	1.5/8 NUT		01
05	0503010534	3/8" X 2.1/2" SPLIT PIN		01
06	0501060433	REAR STABILIZER BAR		01

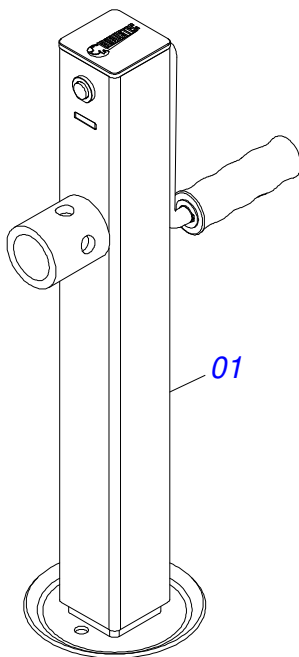


Item	Code	Description	See page	QT
01	0501066715	DRAW BAR		01
02	0511013000	UPPER /LOWER PLATE		02
03	0501010060	1" X 6-1/2" BOLT		05
04	0503011438	SPRING WASHER		05
05	0501010059	1.5/8 NUT		05
06	0501062869	TRACTOR HITCH		01
07	0501017291	1-1/2" X 8.1" BOLT		01
08	0501011301	1.1/2" UNC 6FPP 2.5/16" NUT		01
09	0503010010	SPLIT PIN 1/4" X 2.1/2"		01

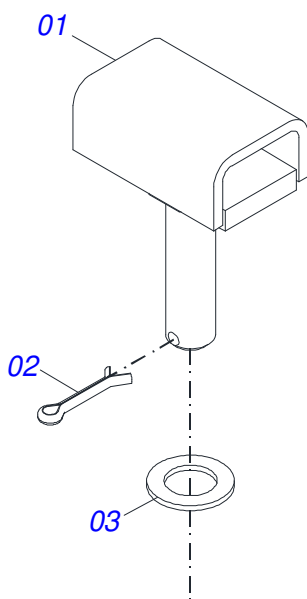


Item	Code	Description	See page	QT
01	0501013208	ADJUSTMENT BAR		01
02	0501060434	BEATER BOX		01
03	0521010572	0.9" X 2.9" COUPLING SHAFT		01
04	0503030085	LOCK PIN		01

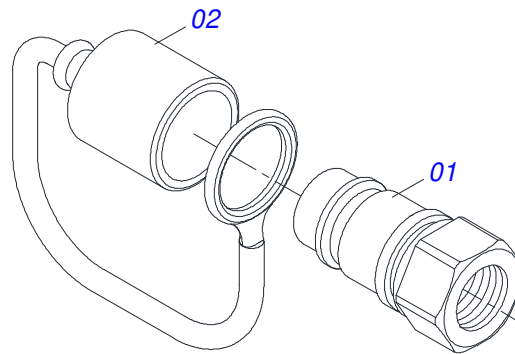




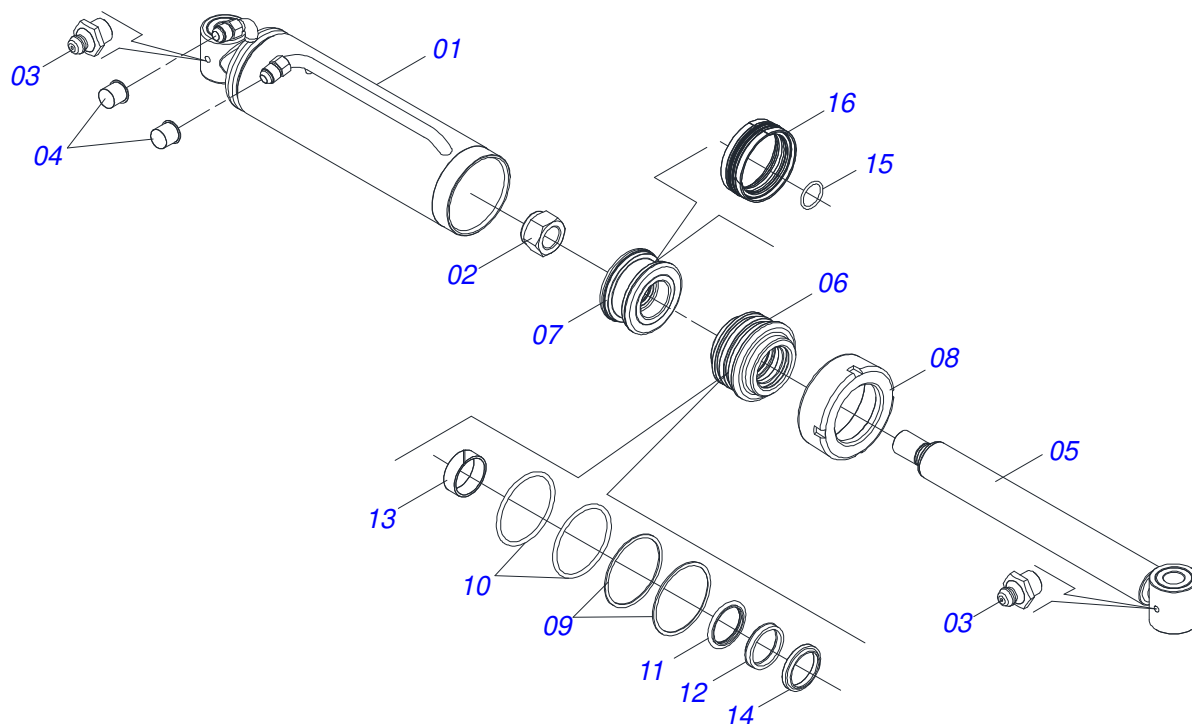
Item	Code	Description	See page	QT
01	0503062157	DRAWBAR JACK	5	01



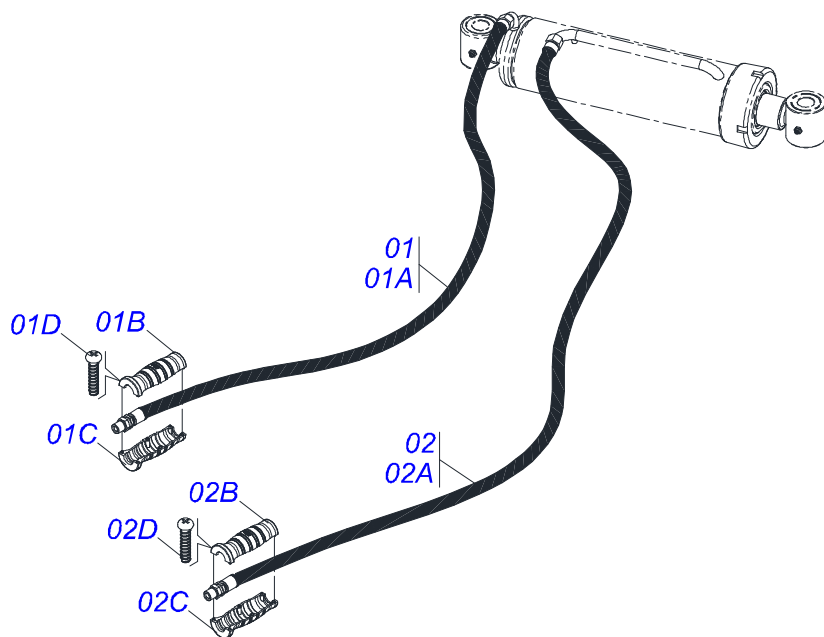
Item	Code	Description	See page	QT
01	0501063206	ADJUSTMENT BODY		01
02	0503010534	3/8" X 2.1/2" SPLIT PIN		01
03	0501012916	FLAT WASHER 40 X 66 X 4,75 ZN		01



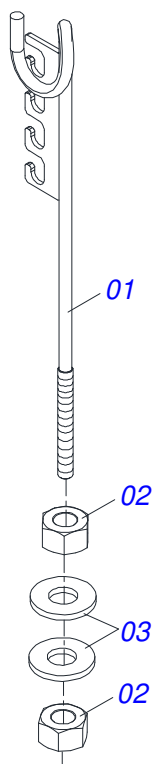
Item	Code	Description	See page	QT
01	0503011627	MALE QUICK COUPLER AGR 1/2 NPT		01
02	0503011882	MALE QUICK COUPLER CAP		01



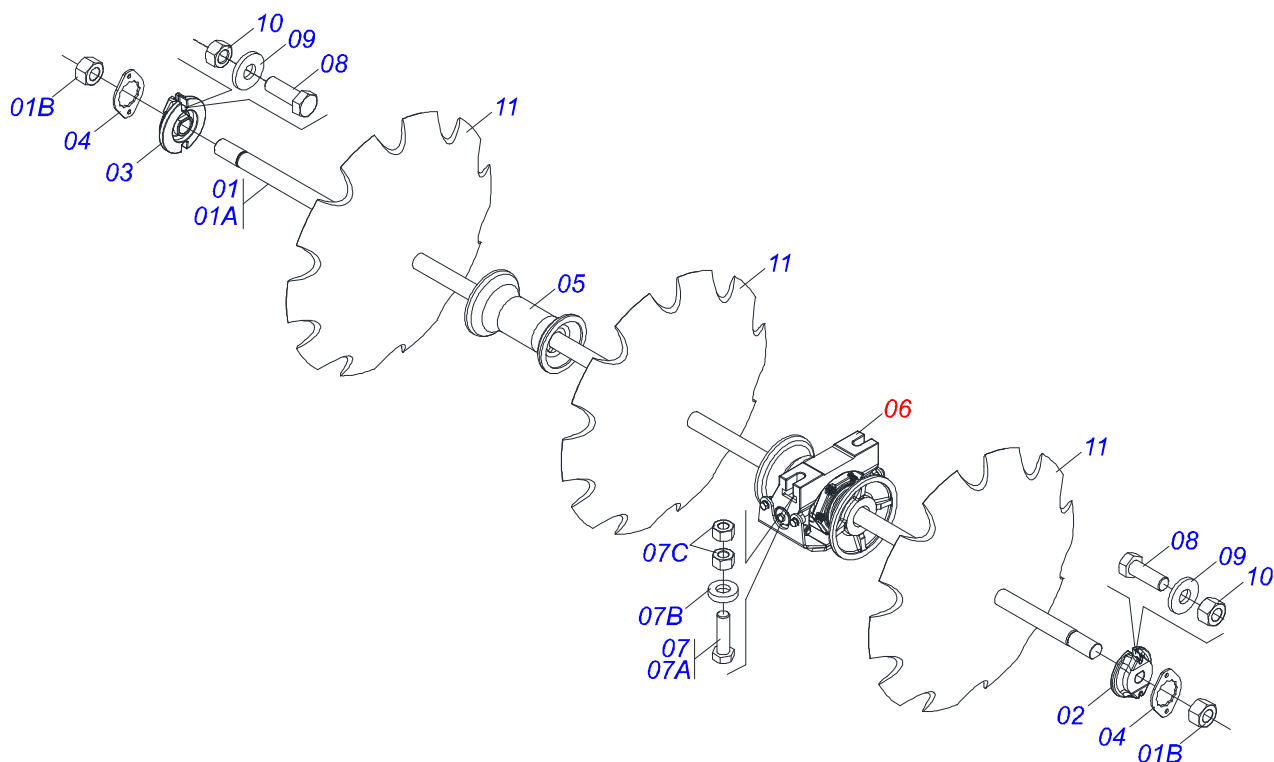
Item	Code	Description	See page	QT
01	0501060462	4" X 10.3" CYLINDER CASE		01
02	0503010817	SELF LOCKING NUT 1.1/4 UNF ALTA G.5 ZN		01
03	0503010002	1800 GREASE FITTING		02
04	0503030387	PLUG		02
05	0521066346	HYDRAULIC CYLINDER TURNBUCKLE		01
06	0502012821	2" X 4" RING SUPPORT		01
07	0502012820	2" X 4" PISTON		01
08	0502012822	END CAP 4"		01
09	0503011061	8-342 BACK-UP RING		02
10	0503010338	2-342 N 3006-9B O'RING		02
11	0503018024	RING BS OD050805200171D-BR		01
12	0503018026	GASKET 1870-2000-375 B POLYMAX		01
13	0503018025	RING GUIDE W2-2250-750		01
14	0503010039	D-2000 SCRAPER RING		01
15	0503018029	O'RING 2-217 N 3006 90B		01
16	0503015633	SELEMASTER SEALING		01



Item	Code	Description	See page	QT
01	0531053377	HOSE 1/2 X 4500 TR-TM PURPLE/RED		01
01A	0501080001	1/2" X 177" TR-TM HOSE ASSY		01
01B	0503034491	HYDRAULIC HOSE GRIP (PURPLE)		01
01C	0503034495	HYDRAULIC HOSE GRIP (RED)		01
01D	0503018952	PH 2,5 X 10 ZB PLASTIC BOLT		06
02	0531053376	HOSE 1/2 X 4500 TR-TM PURPLE/BLUE		01
02A	0501080001	1/2" X 177" TR-TM HOSE ASSY		01
02B	0503034491	HYDRAULIC HOSE GRIP (PURPLE)		01
02C	0503034494	HYDRAULIC HOSE GRIP (BLUE)		01
02D	0503018952	PH 2,5 X 10 ZB PLASTIC BOLT		06



Item	Code	Description	See page	QT
01	0511067334	HOSE SUPPORT		01
02	0503010014	3/4" ZN G.5 (HEAVY) UNC HEX NUT		02
03	0501010322	20,50 X 46 X 4,00 ZN FLAT WASHER		02



Item	Code	Description	See page	QT
01	0511042123	2-1/8" X 76" AXLE WITH NUTS		02
01A	0501013759	2-1/8" X 76" AXLE		01
01B	0502040063	2-1/8" X 54 99 NUT		02
02	0502010594	2-1/8" EXTERNAL AXLE WASHER		02
03	0502010595	2-1/8" INNER AXLE WASHER		02
04	0541010368	NUT LOCK		04
05	0502010643	13" 2-1/8" SPACER		06
06	0531041671	DMO 330 X 2.1/8 BERIANG		04
07	0531041581	1 X 4 SCREW ASSEMBLY SWING BEARING		08
07A	0503011432	BOLT		01
07B	0541010210	FLAT WASHER		01
07C	0501010059	1.5/8 NUT		02
08	0503010232	5/8" X 1.3/4" BOLT		08
09	0501012140	FLAT WASHER 16,50 X 40 X 4,00 ZN		08
10	0503010013	5/8" UNC G.5 ZN HEX NUT		08
11	0602044001	32" X 0.3" NOTCHED DISC BLADE		12







**MARCHESAN**

**Technical Publications | Elaboration and Revision**

ALESSANDRA PATRICIA KAWAHARA CARRILI

[www.marchesan.com.br](http://www.marchesan.com.br)

