

**OFFSET DISK HARROW**

**GAPM - 10/12/14/16/18/20/24/30D**  
**GAPM - 10/12/14/16/18/20/24/30D**

**Code:** 0501093748  
**Series:** S-1123  
**Revision:** 00  
**Revision Date:** MARCH/2024

# **PARTS CATALOGUE**



**MARCHESAN**



# PRODUCTS

Code	Working Width	Description
0102050217		GAPM 10 X 30 X 7,50 DR DMO E 2.1/8 S-1123
0102050249		GAPM 10 X 32 X 12,00 DR DMO E 2.1/8 S-1123
0102050218		GAPM 10 X 32 X 9,00 DR DMO E 2.1/8 S-1123
0102050219		GAPM 12 X 28 X 7,50 DR DMO E 2.1/8 S-1123
0102050220		GAPM 12 X 30 X 7,50 DR DMO E 2.1/8 S-1123
0102050250		GAPM 12 X 32 X 12,00 DR DMO E 2.1/8 S-1123
0102050221		GAPM 12 X 32 X 9,00 DR DMO E 2.1/8 S-1123
0102050244		GAPM 12 X 32 X 9,00 DR DMO E 2.1/8 S-1123
0102050245		GAPM 12 X 34 X 9,00 DR DMO E 2.1/8 S-1123
0102050222		GAPM 14 X 28 X 7,50 DR DMO E 2.1/8 S-1123
0102050223		GAPM 14 X 30 X 7,50 DR DMO E 2.1/8 S-1123
0102050251		GAPM 14 X 32 X 12,00 DR DMO E 2.1/8 S-1123
0102050224		GAPM 14 X 32 X 9,00 DR DMO E 2.1/8 S-1123
0102050237		GAPM 14 X 34 X 9,00 DR DMO E 2.1/8 S-1123
0102050225		GAPM 16 X 28 X 7,50 DR DMO E 2.1/8 S-1123
0102050226		GAPM 16 X 30 X 7,50 DR DMO E 2.1/8 S-1123
0102050243		GAPM 16 X 32 X 12,00 DR DMO E 2.1/8 S-1123
0102050227		GAPM 16 X 32 X 9,00 DR DMO E 2.1/8 S-1123
0102050240		GAPM 16 X 34 X 9,00 DR DMO E 2.1/8 S-1123
0102050228		GAPM 18 X 28 X 7,50 DR DMO E 2.1/8 S-1123
0102050229		GAPM 18 X 30 X 7,50 DR DMO E 2.1/8 S-1123
0102050252		GAPM 18 X 32 X 12,00 DR DMO E 2.1/8 S-1123
0102050230		GAPM 18 X 32 X 9,00 DR DMO E 2.1/8 S-1123
0102050241		GAPM 18 X 34 X 9,00 DR DMO E 2.1/8 S-1123
0102050231		GAPM 20 X 28 X 7,50 DR DMO E 2.1/8 S-1123
0102050232		GAPM 20 X 30 X 7,50 DR DMO E 2.1/8 S-1123
0102050242		GAPM 20 X 32 X 12,00 DR DMO E 2.1/8 S-1123
0102050233		GAPM 20 X 32 X 9,00 DR DMO E 2.1/8 S-1123
0102050247		GAPM 20 X 34 X 9,00 DR DMO E 2.1/8 S-1123
0102050234		GAPM 24 X 28 X 7,50 DR DMO E 2.1/8 S-1123

## ATTENTION: IMPORTANT

Marchesan S.A. reserves the right to improve and/or modify the technical features of its products, without obligation to do the same with those products already sold and without prior knowledge of the dealer or the customer. The photos are only illustrative.



# PRODUCTS

0102050235	GAPM 24 X 30 X 7,50 DR DMO E 2.1/8 S-1123
0102050253	GAPM 24 X 32 X 12,00 DR DMO E 2.1/8 S-1123
0102050236	GAPM 24 X 32 X 9,00 DR DMO E 2.1/8 S-1123
0102050246	GAPM 24 X 34 X 9,00 DR DMO E 2.1/8 S-1123
0102050238	GAPM 30 X 30 X 7,50 DR DMO E 2.1/8 S-1123
0102050254	GAPM 30 X 32 X 12,00 DR DMO E 2.1/8 S/CIL S-1123
0102050239	GAPM 30 X 32 X 9,00 DR DMO E 2.1/8 S-1123
0102050255	GAPM 30 X 34 X 9,0 DR DMO E 2.1/8 S-1123

## ATTENTION: IMPORTANT

Marchesan S.A. reserves the right to improve and/or modify the technical features of its products, without obligation to do the same with those products already sold and without prior knowledge of the dealer or the customer. The photos are only illustrative.



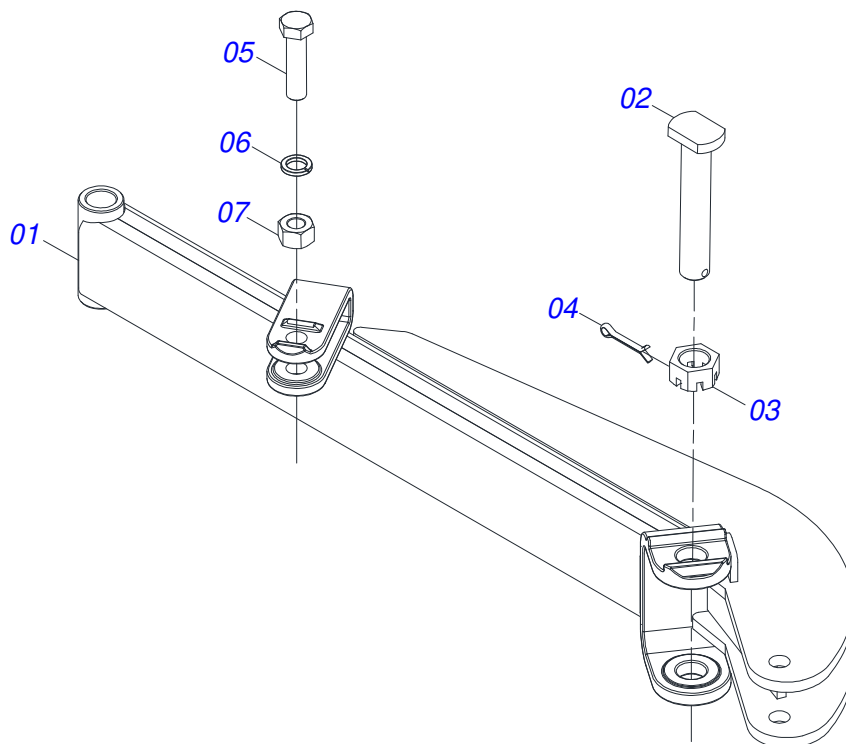
**MARCHESAN**

# INDEX

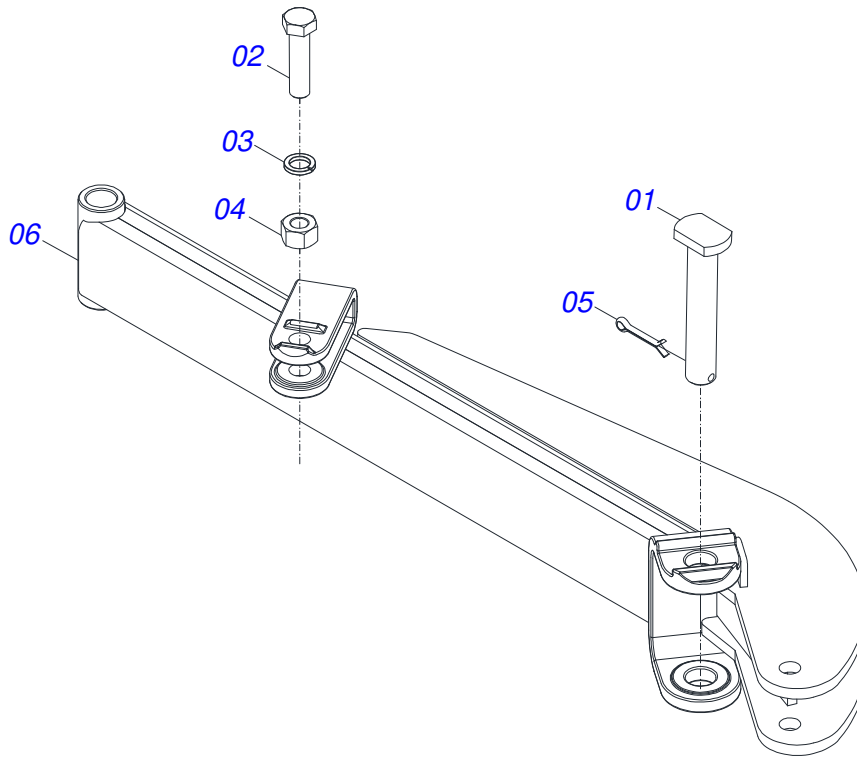
0909097155	GAPM - 10/12/14/16/18/20/24/30D	.....	1
0501041214	REAR STABILIZER BAR - 10D	.....	2
0501041219	REAR STABILIZER BAR - 12/14/16D	.....	3
0501041229	REAR STABILIZER BAR - 18/20/24/30D	.....	4
0501041215	DRAWBAR ASSY - 10/12/14D	.....	5
0501041372	DRAWBAR ASSY - 16/18/20/24D	.....	6
0501042882	DRAWBAR ASSY - 30D	.....	7
0501041859	ADJUSTMENT BAR ASSY - 10/12/14/16D	.....	8
0501041216	ADJUSTMENT BAR ASSY - 18/20/24/30D	.....	9
0503062157	DRAWBAR JACK	.....	10
0501041199	ADJUSTMENT BODY ASSY	.....	11
0511059185	HYDRAULIC CYLINDER	.....	12
0511059156	50,80 X 101,60 X 680 X 399 HYDRAULIC CYLINDER	.....	13
0501040257	3/4" X 38" HOSE SUPPORT ASSY	.....	14
0501053834	MALE QUICK COUPLER	.....	15
0909097156	DISC GANG - 10/12/14/16/18/20/24/30D	.....	16
0531041671	DMO 330 X 2.1/8 BERIANG	.....	17
0531053200	DMO 330 X 2.1/8 IMP BEARING	.....	18





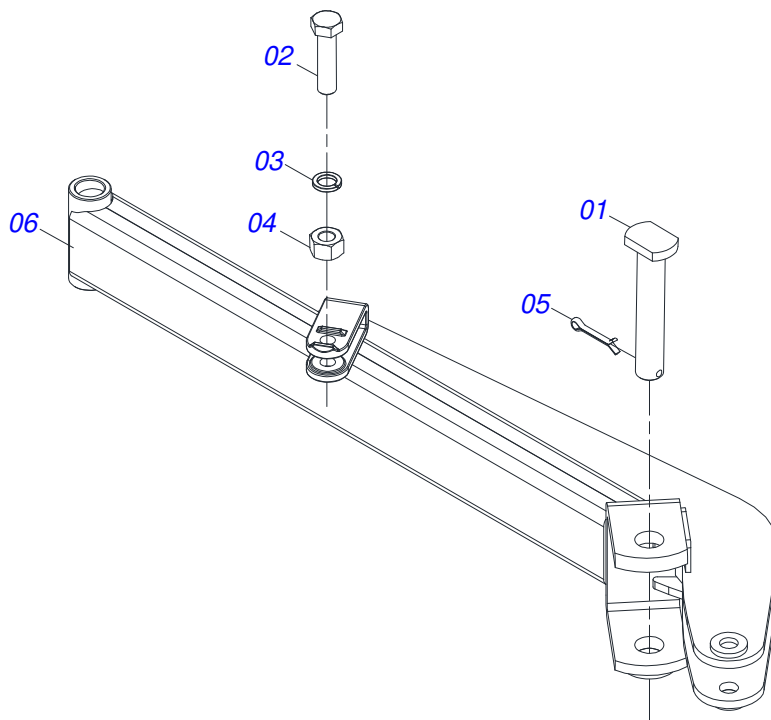


Item	Code	Description	See page	QT
01	0501060431	REAR STABILIZER BAR		01
02	0501010302	1-1/2" X 9.2" BOLT		01
03	0501011301	1.1/2" UNC 6FPP 2.5/16" NUT		01
04	0503010010	SPLIT PIN 1/4" X 2.1/2"		01
05	0501010215	1" X 4-1/2" BOLT		01
06	0503011438	SPRING WASHER		01
07	0501010059	1.5/8 NUT		01

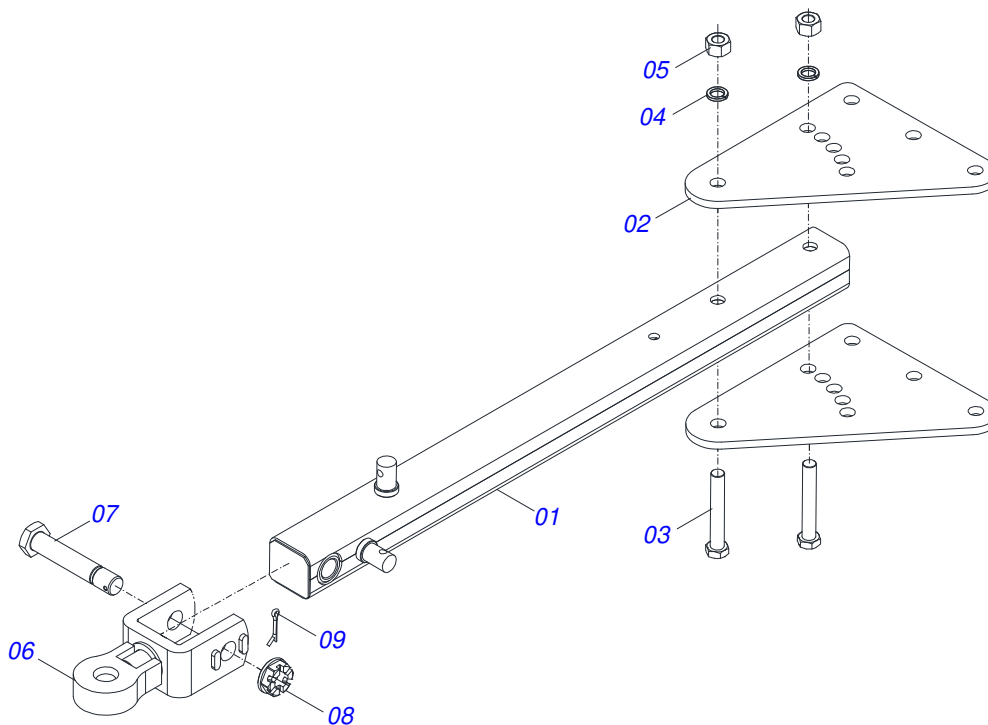


Item	Code	Description	See page	QT
01	0521010644	1.5" X 8.4" COUPLING SHAFT		01
02	0503011432	BOLT		01
03	0503011438	SPRING WASHER		01
04	0501010059	1.5/8 NUT		01
05	0503010534	3/8" X 2.1/2" SPLIT PIN		01
06	0501060433	REAR STABILIZER BAR		01

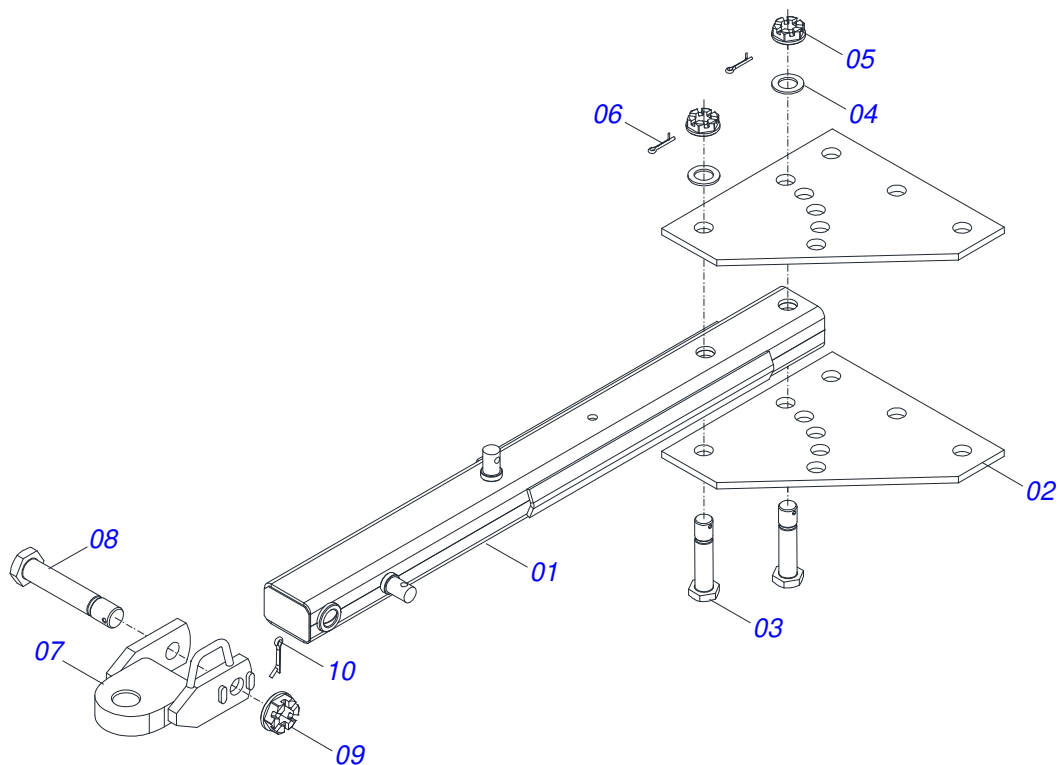




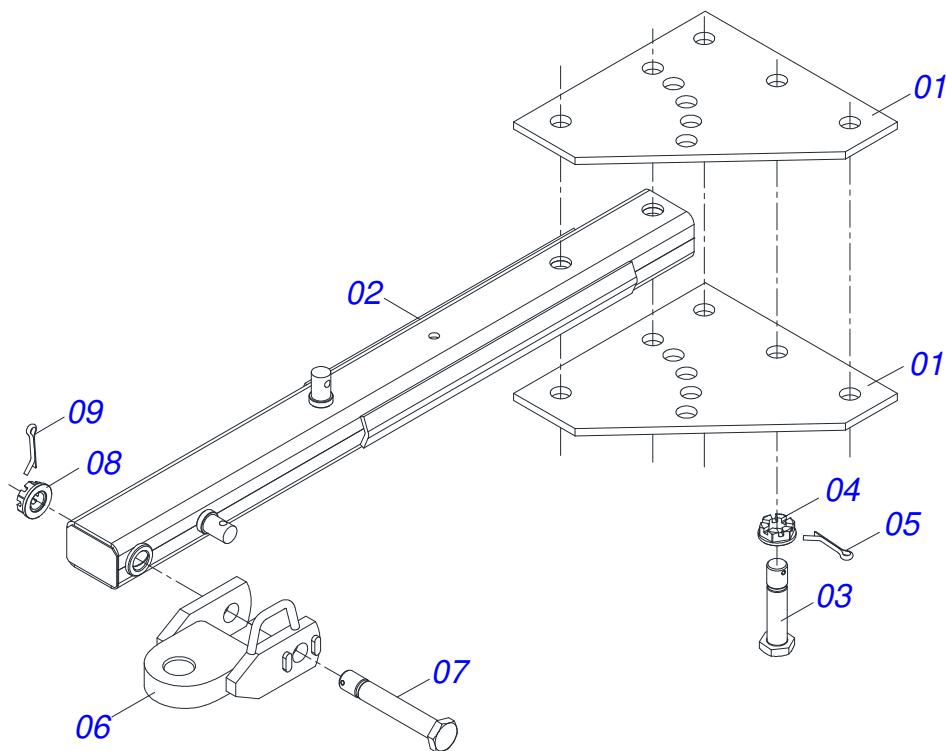
Item	Code	Description	See page	QT
01	0521010644	1.5" X 8.4" COUPLING SHAFT		01
02	0503011432	BOLT		01
03	0503010012	1" SPRING WASHER		01
04	0501010059	1.5/8 NUT		01
05	0503010534	3/8" X 2.1/2" SPLIT PIN		01
06	0501060450	REAR STABILIZER BAR ASSY		01



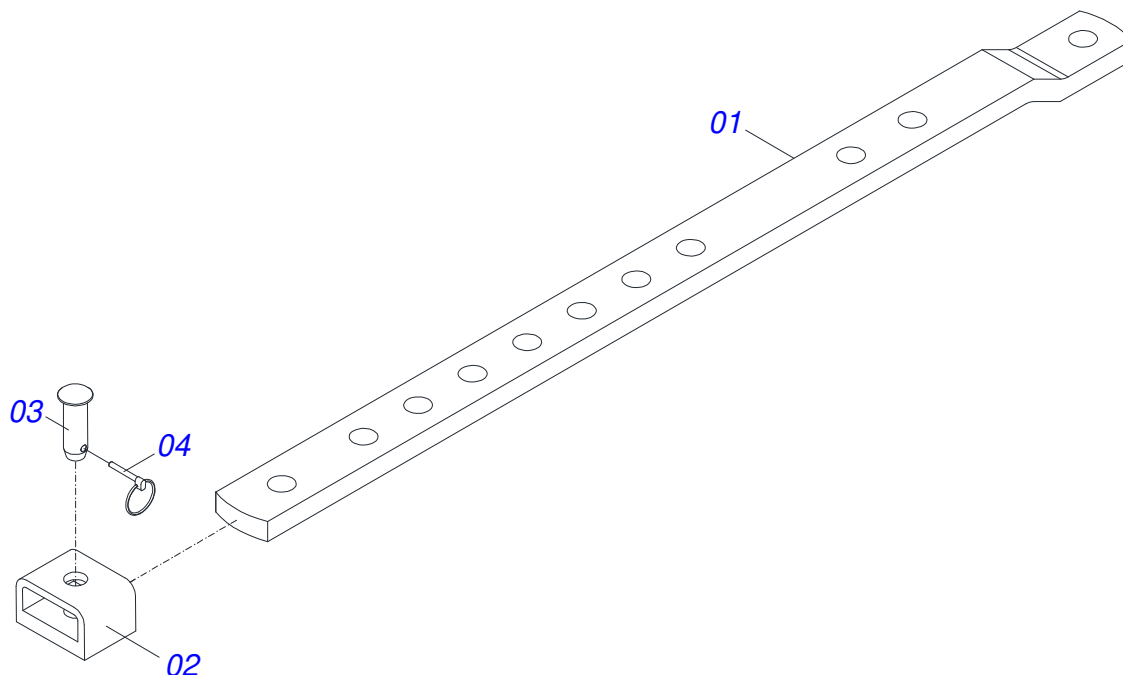
Item	Code	Description	See page	QT
01	0501066715	DRAWBAR		01
02	0511013000	UPPER /LOWER PLATE		02
03	0501010060	1" X 6-1/2" BOLT		05
04	0503011438	SPRING WASHER		05
05	0501010059	1.5/8 NUT		05
06	0501062869	TRACTOR HITCH		01
07	0501017291	1-1/2" X 8.1" BOLT		01
08	0501011301	1.1/2" UNC 6FPP 2.5/16" NUT		01
09	0503010010	SPLIT PIN 1/4" X 2.1/2"		01



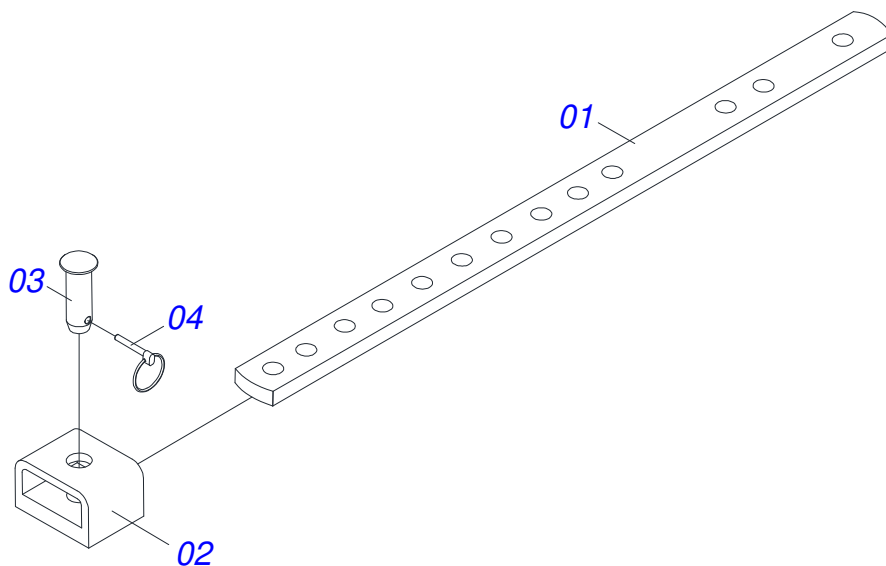
Item	Code	Description	See page	QT
01	0501060299	DRAWBAR ASSY		01
02	0501010272	UPPER/LOWER PLATE		02
03	0501010295	1-1/2" X 6.9" BOLT		05
04	0501012916	FLAT WASHER 40 X 66 X 4,75 ZN		05
05	0501011301	1.1/2" UNC 6FPP 2.5/16" NUT		05
06	0503010010	SPLIT PIN 1/4" X 2.1/2"		05
07	0501060317	TRACTOR HITCH		01
08	0501016415	1-1/2" X 9.6" BOLT		01
09	0501011301	1.1/2" UNC 6FPP 2.5/16" NUT		01
10	0503010010	SPLIT PIN 1/4" X 2.1/2"		01



Item	Code	Description	See page	QT
01	0501010272	UPPER/LOWER PLATE		02
02	0501060299	DRAWBAR ASSY		01
03	0501010295	1-1/2" X 6.9" BOLT		05
04	0501011301	1.1/2" UNC 6FPP 2.5/16" NUT		05
05	0503010010	SPLIT PIN 1/4" X 2.1/2"		05
06	0501060317	TRACTOR HITCH		01
07	0501016415	1-1/2" X 9.6" BOLT		01
08	0501011301	1.1/2" UNC 6FPP 2.5/16" NUT		01
09	0503010010	SPLIT PIN 1/4" X 2.1/2"		01



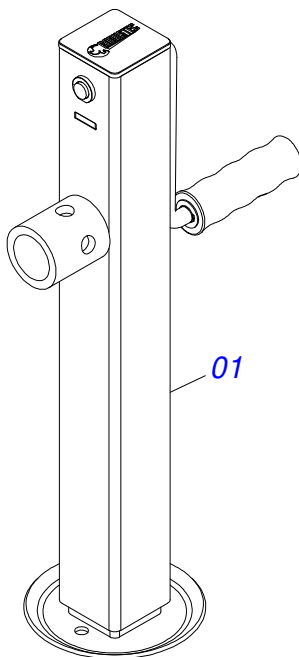
Item	Code	Description	See page	QT
01	0501013208	ADJUSTMENT BAR		01
02	0501060434	BEATER BOX		01
03	0521010572	0.9" X 2.9" COUPLING SHAFT		01
04	0503030085	LOCK PIN		01



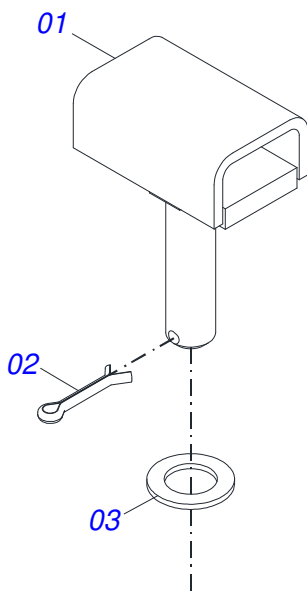
Item	Code	Description	See page	QT
01	0501013284	ADJUSTMENT BAR		01
02	0501060434	BEATER BOX		01
03	0521010573	0.9" X 3.1" COUPLING SHAFT		01
04	0503010571	1/4" X 1.1/2" SPLIT PIN		01

DRAWBAR JACK

0503062157

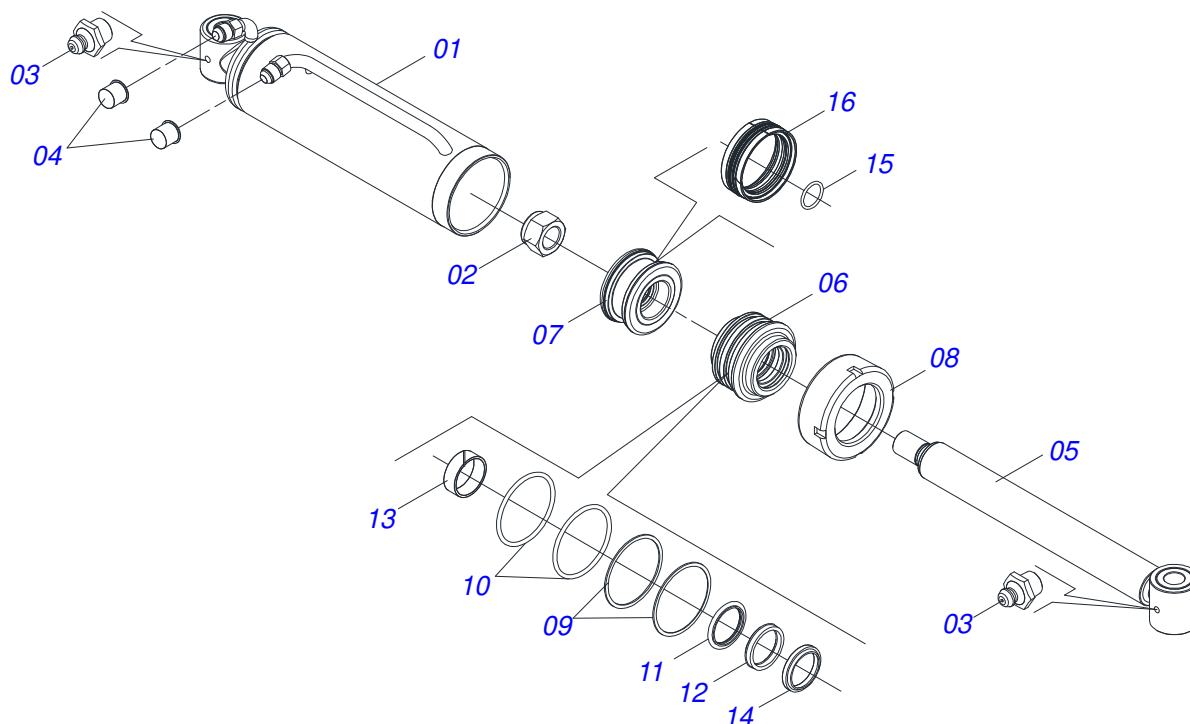


Item	Code	Description	See page	QT
01	0503062157	DRAWBAR JACK	10	01

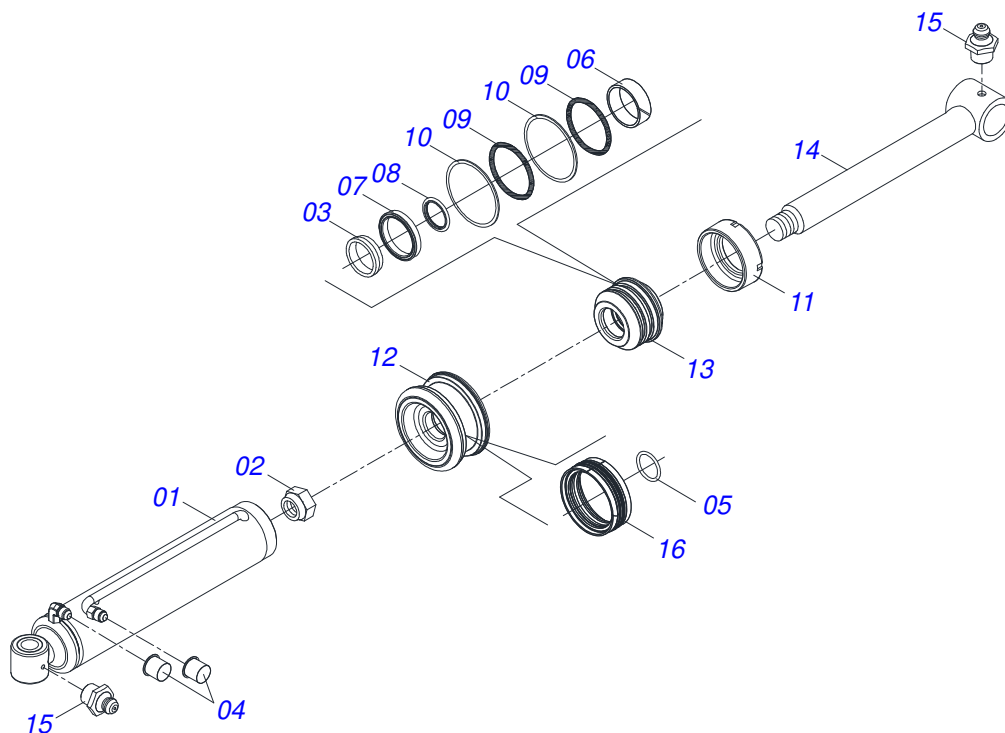


Item	Code	Description	See page	QT
01	0501063206	ADJUSTMENT BODY		01
02	0503010534	3/8" X 2.1/2" SPLIT PIN		01
03	0501012916	FLAT WASHER 40 X 66 X 4,75 ZN		01

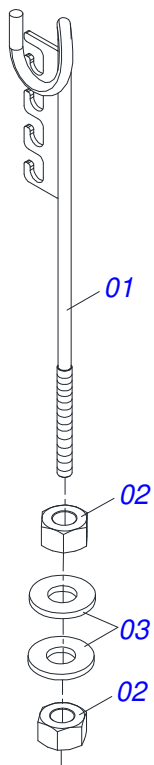




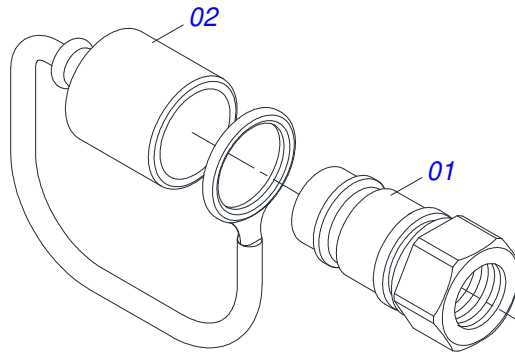
Item	Code	Description	See page	QT
01	0501060462	4" X 10.3" CYLINDER CASE		01
02	0503010817	1.1/4" SELF LOCKING NUT		01
03	0503010002	1800 GREASE FITTING		02
04	0503030387	PLUG		02
05	0521066346	PISTON ROD		01
06	0502012821	2" X 4" RING SUPPORT		01
07	0502012820	2" X 4" PISTON		01
08	0502012822	END CAP 4"		01
09	0503011061	8-342 BACK-UP RING		02
10	0503010338	2-342 N 3006-9B O'RING		02
11	0503018024	RING BS OD050805200171D-BR		01
12	0503018026	GASKET 1870-2000-375 B POLYMAX		01
13	0503018025	RING GUIDE W2-2250-750		01
14	0503010039	D-2000 SCRAPER RING		01
15	0503018029	O'RING 2-217 N 3006 90B		01
16	0503015633	SELEMASTER SEALING		01



Item	Code	Description	See page	QT
01	0521066349	CYLINDER CASE		01
02	0503010817	1.1/4" SELF LOCKING NUT		01
03	0503010039	D-2000 SCRAPER RING		01
04	0503030387	PLUG		02
05	0503018029	O'RING 2-217 N 3006 90B		01
06	0503018025	RING GUIDE W2-2250-750		01
07	0503018026	GASKET 1870-2000-375 B POLYMAX		01
08	0503018024	RING BS OD050805200171D-BR		01
09	0503010338	2-342 N 3006-9B O'RING		02
10	0503011061	8-342 BACK-UP RING		02
11	0502012822	END CAP 4"		01
12	0502012820	2" X 4" PISTON		01
13	0502012821	2" X 4" RING SUPPORT		01
14	0511070665	PISTON ROD		01
15	0503010002	1800 GREASE FITTING		02
16	0503015633	SELEMASTER SEALING		01



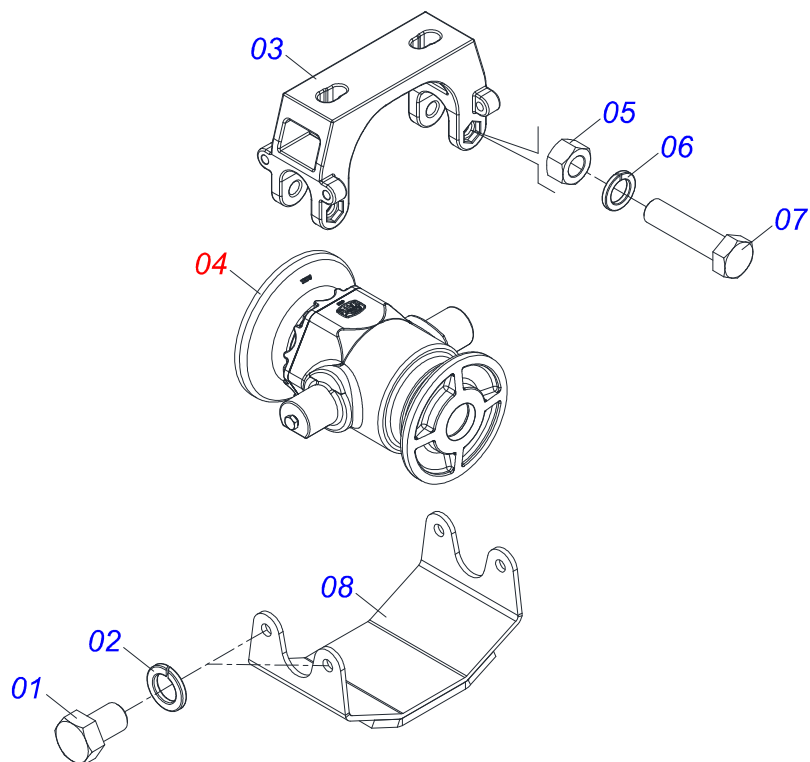
Item	Code	Description	See page	QT
01	0511067334	HOSE SUPPORT		01
02	0503010014	3/4" ZN G.5 (HEAVY) UNC HEX NUT		02
03	0501010322	20,50 X 46 X 4,00 ZN FLAT WASHER		02



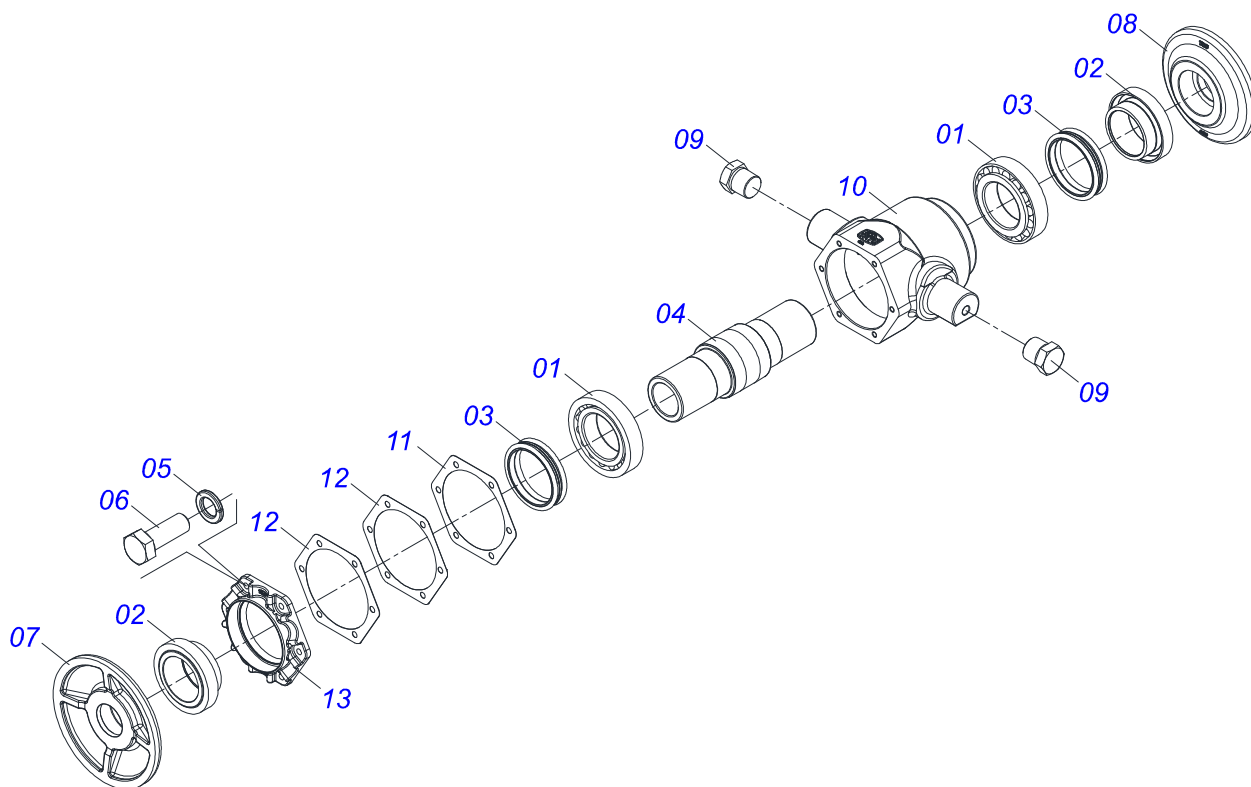
Item	Code	Description	See page	QT
01	0503011627	MALE QUICK COUPLER AGR 1/2 NPT		01
02	0503011882	MALE QUICK COUPLER CAP		01







Item	Code	Description	See page	QT
01	0503010834	1/2 X 1 BOLT		04
02	0503010019	1/2" SPRING WASHER		04
03	0502013011	360 OSCILLATING BEARING SUPPORT (CENTRAL)		01
04	0531053200	DMO 330 X 2.1/8 IMP BEARING	18	01
05	0503010013	5/8 UNC G.5 ZN HEX NUT		02
06	0503010027	5/8 SPRING WASHER		02
07	0503010480	5/8" X 4.3/4" BOLT		02
08	0501210530	SWING BEARING COVER		01



Item	Code	Description	See page	QT
01	0503010117	32216 ROLLER BEARING		02
02	0502040123	MRO - 330 PORT RETAINER WITH BUSH		02
03	0503030028	JB-257 SEAL		02
04	0502040034	BEARING AXLE		01
05	0503011443	SPRING WASHER 3/8"		06
06	0503010751	C3/8" X 1.1/4" HEX BOLT G.5		06
07	0502040260	OUTER FLANGE		01
08	0502040261	INNER FLANGE		01
09	0503010856	OIL PLUG R 3/8 BSPT		02
10	0502013012	2.1/8" BEARING HUB		01
11	0503034044	JOINT		01
12	0503034045	JOINT		02
13	0502012772	BEARING COVER		01







**MARCHESAN**

**Technical Publications | Elaboration and Revision**

LEONARDO JOSÉ DA SILVA SOUZA

[www.marchesan.com.br](http://www.marchesan.com.br)

