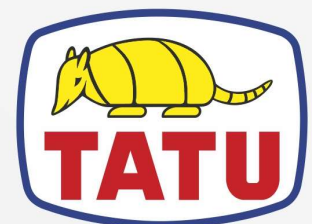


OFFSET DISK HARROW

GAI 12 A 40 D

Code: 0501093745
Series: S-1023
Revision: 00
Revision Date: FEBRUARY/2025

PARTS CATALOGUE



MARCHESAN



PRODUCTS

Code	Working Width	Description
0102250250		GAI 12 X 26 X 6,00 DR DMO E 1.5/8 S-1023
0102250249		GAI 12 X 28 X 6,00 DR DMO E 1.5/8 S-1023
0102250245		GAI 14 X 26 X 6,00 DR DMO E 1.5/8 S-1023
0102250244		GAI 14 X 28 X 6,00 DR DMO E 1.5/8 S-1023
0102250258		GAI 16 X 26 X 6,00 DR DMO E 1.5/8 S-1023
0102250259		GAI 16 X 28 X 6,00 DR DMO E 1.5/8 S-1023
0102250257		GAI 16 X 28 X 7,50 DR DMO E 1.5/8 S-1023
0102250263		GAI 18 X 26 X 6,00 DR DMO E 1.5/8 S-1023
0102250260		GAI 18 X 28 X 6,00 DR DMO E 1.5/8 S-1023
0102250261		GAI 18 X 28 X 6,00 DR DMO E 1.5/8 S-1023
0102250262		GAI 18 X 28 X 7,50 DR DMO E 1.5/8 S-1023
0102250270		GAI 20 X 26 X 6,00 DR DMO E 1.5/8 S-1023
0102250271		GAI 20 X 28 X 7,50 DR DMO E 1.5/8 S-1023
0102250221		GAI 24 X 26 X 6,00 DR DMO E 1.5/8 S-1023
0102250220		GAI 24 X 28 X 7,50 DR DMO E 1.5/8 S-1023
0102250230		GAI 28 X 26 X 6,00 DR DMO E 1.5/8 S-1023
0102250229		GAI 28 X 28 X 7,50 DR DMO E 1.5/8 S-1023
0102250232		GAI 32 X 26 X 6,00 DR DMO E 1.5/8 S-1023
0102250231		GAI 32 X 28 X 7,50 DR DMO E 1.5/8 S-1023
0102250233		GAI 36 X 26 X 6,00 DR DMO E 1.5/8 S-1023
0102250234		GAI 36 X 28 X 7,50 DR DMO E 1.5/8 S-1023
0102250241		GAI 40 X 26 X 6,00 DR DMO E 1.5/8 S-1023
0102250240		GAI 40 X 28 X 7,50 DR DMO E 1.5/8 S-1023

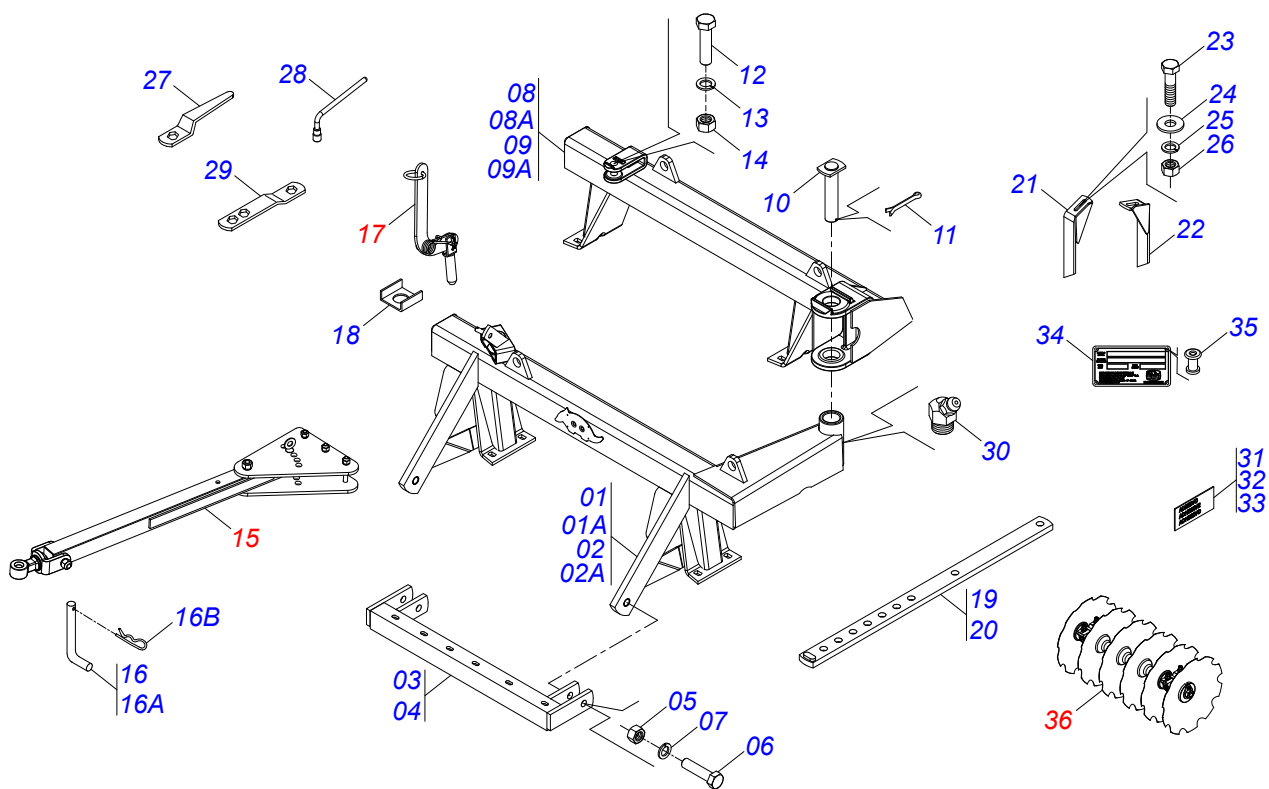
ATTENTION: IMPORTANT

Marchesan S.A. reserves the right to improve and/or modify the technical features of its products, without obligation to do the same with those products already sold and without prior knowledge of the dealer or the customer. The photos are only illustrative.



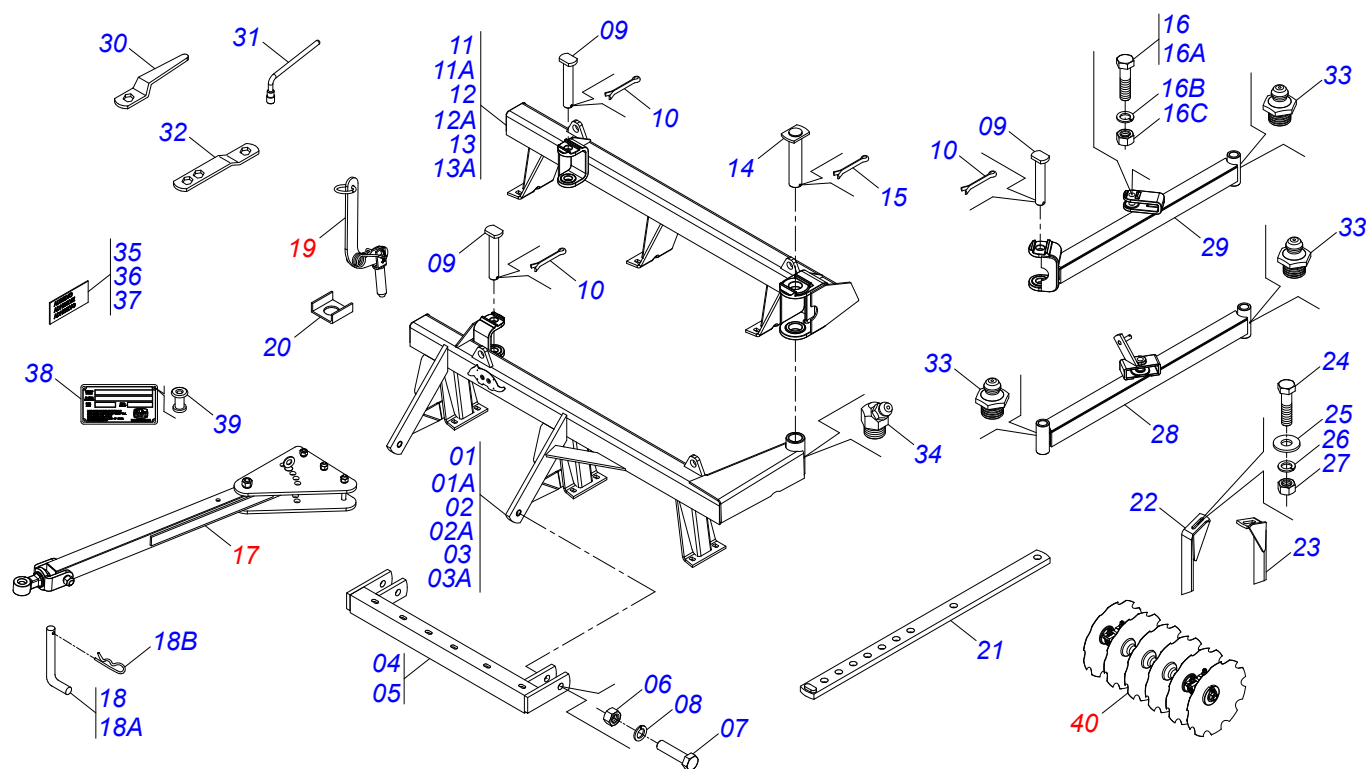
INDEX

0909097445	GAI 12 - 14	1
0909097446	GAI 16 - 20	2
0909097447	GAI 24 - 40	3
0501042816	TRACTION BAR ASSY	4
0501047858	ADJUSTMENT LEVER ASSY	5
0501041372	DRAWBAR ASSY - 16/18/20/24D	6
0501040057	ADJUSTMENT ASSY	7
0501041216	ADJUSTMENT BAR ASSY - 18/20/24/30D	8
0501040324	REAR STABILIZER BAR ASSY	9
0503062157	DRAWBAR JACK	10
0909097448	GANG DISC 12 - 20	11
0909097449	GANG DISC 24 - 40	12
0511048375	DMO 262 X 1.5/8 AGRICULTURAL BEARING ASSY	13
0501059733	DMO 262 X 1.5/8 AGRICULTURAL BEARING	14



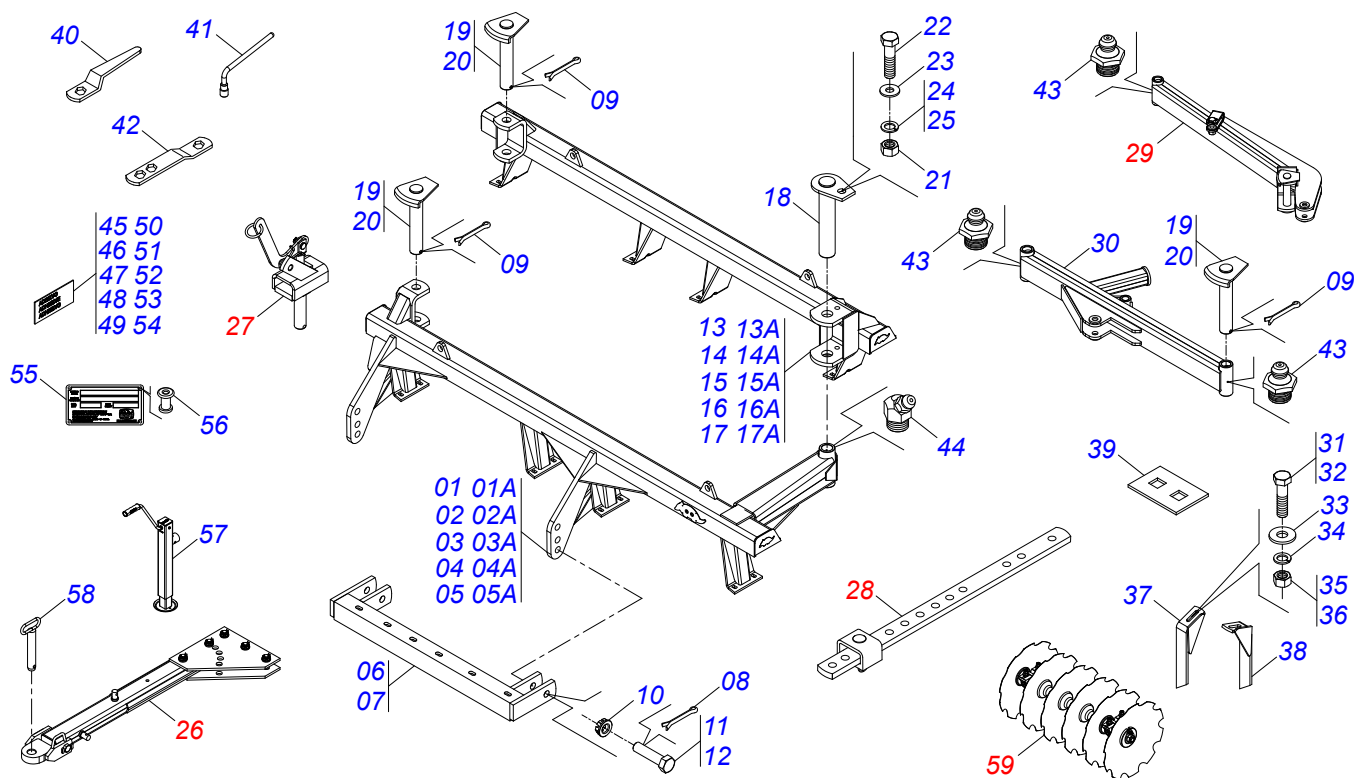
Item	Code	Description	See page	12 14	12 14
01	0501043814	FRONT FRAME ASSY GAI 12 S-692		01 00	
01A	0501065488	FRAME FRONT		01 00	
02	0501043816	FRONT FRAME ASSY GAI 14		00 01	
02A	0501065519	FRAME FRONT		00 01	
03	0501065544	OFFSET BAR		01 00	
04	0501065546	OFFSET BAR		00 01	
05	0501810059	1" NUT		02 02	
06	0501811547	BOLT		02 02	
07	0503011438	SPRING WASHER		02 02	
08	0501043821	REAR FRAME ASSY GAI 12		01 00	
08A	0501065489	REAR FRAME		01 00	
09	0501043823	REAR FRAME ASSY GAI 14		00 01	
09A	0501065520	REARFRAME		00 01	
10	0501065487	2.4" X 123" COUPLING SHAFT		01 01	
11	0503010073	3/8" X 3.1/2" SPLIT PIN		01 01	
12	0503811432	BOLT		01 01	
13	0503011438	SPRING WASHER		01 01	
14	0501810059	1" NUT		01 01	
15	0501042816	TRACTION BAR ASSY	4	01 01	
16	0501040343	HITCH AXIS ASSY		01 01	
16A	0521010453	JOINT AXIS		01 01	
16B	0503031035	HITCH PIN CLIP		01 01	
17	0501047858	ADJUSTMENT LEVER ASSY	5	01 01	
18	0501011649	U 1.2" X 3.1" X 3/16" BAR		01 01	
19	0501064196	ADJUSTMENT BAR		01 00	
20	0501064198	ADJUSTMENT BAR		00 01	
21	0501064168	FRONT SCRAPER		03 04	
22	0501064167	REAR SCRAPER		03 04	
23	0503011082	C1/2" X 1.3/4" SCREW		12 16	
24	0511017302	FLAT WASHER 13.50 X 32.50 X 3.0 ZN		12 16	
25	0503010019	SPRING WASHER 1/2"		12 16	
26	0503010060	HEX NUT 1/2 UNC G.5 ZN		12 16	

Item	Code	Description	See page	12 14
27	0501011431	1-3/4" GANG BOLT WRENCH		02 02
28	0503018438	1" WRENCH CYLINDRICAL HEX		01 01
29	0511018451	5/8" X 3/4" X 1" UNIVERSAL		01 01
30	0503010003	GREASE FITTING 3/8"		01 01
31	0503033427	TATU LOGO DECAL		02 02
32	0503034120	GAI DECAL		01 01
33	0503034438	OPENING/CLOSING OF SECTIONS DECAL		01 01
34	0503034003	61 X 118 SERIAL NUMBER TAG		01 01
35	0503010001	RIVET 3,2 X 5,5		04 04
36		GANG DISC 12 - 20	11	



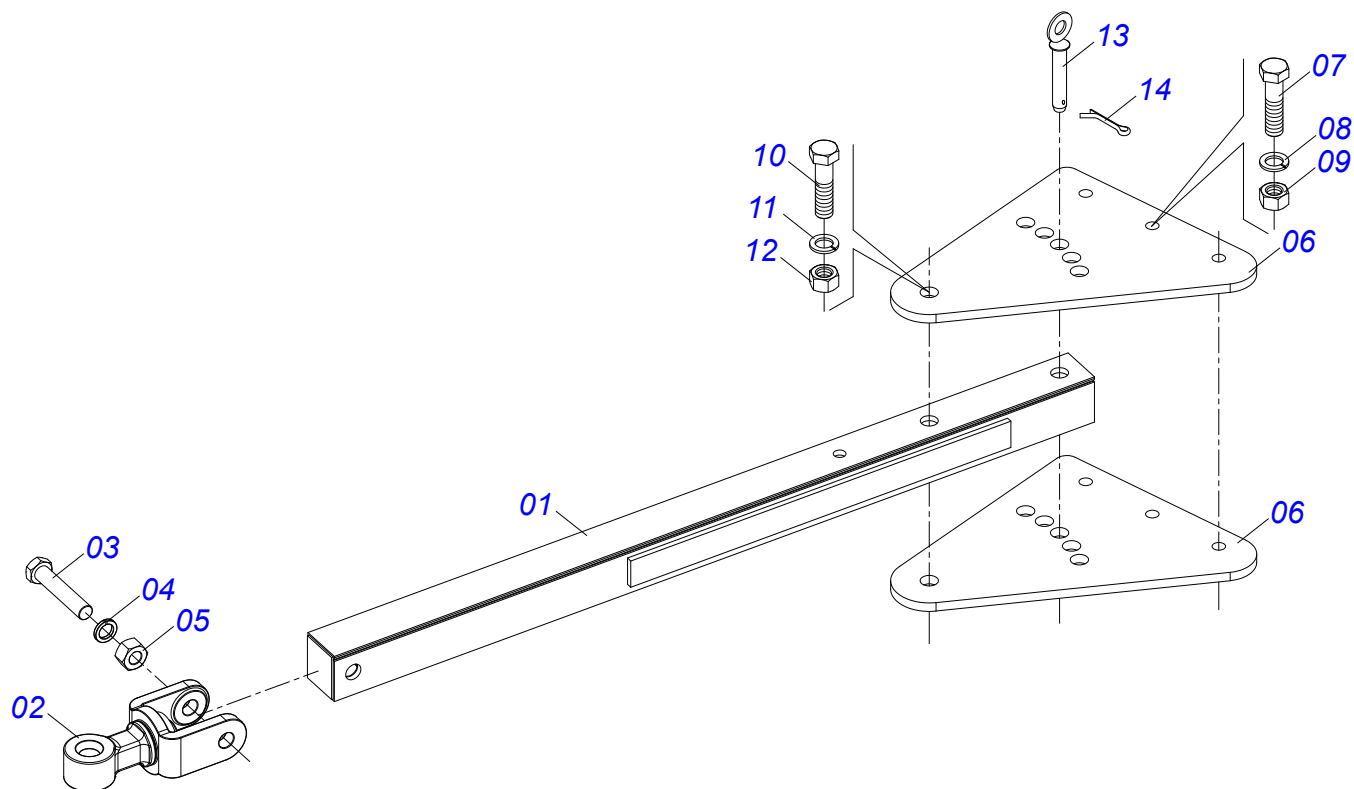
Item	Code	Description	See page	16	18	20
				16	18	20
01	0501043818	FRONT FRAME ASSY GAI 16		01	00	00
01A	0501065528	FRAME FRONT		01	00	00
02	0501043819	FRONT FRAME ASSY GAI 18		00	01	00
02A	0501065535	FRAME FRONT		00	01	00
03	0501043820	FRONT FRAME ASSY GAI 20		00	00	01
03A	0501065539	FRAME FRONT		00	00	01
04	0501065545	OFFSET BAR		01	00	00
05	0501065546	OFFSET BAR		00	01	01
06	0501810059	1" NUT		02	02	02
07	0501811547	BOLT		02	02	02
08	0503011438	SPRING WASHER		02	02	02
09	0521010644	1.5" X 8.4" COUPLING SHAFT		03	03	03
10	0503010534	3/8" X 2.1/2" SPLIT PIN		03	03	03
11	0501043825	REAR FRAME ASSY		01	00	00
11A	0501065527	REAR FRAME		01	00	00
12	0501043826	REAR FRAME ASSY GAI 18		00	01	00
12A	0501065536	REAR FRAME		00	01	00
13	0501043827	REAR FRAME ASSY		00	00	01
13A	0501065540	REAR FRAME		00	00	01
14	0501065487	2.4" X 123" COUPLING SHAFT		01	01	01
15	0503010073	3/8" X 3.1/2" SPLIT PIN		01	01	01
16	0501040852	1" X 4" BOLT ASSY		01	01	01
16A	0503011432	BOLT		01	01	01
16B	0503010012	SPRING WASHER 1"		01	01	01
16C	0501010059	NUT 1.5/8		01	01	01
17	0501042816	TRACTION BAR ASSY	4	01	01	01
18	0501040343	HITCH AXIS ASSY		01	01	01
18A	0521010453	JOINT AXIS		01	01	01
18B	0503031035	HITCH PIN CLIP		01	01	01
19	0501047858	ADJUSTMENT LEVER ASSY	5	01	01	01
20	0501011649	U 1.2" X 3.1" X 3/16" BAR		01	01	01
21	0501064197	ADJUSTMENT BAR		01	01	01

Item	Code	Description	See page	16 18 20		
				16	18	20
22	0501064168	FRONT SCRAPER		04	04	05
23	0501064167	REAR SCRAPER		04	04	05
24	0503011082	C1/2" X 1.3/4" SCREW		16	16	20
25	0511017302	FLAT WASHER 13.50 X 32.50 X 3.0 ZN		16	16	20
26	0503010019	SPRING WASHER 1/2"		16	16	20
27	0503010060	HEX NUT 1/2 UNC G.5 ZN		16	16	20
28	0501062506	FRONT STABILIZER BAR		01	01	01
29	0501062508	REAR STABILIZER BAR		01	01	01
30	0501011431	1-3/4" GANG BOLT WRENCH		02	02	02
31	0503018438	1" WRENCH CYLINDRICAL HEX		01	01	01
32	0511018451	5/8" X 3/4" X 1" UNIVERSAL		01	01	01
33	0503010002	GREASE FITTING 1800		00	03	03
34	0503010003	GREASE FITTING 3/8"		01	01	01
35	0503033427	TATU LOGO DECAL		02	02	02
36	0503034120	GAI DECAL		01	01	01
37	0503034438	OPENING/CLOSING OF SECTIONS DECAL		01	01	01
38	0503034003	61 X 118 SERIAL NUMBER TAG		01	01	01
39	0503010001	RIVET 3,2 X 5,5		04	04	04
40		GANG DISC 12 - 20	11			

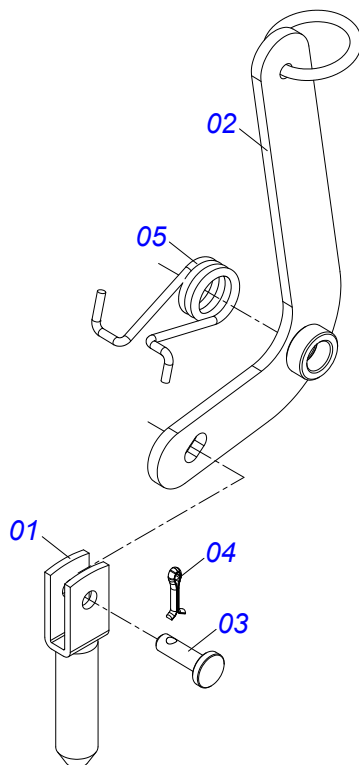


Item	Code	Description	See page	24	28	32	36	40
				24	28	32	36	40
01	0501040350	FRONT FRAME ASSY GAI 24		01	00	00	00	00
01A	0501061582	FRAME FRONT		01	00	00	00	00
02	0501040352	FRONT FRAME ASSY GAI 28		00	01	00	00	00
02A	0501061598	FRAME FRONT		00	01	00	00	00
03	0501040354	FRONT FRAME ASSY GAI 32		00	00	01	00	00
03A	0501061600	FRAME FRONT		00	00	01	00	00
04	0501040356	FRONT FRAME ASSY GAI 36		00	00	00	01	00
04A	0501061601	FRAME FRONT		00	00	00	01	00
05	0501042972	FRONT FRAME ASSY GAI 40		00	00	00	00	01
05A	0501064997	FRAME FRONT		00	00	00	00	01
06	0521062520	OFFSET BAR		01	00	01	01	01
07	0501061586	OFFSET BAR		00	01	00	00	00
08	0503010010	1/4" X 2.1/2" SPLIT PIN		02	02	02	02	02
09	0503010534	3/8" X 2.1/2" SPLIT PIN		03	03	03	03	03
10	0501811301	CASTLE NUT		02	02	02	02	02
11	0501816416	BOLT		02	02	02	02	00
12	0501016416	1-1/2" X 5.4" BOLT		00	00	00	00	02
13	0501040351	REAR FRAME ASSY GAI 24		01	00	00	00	00
13A	0501061585	REAR FRAME		01	00	00	00	00
14	0501040353	REAR FRAME ASSY GAI 28		00	01	00	00	00
14A	0501061599	REAR FRAME		00	01	00	00	00
15	0501040355	REAR FRAME ASSY GAI 32		00	00	01	00	00
15A	0501061602	REAR FRAME		00	00	01	00	00
16	0501040357	REAR FRAME ASSY GAI 36		00	00	00	01	00
16A	0501061603	REAR FRAME		00	00	00	01	00
17	0501042973	REAR FRAME ASSY GAI 40		00	00	00	00	01
17A	0501064998	REAR FRAME		00	00	00	00	01
18	0501062185	2.5" X 13.6" COUPLING SHAFT		01	01	01	01	01
19	0501063253	2" X 11.9" COUPLING SHAFT		03	03	03	03	00
20	0521010644	1.5" X 8.4" COUPLING SHAFT		00	00	00	00	03
21	0501810059	1" NUT		01	01	01	01	01
22	0501810276	BOLT 1 UNC X 3 C.S. G.5		01	01	01	01	01

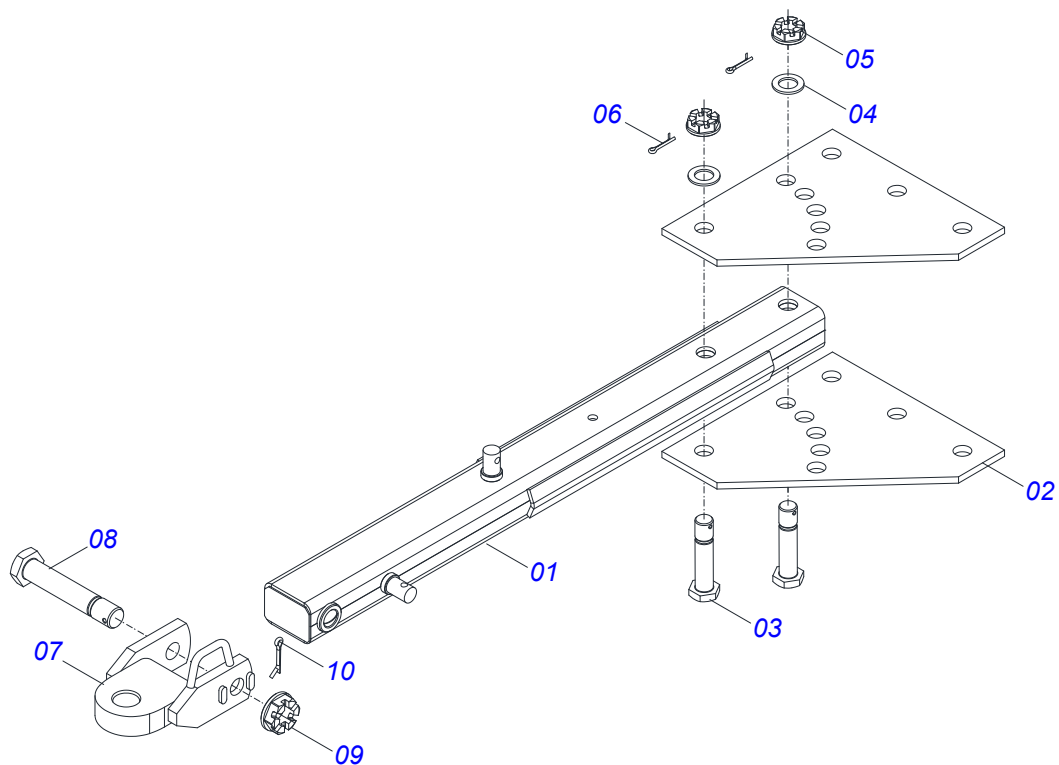
Item	Code	Description	See page	24 28 32 36 40				
				24	28	32	36	40
23	0501811445	FLAT WASHER 26 X 46 X 3,00		01	01	01	01	01
24	0503011438	SPRING WASHER		01	01	01	01	00
25	0503010012	SPRING WASHER 1"		00	00	00	00	01
26	0501041372	DRAWBAR ASSY - 16/18/20/24D	6	01	01	01	01	01
27	0501040057	ADJUSTMENT ASSY	7	01	01	01	01	01
28	0501041216	ADJUSTMENT BAR ASSY - 18/20/24/30D	8	01	01	01	01	01
29	0501040324	REAR STABILIZER BAR ASSY	9	01	01	01	01	01
30	0501060448	FRONT STABILIZER BAR - 18/20/24/30D		01	01	01	01	01
31	0503010740	BOLT 1/2 UNC X 2 CS G.5 ZN		28	36	00	44	52
32	0501019220	BOLT 1/2" X 2"		00	00	36	00	00
33	0511017302	FLAT WASHER 13.50 X 32.50 X 3.0 ZN		28	36	36	44	52
34	0503010019	SPRING WASHER 1/2"		28	36	36	44	52
35	0503010060	HEX NUT 1/2 UNC G.5 ZN		28	36	00	44	52
36	0503012682	1/2" BSW NUT		00	00	36	00	00
37	0501065827	FRONT CLEANER		07	09	09	11	13
38	0501065828	REAR CLEANER		07	09	09	11	13
39	0501010242	SCRAPER LOCK		14	18	18	22	26
40	0501011431	1-3/4" GANG BOLT WRENCH		02	02	02	02	02
41	0503018438	1" WRENCH CYLINDRICAL HEX		01	01	01	01	01
42	0511018451	5/8" X 3/4" X 1" UNIVERSAL		01	01	01	01	01
43	0503010002	GREASE FITTING 1800		04	04	04	04	04
44	0503010003	GREASE FITTING 3/8"		01	01	01	01	01
45	0503033427	TATU LOGO DECAL		02	02	02	02	02
46	0503034120	GAI DECAL		01	01	01	01	01
47	0503034438	OPENING/CLOSING OF SECTIONS DECAL		01	01	01	00	01
48	0503060823	DECAL SET GNLCR		00	00	00	01	03
49	0503031087	AUTO CONTROL APPROVED DECAL		00	00	00	01	01
50	0503031428	ATTENTION READ MANUAL DECAL		00	00	00	01	01
51	0503031738	WARNING DECAL		00	00	00	00	01
52	0503031739	DANGER DECAL		00	00	00	00	01
53	0503031827	DAILY LUBRICATION AND RETIGHTENING DECAL		00	00	00	00	01
54	0503034078	LIFTING POINTS DECAL		00	00	00	00	04
55	0503034003	61 X 118 SERIAL NUMBER TAG		01	00	00	01	01
56	0503010001	RIVET 3,2 X 5,5		04	00	00	04	04
57	0503062157	DRAWBAR JACK	10	01	01	01	01	01
58	0501069080	COUPLING SHAFT		01	01	00	00	00
59		GANG DISC 24 - 40	12					



Item	Code	Description	See page	QT
01	0501060188	DRAWBAR ASSY		01
02	0521061775	TRACTOR HITCH		01
03	0501810060	SCREW 1 UNC X 6.1/2 CS G.5		01
04	0503011438	SPRING WASHER		01
05	0501810059	1" NUT		01
06	0501010241	UPPER /LOWER PLATE		02
07	0503811198	SCREW		03
08	0503011442	3/4" SPRING WASHER		03
09	0503810014	3/4" NUT		03
10	0501810191	1" X 6" ASSY BOLT		01
11	0503011438	SPRING WASHER		01
12	0501810059	1" NUT		01
13	0501868993	COUPLING SHAFT		01
14	0503010571	SPLIT PIN 1/4" X 1.1/2"		01



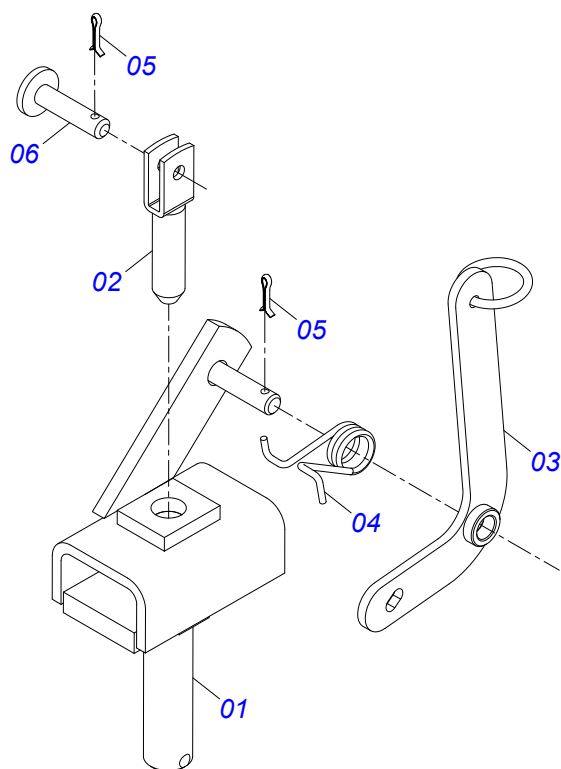
Item	Code	Description	See page	QT
01	0501060185	ADJUSTMENT LOCK		01
02	0501068981	ADJUSTMENT LEVER		01
03	0521010624	0.4" X 1.5" COUPLING SHAFT		01
04	0503010071	3/16" X 1" SPLIT PIN		02
05	0503030025	1.4" X 0.2" TORSION SPRING		01



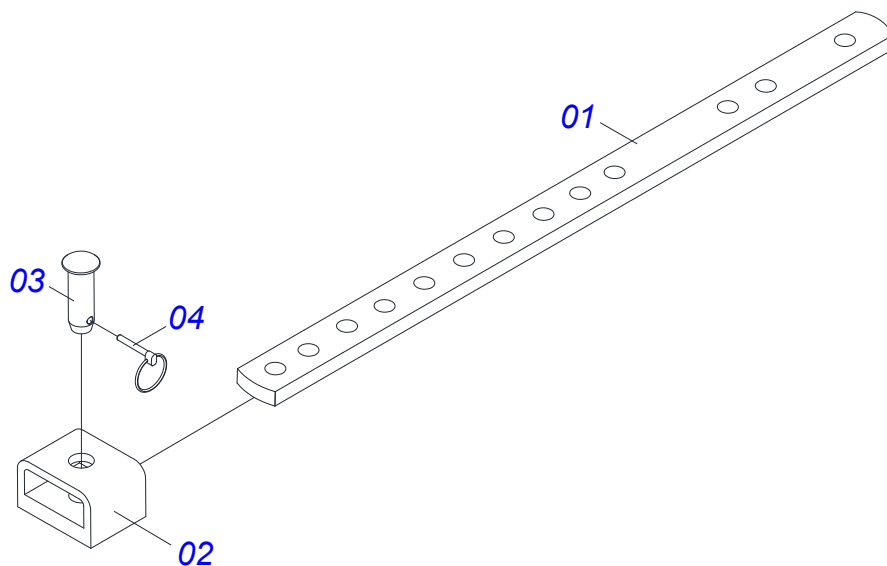
Item	Code	Description	See page	QT
01	0501060299	DRAWBAR ASSY		01
02	0501010272	UPPER/LOWER PLATE		02
03	0501810295	BOLT 1.1/2 NC X 172		05
04	0501812916	FLAT WASHER		05
05	0501811301	CASTLE NUT		05
06	0503010010	1/4" X 2.1/2" SPLIT PIN		05
07	0501060317	TRACTOR HITCH		01
08	0501816415	BOLT 1.1/2 NC X 245		01
09	0501811301	CASTLE NUT		01
10	0503010010	1/4" X 2.1/2" SPLIT PIN		01

ADJUSTMENT ASSY

0501040057



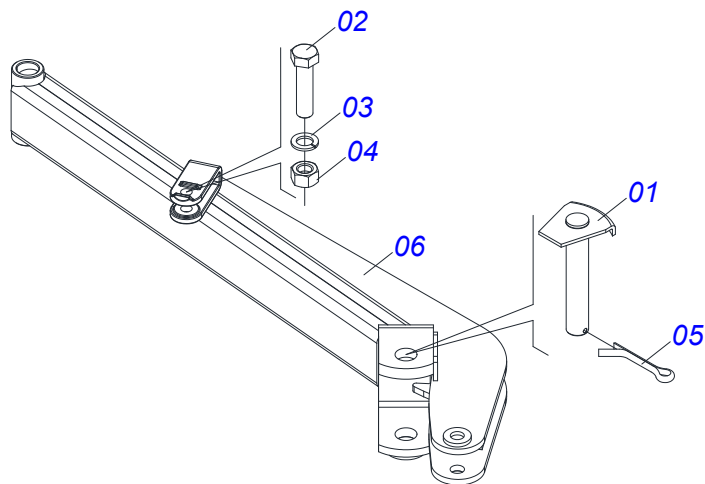
Item	Code	Description	See page	QT
01	0501060314	VALVE PROTECTION		01
02	0501060185	ADJUSTMENT LOCK		01
03	0501068981	ADJUSTMENT LEVER		01
04	0503030025	1.4" X 0.2" TORSION SPRING		01
05	0503010071	3/16" X 1" SPLIT PIN		02
06	0521810624	COUPLING SHAFT 11,10 X 38		01



Item	Code	Description	See page	QT
01	0501013284	ADJUSTMENT BAR		01
02	0501060434	BEATER BOX		01
03	0521810573	COUPLING SHAFT 25 X 80		01
04	0503010571	SPLIT PIN 1/4" X 1.1/2"		01

REAR STABILIZER BAR ASSY

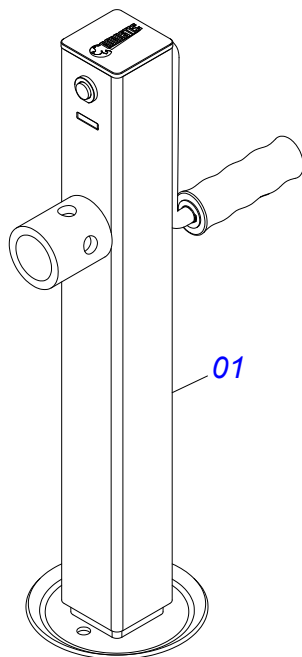
0501040324



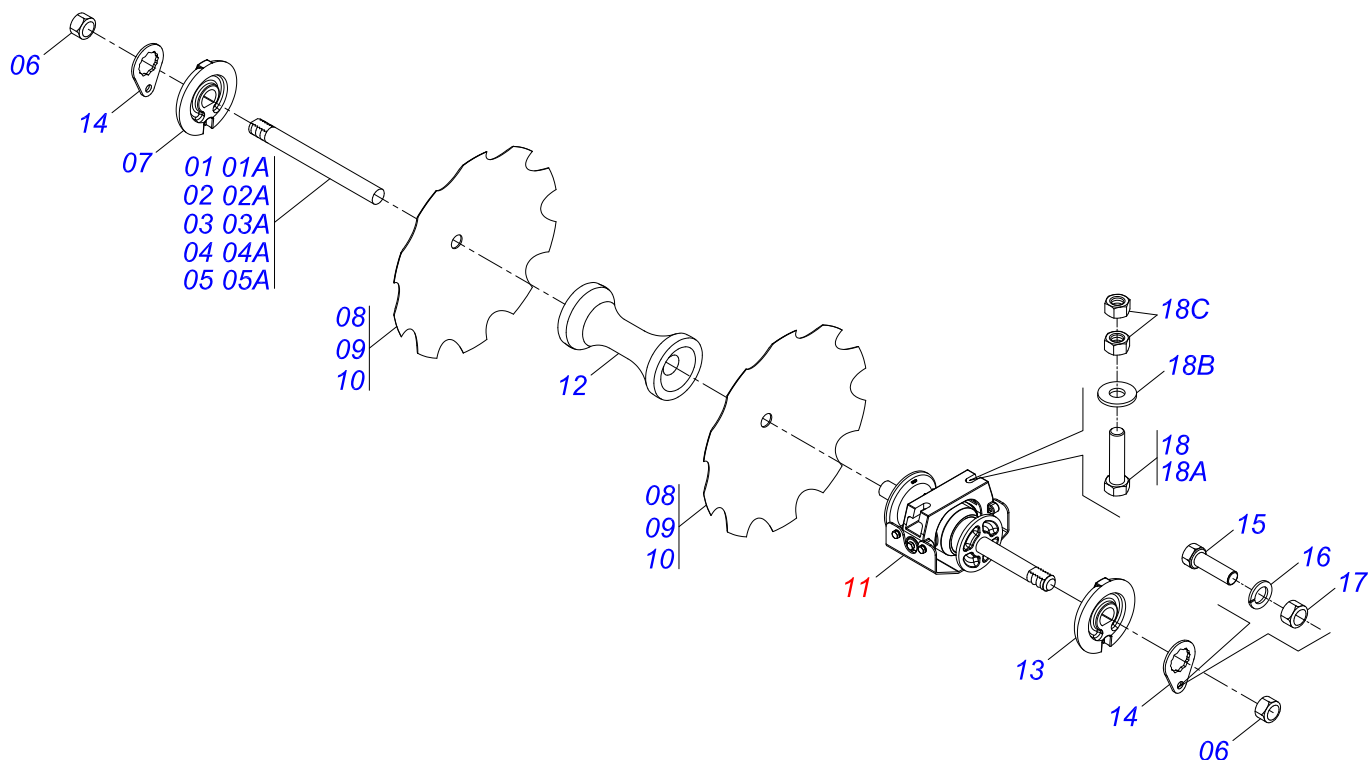
Item	Code	Description	See page	QT
01	0501063253	2" X 11.9" COUPLING SHAFT		01
02	0503811432	BOLT		01
03	0503011438	SPRING WASHER		01
04	0501810059	1" NUT		01
05	0503010534	3/8" X 2.1/2" SPLIT PIN		01
06	0501060450	REAR STABILIZER BAR ASSY		01

DRAWBAR JACK

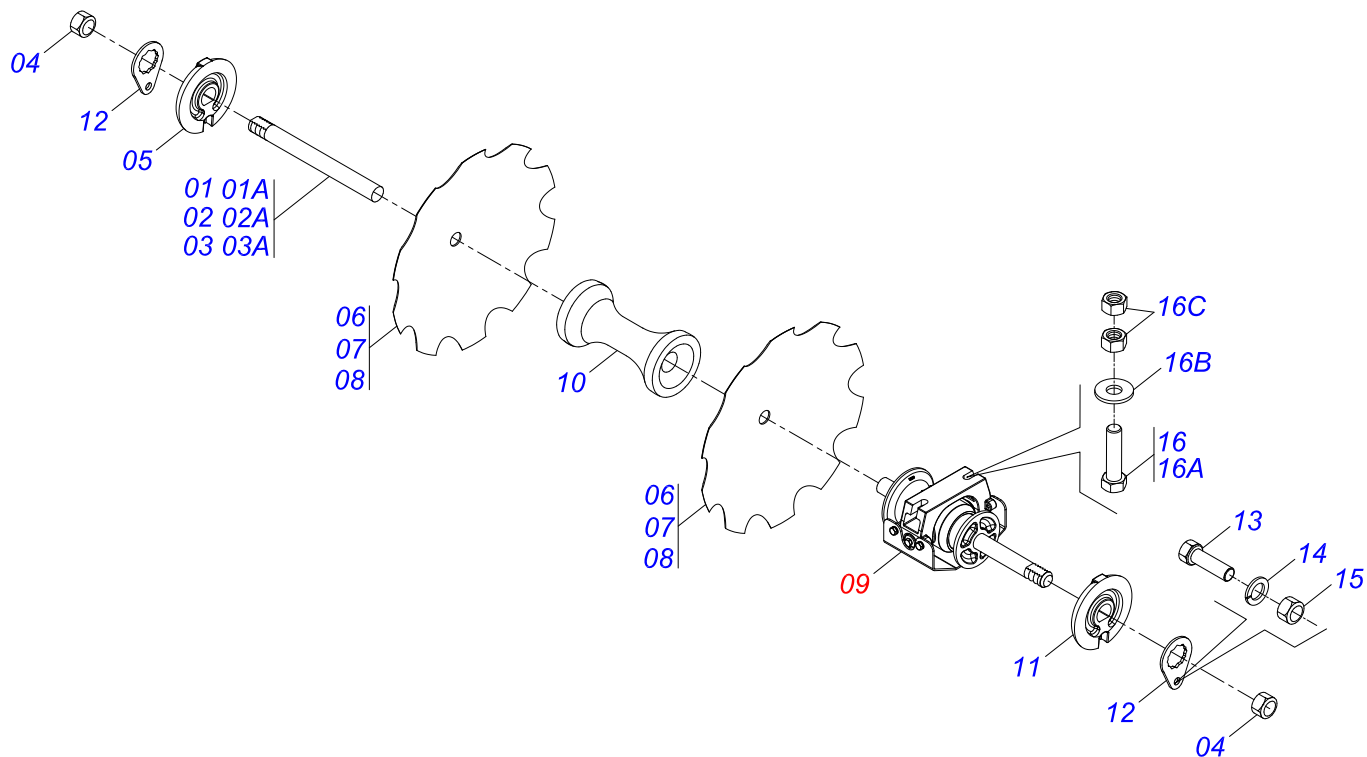
0503062157



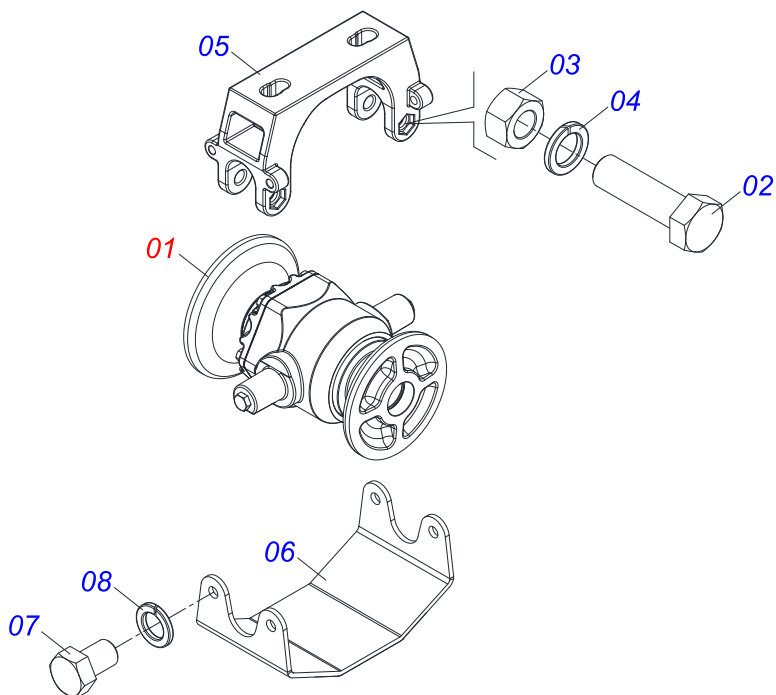
Item	Code	Description	See page	QT
01	0503062157	DRAWBAR JACK	10	01



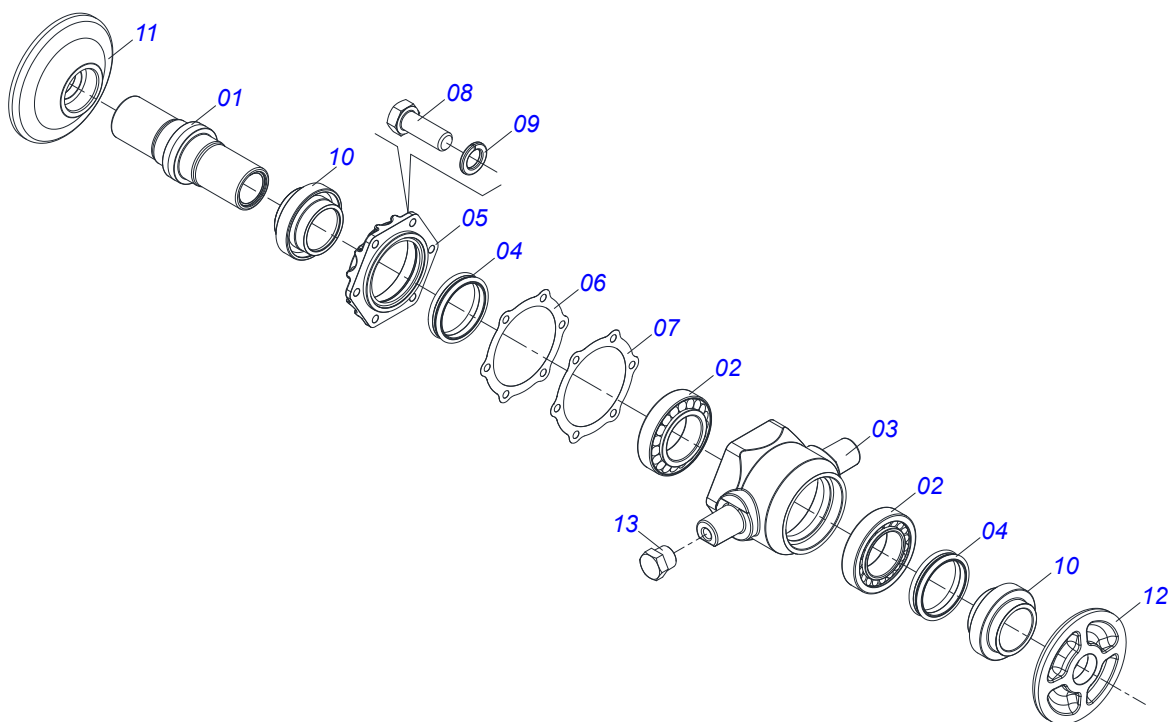
Item	Code	Description	See page	12 14 16 18 20				
				12	14	16	18	20
01	0501046811	1-5/8" X 38" AXLE WITH NUTS 2-3/4"		00	00	00	02	00
01A	0501019013	1-5/8" X 38" AXLE		00	00	00	02	00
02	0501046854	1-5/8" X 48" AXLE WITH NUTS 2-3/4"		00	00	00	02	04
02A	0501019016	1-5/8 X 48" AXLE		00	00	00	02	04
03	0501046856	1-5/8" X 59" AXLE WITH NUTS 2-3/4"		02	00	00	00	00
03A	0501019012	1-5/8" X 59" AXLE		02	00	00	00	00
04	0501046859	1-5/8" X 70" AXLE WITH NUTS 2-3/4"		00	02	00	00	00
04A	0501015631	1-5/8" X 70" AXLE		00	02	00	00	00
05	0501046861	1-5/8" X 80" AXLE WITH NUTS 2-3/4"		00	00	02	00	00
05A	0501019015	1-5/8 X 80" AXLE		00	00	02	00	00
06	0502840640	1.5/8" 2.3/4" NUT		04	04	04	08	08
07	0502011048	1-5/8" EXTERNAL AXLE WASHER		02	02	02	04	04
08	0602033005	DR 26 X 6,00 C90AF04FR1.11/16 10R		12	14	16	18	20
09	0602037004	DR 28 X 6,00 C102AF04FR1.11/16 10R		12	14	16	18	00
10	0602037006	DR 28 X 7,50 C102AF04FR1.11/16 10R		00	00	16	18	20
11	0511048375	DMO 262 X 1.5/8 AGRICULTURAL BEARING ASSY	13	04	04	06	08	08
12	0502010703	10.35" 1-5/8" SPACER		06	08	08	06	08
13	0502011047	1-5/8" INNER AXLE WASHER		02	02	02	04	04
14	0511014339	1-5/8" 2.8" NUT LOCK		04	04	04	08	08
15	0503011267	BOLT 5/8" UNC X 1.1/2 C S G.5 ZN		04	04	04	08	08
16	0503010027	SPRING WASHER 5/8"		04	04	04	08	08
17	0503010013	HEX NUT 5/8 UNC G.5 ZN		04	04	04	08	08
18	0521047424	SCREW ASSY		08	08	12	16	16
18A	0501010500	3/4" X 3" BOLT		08	08	12	16	16
18B	0501010322	FLAT WASHER 20.50 X 46 X 4.00 ZN		08	08	12	16	16
18C	0503012183	NUT SNC 3/4" ZIN 1K03097		16	16	24	32	32



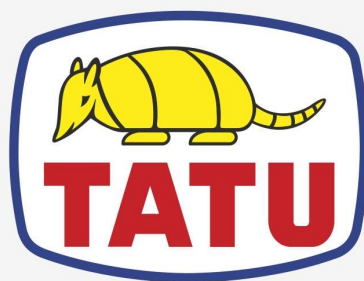
Item	Code	Description	See page	24	28	32	26	40
				24	28	32	26	40
01	0501046854	1-5/8" X 48" AXLE WITH NUTS 2-3/4"		00	00	04	00	00
01A	0501019016	1-5/8 X 48" AXLE		00	00	04	00	00
02	0501046856	1-5/8" X 59" AXLE WITH NUTS 2-3/4"		04	00	02	06	02
02A	0501019012	1-5/8" X 59" AXLE		04	00	02	06	02
03	0501046859	1-5/8" X 70" AXLE WITH NUTS 2-3/4"		00	04	00	00	04
03A	0501015631	1-5/8" X 70" AXLE		00	04	00	00	04
04	0502840640	1.5/8" 2.3/4" NUT		08	08	12	12	12
05	0502011048	1-5/8" EXTERNAL AXLE WASHER		04	04	06	06	06
06	0602033005	DR 26 X 6,00 C90AF04FR1.11/16 10R		24	28	00	36	40
07	0602033006	DR 26 X 6,00 C90AF04FR1.13/16 10R		00	00	32	00	00
08	0602037006	DR 28 X 7,50 C102AF04FR1.11/16 10R		24	28	32	36	40
09	0511048375	DMO 262 X 1.5/8 AGRICULTURAL BEARING ASSY	13	08	08	12	12	12
10	0502010703	10.35" 1-5/8" SPACER		12	16	14	12	12
11	0502011047	1-5/8" INNER AXLE WASHER		04	04	06	06	06
12	0511014339	1-5/8" 2.8" NUT LOCK		08	08	12	12	16
13	0503011267	BOLT 5/8" UNC X 1.1/2 C S G.5 ZN		08	08	12	12	16
14	0503010027	SPRING WASHER 5/8"		08	08	12	12	16
15	0503010013	HEX NUT 5/8 UNC G.5 ZN		08	08	12	12	16
16	0521047424	SCREW ASSY		16	16	24	24	24
16A	0501010500	3/4" X 3" BOLT		16	16	24	24	24
16B	0501010322	FLAT WASHER 20.50 X 46 X 4.00 ZN		16	16	24	24	24
16C	0503012183	NUT SNC 3/4" ZIN 1K03097		32	32	48	48	48



Item	Code	Description	See page	QT
01	0501059733	DMO 262 X 1.5/8 AGRICULTURAL BEARING	14	01
02	0503010762	SCREW 5/8 UNC X 3.1/2 CS G.5 ZN		02
03	0503010013	HEX NUT 5/8 UNC G.5 ZN		02
04	0503010027	SPRING WASHER 5/8"		02
05	0502012626	CENTER OSCILLATING BEARING SUPPORT		01
06	0501213922	BEARING LID		01
07	0503010834	1/2 X 1 BOLT		04
08	0503010019	SPRING WASHER 1/2"		04



Item	Code	Description	See page	QT
01	0502010900	BEARING AXLE		01
02	0503010005	32212 ROLLER BEARING		02
03	0502020691	BEARING HUB		01
04	0503030027	DUO-CONE SEAL		02
05	0502020161	WEAR PLATE BEARING		01
06	0503030030	5.6" X 4.4" X 0.01" GASKET		02
07	0503030685	5.5" X 4.4" X 0.003" GASKET		01
08	0503810237	3/8 UNC X 1 C S G.5 SA BOLT		06
09	0503011443	SPRING WASHER 3/8"		06
10	0502010735	SEAL RETAINER		02
11	0502040239	OUTER FLANGE		01
12	0502040240	INNER FLANGE		01
13	0503010856	OIL PLUG R 3/8 BSPT		02



MARCHESAN

Technical Publications | Elaboration and Revision

VINICIUS EDUARDO DA SILVA

www.marchesan.com.br

