

OFFSET DISK HARROW

GAI PA 12 A 40 D

Code: 0501093744
Series: S-1023
Revision: 00
Revision Date: FEBRUARY/2025

PARTS CATALOGUE



MARCHESAN



PRODUCTS

Code	Working Width	Description
0102250252		GAI 12 X 26 X 6,00 DR DMO E 1.5/8 PA S-1023
0102250251		GAI 12 X 28 X 6,00 DR DMO E 1.5/8 PA S-1023
0102250248		GAI 14 X 26 X 6,00 DR DMO E 1.5/8 PA S-1023
0102250247		GAI 14 X 28 X 6,00 DR DMO E 1.5/8 PA S-1023
0102250246		GAI 14 X 28 X 7,50 DR DMO E 1.5/8 PA S-1023
0102250255		GAI 16 X 26 X 6,00 DR DMO E 1.5/8 PA S-1023
0102250254		GAI 16 X 28 X 6,00 DR DMO E 1.5/8 PA S-1023
0102250256		GAI 16 X 28 X 7,50 DR DMO E 1.5/8 PA S-1023
0102250264		GAI 18 X 26 X 6,00 DR DMO E 1.5/8 PA S-1023
0102250265		GAI 18 X 28 X 6,00 DR DMO E 1.5/8 PA S-1023
0102250266		GAI 18 X 28 X 7,50 DR DMO E 1.5/8 PA S-1023
0102250268		GAI 20 X 26 X 6,00 DR DMO E 1.5/8 PA S-1023
0102250267		GAI 20 X 28 X 6,00 DR DMO E 1.5/8 PA S-1023
0102250269		GAI 20 X 28 X 7,50 DR DMO E 1.5/8 PA S-1023
0102250224		GAI 24 X 26 X 6,00 DR DMO E 1.5/8 PA S-1023
0102250222		GAI 24 X 28 X 6,00 DR DMO E 1.5/8 PA S-1023
0102250223		GAI 24 X 28 X 7,50 DR DMO E 1.5/8 PA S-1023
0102250228		GAI 28 X 26 X 6,00 DMO E 1.5/8 PA S-1023
0102250226		GAI 28 X 28 X 6,00 DR DMO E 1.5/8 PA S-1023
0102250225		GAI 28 X 28 X 7,50 DMO E 1.5/8 PA S/DC S-1023
0102250227		GAI 28 X 28 X 7,50 DR DMO E 1.5/8 PA S-1023
0102250236		GAI 32 X 26 X 6,00 DR DMO E 1.5/8 PA S-1023
0102250235		GAI 32 X 28 X 7,50 DR DMO E 1.5/8 PA S-1023
0102250239		GAI 36 X 26 X 6,00 DR DMO E 1.5/8 PA S-1023
0102250237		GAI 36 X 28 X 6,00 DR DMO E 1.5/8 PA S-1023
0102250238		GAI 36 X 28 X 7,50 DR DMO E 1.5/8 PA S-1023
0102250242		GAI 40 X 26 X 6,00 DR DMO E 1.5/8 PA S-1023
0102250243		GAI 40 X 28 X 7,50 DR DMO E 1.5/8 PA S-1023

ATTENTION: IMPORTANT

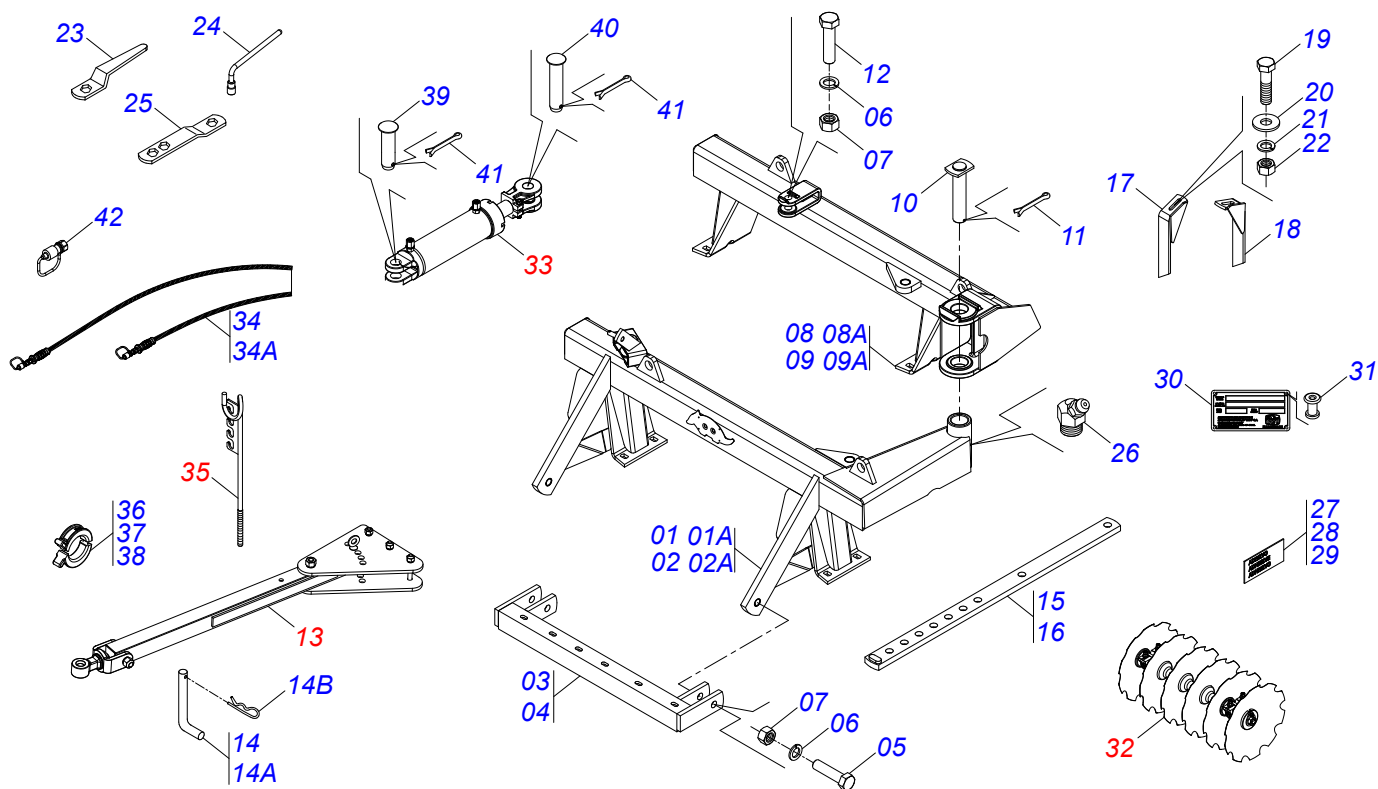
Marchesan S.A. reserves the right to improve and/or modify the technical features of its products, without obligation to do the same with those products already sold and without prior knowledge of the dealer or the customer. The photos are only illustrative.



MARCHESAN

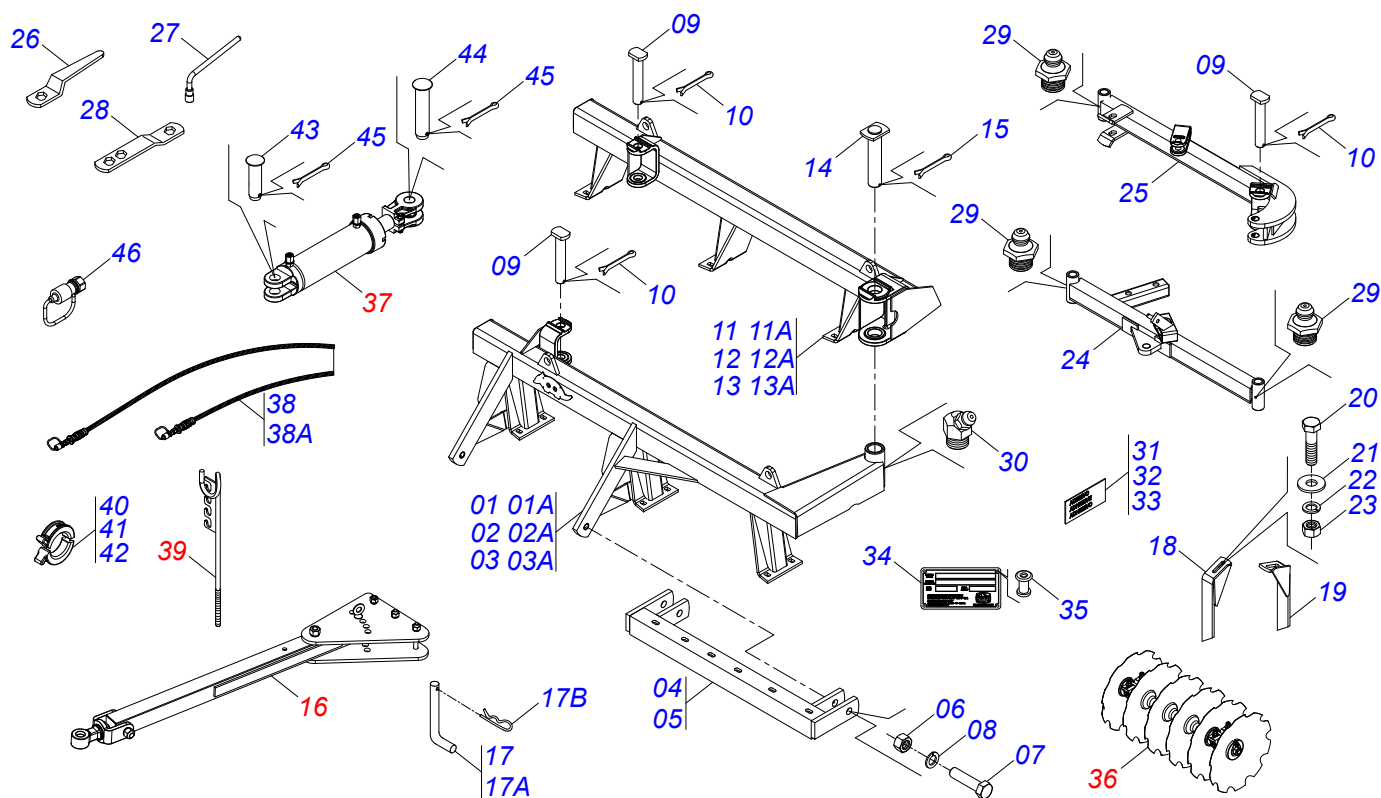
INDEX

0909097450	GAI PA 12 - 14	1
0909097451	GAI PA 16 - 20	2
0909097452	GAI PA 20 - 40	3
0501042816	TRACTION BAR ASSY	4
0511058424	HYDRAULIC CYLINDER	5
0501040257	3/4" X 38" HOSE SUPPORT ASSY	6
0501041372	DRAWBAR ASSY - 16/18/20/24D	7
0501041216	ADJUSTMENT BAR ASSY - 18/20/24/30D	8
0501040324	REAR STABILIZER BAR ASSY	9
0501041199	ADJUSTMENT BODY ASSY	10
0511059156	50,80 X 101,60 X 680 X 399 HYDRAULIC CYLINDER	11
0501051042	HOSE ASSY	12
0503062157	DRAWBAR JACK	13
0909097453	GANG DISC 12 - 20	14
0909097454	GANG DISC 24 - 40	15
0511048375	DMO 262 X 1.5/8 AGRICULTURAL BEARING ASSY	16
0501059733	DMO 262 X 1.5/8 AGRICULTURAL BEARING	17



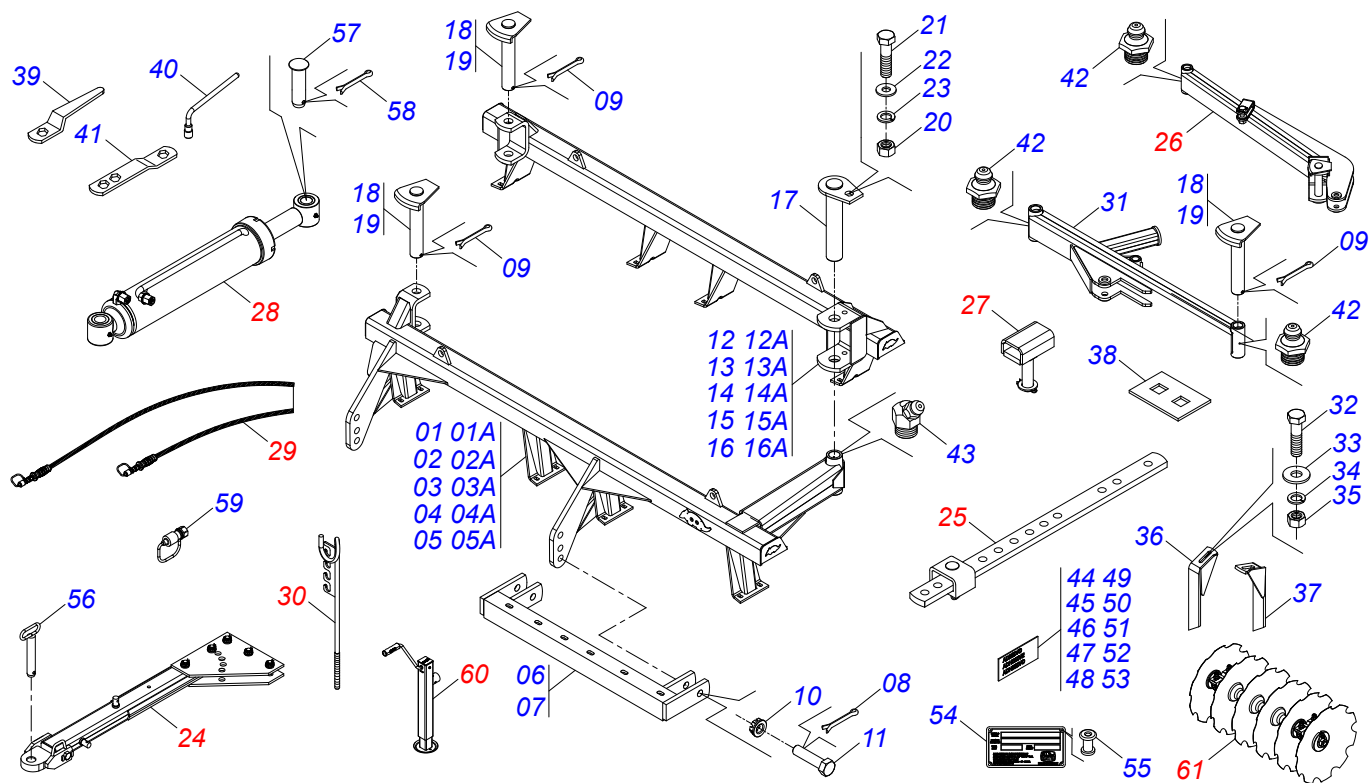
Item	Code	Description	See page	12 14	12 14
01	0501043815	FRONT FRAME ASSY		01 00	
01A	0501065490	FRAME FRONT		01 00	
02	0501043817	FRONT FRAME ASSY		00 01	
02A	0501065523	FRAME FRONT		00 01	
03	0501065544	OFFSET BAR		01 00	
04	0501065546	OFFSET BAR		00 01	
05	0501011547	1" X 4-1/2" BOLT		02 02	
06	0503010012	SPRING WASHER 1"		03 03	
07	0501010059	NUT 1.5/8		03 03	
08	0501043822	REAR FRAME ASSY		01 00	
08A	0501065491	REAR FRAME		01 00	
09	0501043824	REAR FRAME ASSY		00 01	
09A	0501065524	REAR FRAME		00 01	
10	0501065487	2.4" X 123" COUPLING SHAFT		01 01	
11	0503010073	3/8" X 3.1/2" SPLIT PIN		01 01	
12	0503011432	BOLT		01 01	
13	0501042816	TRACTION BAR ASSY	4	01 01	
14	0501040343	HITCH AXIS ASSY		01 01	
14A	0521010453	JOINT AXIS		01 01	
14B	0503031035	HITCH PIN CLIP		01 01	
15	0501064196	ADJUSTMENT BAR		01 00	
16	0501064198	ADJUSTMENT BAR		00 01	
17	0501064168	FRONT SCRAPER		03 04	
18	0501064167	REAR SCRAPER		03 04	
19	0503011082	C1/2" X 1.3/4" SCREW		12 16	
20	0511017302	FLAT WASHER 13.50 X 32.50 X 3.0 ZN		12 16	
21	0503010019	SPRING WASHER 1/2"		12 16	
22	0503010060	HEX NUT 1/2 UNC G.5 ZN		12 16	
23	0501011431	1-3/4" GANG BOLT WRENCH		02 02	
24	0503018438	1" WRENCH CYLINDRICAL HEX		01 01	
25	0511018451	5/8" X 3/4" X 1" UNIVERSAL		01 01	
26	0503010003	GREASE FITTING 3/8"		01 01	

Item	Code	Description	See page	12	14
27	0503033427	TATU LOGO DECAL		02	02
28	0503034120	GAI DECAL		01	01
29	0503034438	OPENING/CLOSING OF SECTIONS DECAL		01	01
30	0503034003	61 X 118 SERIAL NUMBER TAG		01	01
31	0503010001	RIVET 3,2 X 5,5		04	04
32		GANG DISC 12 - 20	14		
33	0511058424	HYDRAULIC CYLINDER	5	01	01
34	0501051040	HOSE SET		01	01
34A	0501080361	3/8" X 157.50" TR-TM HOSE		02	02
35	0501040257	3/4" X 38" HOSE SUPPORT ASSY	6	01	01
36	0501047895	25 ROD STOP		03	03
37	0501047886	35 ROD STOP		01	01
38	0501047888	45 ROD STOP		01	01
39	0521012538	1.2" X 3.5" COUPLING SHAFT		01	01
40	0521010546	1.2" X 5.7" COUPLING SHAFT		01	01
41	0503010571	SPLIT PIN 1/4" X 1.1/2"		02	02
42	0501053834	MALE QUICK COUPLER		02	02



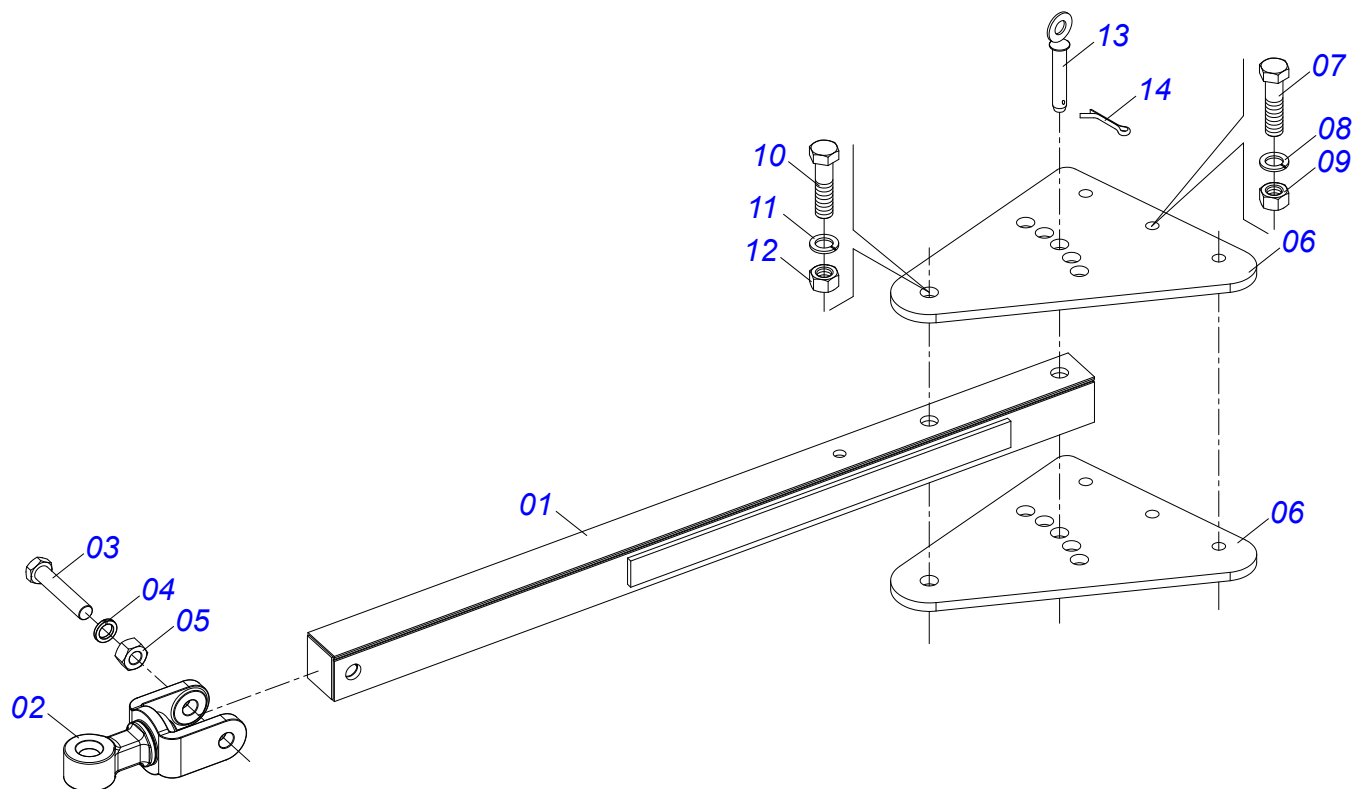
Item	Code	Description	See page	16 18 20	16 18 20
01	0501043818	FRONT FRAME ASSY GAI 16		01 00 00	01 00 00
01A	0501065528	FRAME FRONT		01 00 00	01 00 00
02	0501043819	FRONT FRAME ASSY GAI 18		00 01 00	00 01 00
02A	0501065535	FRAME FRONT		00 01 00	00 01 00
03	0501043820	FRONT FRAME ASSY GAI 20		00 00 01	00 00 01
03A	0501065539	FRAME FRONT		00 00 01	00 00 01
04	0501065545	OFFSET BAR		01 00 00	01 00 00
05	0501065546	OFFSET BAR		00 01 01	00 01 01
06	0501810059	1" NUT		02 02 02	02 02 02
07	0501811547	BOLT		02 02 02	02 02 02
08	0503011438	SPRING WASHER		02 02 02	02 02 02
09	0521010644	1.5" X 8.4" COUPLING SHAFT		03 03 03	03 03 03
10	0503010534	3/8" X 2.1/2" SPLIT PIN		03 03 03	03 03 03
11	0501043825	REAR FRAME ASSY		01 00 00	01 00 00
11A	0501065527	REAR FRAME		01 00 00	01 00 00
12	0501043826	REAR FRAME ASSY GAI 18		00 01 00	00 01 00
12A	0501065536	REAR FRAME		00 01 00	00 01 00
13	0501043827	REAR FRAME ASSY		00 00 01	00 00 01
13A	0501065540	REAR FRAME		00 00 01	00 00 01
14	0501065487	2.4" X 123" COUPLING SHAFT		01 01 01	01 01 01
15	0503010073	3/8" X 3.1/2" SPLIT PIN		01 01 01	01 01 01
16	0501042816	TRACTION BAR ASSY	4	01 01 01	01 01 01
17	0501040343	HITCH AXIS ASSY		01 01 01	01 01 01
17A	0521010453	JOINT AXIS		01 01 01	01 01 01
17B	0503031035	HITCH PIN CLIP		01 01 01	01 01 01
18	0501064168	FRONT SCRAPER		04 04 05	04 04 05
19	0501064167	REAR SCRAPER		04 04 05	04 04 05
20	0503011082	C1/2" X 1.3/4" SCREW		16 16 20	16 16 20
21	0511017302	FLAT WASHER 13.50 X 32.50 X 3.0 ZN		16 16 20	16 16 20
22	0503010019	SPRING WASHER 1/2"		16 16 20	16 16 20
23	0503010060	HEX NUT 1/2 UNC G.5 ZN		16 16 20	16 16 20
24	0501062507	FRONT STABILIZER BAR		01 01 01	01 01 01

Item	Code	Description	See page	16 18 20		
				16	18	20
25	0501062509	REAR STABILIZER BAR		01	01	01
26	0501011431	1-3/4" GANG BOLT WRENCH		02	02	02
27	0503018438	1" WRENCH CYLINDRICAL HEX		01	01	01
28	0511018451	5/8" X 3/4" X 1" UNIVERSAL		01	01	01
29	0503010002	GREASE FITTING 1800		03	03	03
30	0503010003	GREASE FITTING 3/8"		01	01	01
31	0503033427	TATU LOGO DECAL		02	02	02
32	0503034120	GAI DECAL		01	01	01
33	0503034438	OPENING/CLOSING OF SECTIONS DECAL		01	01	01
34	0503034003	61 X 118 SERIAL NUMBER TAG		01	01	01
35	0503010001	RIVET 3,2 X 5,5		04	04	04
36		GANG DISC 12 - 20	14			
37	0511058424	HYDRAULIC CYLINDER	5	01	01	01
38	0501051040	HOSE SET		01	01	01
38A	0501080361	3/8" X 157.50" TR-TM HOSE		02	02	02
39	0501040257	3/4" X 38" HOSE SUPPORT ASSY	6	01	01	01
40	0501047895	25 ROD STOP		03	03	03
41	0501047886	35 ROD STOP		01	01	01
42	0501047888	45 ROD STOP		01	01	01
43	0521012538	1.2" X 3.5" COUPLING SHAFT		01	01	01
44	0521010546	1.2" X 5.7" COUPLING SHAFT		01	01	01
45	0503010571	SPLIT PIN 1/4" X 1.1/2"		02	02	02
46	0501053834	MALE QUICK COUPLER		02	02	02

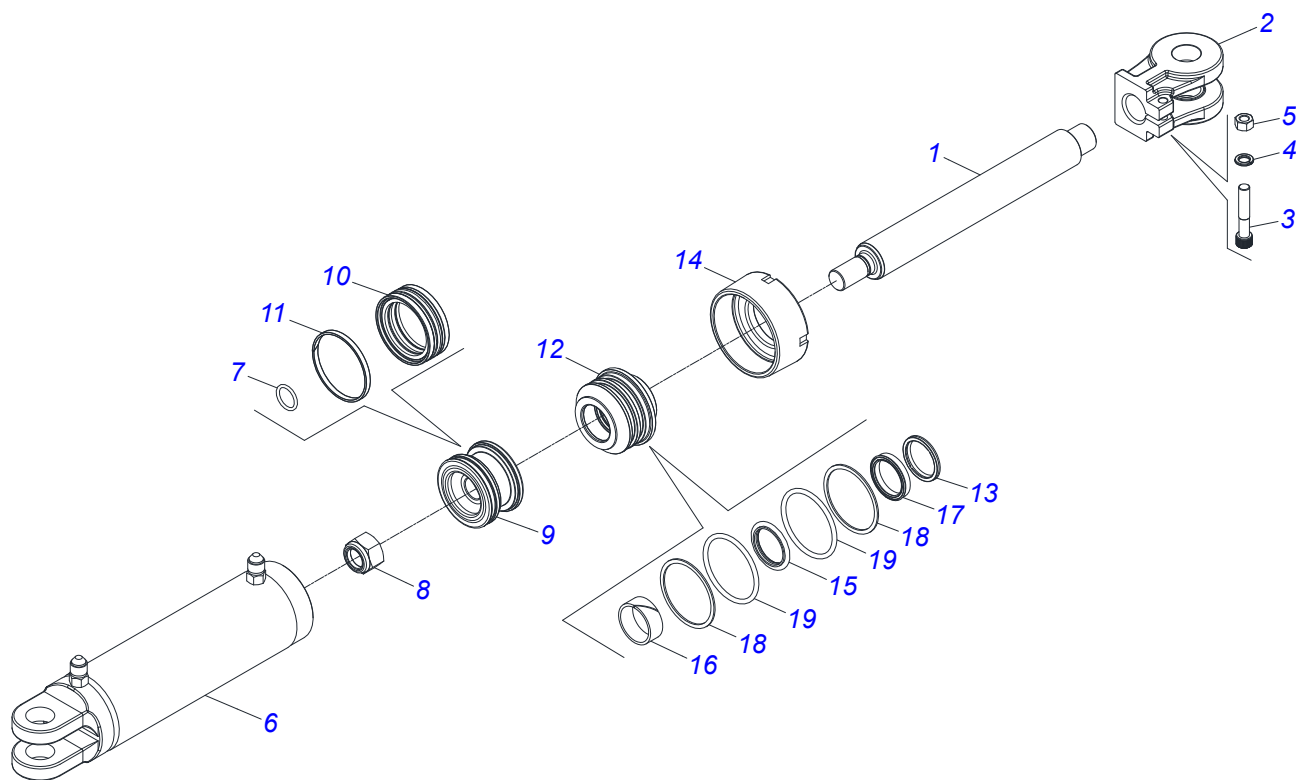


Item	Code	Description	See page	24 28 32 36 40				
				24	28	32	36	40
01	0501040350	FRONT FRAME ASSY GAI 24		01	00	00	00	00
01A	0501061582	FRAME FRONT		01	00	00	00	00
02	0501040352	FRONT FRAME ASSY GAI 28		00	01	00	00	00
02A	0501061598	FRAME FRONT		00	01	00	00	00
03	0501040354	FRONT FRAME ASSY GAI 32		00	00	01	00	00
03A	0501061600	FRAME FRONT		00	00	01	00	00
04	0501040356	FRONT FRAME ASSY GAI 36		00	00	00	01	00
04A	0501061601	FRAME FRONT		00	00	00	01	00
05	0501042972	FRONT FRAME ASSY GAI 40		00	00	00	00	01
05A	0501064997	FRAME FRONT		00	00	00	00	01
06	0521062520	OFFSET BAR		01	00	01	01	01
07	0501061586	OFFSET BAR		00	01	00	00	00
08	0503010010	1/4" X 2.1/2" SPLIT PIN		02	02	02	02	02
09	0503010534	3/8" X 2.1/2" SPLIT PIN		03	03	03	03	03
10	0501011301	1.1/2" UNC 6FPP 2.5/16" NUT		02	02	02	02	02
11	0501016416	1-1/2" X 5.4" BOLT		02	02	02	02	02
12	0501040351	REAR FRAME ASSY GAI 24		01	00	00	00	00
12A	0501061585	REAR FRAME		01	00	00	00	00
13	0501040353	REAR FRAME ASSY GAI 28		00	01	00	00	00
13A	0501061599	REAR FRAME		00	01	00	00	00
14	0501040355	REAR FRAME ASSY GAI 32		00	00	01	00	00
14A	0501061602	REAR FRAME		00	00	01	00	00
15	0501040357	REAR FRAME ASSY GAI 36		00	00	00	01	00
15A	0501061603	REAR FRAME		00	00	00	01	00
16	0501042973	REAR FRAME ASSY GAI 40		00	00	00	00	01
16A	0501064998	REAR FRAME		00	00	00	00	01
17	0501062185	2.5" X 13.6" COUPLING SHAFT		01	01	01	01	01
18	0501063253	2" X 11.9" COUPLING SHAFT		03	03	03	03	00
19	0521010644	1.5" X 8.4" COUPLING SHAFT		00	00	00	00	03
20	0501010059	NUT 1.5/8		01	01	01	01	01
21	0501010276	BOLT		01	01	01	01	01
22	0501011445	FLAT WASHER		01	01	01	01	01

Item	Code	Description	See page	24 28 32 36 40				
				24	28	32	36	40
23	0503010012	SPRING WASHER 1"		01	01	01	01	01
24	0501041372	DRAWBAR ASSY - 16/18/20/24D	7	01	01	01	01	01
25	0501041216	ADJUSTMENT BAR ASSY - 18/20/24/30D	8	01	01	01	01	01
26	0501040324	REAR STABILIZER BAR ASSY	9	01	01	01	01	01
27	0501041199	ADJUSTMENT BODY ASSY	10	01	01	01	01	01
28	0511059156	50,80 X 101,60 X 680 X 399 HYDRAULIC CYLINDER	11	01	01	01	01	01
29	0501051042	HOSE ASSY	12	01	01	01	01	01
30	0501040257	3/4" X 38" HOSE SUPPORT ASSY	6	01	01	01	01	01
31	0501060448	FRONT STABILIZER BAR - 18/20/24/30D		01	01	01	01	01
32	0503010740	BOLT 1/2 UNC X 2 CS G.5 ZN		28	36	36	44	52
33	0511017302	FLAT WASHER 13.50 X 32.50 X 3.0 ZN		28	36	36	44	52
34	0503010019	SPRING WASHER 1/2"		28	36	36	44	52
35	0503010060	HEX NUT 1/2 UNC G.5 ZN		28	36	36	44	52
36	0501065827	FRONT CLEANER		07	09	09	11	13
37	0501065828	REAR CLEANER		07	09	09	11	13
38	0501010242	SCRAPER LOCK		14	18	18	22	26
39	0501011431	1-3/4" GANG BOLT WRENCH		02	02	02	02	02
40	0503018438	1" WRENCH CYLINDRICAL HEX		01	01	01	01	01
41	0511018451	5/8" X 3/4" X 1" UNIVERSAL		01	01	01	01	01
42	0503010002	GREASE FITTING 1800		04	04	04	04	04
43	0503010003	GREASE FITTING 3/8"		01	01	01	01	01
44	0503033427	TATU LOGO DECAL		02	02	02	02	02
45	0503034120	GAI DECAL		01	01	01	01	01
46	0503034438	OPENING/CLOSING OF SECTIONS DECAL		01	01	01	00	01
47	0503060823	DECAL SET GNLCR		00	00	00	01	03
48	0503031087	AUTO CONTROL APPROVED DECAL		00	00	00	01	01
49	0503031428	ATTENTION READ MANUAL DECAL		00	00	00	01	01
50	0503031738	WARNING DECAL		00	00	00	00	01
51	0503031739	DANGER DECAL		00	00	00	00	01
52	0503031827	DAILY LUBRICATION AND RETIGHTENING DECAL		00	00	00	00	01
53	0503034078	LIFTING POINTS DECAL		00	00	00	00	04
54	0503034003	61 X 118 SERIAL NUMBER TAG		01	00	00	01	01
55	0503010001	RIVET 3,2 X 5,5		04	00	00	04	04
56	0501069080	COUPLING SHAFT		01	01	00	00	00
57	0521010546	1.2" X 5.7" COUPLING SHAFT		02	02	02	02	02
58	0503010523	1/4 X 2 SPLIT PIN		02	02	02	02	02
59	0501053834	MALE QUICK COUPLER		02	02	02	02	02
60	0503062157	DRAWBAR JACK	13	01	01	01	01	01
61		GANG DISC 24 - 40	15					



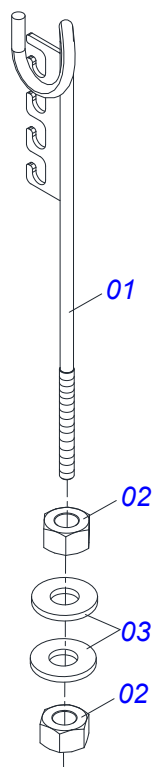
Item	Code	Description	See page	QT
01	0501060188	DRAWBAR ASSY		01
02	0521061775	TRACTOR HITCH		01
03	0501810060	SCREW 1 UNC X 6.1/2 CS G.5		01
04	0503011438	SPRING WASHER		01
05	0501810059	1" NUT		01
06	0501010241	UPPER /LOWER PLATE		02
07	0503811198	SCREW		03
08	0503011442	3/4" SPRING WASHER		03
09	0503810014	3/4" NUT		03
10	0501810191	1" X 6" ASSY BOLT		01
11	0503011438	SPRING WASHER		01
12	0501810059	1" NUT		01
13	0501868993	COUPLING SHAFT		01
14	0503010571	SPLIT PIN 1/4" X 1.1/2"		01



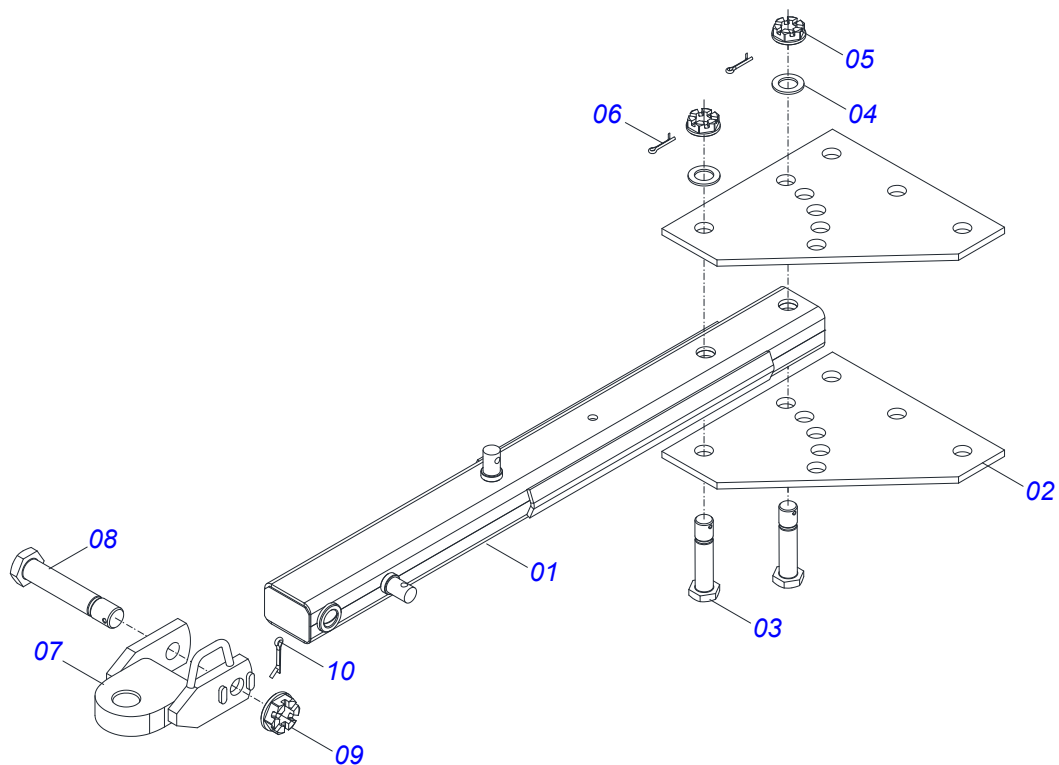
Item	Code	Description	See page	QT
01	0521010421	HYDRAULIC CYLINDER TURNBUCKLE		01
02	0502040747	32.54 CLEVIS CLAMP		01
03	0503011094	BOLT 3/8" UNC X 2" C C S I 12.9		01
04	0503010025	SPRING WASHER 3/8"		01
05	0503010026	NUT 3/8"		01
06	0511063257	3,4" X 12,3" CYLINDER CASE		01
07	0503010042	2-214 N 3006-9B O'RING		01
08	0503010063	1" SELF-ALIGNING NUT		01
09	0571019710	1.7" X 3.4" PISTON		01
10	0503017935	RING		01
11	0503018144	RING		01
12	0571019711	RING SUPPORT		01
13	0503010761	D-1750 SCRAPER RING		01
14	0571019709	DETACHABLE COVER		01
15	0503017936	RING		01
16	0503017938	RING GUIDE		01
17	0503017937	GASKET		01
18	0503017940	8-337 BACK-UP RING		02
19	0503017939	2-337 N 3006-9B O' RING		02

3/4" X 38" HOSE SUPPORT ASSY

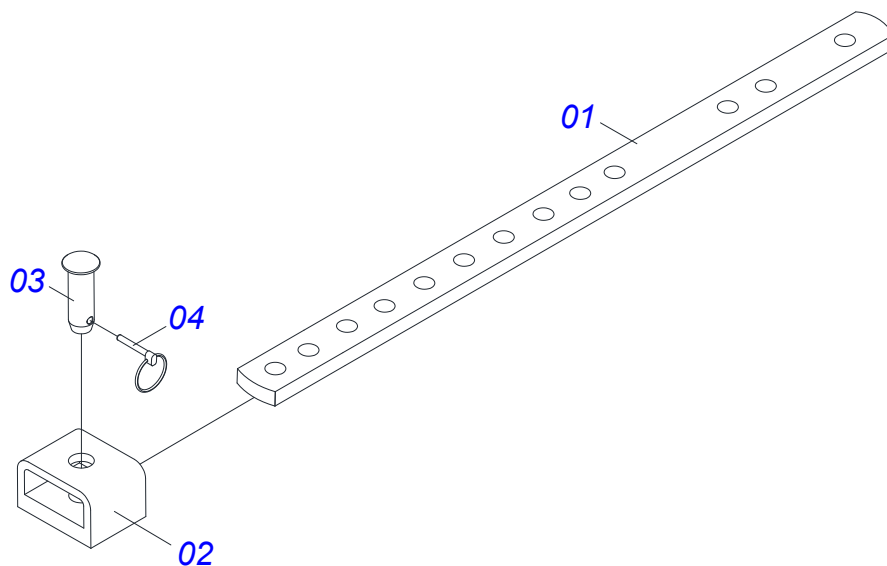
0501040257



Item	Code	Description	See page	QT
01	0511067334	HOSE SUPPORT		01
02	0503010014	HEX NUT 3/4" ZN G.5 (HEAVY) UNC		02
03	0501010322	FLAT WASHER 20.50 X 46 X 4.00 ZN		02



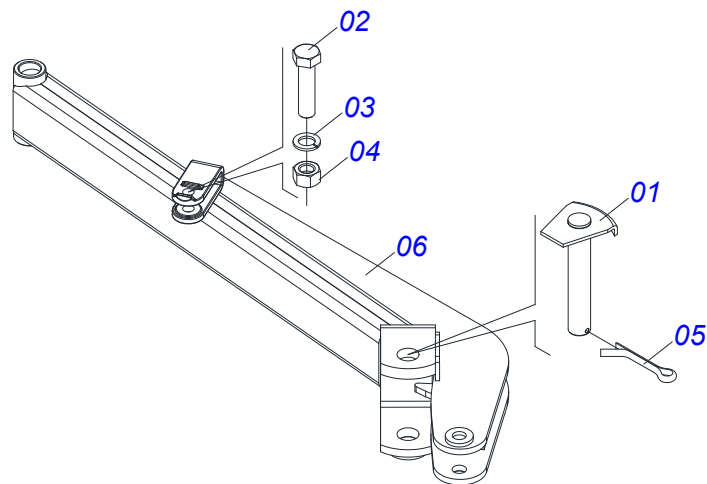
Item	Code	Description	See page	QT
01	0501060299	DRAWBAR ASSY		01
02	0501010272	UPPER/LOWER PLATE		02
03	0501810295	BOLT 1.1/2 NC X 172		05
04	0501812916	FLAT WASHER		05
05	0501811301	CASTLE NUT		05
06	0503010010	1/4" X 2.1/2" SPLIT PIN		05
07	0501060317	TRACTOR HITCH		01
08	0501816415	BOLT 1.1/2 NC X 245		01
09	0501811301	CASTLE NUT		01
10	0503010010	1/4" X 2.1/2" SPLIT PIN		01



Item	Code	Description	See page	QT
01	0501013284	ADJUSTMENT BAR		01
02	0501060434	BEATER BOX		01
03	0521810573	COUPLING SHAFT 25 X 80		01
04	0503010571	SPLIT PIN 1/4" X 1.1/2"		01

REAR STABILIZER BAR ASSY

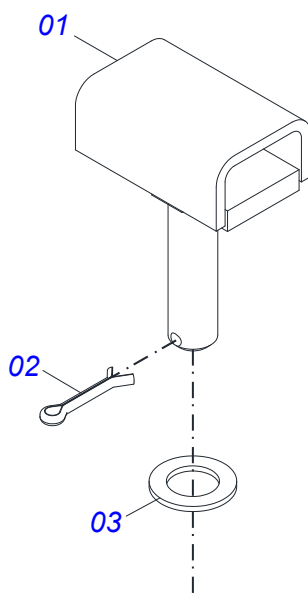
0501040324



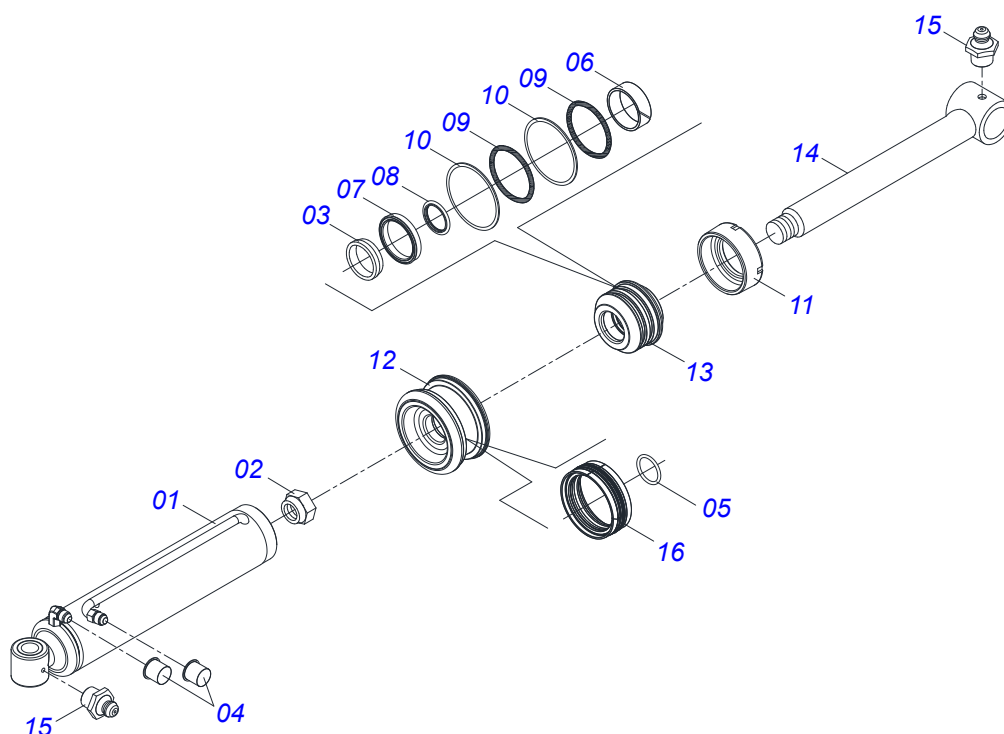
Item	Code	Description	See page	QT
01	0501063253	2" X 11.9" COUPLING SHAFT		01
02	0503811432	BOLT		01
03	0503011438	SPRING WASHER		01
04	0501810059	1" NUT		01
05	0503010534	3/8" X 2.1/2" SPLIT PIN		01
06	0501060450	REAR STABILIZER BAR ASSY		01

ADJUSTMENT BODY ASSY

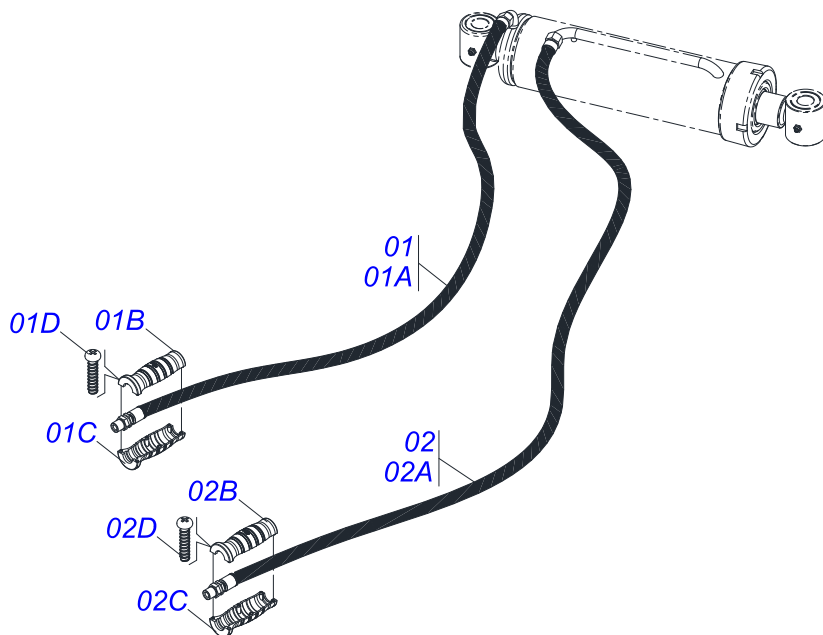
0501041199



Item	Code	Description	See page	QT
01	0501063206	ADJUSTMENT BODY		01
02	0503010534	3/8" X 2.1/2" SPLIT PIN		01
03	0501012916	FLAT WASHER 40 X 66 X 4,75 ZN		01



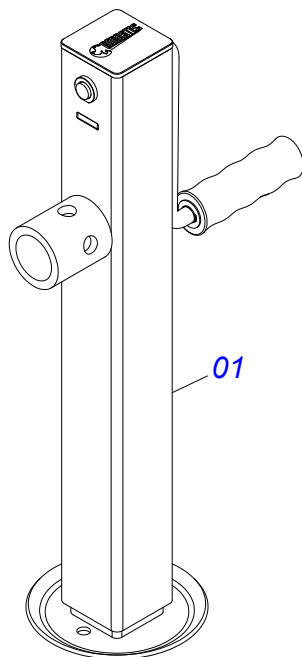
Item	Code	Description	See page	QT
01	0521066349	CYLINDER CASE		01
02	0503010817	1.1/4" SELF LOCKING NUT		01
03	0503010039	D-2000 SCRAPER RING		01
04	0503030387	PLUG		02
05	0503018029	O'RING 2-217 N 3006 90B		01
06	0503018025	RING GUIDE W2-2250-750		01
07	0503018026	GASKET 1870-2000-375 B POLYMAX		01
08	0503018024	RING BS OD050805200171D-BR		01
09	0503010338	2-342 N 3006-9B O'RING		02
10	0503011061	8-342 BACK-UP RING		02
11	0502012822	END CAP 4"		01
12	0502012820	2" X 4" PISTON		01
13	0502012821	2" X 4" RING SUPPORT		01
14	0511070665	PISTON ROD		01
15	0503010002	GREASE FITTING 1800		02
16	0503015633	SELEMASTER SEALING		01



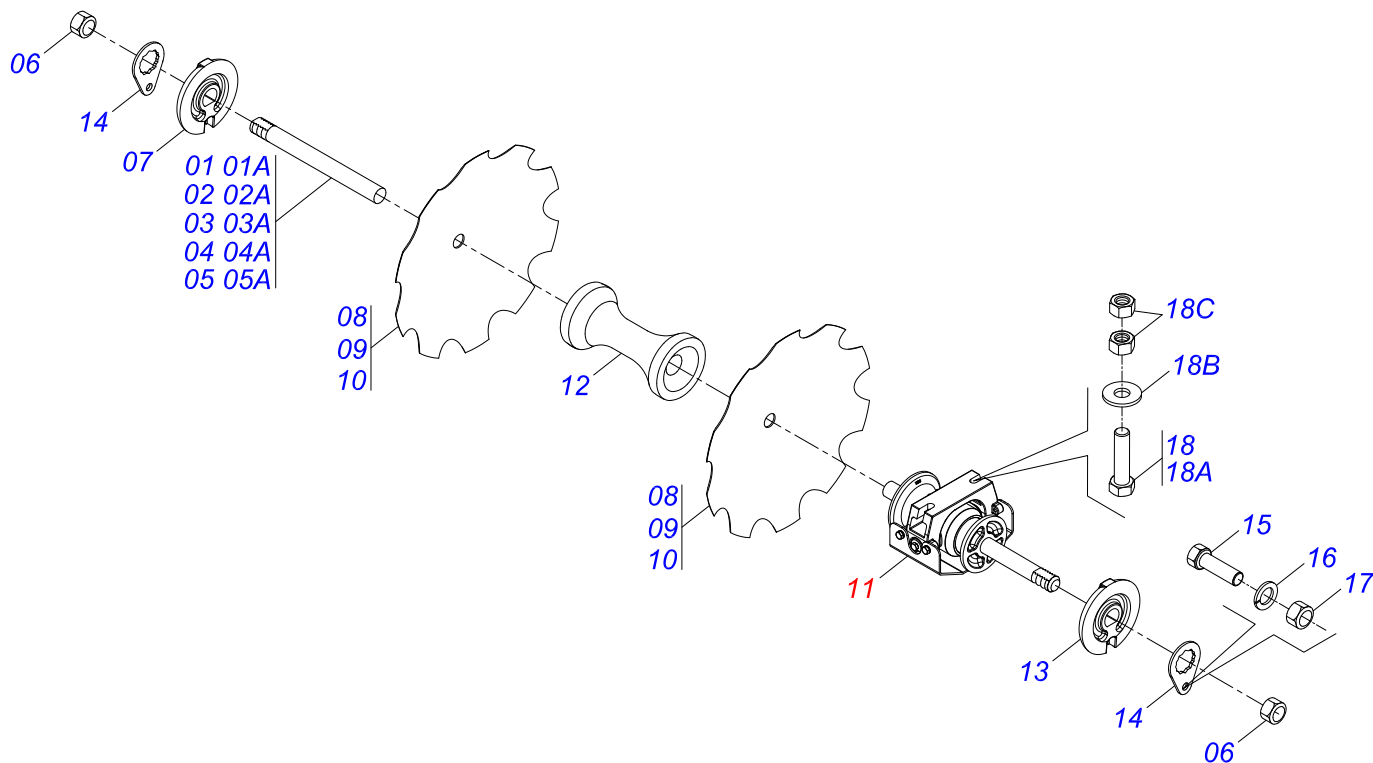
Item	Code	Description	See page	QT
01	0531053377	HOSE 1/2 X 4500 TR-TM PURPLE/RED		01
01A	0501080001	1/2" X 177" TR-TM HOSE		01
01B	0503034491	HYDRAULIC HOSE GRIP (PURPLE)		01
01C	0503034495	HYDRAULIC HOSE GRIP (RED)		01
01D	0503018952	PLASTIC BOLT PH 2.5 X 10 ZB		06
02	0531053376	HOSE 1/2 X 4500 TR-TM PURPLE/BLUE		01
02A	0501080001	1/2" X 177" TR-TM HOSE		01
02B	0503034491	HYDRAULIC HOSE GRIP (PURPLE)		01
02C	0503034494	HYDRAULIC HOSE GRIP (BLUE)		01
02D	0503018952	PLASTIC BOLT PH 2.5 X 10 ZB		06

DRAWBAR JACK

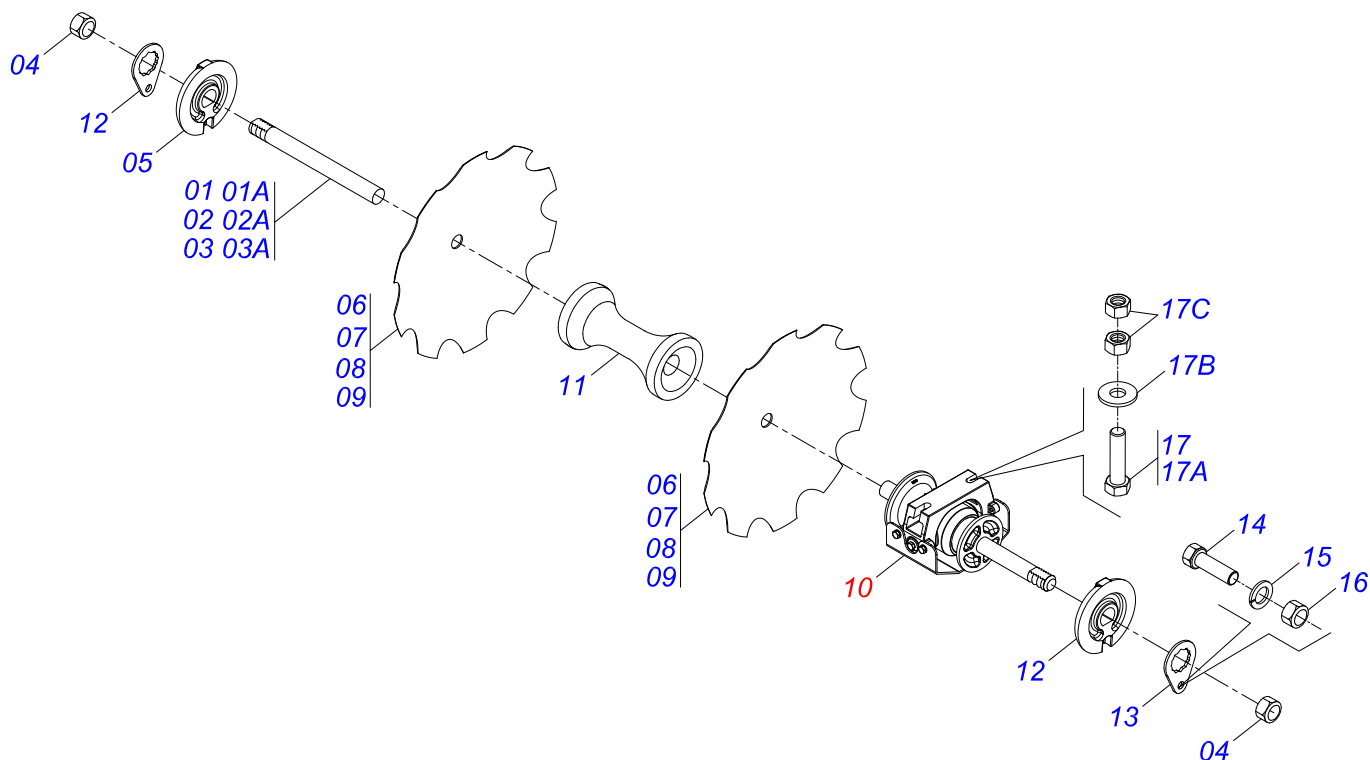
0503062157



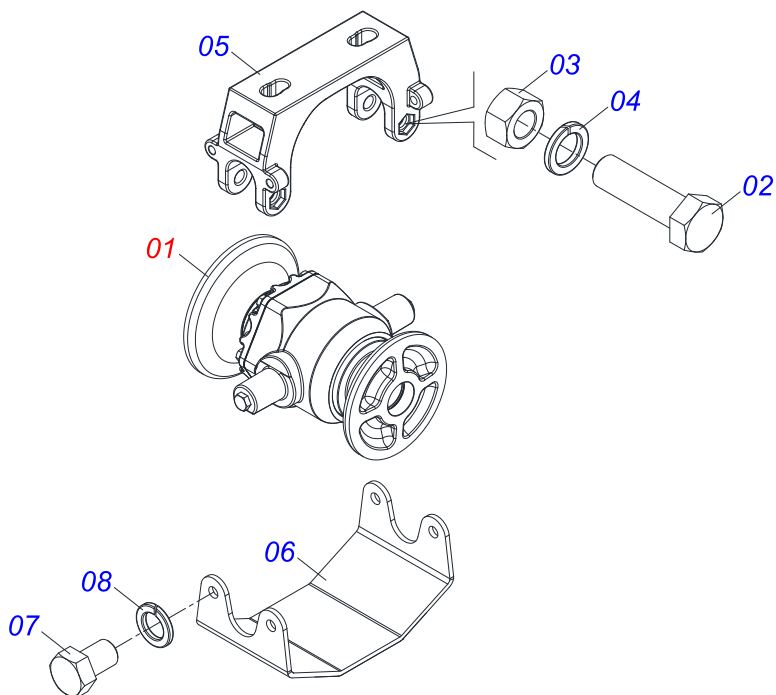
Item	Code	Description	See page	QT
01	0503062157	DRAWBAR JACK	13	01



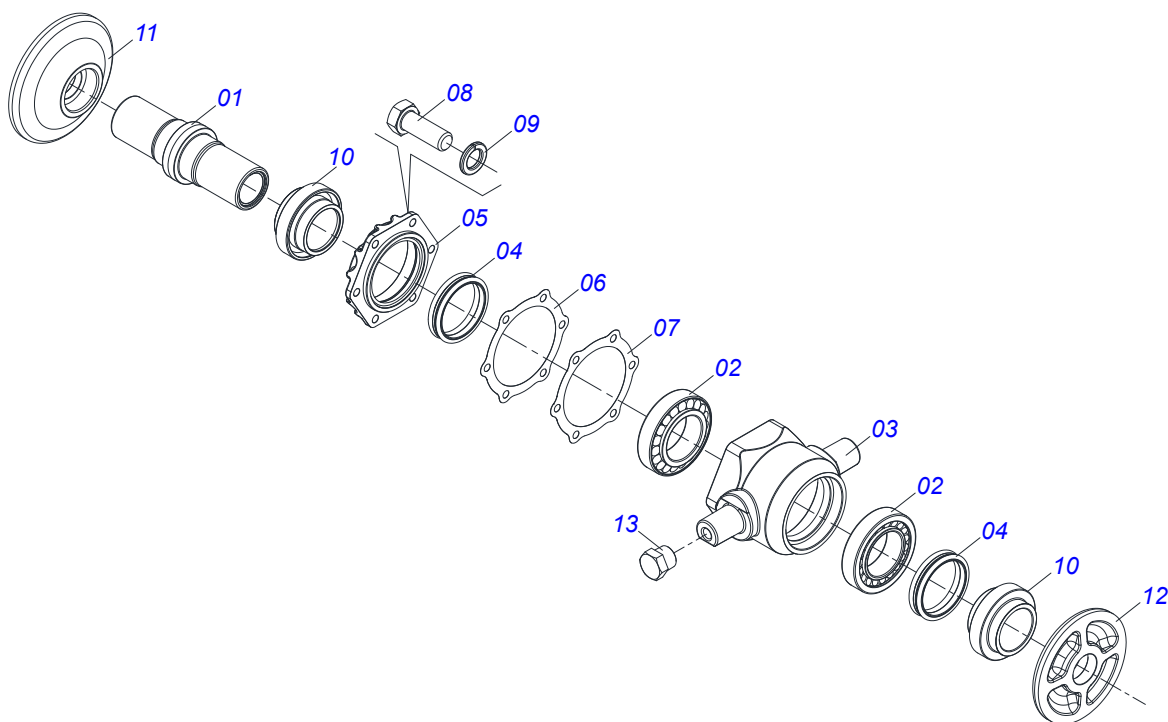
Item	Code	Description	See page	12 14 16 18 20				
				12	14	16	18	20
01	0501046811	1-5/8" X 38" AXLE WITH NUTS 2-3/4"		00	00	00	02	00
01A	0501019013	1-5/8" X 38" AXLE		00	00	00	02	00
02	0501046854	1-5/8" X 48" AXLE WITH NUTS 2-3/4"		00	00	00	02	04
02A	0501019016	1-5/8 X 48" AXLE		00	00	00	02	04
03	0501046856	1-5/8" X 59" AXLE WITH NUTS 2-3/4"		02	00	00	00	00
03A	0501019012	1-5/8" X 59" AXLE		02	00	00	00	00
04	0501046859	1-5/8" X 70" AXLE WITH NUTS 2-3/4"		00	02	00	00	00
04A	0501015631	1-5/8" X 70" AXLE		00	02	00	00	00
05	0501046861	1-5/8" X 80" AXLE WITH NUTS 2-3/4"		00	00	02	00	00
05A	0501019015	1-5/8 X 80" AXLE		00	00	02	00	00
06	0502840640	1.5/8" 2.3/4" NUT		04	04	04	08	08
07	0502011048	1-5/8" EXTERNAL AXLE WASHER		02	02	02	04	04
08	0602033005	DR 26 X 6,00 C90AF04FR1.11/16 10R		12	14	16	18	20
09	0602037004	DR 28 X 6,00 C102AF04FR1.11/16 10R		12	14	16	18	00
10	0602037006	DR 28 X 7,50 C102AF04FR1.11/16 10R		00	14	16	18	20
11	0511048375	DMO 262 X 1.5/8 AGRICULTURAL BEARING ASSY	16	04	04	06	08	08
12	0502010703	10.35" 1-5/8" SPACER		06	08	08	06	08
13	0502011047	1-5/8" INNER AXLE WASHER		02	02	02	04	04
14	0511014339	1-5/8" 2.8" NUT LOCK		04	04	04	08	08
15	0503011267	BOLT 5/8" UNC X 1.1/2 C S G.5 ZN		04	04	04	08	08
16	0503010027	SPRING WASHER 5/8"		04	04	04	08	08
17	0503012412	5/8" UNC SELF LOCKING NUT		04	04	04	08	08
18	0521047424	SCREW ASSY		08	08	12	16	16
18A	0501010500	3/4" X 3" BOLT		08	08	12	16	16
18B	0501010322	FLAT WASHER 20.50 X 46 X 4.00 ZN		08	08	12	16	16
18C	0503012183	NUT SNC 3/4" ZIN 1K03097		16	16	24	32	32



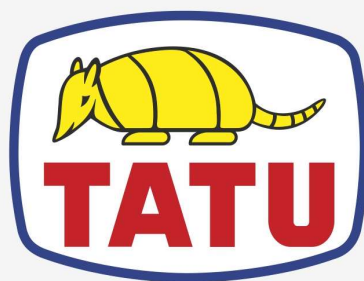
Item	Code	Description	See page	24	28	32	36	40
				24	28	32	36	40
01	0501046854	1-5/8" X 48" AXLE WITH NUTS 2-3/4"		00	00	04	00	00
01A	0501019016	1-5/8 X 48" AXLE		00	00	04	00	00
02	0501046856	1-5/8" X 59" AXLE WITH NUTS 2-3/4"		04	00	02	06	02
02A	0501019012	1-5/8" X 59" AXLE		04	00	02	06	02
03	0501046859	1-5/8" X 70" AXLE WITH NUTS 2-3/4"		00	04	00	00	04
03A	0501015631	1-5/8" X 70" AXLE		00	04	00	00	04
04	0502840640	1.5/8" 2.3/4" NUT		08	08	12	12	12
05	0502011048	1-5/8" EXTERNAL AXLE WASHER		04	04	06	06	06
06	0602033006	DR 26 X 6,00 C90AF04FR1.13/16 10R		00	00	32	00	00
07	0602037006	DR 28 X 7,50 C102AF04FR1.11/16 10R		24	28	32	36	40
08	0602033005	DR 26 X 6,00 C90AF04FR1.11/16 10R		24	28	00	36	40
09	0602037004	DR 28 X 6,00 C102AF04FR1.11/16 10R		24	28	00	36	00
10	0511048375	DMO 262 X 1.5/8 AGRICULTURAL BEARING ASSY	16	08	08	12	12	12
11	0502010703	10.35" 1-5/8" SPACER		12	16	14	12	12
12	0502011047	1-5/8" INNER AXLE WASHER		04	04	06	06	06
13	0511014339	1-5/8" 2.8" NUT LOCK		08	08	12	12	16
14	0503011267	BOLT 5/8" UNC X 1.1/2 C S G.5 ZN		08	08	12	12	16
15	0503010027	SPRING WASHER 5/8"		08	08	12	12	16
16	0503010013	HEX NUT 5/8 UNC G.5 ZN		08	08	12	12	16
17	0521047424	SCREW ASSY		16	16	24	24	24
17A	0501010500	3/4" X 3" BOLT		16	16	24	24	24
17B	0501010322	FLAT WASHER 20.50 X 46 X 4.00 ZN		16	16	24	24	24
17C	0503012183	NUT SNC 3/4" ZIN 1K03097		32	32	48	48	48



Item	Code	Description	See page	QT
01	0501059733	DMO 262 X 1.5/8 AGRICULTURAL BEARING	17	01
02	0503010762	SCREW 5/8 UNC X 3.1/2 CS G.5 ZN		02
03	0503010013	HEX NUT 5/8 UNC G.5 ZN		02
04	0503010027	SPRING WASHER 5/8"		02
05	0502012626	CENTER OSCILLATING BEARING SUPPORT		01
06	0501213922	BEARING LID		01
07	0503010834	1/2 X 1 BOLT		04
08	0503010019	SPRING WASHER 1/2"		04



Item	Code	Description	See page	QT
01	0502010900	BEARING AXLE		01
02	0503010005	32212 ROLLER BEARING		02
03	0502020691	BEARING HUB		01
04	0503030027	DUO-CONE SEAL		02
05	0502020161	WEAR PLATE BEARING		01
06	0503030030	5.6" X 4.4" X 0.01" GASKET		02
07	0503030685	5.5" X 4.4" X 0.003" GASKET		01
08	0503810237	3/8 UNC X 1 C S G.5 SA BOLT		06
09	0503011443	SPRING WASHER 3/8"		06
10	0502010735	SEAL RETAINER		02
11	0502040239	OUTER FLANGE		01
12	0502040240	INNER FLANGE		01
13	0503010856	OIL PLUG R 3/8 BSPT		02



MARCHESAN

Technical Publications | Elaboration and Revision

VINICIUS EDUARDO DA SILVA

www.marchesan.com.br

