

OFFSET DISK HARROW

**GASPCR-HD 9017 - AXLE 2.1/2" - MECHANICAL
ARTICULATED - 32/34/36D**

**GASPCR-HD 9017 - EIXO 2.1/2" - ARTICULADA
MECANICA - 32/34/36D**

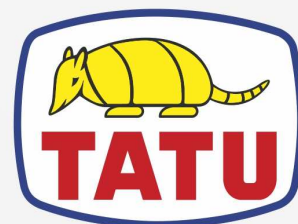
Code: 0501093743

Series: S-1023

Revision: 00

Revision Date: JUNE/2024

PARTS CATALOGUE



MARCHESAN



PRODUCTS

Code	Working Width	Description
0102090512		GASPCR HD9017 32X36X12 DR DMO MEC E2.1/2 ESP S1023
0102090515		GASPCR HD9017 32X36X12 DR DMO MEC E2.1/2 ESP S1023
0102090537		GASPCR HD9017 32X36X12 DR DMO MEC E2.1/2 USA S1023
0102090513		GASPCR HD9017 32X40X12 DR DMO MEC E2.1/2 ESP S1023
0102090514		GASPCR HD9017 32X40X12 DR DMO MEC E2.1/2 ESP S1023
0102090519		GASPCR HD9017 34X36X12 DR DMO MEC E2.1/2 ESP S1023
0102090516		GASPCR HD9017 34X36X12 DR DMO MEC E2.1/2 ESP S1023
0102090538		GASPCR HD9017 34X36X12 DR DMO MEC E2.1/2 USA S1023
0102090521		GASPCR HD9017 34X40X12 DR DMO MEC E2.1/2 ESP S1023
0102090518		GASPCR HD9017 34X40X12 DR DMO MEC E2.1/2 ESP S1023
0102090524		GASPCR HD9017 36X36X12 DR DMO MEC E2.1/2 ESP S1023
0102090522		GASPCR HD9017 36X36X12 DR DMO MEC E2.1/2 ESP S1023
0102090539		GASPCR HD9017 36X36X12 DR DMO MEC E2.1/2 USA S1023
0102090523		GASPCR HD9017 36X40X12 DR DMO MEC E2.1/2 ESP S1023

ATTENTION: IMPORTANT

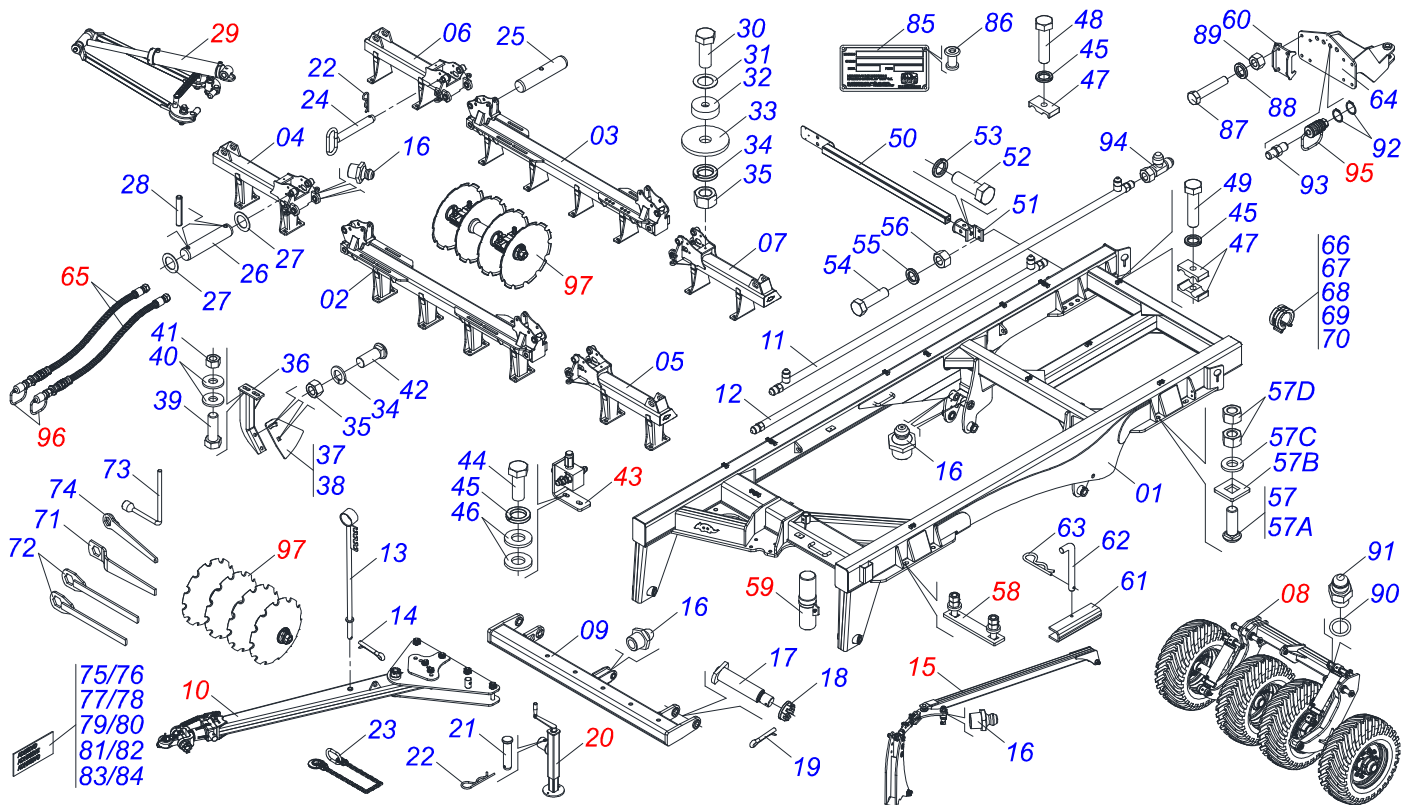
Marchesan S.A. reserves the right to improve and/or modify the technical features of its products, without obligation to do the same with those products already sold and without prior knowledge of the dealer or the customer. The photos are only illustrative.



MARCHESAN

INDEX

0909097260	ASSY FRAME - 32/34/36D	1
0909097261	WHEEL SET	2
0521058003	2" X 5" X 25" X 13" HIDRAULIC CYLINDER	3
0531051144	WHEEL WITHOUT TIRE	4
0503063281	RIGHT WHEEL	5
0521041823	TRACTION BAR ASSY (PIN 3")	6
0531040171	HITCH ASSY	7
0909097262	ASSY DRAWBAR ARTICULATOR	8
0511059199	STABILIZER BAR REGULATOR EXTENSOR	9
0511048088	DRAWBAR JACK	10
0909097268	ARTICULATOR ASSEMBLY	11
0511050181	COMPLETE FRONT LEFT REAR RIGHT ARTICULATION	12
0511050182	ARTICULACION FRONT RIGHT REAR LEFT COMPLETE	13
0511059197	3" X 4" X 42" X 28" HYDRAULIC CYLINDER	14
0511059196	VALVE ASSY	15
0531040021	FIXING ASSEMBLY	16
0521052190	MANUAL CANISTER ASSY	17
0521051976	JUEGO DE MANGUERA CON ENGANCHE TRASERO	18
0521059842	HOSE SET WITHOUT REAR HITCH	19
0501053835	FEMALE QUICK COUPLER	20
0501053834	MALE QUICK COUPLER	21
0909097263	ASSY DISCS SECTION	22
0531041571	430 X 2.1/2 DMO BEARING WITH PROTECTION SUPPORT	23
0531052794	430 X 2.1/2 DMO BEARING	24



Item	Code	Description	See page	32	34	36
01	0531060847	FRAME		01	01	01
02	0531061777	FRONT FRAME - 32/36D		01	00	01
02.	0531061775	REAR FRAME - 34D		00	01	00
03	0531061776	REAR FRAME -32/36D		01	00	01
03.	0531061774	REAR FRAME - 34D		00	01	00
04	0531061778	RIGHT SIDE FRONT FRAME - 32/34D		01	01	00
04.	0531061784	RIGHT SIDE FRONT FRAME - 36D		00	00	01
05	0531061779	LEFT SIDE FRONT FRAME - 32/34D		01	01	00
05.	0531061785	LEFT SIDE FRONT FRAME - 36D		00	00	01
06	0531061780	RIGHT SIDE REAR FRAME - 32/34D		01	01	00
06.	0531061783	RIGHT SIDE REAR FRAME - 36D		00	00	01
07	0531061781	LEFT SIDE REAR FRAME - 32/34D		01	01	00
07.	0531061782	LEFT SIDE REAR FRAME - 36D		00	00	01
08		WHEEL SET	2			
09	0521068250	HITCH BAR		01	01	01
10	0521041823	TRACTION BAR ASSY (PIN 3")	6	01	01	01
11	0521066126	DISTRIBUTOR OIL TUBE		02	02	02
12	0521066937	OIL DISTRIBUTOR DUCT		02	02	02
13	0531061120	HOSE SUPPORT		01	01	01
14	0503010523	1/4 X 2 SPLIT PIN		01	01	01
15		ASSY DRAWBAR ARTICULATOR	8			
16	0503010002	1800 GREASE FITTING		29	29	29
17	0521063989	50,8 X 380 AXLE WITH LOCK		02	02	02
18	0501011301	1.1/2" UNC 6FPP 2.5/16" NUT		02	02	02
19	0503010010	1/4" X 2.1/2" SPLIT PIN		02	02	02
20	0511048088	DRAWBAR JACK	10	01	01	01
21	0561014251	COUPLING SHAFT		01	01	01
22	0503030012	HITCH PIN CLIP		05	05	05
23	0503019848	SAFETY CHAIN		01	01	01
24	0521068256	AXIS BLOCAGE 25,40 X 285		04	04	04
25	0541016676	1.1/2 X 175 AXLE		04	04	04
26	0581015612	JUNCTION SHAFT 50,90 X 452		04	04	04



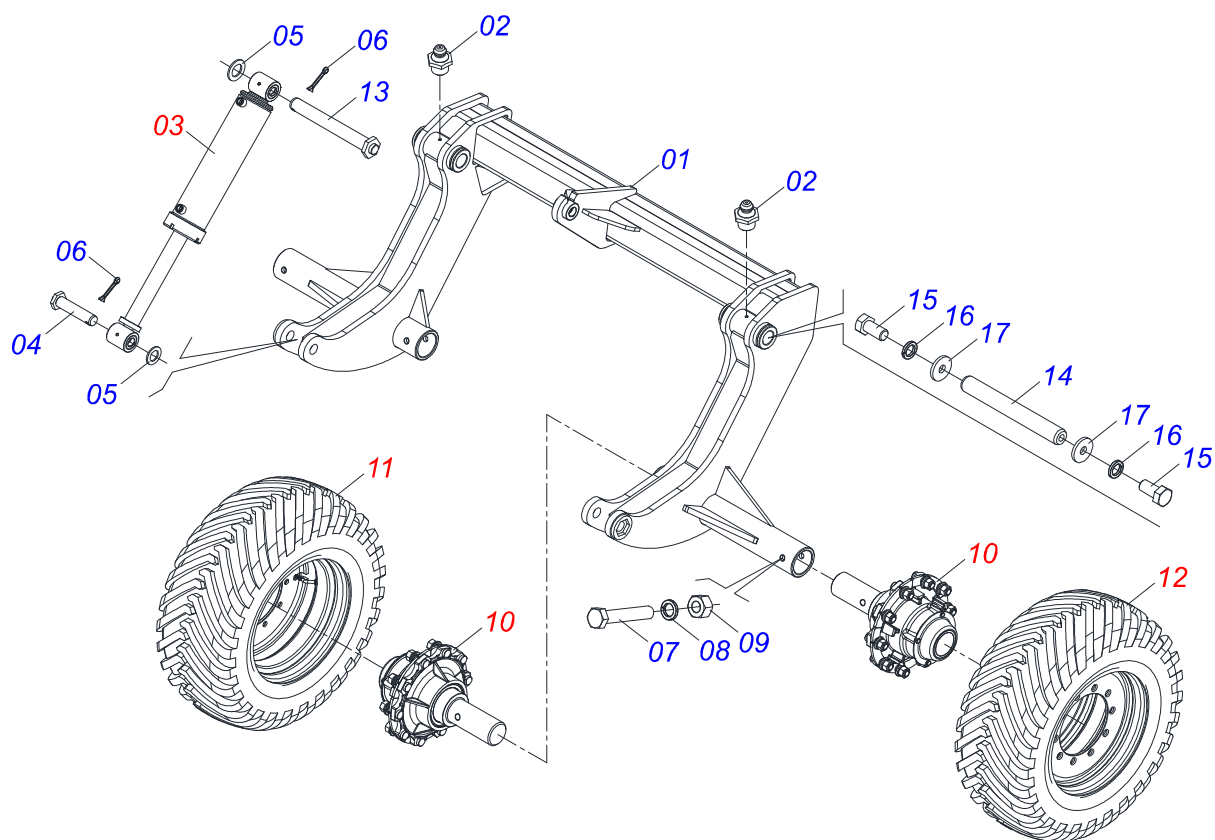
Item	Code	Description	See page	32	34	36
27	0511019776	FLAT WASHER		08	08	08
28	0503011069	0.4" X 2.8" SPRING PIN		08	08	08
29		ARTICULATOR ASSEMBLY	11			
30	0503010233	5/8 UNC X 2.1/2 CS G.5 ZN BOLT		04	04	04
31	0571010265	16,50 X 40 X 3,00 ZN FLAT WASHER		04	04	04
32	0581011153	FRAME BEATER		04	04	04
33	0571013284	17,50 X 90 X 4,75 FLAT WASHER		04	04	04
34	0503010027	5/8 SPRING WASHER		68	72	76
35	0503010013	5/8 UNC G.5 ZN HEX NUT		68	72	76
36	0511064771	FRONT SCRAPER SUPPORT		32	34	36
37	0521013678	FRONT CLEANER		16	17	18
38	0521013679	REAR CLEANER		16	17	18
39	0501010500	3/4" X 3" BOLT		64	68	72
40	0541010763	FLAT WASHER		99	99	99
41	0503010014	3/4" ZN G.5 (HEAVY) UNC HEX NUT		64	68	72
42	0503012195	5/8" NUT		64	68	72
43	0511059196	VALVE ASSY	15	01	01	01
44	0503011173	7/16" X 2" BOLT		02	02	02
45	0503010180	7/16" SPRING WASHER		16	16	16
46	0501012803	FLAT WASHER 12 X 30 X 3,00 ZN		04	04	04
47	0502010477	HOSE CLAMP		18	18	18
48	0503011135	BOLT 7/16" UNC X 1.1/2" C S G.5 ZN		12	12	12
49	0503011103	BOLT 7/16" UNC X 2.1/2" C S G.5 ZN		02	02	02
50	0521066443	SUPPORT FIXER LANTERN		02	02	02
51	0521066624	FIXER SUPPORT LANTERN		02	02	02
52	0501010098	BOLT 3/4" UNC X 2 C S G.5 ZN		02	02	02
53	0503010023	3/4" SPRING WASHER		02	02	02
54	0503011082	C1/2" X 1.3/4" SCREW		04	04	04
55	0503010019	1/2" SPRING WASHER		04	04	04
56	0503010060	1/2 UNC G.5 ZN HEX NUT		04	04	04
57	0521040349	1-1/4" X 5.3/4" BOLT		06	06	06
57A	0501010954	1.1/4" X 5.3/4" BOLT		01	01	01
57B	0571010449	LOCK BOLT		01	01	01
57C	0571010448	32,50 X 75 X 16 SLEEVE		01	01	01
57D	0501010087	1.1/4" NUT		02	02	02
58	0531040021	FIXING ASSEMBLY	16	03	03	03
59	0521052190	MANUAL CANISTER ASSY	17	01	01	01
60	0531060843	FIXER CLAW		02	02	02
61	0561016693	TRANSPORT LOCK		02	02	02
62	0541016844	FIXER LOCK		02	02	02
63	0503030285	HITCH PIN CLIP		02	02	02
64	0531060844	260 REAR HITCH		01	01	01
65	0521051976	JUEGO DE MANGUERA CON ENGANCHE TRASERO	18	01	01	01
65.	0521059842	HOSE SET WITHOUT REAR HITCH	19	01	01	01
66	0501047895	25 ROD STOP		04	04	04
67	0501047887	40 ROD STOP		02	02	02
68	0501047888	45 ROD STOP		02	02	02
69	0501047885	30 ROD STOP		02	02	02
70	0501047886	35 ROD STOP		02	02	02
71	0501011432	1-1/2" AND 1-5/8 GANG BOLT WRENCH		01	01	01
72	0501316941	KEY 2.1/8 AND 2.1/2		02	02	02
73	0503016137	1-1/4" WRENCH CABLE CYLINDER		01	01	01
74	0521062858	1.1/4" WRENCH NUT		01	01	01
75	0503034078	LIFTING POINTS DECAL		04	04	04
76	0503031738	WARNING DECAL		03	03	03
77	0503031739	DANGER DECAL		01	01	01
78	0503034499	HOSE IDENTIFICATION DECAL		01	01	01
79	0503031428	ATTENTION READ MANUAL DECAL		01	01	01
80	0503031827	DAILY LUBRICATION AND RETIGHTENING DECAL		01	01	01
81	0503031087	AUTO CONTROL APPROVED DECAL		01	01	01



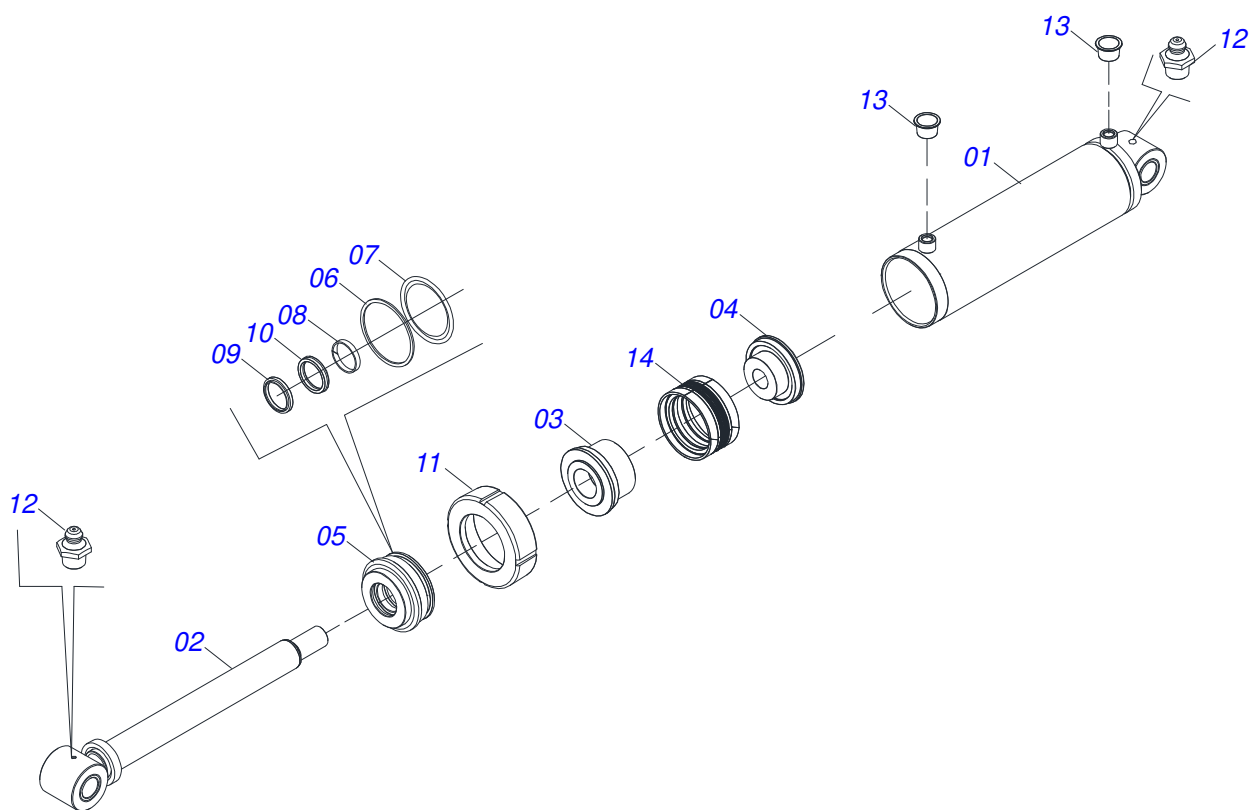
GASPCR-HD 9017 - AXLE 2.1/2" - MECHANICAL ARTICULATED
ASSY FRAME - 32/34/36D

Item	Code	Description	See page	32	34	36
82	0503033038	DANGER DECAL		01	01	01
83	0503034976	GASPCR HD 9017 LOGO DECAL		02	02	02
84	0503033428	TATU LOGO DECAL		01	01	01
85	0503034003	61 X 118 SERIAL NUMBER TAG		01	01	01
86	0503010001	RIVET 3,2 X 5,5		04	04	04
87	0501010064	BOLT 1" UNC X 9 CS G.5 ZN		08	08	08
88	0503010012	1" SPRING WASHER		08	08	08
89	0501010059	1.5/8 NUT		08	08	08
90	0503010190	2-114 N 3006-9B O'RING		08	08	08
91	0501010617	NIPLE 3/4" NF X 3/4" NF HEX. 7/8" X 44		08	08	08
92	0503010217	501040 CLAMPING RING (FOR AXLE)		04	04	04
93	0571015342	3/4" NIPLE		02	02	02
94	0503011968	NUT 3/4" 8R6X-S T ADAPTER WITH SWIVEL		02	02	02
95	0501053835	FEMALE QUICK COUPLER	20	02	02	02
96	0501053834	MALE QUICK COUPLER	21	04	04	04
97		ASSY DISCS SECTION	22			

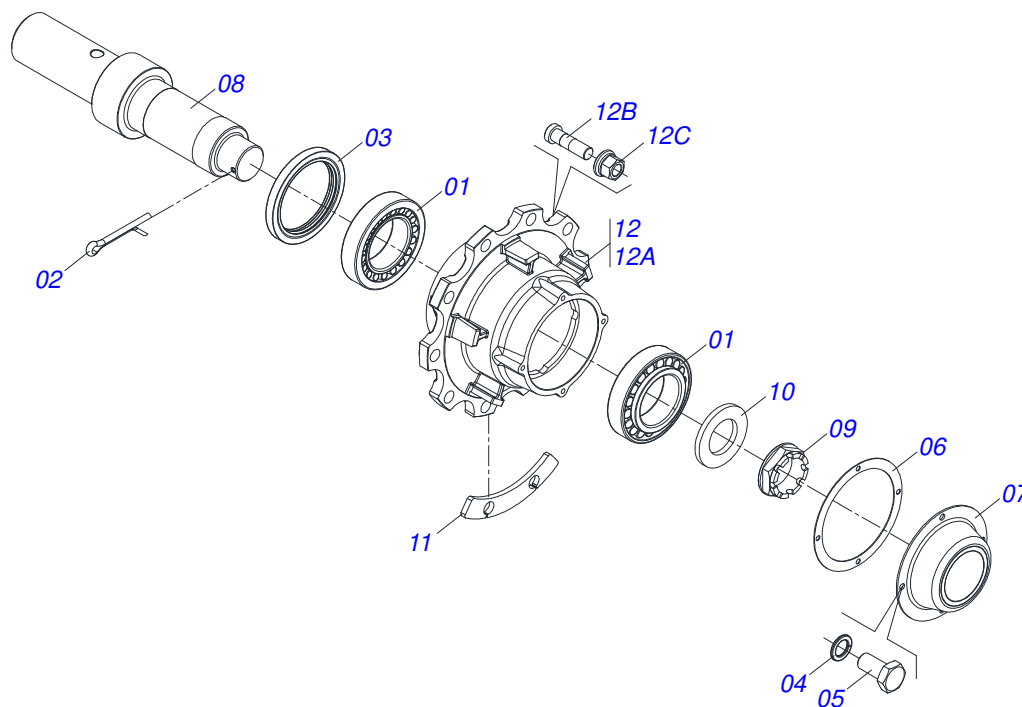
WHEEL SET



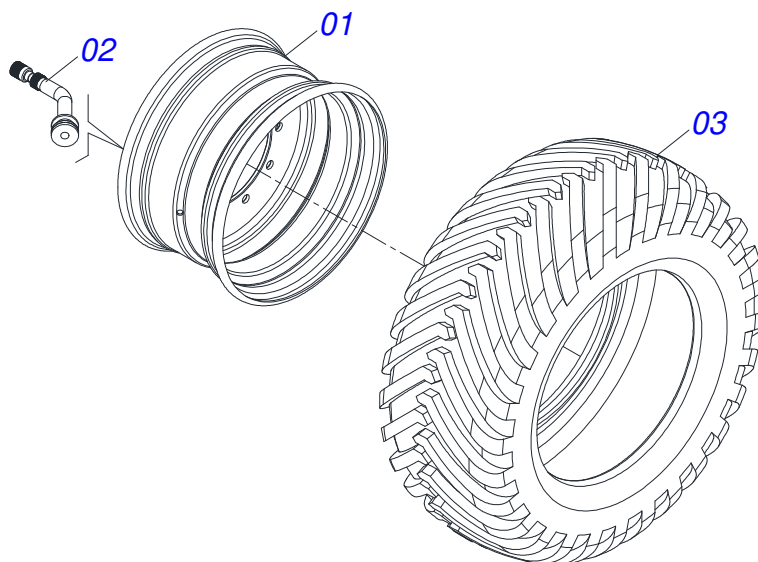
Item	Code	Description	See page	QT
01	0531060840	WHEEL		01
02	0503010002	1800 GREASE FITTING		02
03	0521058003	2" X 5" X 25" X 13" HIDRAULIC CYLINDER	3	02
04	0531060841	CYLINDER AXLE		02
05	0501012916	FLAT WASHER 40 X 66 X 4,75 ZN		04
06	0503010534	3/8" X 2.1/2" SPLIT PIN		04
07	0503011198	BOLT 3/4" UNC X 6" CS G.5		04
08	0503010023	3/4" SPRING WASHER		04
09	0503010014	3/4" ZN G.5 (HEAVY) UNC HEX NUT		04
10	0531051144	WHEEL WITHOUT TIRE	4	04
11	0503063281	RIGHT WHEEL	5	02
12	0503063282	LEFT WHEEL		02
13	0531060842	CYLINDER AXLE		02
14	0531018062	COUPLING SHAFT		02
15	0503011250	1" X 2" BOLT		04
16	0503010012	1" SPRING WASHER		04
17	0521011565	FLAT WASHER		04



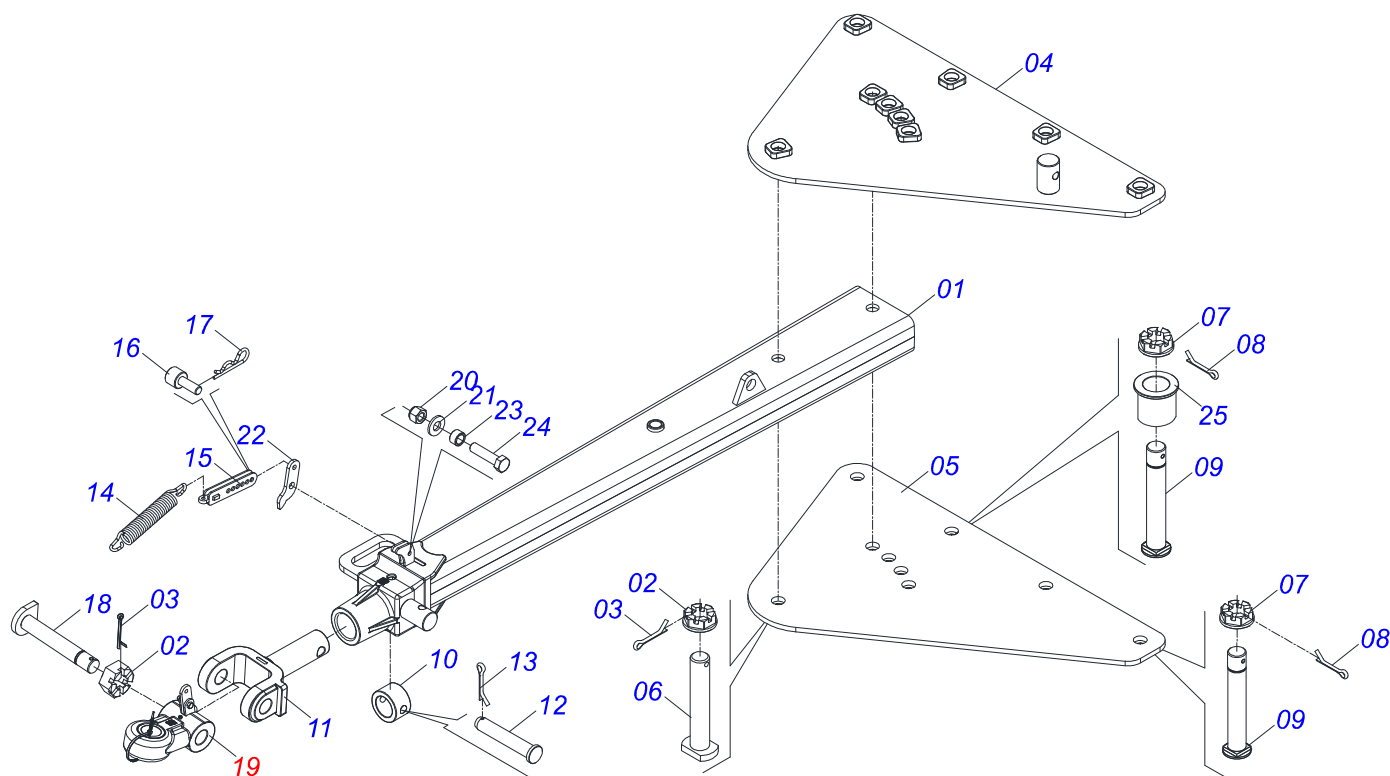
Item	Code	Description	See page	QT
01	0531060846	CYLINDER CASE		01
02	0531060845	TURNBUCKLE		01
03	0561016583	PISTON BODY		01
04	0502012645	PISTON BODY 2" X 5"		01
05	0502012646	RING SUPPORT 2.1/8" X 5"		01
06	0503011062	8-425 BACK-UP RING		01
07	0503010351	2-425 N 3006-9B O'RING		01
08	0503015641	WEAR RING		01
09	0503015642	U-CUP SEALING RUUB000970		01
10	0503015715	SCRAPER SEALING		01
11	0502010382	5" END CAP		01
12	0503010002	1800 GREASE FITTING		02
13	0503030384	PLUG N-001		02
14	0503015643	SEAL PCK 001270-N8CO		01



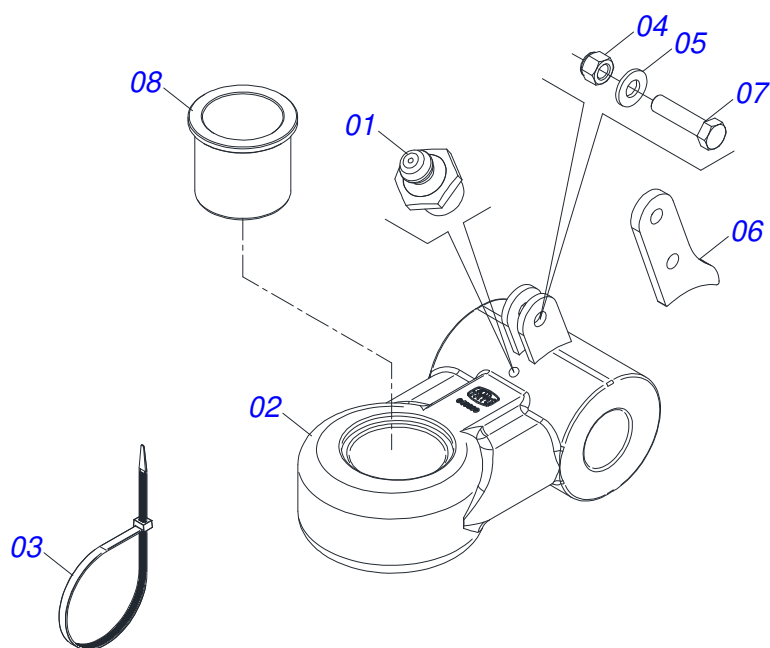
Item	Code	Description	See page	QT
01	0503010118	32218 BEARING		02
02	0503012213	1/4" X 4" SPLIT PIN		01
03	0503013541	REAR RETAINER 0310-BG AR22 1G25356		01
04	0503013542	M10 SPRING WASHER		04
05	0503013546	BOLT SX MA5,8 M10X1,5X20ZA DI		04
06	0503013548	JOINT CORK CR4F		01
07	0503013549	HUB COVER		01
08	0591018279	AXLE TIP R 2. 1/2 UN (FURO 50)		01
09	0502040080	FLANGE NUT R.2.1/2" UN		01
10	0531019986	64 X 110 X 9.5 FLAT WASHER		01
11	0561015521	FLANGE WHEEL HUB		05
12	0501110761	BOX WHEEL WITH BOLT 25-45FT		01
12A	0502012462	WHEEL HUB		01
12B	0503014050	BOLT M22 X 1,5 X 77/87 188RT		10
12C	0503014048	HEX NUT M22 X 1,5" CH 32 X 33,5		10



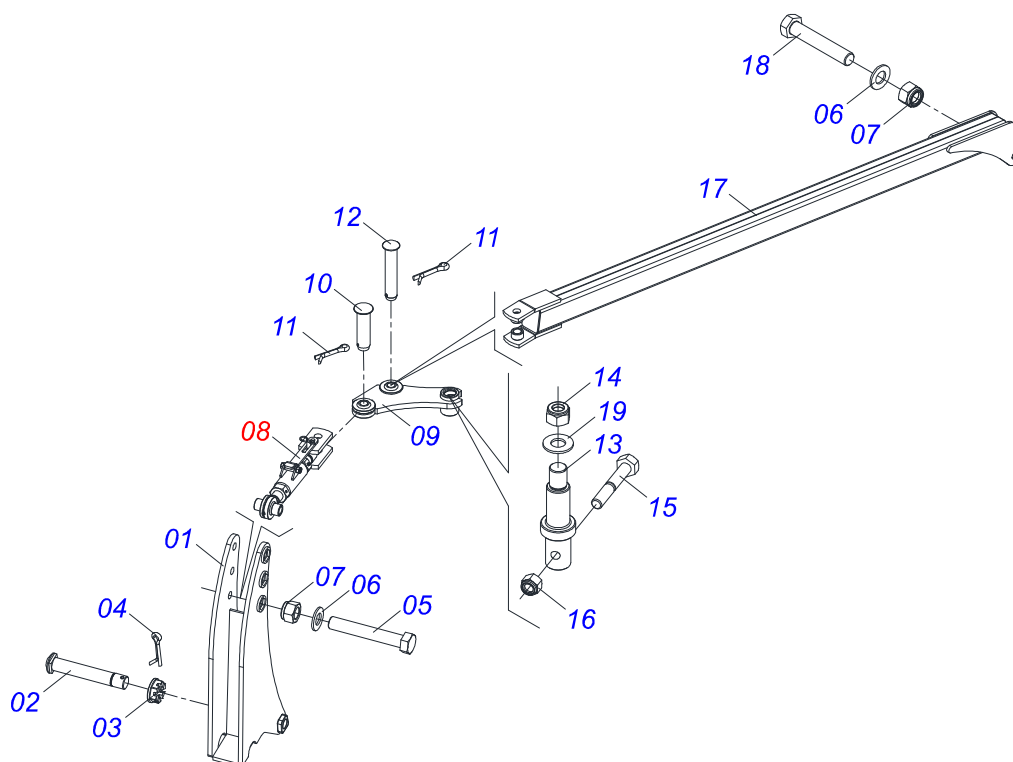
Item	Code	Description	See page	QT
01	0503033536	RING		01
02	0503016098	VALVE		01
03	0503019969	TIRE 400/55-22,5 152A 8/149B		01



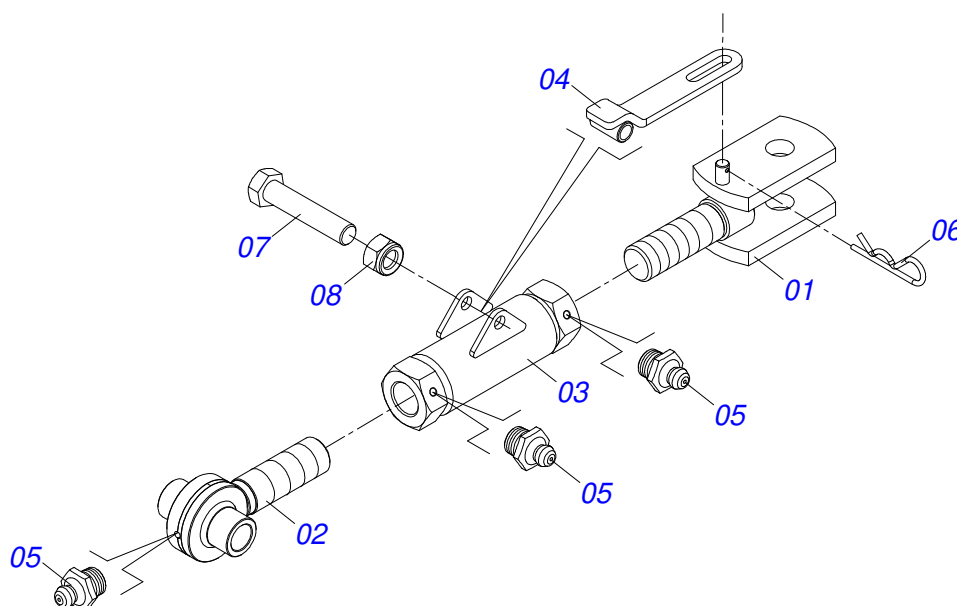
Item	Code	Description	See page	QT
01	0521068249	TRACTION BAR (AXLE 2)		01
02	0502040558	2" CASTLE NUT		02
03	0503010074	3/8" X 4" SPLIT PIN		02
04	0521068246	UPPER PLATE (AXLE 2)		01
05	0521068247	LOWER PLATE (AXLE 2)		01
06	0521068248	JUNCTION AXLE WITH LOCK		01
07	0501811301	CASTLE NUT		05
08	0503010010	1/4" X 2.1/2" SPLIT PIN		05
09	0521811880	37,50 X 230 X PQ R.1./2 JUNCTION AXLE		05
10	0502040263	HITCH LOCK RING		01
11	1902040897	TRACTOR HITCH		01
12	0561017306	COUPLING SHAFT		01
13	0503010523	1/4 X 2 SPLIT PIN		01
14	0503031741	1.8" X 11.4" 0.3" TRACTION SPRING		01
15	0531061607	SPRING REGULATOR		01
16	0591014558	SPRING REGULATOR FIXER AXLE		01
17	0503030285	HITCH PIN CLIP		01
18	0531061122	AXIS ARTICULATOR		01
19	0531040171	HITCH ASSY	7	01
20	0503010589	1/2" UNC SELF ADJUSTING NUT		01
21	0501010937	13,50 X 28 X 3,00 FLAT WASHER		01
22	0591014554	REAR SUPPORT FIXING SPRING		01
23	0591014552	SLEEVE		01
24	0503010740	BOLT 1/2 UNC X 2 CS G.5 ZN		01
25	0591013086	SLEEVE 52,8 X 78 X 76 (PIN 2")		01



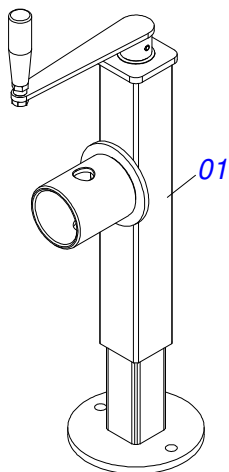
Item	Code	Description	See page	QT
01	0503010002	1800 GREASE FITTING		01
02	0531061121	HITCH		01
03	0503018829	NYLON CLAMP 7,8 X 1,8 X 390 MM		01
04	0503010589	1/2" UNC SELF ADJUSTING NUT		01
05	0501010937	13,50 X 28 X 3,00 FLAT WASHER		01
06	0591014555	FRONT SUPPORT FIXING SPRING		01
07	0503010740	BOLT 1/2 UNC X 2 CS G.5 ZN		01
08	0591013448	SLEEVE 65,50 X 78 X 76 (PIN 2.1/2")		01



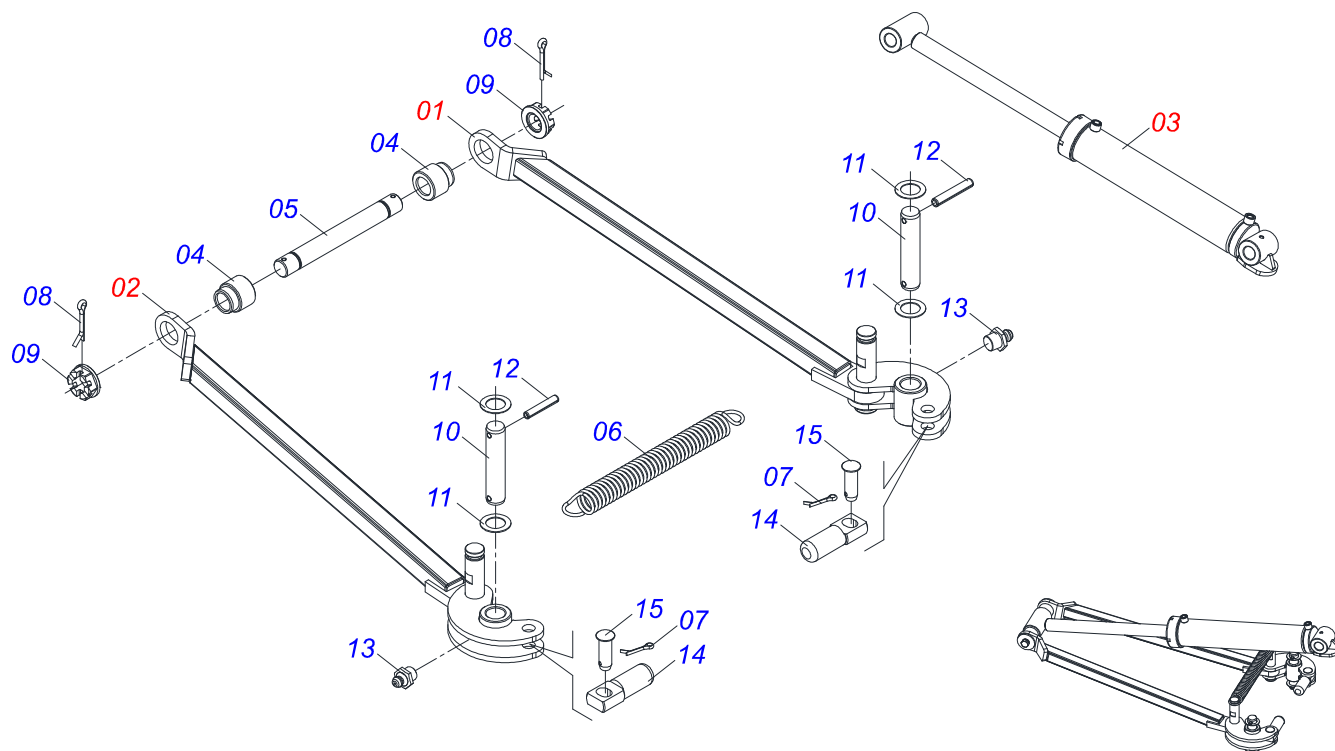
Item	Code	Description	See page	QT
01	0521066758	DRAWBAR ARTICULATOR		01
02	0521012053	1.5" X 8.6" AXLE		01
03	0501011301	1.1/2" UNC 6FPP 2.5/16" NUT		01
04	0503010010	1/4" X 2.1/2" SPLIT PIN		01
05	0521017351	1-1/4" X 8" BOLT		01
06	0501017779	FLAT WASHER 32 X 60 X 4,75		02
07	0503010817	1.1/4" SELF LOCKING NUT		02
08	0511059199	STABILIZER BAR REGULATOR EXTENSOR	9	01
09	0521066960	STABILIZER BAR ARTICULATOR		01
10	0521010780	1.2" X 4.5" COUPLING SHAFT		01
11	0503010523	1/4 X 2 SPLIT PIN		02
12	0581011919	31,75 X 170 ZN COUPLING SHAFT		01
13	0581011775	STABILIZER BAR ARTICULATING PIVOT AXLE		01
14	0503010290	SELF ADJUSTING 1.1/2" UNF NUT		01
15	0501010216	3/4 UNC X 4.1/2 C S G.5 ZN BOLT		01
16	0503011075	3/4 UNC LOCK NUT		01
17	0521066759	STABILIZER BAR		01
18	0503013321	SCREW 1.1/4 UNF X 7 C S G.8 ZN		01
19	0501010287	FLAT WASHER		01



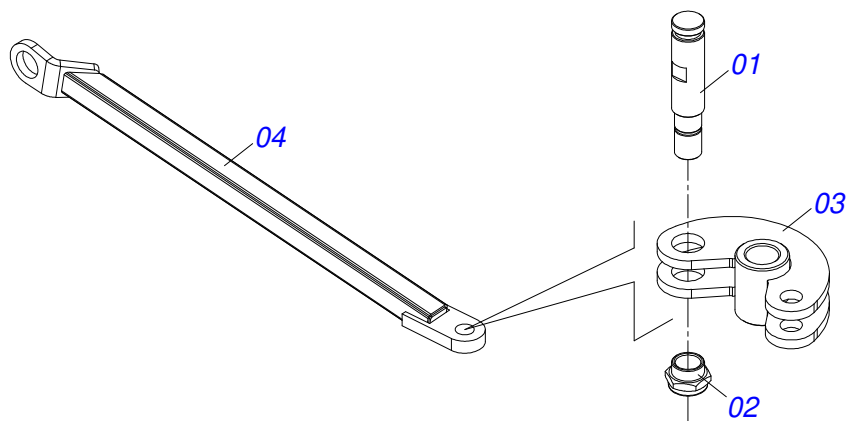
Item	Code	Description	See page	QT
01	0521066962	EXTENSION PIN C/O. R.1.3/4 LEFT		01
02	0521066965	JACK CRANK NUT FIXER R.1.3/4 UNC DIREITO		01
03	0521066963	ADJUSTMENT NUT R.1.3/4 UNC (245)		01
04	0521066964	STABILIZER TENSOR REGULATOR LEVER		01
05	0503010002	1800 GREASE FITTING		03
06	0503030285	HITCH PIN CLIP		01
07	0503010806	5/8" X 3" BOLT		01
08	0503010878	5/8" SELF ALIGNING NUT		01



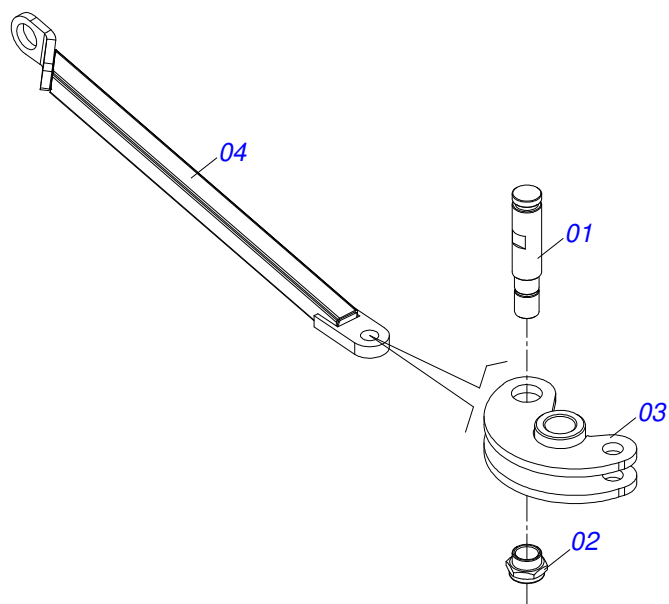
Item	Code	Description	See page	QT
01	0503062227	DRAWBAR JACK		01



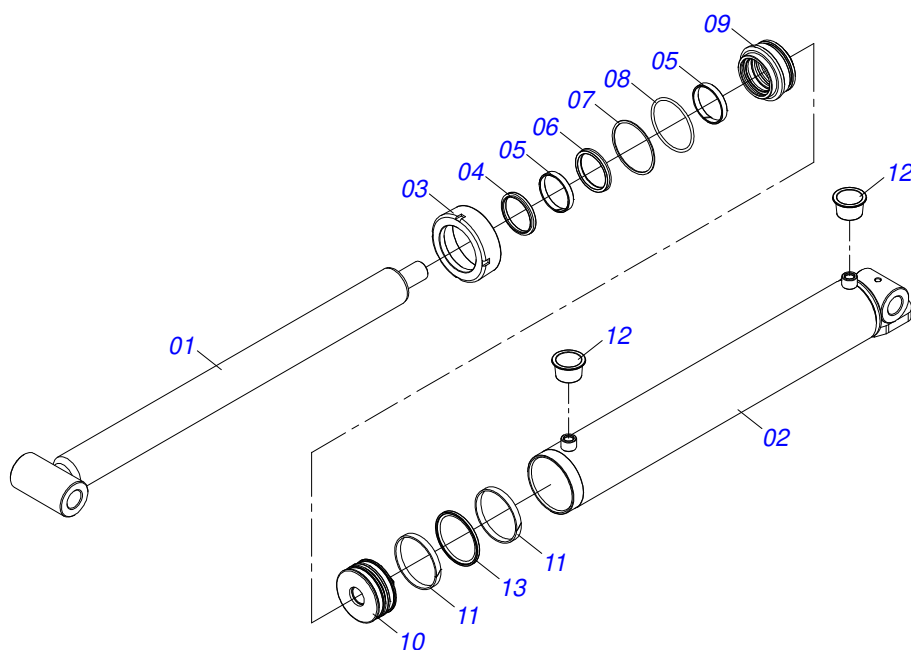
Item	Code	Description	See page	QT
01	0511050181	COMPLETE FRONT LEFT REAR RIGHT ARTICULATION	12	04
02	0511050182	ARTICULACION FRONT RIGHT REAR LEFT COMPLETE	13	04
03	0511059197	3" X 4" X 42" X 28" HYDRAULIC CYLINDER	14	04
04	0541016614	38,20 X 62 X 61 SLEEVE		08
05	0501210091	ARTICULATOR PIVOT AXIS		04
06	0503032537	50,7 X 325 X 6,35 TRACTION SPRING		04
07	0503010571	1/4" X 1.1/2" SPLIT PIN		08
08	0503010010	1/4" X 2.1/2" SPLIT PIN		08
09	0501011301	1.1/2" UNC 6FPP 2.5/16" NUT		08
10	0541016677	37,20 X 177 COUPLING SHAFT		08
11	0511019685	FLAT WASHER		16
12	0503010361	SPRING PIN		16
13	0503010002	1800 GREASE FITTING		08
14	0561013283	LOCK AXLE FRAME		08
15	0521010572	0.9" X 2.9" COUPLING SHAFT		08



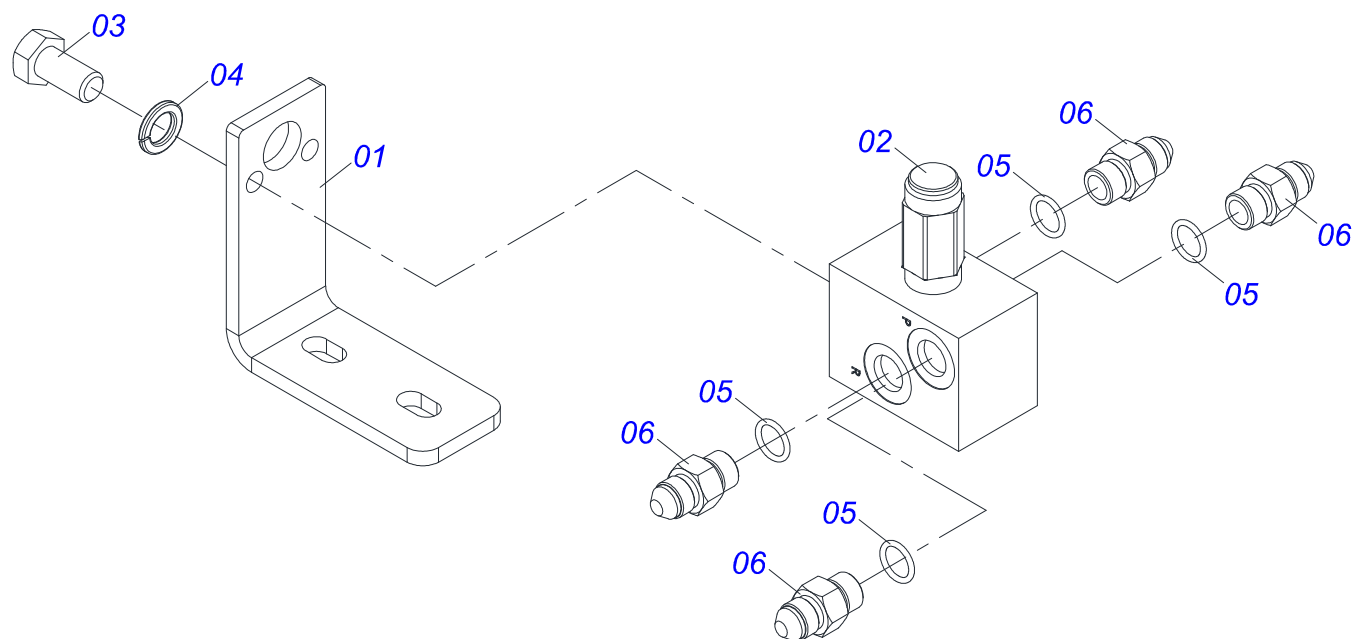
Item	Code	Description	See page	QT
01	0561014074	LOCK AXLE		01
02	0541019258	1.1/4 ADJUSTING NUT		01
03	0521060779	LOCK PIN		01
04	0521060770	FRONT ARTICULACION ARM		01



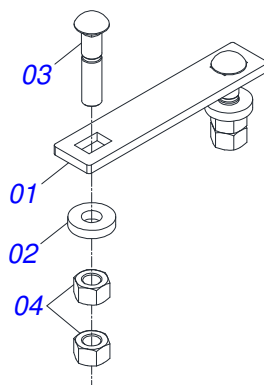
Item	Code	Description	See page	QT
01	0561014074	LOCK AXLE		01
02	0541019258	1.1/4 ADJUSTING NUT		01
03	0521060779	LOCK PIN		01
04	0521060771	ARTICULATION ARM ASSY		01



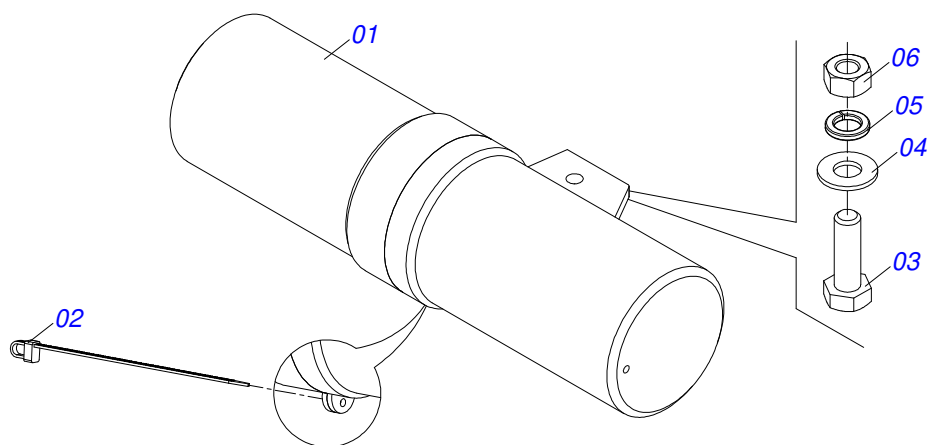
Item	Code	Description	See page	QT
01	0521060777	76,20 X 1020,50 TURNBUCKLE		01
02	0521067412	CYLINDER BARREL 114.30 X 897.50 WITH BEATER		01
03	0502012629	MOBILE COVER 114,30 (E. 76,20)		01
04	0503012642	D-3000 SCRAPER RING		01
05	0503013553	SEAL RING		02
06	0503013552	GASKET		01
07	0503011893	BACK-UP RING, 8-346		01
08	0503011892	O' RING, 2-346 N 3006-9B		01
09	0502012628	76,30 X 114,20 RING SUPPORT		01
10	0502012477	114,30 PISTON		01
11	0503011891	W2-4500-500 RING G.E		02
12	0503030384	PLUG N-001		02
13	0503014692	OE 114,3 GASKET		01



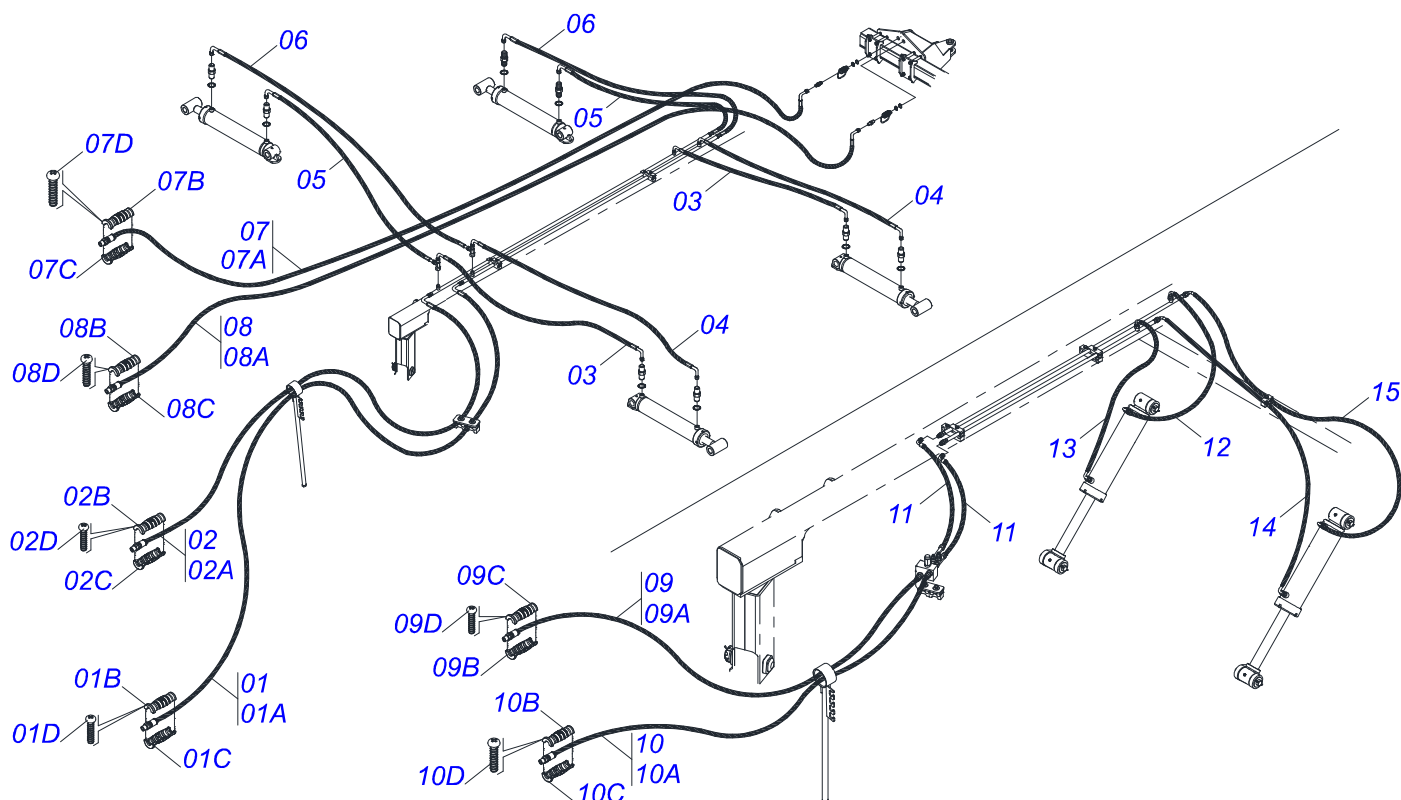
Item	Code	Description	See page	QT
01	0581011745	VALVE SUPPORT		01
02	0503010919	DISCHARGE VALVE		01
03	0503011334	3/8 UNC X 3/4 CS G.5 ZN BOLT		02
04	0503010025	3/8" SPRING WASHER		02
05	0503010190	2-114 N 3006-9B O'RING		04
06	0501010617	NIPLE 3/4" NF X 3/4" NF HEX. 7/8" X 44		04



Item	Code	Description	See page	QT
01	0591013569	SQUARE WASHER		01
02	0571010448	32,50 X 75 X 16 SLEEVE		02
03	0501010954	1.1/4" X 5.3/4" BOLT		02
04	0501010087	1.1/4" NUT		04



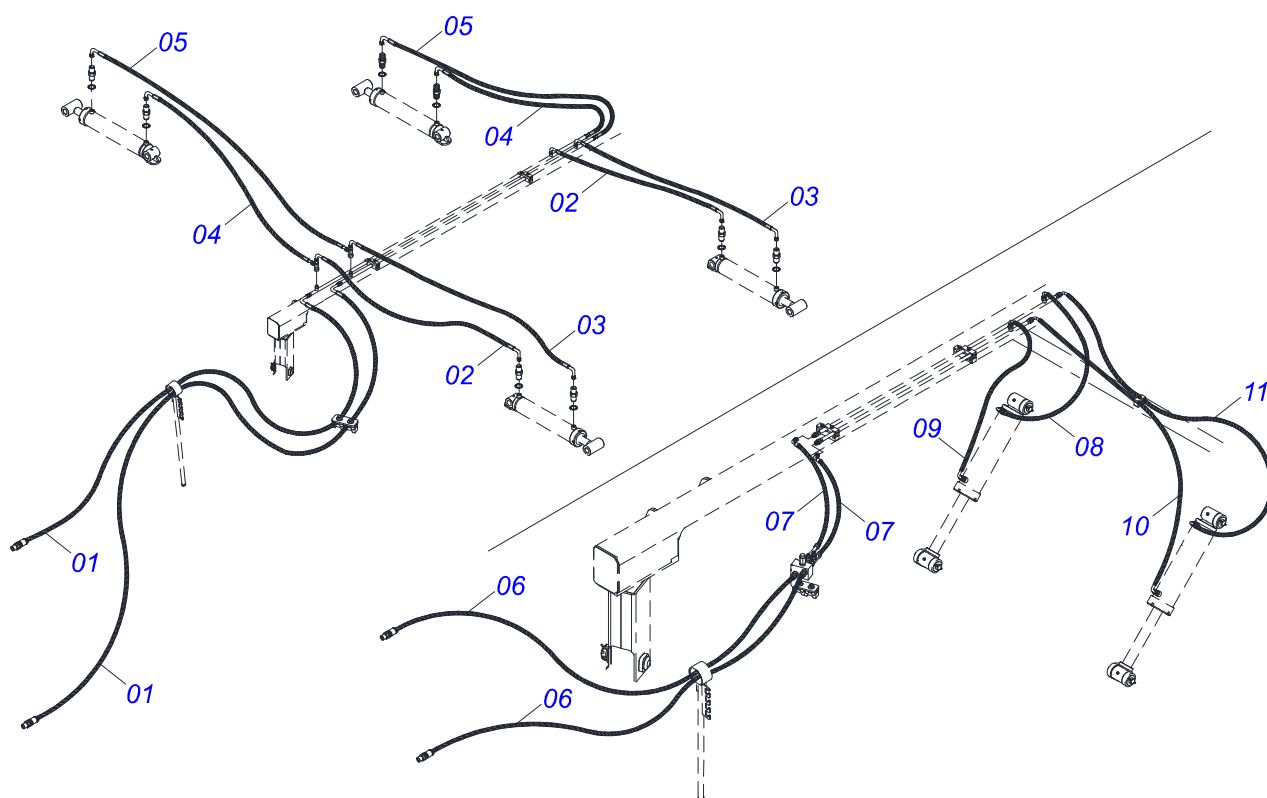
Item	Code	Description	See page	QT
01	0503060100	SUPPORT INSTRUCTION MANUAL		01
02	0503010267	NYLON CLAMP 3,60 X 1,3 X 155 MM		01
03	0503010363	BOLT 5/16 UNC X 1 C S G.2 ZN		01
04	0501010694	FLAT WASHER 32,50 X 75 X 4,75		01
05	0503010179	LOCK WASHER 5/16 ZN 1K01528		01
06	0503010337	NUT 5/16 UNC G.5 ZN		01



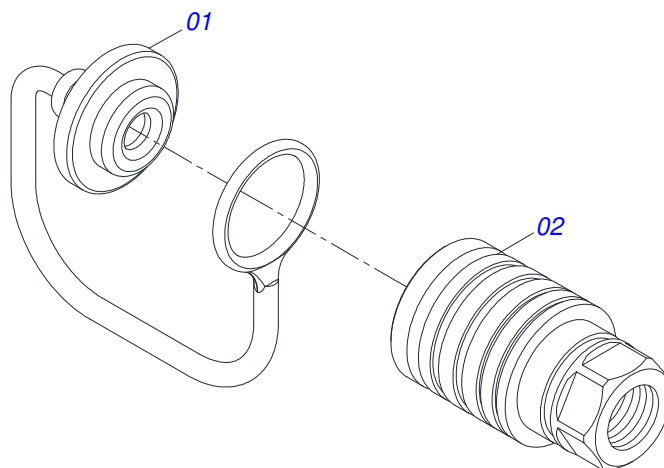
Item	Code	Description	See page	QT
01	0521052944	3/8" X 240" TC-TM BROWN/BLUE HOSE		01
01A	0501080850	3/8" X 240" TC-TM HOSE		01
01B	0503034490	HYDRAULIC HOSE GRIP (BROWN)		01
01C	0503034494	HYDRAULIC HOSE GRIP (BLUE)		01
01D	0503018952	PH 2,5 X 10 ZB PLASTIC BOLT		06
02	0521052945	3/8" X 240" TC-TM BROWN/RED HOSE		01
02A	0501080850	3/8" X 240" TC-TM HOSE		01
02B	0503034490	HYDRAULIC HOSE GRIP (BROWN)		01
02C	0503034495	HYDRAULIC HOSE GRIP (RED)		01
02D	0503018952	PH 2,5 X 10 ZB PLASTIC BOLT		06
03	0501080578	3/8" X 157" TC-TC HOSE		02
04	0501080909	3/8" X 181" TC-TC HOSE		02
05	0501080450	3/8" X 87" TR-TC HOSE		02
06	0501080401	3/8" X 106" TR-TC HOSE		02
07	0521052457	3/8" X 472" TC-TM GRAY/BLUE HOSE		01
07A	0501082031	3/8" X 472" TC-TM HOSE		01
07B	0503034489	HYDRAULIC HOSE GAUNTLET (GRAY)		01
07C	0503034494	HYDRAULIC HOSE GRIP (BLUE)		01
07D	0503018952	PH 2,5 X 10 ZB PLASTIC BOLT		06
08	0521052430	3/8" X 472" TC-TM GRAY/RED HOSE		01
08A	0501082031	3/8" X 472" TC-TM HOSE		01
08B	0503034489	HYDRAULIC HOSE GAUNTLET (GRAY)		01
08C	0503034495	HYDRAULIC HOSE GRIP (RED)		01
08D	0503018952	PH 2,5 X 10 ZB PLASTIC BOLT		06
09	0531055152	3/8" X 236" TR-TM BLACK/BLUE HOSE		01
09A	0501082444	3/8" X 236" TR-TM HOSE		01
09B	0503034492	HYDRAULIC HOSE GRIP (BLACK)		01
09C	0503034494	HYDRAULIC HOSE GRIP (BLUE)		01
09D	0503018952	PH 2,5 X 10 ZB PLASTIC BOLT		06
10	0531055151	3/8" X 236" TR-TM BLACK/RED HOSE		01
10A	0501082444	3/8" X 236" TR-TM HOSE		01
10B	0503034492	HYDRAULIC HOSE GRIP (BLACK)		01



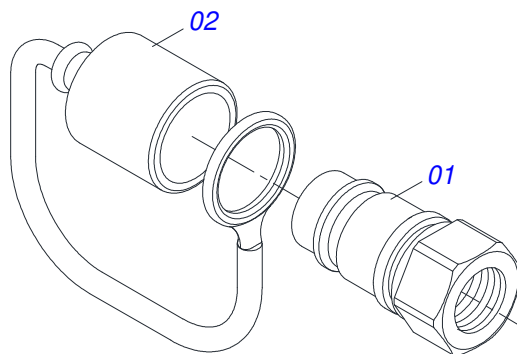
Item	Code	Description	See page	QT
10C	0503034495	HYDRAULIC HOSE GRIP (RED)		01
10D	0503018952	PH 2,5 X 10 ZB PLASTIC BOLT		06
11	0501080106	3/8" X 31" TR-TR HOSE		02
12	0501080931	3/8" X 39" TC-TC HOSE		01
13	0501080065	3/8" X 47" TC-TC HOSE		01
14	0501080432	3/8" X 102" TC-TC HOSE		01
15	0501080393	3/8" X 86" TC-TC HOSE		01



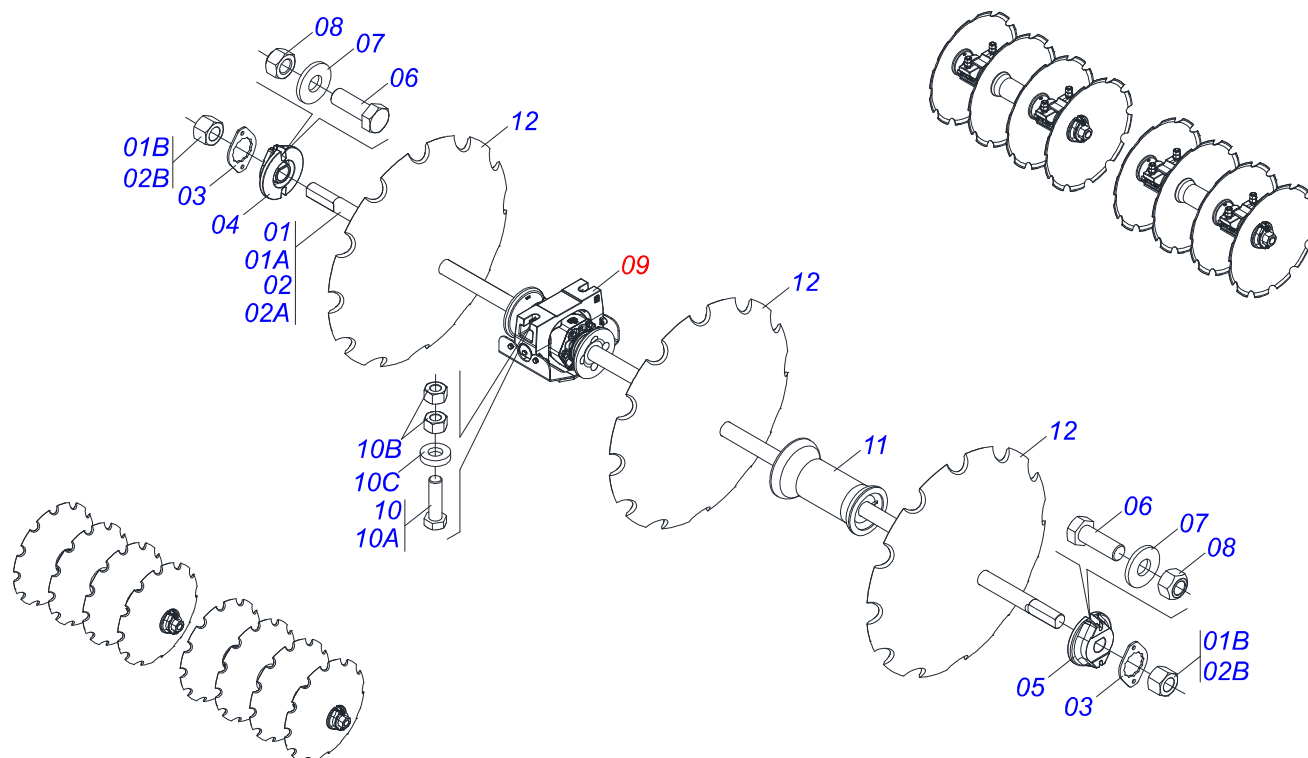
Item	Code	Description	See page	QT
01	0501080850	3/8" X 240" TC-TM HOSE		02
02	0501080578	3/8" X 157" TC-TC HOSE		02
03	0501080909	3/8" X 181" TC-TC HOSE		02
04	0501080450	3/8" X 87" TR-TC HOSE		02
05	0501080401	3/8" X 106" TR-TC HOSE		02
06	0501080205	3/8" X 216" TR-TM HOSE		02
07	0501080106	3/8" X 31" TR-TR HOSE		02
08	0501080931	3/8" X 39" TC-TC HOSE		01
09	0501080065	3/8" X 47" TC-TC HOSE		01
10	0501080432	3/8" X 102" TC-TC HOSE		01
11	0501080393	3/8" X 86" TC-TC HOSE		01



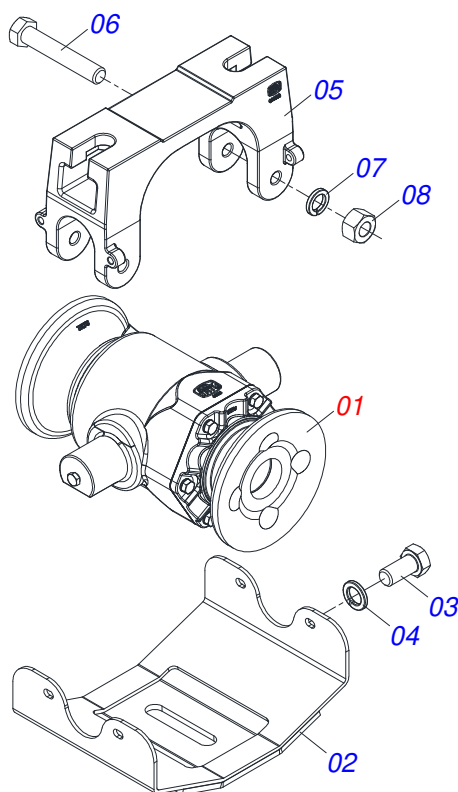
Item	Code	Description	See page	QT
01	0503011883	PLASTIC COVER		01
02	0503011628	FEMALE QUICK COUPLER		01



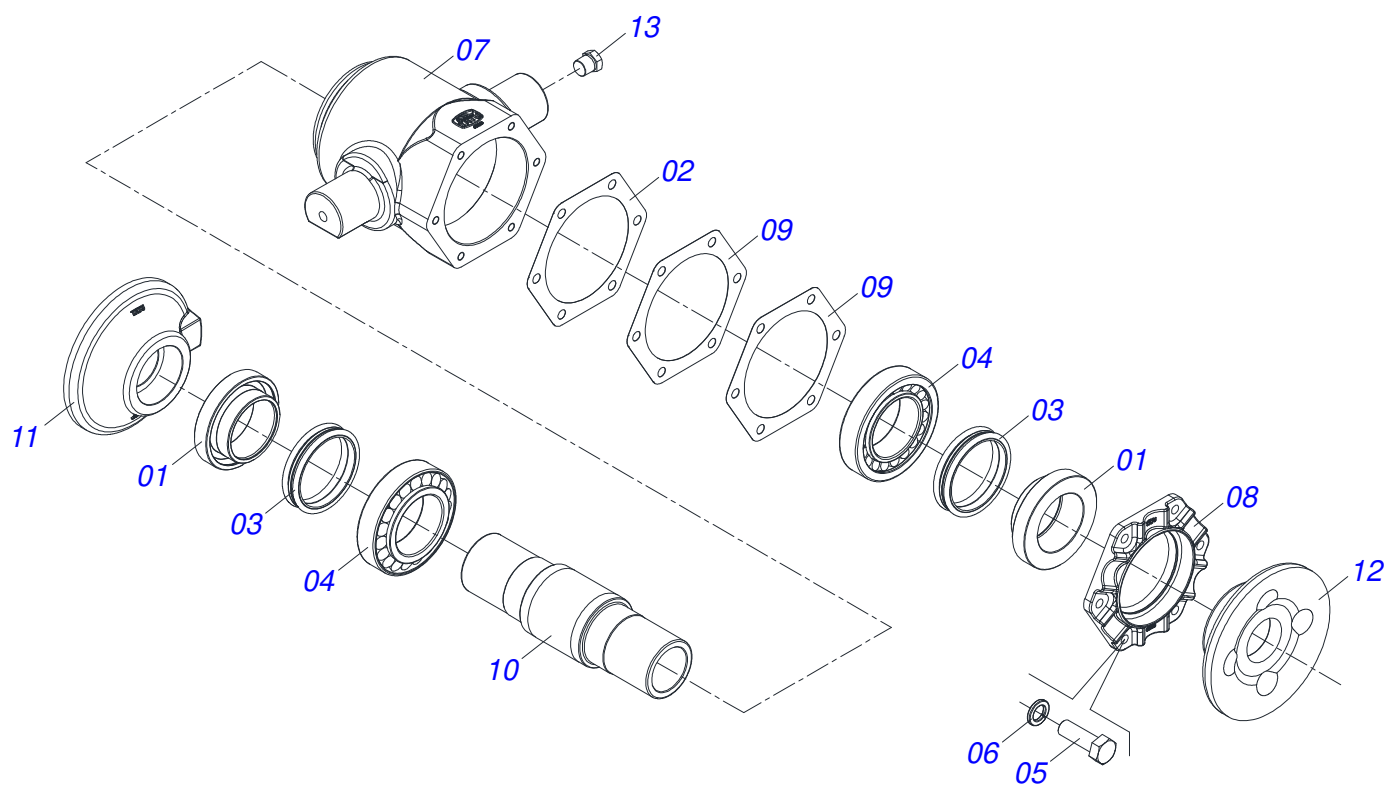
Item	Code	Description	See page	QT
01	0503011627	MALE QUICK COUPLER AGR 1/2 NPT		01
02	0503011882	MALE QUICK COUPLER CAP		01



Item	Code	Description	See page	32	34	36
01	0501040693	2.1/2" X 63" AXLE WITH NUTS		08	06	04
01A	0501010358	2.1/2" X 63" AXLE		01	01	01
01B	0502040064	2-1/2" SNC X 70 99 NUT		02	02	02
02	0501040690	2.1/2" X 80" AXLE WITH NUTS		00	02	04
02A	0501010357	2.1/2" X 81" AXLE		00	01	01
02B	0502040064	2-1/2" SNC X 70 99 NUT		00	02	02
03	0541010368	NUT LOCK		16	16	16
04	0502010592	2-1/2" INNER AXLE WASHER		08	08	08
05	0502010593	2-1/2" EXTERNAL AXLE WASHER		08	08	08
06	0503010232	5/8" X 1.3/4" BOLT		32	32	32
07	0501012140	FLAT WASHER 16,50 X 40 X 4,00 ZN		32	32	32
08	0503012412	5/8" UNC SELF LOCKING NUT		32	32	32
09	0531041571	430 X 2.1/2 DMO BEARING WITH PROTECTION 23 SUPPORT		16	16	16
10	0531040741	1-1/4" UNC X 5 BOLT ASSY		32	32	32
10A	0503011347	1-1/4" X 5" BOLT		01	01	01
10B	0501010087	1.1/4" NUT		02	02	02
10C	0571010448	32,50 X 75 X 16 SLEEVE		01	01	01
11	0502012220	2.1/2" X 17" SPACER		08	10	12
12	0602048062	DR 36 X 12 C130AF04FR2.9/16 12REC		32	34	36
12.	0602051003	DR 40 X 12,00 C143AF04FR2.9/16 12R		32	34	36



Item	Code	Description	See page	QT
01	0531052794	430 X 2.1/2 DMO BEARING	24	01
02	0531062887	PROTECTION CAP		01
03	0503010834	1/2 X 1 BOLT		04
04	0503010019	1/2" SPRING WASHER		04
05	0502013003	2.3/4 BEARING SUPPORT		01
06	0503011198	BOLT 3/4" UNC X 6" CS G.5		02
07	0503010023	3/4" SPRING WASHER		02
08	0503010014	3/4" ZN G.5 (HEAVY) UNC HEX NUT		02



Item	Code	Description	See page	QT
01	0502040119	SEAL RETAINER		02
02	0503035599	205 X 160,5 X 0,20 SEAL GASKET		01
03	0503030029	RETAINER LP JB-259		02
04	0503013243	32218 ROLLER BEARING		02
05	0503010920	1/2 UNC X 1.1/2 C S G.5 ZN BOLT		06
06	0503011440	SPRING WASHER		06
07	0502013002	BEARING HUB		01
08	0502013005	BEARING HUB LID		01
09	0503035600	205 X 160,5 X 0,40 SEAL GASKET		02
10	0502040039	AXLE		01
11	0502040165	INNER FLANGE		01
12	0502040164	OUTER FLANGE		01
13	0503010856	OIL PLUG R 3/8 BSPT		02



MARCHESAN

Technical Publications | Elaboration and Revision

LUIZ CANDIDO

www.marchesan.com.br

