

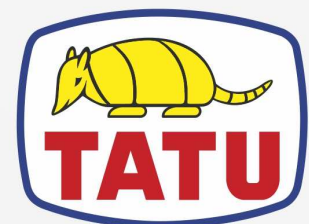
**OFFSET DISK HARROW**

**GASPCR-HD 9017 - AXLE 2.1/2" - MECHANICS -  
18/20/22D**

**GASPCR-HD 9017 - EIXO 2.1/2" - MECANICA -  
18/20/22D**

**Code:** 0501093742  
**Series:** S-1023  
**Revision:** 00  
**Revision Date:** JUNE/2024

# **PARTS CATALOGUE**



**MARCHESAN**



# PRODUCTS

Code	Working Width	Description
0102090472		GASPCR-HD 9017 18X36X12 DR DMO MEC E 2.1/2 S-1023
0102090473		GASPCR-HD 9017 18X38X12 DR DMO MEC E 2.1/2 S-1023
0102090474		GASPCR-HD 9017 18X40X12 DR DMO MEC E 2.1/2 S-1023
0102090478		GASPCR-HD 9017 20X36X12 DR DMO MEC E 2.1/2 S-1023
0102090479		GASPCR-HD 9017 20X38X12 DR DMO MEC E 2.1/2 S-1023
0102090480		GASPCR-HD 9017 20X40X12 DR DMO MEC E 2.1/2 S-1023
0102090484		GASPCR-HD 9017 22X36X12 DR DMO MEC E 2.1/2 S-1023
0102090485		GASPCR-HD 9017 22X38X12 DR DMO MEC E 2.1/2 S-1023
0102090486		GASPCR-HD 9017 22X40X12 DR DMO MEC E 2.1/2 S-1023

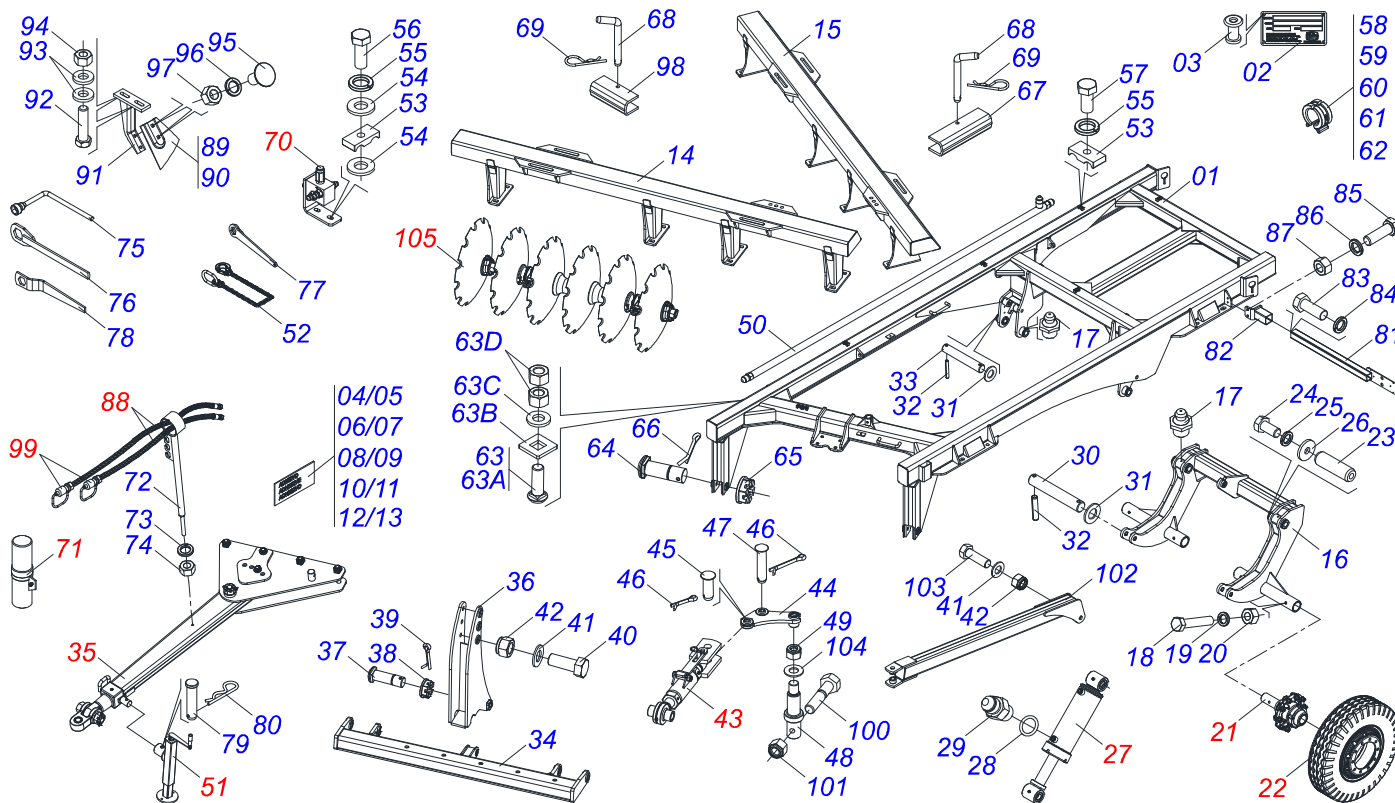
## ATTENTION: IMPORTANT

Marchesan S.A. reserves the right to improve and/or modify the technical features of its products, without obligation to do the same with those products already sold and without prior knowledge of the dealer or the customer. The photos are only illustrative.



# INDEX

0909097256	FRAME ASSY - 18/20/22D	.....	1
0501057120	WHEEL WITHOUT TIRE	.....	2
0503061582	TIRE WHEELS	.....	3
0521051832	HYDRAULIC CYLINDER 53,98 X 114,30 X 654 X 346	.....	4
0521041823	TRACTION BAR ASSY (PIN 3")	.....	5
0531040171	HITCH ASSY	.....	6
0511059199	STABILIZER BAR REGULATOR EXTENSOR	.....	7
0511048088	DRAWBAR JACK	.....	8
0511059196	VALVE ASSY	.....	9
0521052190	MANUAL CANISTER ASSY	.....	10
0521052483	HOSE GAME	.....	11
0501053834	MALE QUICK COUPLER	.....	12
0909097257	DISC GANG ASSY	.....	13
0531041571	430 X 2.1/2 DMO BEARING WITH PROTECTION SUPPORT	.....	14
0531052794	430 X 2.1/2 DMO BEARING	.....	15



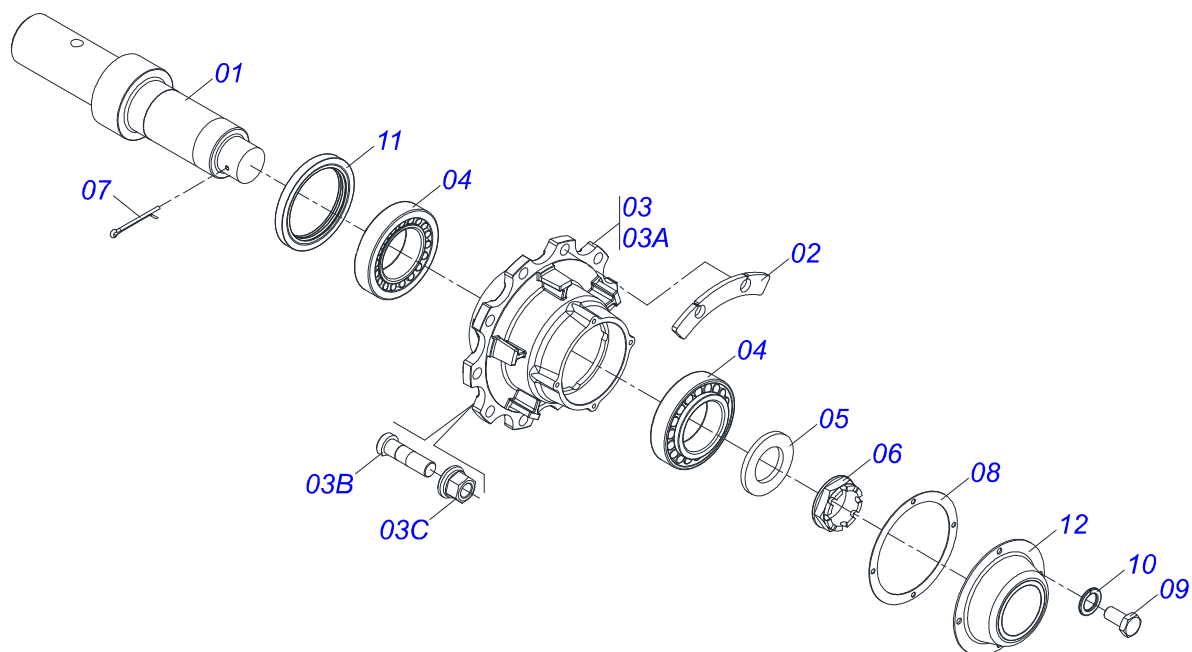
Item	Code	Description	See page	18	20	22
001	0521068243	FRAME		01	01	01
002	0503034003	61 X 118 SERIAL NUMBER TAG		01	01	01
003	0503010001	RIVET 3,2 X 5,5		04	04	04
004	0503034078	LIFTING POINTS DECAL		04	04	04
005	0503031738	WARNING DECAL		03	03	03
006	0503031739	DANGER DECAL		01	01	01
007	0503034499	HOSE IDENTIFICATION DECAL		01	01	01
008	0503031428	ATTENTION READ MANUAL DECAL		01	01	01
009	0503031827	DAILY LUBRICATION AND RETIGHTENING DECAL		01	01	01
010	0503031087	AUTO CONTROL APPROVED DECAL		01	01	01
011	0503033038	DANGER DECAL		01	01	01
012	0503034976	GASPCR HD 9017 LOGO DECAL		02	02	02
013	0503033428	TATU LOGO DECAL		02	02	02
013.	0503031739	DANGER DECAL		01	01	01
014	0521062611	FRONT FRAME - 18D		01	00	00
014.	0511067420	FRONT FRAME - 20D		00	01	00
014..	0521062613	FRONT FRAME - 22D		00	00	01
015	0521062614	REAR FRAME - 18D		01	00	00
015.	0511067421	REAR FRAME - 20D		00	01	00
015..	0521062615	REAR FRAME - 22D		00	00	01
016	0521066478	CARRYNG-WHEELS		01	01	01
017	0503010002	1800 GREASE FITTING		03	03	03
018	0503011198	BOLT 3/4" UNC X 6" CS G.5		04	04	04
019	0503010023	3/4" SPRING WASHER		04	04	04
020	0503010014	3/4" ZN G.5 (HEAVY) UNC HEX NUT		04	04	04
021	0501057120	WHEEL WITHOUT TIRE	2	04	04	04
022	0503061582	TIRE WHEELS	3	04	04	04
023	0531018062	COUPLING SHAFT		02	02	02
024	0503011250	1" X 2" BOLT		04	04	04
025	0503010012	1" SPRING WASHER		04	04	04
026	0521011565	FLAT WASHER		04	04	04
027	0521051832	HYDRAULIC CYLINDER 53,98 X 114,30 X 654 X 346	4	02	02	02



Item	Code	Description	See page	18	20	22
028	0503010190	2-114 N 3006-9B O'RING		04	04	04
029	0501010617	NIPLE 3/4" NF X 3/4" NF HEX. 7/8" X 44		04	04	04
030	0531018101	1.2" X 6.3" PIVOT SHAFT		02	02	02
031	0501017779	FLAT WASHER 32 X 60 X 4,75		08	08	08
032	0503011877	0.3" X 2.4" SPRING PIN		08	08	08
033	0531018105	1.2" X 11.8" PIVOT SHAFT		02	02	02
034	0521068250	HITCH BAR		01	01	01
035	0521041823	TRACTION BAR ASSY (PIN 3")	5	01	01	01
036	0521066758	DRAWBAR ARTICULATOR		01	01	01
037	0521012053	1.5" X 8.6" AXLE		01	01	01
038	0501011301	1.1/2" UNC 6FPP 2.5/16" NUT		01	01	01
039	0503010010	1/4" X 2.1/2" SPLIT PIN		01	01	01
040	0521017351	1-1/4" X 8" BOLT		01	01	01
041	0501017779	FLAT WASHER 32 X 60 X 4,75		02	02	02
042	0503010817	1.1/4" SELF LOCKING NUT		02	02	02
043	0511059199	STABILIZER BAR REGULATOR EXTENSOR	7	01	01	01
044	0521066960	STABILIZER BAR ARTICULATOR		01	01	01
045	0521010780	1.2" X 4.5" COUPLING SHAFT		01	01	01
046	0503010523	1/4 X 2 SPLIT PIN		01	01	01
047	0581011919	31,75 X 170 ZN COUPLING SHAFT		01	01	01
048	0581011775	STABILIZER BAR ARTICULATING PIVOT AXLE		01	01	01
049	0503010290	SELF ADJUSTING 1.1/2" UNF NUT		01	01	01
050	0521066937	OIL DISTRIBUTOR DUCT		02	02	02
051	0511048088	DRAWBAR JACK	8	01	01	01
052	0503013150	1300 X 3/8" CHAIN		01	01	01
053	0502010477	HOSE CLAMP		05	05	05
054	0501012803	FLAT WASHER 12 X 30 X 3,00 ZN		04	04	04
055	0503010180	7/16" SPRING WASHER		04	04	04
056	0503011173	7/16" X 2" BOLT		02	02	02
057	0503011135	BOLT 7/16" UNC X 1.1/2" C S G.5 ZN		03	03	03
058	0501047895	25 ROD STOP		06	06	06
059	0501047885	30 ROD STOP		03	03	03
060	0501047886	35 ROD STOP		03	03	03
061	0501047887	40 ROD STOP		03	03	03
062	0501047888	45 ROD STOP		03	03	03
063	0521040349	1-1/4" X 5.3/4" BOLT		08	08	08
063A	0501010954	1.1/4" X 5.3/4" BOLT		01	01	01
063B	0571010449	LOCK BOLT		01	01	01
063C	0571010448	32,50 X 75 X 16 SLEEVE		01	01	01
063D	0501010087	1.1/4" NUT		02	02	02
064	0541014119	37.5 X 195 COUPLING SHAFT		02	02	02
065	0501011301	1.1/2" UNC 6FPP 2.5/16" NUT		02	02	02
066	0503010010	1/4" X 2.1/2" SPLIT PIN		02	02	02
067	0561016693	TRANSPORT LOCK		02	02	02
068	0541016844	FIXER LOCK		03	03	03
069	0503030285	HITCH PIN CLIP		03	03	03
070	0511059196	VALVE ASSY	9	01	01	01
071	0521052190	MANUAL CANISTER ASSY	10	01	01	01
072	0531061120	HOSE SUPPORT		01	01	01
073	0503010023	3/4" SPRING WASHER		01	01	01
074	0503010014	3/4" ZN G.5 (HEAVY) UNC HEX NUT		01	01	01
075	0503016137	1-1/4" WRENCH CABLE CYLINDER		01	01	01
076	0501316941	KEY 2.1/8 AND 2.1/2		02	02	02
077	0521062858	1.1/4" WRENCH NUT		01	01	01
078	0501011432	1-1/2" AND 1-5/8 GANG BOLT WRENCH		01	01	01
079	0561014251	COUPLING SHAFT		01	01	01
080	0503030012	HITCH PIN CLIP		01	01	01
081	0521066443	SUPPORT FIXER LANTERN		02	02	02
082	0521066624	FIXER SUPPORT LANTERN		02	02	02
083	0501010098	BOLT 3/4" UNC X 2 C S G.5 ZN		02	02	02
084	0503010023	3/4" SPRING WASHER		02	02	02

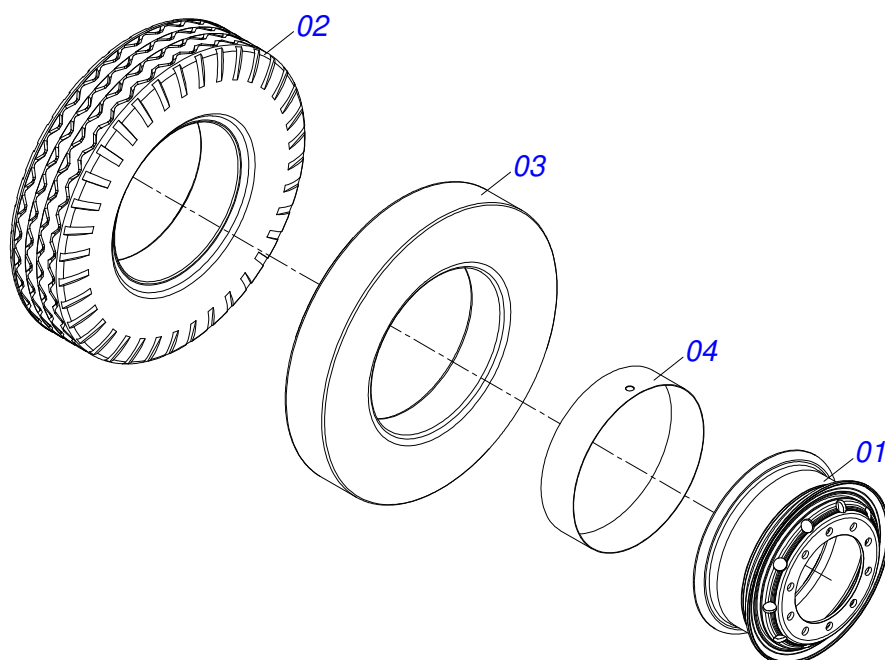


Item	Code	Description	See page	18	20	22
085	0503011082	C1/2" X 1.3/4" SCREW		04	04	04
086	0503010019	1/2" SPRING WASHER		04	04	04
087	0503010060	1/2 UNC G.5 ZN HEX NUT		04	04	04
088	0521052483	HOSE GAME	11	01	01	01
089	0521013678	FRONT CLEANER		09	10	11
090	0521013679	REAR CLEANER		09	10	11
091	0511064771	FRONT SCRAPER SUPPORT		18	20	22
092	0501010500	3/4" X 3" BOLT		36	40	44
093	0541010763	FLAT WASHER		72	80	88
094	0503010014	3/4" ZN G.5 (HEAVY) UNC HEX NUT		40	44	48
095	0503012195	5/8" NUT		36	40	44
096	0503010027	5/8 SPRING WASHER		36	40	44
097	0503010013	5/8 UNC G.5 ZN HEX NUT		36	40	44
098	0551019515	LATCH SHIPPING		01	01	01
099	0501053834	MALE QUICK COUPLER	12	02	02	02
100	0501010216	3/4 UNC X 4.1/2 C S G.5 ZN BOLT		01	01	01
101	0503011075	3/4 UNC LOCK NUT		01	01	01
102	0521066759	STABILIZER BAR		01	01	01
103	0503013321	SCREW 1.1/4 UNF X 7 C S G.8 ZN		01	01	01
104	0501010287	FLAT WASHER		01	01	01
105		DISC GANG ASSY	13			



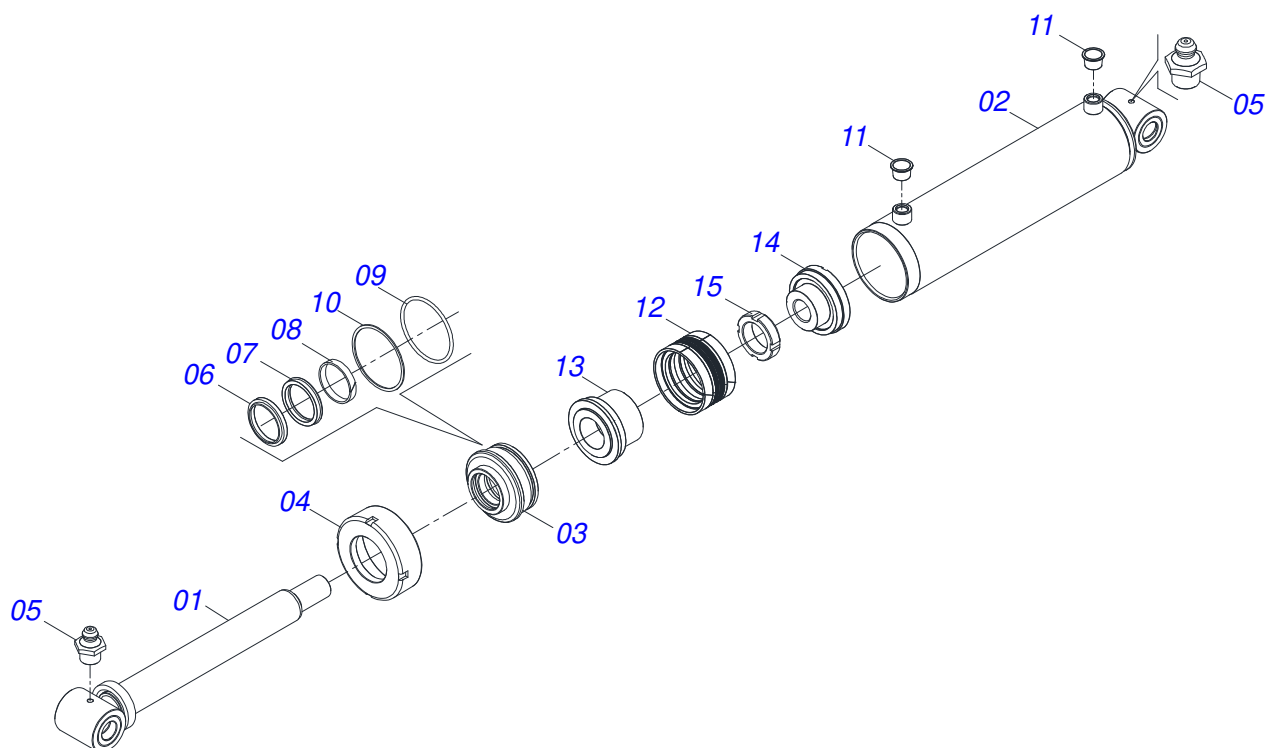
Item	Code	Description	See page	QT
01	0551011426	POINT AXIS R2.1/2UN		01
02	0561015521	FLANGE WHEEL HUB		05
03	0501110761	BOX WHEEL WITH BOLT 25-45FT		01
03A	0502012462	WHEEL HUB		01
03B	0503014050	BOLT M22 X 1,5 X 77/87 188RT		10
03C	0503014048	HEX NUT M22 X 1,5" CH 32 X 33,5		10
04	0503010118	32218 BEARING		02
05	0531019986	64 X 110 X 9.5 FLAT WASHER		01
06	0502040080	FLANGE NUT R.2.1/2" UN		01
07	0503012213	1/4" X 4" SPLIT PIN		01
08	0503013548	JOINT CORK CR4F		01
09	0503013546	BOLT SX MA5,8 M10X1,5X20ZA DI		04
10	0503013542	M10 SPRING WASHER		04
11	0503013541	REAR RETAINER 0310-BG AR22 1G25356		01
12	0503013549	HUB COVER		01

TIRE WHEELS



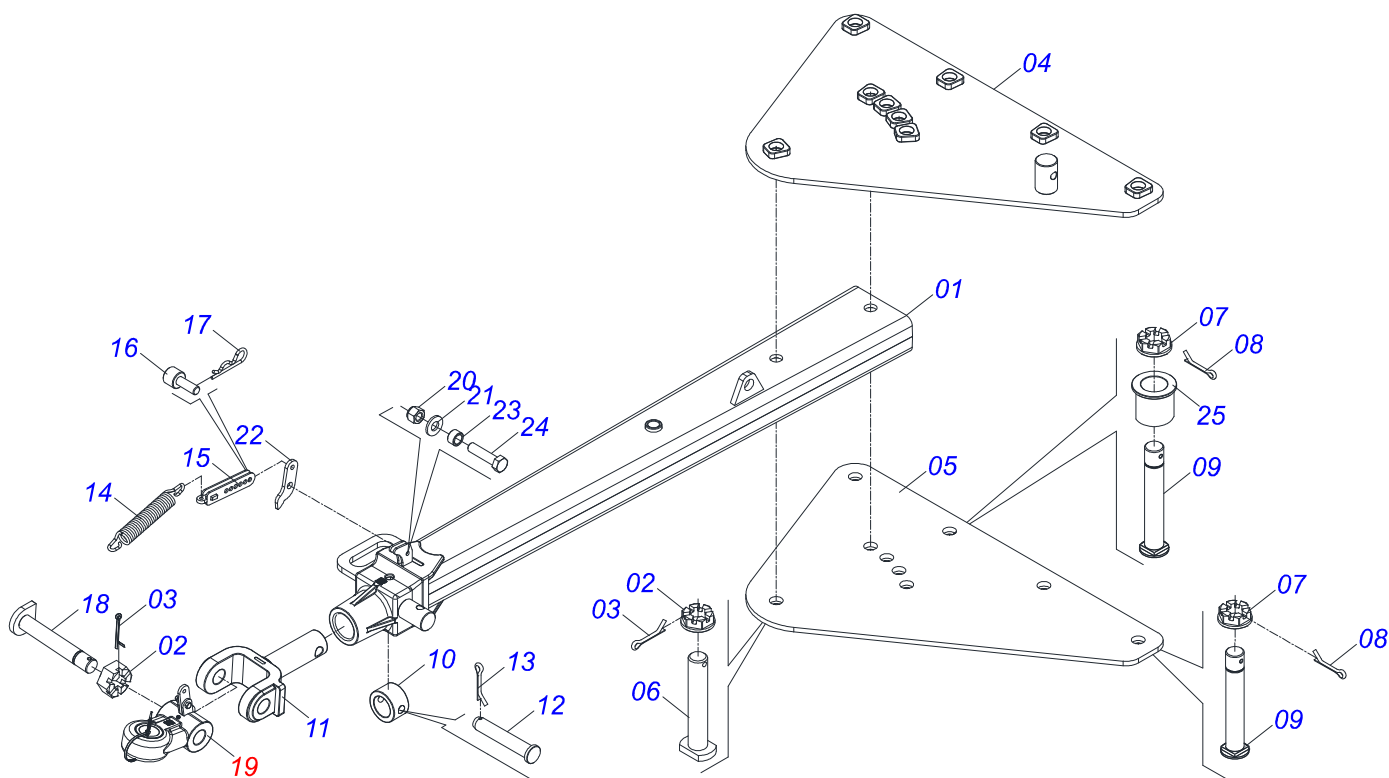
Item	Code	Description	See page	QT
01	0503014184	7.00 X 20" WHEEL		01
02	0503010494	9.0LX 20" X 14 PLY, TIRE		01
03	0503010057	INNER TIRE		01
04	0503010470	PROTECTION		01





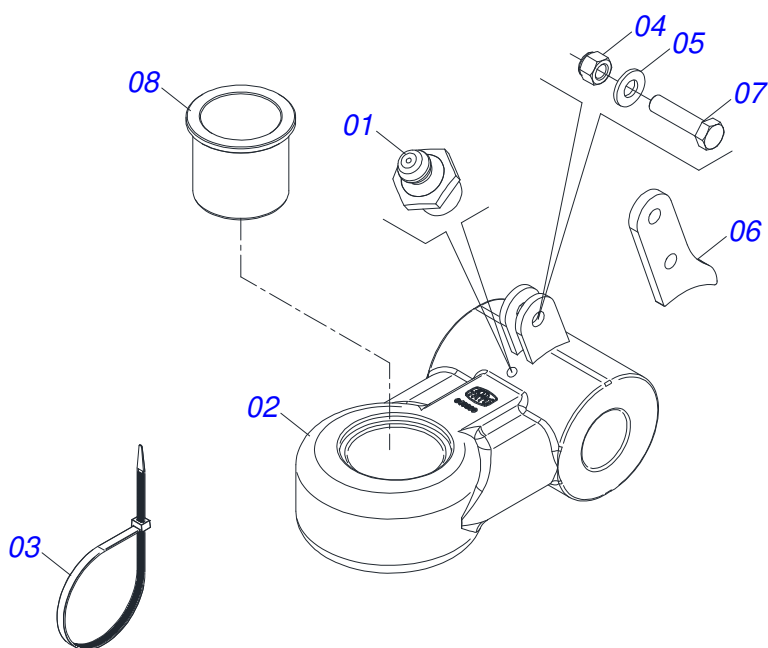
Item	Code	Description	See page	QT
01	0521061684	56,98 X 590,50 TURNBUCKLE		01
02	0521061685	114,30 X 500 CYLINDER CASE		01
03	0502012644	RING SUPPORT		01
04	0502011222	END CAP 4 . 1/2"		01
05	0503010002	1800 GREASE FITTING		02
06	0503015715	SCRAPER SEALING		01
07	0503015642	U-CUP SEALING RUUB000970		01
08	0503015641	WEAR RING		00
09	0503011892	O' RING, 2-346 N 3006-9B		01
10	0503011893	BACK-UP RING, 8-346		01
11	0503030384	PLUG N-001		02
12	0503015640	SEALING SELEMASTER		01
13	0561016578	PISTON BODY		01
14	0581015283	BODY		01
15	0503819100	SCREW		01
16	0511034304	HYDRAULIC CYLINDER REPAIR KIT (0521051832)		01

TRACTION BAR ASSY (PIN 3")



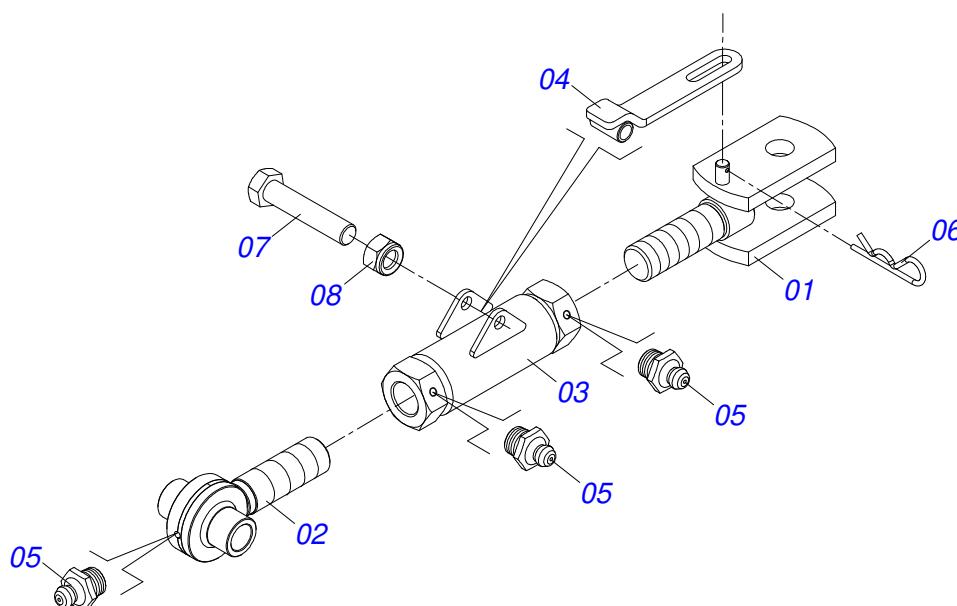
Item	Code	Description	See page	QT
01	0521068249	TRACTION BAR (AXLE 2)		01
02	0502040558	2" CASTLE NUT		02
03	0503010074	3/8" X 4" SPLIT PIN		02
04	0521068246	UPPER PLATE (AXLE 2)		01
05	0521068247	LOWER PLATE (AXLE 2)		01
06	0521068248	JUNCTION AXLE WITH LOCK		01
07	0501811301	CASTLE NUT		05
08	0503010010	1/4" X 2.1/2" SPLIT PIN		05
09	0521811880	37,50 X 230 X PQ R.1./2 JUNCTION AXLE		05
10	0502040263	HITCH LOCK RING		01
11	1902040897	TRACTOR HITCH		01
12	0561017306	COUPLING SHAFT		01
13	0503010523	1/4 X 2 SPLIT PIN		01
14	0503031741	1.8" X 11.4" 0.3" TRACTION SPRING		01
15	0531061607	SPRING REGULATOR		01
16	0591014558	SPRING REGULATOR FIXER AXLE		01
17	0503030285	HITCH PIN CLIP		01
18	0531061122	AXIS ARTICULATOR		01
19	0531040171	HITCH ASSY	6	01
20	0503010589	1/2" UNC SELF ADJUSTING NUT		01
21	0501010937	13,50 X 28 X 3,00 FLAT WASHER		01
22	0591014554	REAR SUPPORT FIXING SPRING		01
23	0591014552	SLEEVE		01
24	0503010740	BOLT 1/2 UNC X 2 CS G.5 ZN		01
25	0591013086	SLEEVE 52,8 X 78 X 76 (PIN 2")		01

HITCH ASSY



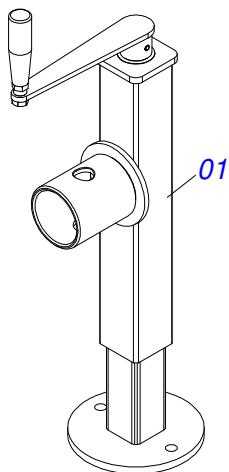
Item	Code	Description	See page	QT
01	0503010002	1800 GREASE FITTING		01
02	0531061121	HITCH		01
03	0503018829	NYLON CLAMP 7,8 X 1,8 X 390 MM		01
04	0503010589	1/2" UNC SELF ADJUSTING NUT		01
05	0501010937	13,50 X 28 X 3,00 FLAT WASHER		01
06	0591014555	FRONT SUPPORT FIXING SPRING		01
07	0503010740	BOLT 1/2 UNC X 2 CS G.5 ZN		01
08	0591013448	SLEEVE 65,50 X 78 X 76 (PIN 2.1/2")		01

STABILIZER BAR REGULATOR EXTENSOR



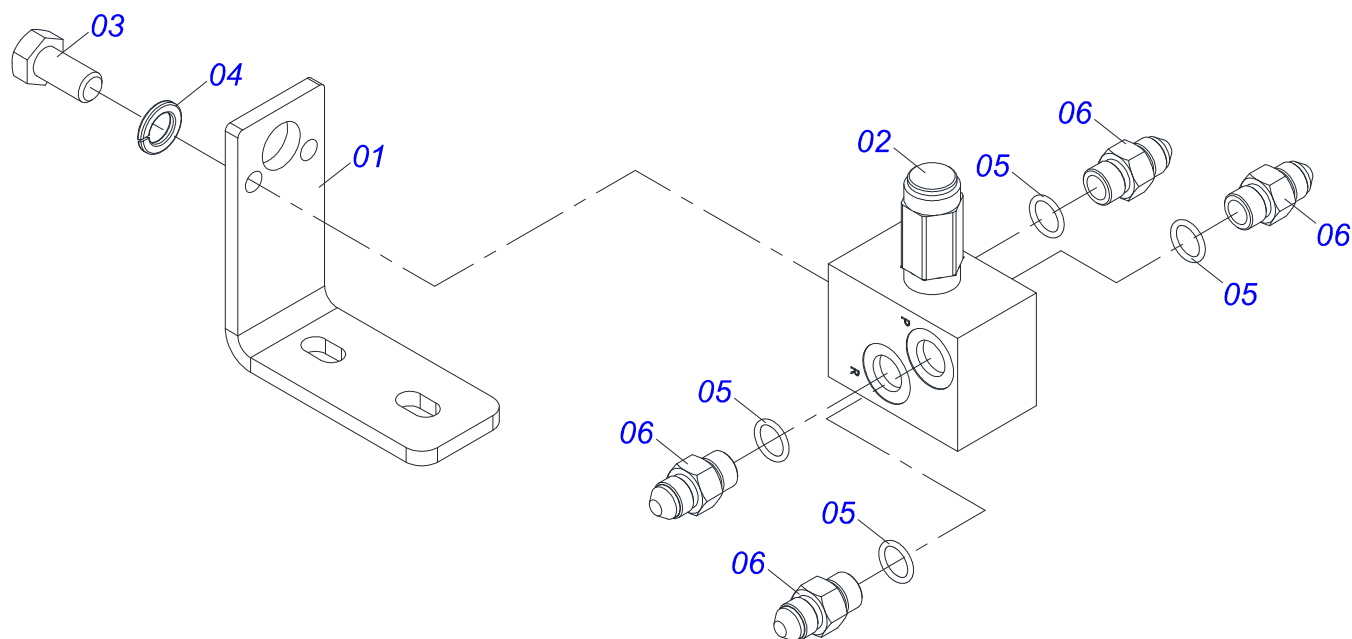
Item	Code	Description	See page	QT
01	0521066962	EXTENSION PIN C/O. R.1.3/4 LEFT		01
02	0521066965	JACK CRANK NUT FIXER R.1.3/4 UNC DIREITO		01
03	0521066963	ADJUSTMENT NUT R.1.3/4 UNC (245)		01
04	0521066964	STABILIZER TENSOR REGULATOR LEVER		01
05	0503010002	1800 GREASE FITTING		03
06	0503030285	HITCH PIN CLIP		01
07	0503010806	5/8" X 3" BOLT		01
08	0503010878	5/8" SELF ALIGNING NUT		01

DRAWBAR JACK

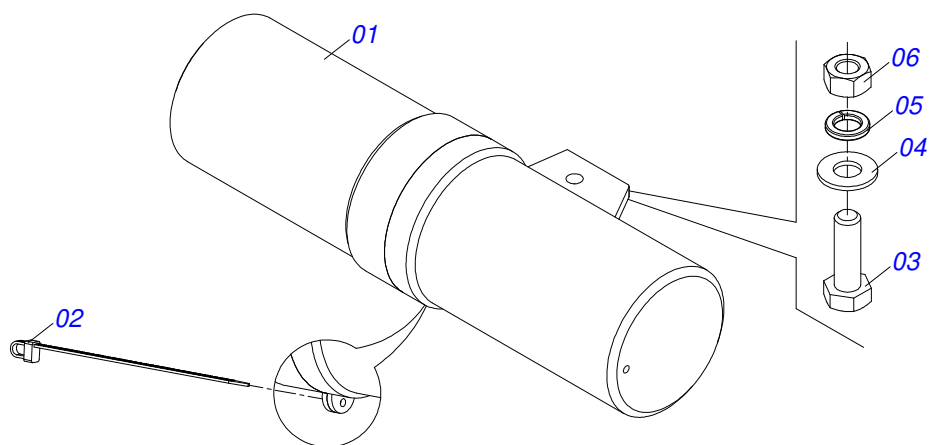


Item	Code	Description	See page	QT
01	0503062227	DRAWBAR JACK		01

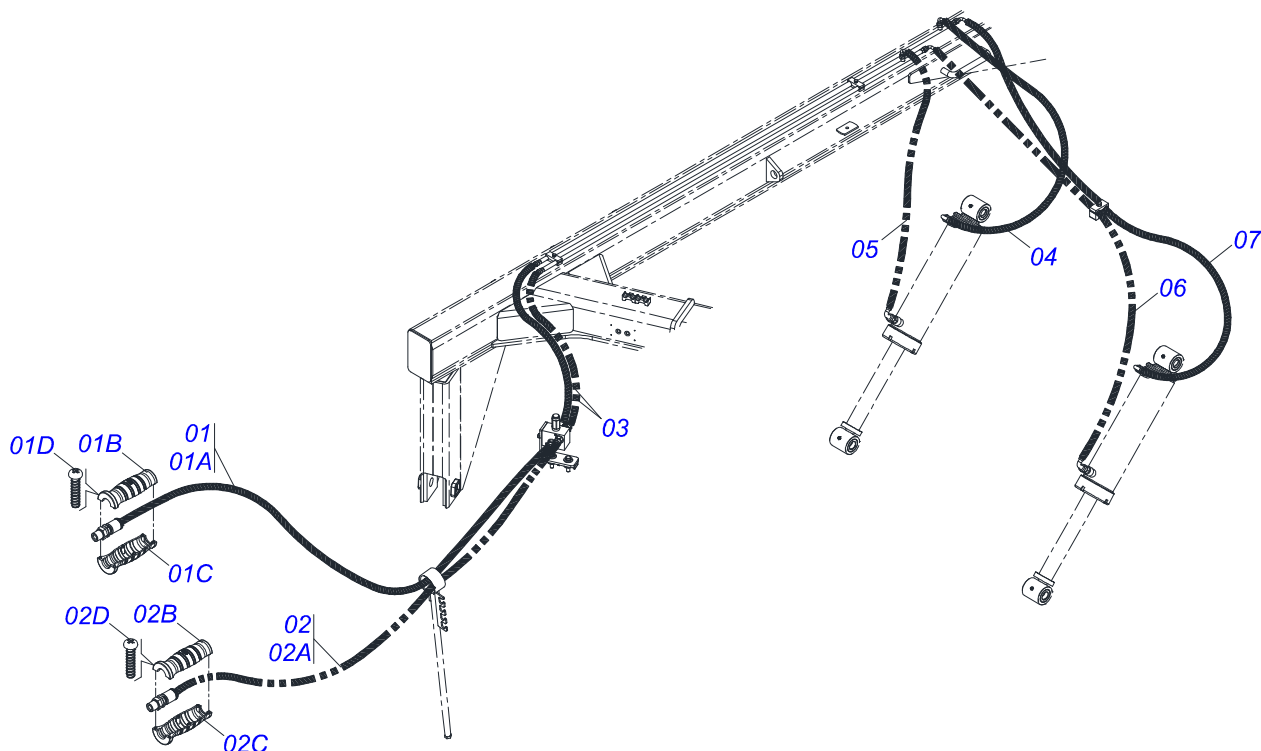
VALVE ASSY



Item	Code	Description	See page	QT
01	0581011745	VALVE SUPPORT		01
02	0503010919	DISCHARGE VALVE		01
03	0503011334	3/8 UNC X 3/4 CS G.5 ZN BOLT		02
04	0503010025	3/8" SPRING WASHER		02
05	0503010190	2-114 N 3006-9B O'RING		04
06	0501010617	NIPLE 3/4" NF X 3/4" NF HEX. 7/8" X 44		04



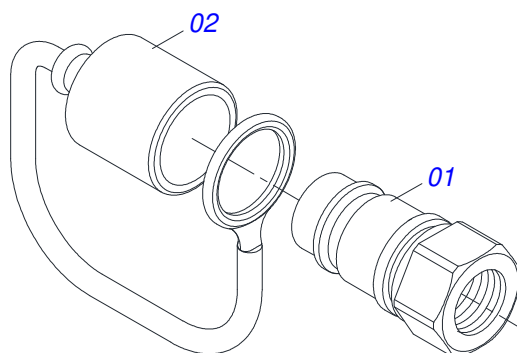
Item	Code	Description	See page	QT
01	0503060100	SUPPORT INSTRUCTION MANUAL		01
02	0503010267	NYLON CLAMP 3,60 X 1,3 X 155 MM		01
03	0503010363	BOLT 5/16 UNC X 1 C S G.2 ZN		01
04	0501010694	FLAT WASHER 32,50 X 75 X 4,75		01
05	0503010179	LOCK WASHER 5/16 ZN 1K01528		01
06	0503010337	NUT 5/16 UNC G.5 ZN		01



Item	Code	Description	See page	QT
01	0531055151	3/8" X 236" TR-TM BLACK/RED HOSE		01
01A	0501082444	3/8" X 236" TR-TM HOSE		01
01B	0503034492	HYDRAULIC HOSE GRIP (BLACK)		01
01C	0503034495	HYDRAULIC HOSE GRIP (RED)		01
01D	0503018952	PH 2,5 X 10 ZB PLASTIC BOLT		06
02	0531055152	3/8" X 236" TR-TM BLACK/BLUE HOSE		01
02A	0501082444	3/8" X 236" TR-TM HOSE		01
02B	0503034492	HYDRAULIC HOSE GRIP (BLACK)		01
02C	0503034494	HYDRAULIC HOSE GRIP (BLUE)		01
02D	0503018952	PH 2,5 X 10 ZB PLASTIC BOLT		06
03	0501080106	3/8" X 31" TR-TR HOSE		02
04	0501080931	3/8" X 39" TC-TC HOSE		01
05	0501080065	3/8" X 47" TC-TC HOSE		01
06	0501080432	3/8" X 102" TC-TC HOSE		01
07	0501080393	3/8" X 86" TC-TC HOSE		01

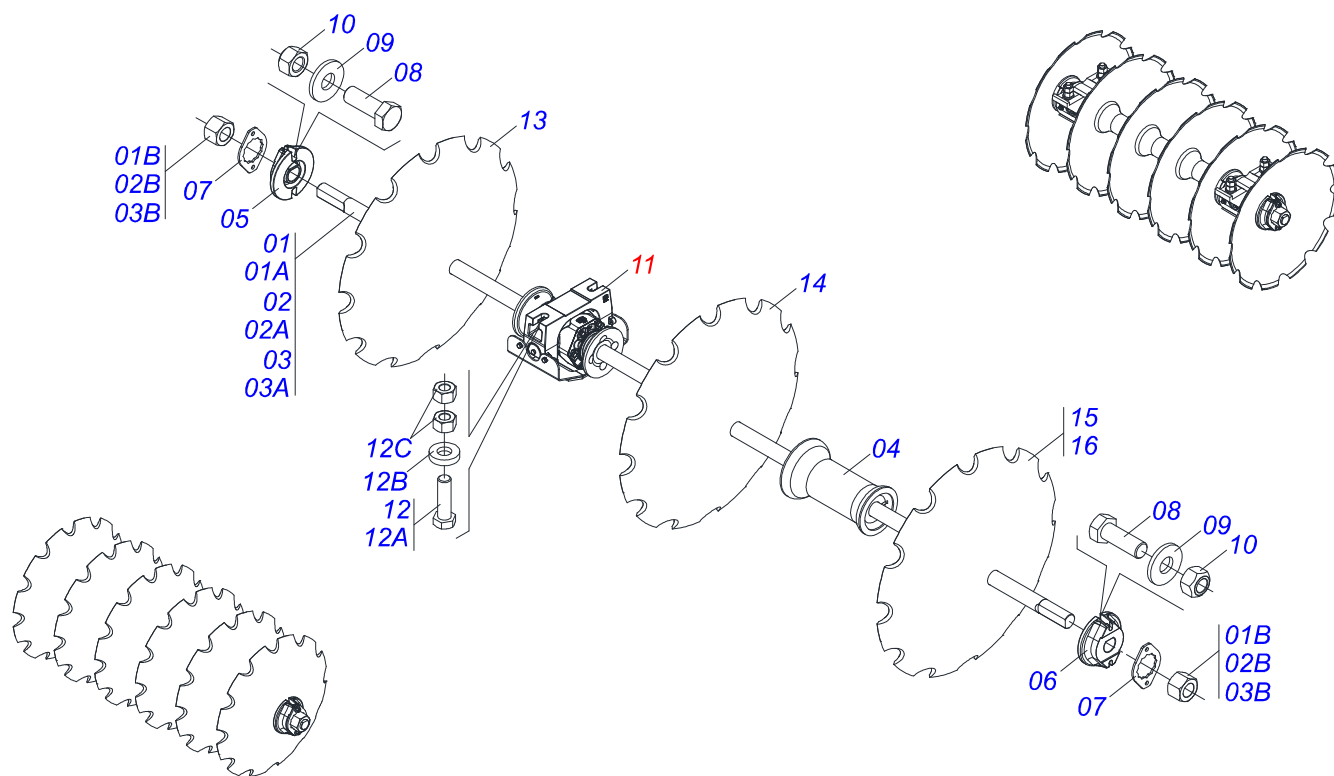


MALE QUICK COUPLER

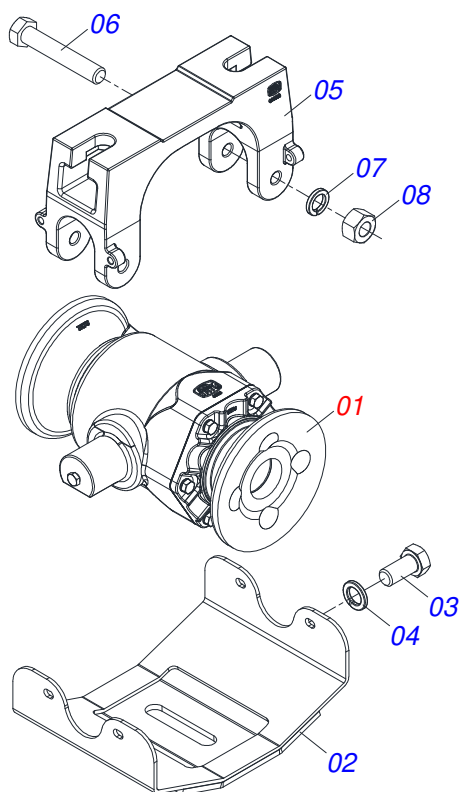


Item	Code	Description	See page	QT
01	0503011627	MALE QUICK COUPLER AGR 1/2 NPT		01
02	0503011882	MALE QUICK COUPLER CAP		01

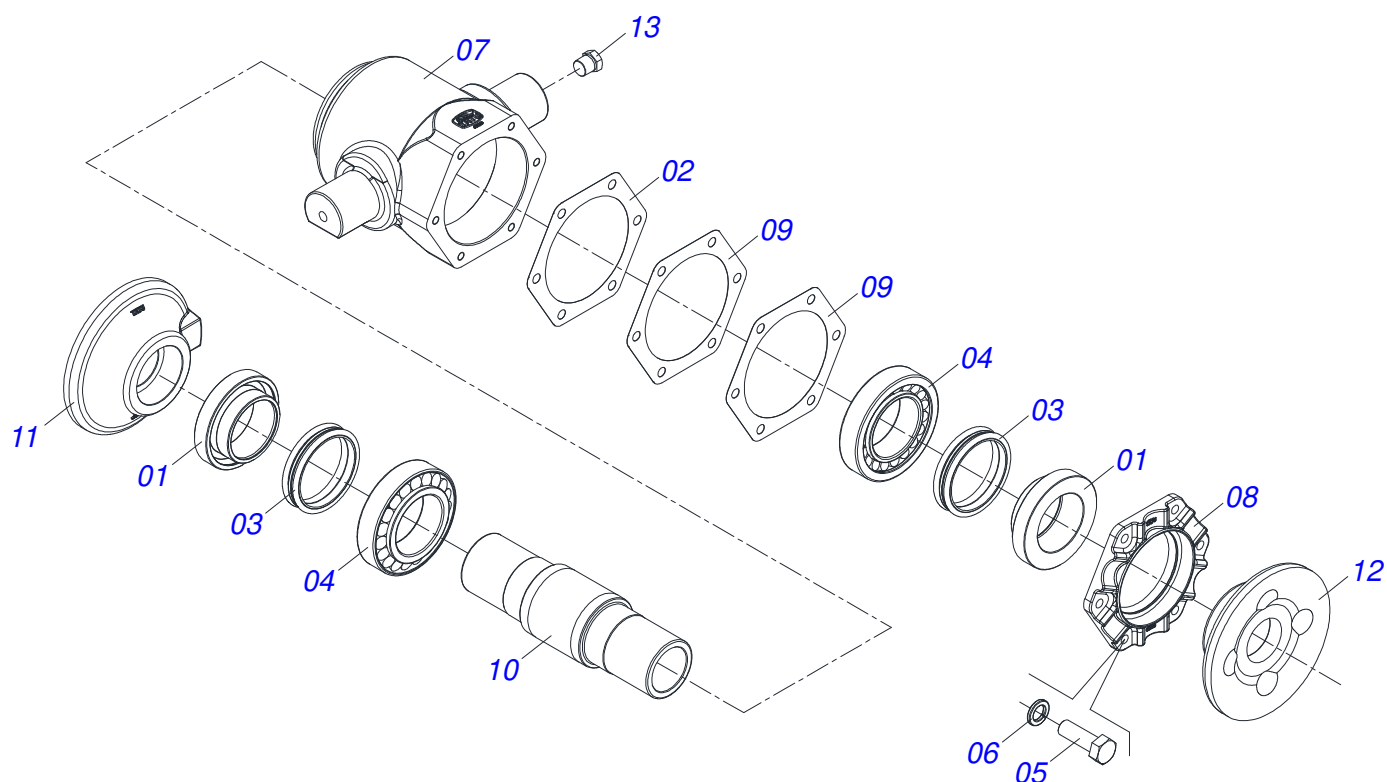
DISC GANG ASSY



Item	Code	Description	See page	18	20	22
01	0501040693	2.1/2" X 63" AXLE WITH NUTS		02	00	00
01A	0501010358	2.1/2" X 63" AXLE		01	00	00
01B	0502040064	2-1/2" SNC X 70 99 NUT		02	00	00
02	0501040690	2.1/2" X 80" AXLE WITH NUTS		02	04	02
02A	0501010357	2.1/2" X 81" AXLE		01	01	01
02B	0502040064	2-1/2" SNC X 70 99 NUT		02	02	02
03	0501040691	2-1/2" X 97" AXLE WITH NUTS		00	00	02
03A	0501010356	2-1/2" X 97" AXLE		00	00	01
03B	0502040064	2-1/2" SNC X 70 99 NUT		00	00	02
04	0502012220	2.1/2" X 17" SPACER		06	08	10
05	0502010592	2-1/2" INNER AXLE WASHER		04	04	04
06	0502010593	2-1/2" EXTERNAL AXLE WASHER		04	04	04
07	0541010368	NUT LOCK		08	08	08
08	0503010232	5/8" X 1.3/4" BOLT		16	16	16
09	0501012140	FLAT WASHER 16,50 X 40 X 4,00 ZN		16	16	16
10	0503012412	5/8" UNC SELF LOCKING NUT		16	16	16
11	0531041571	430 X 2.1/2 DMO BEARING WITH PROTECTION 14 SUPPORT		08	08	08
12	0531040741	1-1/4" UNC X 5 BOLT ASSY		16	16	16
12A	0503011347	1-1/4" X 5" BOLT		01	01	01
12B	0571010448	32,50 X 75 X 16 SLEEVE		01	01	01
12C	0501010087	1.1/4" NUT		02	02	02
13	0602048051	DR 36 X 12 C123AF04FR2.9/16 12REC		18	20	22
14	0602050016	DR 38 X 12 C140AF04FR2.9/16 12REC		18	20	22
15	0602051003	DR 40 X 12,00 C143AF04FR2.9/16 12R		18	20	22
16	0602051017	NOTCHED DISK		18	20	22



Item	Code	Description	See page	QT
01	0531052794	430 X 2.1/2 DMO BEARING	15	01
02	0531062887	PROTECTION CAP		01
03	0503010834	1/2 X 1 BOLT		04
04	0503010019	1/2" SPRING WASHER		04
05	0502013003	2.3/4 BEARING SUPPORT		01
06	0503011198	BOLT 3/4" UNC X 6" CS G.5		02
07	0503010023	3/4" SPRING WASHER		02
08	0503010014	3/4" ZN G.5 (HEAVY) UNC HEX NUT		02



Item	Code	Description	See page	QT
01	0502040119	SEAL RETAINER		02
02	0503035599	205 X 160,5 X 0,20 SEAL GASKET		01
03	0503030029	RETAINER LP JB-259		02
04	0503013243	32218 ROLLER BEARING		02
05	0503010920	1/2 UNC X 1.1/2 C S G.5 ZN BOLT		06
06	0503011440	SPRING WASHER		06
07	0502013002	BEARING HUB		01
08	0502013005	BEARING HUB LID		01
09	0503035600	205 X 160,5 X 0,40 SEAL GASKET		02
10	0502040039	AXLE		01
11	0502040165	INNER FLANGE		01
12	0502040164	OUTER FLANGE		01
13	0503010856	OIL PLUG R 3/8 BSPT		02





**MARCHESAN**

**Technical Publications | Elaboration and Revision**

LUIZ CANDIDO

[www.marchesan.com.br](http://www.marchesan.com.br)

