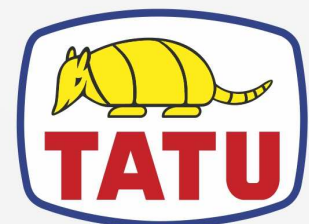


**OFFSET DISK HARROW**

**GAPCR 7913 - 12/14/16D - AXIS 2.1/8"**  
**GAPCR 7913 - 12/14/16D - EIXO 2.1/8"**

**Code:** 0501093711  
**Series:** S-0923  
**Revision:** 00  
**Revision Date:** APRIL/2024

# **PARTS CATALOGUE**



**MARCHESAN**



# PRODUCTS

Code	Working Width	Description
0102060423		GAPCR 7913 12X32X9,0 DR DMO E 2.1/8 S/PN S-0923
0102060385		GAPCR 7913 14 X 32 X 9,0 DR DMO E 2.1/8 S-0923
0102060422		GAPCR 7913 14X32X9,0 DR DMO E 2.1/8 S/PN S-0923
0102060424		GAPCR 7913 16X32X9,0 DR DMO E 2.1/8 S/PN S-0923

## ATTENTION: IMPORTANT

Marchesan S.A. reserves the right to improve and/or modify the technical features of its products, without obligation to do the same with those products already sold and without prior knowledge of the dealer or the customer. The photos are only illustrative.

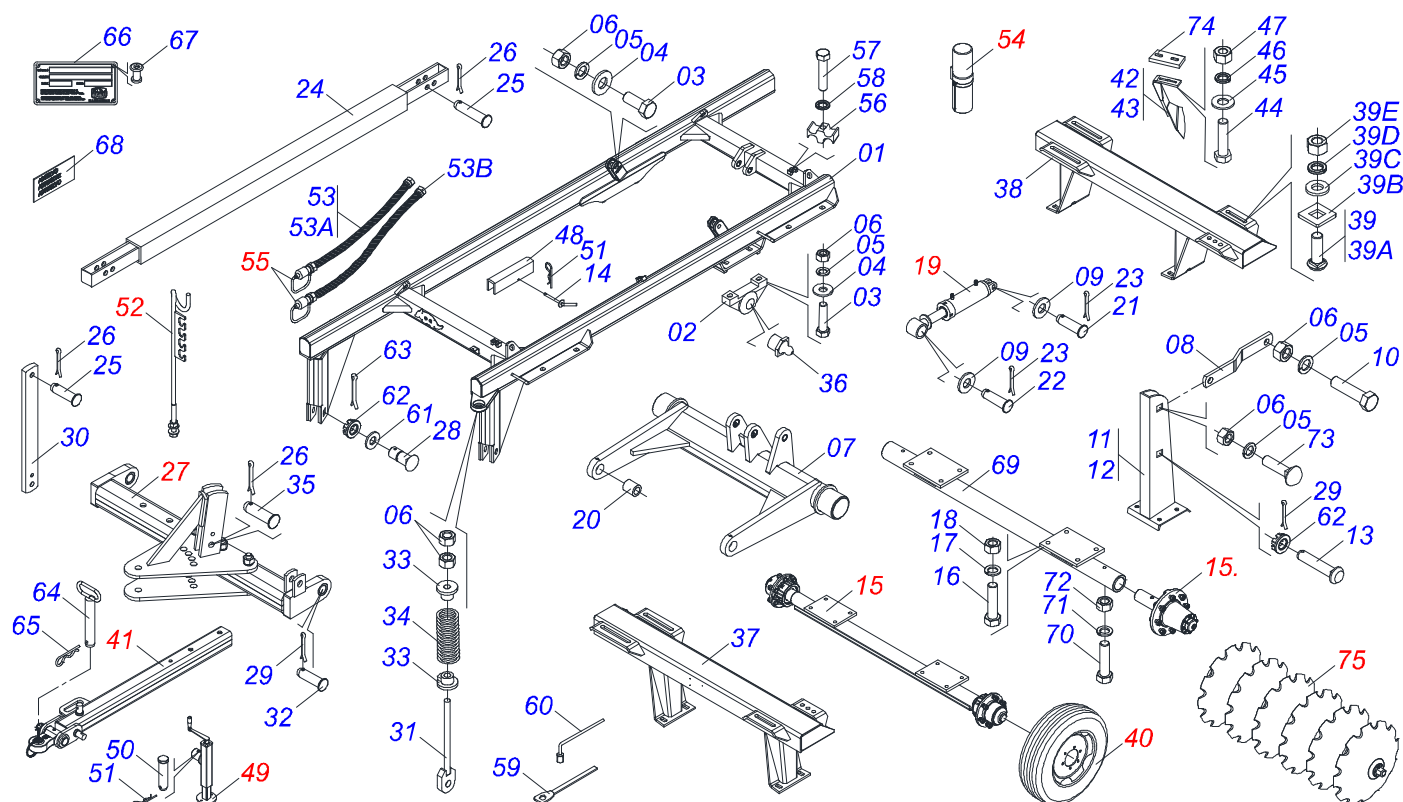


**MARCHESAN**

# INDEX

0909097172	FRAME ASSY	.....	1
0501047937	3" X 73.2" STUB SHAFT & HUB ASSY	.....	2
0501051885	CARRYING-WHEELS	.....	3
0501044309	2.0" X 5" X 20" X 10" HYDRAULIC CYLINDER	.....	4
0511040013	OFFSET BAR ASSY	.....	5
0503060005	29.5" X 0.63"-10L WHEEL WITH TIRE ASSY	.....	6
0511046265	BARRA TRACCION COMPLETA	.....	7
0521048502	TRACTION BAR ASSY	.....	8
0521057520	HITCH ASSY	.....	9
0503062157	DRAWBAR JACK	.....	10
0511048088	DRAWBAR JACK	.....	11
0501040257	3/4" X 38" HOSE SUPPORT ASSY	.....	12
0541053886	MANUAL STORAGE TUBE ASSY	.....	13
0501053834	MALE QUICK COUPLER	.....	14
0909097173	DISC GANG ASSY	.....	15
0531041671	DMO 330 X 2.1/8 BERIANG	.....	16
0531053200	DMO 330 X 2.1/8 IMP BEARING	.....	17

FRAME ASSY



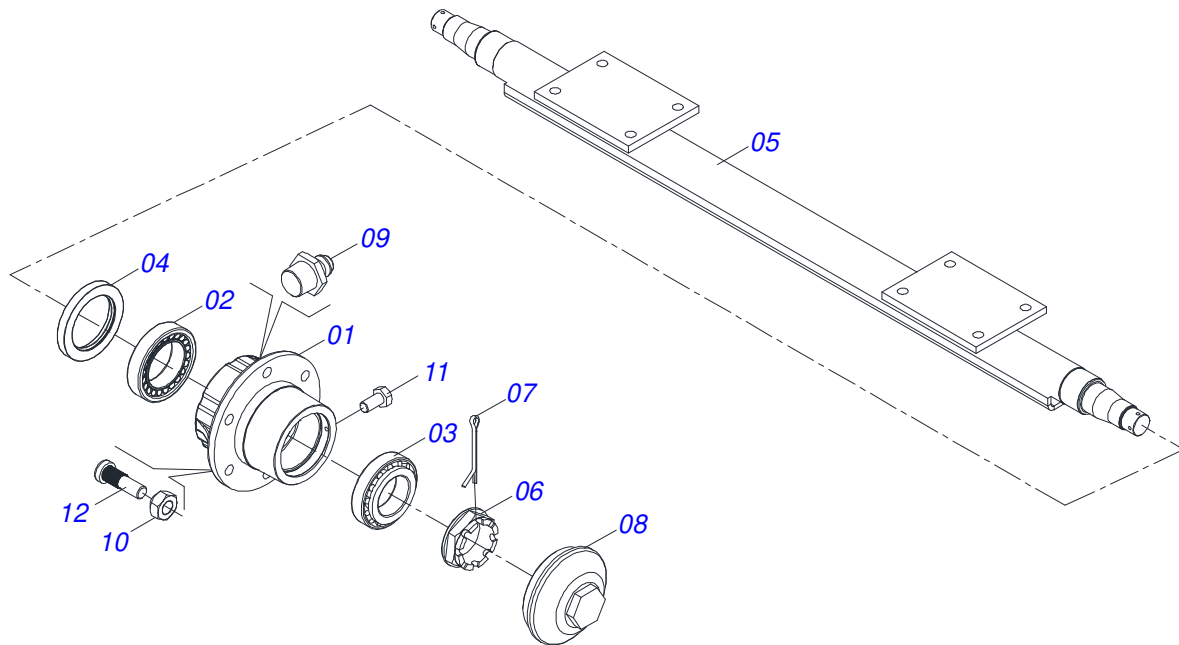
Item	Code	Description	See page	12	14	16
01	0501067011	FRAME		01	01	01
01.	0511068723	FRAME		01	00	00
02	0502010972	ARTICULATION BEARING		02	02	02
03	0503011432	BOLT		04	04	04
04	0501010065	1" SPRING WASHER		04	04	04
05	0503010012	1" SPRING WASHER		20	20	20
06	0501010059	1.5/8 NUT		22	22	22
07	0501068210	CARRYING-WHEELS		01	01	01
08	0501110404	SUPPORT BAR		02	02	02
09	0501017779	FLAT WASHER 32 X 60 X 4,75		02	02	02
10	0503011432	BOLT		02	02	02
11	0501068260	RIGHT SUSPENSION TOWER		01	01	01
12	0501068261	LEFT SUSPENSION TOWER		01	01	01
13	0511018006	1-1/2 X 4.13" U BOLT OF SUSP TOWER		02	02	02
14	0501068994	8,30 X 78 LOCK PIN		01	01	01
15	0501047937	3" X 73.2" STUB SHAFT & HUB ASSY	2	01	01	01
15.	0501051885	CARRYING-WHEELS	3	02	02	02
16	0501010125	3/4" X 2-1/2" BOLT		08	08	08
17	0503010023	3/4" SPRING WASHER		08	08	08
18	0503010014	3/4" ZN G.5 (HEAVY) UNC HEX NUT		08	08	08
19	0501044309	2.0" X 5" X 20" X 10" HYDRAULIC CYLINDER	4	01	01	01
20	0521010737	50,4/50,6X 38,5 X 35 SLEEVE		02	02	02
21	0511810174	COUPLING SHAFT		01	01	01
22	0521010547	1.2" X 6.5" COUPLING SHAFT		01	01	01
23	0503010523	1/4" X 2" SPLIT PIN		02	02	02
24	0501066222	STABILIZER BAR		01	01	01
25	0521010575	C0.9" X 3.3" COUPLING SHAFT		02	02	02
26	0503010571	1/4" X 1.1/2" SPLIT PIN		03	03	03
27	0511040013	OFFSET BAR ASSY	5	01	01	01
28	0521817538	COUPLING SHAFT		02	02	02
29	0503010010	SPLIT PIN 1/4" X 2.1/2"		02	02	02
30	0511012972	STABILIZER BAR TOWER		01	01	01



## FRAME ASSY

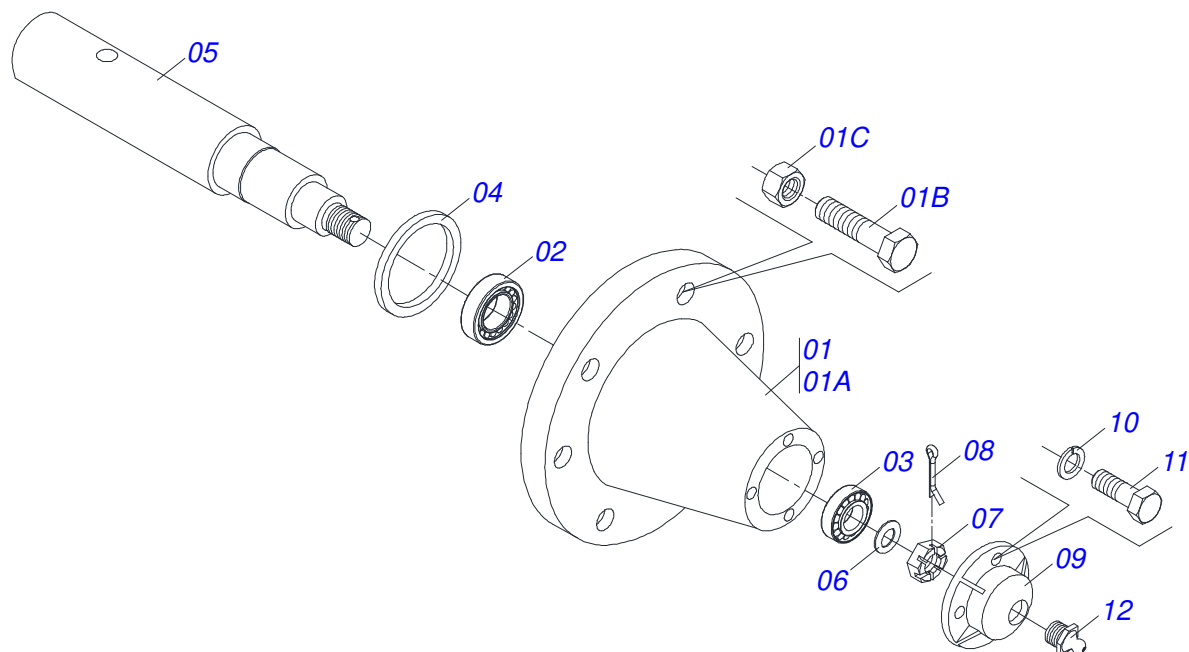
0909097172

Item	Code	Description	See page	12	14	16
31	0501066240	SPRING ROD		01	01	01
32	0521010592	1.1" X 3.1" COUPLING SHAFT		01	01	01
33	0502020392	SPRING SUPPORT		02	02	02
34	0503030441	12.7" X 5.7" X 0.5" SPRING		01	01	01
35	0521010576	0.9" X 3.7" COUPLING SHAFT		01	01	01
36	0503010002	1800 GREASE FITTING		04	04	04
37	0501060476	FRONT FRAME - 12		01	00	00
37.	0501060477	FRONT FRAME - 14		00	01	00
37..	0511068761	FRONT FRAME - 14		00	01	00
37...	0501060487	FRONT FRAME - 16		00	00	01
38	0501060479	REAR FRAME - 12		01	00	00
38.	0501060480	REAR FRAME - 14		00	01	00
38..	0511068762	2365 REAR FRAME - 14		00	01	00
38...	0501060491	REAR FRAME - 16		00	00	01
39	0501040877	C1" X 3-1/4" BOLT ASSY		08	08	08
39A	0501010171	BOLT 1 UNC X 3.1/2 C S G.5		01	01	01
39B	0502012861	1" SQUARE WASHER		01	01	01
39C	0501010065	1" SPRING WASHER		01	01	01
39D	0503010012	1" SPRING WASHER		01	01	01
39E	0501010059	1.5/8 NUT		01	01	01
40	0503060005	29.5" X 0.63"-10L WHEEL WITH TIRE ASSY	6	02	02	04
41	0511046265	BARRA TRACCION COMPLETA	7	01	01	01
41.	0521048502	TRACTION BAR ASSY	8	00	01	00
42	0501060423	FRONT SCRAPER		06	07	08
43	0501060424	REAR SCRAPER		06	07	08
44	0503010233	5/8" X 2-1/2" BOLT		12	14	16
45	0501012140	FLAT WASHER 16,50 X 40 X 4,00 ZN		12	14	16
46	0503010027	5/8 SPRING WASHER		12	14	16
47	0503010013	5/8 UNC G.5 ZN HEX NUT		12	14	16
48	0501066386	TRANSPORT LOCK 9.54"		01	01	01
49	0503062157	DRAWBAR JACK	10	01	01	01
49.	0511048088	DRAWBAR JACK	11	00	01	00
50	0521010549	COUPLING SHAFT		01	01	01
51	0503030168	HITCH PIN CLIP		02	02	02
52	0501040257	3/4" X 38" HOSE SUPPORT ASSY	12	01	01	01
53	0511054699	HOSE ASSY		01	01	01
53A	0501080476	3/8" X 263" TC-TM HOSE		01	01	01
53B	0501080477	3/8" X 276" TC-TM HOSE		01	01	01
54	0541053886	MANUAL STORAGE TUBE ASSY	13	01	01	01
55	0501053834	MALE QUICK COUPLER	14	02	02	02
56	0502012702	BODY SUPPORT CLAMP		03	03	03
57	0503012555	7/16" UNC X 2" CS RT G.7 ZN SCREW		03	03	03
58	0503010180	7/16" SPRING WASHER		03	03	03
59	0501316941	KEY 2.1/8 AND 2.1/2		02	02	02
60	0501061045	1" WRENCH CYLINDRICAL		01	01	01
61	0511019880	FLAT WASHER		02	02	02
62	0501011301	1.1/2" UNC 6FPP 2.5/16" NUT		04	04	04
63	0503010010	SPLIT PIN 1/4" X 2.1/2"		02	02	02
64	0501069080	COUPLING SHAFT		01	01	01
65	0503031035	HITCH PIN CLIP		01	01	01
66	0503034003	61 X 118 SERIAL NUMBER TAG		01	01	01
67	0503010001	RIVET 3,2 X 5,5		04	04	04
68	0503060788	GAPCR DECAL SET		01	01	01
69	0511069068	FIXING SYSTEM		01	01	01
70	0503010706	BOLT 1/2 UNC X 4.1/2 C S G.5 ZN		02	02	02
71	0503010019	1/2" SPRING WASHER		02	02	02
72	0503010060	1/2 UNC G.5 ZN HEX NUT		02	02	02
73	0511017974	1" U BOLT SUSPENSION TOWER		02	02	02
74	0501010299	SCRAPER LOCK		12	14	16
75		DISC GANG ASSY	15			

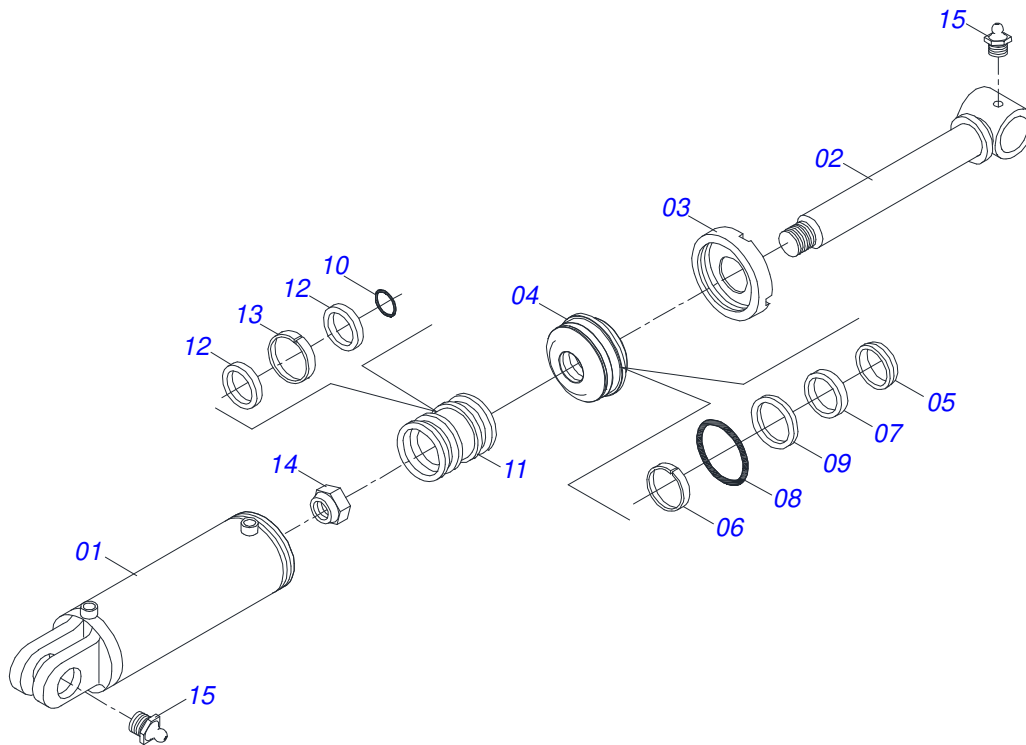


Item	Code	Description	See page	QT
01	0502011389	HUB		02
02	0503010006	32210 ROLLER BEARING		02
03	0503010005	32212 ROLLER BEARING		02
04	0503011866	SEAL 00573-B WITH HOLE		02
05	0501066915	3" X 71" AXLE		01
06	0501010888	1.3/4" 2.5/16" CASTLE NUT		02
07	0503010010	SPLIT PIN 1/4" X 2.1/2"		02
08	0502020593	PROTECTION LID		02
09	0503010002	1800 GREASE FITTING		02
10	0503010064	5/8 UNF CONIC NUT		12
11	0503010295	SCREW 5/16 UNC X 5/8 CS G.2 ZN		02
12	0501010186	WHEEL BOLT 5/8" UNF X 2.1/8CR		12

CARRYING-WHEELS



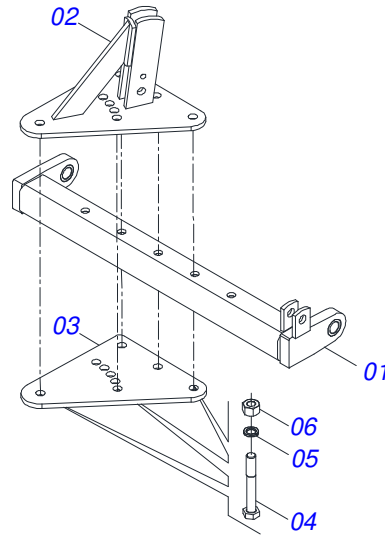
Item	Code	Description	See page	QT
01	0501110738	CARRYING WHEEL HUB 21FT		01
01A	0502012260	TRANSPORT CARRYING-WHEEL HUB		01
01B	0503010064	5/8 UNF CONIC NUT		08
01C	0501010186	WHEEL BOLT 5/8"UNF X 2.1/8CR		08
02	0503011156	2780/2720 IMP ROLLER BEARING		01
03	0503010008	3780/3720 ROLLER BEARING		01
04	0503013314	RETAINER 5166-GB 63,5 X 110 X 13 ARCA		01
05	0511012494	SPINDLE		01
06	0511012492	FLAT WASHER		01
07	0503030009	1" CASTLE NUT		01
08	0503010018	5/32" X 1-1/2" SPLIT PIN		01
09	0502020591	PROTECCION COVER		01
10	0503011444	SPRING WASHER 5/16"		04
11	0503010358	5/16" X 5/8" BOLT		04
12	0503010002	1800 GREASE FITTING		01



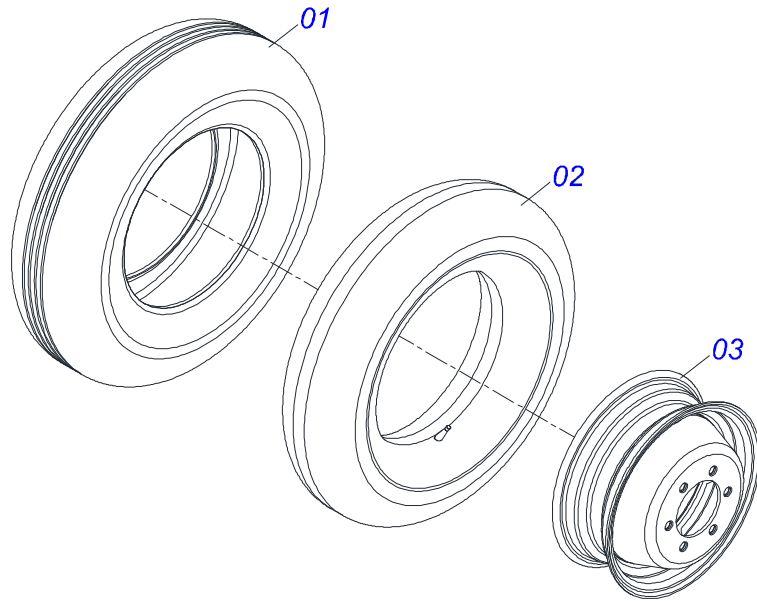
Item	Code	Description	See page	QT
01	0501069075	CYLINDER BARREL 127 X 424		01
02	0501068963	HYDRAULIC CYLINDER TURNBUCKLE		01
03	0502010382	5" END CAP		01
04	0502012227	2" X 5" RING SUPPORT		01
05	0503010039	D-2000 SCRAPER RING		01
06	0503010952	W2-2250-500 RING		01
07	0503010991	1870-2000-375-B GASKET		01
08	0503010351	2-425 N 3006-9B O'RING		01
09	0503011062	8-425 BACK-UP RING		01
10	0503010345	2-218 N 3006-9B O'RING		01
11	0502010963	2.0" X 5.0" PISTON		01
12	0503010552	PACKING 3750-4250-625-B		02
13	0503010974	W2-5000-500 RING		01
14	0503010817	1.1/4" SELF LOCKING NUT		01
15	0503010002	1800 GREASE FITTING		02
16	0501031961	HYDRAULIC CYLINDER REPAIR KIT		01



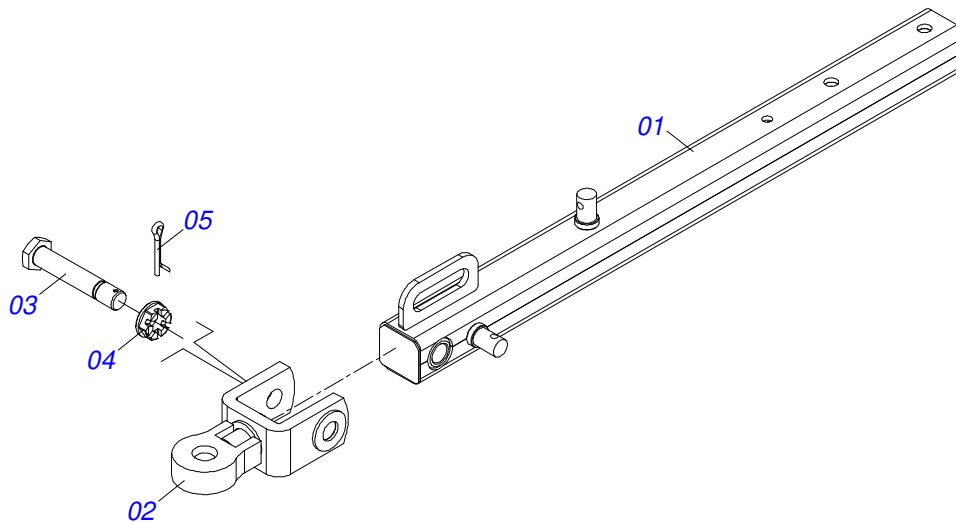
OFFSET BAR ASSY



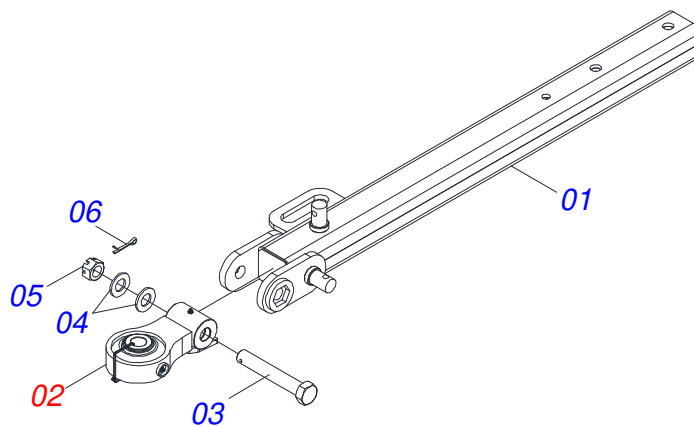
Item	Code	Description	See page	QT
01	0501066223	OFFSET BAR		01
02	0501066235	UPPER PLATE WITH SUPPORT		01
03	0511013000	UPPER /LOWER PLATE		01
04	0501010334	1" X 7" BOLT		05
05	0503011438	SPRING WASHER		05
06	0501010059	1.5/8 NUT		05



Item	Code	Description	See page	QT
01	0503010120	CANVAS TIRE		01
02	0503010033	7.50 X 16 INNER TIRE		01
03	0501061845	0.2"X0.6"X5.1"X6F0.6"X6.8"-D WHEEL		01

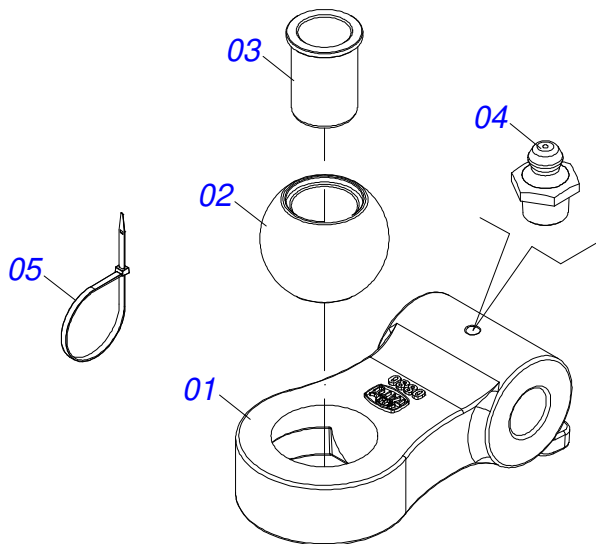


Item	Code	Description	See page	QT
01	0511069081	BAR TRACTION		01
02	0501062869	TRACTOR HITCH		01
03	0501017291	1-1/2" X 8.1" BOLT		01
04	0501011301	1.1/2" UNC 6FPP 2.5/16" NUT		01
05	0503010010	SPLIT PIN 1/4" X 2.1/2"		01



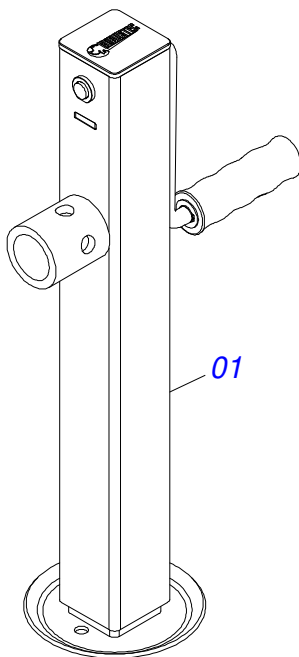
Item	Code	Description	See page	QT
01	0521069165	DRAWBAR		01
02	0521057520	HITCH ASSY	9	01
03	0581015973	1.1/4 UNC X 8 C S G5 SCREW		01
04	0501017779	FLAT WASHER 32 X 60 X 4,75		02
05	0503013026	1.1/4" CASTLE NUT		01
06	0503010010	SPLIT PIN 1/4" X 2.1/2"		01

HITCH ASSY



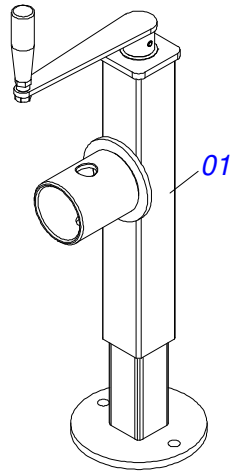
Item	Code	Description	See page	QT
01	0502040880	HITCH BODY		01
02	0502040885	BODY ATTACHMENT		01
03	0591012511	SLEEVE		01
04	0503010002	1800 GREASE FITTING		01
05	0503018829	NYLON CLAMP 7,8 X 1,8 X 390 MM		01

DRAWBAR JACK

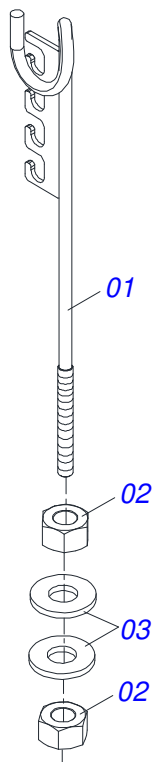


Item	Code	Description	See page	QT
01	0503062157	DRAWBAR JACK	10	01

DRAWBAR JACK

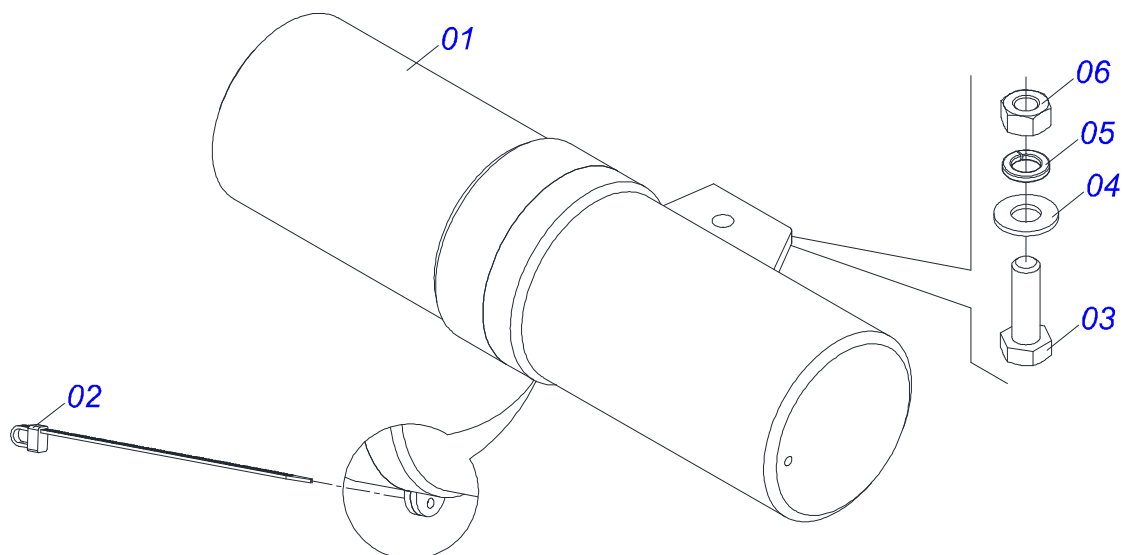


Item	Code	Description	See page	QT
01	0503062227	DRAWBAR JACK		01

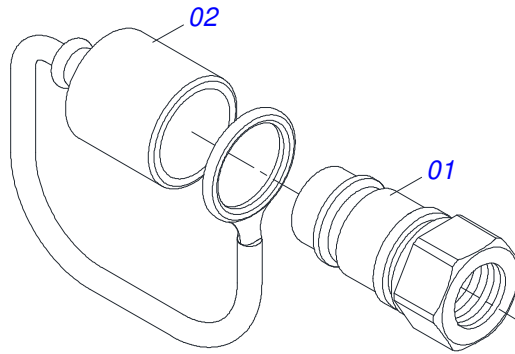


Item	Code	Description	See page	QT
01	0511067334	HOSE SUPPORT		01
02	0503010014	3/4" ZN G.5 (HEAVY) UNC HEX NUT		02
03	0501010322	20,50 X 46 X 4,00 ZN FLAT WASHER		02

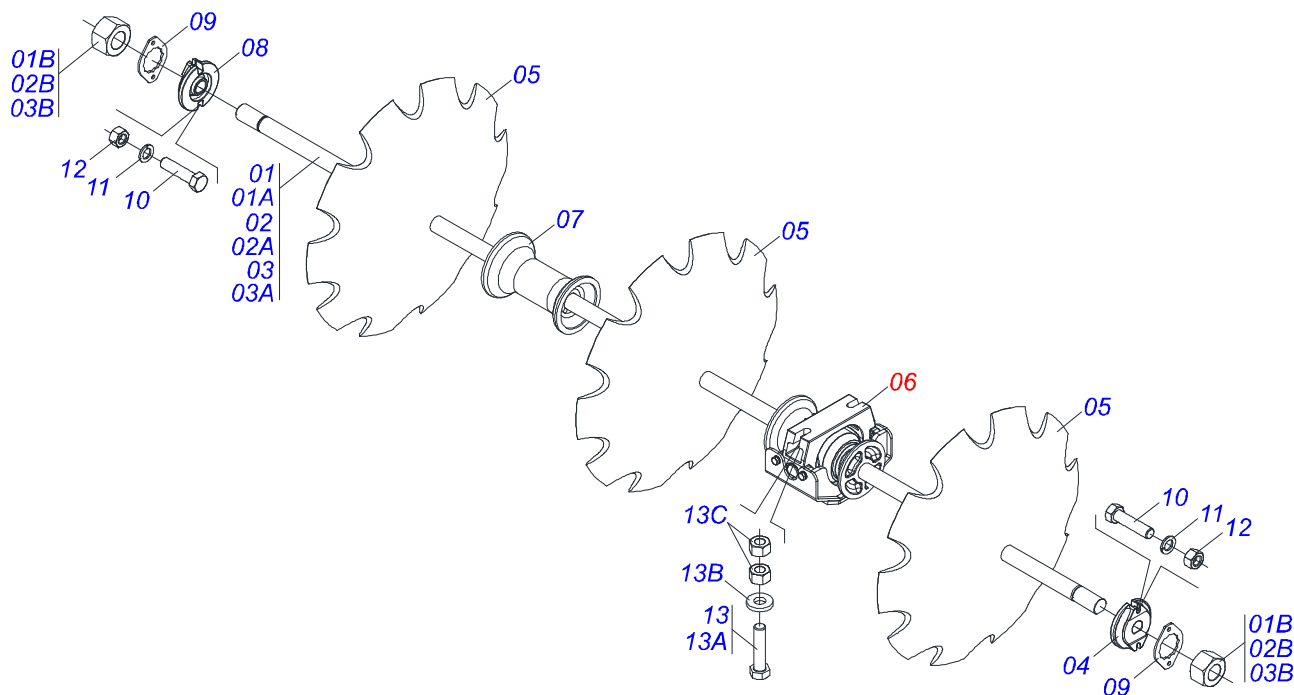




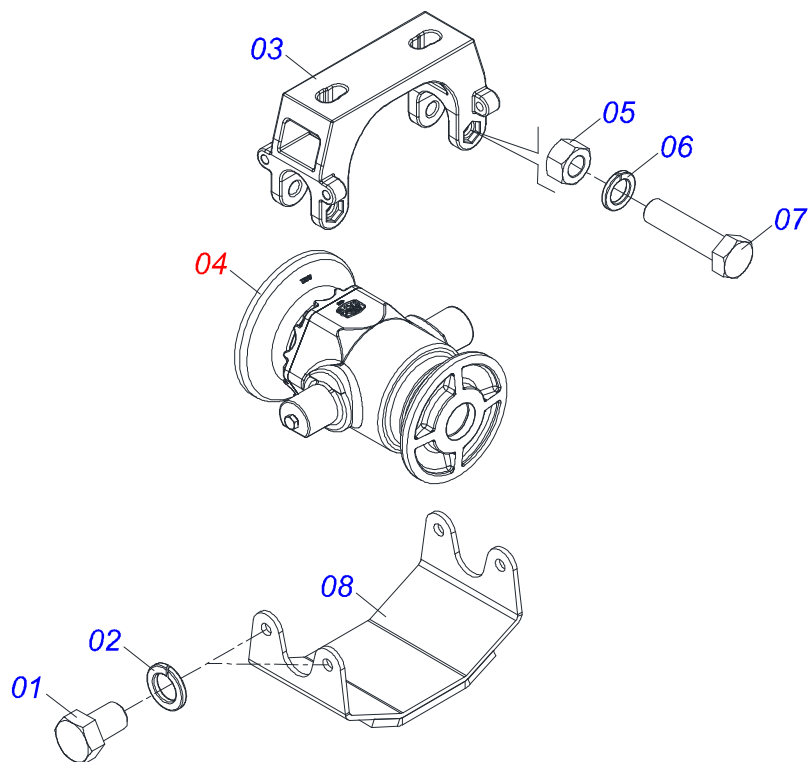
Item	Code	Description	See page	QT
01	0503060100	SUPPORT INSTRUCTION MANUAL		01
02	0503010267	NYLON CLAMP 3,60 X 1,3 X 155 MM		01
03	0503010363	BOLT 5/16 UNC X 1 C S G.2 ZN		01
04	0501010694	FLAT WASHER 32,50 X 75 X 4,75		01
05	0503010179	LOCK WASHER 5/16 ZN 1K01528		01
06	0503010337	NUT 5/16 UNC G.5 ZN		01



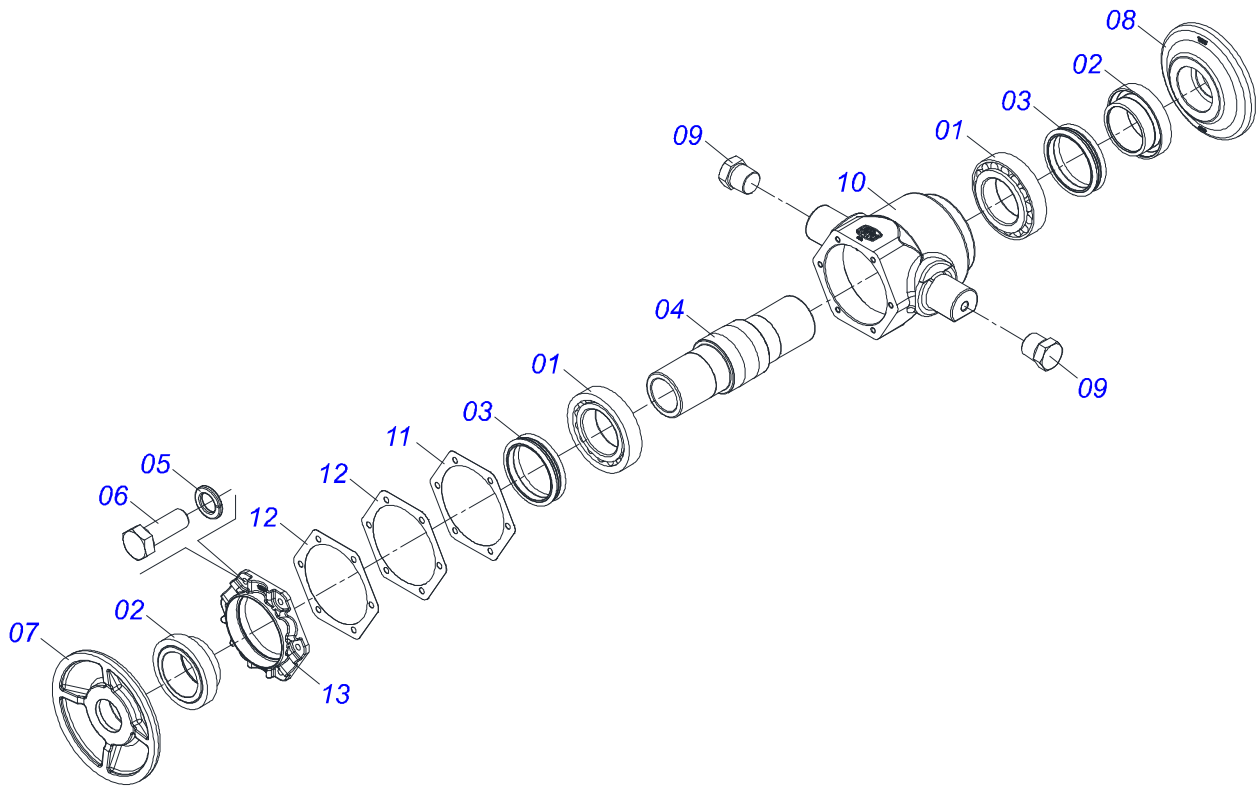
Item	Code	Description	See page	QT
01	0503011627	MALE QUICK COUPLER AGR 1/2 NPT		01
02	0503011882	MALE QUICK COUPLER CAP		01



Item	Code	Description	See page	12	14	16
01	0511042123	2-1/8" X 76" AXLE WITH NUTS		02	00	00
01A	0501013759	2-1/8" X 76" AXLE		01	00	00
01B	0502040063	2-1/8" X 54 99 NUT		02	00	00
02	0501041514	2-1/8" X 8.9" AXLE WITH NUTS		00	02	00
02A	0501013760	2-1/8" X 8.9" AXLE		00	01	00
02B	0502040063	2-1/8" X 54 99 NUT		00	02	00
03	0501041515	2-1/8" X 102" AXLE WITH NUTS		00	00	02
03A	0501013761	2-1/8" X 102" AXLE		00	00	01
03B	0502040063	2-1/8" X 54 99 NUT		00	00	02
04	0502010594	2-1/8" EXTERNAL AXLE WASHER		02	02	02
05	0602044001	DR 32 X 9,00 C115AF04FR2.3/16 10R		12	14	16
06	0531041671	DMO 330 X 2.1/8 BERIANG	16	04	04	06
07	0502010643	13" 2-1/8" SPACER		06	08	08
08	0502010595	2-1/8" INNER AXLE WASHER		02	02	02
09	0541010368	NUT LOCK		04	04	04
10	0503010232	5/8" X 1.3/4" BOLT		08	08	08
11	0503010027	5/8 SPRING WASHER		08	08	08
12	0503010013	5/8 UNC G.5 ZN HEX NUT		08	08	08
13	0531041581	1" X 4" BOLT ASSY		08	08	12
13A	0503011432	BOLT		01	01	01
13B	0541010210	FLAT WASHER		01	01	01
13C	0501010059	1.5/8 NUT		02	02	02

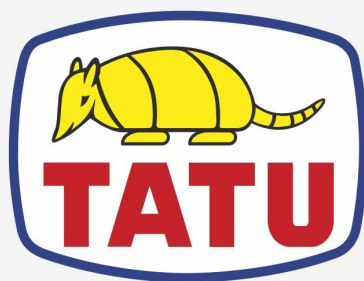


Item	Code	Description	See page	QT
01	0503010834	1/2 X 1 BOLT		04
02	0503010019	1/2" SPRING WASHER		04
03	0502013011	360 OSCILLATING BEARING SUPPORT (CENTRAL)		01
04	0531053200	DMO 330 X 2.1/8 IMP BEARING	17	01
05	0503010013	5/8 UNC G.5 ZN HEX NUT		02
06	0503010027	5/8 SPRING WASHER		02
07	0503010480	5/8" X 4.3/4" BOLT		02
08	0501210530	SWING BEARING COVER		01



Item	Code	Description	See page	QT
01	0503010117	32216 ROLLER BEARING		02
02	0502040123	MRO - 330 PORT RETAINER WITH BUSH		02
03	0503030028	JB-257 SEAL		02
04	0502040034	BEARING AXLE		01
05	0503011443	SPRING WASHER 3/8"		06
06	0503010751	C3/8" X 1.1/4" HEX BOLT G.5		06
07	0502040260	OUTER FLANGE		01
08	0502040261	INNER FLANGE		01
09	0503010856	OIL PLUG R 3/8 BSPT		02
10	0502013012	2.1/8" BEARING HUB		01
11	0503034044	JOINT		01
12	0503034045	JOINT		02
13	0502012772	BEARING COVER		01





**MARCHESAN**

**Technical Publications | Elaboration and Revision**

ALESSANDRA PATRICIA KAWAHARA CARRILI

[www.marchesan.com.br](http://www.marchesan.com.br)

