

OFFSET DISK HARROW

GAPCR 10/12/14/16/18/20/24/28/30D - 2.1/8" AXLE
GAPCR 10/12/14/16/18/20/24/28/30D - EIXO 2.1/8"

Code: 0501093710
Series: S-0923
Revision: 00
Revision Date: DECEMBER/2023

PARTS CATALOGUE



MARCHESAN



PRODUCTS

Code	Working Width	Description
0102060427		GAPCR 10 X 28 X 7,50 DR DMO E 2.1/8 S-0923
0102060426		GAPCR 10 X 30 X 7,50 DR DMO E 2.1/8 S-0923
0102060429		GAPCR 10 X 32 X 9,00 DR DMO E 2.1/8 S-0923
0102060428		GAPCR 10 X 34 X 9,00 DR DMO E 2.1/8 S-0923
0102060431C		GAPCR 12 X 28 X 7,50 DR DMO E 2.1/8 EXP S-0923
0102060431		GAPCR 12 X 28 X 7,50 DR DMO E 2.1/8 S-0923
0102060416		GAPCR 12 X 28 X 7,50 DR DMO E 2.1/8 TERR S-0923
0102060430		GAPCR 12 X 30 X 7,50 DR DMO E 2.1/8 S-0923
0102060415		GAPCR 12 X 30 X 7,50 DR DMO E 2.1/8 TERR S-0923
0102060436		GAPCR 12 X 32 X 12,00 DR DMO E 2.1/8 S-0923
0102060434		GAPCR 12 X 32 X 12,00 DR DMO E 2.1/8 S/PN S-0923
0102060437C		GAPCR 12 X 32 X 9,00 DR DMO E 2.1/8 EXP S-0923
0102060433		GAPCR 12 X 32 X 9,00 DR DMO E 2.1/8 PN11L15 S-0923
0102060437		GAPCR 12 X 32 X 9,00 DR DMO E 2.1/8 S-0923
0102060386		GAPCR 12 X 32 X 9,00 DR DMO E 2.1/8 S-0923
0102060432		GAPCR 12 X 34 X 9,00 DR DMO E 2.1/8 PN11L15 S-0923
0102060435		GAPCR 12 X 34 X 9,00 DR DMO E 2.1/8 S-0923
0102060439		GAPCR 14 X 28 X 7,50 DR DMO E 2.1/8 S-0923
0102060418		GAPCR 14 X 28 X 7,50 DR DMO E 2.1/8 TERR S-0923
0102060446		GAPCR 14 X 28 X 9,00 DR DMO E 2.1/8 S-0923
0102060440		GAPCR 14 X 30 X 7,50 DR DMO E 2.1/8 PN11L15 S-0923
0102060438		GAPCR 14 X 30 X 7,50 DR DMO E 2.1/8 S-0923
0102060417		GAPCR 14 X 30 X 7,50 DR DMO E 2.1/8 TERR S-0923
0102060445		GAPCR 14 X 32 X 12,00 DR DMO E 2.1/8 S-0923
0102060441		GAPCR 14 X 32 X 12,00 DR DMO E 2.1/8 S/PN/SIST RODG S-0923
0102060442		GAPCR 14 X 32 X 7,50 DR DMO E 2.1/8 S-0923
0102060448C		GAPCR 14 X 32 X 9,00 DR DMO E 2.1/8 EXP S-0923
0102060444		GAPCR 14 X 32 X 9,00 DR DMO E 2.1/8 PN11L15 S-0923
0102060448		GAPCR 14 X 32 X 9,00 DR DMO E 2.1/8 S-0923
0102060447C		GAPCR 14 X 34 X 9,00 DR DMO E 2.1/8 EXP S-0923

ATTENTION: IMPORTANT

Marchesan S.A. reserves the right to improve and/or modify the technical features of its products, without obligation to do the same with those products already sold and without prior knowledge of the dealer or the customer. The photos are only illustrative.



PRODUCTS

0102060443	GAPCR 14 X 34 X 9,00 DR DMO E 2.1/8 PN11L15 S-0923
0102060447	GAPCR 14 X 34 X 9,00 DR DMO E 2.1/8 S-0923
0102060451	GAPCR 16 X 28 X 7,50 DR DMO E 2.1/8 S-0923
0102060420	GAPCR 16 X 28 X 7,50 DR DMO E 2.1/8 TERR S-0923
0102060425	GAPCR 16 X 30 X 7,50 DR DMO E 2.1/8 PN11L15 S-0923
0102060449	GAPCR 16 X 30 X 7,50 DR DMO E 2.1/8 PN11L15 S-0923
0102060450	GAPCR 16 X 30 X 7,50 DR DMO E 2.1/8 S-0923
0102060419	GAPCR 16 X 30 X 7,50 DR DMO E 2.1/8 TERR S-0923
0102060455	GAPCR 16 X 30 X 9,00 DR DMO E 2.1/8 S-0923
0102060456	GAPCR 16 X 32 X 12,00 DR DMO E 2.1/8 S-0923
0102060454	GAPCR 16 X 32 X 8,00 DR DMO E 2.1/8 S-0923
0102060459C	GAPCR 16 X 32 X 9,00 DR DMO E 2.1/8 EXP S-0923
0102060458C	GAPCR 16 X 32 X 9,00 DR DMO E 2.1/8 PN11L15 EXP S-0923
0102060458	GAPCR 16 X 32 X 9,00 DR DMO E 2.1/8 PN11L15 S-0923
0102060459	GAPCR 16 X 32 X 9,00 DR DMO E 2.1/8 S-0923
0102060453	GAPCR 16 X 34 X 12,00 DR DMO E 2.1/8 S-0923
0102060452	GAPCR 16 X 34 X 9,00 DR DMO E 2.1/8 PN11L15 S-0923
0102060457	GAPCR 16 X 34 X 9,00 DR DMO E 2.1/8 S-0923
0102060390	GAPCR 18 X 28 X 7,50 DR DMO E 2.1/8 S-0923
0102060471C	GAPCR 18 X 30 X 7,50 DR DMO E 2.1/8 ESP EXP S-0923
0102060471	GAPCR 18 X 30 X 7,50 DR DMO E 2.1/8 ESP S-0923
0102060391	GAPCR 18 X 30 X 7,50 DR DMO E 2.1/8 S-0923
0102060389	GAPCR 18 X 32 X 12,00 DR DMO E 2.1/8 S-0923
0102060470	GAPCR 18 X 32 X 9,00 DR DMO E 2.1/8 ESP S-0923
0102060392C	GAPCR 18 X 32 X 9,00 DR DMO E 2.1/8 EXP S-0923
0102060388	GAPCR 18 X 32 X 9,00 DR DMO E 2.1/8 PN400/60 S-0923
0102060392	GAPCR 18 X 32 X 9,00 DR DMO E 2.1/8 S-0923
0102060468	GAPCR 18 X 34 X 12,00 DR DMO E 2.1/8 ESP S-0923
0102060469	GAPCR 18 X 34 X 9,00 DR DMO E 2.1/8 ESP S-0923
0102060393C	GAPCR 18 X 34 X 9,00 DR DMO E 2.1/8 EXP S-0923
0102060393	GAPCR 18 X 34 X 9,00 DR DMO E 2.1/8 S-0923

ATTENTION: IMPORTANT

Marchesan S.A. reserves the right to improve and/or modify the technical features of its products, without obligation to do the same with those products already sold and without prior knowledge of the dealer or the customer. The photos are only illustrative.



PRODUCTS

0102060410	GAPCR 20 X 28 X 7,50 DR DMO E 2.1/8 S-0923
0102060411	GAPCR 20 X 30 X 7,50 DR DMO E 2.1/8 S-0923
0102060413C	GAPCR 20 X 32 X 12,00 DR DMO E 2.1/8 EXP S-0923
0102060413	GAPCR 20 X 32 X 12,00 DR DMO E 2.1/8 S-0923
0102060414C	GAPCR 20 X 32 X 9,00 DR DMO E 2.1/8 EXP S-0923
0102060409	GAPCR 20 X 32 X 9,00 DR DMO E 2.1/8 PN400/60 S-0923
0102060414	GAPCR 20 X 32 X 9,00 DR DMO E 2.1/8 S-0923
0102060412	GAPCR 20 X 34 X 9,00 DR DMO E 2.1/8 S-0923
0102060398	GAPCR 24 X 28 X 7,50 DR DMO E 2.1/8 S-0923
0102060399	GAPCR 24 X 30 X 7,50 DR DMO E 2.1/8 S-0923
0102060397	GAPCR 24 X 30 X 9,00 DR DMO E 2.1/8 S-0923
0102060402C	GAPCR 24 X 32 X 12,00 DR DMO E 2.1/8 EXP S-0923
0102060402	GAPCR 24 X 32 X 12,00 DR DMO E 2.1/8 S-0923
0102060401C	GAPCR 24 X 32 X 9,00 DR DMO E 2.1/8 EXP S-0923
0102060395	GAPCR 24 X 32 X 9,00 DR DMO E 2.1/8 PN400/60 S-0923
0102060401	GAPCR 24 X 32 X 9,00 DR DMO E 2.1/8 S-0923
0102060387	GAPCR 24 X 32 X 9,00 DR DMO E 2.1/8 S-0923
0102060383	GAPCR 24 X 32 X 9,00 DR DMO E 2.1/8 S-0923
0102060384	GAPCR 24 X 32 X 9,00 DR DMO E 2.1/8 S/PN S-0923
0102060396	GAPCR 24 X 32 X 9,00 DR DMO E 2.1/8 S/ROD/PN S-0923
0102060394	GAPCR 24 X 34 X 9,00 DR DMO E 2.1/8 PN400/60 S-0923
0102060400	GAPCR 24 X 34 X 9,00 DR DMO E 2.1/8 S-0923
0102060462	GAPCR 28 X 28 X 7,50 DR DMO E 2.1/8 S-0923
0102060466	GAPCR 28 X 30 X 7,50 DR DMO E 2.1/8 S-0923
0102060461	GAPCR 28 X 32 X 12,00 DR DMO E 2.1/8 PN400/60 S-0923
0102060460	GAPCR 28 X 32 X 12,00 DR DMO E 2.1/8 S-0923
0102060465	GAPCR 28 X 32 X 12,00 DR DMO E 2.1/8 S/PN S-0923
0102060467	GAPCR 28 X 32 X 9,00 DR DMO E 2.1/8 PN400/60 S-0923
0102060463	GAPCR 28 X 32 X 9,00 DR DMO E 2.1/8 S-0923
0102060467C	GAPCR 28 X 32 X 9,00 DR DMO E 2.1/8 PN400/60 EXP S-0923
0102060403	GAPCR 28 X 34 X 9,00 DR DMO E 2.1/8 ESP S-0923

ATTENTION: IMPORTANT

Marchesan S.A. reserves the right to improve and/or modify the technical features of its products, without obligation to do the same with those products already sold and without prior knowledge of the dealer or the customer. The photos are only illustrative.



PRODUCTS

0102060464	GAPCR 28 X 34 X 9,00 DR DMO E 2.1/8 S-0923
0102060406	GAPCR 30 X 28 X 7,50 DR DMO E 2.1/8 S-0923
0102060408	GAPCR 30 X 30 X 7,50 DR DMO E 2.1/8 S-0923
0102060421	GAPCR 30 X 30 X 7,50 DR DMO E 2.1/8 TERR S-0923
0102060404	GAPCR 30 X 32 X 9,00 DR DMO E 2.1/8 PN400/60 S-0923
0102060407	GAPCR 30 X 32 X 9,00 DR DMO E 2.1/8 S-0923
0102060405	GAPCR 30 X 34 X 9,00 DR DMO E 2.1/8 S-0923

ATTENTION: IMPORTANT

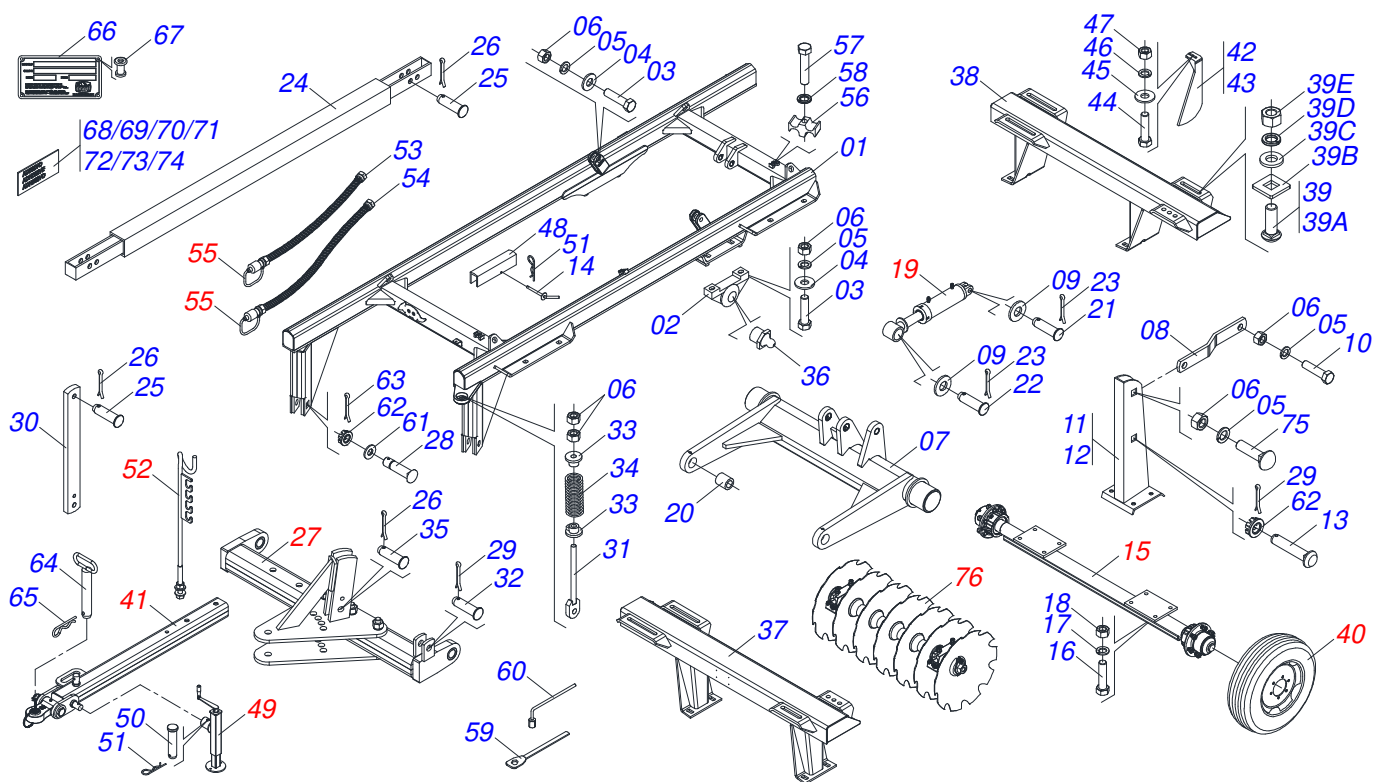
Marchesan S.A. reserves the right to improve and/or modify the technical features of its products, without obligation to do the same with those products already sold and without prior knowledge of the dealer or the customer. The photos are only illustrative.



MARCHESAN

INDEX

0909097011	FRAME ASSY - 10/12/14/16D	1
0501047937	3" X 73.2" STUB SHAFT & HUB ASSY	2
0501044309	2.0" X 5" X 20" X 10" HYDRAULIC CYLINDER	3
0511040013	OFFSET BAR ASSY	4
0503060005	29.5"X0.63"-10L WHEEL WITH TIRE ASSY	5
0503061869	WHEEL AND TIRE ASSY	6
0503061864	WHEEL SET	7
0521048502	TRACTION BAR ASSY	8
0521057520	HITCH ASSY	9
0503062157	DRAWBAR JACK	10
0501040257	3/4" X 38" HOSE SUPPORT ASSY	11
0501053834	MALE QUICK COUPLER	12
0909097013	FRAME ASSY - 18/20/24/28/30D	13
0503060213	WHEEL WITH TIRE 35.4" X 0.80" / 14 CANVAS	14
0501047809	3" X 85"STUB SHAFT & HUB ASSY	15
0511059181	HYDRAULIC CYLINDER 50,80 X 101,60 X 515 X 248	16
0511041570	DRAWBAR ASSY 3"	17
0511048088	DRAWBAR JACK	18
0909097012	DISC GANG - 10/12/14/16D	19
0909097014	DISC GANG - 18/20/24/28/30D	20
0531041671	DMO 330 X 2.1/8 BERIANG	21
0531053200	DMO 330 X 2.1/8 IMP BEARING	22



Item	Code	Description	See page	10	12	14	16
01	0501067011	CENTER FRAME		01	01	01	01
02	0502010972	ARTICULATION BEARING		02	02	02	02
03	0503011432	BOLT		04	04	04	04
04	0501010065	1" SPRING WASHER		04	04	04	04
05	0503011438	SPRING WASHER		08	08	08	08
06	0501010059	1.5/8 NUT		10	10	10	10
07	0501068210	CARRYING-WHEELS		01	01	01	01
08	0501110404	SUPPORT BAR		02	02	02	02
09	0501017779	FLAT WASHER 32 X 60 X 4,75		02	02	02	02
10	0503011432	BOLT		02	02	02	02
11	0501068260	RIGHT SUSPENSION TOWER		01	01	01	01
12	0501068261	LEFT SUSPENSION TOWER		01	01	01	01
13	0511018006	1-1/2 X 4.13" U BOLT OF SUSP TOWER		02	02	02	02
14	0501068994	8,30 X 78 LOCK PIN		01	01	01	01
15	0501047937	3" X 73.2" STUB SHAFT & HUB ASSY	2	01	01	01	01
16	0501010125	3/4" X 2-1/2" BOLT		08	08	08	08
17	0503010023	3/4" SPRING WASHER		08	08	08	08
18	0503010014	3/4" ZN G.5 (HEAVY) UNC HEX NUT		08	08	08	08
19	0501044309	2.0" X 5" X 20" X 10" HYDRAULIC CYLINDER	3	01	01	01	01
20	0521010737	50,4/50,6X 38,5 X 35 SLEEVE		02	02	02	02
21	0511810174	COUPLING SHAFT		01	01	01	01
22	0521010547	1.2" X 6.5" COUPLING SHAFT		01	01	01	01
23	0503010523	1/4" X 2" SPLIT PIN		02	02	02	02
24	0501066222	STABILIZER BAR		01	01	01	01
25	0521010575	C0.9" X 3.3" COUPLING SHAFT		02	02	02	02
26	0503010571	1/4" X 1.1/2" SPLIT PIN		03	03	03	03
27	0511040013	OFFSET BAR ASSY	4	01	01	01	01
28	0551013708	COUPLING SHAFT		02	02	02	02
29	0503010010	SPLIT PIN 1/4" X 2.1/2"		02	02	02	02
30	0511012972	STABILIZER BAR TOWER		01	01	01	01



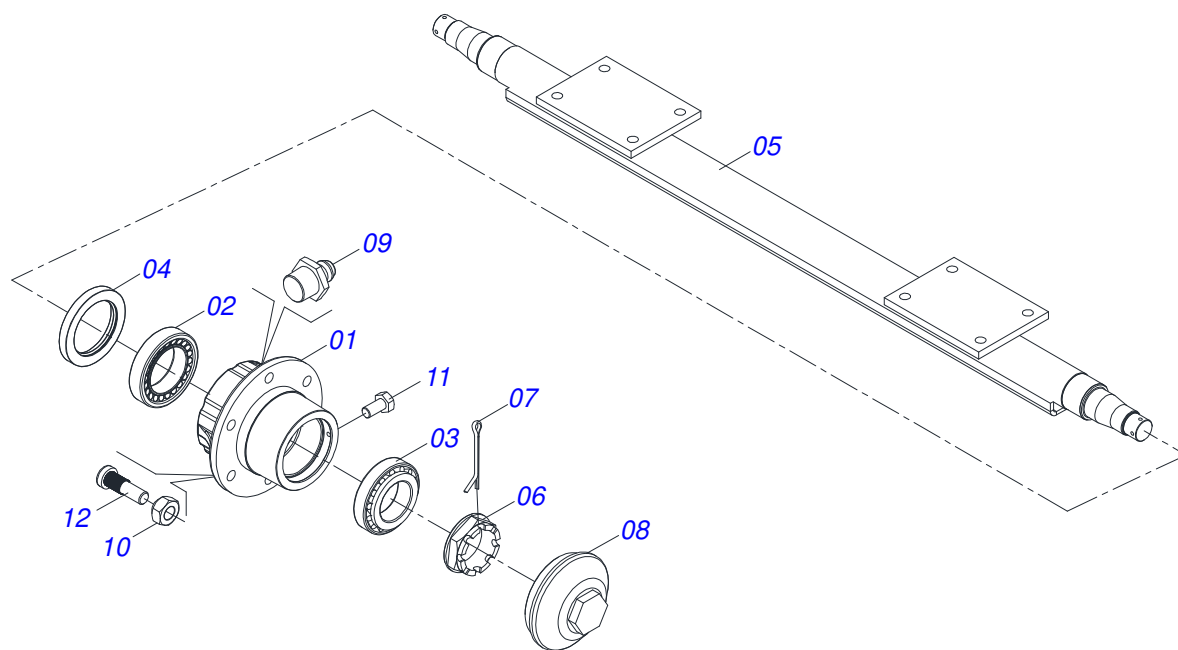
FRAME ASSY - 10/12/14/16D

0909097011

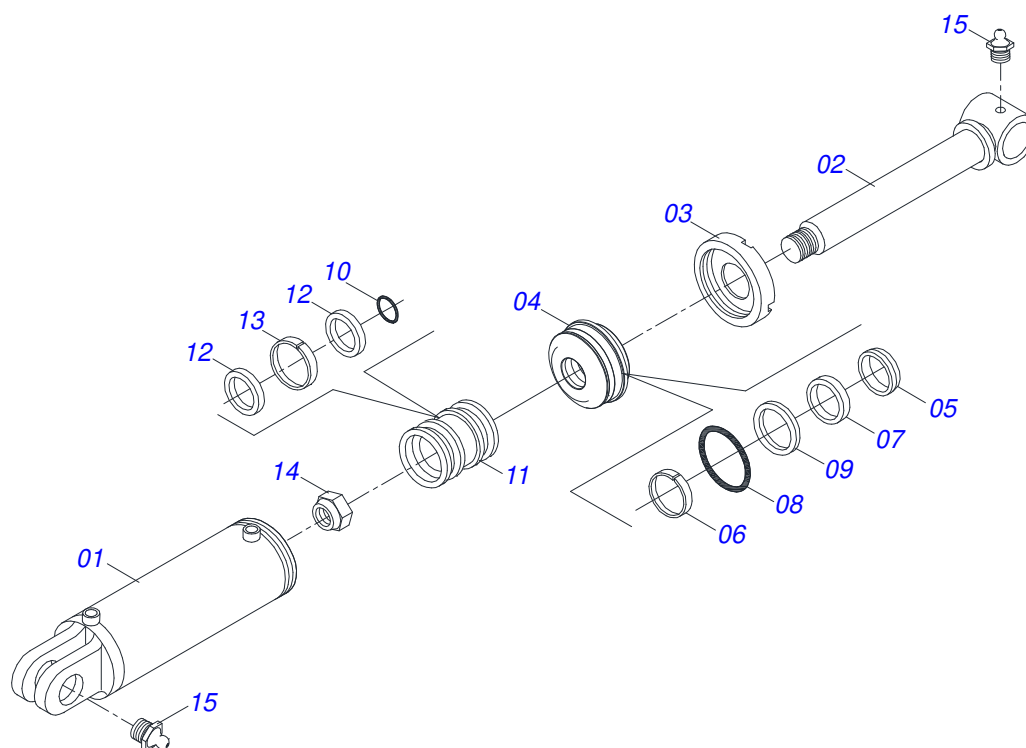
Item	Code	Description	See page	10	12	14	16
31	0501066240	SPRING ROD		01	01	01	01
32	0521010592	1.1" X 3.1" COUPLING SHAFT		01	01	01	01
33	0502020392	SPRING SUPPORT		02	02	02	02
34	0503030441	12.7" X 5.7" X 0.5"SPRING		01	01	01	01
35	0521010576	0.9" X 3.7" COUPLING SHAFT		01	01	01	01
36	0503010002	1800 GREASE FITTING		04	04	04	04
37	0501060475	FRONT FRAME - 10		01	00	00	00
37.	0501060476	FRONT FRAME - 12		00	01	00	00
37..	0501060477	FRONT FRAME - 14		00	00	01	00
37...	0501060487	FRONT FRAME - 16		00	00	00	01
38	0501060478	REAR FRAME - 10		01	00	00	00
38.	0501060479	REAR FRAME - 12		00	01	00	00
38..	0501060480	REAR FRAME - 14		00	00	01	00
38...	0501060491	REAR FRAME - 16		00	00	00	01
39	0501040877	C1" X 3-1/4" BOLT ASSY		08	08	08	08
39A	0501010171	BOLT 1 UNC X 3.1/2 C S G.5		08	08	08	08
39B	0502012861	1" SQUARE WASHER		08	08	08	08
39C	0501010065	1" SPRING WASHER		08	08	08	08
39D	0503010012	1" SPRING WASHER		08	08	08	08
39E	0501010059	1.5/8 NUT		08	08	08	08
40	0503060005	29.5"X0.63"-10L WHEEL WITH TIRE ASSY	5	02	02	02	02
40.	0503061869	WHEEL AND TIRE ASSY	6	00	02	02	02
40..	0503061864	WHEEL SET	7	00	00	00	02
41	0521048502	TRACTION BAR ASSY	8	01	01	01	01
42	0501060423	FRONT SCRAPER		05	06	07	08
43	0501060424	REAR SCRAPER		05	06	07	08
44	0503010233	5/8" X 2-1/2" BOLT		10	12	14	16
45	0501012140	FLAT WASHER 16,50 X 40 X 4,00 ZN		10	12	14	16
46	0503010027	5/8 SPRING WASHER		10	12	14	16
47	0503010013	5/8" UNC G.5 ZN HEX NUT		10	12	14	16
48	0501066386	TRANSPORT LOCK 9.54"		01	01	01	01
49	0503062157	DRAWBAR JACK	10	01	01	01	01
50	0521010549	COUPLING SHAFT		01	01	01	01
51	0503030168	HITCH PIN CLIP		02	02	02	02
52	0501040257	3/4" X 38" HOSE SUPPORT ASSY	11	01	01	01	01
53	0501080476	3/8" X 26" TC-TM HOSE		01	01	01	01
54	0501080477	3/8" X 276.06" TC-TM HOSE		01	01	01	01
55	0501053834	MALE QUICK COUPLER	12	02	02	02	02
56	0502012702	BODY SUPPORT CLAMP		03	03	03	03
57	0503012555	SCREW 7/16 UNC X 2 CS RT G.7 ZN		03	03	03	03
58	0503010180	7/16" SPRING WASHER		03	03	03	03
59	0501316941	KEY 2.1/8 AND 2.1/2		02	02	02	02
60	0501061045	1" WRENCH CYLINDRICAL		01	01	01	01
61	0511019880	FLAT WASHER		02	02	02	02
62	0501011301	1.1/2" UNC 6FPP 2.5/16" NUT		04	04	04	04
63	0503010010	SPLIT PIN 1/4" X 2.1/2"		02	02	02	02
64	0501069080	COUPLING SHAFT		01	01	01	01
65	0503031035	HITCH PIN CLIP		01	01	01	01
66	0503034003	61 X 118 SERIAL NUMBER TAG		01	01	01	01
67	0503010001	RIVET 3,2 X 5,5		04	04	04	04
68	0503060788	GAPCR DECAL SET		01	01	01	01
69	0503034078	LIFTING POINTS DECAL		01	01	01	01
70	0503031738	WARNING DECAL		01	01	01	01
71	0503031739	DANGER DECAL		01	01	01	01
72	0503031428	READ MANUAL DECAL		01	01	01	01
73	0503031827	LUBRICATE AND RETIGHTEN DAILY DECAL		01	01	01	01
74	0503031087	AUTO CONTROL APPROVED DECAL		01	01	01	01



Item	Code	Description	See page	10	12	14	16
75	0511017974	1" U BOLT SUSPENSION TOWER		02	02	02	02
76		DISC GANG - 10/12/14/16D	19				

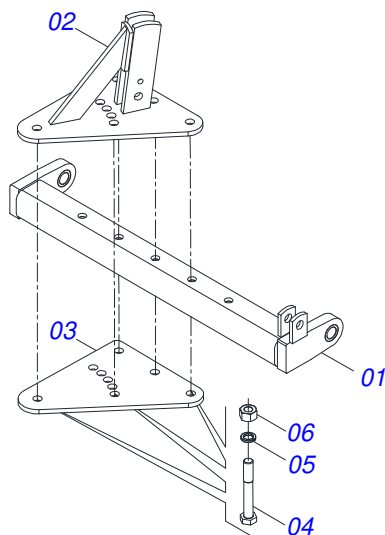


Item	Code	Description	See page	QT
01	0502011389	BOX		02
02	0503010006	32210 ROLLER BEARING		02
03	0503010005	32212 ROLLER BEARING		02
04	0503011866	SEAL 00573-B WITH HOLE		02
05	0501066915	3" X 71" AXLE		01
06	0501010888	1.3/4" 2.5/16" CASTLE NUT		02
07	0503010010	SPLIT PIN 1/4" X 2.1/2"		02
08	0502020593	COVER		02
09	0503010002	1800 GREASE FITTING		02
10	0503010064	5/8 UNF CONIC NUT		12
11	0503010295	SCREW 5/16 UNC X 5/8 CS G.2 ZN		02
12	0501010186	WHEEL BOLT 5/8"UNF X 2.1/8CR		12

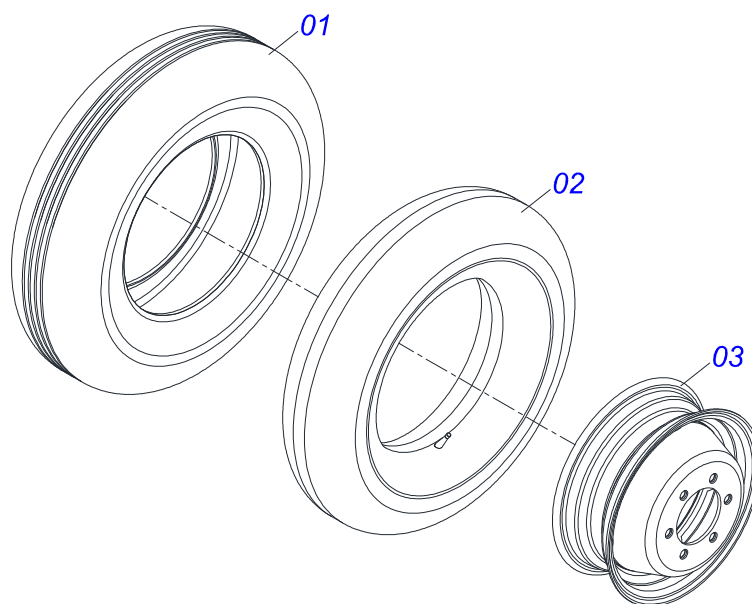


Item	Code	Description	See page	QT
01	0501069075	BODY 127 X 424		01
02	0501068963	HYDRAULIC CYLINDER TURNBUCKLE		01
03	0502010382	5" END CAP		01
04	0502012227	2" X 5" RING SUPPORT		01
05	0503010039	D-2000 SCRAPER RING		01
06	0503010952	W2-2250-500 RING		01
07	0503010991	1870-2000-375-B GASKET		01
08	0503010351	2-425 N 3006-9B O'RING		01
09	0503011062	8-425 BACK-UP RING		01
10	0503010345	2-218 N 3006-9B O'RING		01
11	0502010963	2.0" X 5.0" PISTON		01
12	0503010552	PACKING 3750-4250-625-B		02
13	0503010974	W2-5000-500 RING		01
14	0503010817	SELF LOCKING NUT 1.1/4 UNF ALTA G.5 ZN		01
15	0503010002	1800 GREASE FITTING		02
16	0501031961	HYDRAULIC CYLINDER REPAIR KIT		01

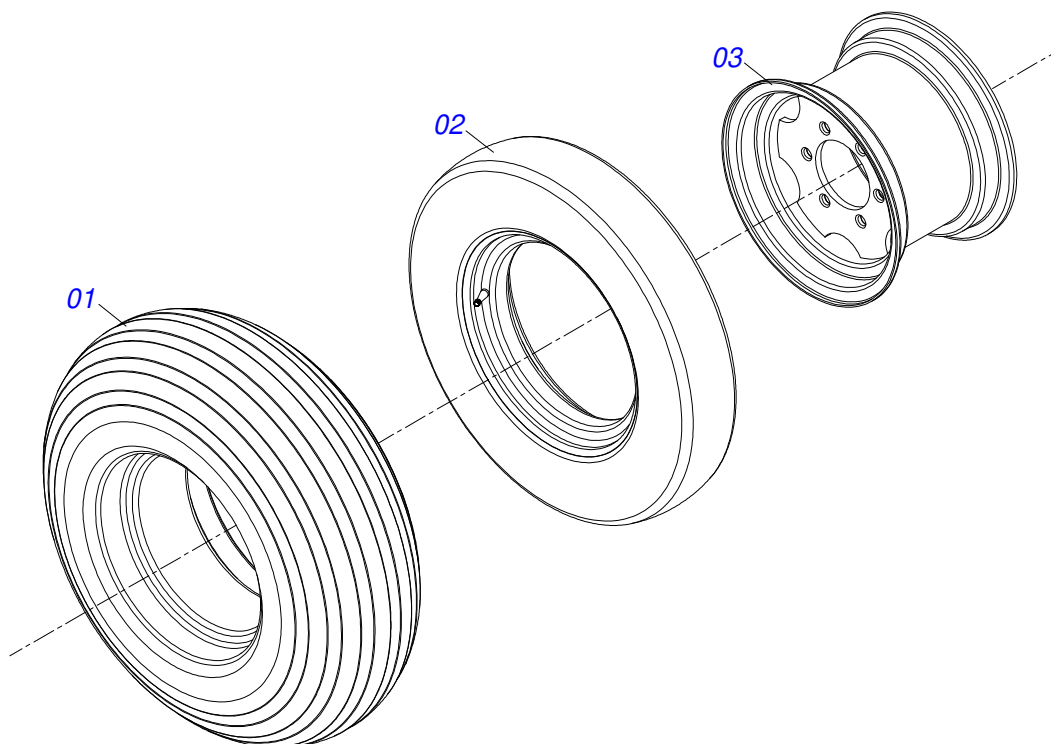
OFFSET BAR ASSY



Item	Code	Description	See page	QT
01	0501066223	OFFSET BAR		01
02	0501066235	UPPER PLATE WITH SUPPORT		01
03	0511013000	UPPER /LOWER PLATE		01
04	0501010334	1" X 7" BOLT		05
05	0503011438	SPRING WASHER		05
06	0501010059	1.5/8 NUT		05

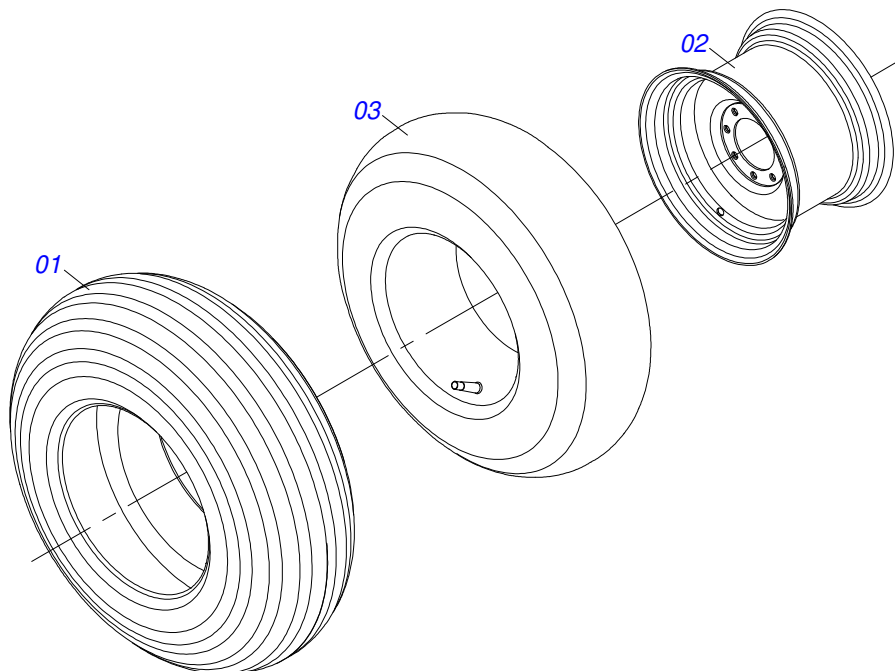


Item	Code	Description	See page	QT
01	0503010120	CANVAS TIRE		01
02	0503010033	7.50 X 16 INNER TIRE		01
03	0501061845	0.2"X0.6"X5.1"X6F0.6"X6.8"-D WHEEL		01



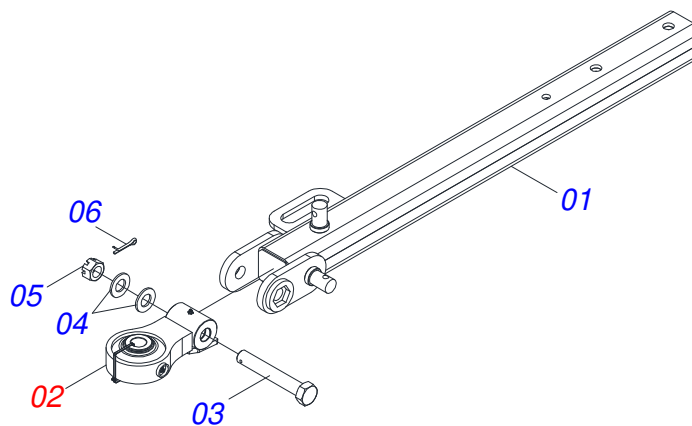
Item	Code	Description	See page	QT
01	0503011469	RIB TIRE BL - 12L		01
02	0503010860	AIR CHAMBER 11L 15		01
03	0511064777	CR 30M/2-L15 WHEEL		01

WHEEL SET



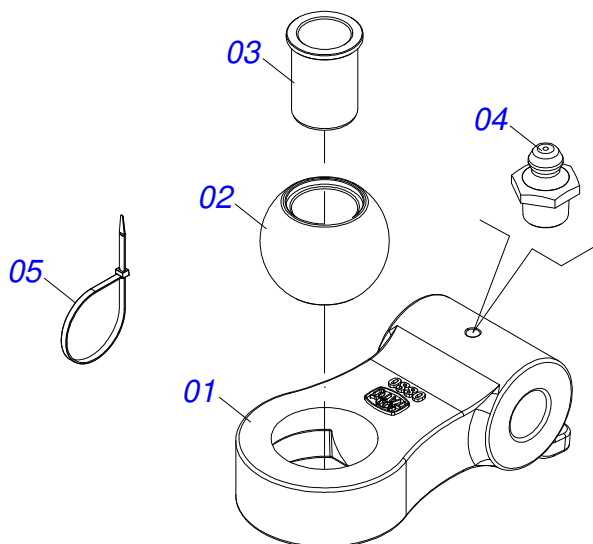
Item	Code	Description	See page	QT
01	0503011469	RIB TIRE BL - 12L		01
02	0511064777	CR 30M/2-L15 WHEEL		01
03	0503010860	AIR CHAMBER 11L 15		01

TRACTION BAR ASSY



Item	Code	Description	See page	QT
01	0521069165	DRAWBAR		01
02	0521057520	HITCH ASSY	9	01
03	0581015973	1.1/4 UNC X 8 C S G5 SCREW		01
04	0501017779	FLAT WASHER 32 X 60 X 4,75		02
05	0503013026	1.1/4" CASTLE NUT		01
06	0503010010	SPLIT PIN 1/4" X 2.1/2"		01

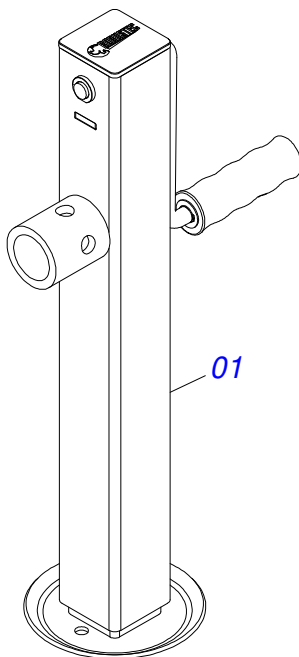
HITCH ASSY



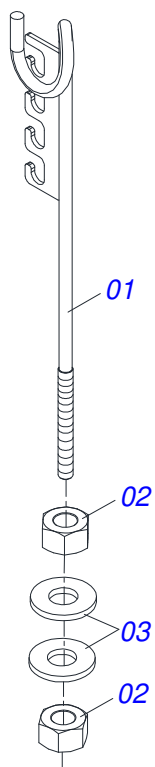
Item	Code	Description	See page	QT
01	0502040880	HITCH BODY		01
02	0502040885	BODY ATTACHMENT		01
03	0591012511	SLEEVE		01
04	0503010002	1800 GREASE FITTING		01
05	0503018829	NYLON CLAMP 7,8 X 1,8 X 390 MM		01

DRAWBAR JACK

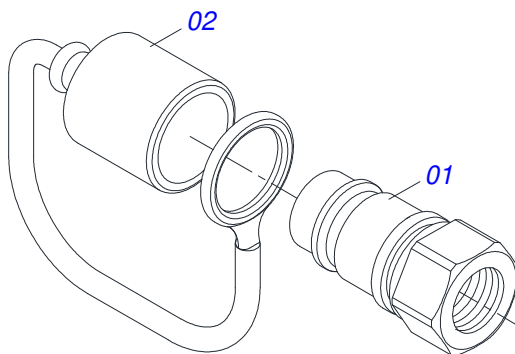
0503062157



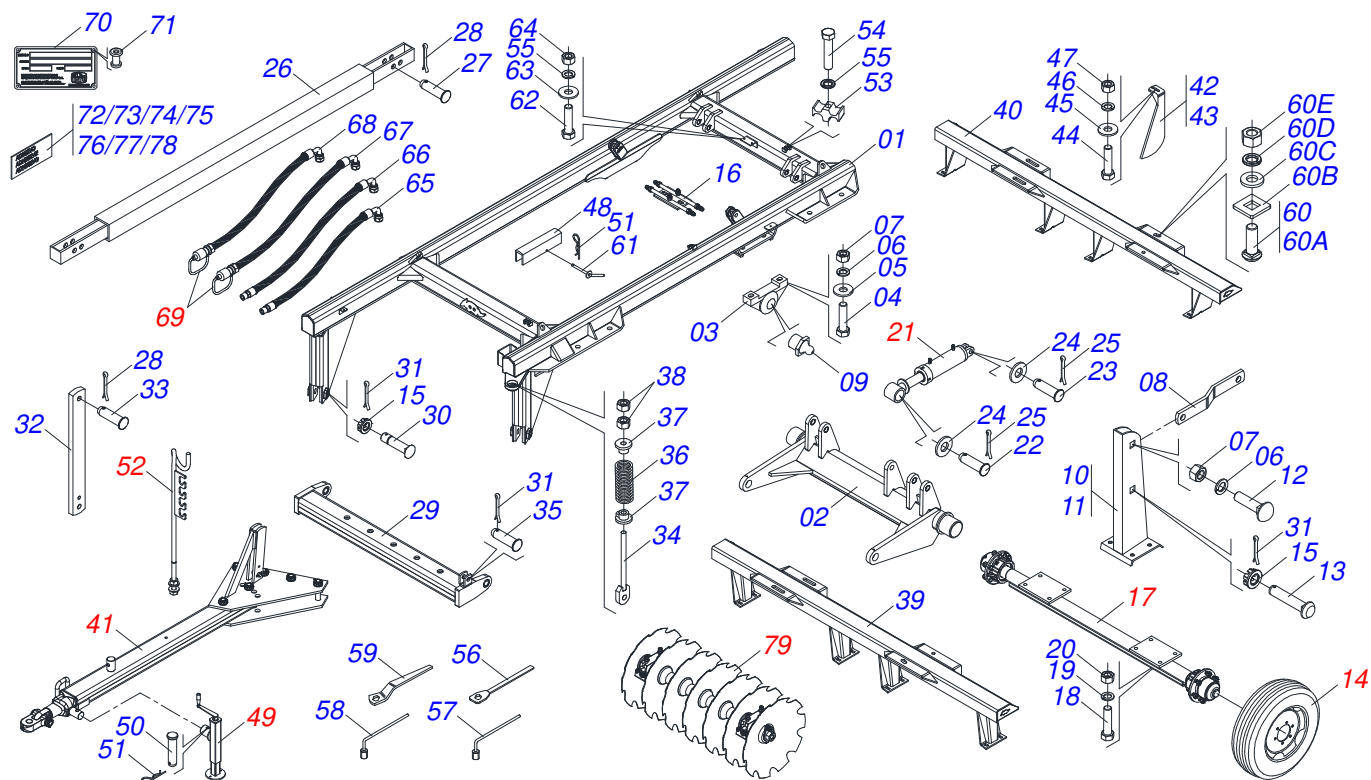
Item	Code	Description	See page	QT
01	0503062157	DRAWBAR JACK	10	01



Item	Code	Description	See page	QT
01	0511067334	HOSE SUPPORT		01
02	0503010014	3/4" ZN G.5 (HEAVY) UNC HEX NUT		02
03	0501010322	20,50 X 46 X 4,00 ZN FLAT WASHER		02



Item	Code	Description	See page	QT
01	0503011627	MALE QUICK COUPLER AGR 1/2 NPT		01
02	0503011882	MALE QUICK COUPLER CAP		01



Item	Code	Description	See page	18	20	24	28	30
01	0501067249	CENTER FRAME		01	01	01	01	01
02	0501067244	WHEELS		01	01	01	01	01
03	0502010972	ARTICULATION BEARING		02	02	02	02	02
04	0503011432	BOLT		06	06	06	06	06
05	0501010065	1" SPRING WASHER		04	04	04	04	04
06	0503011438	SPRING WASHER		12	12	12	12	12
07	0501010059	1.5/8 NUT		08	08	08	08	08
08	0501110404	SUPPORT BAR		02	02	02	02	02
09	0503010002	1800 GREASE FITTING		04	04	04	04	04
10	0501068260	RIGHT SUSPENSION TOWER		01	01	01	01	01
11	0501068261	LEFT SUSPENSION TOWER		01	01	01	01	01
12	0511017974	1" U BOLT SUSPENSION TOWER		02	02	02	02	02
13	0511018006	1-1/2 X 4.13" U BOLT OF SUSP TOWER		02	02	02	02	02
14	0503060213	WHEEL WITH TIRE 35.4" X 0.80" / 14 CANVAS	14	02	02	02	02	02
15	0501011301	1.1/2" UNC 6FPP 2.5/16" NUT		04	04	04	04	04
16	0501068706	DOUBLE CONNECTION		01	01	01	01	01
17	0501047809	3" X 85"STUB SHAFT & HUB ASSY	15	01	01	01	01	01
18	0501010125	3/4" X 2-1/2" BOLT		08	08	08	08	08
19	0503010023	3/4" SPRING WASHER		08	08	08	08	08
20	0503010014	3/4" ZN G.5 (HEAVY) UNC HEX NUT		08	08	08	08	08
21	0511059181	HYDRAULIC CYLINDER 50,80 X 101,60 X 515 X 248	16	02	02	02	02	02
22	0521010547	1.2" X 6.5" COUPLING SHAFT		02	02	02	02	02
23	0511010174	1.2" X 5.9" COUPLING SHAFT		02	02	02	02	02
24	0501017779	FLAT WASHER 32 X 60 X 4,75		04	04	04	04	04
25	0503010523	1/4" X 2" SPLIT PIN		06	06	06	06	06
26	0501067243	STABILIZER BAR		01	01	01	01	01
27	0521010575	C0.9" X 3.3" COUPLING SHAFT		02	02	02	02	02
28	0503010571	1/4" X 1.1/2" SPLIT PIN		03	03	03	03	03
29	0501067241	OFFSET BAR		01	01	01	01	01
30	0521012052	1.5" X 6.7" PIVOT SHAFT		02	02	02	02	02



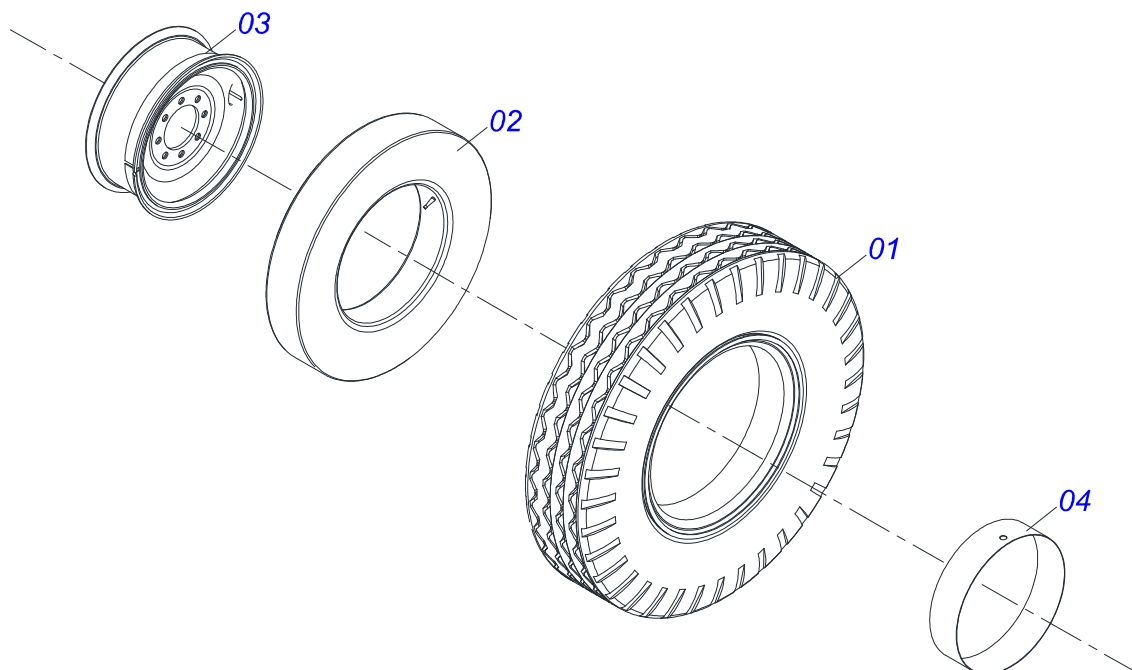
FRAME ASSY - 18/20/24/28/30D

0909097013

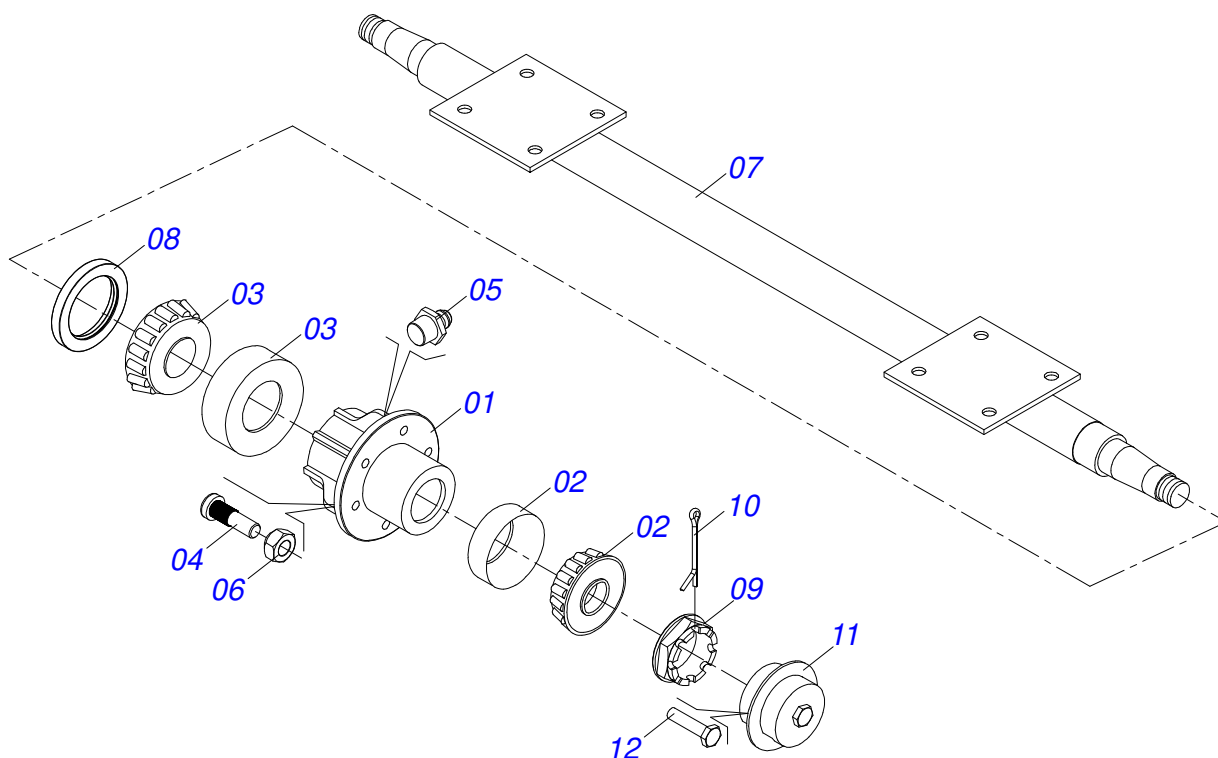
Item	Code	Description	See page	18	20	24	28	30
31	0503010534	3/8" X 2.1/2" SPLIT PIN		02	02	02	02	02
32	0511016121	STABILIZER BAR TOWER		01	01	01	01	01
33	0521010576	0.9" X 3.7" COUPLING SHAFT		01	01	01	01	01
34	0501066362	SPRING ROD		01	01	01	01	01
35	0521010592	1.1" X 3.1" COUPLING SHAFT		01	01	01	01	01
36	0503030441	12.7" X 5.7" X 0.5"SPRING		01	01	01	01	01
37	0502020394	SPRING SUPPORT		02	02	02	02	02
38	0501010087	1.1/4" NUT		02	02	02	02	02
39	0501060488	FRONT FRAME - 18		01	00	00	00	00
39.	0501060489	FRONT FRAME - 20		00	01	00	00	00
39..	0501060490	FRONT FRAME - 24		00	00	01	00	00
39...	0501068572	FRONT FRAME - 28		00	00	00	01	00
39....	0501063647	FRONT FRAME - 30		00	00	00	00	01
40	0501060492	REAR FRAME - 18		01	00	00	00	00
40.	0501060493	REAR FRAME - 20		00	01	00	00	00
40..	0501060494	REAR FRAME - 24		00	00	01	00	00
40...	0501068573	REAR FRAME - 28		00	00	00	01	00
40....	0501063648	REAR FRAME - 30		00	00	00	00	01
41	0511041570	DRAWBAR ASSY 3"	17	01	01	01	01	01
42	0501060423	FRONT SCRAPER		09	10	12	14	15
43	0501060424	REAR SCRAPER		09	10	12	14	15
44	0503010233	5/8" X 2-1/2" BOLT		18	20	24	28	30
45	0501012140	FLAT WASHER 16,50 X 40 X 4,00 ZN		18	20	24	28	30
46	0503010027	5/8 SPRING WASHER		18	20	24	28	30
47	0503010013	5/8" UNC G.5 ZN HEX NUT		18	20	24	28	30
48	0501066386	TRANSPORT LOCK 9.54"		02	02	02	02	02
49	0511048088	DRAWBAR JACK	18	01	01	01	01	01
50	0561014251	COUPLING SHAFT		01	01	01	01	01
51	0503030168	HITCH PIN CLIP		03	03	03	03	03
52	0501040257	3/4" X 38" HOSE SUPPORT ASSY	11	01	01	01	01	01
53	0502010477	HOSE CLAMP		05	05	05	05	05
54	0503012555	SCREW 7/16 UNC X 2 CS RT G.7 ZN		05	05	05	05	05
55	0503010180	7/16" SPRING WASHER		05	05	05	05	05
56	0501316941	KEY 2.1/8 AND 2.1/2		02	02	02	02	02
57	0501061045	1" WRENCH CYLINDRICAL		01	01	01	01	01
58	0503016137	1-1/4" WRENCH CABLE CYLINDER		01	01	01	01	01
59	0501011432	1-1/2" AND 1-5/8 GANG BOLT WRENCH		01	01	01	01	01
60	0501041102	1-1/4" X 3-3/4" ASSY BOLT		08	08	08	08	08
60A	0501015348	1-1/4" X 3-3/4" BOLT		08	08	08	08	08
60B	0501010953	1-1/4" SQUARE WASHER		08	08	08	08	08
60C	0531010713	FLAT WASHER		08	08	08	08	08
60D	0503010070	SPRING WASHER		08	08	08	08	08
60E	0501010087	1.1/4" NUT		08	08	08	08	08
61	0501068994	8,30 X 78 LOCK PIN		02	02	02	02	02
62	0503010237	3/8" X 1" BOLT		02	02	02	02	02
63	0501010984	10,50 X 27 X 3,00 FLAT WASHER		02	02	02	02	02
64	0503010026	3/8" NUT		02	02	02	02	02
65	0501080054	3/8" X 17" TR-TC HOSE		02	02	02	02	02
66	0501080413	3/8" X 27" TR-TC HOSE		02	02	02	02	02
67	0501080458	3/8" X 315" TC-TM HOSE		01	01	01	01	01
68	0501080459	3/8" X 322" TC-TM HOSE		01	01	01	01	01
69	0501053834	MALE QUICK COUPLER	12	02	02	02	02	02
70	0503034003	61 X 118 SERIAL NUMBER TAG		01	01	01	01	01
71	0503010001	RIVET 3,2 X 5,5		04	04	04	04	04
72	0503060788	GAPCR DECAL SET		01	01	01	01	01
73	0503034078	LIFTING POINTS DECAL		01	01	01	01	01
74	0503031738	WARNING DECAL		01	01	01	01	01



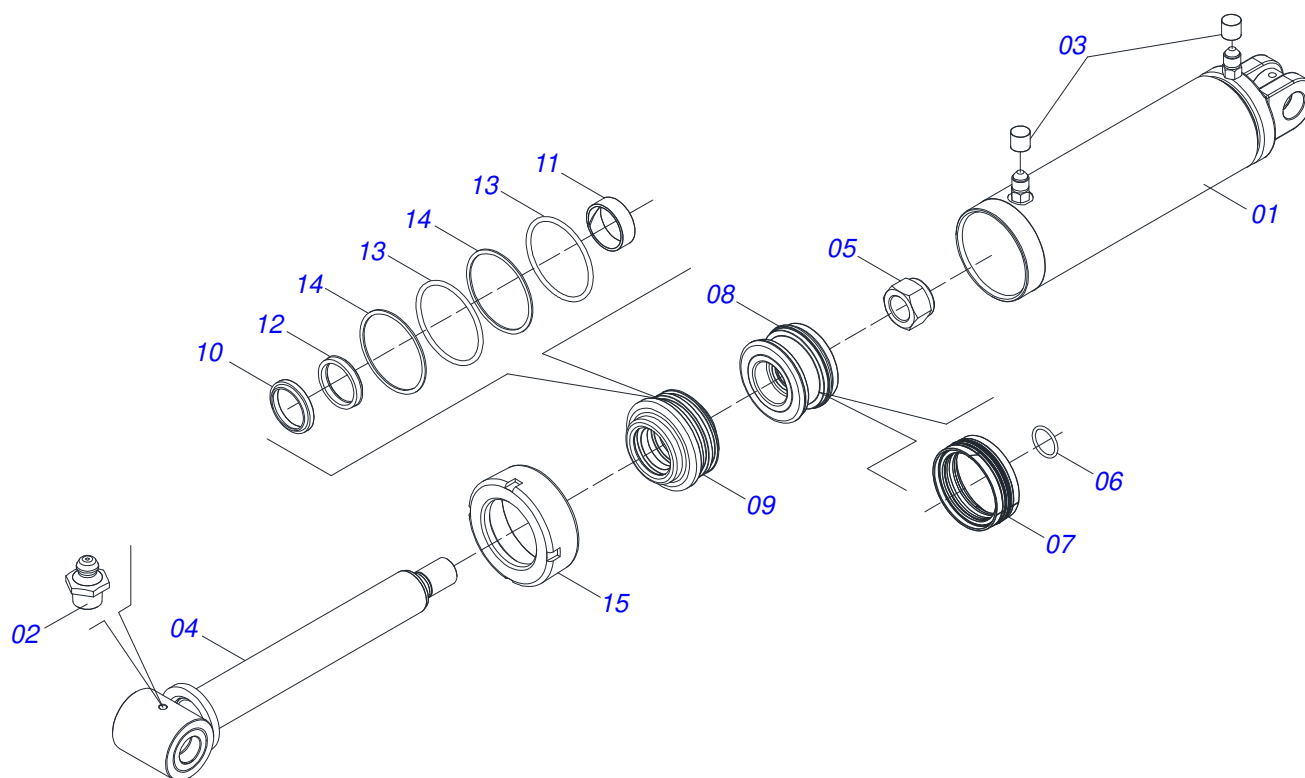
Item	Code	Description	See page	18	20	24	28	30
75	0503031739	DANGER DECAL		01	01	01	01	01
76	0503031428	READ MANUAL DECAL		01	01	01	01	01
77	0503031827	LUBRICATE AND RETIGHTEN DAILY DECAL		01	01	01	01	01
78	0503031087	AUTO CONTROL APPROVED DECAL		01	01	01	01	01
79		DISC GANG - 18/20/24/28/30D	20					



Item	Code	Description	See page	QT
01	0503010494	9.0LX 20" X 14 PLY, TIRE		01
02	0503010057	INNER TIRE		01
03	0501068263	2.6"X0.8"X6.0"X 8F0. 9"X8.0" WHEEL		01
04	0503010470	PROTECTION		01

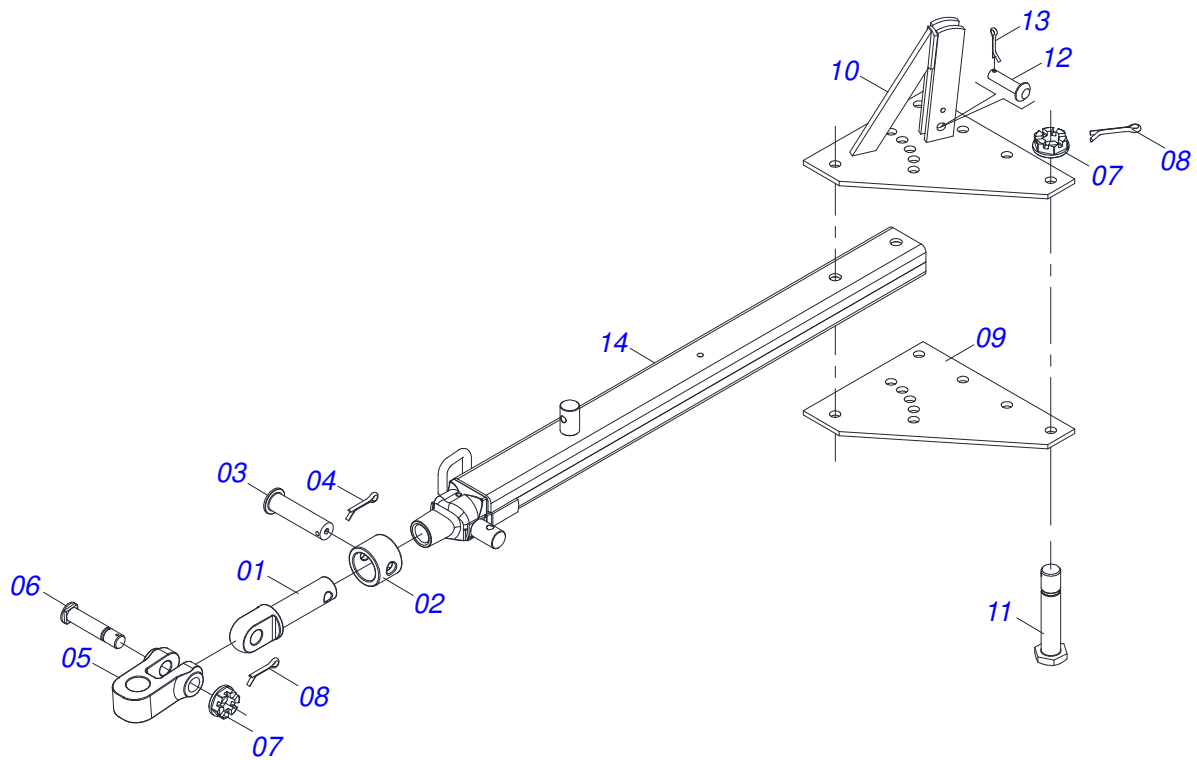


Item	Code	Description	See page	QT
01	0502011389	BOX		02
02	0503010006	32210 ROLLER BEARING		02
03	0503010005	32212 ROLLER BEARING		02
04	0501010186	WHEEL BOLT 5/8" UNF X 2.1/8CR		12
05	0503010002	1800 GREASE FITTING		02
06	0503010064	5/8 UNF CONIC NUT		12
07	0501067004	3" X 85" AXLE		01
08	0503011866	SEAL 00573-B WITH HOLE		02
09	0501010888	1.3/4" 2.5/16" CASTLE NUT		02
10	0503010010	SPLIT PIN 1/4" X 2.1/2"		02
11	0502020593	COVER		02
12	0503010295	SCREW 5/16 UNC X 5/8 CS G.2 ZN		02



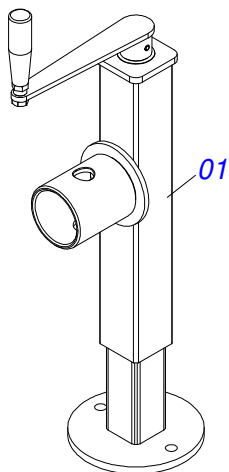
Item	Code	Description	See page	QT
01	0501067256	4" X 16" CYLINDER CASE		01
02	0503010002	1800 GREASE FITTING		02
03	0503030385	CYLINDER PLUG N-002		02
04	0521066345	PISTON ROD		01
05	0503010817	SELF LOCKING NUT 1.1/4 UNF ALTA G.5 ZN		01
06	0503010345	2-218 N 3006-9B O-RING		01
07	0503015633	SELEMASTER SEALING		01
08	0502012842	50,80 X 101,60 PISTON		01
09	0581010678	50,80 X 101 RING SUPPORT		01
10	0503015636	SCRAPER SEAL		01
11	0503018025	RING GUIDE W2-2250-750		01
12	0503018026	GASKET 1870-2000-375 B POLYMAX		01
13	0503010338	2-342 N 3006-9B O-RING		02
14	0503011061	8-342 BACK-UP RING		02
15	0502012822	END CAP 4"		01

DRAWBAR ASSY 3"

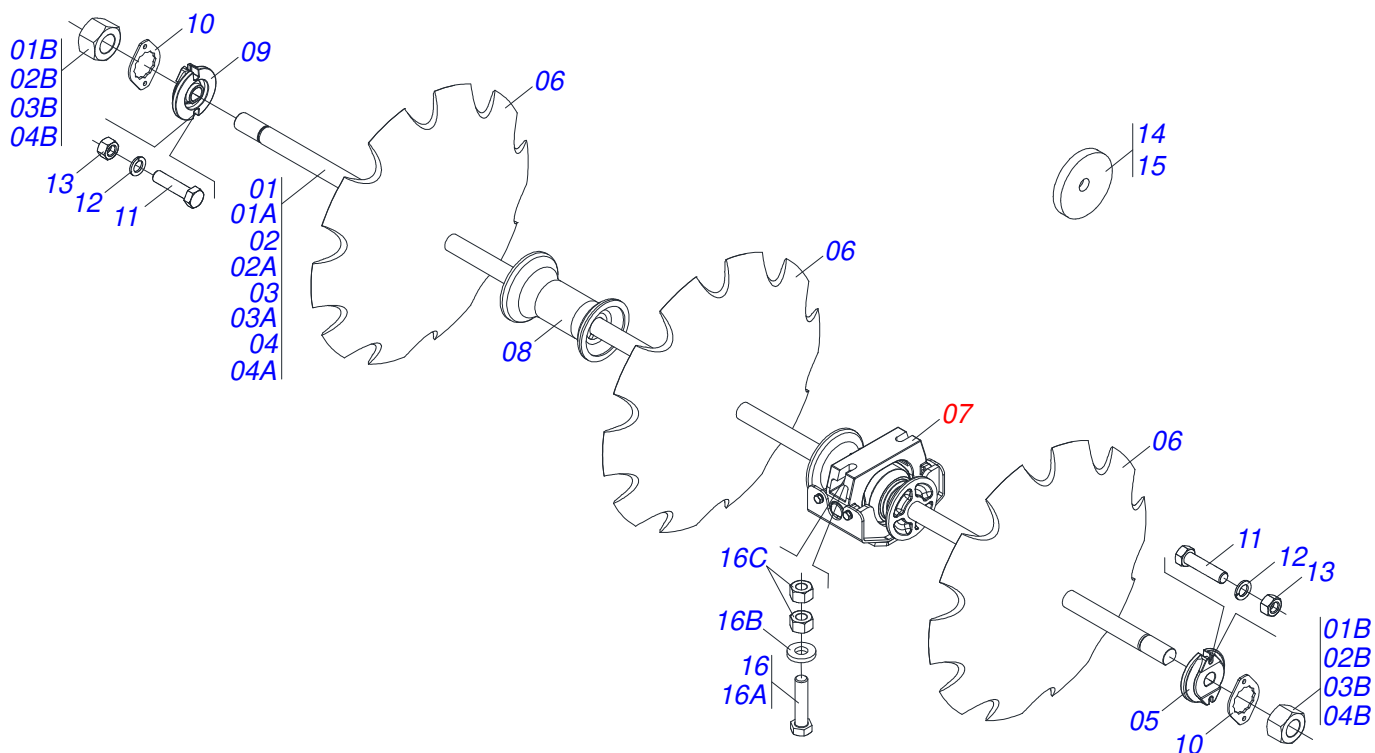


Item	Code	Description	See page	QT
01	0502040223	DRAWBOLT		01
02	0502040327	HITCH LOCK RING		01
03	0511014902	COUPLING SHAFT		01
04	0503010571	1/4" X 1.1/2" SPLIT PIN		01
05	1902040733	U COUPLING HOOK		01
06	0521012545	COUPLING SHAFT		01
07	0501011301	1.1/2" UNC 6FPP 2.5/16" NUT		07
08	0503010010	SPLIT PIN 1/4" X 2.1/2"		07
09	0511016137	UPPER /LOWER PLATE		01
10	0501067250	UPPER PLATE WITH SUPPORT		01
11	0501016419	1-1/2" X 7.5" BOLT		06
12	0521010779	31.75 X 95 COUPLING SHAFT		01
13	0503010523	1/4" X 2" SPLIT PIN		01
14	0501069323	TRACTION BAR		01

DRAWBAR JACK



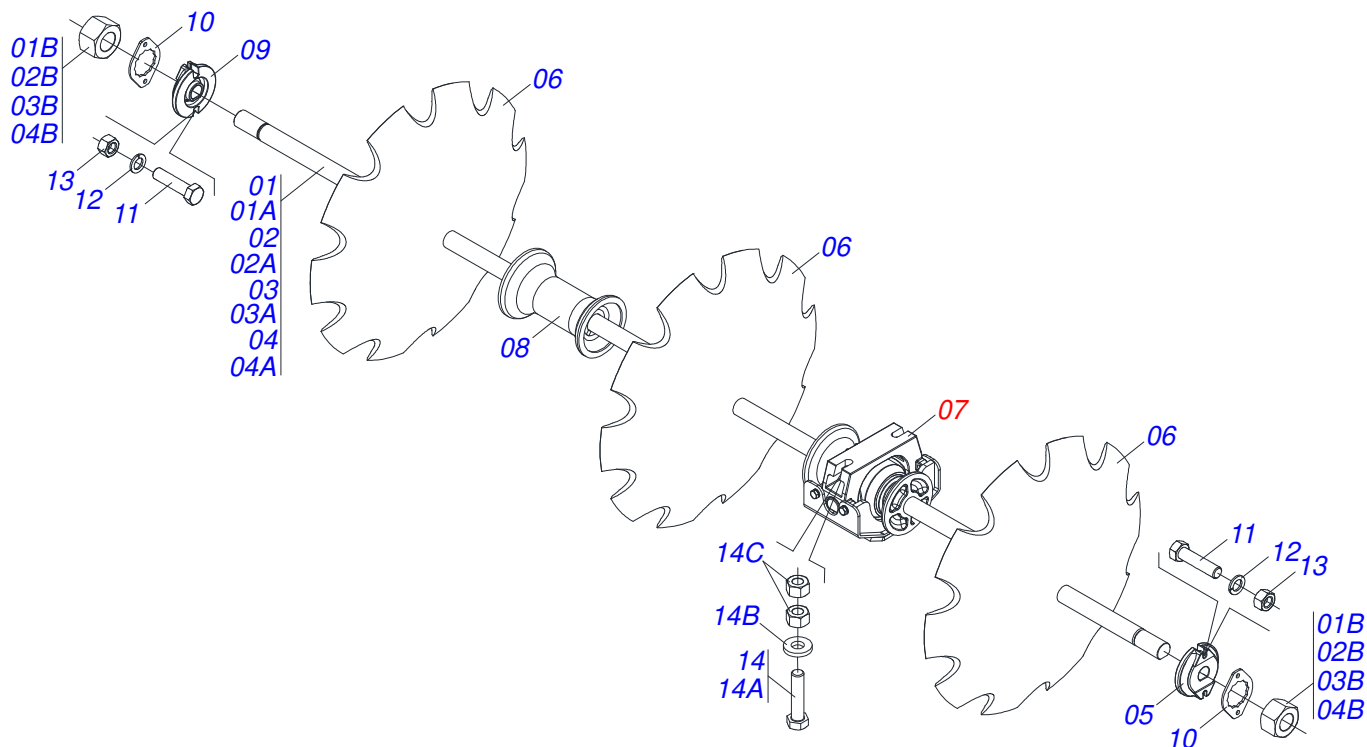
Item	Code	Description	See page	QT
01	0503062227	DRAWBAR JACK		01



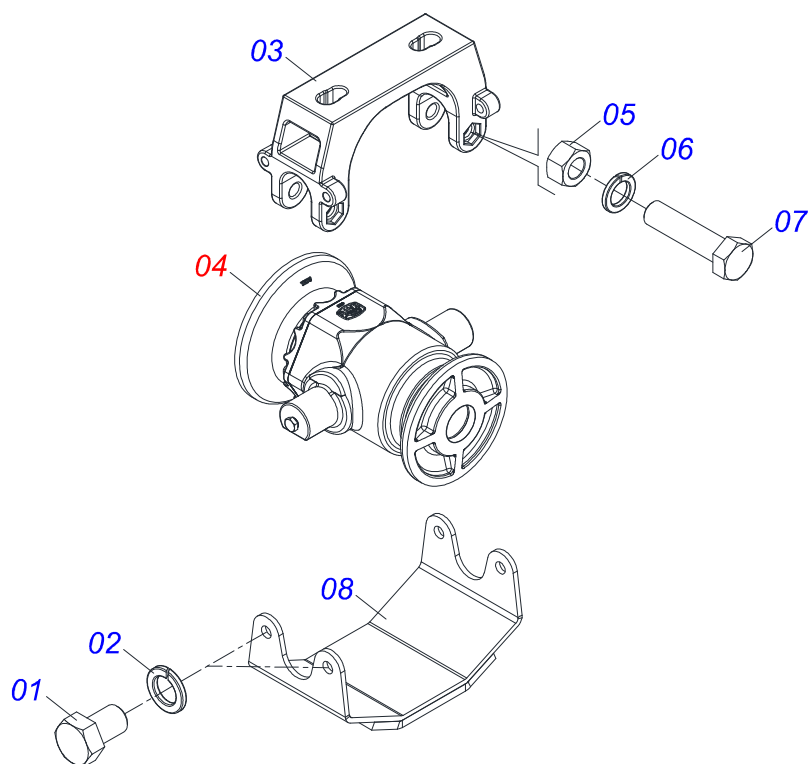
Item	Code	Description	See page	10	12	14	16
01	0511047064	2-1/8" X 63" AXLE		02	00	00	00
01A	0551017147	2-1/8" X 63" AXLE		01	00	00	00
01B	0502040063	2-1/8" X 54 99 NUT		02	00	00	00
02	0511042123	2-1/8" X 76" AXLE WITH NUTS		00	02	00	00
02A	0501013759	2-1/8" X 76" AXLE		00	01	00	00
02B	0502040063	2-1/8" X 54 99 NUT		00	02	00	00
03	0501041514	2-1/8" X 8.9" AXLE WITH NUTS		00	00	02	00
03A	0501013760	2-1/8" X 8.9" AXLE		00	00	01	00
03B	0502040063	2-1/8" X 54 99 NUT		00	00	02	00
04	0501041515	2-1/8" X 102" AXLE WITH NUTS		00	00	00	02
04A	0501013761	2-1/8" X 102" AXLE		00	00	00	01
04B	0502040063	2-1/8" X 54 99 NUT		00	00	00	02
05	0502010594	2-1/8" EXTERNAL AXLE WASHER		02	02	02	02
06	0602037002	DR 28 X 7,50 C102AF04FR2.3/16 10R		10	12	14	16
06.	0602040001	DR 30 X 7,50 C105AF04FR2.3/16 10R		10	12	14	16
06..	0602044001	DR 32 X 9,00 C115AF04FR2.3/16 10R		10	12	14	16
06...	0602044003	DR 32 X 12,00 C115AF04FR2.3/16 10R		10	12	14	16
06....	0602046013	DR 34 X 9,00 C120AF04FR2.3/16 12R		10	12	14	16
07	0531041671	DMO 330 X 2.1/8 BERING	21	04	04	04	06
08	0502010643	13" 2-1/8" SPACER		04	06	08	08
09	0502010595	2-1/8" INNER AXLE WASHER		02	02	02	02
10	0541010368	NUT LOCK		04	04	04	04
11	0503010232	5/8" X 1.3/4" BOLT		08	08	08	08
12	0503010027	5/8 SPRING WASHER		08	08	08	08
13	0503010013	5/8" UNC G.5 ZN HEX NUT		08	08	08	08
14	0511015812	SPACER FLANGE		02	02	02	02
15	0511015813	SPACER FLANGE		02	02	02	02
16	0531041581	1" X 4" BOLT ASSY		08	08	08	12
16A	0503011432	BOLT		01	01	01	01
16B	0541010210	FLAT WASHER		01	01	01	01



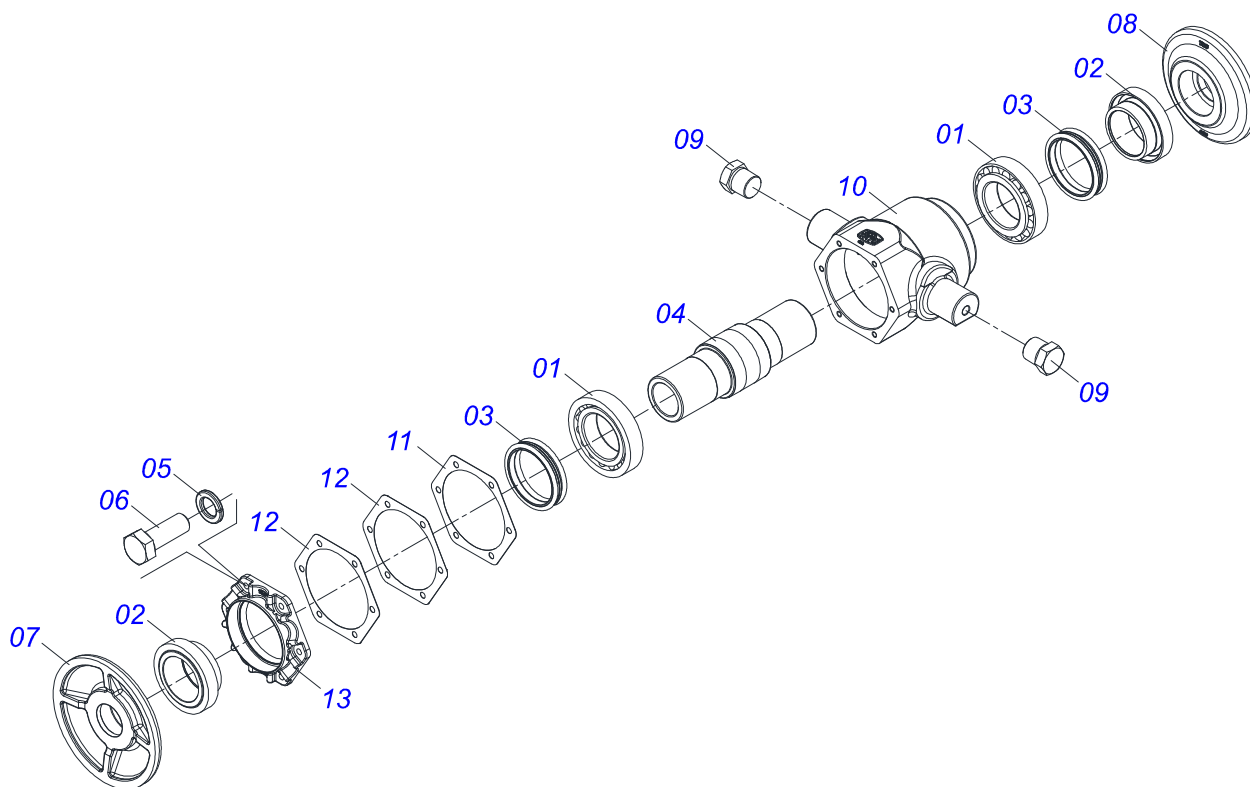
Item	Code	Description	See page	10	12	14	16
16C	0501010059	1.5/8 NUT		02	02	02	02



Item	Code	Description	See page	18	20	24	28	30
01	0501041516	2-1/8" X 49" AXLE WITH NUTS		02	00	00	00	00
01A	0501013757	2-1/8" X 49" AXLE		01	00	00	00	00
01B	0502040063	2-1/8" X 54 99 NUT		02	00	00	00	00
02	0511047064	2-1/8" X 63" AXLE		02	04	00	00	06
02A	0551017147	2-1/8" X 63" AXLE		01	01	00	00	01
02B	0502040063	2-1/8" X 54 99 NUT		02	02	00	00	02
03	0511042123	2-1/8" X 76" AXLE WITH NUTS		00	00	04	00	00
03A	0501013759	2-1/8" X 76" AXLE		00	00	01	00	00
03B	0502040063	2-1/8" X 54 99 NUT		00	00	02	00	00
04	0501041514	2-1/8" X 8.9" AXLE WITH NUTS		00	00	00	04	00
04A	0501013760	2-1/8" X 8.9" AXLE		00	00	00	01	00
04B	0502040063	2-1/8" X 54 99 NUT		00	00	00	02	00
05	0502010594	2-1/8" EXTERNAL AXLE WASHER		02	04	04	04	06
06	0602037002	DR 28 X 7,50 C102AF04FR2.3/16 10R		18	20	24	28	30
06.	0602040001	DR 30 X 7,50 C105AF04FR2.3/16 10R		18	20	24	28	30
06..	0602044001	DR 32 X 9,00 C115AF04FR2.3/16 10R		18	20	24	28	30
06...	0602044003	DR 32 X 12,00 C115AF04FR2.3/16 10R		18	20	24	28	30
06....	0602046013	DR 34 X 9,00 C120AF04FR2.3/16 12R		18	20	24	28	30
07	0531041671	DMO 330 X 2.1/8 BERING	21	08	08	08	08	12
08	0502010643	13" 2-1/8" SPACER		06	08	12	12	12
09	0502010595	2-1/8" INNER AXLE WASHER		04	04	04	04	06
10	0541010368	NUT LOCK		08	08	08	08	12
11	0503010232	5/8" X 1.3/4" BOLT		16	16	16	16	24
12	0503010027	5/8 SPRING WASHER		16	16	16	16	24
13	0503010013	5/8" UNC G.5 ZN HEX NUT		16	16	16	16	24
14	0531041581	1" X 4" BOLT ASSY		16	16	16	16	24
14A	0503011432	BOLT		01	01	01	01	01
14B	0541010210	FLAT WASHER		01	01	01	01	01
14C	0501010059	1.5/8 NUT		02	02	02	02	02



Item	Code	Description	See page	QT
01	0503010834	1/2 X 1 BOLT		04
02	0503010019	1/2" SPRING WASHER		04
03	0502013011	360 OSCILLATING BEARING SUPPORT (CENTRAL)		01
04	0531053200	DMO 330 X 2.1/8 IMP BEARING	22	01
05	0503010013	5/8" UNC G.5 ZN HEX NUT		02
06	0503010027	5/8 SPRING WASHER		02
07	0503010480	5/8" X 4.3/4" BOLT		02
08	0501210530	SWING BEARING COVER		01



Item	Code	Description	See page	QT
01	0503010117	32216 ROLLER BEARING		02
02	0502040123	SEAL RETAINER		02
03	0503030028	JB-257 SEAL		02
04	0502040034	BEARING AXLE		01
05	0503011443	SPRING WASHER 3/8"		06
06	0503010751	C3/8" X 1.1/4" HEX BOLT G.5		06
07	0502040260	OUTER FLANGE		01
08	0502040261	INNER FLANGE		01
09	0503010856	OIL PLUG R 3/8 BSPT		02
10	0502013012	2.1/8" BEARING HUB		01
11	0503034044	JOINT		01
12	0503034045	JOINT		02
13	0502012772	BEARING COVER		01



MARCHESAN

Technical Publications | Elaboration and Revision

LEONARDO JOSÉ DA SILVA SOUZA

www.marchesan.com.br

