

**PD - FRONT LOADER**

**PD 1100**

**Code:** 0501093703  
**Series:** S-0923  
**Revision:** 00  
**Revision Date:** OUTUBRO/2023

# PARTS CATALOGUE



**MARCHESAN**



# PRODUCTS

Code	Description
0106040361	PD 1100 S-0923
0106040362	PD 1100 S-0923

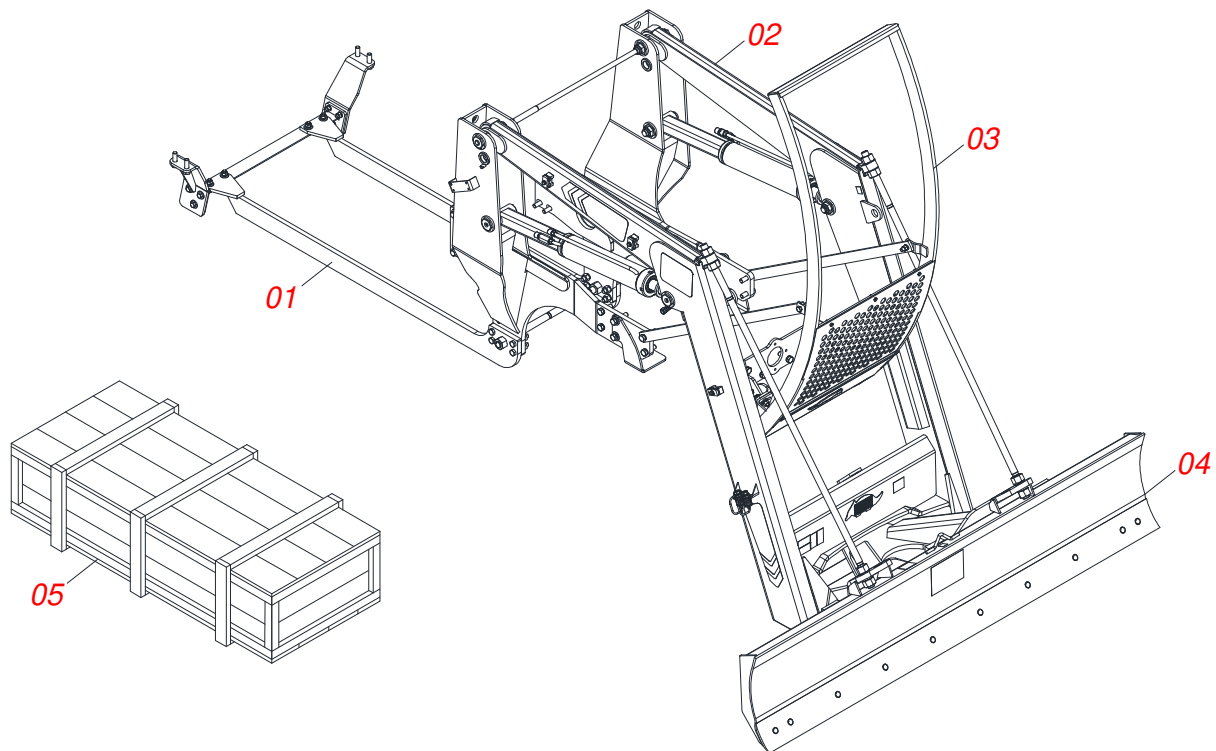
## ATTENTION: IMPORTANT

Marchesan S.A. reserves the right to improve and/or modify the technical features of its products, without obligation to do the same with those products already sold and without prior knowledge of the dealer or the customer. The photos are only illustrative.

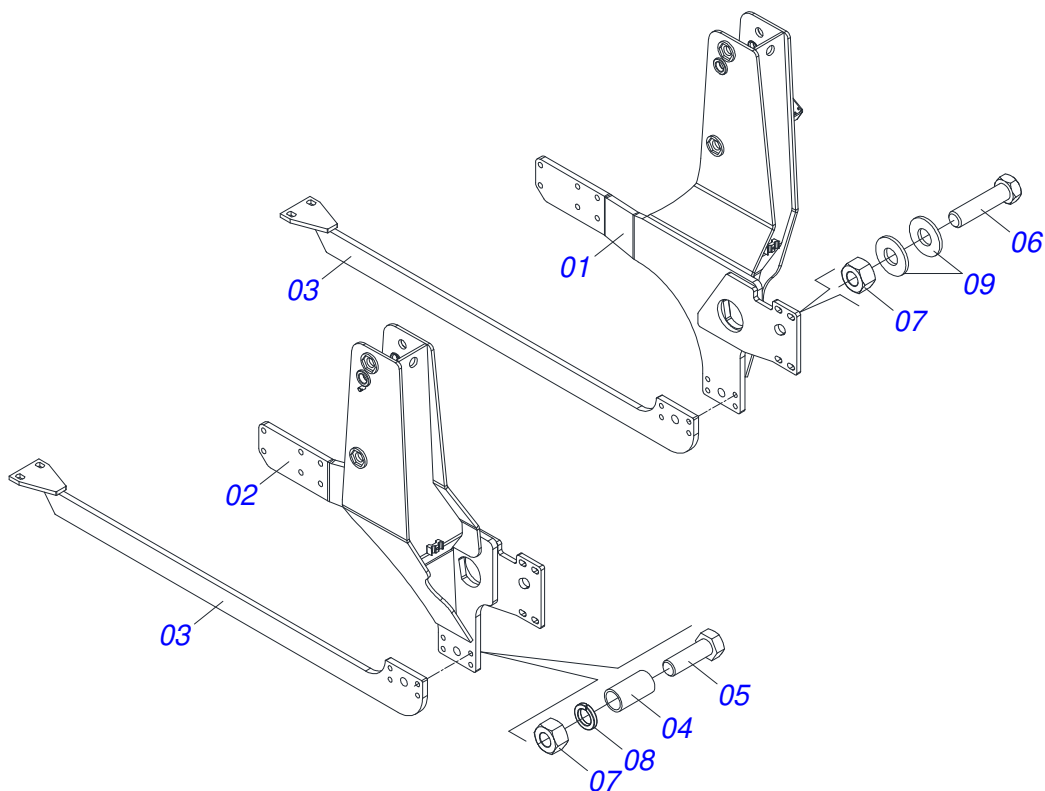


# INDEX

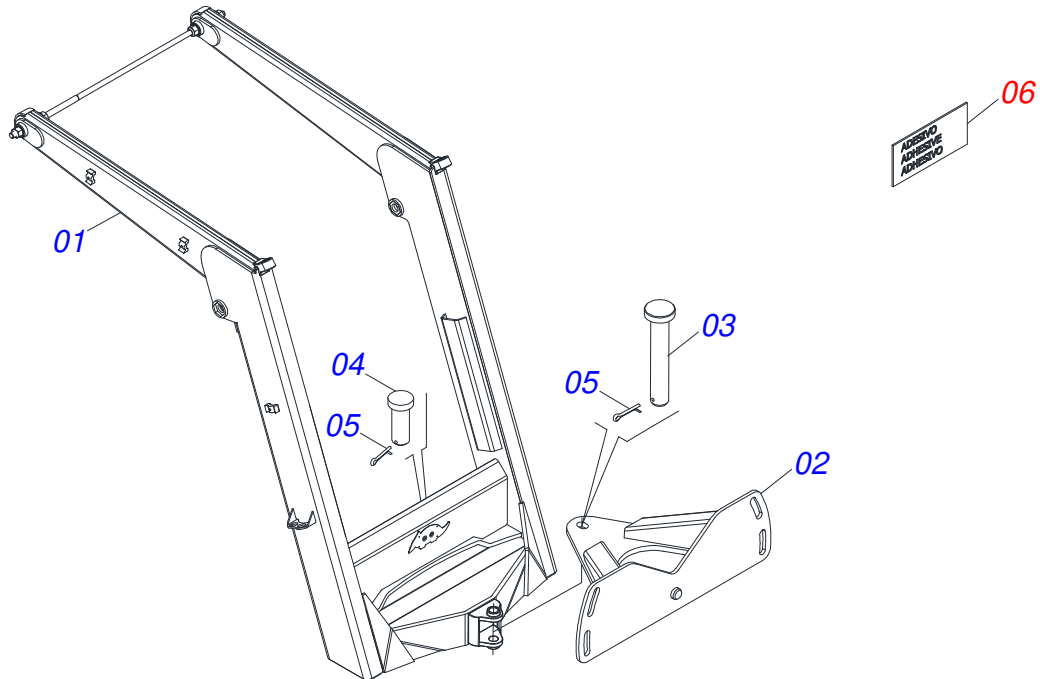
0909096913	PD 1100	.....	1
0531045539	FRAME SET WITH BAR	.....	2
0521047673	MOBILE SUPPORT ASSY	.....	3
0909096822	DECAL SET	.....	4
0501049367	ASSY HIGH MOBILE SUPPORT GUIDE	.....	5
0511045456	2600 BLADE SUPPORT ASSY	.....	6
0501047710	2600MM BLADE SUPPORT ASSY	.....	7
0909096829	DECAL SET	.....	8
0531020409	BOX WITH COMPONENTS	.....	9
0521044193	1.1/4 NC X 1810 FULL ROD	.....	10
0521047554	ROD 1.1 / 4 NC 760 X 4 ASSY WITH NUT	.....	11
0909096914	HYDRAULIC CIRCUIT	.....	12
0521051770	HYDRAULIC CYLINDER	.....	13
0521051768	HYDRAULIC CYLINDER	.....	14
0511054457	ASSY SAFETY VALVE	.....	15
0511034823	PACKAGED PARTS	.....	16
0501053834	MALE QUICK COUPLER	.....	17
0501053835	FEMALE QUICK COUPLER	.....	18
0531020410	BOX WITH COMPONENTS	.....	19
0909096915	HYDRAULIC CIRCUIT	.....	20
0521047929	HYDRAULIC COMMAND 1/2 1,5 M	.....	21
0531044005	JOYSTICK SUPPORT ASSEMBLY	.....	22
0521048404	CONNECTION	.....	23
0511034824	PACKAGED PARTS	.....	24



Item	Code	Description	See page	QT
01	0531045539	FRAME SET WITH BAR	2	01
02	0521047673	MOBILE SUPPORT ASSY	3	01
03	0501049367	ASSY HIGH MOBILE SUPPORT GUIDE	5	01
04	0511045456	2600 BLADE SUPPORT ASSY	6	01
05	0531020409	BOX WITH COMPONENTS	9	01
05.	0531020410	BOX WITH COMPONENTS	19	01



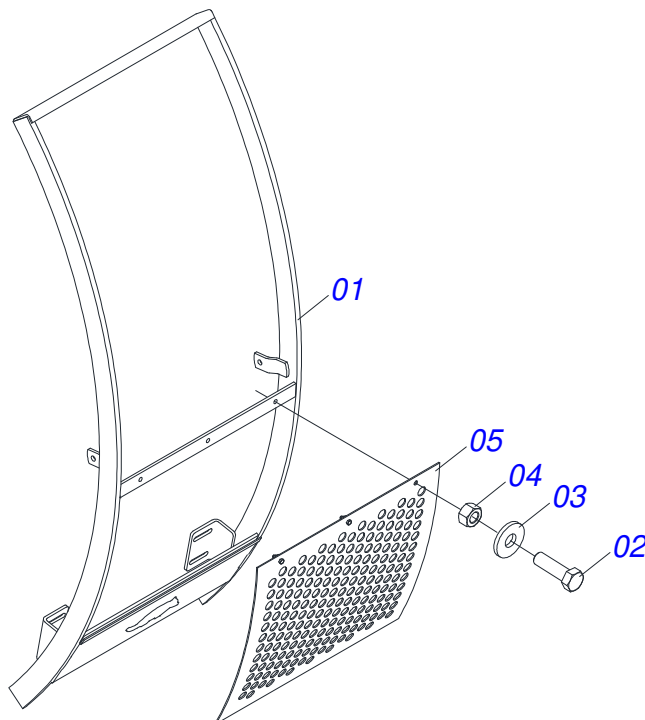
Item	Code	Description	See page	QT
01	0531066774	RIGHT FRAME		01
02	0531066773	LEFT FRAME		01
03	0521064885	CONJUNTO DEL CHASIS		02
04	0581015170	SLEEVE		04
05	0503011084	3/4" X 5" BOLT		04
06	0501010500	3/4" X 3" BOLT		02
07	0503010014	3/4" HEX NUT		06
08	0503010023	3/4" SPRING WASHER		04
09	0501010322	FLAT WASHER		06



Item	Code	Description	See page	QT
01	0521068135	MOBILE SUPPORT		01
02	0501062637	5/8" REGULATOR SUPPORT		01
03	0521010618	1.4" X 8.6" COUPLING SHAFT		01
04	0521010612	1.4" X 3.5" COUPLING SHAFT		01
05	0503010010	1/4" X 2.1/2" SPLIT PIN		02
06	0909096822	DECAL SET	4	01

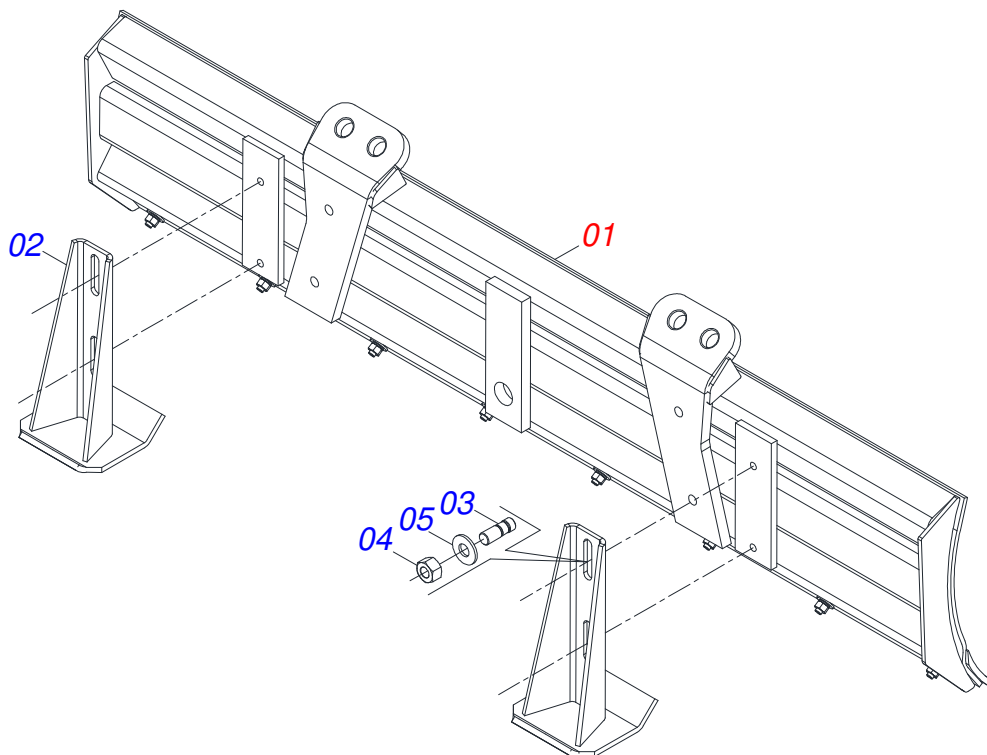


Item	Code	Description	See page	QT
01	0503034003	61 X 118 SERIAL NUMBER TAG		01
02	0503010001	3.2 X 5.5 RIVET		04
03	0503064057	ADHESIVE DECAL SET		01
04	0503031428	READ MANUAL DECAL		01
05	0503031827	LUBRICATE AND RETIGHTEN DAILY DECAL		01
06	0503034078	LIFTING POINTS DECAL		03
07	0503031087	AUTO CONTROL APPROVED DECAL		01
08	0503036238	SAFETY LOCKING HYDRAULIC CYLINDERS DECAL		01
09	0503036239	ATTENTION FLUIDS WITH PRESSURE DECAL		01
10	0503036241	SAFETY CAUTION SHOCK HAZARD DECAL		01

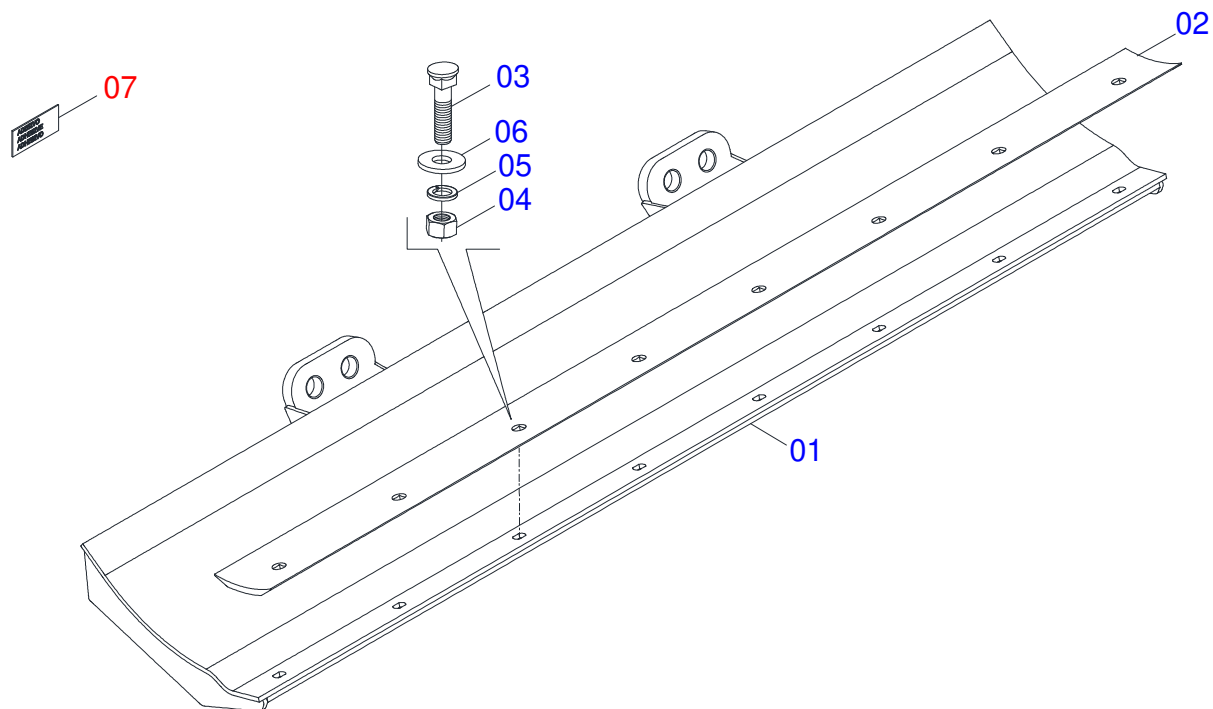


Item	Code	Description	See page	QT
01	0511061956	MOBILE SUPPORT GUIDE ASSY		01
02	0503010751	C3/8" X 1.1/4" HEX BOLT G.5		03
03	0501010984	10,50 X 27 X 3,00 FLAT WASHER		03
04	0503010026	3/8" NUT		03
05	0501014687	FRONT PROTECTION		01





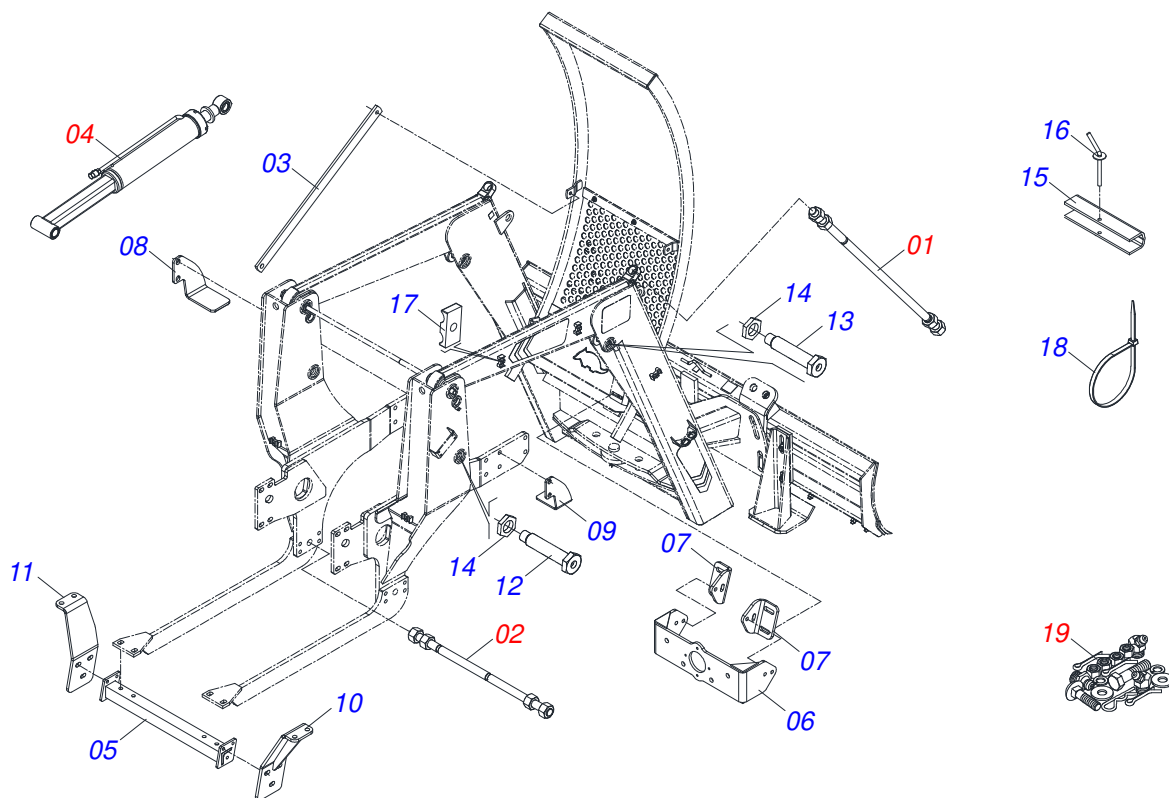
Item	Code	Description	See page	QT
01	0501047710	2600MM BLADE SUPPORT ASSY	7	01
02	0501063411	STABILIZER SUPPORT		02
03	0561016756	3/4 UNC X 3/4 UNC X 56 PRISONER		04
04	0503010014	3/4" HEX NUT		08
05	0501010322	FLAT WASHER		04



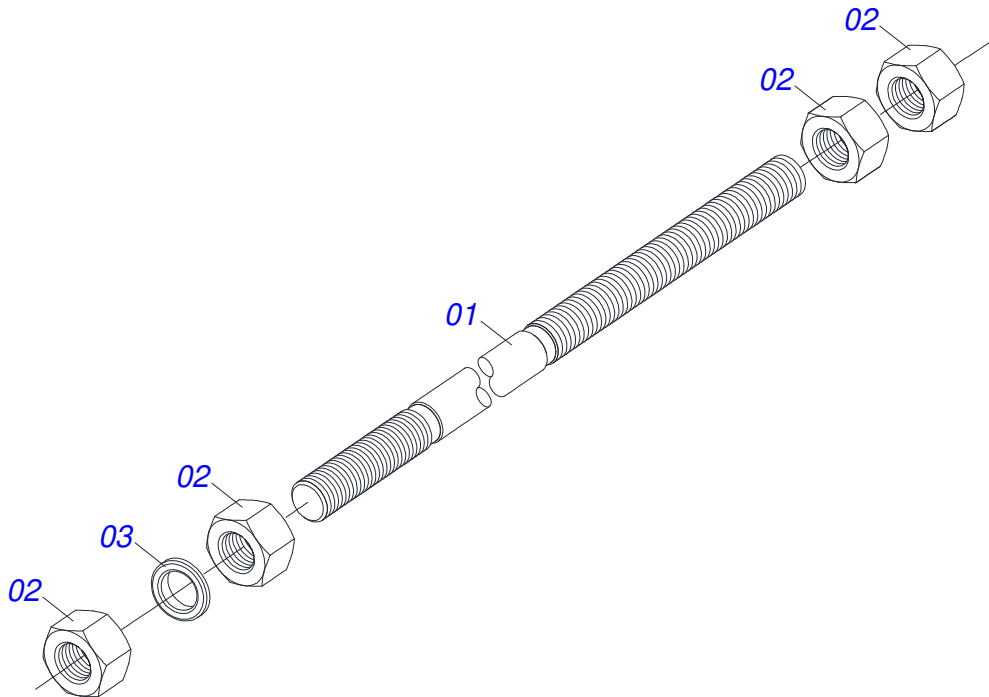
Item	Code	Description	See page	QT
01	0501068001	2590MM BLADE SUPPORT ASSY		01
02	0622360011	2600 SCRAPER REVERSIBLE		01
03	0501012240	BOLT		08
04	0503010013	5/8 NUT		08
05	0503010027	5/8 SPRING WASHER		08
06	0501010301	FLAT WASHER		08
07	0909096829	DECAL SET	8	01



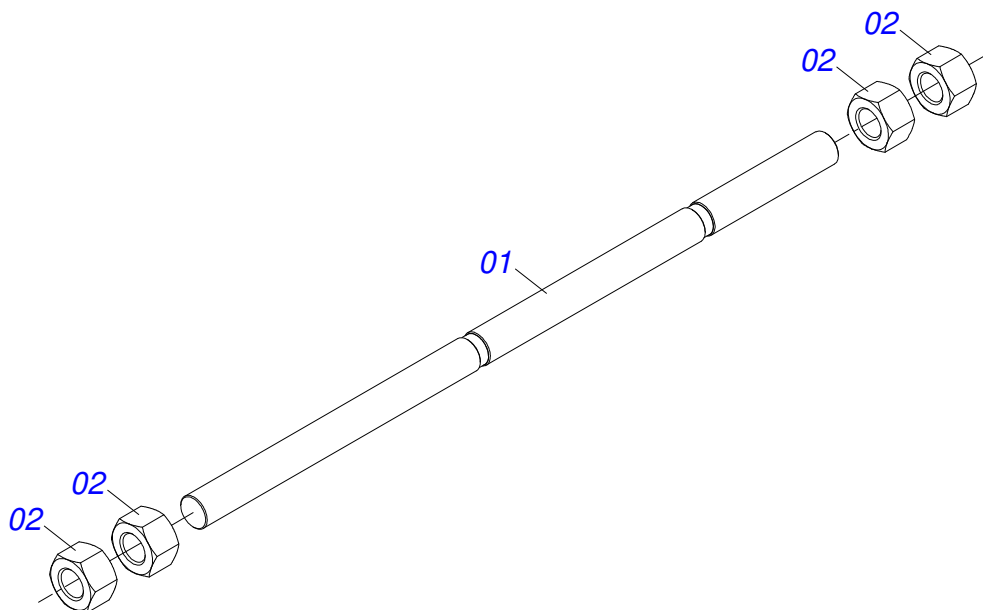
Item	Code	Description	See page	QT
01	0503033429	ADHESIVE LABEL		01
02	0503031087	AUTO CONTROL APPROVED DECAL		01
03	0503034078	LIFTING POINTS DECAL		01
04	0503036241	SAFETY CAUTION SHOCK HAZARD DECAL		01



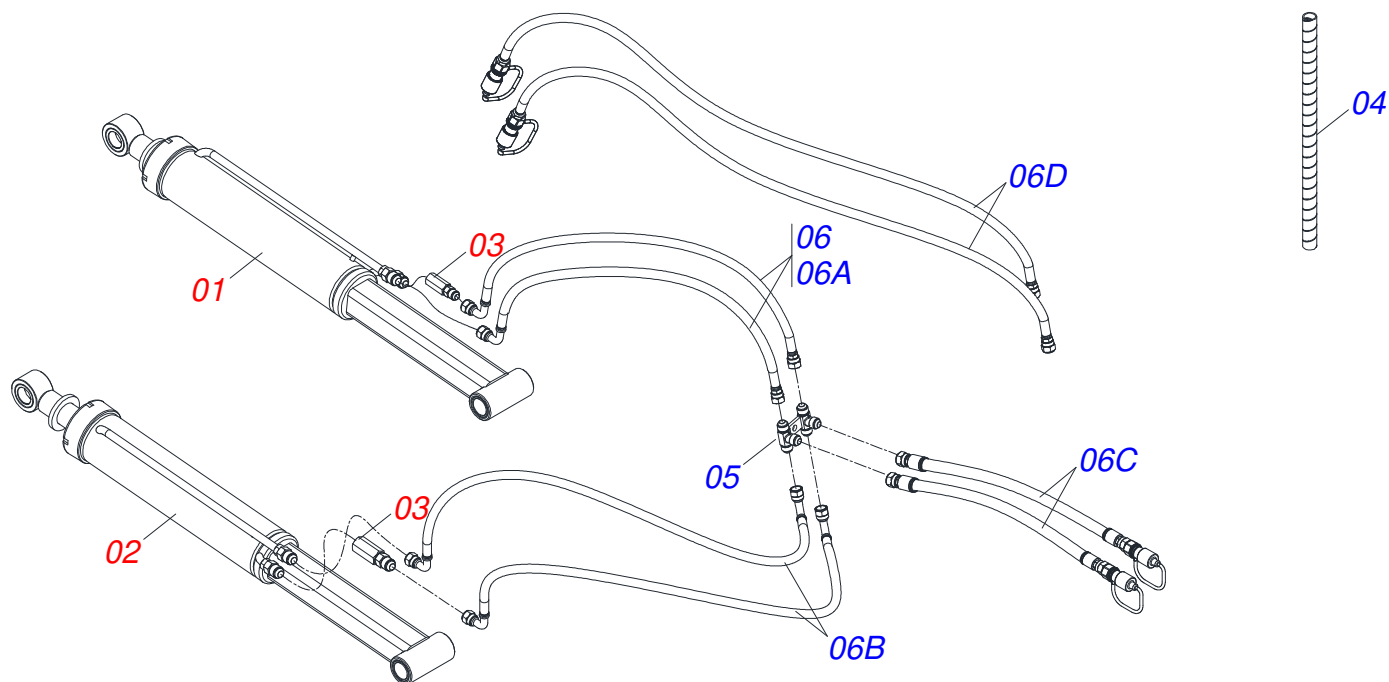
Item	Code	Description	See page	QT
01	0521044193	1.1/4 NC X 1810 FULL ROD	10	02
02	0521047554	ROD 1.1 / 4 NC 760 X 4 ASSY WITH NUT	11	01
03	0501010626	FRENCH HAND		02
04	0909096914	HYDRAULIC CIRCUIT	12	01
05	0521064886	FRAME FIXER SUPORT		01
06	0521064897	PUMP SUPPORT		01
07	0571014003	FASTENING BRACKET OF THE HIGH GUIDE		02
08	0521064881	LEFT BEATER		01
09	0521064882	RIGHT BEATER		01
10	0521064884	RH SUPPORT		01
11	0521064883	SAPATA ESQ DIFER		01
12	0581015228	BOLT		04
13	0581015007	BOLT 1.1/4 UNF X 103		02
14	0501216423	WASHER HEX 37,8 X 58 X 9,50		06
15	0531017238	LOCK TRANSPORT		02
16	0501068994	8,30 X 78 LOCK PIN		02
17	0502010477	HOSE CLAMP		05
18	0503013527	CLAMP ZIPER		10
19	0511034823	PACKAGED PARTS	16	01



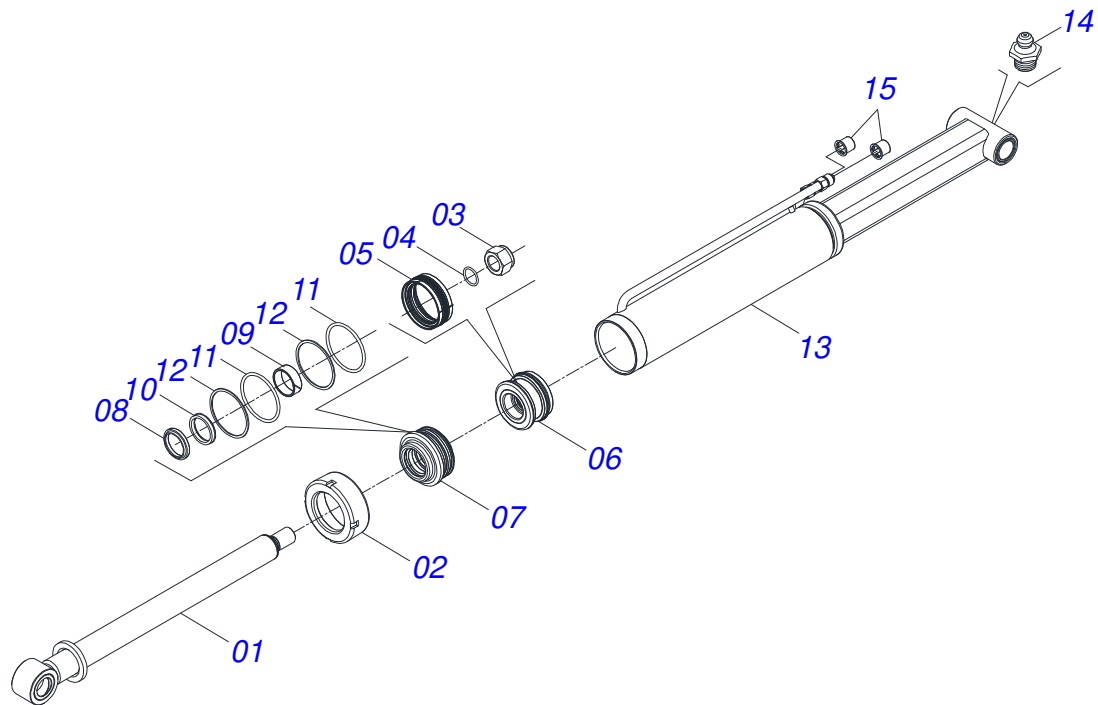
Item	Code	Description	See page	QT
01	0571016063	1.1/4X1810 ROD		01
02	0501010087	1.1/4" NUT		04
03	0502012180	CONICAL SPRING WASHER		02



Item	Code	Description	See page	QT
01	0501010628	1.1/4" X 760 ROD		01
02	0501010087	1.1/4" NUT		04

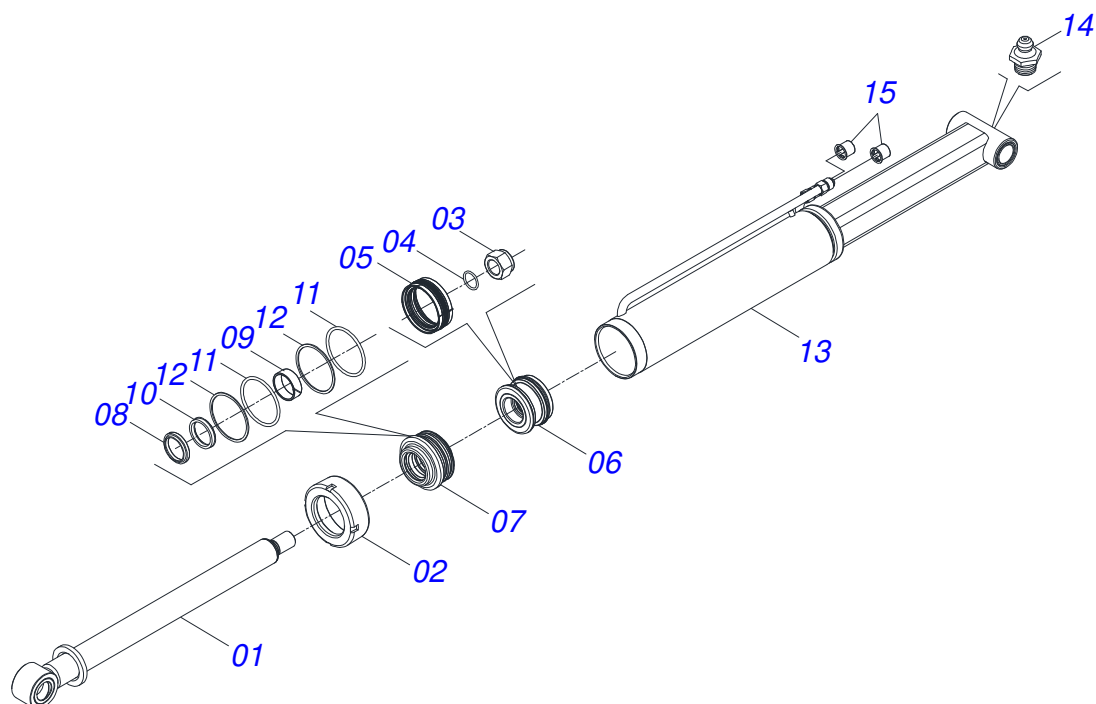


Item	Code	Description	See page	QT
01	0521051770	HYDRAULIC CYLINDER	13	01
02	0521051768	HYDRAULIC CYLINDER	14	01
03	0521064869	7/8UNF JIC OIL DISTRIBUTOR		01
04	0581010090	SPRING PROTECTION PLASTIC HOSE		04
05	0511054457	ASSY SAFETY VALVE	15	02
06	0541052619	HOSE SET		01
06A	0501080010	1/2 X 1000 TR-TC HOSE		02
06B	0501081407	1/2 X 3100 TR-TC HOSE		02
06C	0501080959	1/2 X 3400 HOSE		02
06D	0501082139	HOSE 1/2 X 6500 TM-TM		02

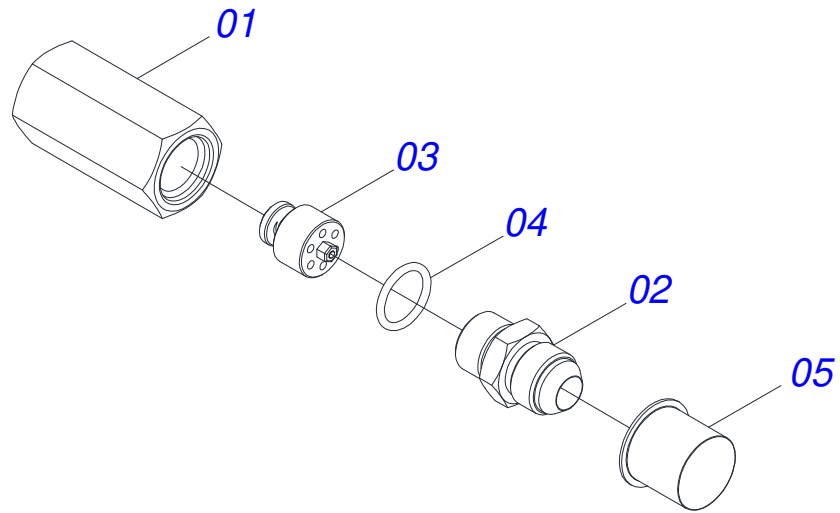


Item	Code	Description	See page	QT
01	0521068132	TURNBUCKLE		01
02	0502012822	101.60 END CAP		01
03	0503010817	1.1/4" SELF LOCKING NUT		01
04	0503010345	2-218 N 3006-9B O'RING		01
05	0503015633	SELEMASTER SEALING		01
06	0502012842	50,80 X 101,60 PISTON		01
07	0581010678	50,80 X 101 RING SUPPORT		01
08	0503015636	SCRAPER SEAL		01
09	0503018025	RING GUIDE		01
10	0503018026	1870-2000-375 B GASKET		01
11	0503010338	2-342 N 3006-9B O'RING		02
12	0503011061	8-342 BACK-UP RING		02
13	0521068134	CYLINDER CASE		01
14	0503010002	1800 GREASE FITTING		02
15	0503030387	PLUG		02

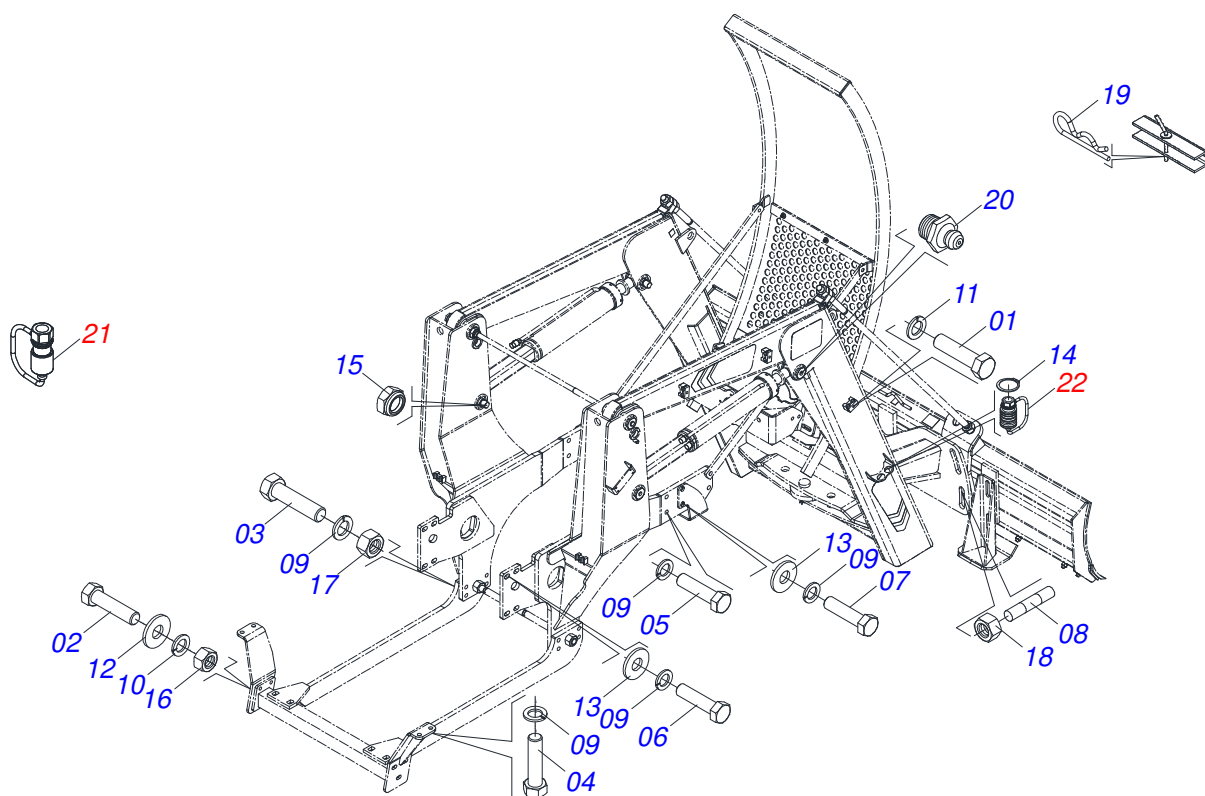




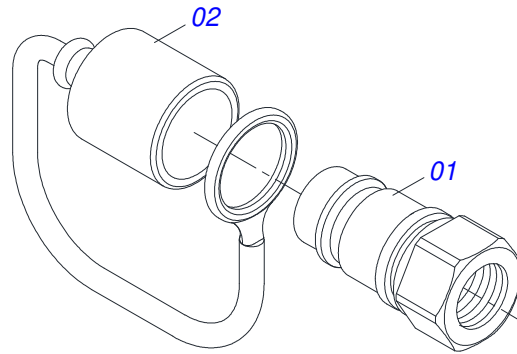
Item	Code	Description	See page	QT
01	0521068132	TURNBUCKLE		01
02	0502012822	101.60 END CAP		01
03	0503010817	1.1/4" SELF LOCKING NUT		01
04	0503010345	2-218 N 3006-9B O'RING		01
05	0503015633	SELEMASTER SEALING		01
06	0502012842	50,80 X 101,60 PISTON		01
07	0581010678	50,80 X 101 RING SUPPORT		01
08	0503015636	SCRAPER SEAL		01
09	0503018025	RING GUIDE		01
10	0503018026	1870-2000-375 B GASKET		01
11	0503010338	2-342 N 3006-9B O'RING		02
12	0503011061	8-342 BACK-UP RING		02
13	0521068133	CYLINDER CASE		01
14	0503010002	1800 GREASE FITTING		02
15	0503030387	PLUG		02



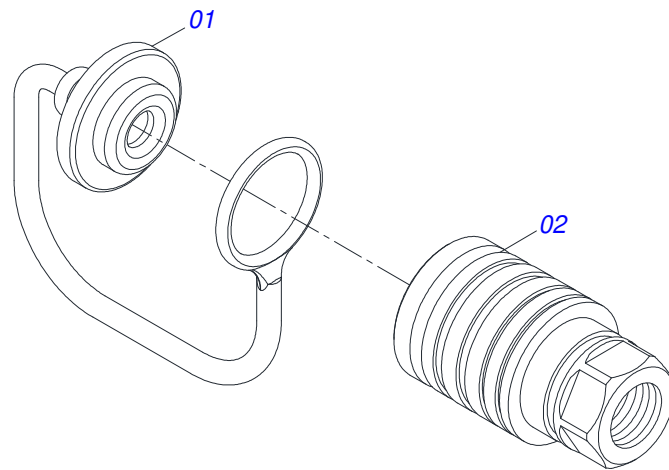
Item	Code	Description	See page	QT
01	0581014053	1/2 BSP X 7/8 UNF JIC X 64 ADAPTER		01
02	0581014052	1/2 BSP X 7/8 UNF JIC X 43 NIPLE		01
03	0503016854	SAFETY VALVE		01
04	0503010045	O'RING		01
05	0503030387	PLUG		01



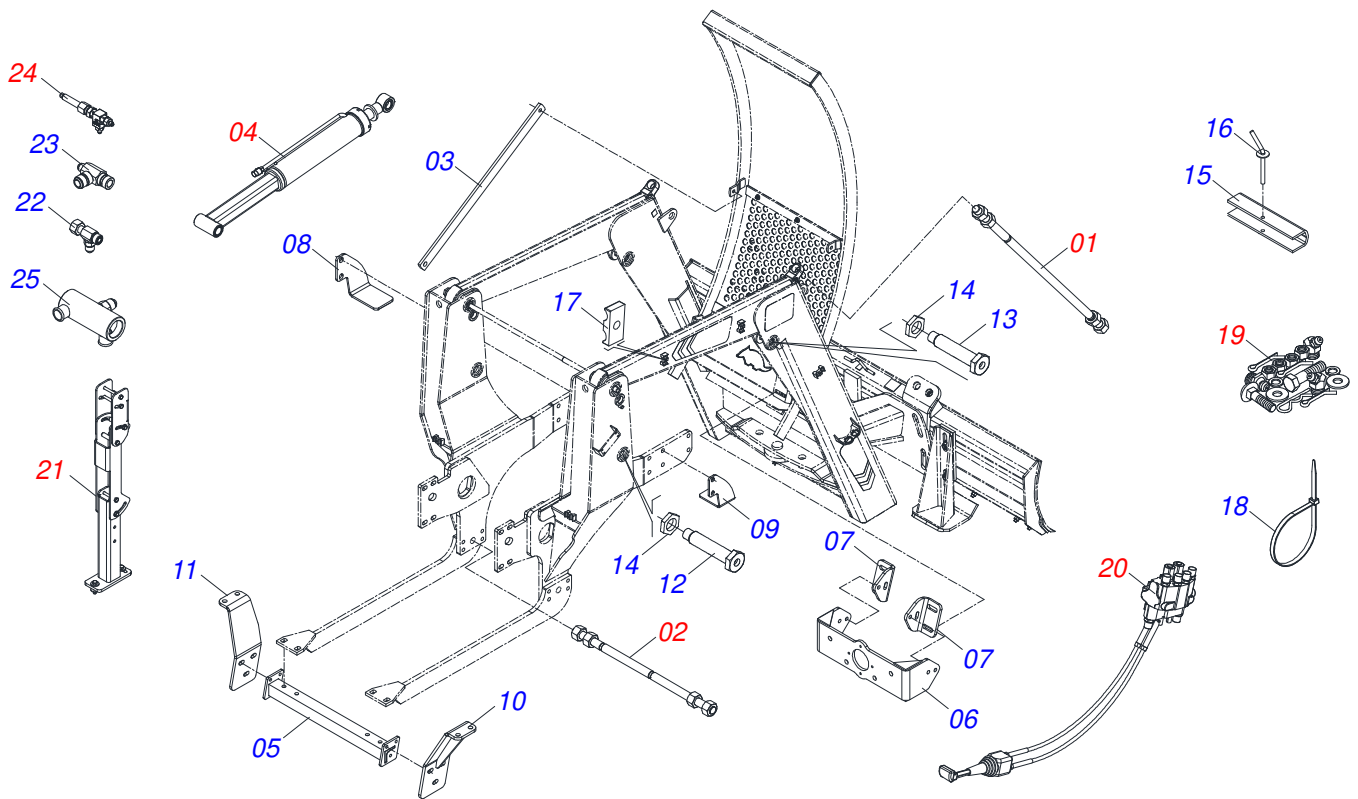
Item	Code	Description	See page	QT
01	0503011135	BOLT		05
02	0503010899	5/8 UNC X 2.1/4 BOLT		20
03	0503012334	3/4" UNC X 3.1/2" BOLT		08
04	0503013174	M20 X 2,5 X 40 C S 10.9 ZN BOLT		08
05	0503013111	M20 X 2,5 X 65 BOLT		06
06	0503013112	M20 X 2,5 X 70 BOLT		08
07	0503013104	M20 X 2,5 X 80 BOLT		06
08	0561016755	PRISONER 1 UNC X 1 UNC X 76 ZN		04
09	0503010023	3/4" SPRING WASHER		36
10	0503010027	5/8 SPRING WASHER		20
11	0503010180	7/16" SPRING WASHER		05
12	0501012140	FLAT WASHER		20
13	0501010322	FLAT WASHER		12
14	0503010217	501040 CLAMPING RING (FOR AXLE)		04
15	0503010044	1-1/4" SELF LOCKING NUT		06
16	0503010013	5/8 NUT		20
17	0503010014	3/4" HEX NUT		08
18	0501010059	1.5/8 NUT		04
19	0503030012	HITCH PIN CLIP		02
20	0503010002	1800 GREASE FITTING		06
21	0501053834	MALE QUICK COUPLER	17	04
22	0501053835	FEMALE QUICK COUPLER	18	02



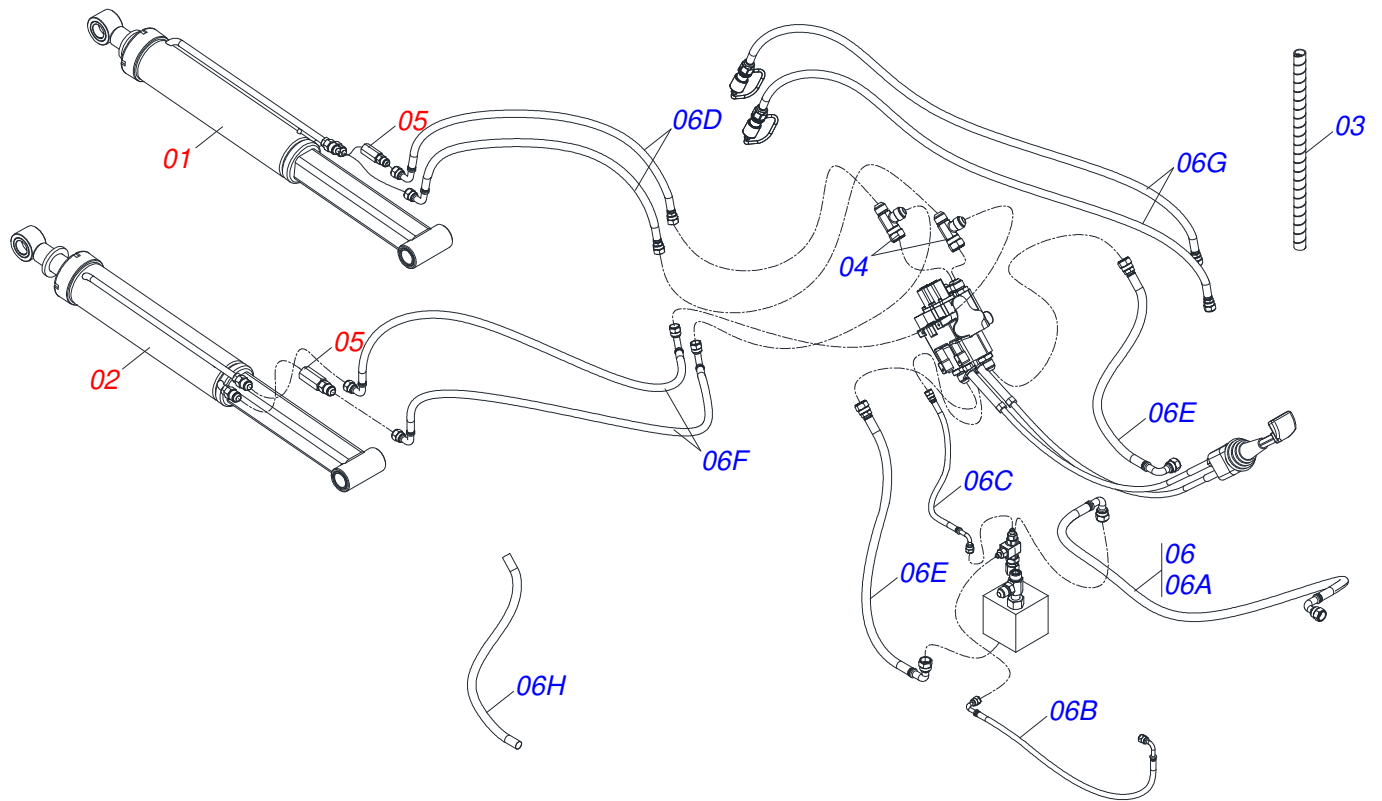
Item	Code	Description	See page	QT
01	0503011627	MALE QUICK COUPLER AGR 1/2 NPT		01
02	0503011882	MALE QUICK COUPLER CAP		01



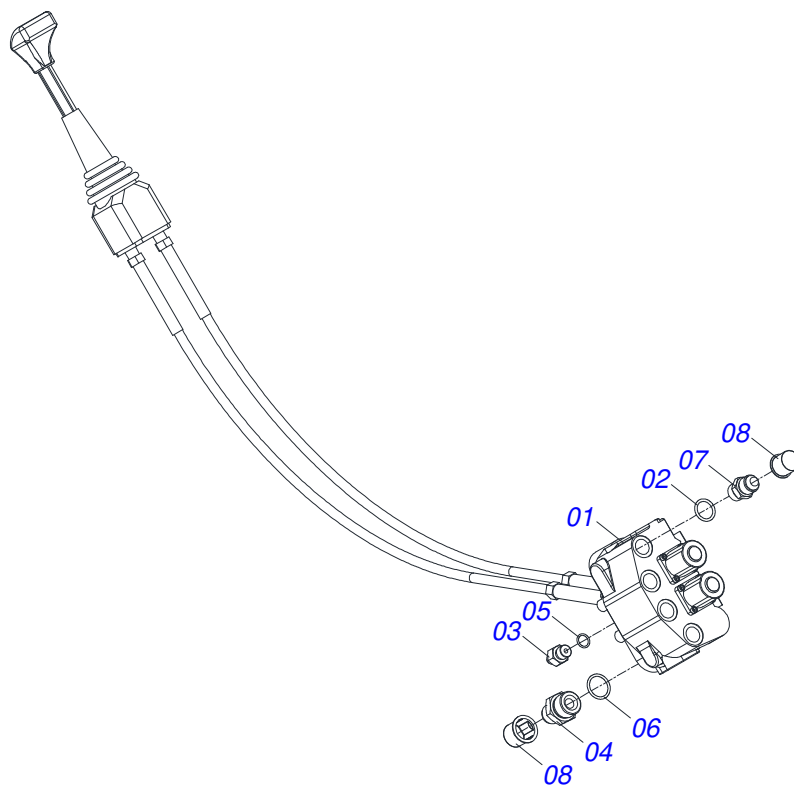
Item	Code	Description	See page	QT
01	0503011883	QUICK CONNECTION COVER		01
02	0503011628	FEMALE QUICK COUPLER		01



Item	Code	Description	See page	QT
01	0521044193	1.1/4 NC X 1810 FULL ROD	10	02
02	0521047554	ROD 1.1 / 4 NC 760 X 4 ASSY WITH NUT	11	01
03	0501010626	FRENCH HAND		02
04	0909096915	HYDRAULIC CIRCUIT	20	01
05	0521064886	FRAME FIXER SUPORT		01
06	0521064897	PUMP SUPPORT		01
07	0571014003	FASTENING BRACKET OF THE HIGH GUIDE		02
08	0521064881	LEFT BEATER		01
09	0521064882	RIGHT BEATER		01
10	0521064884	RH SUPPORT		01
11	0521064883	SAPATA ESQ DIFER		01
12	0581015228	BOLT		04
13	0581015007	BOLT 1.1/4 UNF X 103		02
14	0501216423	WASHER HEX 37,8 X 58 X 9,50		06
15	0531017238	LOCK TRANSPORT		02
16	0501068994	8,30 X 78 LOCK PIN		02
17	0502010477	HOSE CLAMP		04
18	0503013527	CLAMP ZIPER		10
19	0511034824	PACKAGED PARTS	24	01
20	0521047929	HYDRAULIC COMMAND 1/2 1,5 M	21	01
21	0531044005	JOYSTICK SUPPORT ASSEMBLY	22	01
22	0521068067	ADAPTER WITH ROTATING NUT		01
23	0531066426	1 R7/8UNF X 96,50 HOSE T ADAPTER		01
24	0521048404	CONNECTION	23	01
25	0531065761	RETURN DUCT		01

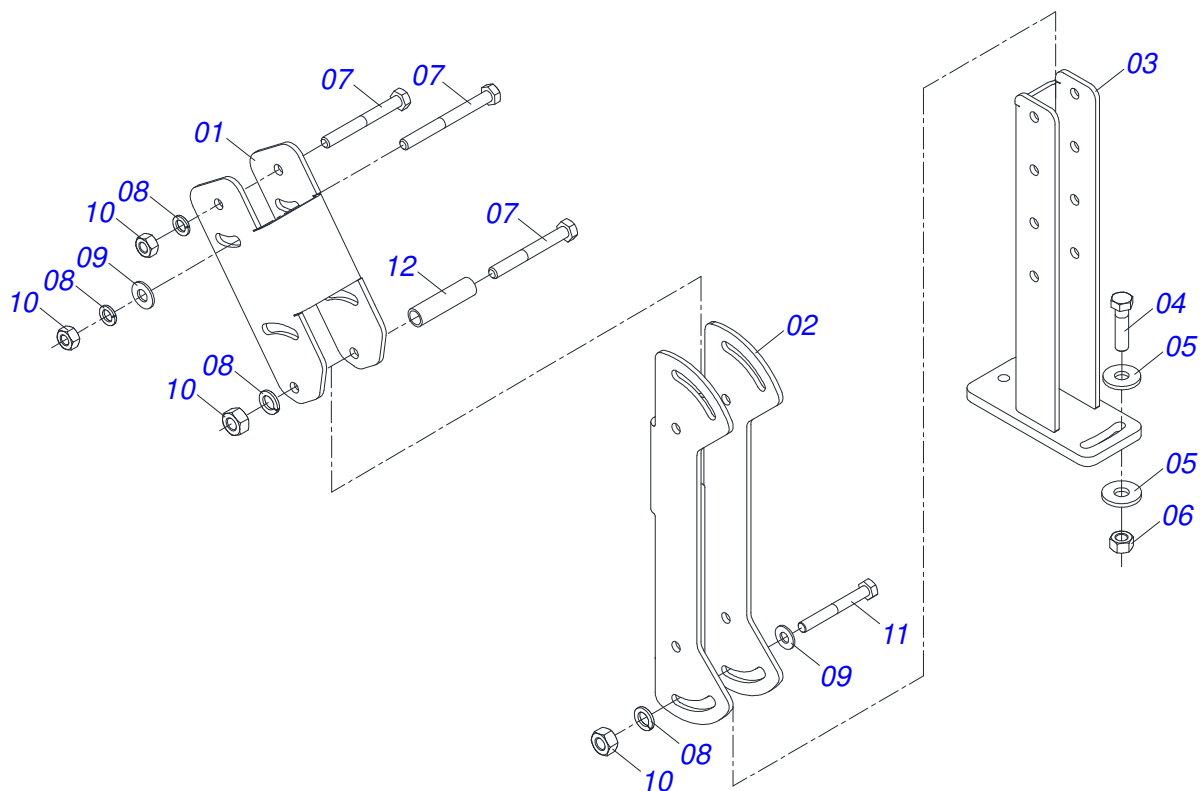


Item	Code	Description	See page	QT
01	0521051770	HYDRAULIC CYLINDER	13	01
02	0521051768	HYDRAULIC CYLINDER	14	01
03	0581010090	SPRING PROTECTION PLASTIC HOSE		04
04	0503062177	7/8 (V.C) T-ADAPTER WITH NUT		02
05	0511054457	ASSY SAFETY VALVE	15	02
06	0541052651	HOSE SET		01
06A	0501081043	HOSE 1/4 X 200 TC-TR		01
06B	0501082137	1/4 X 900 TC-TC HOSE		01
06C	0501081044	1/4 X 1500 TR-TC HOSE		01
06D	0501080010	1/2 X 1000 TR-TC HOSE		02
06E	0501080272	1/2" X 106" TR-TC HOSE		02
06F	0501081407	1/2 X 3100 TR-TC HOSE		02
06G	0501080959	1/2 X 3400 HOSE		02
06H	0501010610	1 X 800 AB-AB HOSE		01

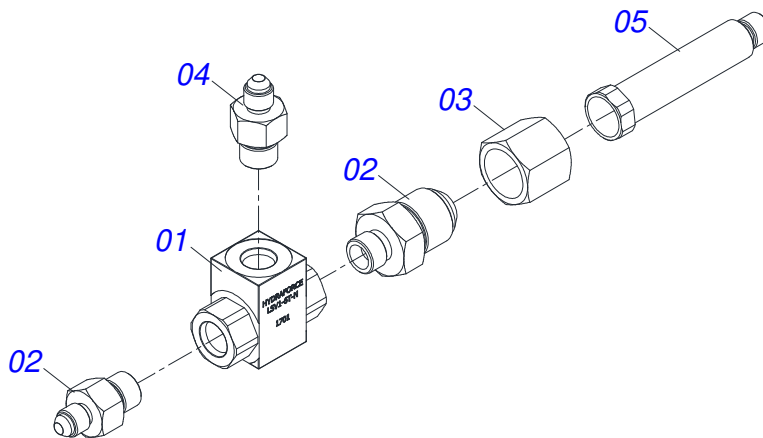


Item	Code	Description	See page	QT
01	0503062661	COMPLETE COMMAND - DLM142		01
02	0503010045	O'RING		04
03	0571012091	9/16 UNF X 7/16 UNF NIPLLE		01
04	0511018014	7/8 NF X 1.1/16 UN NIPLLE		02
05	0503011030	2-014 N 3006-9B O'RING		01
06	0503011109	2-119 N 3006-9B O'RING		02
07	0501010590	NIPLLE		04
08	0503030387	PLUG		06

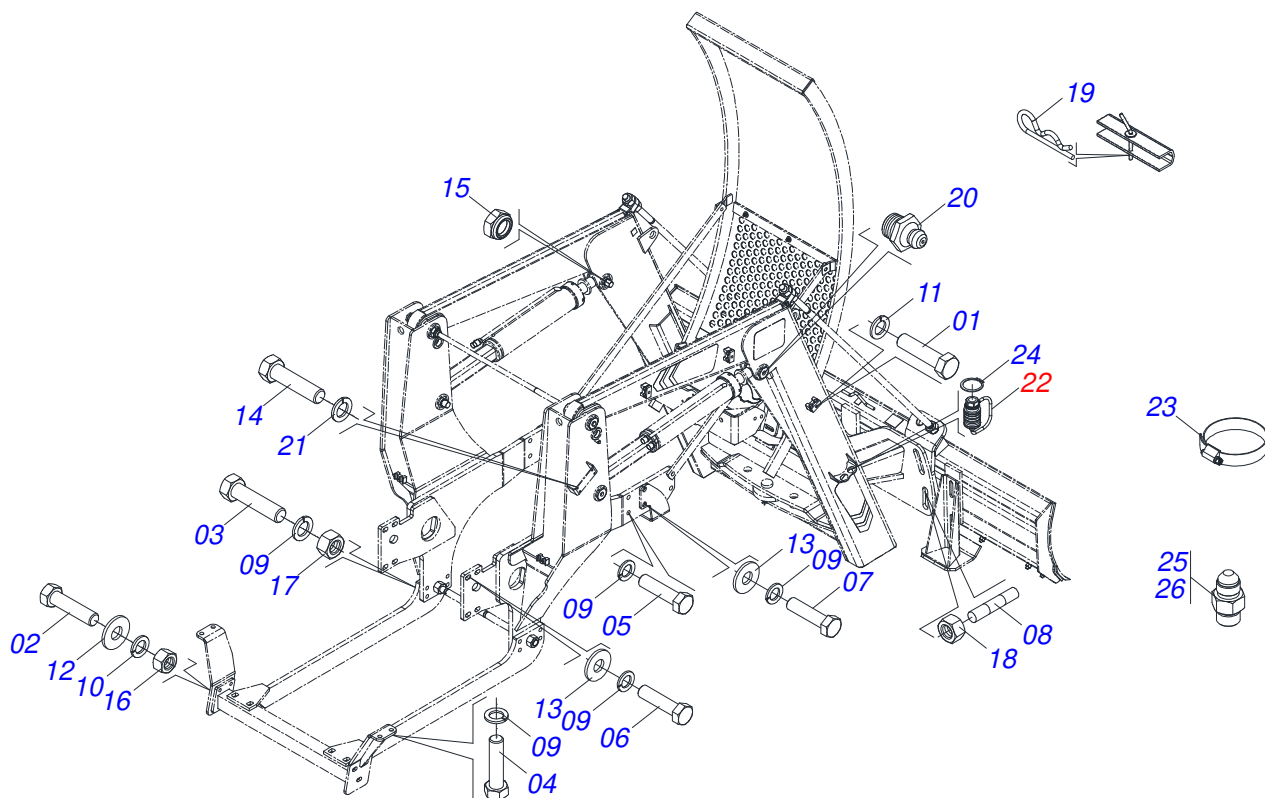




Item	Code	Description	See page	QT
01	0501217764	UPPER BODY JOYSTICK SUPPORT		01
02	0501217765	CENTRAL BODY JOYSTICK SUPPORT		01
03	0531065170	JOYSTICK BOTTOM SUPPORT		01
04	0503010849	3/8" X 1-1/2" BOLT		02
05	0501010984	10,50 X 27 X 3,00 FLAT WASHER		04
06	0503010026	3/8" NUT		02
07	0503010848	5/16" X 3.1/2" BOLT		04
08	0503010179	LOCK WASHER 5/16 ZN 1K01528		06
09	0501010694	FLAT WASHER		06
10	0503010337	5/16" NUT		06
11	0503011053	5/16" X 3" C S 6.5 ZN BOLT		02
12	0541015551	0.39" X 0.512" X 1.9" SLEEVE		02



Item	Code	Description	See page	QT
01	0503018955	LSV1 LOAD SHUTTLE VALVE		01
02	0531013708	7/8 UNF X R 9/16 UNF X 45 NIPPLE		01
03	0501011479	7/8" UNF ROTATIVE NUT		01
04	0571012091	9/16 UNF X 7/16 UNF NIPL		02
05	0581017980	ADAPTER		01



Item	Code	Description	See page	QT
01	0503011135	BOLT		04
02	0503010899	5/8 UNC X 2.1/4 BOLT		20
03	0503012334	3/4" UNC X 3.1/2" BOLT		08
04	0503013174	M20 X 2,5 X 40 C S 10.9 ZN BOLT		08
05	0503013111	M20 X 2,5 X 65 BOLT		06
06	0503013112	M20 X 2,5 X 70 BOLT		08
07	0503013104	M20 X 2,5 X 80 BOLT		06
08	0561016755	PRISONER 1 UNC X 1 UNC X 76 ZN		04
09	0503010023	3/4" SPRING WASHER		36
10	0503010027	5/8 SPRING WASHER		20
11	0503010180	7/16" SPRING WASHER		04
12	0501012140	FLAT WASHER		20
13	0501010322	FLAT WASHER		12
14	0503016506	5/16 UNC X 3/4 C S G.5 ZN BOLT		04
15	0503010044	1-1/4" SELF LOCKING NUT		06
16	0503010013	5/8 NUT		20
17	0503010014	3/4" HEX NUT		08
18	0501010059	1.5/8 NUT		04
19	0503030012	HITCH PIN CLIP		02
20	0503010002	1800 GREASE FITTING		06
21	0503010179	LOCK WASHER 5/16 ZN 1K01528		04
22	0501053835	FEMALE QUICK COUPLER	18	02
23	0503010243	CLAMP		06
24	0503010217	501040 CLAMPING RING (FOR AXLE)		04
25	0571012091	9/16 UNF X 7/16 UNF NIPLE		02
26	0581015014	NIPLE 7/16 UNF JIC X 7/16 UNF X 37		01





**MARCHESAN**

**Technical Publications | Elaboration and Revision**

LORENA ROCHA ALVES

[www.marchesan.com.br](http://www.marchesan.com.br)

