

OFFSET DISK HARROW

**GAICR 300 - 16/18/20/22/24/26/28/30D - AXLE 2.1/8”
– DOUBLE WHEEL**

**GAICR 300 - 16/18/20/22/24/26/28/30D - EIXO 2.1/8” –
RODADO DUPLO**

Code: 0501093702

Series: S-0923

Revision: 00

Revision Date: JUNE/2024

PARTS CATALOGUE



MARCHESAN



PRODUCTS

Code	Working Width	Description
0102460317		GAICR 300 16X30X7,50 DR DMO E 2.1/8RD DUPLO S-0923
0102460320		GAICR 300 18X28X7,50 DR DMO E 2.1/8RD DUPLO S-0923
0102460321		GAICR 300 18X30X7,50 DR DMO E 2.1/8RD DUPLO S-0923
0102460327		GAICR 300 20X30X7,50 DR DMO E 2.1/8RD DUPLO S-0923
0102460326		GAICR 300 22X30X7,50 DR DMO E 2.1/8RD DUPLO S-0923
0102460325		GAICR 300 24X30X7,50 DR DMO E 2.1/8RD DUPLO S-0923
0102460324		GAICR 300 26X30X7,50 DR DMO E 2.1/8RD DUPLO S-0923
0102460323		GAICR 300 28X30X7,50 DR DMO E 2.1/8RD DUPLO S-0923
0102460328		GAICR 300 30X28X7,50 DR DMO E 2.1/8RD DUPLO S-0923
0102460322		GAICR 300 30X30X7,50 DR DMO E 2.1/8RD DUPLO S-0923

ATTENTION: IMPORTANT

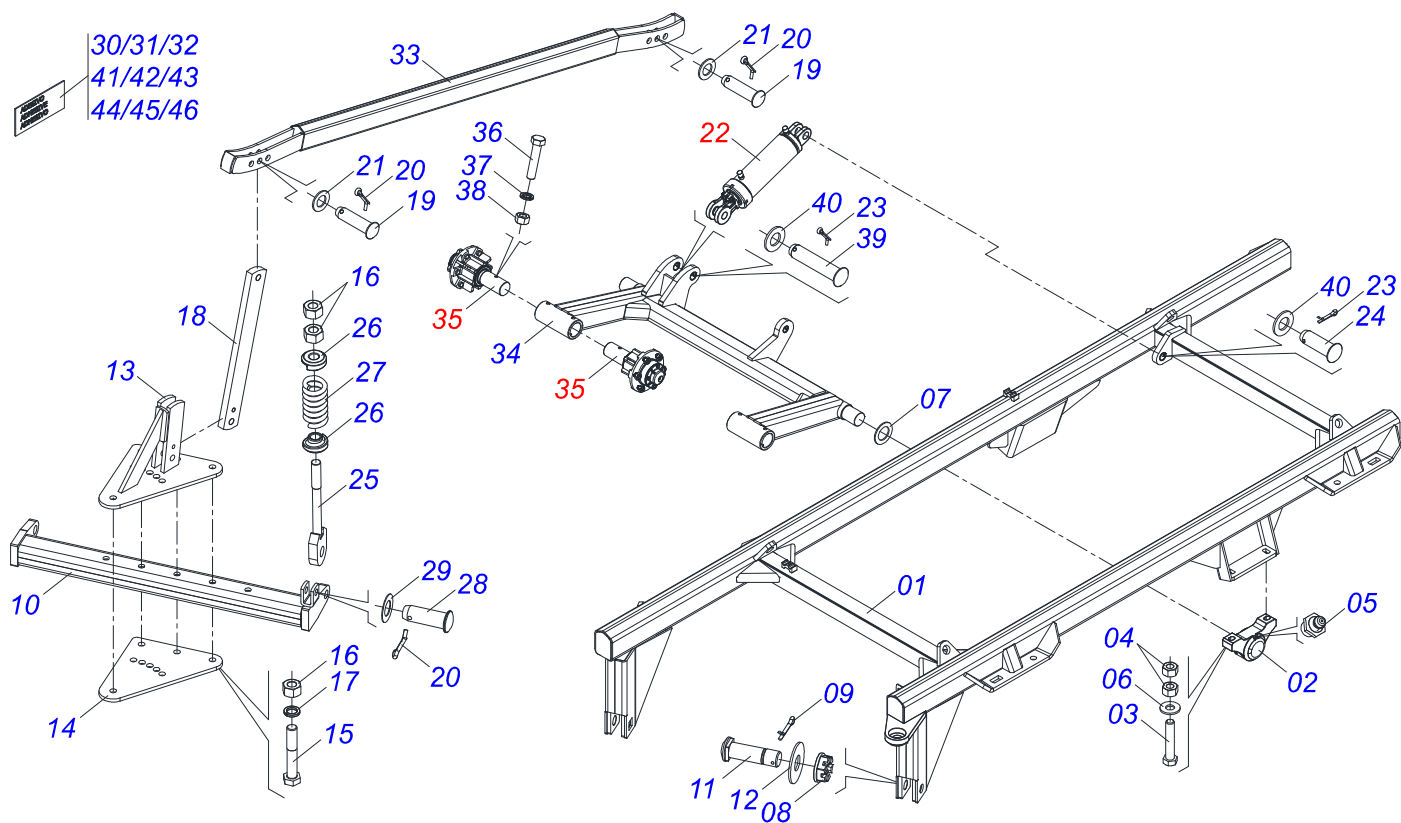
Marchesan S.A. reserves the right to improve and/or modify the technical features of its products, without obligation to do the same with those products already sold and without prior knowledge of the dealer or the customer. The photos are only illustrative.



MARCHESAN

INDEX

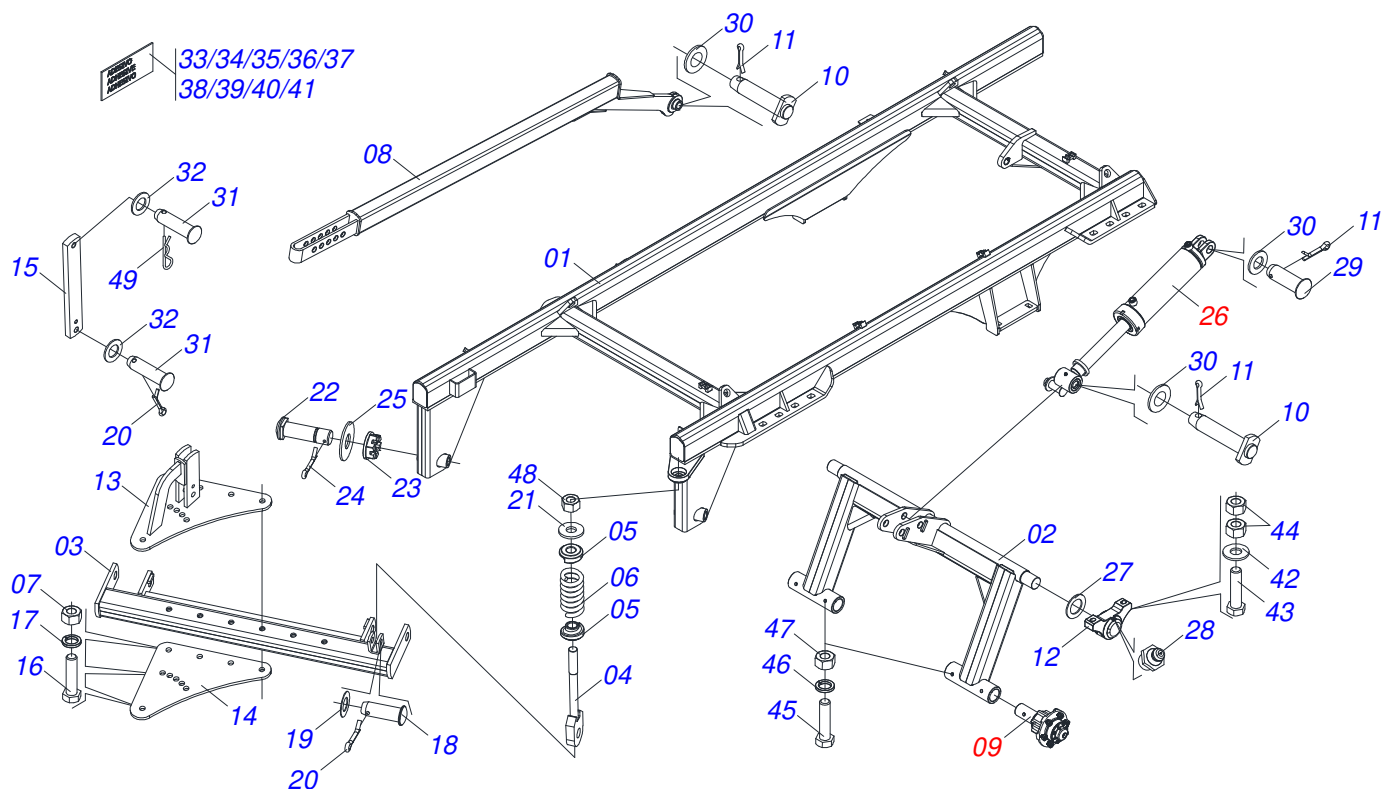
0909097236	ASSY FRAME - 16/18/20/22/24/26/28/30	1
0521045307	FRAME ASSY - 16/18	2
0521049104	FRAME ASSY - 20/22/24/26/28/30	3
0511059180	HYDRAULIC CYLINDER 50,80 X 101,60 X 515 X 203	4
0501054931	STUB SHAFT & HUB	5
0501051142	CARRYING WHEEL HUB	6
0511050166	50,80 X 101,60 X 561 X 251 HYDRAULIC CYLINDER	7
0521048502	TRACTION BAR ASSY	8
0521057520	HITCH ASSY	9
0503062157	DRAWBAR JACK	10
0521055904	MANUAL STORAGE TUBE ASSY	11
0501040257	3/4" X 38" HOSE SUPPORT ASSY	12
0503060091	L 29.5" X 0.63"-10L WHEEL AND TIRE ASSY	13
0501053834	MALE QUICK COUPLER	14
0909097237	DISC GANG ASSY	15
0531045460	AGRICULTURAL BEARING DMO 292 X 2.1/8 WITH SUPPORT	16
0541052221	AGRICULTURAL BEARING DMO 292 X 2.1/8	17



Item	Code	Description	See page	QT
01	0501065574	FRAME		01
02	0501110856	ARTICULATION BEARING		02
03	0503010797	3/4" X 4" BOLT		04
04	0503010014	3/4" ZN G.5 (HEAVY) UNC HEX NUT		08
05	0503010002	1800 GREASE FITTING		02
06	0501010322	20,50 X 46 X 4,00 ZN FLAT WASHER		04
07	0501017579	FLAT WASHER		02
08	0501011301	1.1/2" UNC 6FPP 2.5/16" NUT		02
09	0503010010	1/4" X 2.1/2" SPLIT PIN		02
10	0501066262	OFFSET BAR		01
11	0521017538	11-1/2" X 5" COUPLING SHAFT		02
12	0511019880	FLAT WASHER		02
13	0501066235	UPPER PLATE WITH SUPPORT		01
14	0511013000	UPPER /LOWER PLATE		01
15	0501010334	1" X 7" BOLT		05
16	0501010059	1.5/8 NUT		07
17	0503011438	SPRING WASHER		05
18	0511012972	STABILIZER BAR TOWER		01
19	0521010576	0.9" X 3.7" COUPLING SHAFT		03
20	0503010571	1/4" X 1.1/2" SPLIT PIN		04
21	0501011445	FLAT WASHER		03
22	0511059180	HYDRAULIC CYLINDER 50,80 X 101,60 X 515 X 203	4	01
23	0503010523	1/4 X 2 SPLIT PIN		02
24	0521010779	31.75 X 95 COUPLING SHAFT		01
25	0501064698	SPRING ROD		01
26	1902020392	SPRING SUPPORT		02
27	0503030441	12.7" X 5.7" X 0.5" SPRING		01
28	0521010592	1.1" X 3.1" COUPLING SHAFT		01
29	0561011883	FLAT WASHER		01
30	0503031827	DAILY LUBRICATION AND RETIGHTENING DECAL		01
31	0503031428	ATTENTION READ MANUAL DECAL		01
32	0503031087	AUTO CONTROL APPROVED DECAL		01



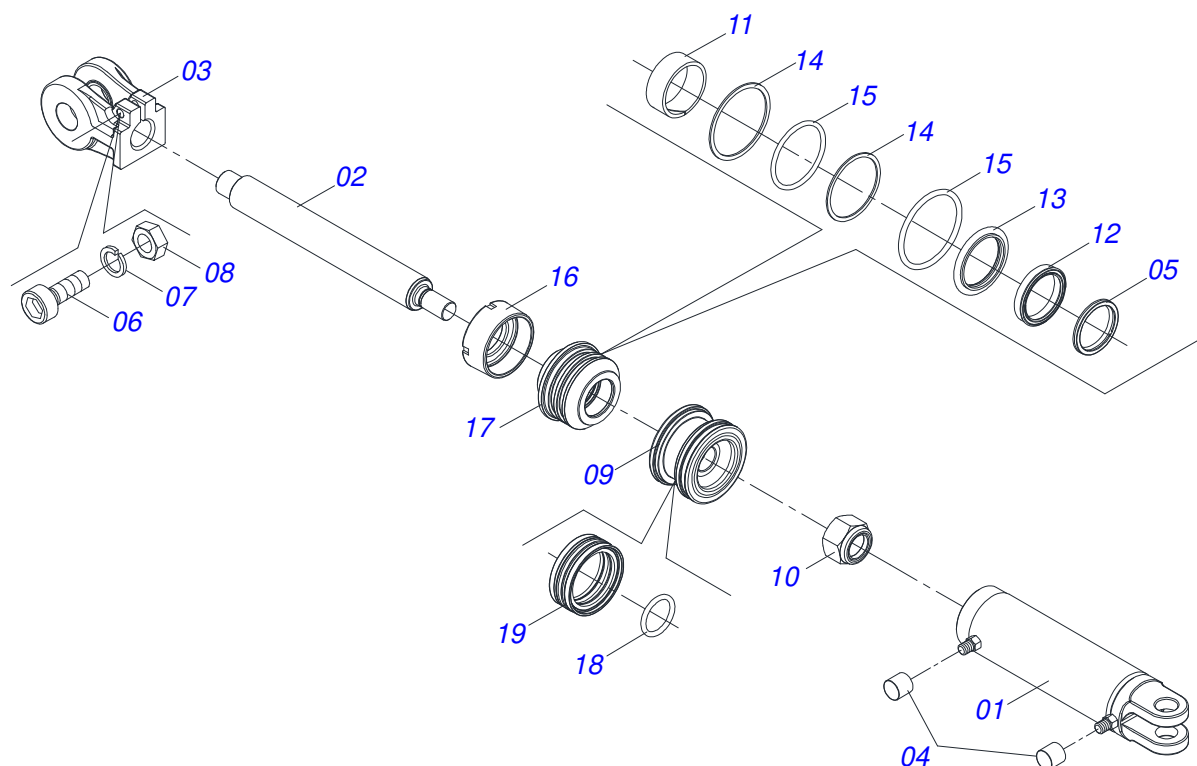
Item	Code	Description	See page	QT
33	0511066932	STABILIZER BAR		01
34	0511065084	CARRYING-WHEELS SUPPORT		01
35	0501054931	STUB SHAFT & HUB	5	04
36	0503010547	1/2" X 4" BOLT		04
37	0503011440	SPRING WASHER		04
38	0503010060	1/2 UNC G.5 ZN HEX NUT		04
39	0511010174	1.2" X 5.9" COUPLING SHAFT		01
40	0501017779	FLAT WASHER 32 X 60 X 4,75		02
41	0503034499	HOSE IDENTIFICATION DECAL		01
42	0503034078	LIFTING POINTS DECAL		04
43	0503060824	GAICR 300 DECAL ASSY		01
44	0503033038	DANGER DECAL		01
45	0503031738	WARNING DECAL		01
46	0503031739	DANGER DECAL		01



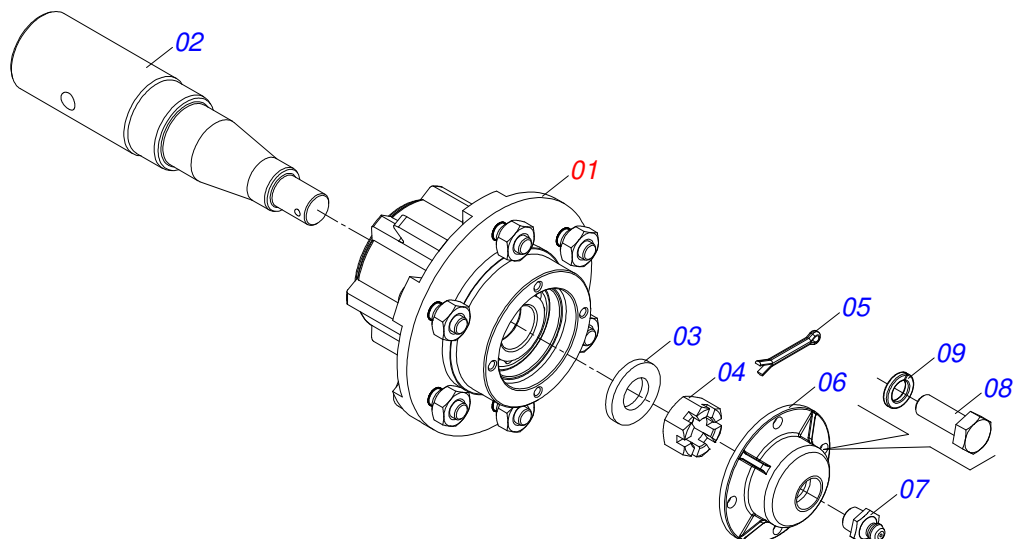
Item	Code	Description	See page	QT
01	0521069680	FRAME		01
02	0521069679	600 X 1400 WHEEL		01
03	0521062532	CONNECTION BAR 1324		01
04	0501064698	SPRING ROD		01
05	1902020393	SPRING UPPER SUPPORT		02
06	0503030441	12.7" X 5.7" X 0.5"SPRING		01
07	0501010059	1.5/8 NUT		06
08	0521069682	STABILIZING BAR 2590		01
09	0501054931	STUB SHAFT & HUB	5	04
10	0521069685	AXLE JUNCTION 31.75 X 137		02
11	0503010523	1/4 X 2 SPLIT PIN		03
12	0501110856	ARTICULATION BEARING		02
13	0521069686	TOP PLATE WITH SUPPORT		01
14	0521069137	LOWER PLATE FIXING BAR TRACTION		01
15	0581019738	STABILIZING BAR TOWER 650		01
16	0501010334	1" X 7" BOLT		06
17	0503011438	SPRING WASHER		06
18	0521010592	1.1" X 3.1" COUPLING SHAFT		01
19	0561011883	FLAT WASHER		01
20	0503010571	1/4" X 1.1/2" SPLIT PIN		02
21	0531016049	FLAT WASHER 27 X 52 X 4,75 ZN		01
22	0531019497	1.5" X 9.2" ARTICULATED AXIS		02
23	0501011301	1.1/2" UNC 6FPP 2.5/16" NUT		02
24	0503010010	1/4" X 2.1/2" SPLIT PIN		02
25	0551012215	FLAT WASHER		02
26	0511050166	50,80 X 101,60 X 561 X 251 HYDRAULIC CYLINDER	7	01
27	0501017579	FLAT WASHER		02
28	0503010002	1800 GREASE FITTING		05
29	0521010779	31.75 X 95 COUPLING SHAFT		01
30	0501017779	FLAT WASHER 32 X 60 X 4,75		03
31	0521010576	0.9" X 3.7" COUPLING SHAFT		02
32	0501011445	FLAT WASHER		02



Item	Code	Description	See page	QT
33	0503031428	ATTENTION READ MANUAL DECAL		01
34	0503031087	AUTO CONTROL APPROVED DECAL		01
35	0503031827	DAILY LUBRICATION AND RETIGHTENING DECAL		01
36	0503060824	GAICR 300 DECAL ASSY		01
37	0503034499	HOSE IDENTIFICATION DECAL		01
38	0503034078	LIFTING POINTS DECAL		04
39	0503033038	DANGER DECAL		01
40	0503031738	WARNING DECAL		01
41	0503031739	DANGER DECAL		01
42	0501010322	20,50 X 46 X 4,00 ZN FLAT WASHER		04
43	0503011246	3/4" X 3-1/2" BOLT		04
44	0503011075	3/4 UNC LOCK NUT		04
45	0503010706	BOLT 1/2 UNC X 4.1/2 C S G.5 ZN		04
46	0521014188	FLAT WASHER		04
47	0503010589	1/2" UNC SELF ADJUSTING NUT		04
48	0503018754	NUT 1 - 8 UNC - 2B G8		01
49	0503031035	HITCH PIN CLIP		01

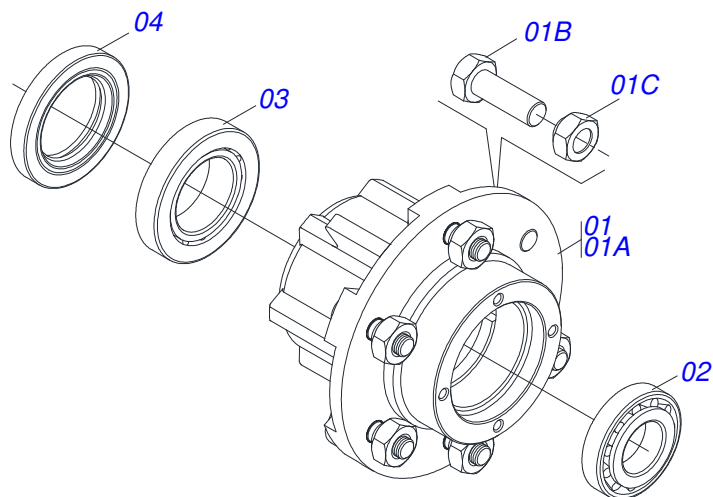


Item	Code	Description	See page	QT
01	0511070658	CYLINDER CASE		01
02	0571019958	HYDRAULIC CYLINDER TURNBUCKLE		01
03	0502040747	32.54 CLEVIS CLAMP		01
04	0503030385	CYLINDER PLUG N-002		02
05	0503010039	D-2000 SCRAPER RING		01
06	0503011094	BOLT 3/8" UNC X 2" C C S I 12.9		01
07	0503011443	SPRING WASHER 3/8"		01
08	0503010026	3/8" NUT		01
09	0502012820	2" X 4" PISTON		01
10	0503010817	1.1/4" SELF LOCKING NUT		01
11	0503018025	RING GUIDE W2-2250-750		01
12	0503018026	GASKET 1870-2000-375 B POLYMAX		01
13	0503018024	RING BS OD050805200171D-BR		01
14	0503010338	2-342 N 3006-9B O'RING		02
15	0503011061	8-342 BACK-UP RING		02
16	0502012822	END CAP 4"		01
17	0502012821	2" X 4" RING SUPPORT		01
18	0503018029	O'RING 2-217 N 3006 90B		01
19	0503015633	SELEMASTER SEALING		01

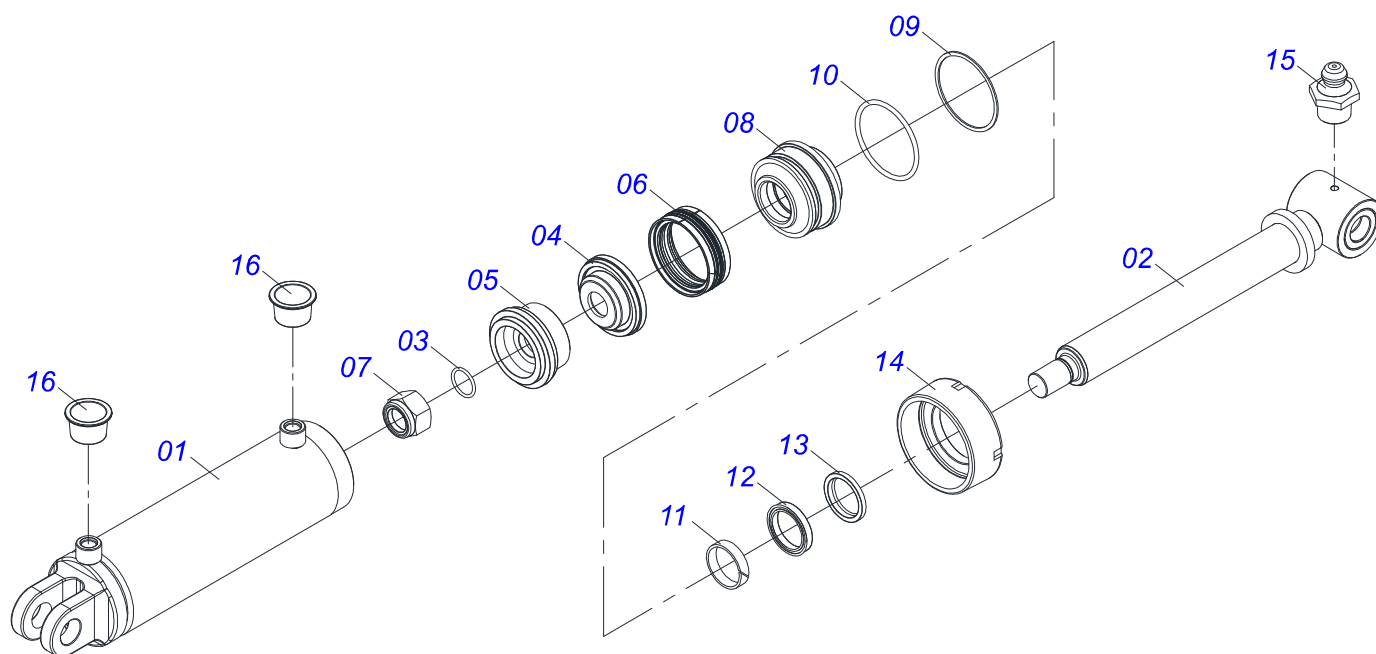


Item	Code	Description	See page	QT
01	0501051142	CARRYING WHEEL HUB	6	01
02	0541010739	2.5" X 12.2" AXLE		01
03	0501016545	FLAT WASHER		01
04	0503030009	1" CASTLE NUT		01
05	0503010018	5/32" X 1-1/2" SPLIT PIN		01
06	0502020591	PROTECTION LID		01
07	0503010002	1800 GREASE FITTING		01
08	0503010358	5/16" X 5/8" BOLT		04
09	0503011444	SPRING WASHER 5/16"		04

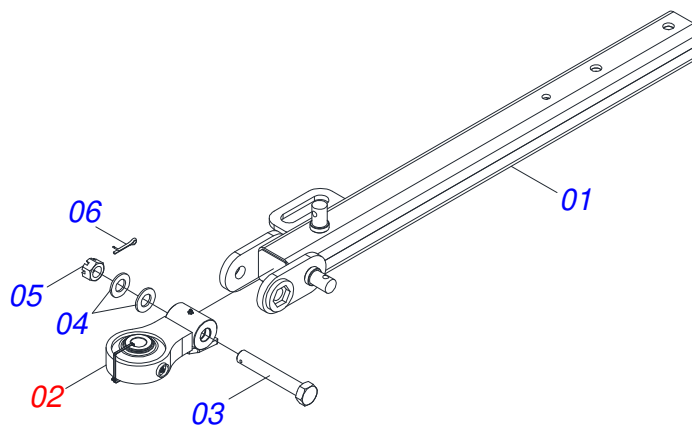
CARRYING WHEEL HUB



Item	Code	Description	See page	QT
01	0501110728	WHEEL HUB		01
01A	0502011121	CARRYING WHEEL HUB		01
01B	0501010127	9/16" X 1-7/8" LUG BOLT		06
01C	0503010035	9/16" CONIC NUT		06
02	0503010037	30207 ROLLER BEARING		01
03	0503010006	32210 ROLLER BEARING		01
04	0503012928	SEAL		01

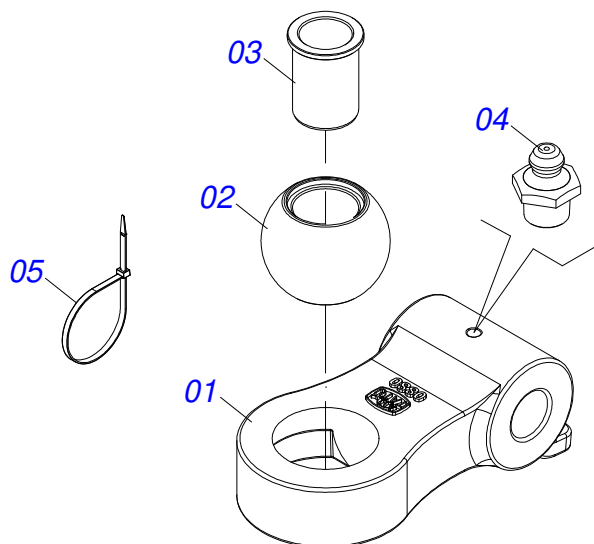


Item	Code	Description	See page	QT
01	0511066220	101,60 X 369 CYLINDER CASE		01
02	0511067445	50,8 X 452,5 EXTENDER		01
03	0503010345	2-218 N 3006-9B O'RING		01
04	0561016389	PISTON BODY		01
05	0561016387	PISTON BODY		01
06	0503015633	SELEMASTER SEALING		01
07	0503010817	1.1/4" SELF LOCKING NUT		01
08	0502012642	SUPPORT OF THE RINGS		01
09	0503011061	8-342 BACK-UP RING		01
10	0503010338	2-342 N 3006-9B O'RING		01
11	0503015634	RING SLYDRING		01
12	0503015635	U-CUP SEAL		01
13	0503015636	SCRAPER SEAL		01
14	0502010017	4" LID		01
15	0503010002	1800 GREASE FITTING		01
16	0503030384	PLUG N-001		02
17	0501039361R	REPAIR KIT		01



Item	Code	Description	See page	QT
01	0521069165	DRAWBAR		01
02	0521057520	HITCH ASSY	9	01
03	0581015973	1.1/4 UNC X 8 C S G5 SCREW		01
04	0501017779	FLAT WASHER 32 X 60 X 4,75		02
05	0503013026	1.1/4" CASTLE NUT		01
06	0503010010	1/4" X 2.1/2" SPLIT PIN		01

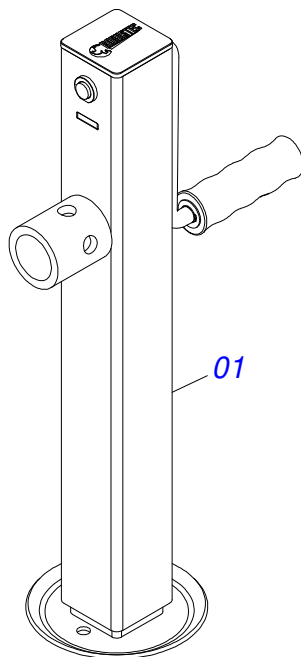
HITCH ASSY



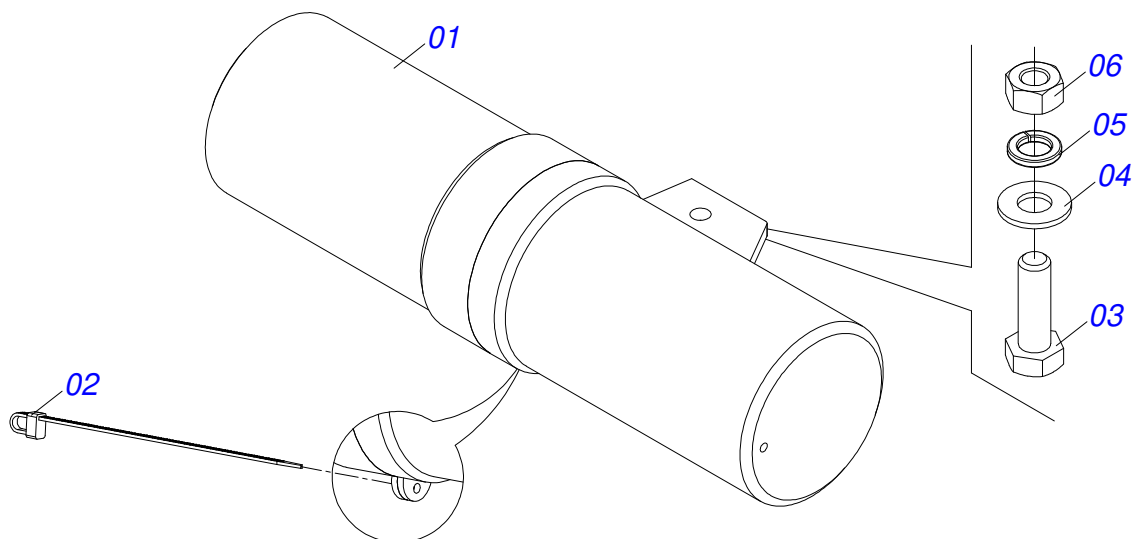
Item	Code	Description	See page	QT
01	0502040880	HITCH BODY		01
02	0502040885	BODY ATTACHMENT		01
03	0591012511	SLEEVE		01
04	0503010002	1800 GREASE FITTING		01
05	0503018829	NYLON CLAMP 7,8 X 1,8 X 390 MM		01

DRAWBAR JACK

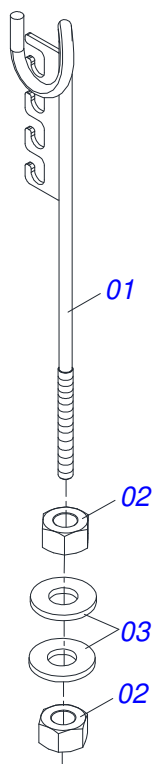
0503062157



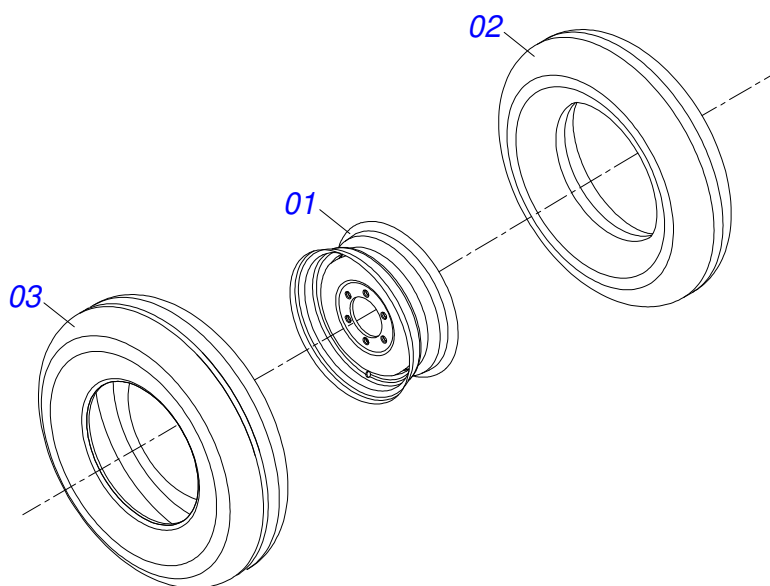
Item	Code	Description	See page	QT
01	0503062157	DRAWBAR JACK	10	01



Item	Code	Description	See page	QT
01	0503060100	SUPPORT INSTRUCTION MANUAL		01
02	0503010267	NYLON CLAMP 3,60 X 1,3 X 155 MM		01
03	0503010363	BOLT 5/16 UNC X 1 C S G.2 ZN		01
04	0501010694	FLAT WASHER 32,50 X 75 X 4,75		01
05	0503010179	LOCK WASHER 5/16 ZN 1K01528		01
06	0503010337	NUT 5/16 UNC G.5 ZN		01

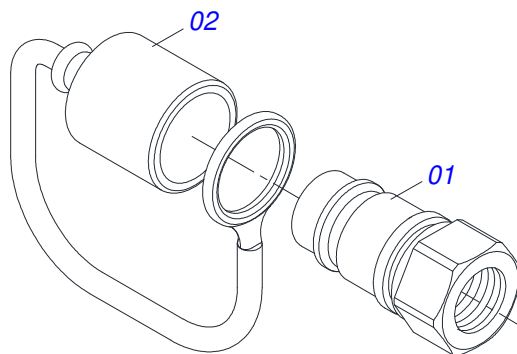


Item	Code	Description	See page	QT
01	0511067334	HOSE SUPPORT		01
02	0503010014	3/4" ZN G.5 (HEAVY) UNC HEX NUT		02
03	0501010322	20,50 X 46 X 4,00 ZN FLAT WASHER		02



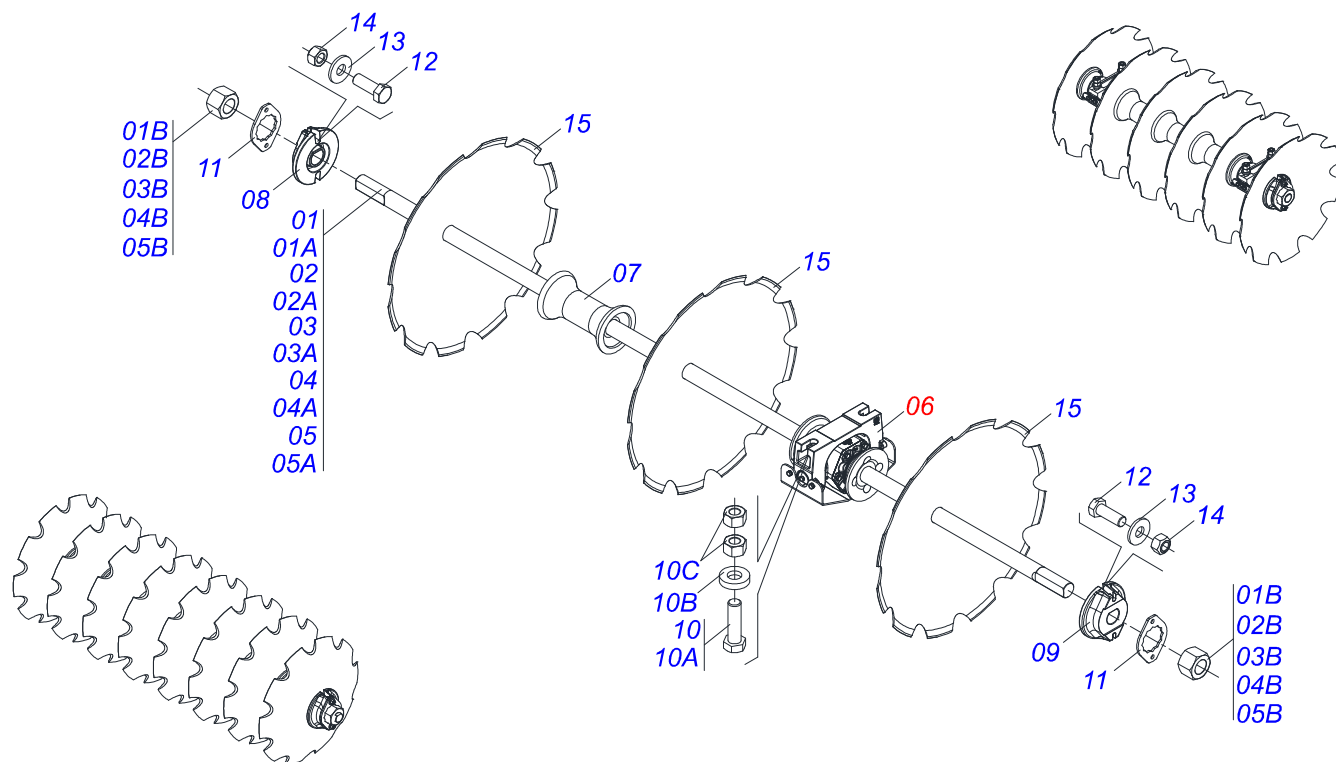
Item	Code	Description	See page	QT
01	0503010893	WHEEL		01
02	0503010033	7.50 X 16 INNER TIRE		01
03	0503010120	CANVAS TIRE		01

MALE QUICK COUPLER

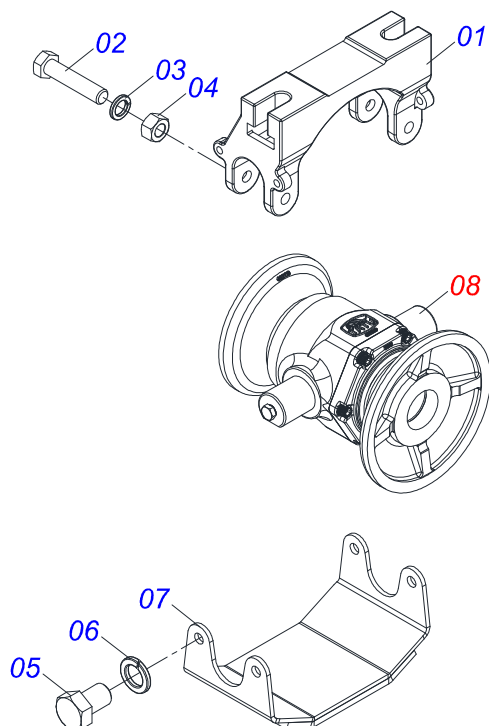


Item	Code	Description	See page	QT
01	0503011627	MALE QUICK COUPLER AGR 1/2 NPT		01
02	0503011882	MALE QUICK COUPLER CAP		01

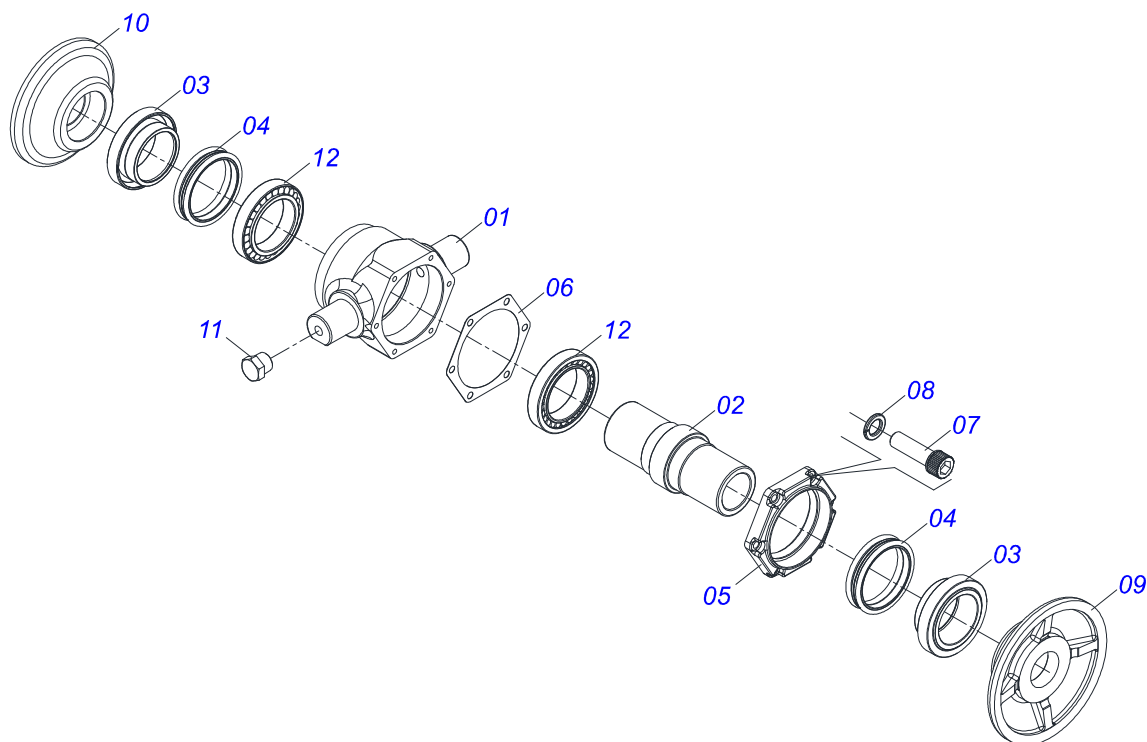
DISC GANG ASSY



Item	Code	Description	See page	16	18	20	22	24	26	28	30
01	0501059883	2.1/8 X 2320 AXIS WITH NUTS	02	00	00	00	00	00	00	00	00
01A	0561016052	2.1/8 X 2320 AXLE	01	00	00	00	00	00	00	00	00
01B	0502040063	2-1/8" X 54 99 NUT	02	00	00	00	00	00	00	00	00
02	0521049374	AXLE 2.1/8 X 1124 WITH NUTS	00	02	00	00	00	00	00	00	00
02A	0591010512	AXIS 2.1/8 X 1124	00	01	00	00	00	00	00	00	00
02B	0502040063	2-1/8" X 54 99 NUT	00	02	00	00	00	00	00	00	00
03	0511050665	2-1/8" X 1424 AXLE WITH NUTS	00	02	04	02	00	00	00	00	06
03A	0561015983	2-1/8" X 1424 AXLE	00	01	01	01	00	00	00	00	01
03B	0502040063	2-1/8" X 54 99 NUT	00	02	02	02	00	00	00	00	02
04	0501059852	2-1/8 X 1722 AXLE WITH NUTS	00	00	00	02	04	02	00	00	00
04A	0561015943	2-1/8" X 1722 AXLE	00	00	00	01	01	01	00	00	00
04B	0502040063	2-1/8" X 54 99 NUT	00	00	00	02	02	02	00	00	00
05	0501059155	2-1/8" X 2020 AXLE WITH NUTS	00	00	00	00	00	02	04	00	00
05A	0561013277	2-1/8" X 2020 AXLE	00	00	00	00	00	01	01	00	00
05B	0502040063	2-1/8" X 54 99 NUT	00	00	00	00	00	02	02	00	00
06	0531045460	AGRICULTURAL BEARING DMO 292 X 2.1/8 WITH 16 SUPPORT	04	08	08	08	08	08	08	08	12
07	0502011405	292 W/H 2.1/8 SPACER	10	06	08	12	12	16	16	12	12
08	0502010594	2-1/8" EXTERNAL AXLE WASHER	02	04	04	04	04	04	04	04	06
09	0502010595	2-1/8" INNER AXLE WASHER	02	04	04	04	04	04	04	04	06
10	0521047558	ASSY BOLT 7/8 X 4 OSCILLATING BEARING	08	16	16	16	16	16	16	16	24
10A	0503013310	7/8 UNC X 4 C S G.5 ZN BOLT	01	01	01	01	01	01	01	01	01
10B	0561013107	FLAT WASHER	01	01	01	01	01	01	01	01	01
10C	0503010417	7/8" NUT	02	02	02	02	02	02	02	02	02
11	0541010368	NUT LOCK	04	08	08	08	08	08	08	08	12
12	0503010232	5/8" X 1.3/4" BOLT	08	16	16	16	16	16	16	16	24
13	0501012140	FLAT WASHER 16,50 X 40 X 4,00 ZN	08	16	16	16	16	16	16	16	24
14	0503010013	5/8 UNC G.5 ZN HEX NUT	08	16	16	16	16	16	16	16	24
15	0602040001	DR 30 X 7,50 C105AF04FR2.3/16 10R	16	18	20	22	24	26	28	30	30



Item	Code	Description	See page	QT
01	0502012860	BEARING SUPPORT		01
02	0501011543	5/8" X 4" BOLT		02
03	0503010027	5/8 SPRING WASHER		02
04	0503010013	5/8 UNC G.5 ZN HEX NUT		02
05	0503011401	1/2" X 3/4" BOLT		04
06	0503010019	1/2" SPRING WASHER		04
07	0521067635	COVER PROTECTION		01
08	0541052221	AGRICULTURAL BEARING DMO 292 X 2.1/8	17	01



Item	Code	Description	See page	QT
01	0502012859	BEARING BOX		01
02	0502040810	SHAFT FOR BEARING		01
03	0502040198	SEAL RETAINER		02
04	0503030028	JB-257 SEAL		02
05	0502012481	BOX COVER		01
06	0503032999	JOINT		01
07	0503010175	3/8" X 1-1/4" BOLT		06
08	0503011443	SPRING WASHER 3/8"		06
09	0581012051	EXTERNAL DISC		01
10	0581012052	DISC INTERNAL SUPPORT		01
11	0503010856	OIL PLUG R 3/8 BSPT		02
12	0503010107	27687/27620 BEARING		02



MARCHESAN

Technical Publications | Elaboration and Revision

LUIZ CANDIDO

www.marchesan.com.br

