

**OFFSET DISK HARROW**

**GAICR 300 - 14/16/18D - AXIS 2.1/8"**  
**GAICR 300 - 14/16/18D - EIXO 2.1/8"**

**Code:** 0501093701  
**Series:** S-0923  
**Revision:** 00  
**Revision Date:** JUNE/2024

# **PARTS CATALOGUE**



**MARCHESAN**



# PRODUCTS

Code	Working Width	Description
0102460316		GAICR 300 14 X 28 X 7,50 DR DMO E 2.1/8 S-0923
0102460319		GAICR 300 14 X 30 X 7,50 DR DMO E 2.1/8 S-0923
0102460318		GAICR 300 14X28X6,00 DR DMO E 2.1/8 S-0923
0102460314		GAICR 300 16 X 30 X 7,50 DR DMO E 2.1/8 S-0923
0102460315		GAICR 300 16X28X7,50 DR DMO E 2.1/8 S-0923
0102460329		GAICR 300 18X30X7,50 DR DMO E 2.1/8 PN11L15 S-0923

## ATTENTION: IMPORTANT

Marchesan S.A. reserves the right to improve and/or modify the technical features of its products, without obligation to do the same with those products already sold and without prior knowledge of the dealer or the customer. The photos are only illustrative.

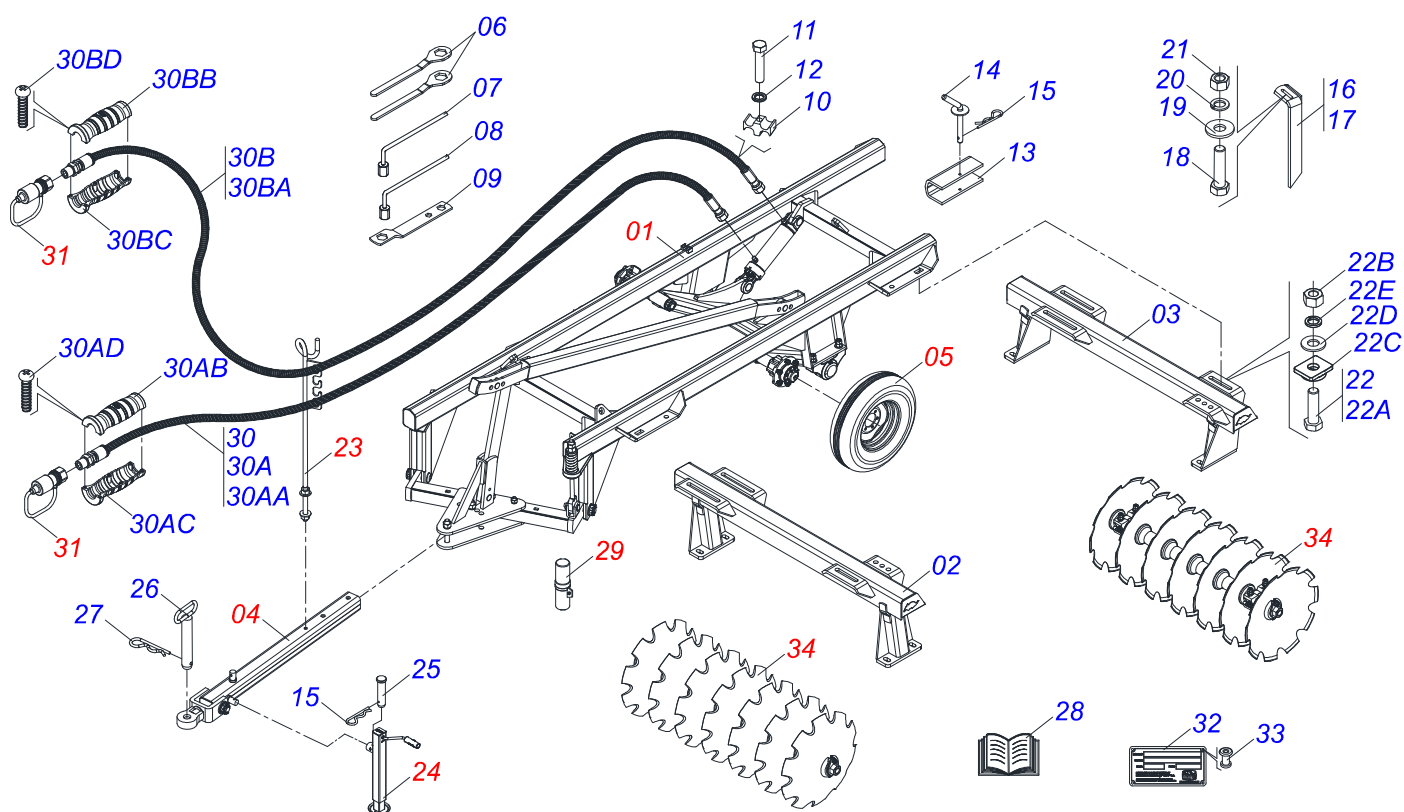


**MARCHESAN**

# INDEX

0909097228	ASSY FRAME	.....	1
0521045305	FRAME ASSY - 12/14D	.....	2
0521045276	FRAME ASSY - 16/18D	.....	3
0511058298	HYDRAULIC CYLINDER 44,45 X 85,7 X 515 X 203	.....	4
0501051634	STUB SHAFT HUB ASSY	.....	5
0501051142	CARRYING WHEEL HUB	.....	6
0511059180	HYDRAULIC CYLINDER 50,80 X 101,60 X 515 X 203	.....	7
0501041096	DRAWBAR ASSY	.....	8
0521048502	TRACTION BAR ASSY	.....	9
0521057520	HITCH ASSY	.....	10
0503060091	L 29.5" X 0.63"-10L WHEEL AND TIRE ASSY	.....	11
0503060181	WHEEL AND TIRE	.....	12
0501040257	3/4" X 38" HOSE SUPPORT ASSY	.....	13
0503062157	DRAWBAR JACK	.....	14
0521055904	MANUAL STORAGE TUBE ASSY	.....	15
0501053834	MALE QUICK COUPLER	.....	16
0909097235	DISC GANG ASSY	.....	17
0531045460	AGRICULTURAL BEARING DMO 292 X 2.1/8 WITH SUPPORT	.....	18
0541052221	AGRICULTURAL BEARING DMO 292 X 2.1/8	.....	19

ASSY FRAME



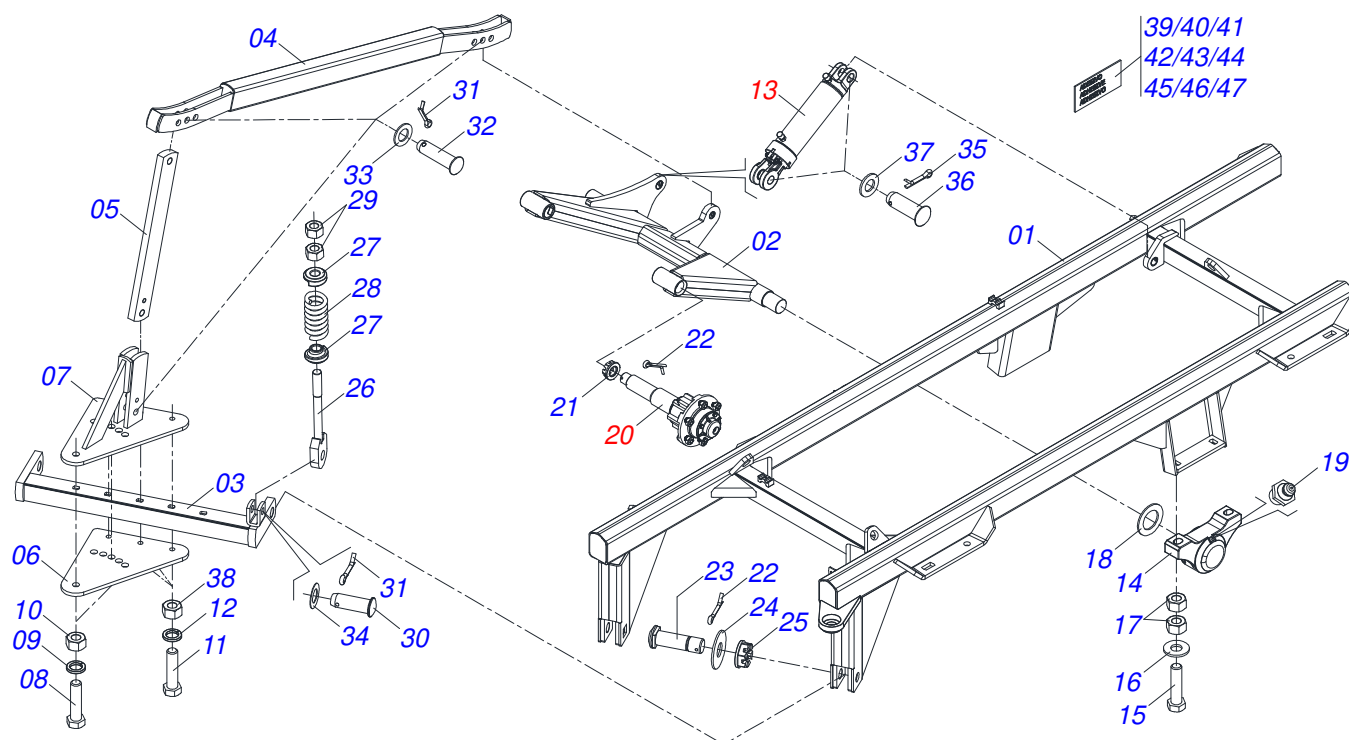
Item	Code	Description	See page	14	16	18
01	0521045305	FRAME ASSY - 12/14D	2	01	00	00
01.	0521045276	FRAME ASSY - 16/18D	3	00	01	01
02	0521062625	FRONT FRAME		01	00	00
02.	0521061539	FRONT FRAME		00	01	00
02..	0521069947	FRONT FRAME		00	00	01
03	0521062626	REAR FRAME		01	00	00
03.	0521061540	REAR FRAME		00	01	00
03..	0521069135	FRONT FRAME		00	00	01
04	0501041096	DRAWBAR ASSY	8	01	00	00
04.	0521048502	TRACTION BAR ASSY	9	00	01	01
05	0503060091	L 29.5" X 0.63"-10L WHEEL AND TIRE ASSY	11	02	02	00
05.	0503060181	WHEEL AND TIRE	12	00	00	02
06	0501316941	KEY 2.1/8 AND 2.1/2		02	02	02
07	0503015723	WRENCH WRENCH CYLINDRICAL 7/8		01	01	01
08	0501061617	1" GANG BOLT WRENCH		01	01	01
09	0511018451	5/8" X 3/4" X 1" UNIVERSAL		01	01	01
10	0502012702	BODY SUPPORT CLAMP		02	02	02
11	0503012555	7/16" UNC X 2" CS RT G.7 ZN SCREW		02	02	02
12	0503010180	7/16" SPRING WASHER		02	02	02
13	0511010839	TRANSPORT LOCK 7.9" X 2.1" X 0.4"		01	01	01
14	0501068994	8,30 X 78 LOCK PIN		01	01	01
15	0503030168	HITCH PIN CLIP		02	02	02
16	0501064168	FRONT SCRAPER		04	05	04
17	0501064167	REAR SCRAPER		04	05	04
18	0503011082	C1/2" X 1.3/4" SCREW		16	20	00
18.	0503010740	BOLT 1/2 UNC X 2 CS G.5 ZN		00	00	16
19	0511017302	FLAT WASHER 13,50 X 32,50 X 3,0 ZN		20	20	32
20	0503010019	1/2" SPRING WASHER		16	20	16
21	0503010060	1/2 UNC G.5 ZN HEX NUT		16	20	16
22	0501040877	C1" X 3-1/4" BOLT ASSY		08	08	08
22A	0501010171	BOLT 1 UNC X 3.1/2 C S G.5		01	01	01
22B	0501010059	1.5/8 NUT		01	01	01



## ASSY FRAME

0909097228

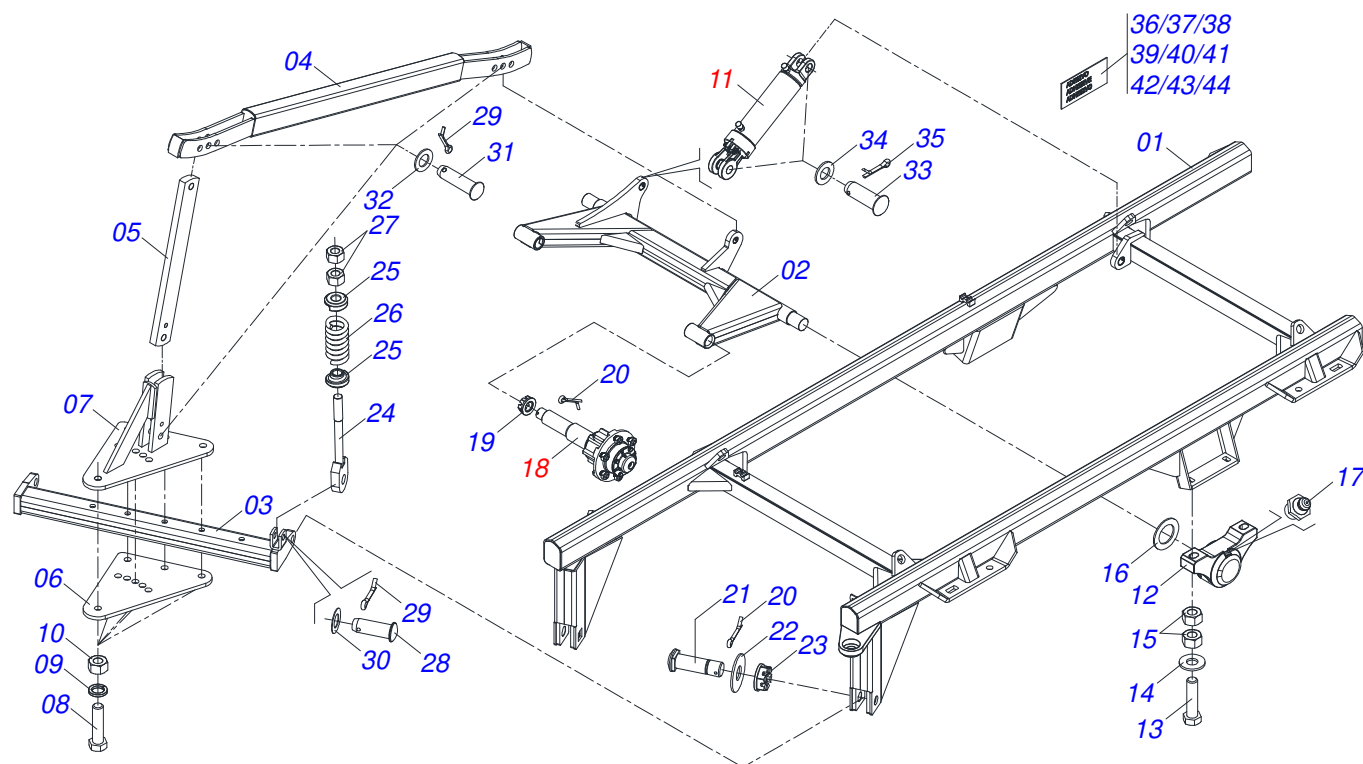
Item	Code	Description	See page	14	16	18
22C	0502012861	1" SQUARE WASHER		01	01	01
22D	0501010065	1" SPRING WASHER		01	01	01
22E	0503010012	1" SPRING WASHER		01	01	01
23	0501040257	3/4" X 38" HOSE SUPPORT ASSY	13	01	01	01
24	0503062157	DRAWBAR JACK	14	01	01	01
25	0521010549	COUPLING SHAFT		01	01	01
26	0501069080	COUPLING SHAFT		01	01	01
27	0503031035	HITCH PIN CLIP		01	01	01
28	0511034883	BAG WITH INSTRUCTION MANUAL		01	01	00
29	0521055904	MANUAL STORAGE TUBE ASSY	15	00	00	01
30	0503011360	HOSE KIT		01	01	01
30A	0521055893	3/8" X 230" TR-TM BLACK/BLUE HOSE		01	01	01
30AA	0501080421	3/8" X 230" TR-TM HOSE		01	01	01
30AB	0503034492	HYDRAULIC HOSE GRIP (BLACK)		01	01	01
30AC	0503034494	HYDRAULIC HOSE GRIP (BLUE)		01	01	01
30AD	0503018952	PH 2,5 X 10 ZB PLASTIC BOLT		06	06	06
30B	0521056233	3/8" X 236.22" TR-TM BLACK/RED HOSE		01	01	01
30BA	0501080443	3/8" X 236.22" TR-TM HOSE		01	01	01
30BB	0503034495	HYDRAULIC HOSE GRIP (RED)		01	01	01
30BC	0503034492	HYDRAULIC HOSE GRIP (BLACK)		01	01	01
30BD	0503018952	PH 2,5 X 10 ZB PLASTIC BOLT		06	06	06
31	0501053834	MALE QUICK COUPLER	16	02	02	02
32	0503034003	61 X 118 SERIAL NUMBER TAG		01	01	01
33	0503010001	RIVET 3,2 X 5,5		04	04	04
34		DISC GANG ASSY	17			



Item	Code	Description	See page	QT
01	0511066917	FRAME		01
02	0501066950	CARRYING-WHEELS		01
03	0501060370	OFFSET BAR		01
04	0511066932	STABILIZER BAR		01
05	0511012972	STABILIZER BAR TOWER		01
06	0501010241	UPPER /LOWER PLATE		01
07	0501066099	UPPER PLATE WITH SUPPORT		01
08	0501010060	1" X 6-1/2" BOLT		02
09	0503011438	SPRING WASHER		02
10	0501010059	1.5/8 NUT		02
11	0503011198	BOLT 3/4" UNC X 6" CS G.5		03
12	0503011442	3/4" SPRING WASHER		03
13	0511058298	HYDRAULIC CYLINDER 44,45 X 85,7 X 515 X 203	4	01
14	0501110856	ARTICULATION BEARING		02
15	0503010797	3/4" X 4" BOLT		04
16	0501010322	20,50 X 46 X 4,00 ZN FLAT WASHER		04
17	0503010014	3/4" ZN G.5 (HEAVY) UNC HEX NUT		08
18	0501017579	FLAT WASHER		02
19	0503010002	1800 GREASE FITTING		02
20	0501051634	STUB SHAFT HUB ASSY	5	02
21	0501011301	1.1/2" UNC 6FPP 2.5/16" NUT		02
22	0503010010	1/4" X 2.1/2" SPLIT PIN		04
23	0521017538	11-1/2" X 5" COUPLING SHAFT		02
24	0511019880	FLAT WASHER		02
25	0501011301	1.1/2" UNC 6FPP 2.5/16" NUT		02
26	0501064698	SPRING ROD		01
27	0502020392	SPRING SUPPORT		02
28	0503030441	12.7" X 5.7" X 0.5"SPRING		01
29	0501010059	1.5/8 NUT		02
30	0521010592	1.1" X 3.1" COUPLING SHAFT		01
31	0503010571	1/4" X 1.1/2" SPLIT PIN		04
32	0521010576	0.9" X 3.7" COUPLING SHAFT		03



Item	Code	Description	See page	QT
33	0501011445	FLAT WASHER		03
34	0561011883	FLAT WASHER		01
35	0503010523	1/4 X 2 SPLIT PIN		02
36	0521810779	AXIS JUNCTION 31.75 X 95 HOLE 80 SA ATCR		02
37	0501017779	FLAT WASHER 32 X 60 X 4,75		02
38	0503010014	3/4" ZN G.5 (HEAVY) UNC HEX NUT		03
39	0503060824	GAICR 300 DECAL ASSY		01
40	0503031087	AUTO CONTROL APPROVED DECAL		01
41	0503031428	ATTENTION READ MANUAL DECAL		01
42	0503031827	DAILY LUBRICATION AND RETIGHTENING DECAL		01
43	0503034499	HOSE IDENTIFICATION DECAL		01
44	0503034078	LIFTING POINTS DECAL		03
45	0503031738	WARNING DECAL		01
46	0503033038	DANGER DECAL		01
47	0503031739	DANGER DECAL		01

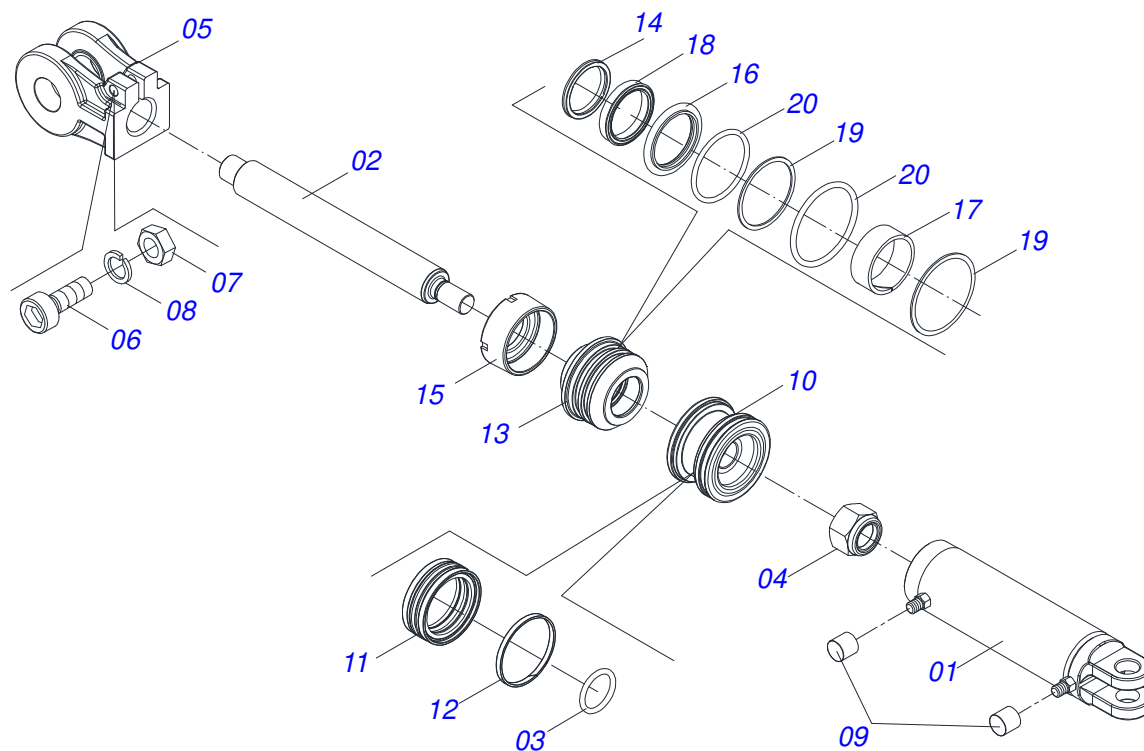


Item	Code	Description	See page	QT
01	0501065574	FRAME		01
02	0501065518	CARRYING-WHEELS		01
03	0501066262	OFFSET BAR		01
04	0511066932	STABILIZER BAR		01
05	0511012972	STABILIZER BAR TOWER		01
06	0511013000	UPPER /LOWER PLATE		01
07	0501066235	UPPER PLATE WITH SUPPORT		01
08	0501010334	1" X 7" BOLT		05
09	0503011438	SPRING WASHER		05
10	0501010059	1.5/8 NUT		05
11	0511059180	HYDRAULIC CYLINDER 50,80 X 101,60 X 515 X 203	7	01
12	0501110856	ARTICULATION BEARING		02
13	0503010797	3/4" X 4" BOLT		04
14	0501010322	20,50 X 46 X 4,00 ZN FLAT WASHER		04
15	0503010014	3/4" ZN G.5 (HEAVY) UNC HEX NUT		08
16	0501017579	FLAT WASHER		02
17	0503010002	1800 GREASE FITTING		02
18	0501051634	STUB SHAFT HUB ASSY	5	02
19	0501011301	1.1/2" UNC 6FPP 2.5/16" NUT		02
20	0503010010	1/4" X 2.1/2" SPLIT PIN		04
21	0521017538	11-1/2" X 5" COUPLING SHAFT		02
22	0511019880	FLAT WASHER		02
23	0501011301	1.1/2" UNC 6FPP 2.5/16" NUT		02
24	0501064698	SPRING ROD		01
25	0502020392	SPRING SUPPORT		02
26	0503030441	12.7" X 5.7" X 0.5" SPRING		01
27	0501010059	1.5/8 NUT		02
28	0521010592	1.1" X 3.1" COUPLING SHAFT		01
29	0503010571	1/4" X 1.1/2" SPLIT PIN		04
30	0561011883	FLAT WASHER		01
31	0521010576	0.9" X 3.7" COUPLING SHAFT		03
32	0501011445	FLAT WASHER		03

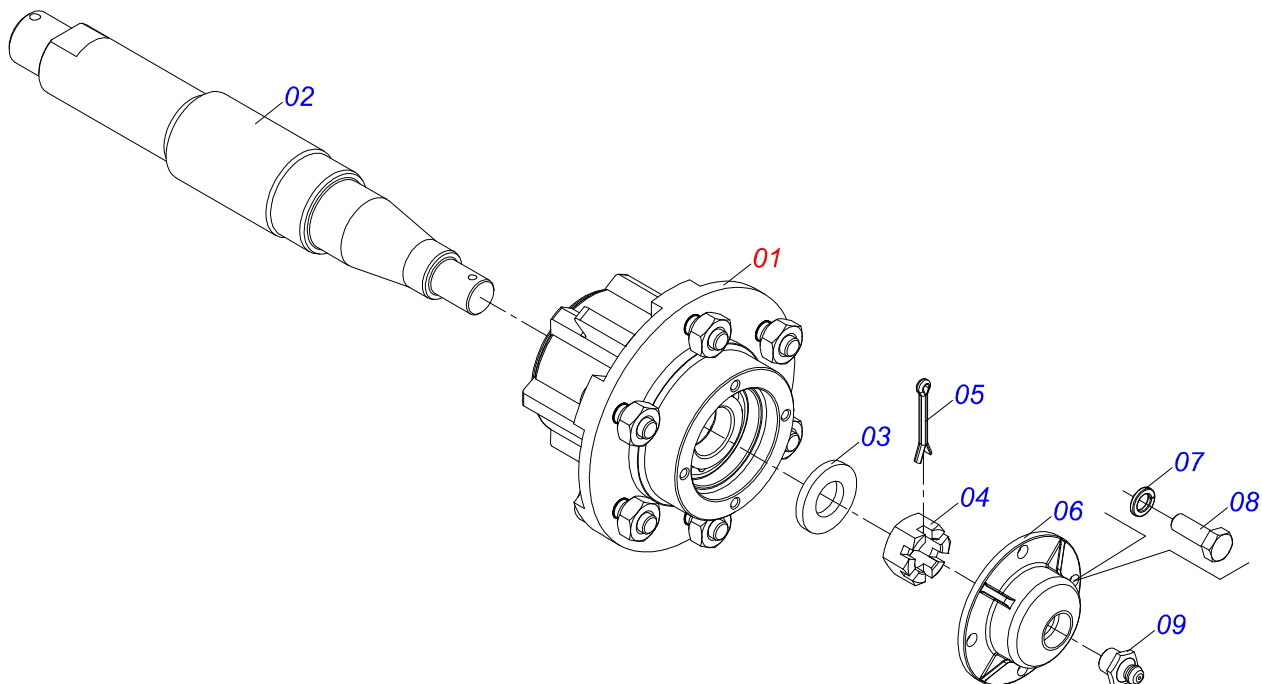




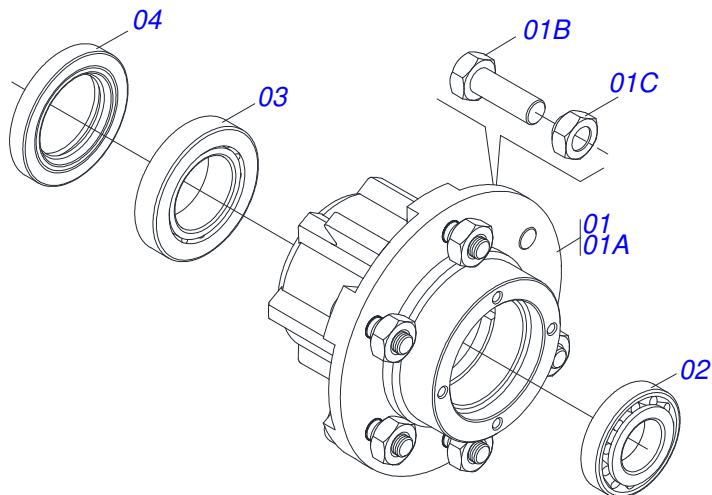
Item	Code	Description	See page	QT
33	0521810779	AXIS JUNCTION 31.75 X 95 HOLE 80 SA ATCR		02
34	0501017779	FLAT WASHER 32 X 60 X 4,75		02
35	0503010523	1/4 X 2 SPLIT PIN		02
36	0503060824	GAICR 300 DECAL ASSY		01
37	0503031827	DAILY LUBRICATION AND RETIGHTENING DECAL		01
38	0503031428	ATTENTION READ MANUAL DECAL		01
39	0503031087	AUTO CONTROL APPROVED DECAL		01
40	0503034499	HOSE IDENTIFICATION DECAL		01
41	0503034078	LIFTING POINTS DECAL		04
42	0503033038	DANGER DECAL		01
43	0503031738	WARNING DECAL		01
44	0503031739	DANGER DECAL		01



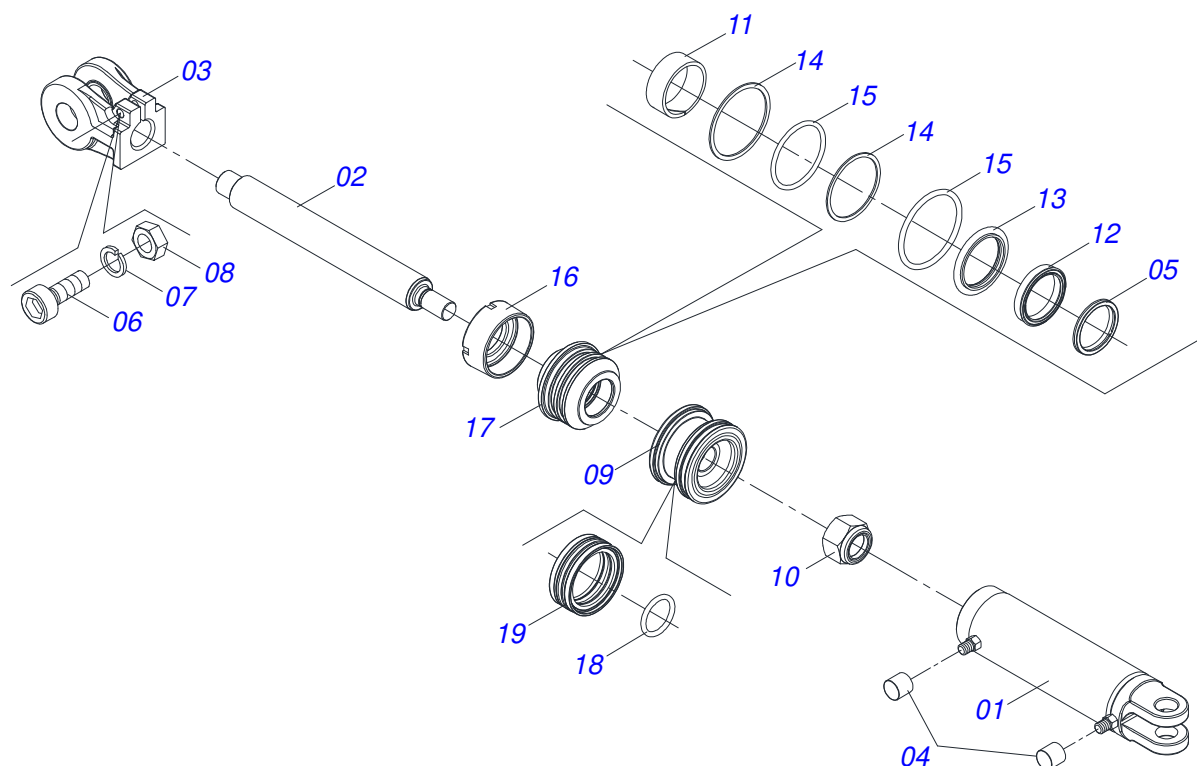
Item	Code	Description	See page	QT
01	0511061588	3.4" X 16" CYLINDER CASE		01
02	0521010421	HYDRAULIC CYLINDER TURNBUCKLE		01
03	0503010042	2-214 N 3006-9B O'RING		01
04	0503010063	1" SELF-ALIGNING NUT		01
05	0502040747	32.54 CLEVIS CLAMP		01
06	0503011094	BOLT 3/8" UNC X 2" C C S I 12.9		01
07	0503010026	3/8" NUT		01
08	0503010025	3/8" SPRING WASHER		01
09	0503030385	CYLINDER PLUG N-002		02
10	0571019710	1.7" X 3.4" PISTON		01
11	0503017935	RING		01
12	0503018144	RING		01
13	0571019711	RING SUPPORT		01
14	0503010761	D-1750 SCRAPER RING		01
15	0571019709	DETACHABLE COVER		01
16	0503017936	RING		01
17	0503017938	RING GUIDE		01
18	0503017937	GASKET		01
19	0503017940	8-337 BACK-UP RING		02
20	0503017939	2-337 N 3006-9B O' RING		02



Item	Code	Description	See page	QT
01	0501051142	CARRYING WHEEL HUB	6	01
02	0521010821	2.5" X 16.5" AXLE		01
03	0501016545	FLAT WASHER		01
04	0503030009	1" CASTLE NUT		01
05	0503010018	5/32" X 1-1/2" SPLIT PIN		01
06	0502020591	PROTECTION LID		01
07	0503011444	SPRING WASHER 5/16"		04
08	0503010358	5/16" X 5/8" BOLT		04
09	0503010002	1800 GREASE FITTING		01

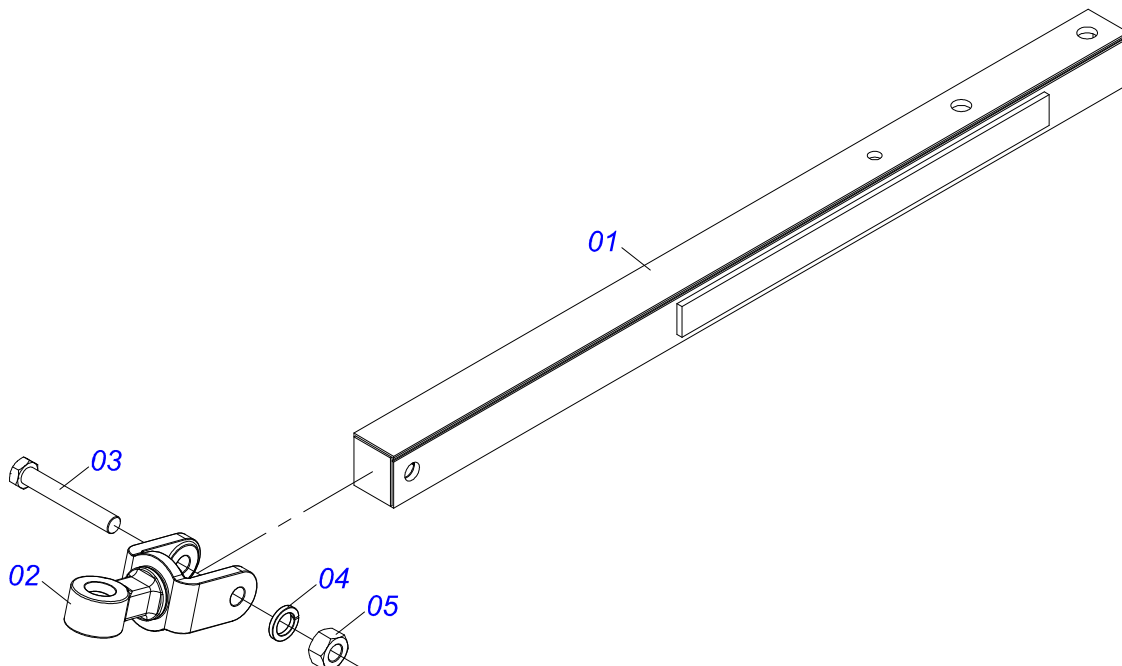


Item	Code	Description	See page	QT
01	0501110728	WHEEL HUB		01
01A	0502011121	CARRYING WHEEL HUB		01
01B	0501010127	9/16" X 1-7/8" LUG BOLT		06
01C	0503010035	9/16" CONIC NUT		06
02	0503010037	30207 ROLLER BEARING		01
03	0503010006	32210 ROLLER BEARING		01
04	0503012928	SEAL		01

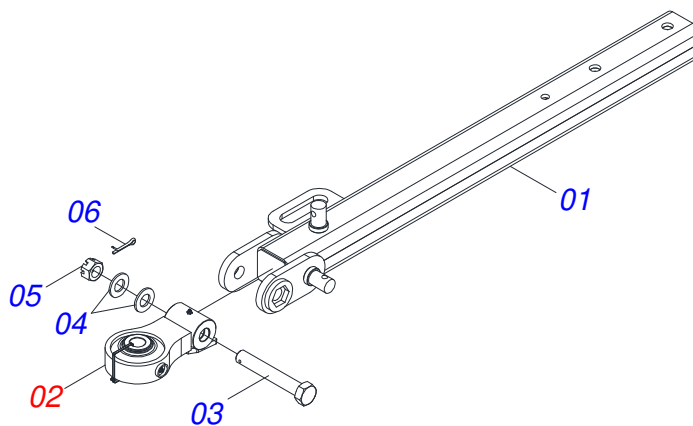


Item	Code	Description	See page	QT
01	0511070658	CYLINDER CASE		01
02	0571019958	HYDRAULIC CYLINDER TURNBUCKLE		01
03	0502040747	32.54 CLEVIS CLAMP		01
04	0503030385	CYLINDER PLUG N-002		02
05	0503010039	D-2000 SCRAPER RING		01
06	0503011094	BOLT 3/8" UNC X 2" C C S I 12.9		01
07	0503011443	SPRING WASHER 3/8"		01
08	0503010026	3/8" NUT		01
09	0502012820	2" X 4" PISTON		01
10	0503010817	1.1/4" SELF LOCKING NUT		01
11	0503018025	RING GUIDE W2-2250-750		01
12	0503018026	GASKET 1870-2000-375 B POLYMAX		01
13	0503018024	RING BS OD050805200171D-BR		01
14	0503010338	2-342 N 3006-9B O'RING		02
15	0503011061	8-342 BACK-UP RING		02
16	0502012822	END CAP 4"		01
17	0502012821	2" X 4" RING SUPPORT		01
18	0503018029	O'RING 2-217 N 3006 90B		01
19	0503015633	SELEMASTER SEALING		01

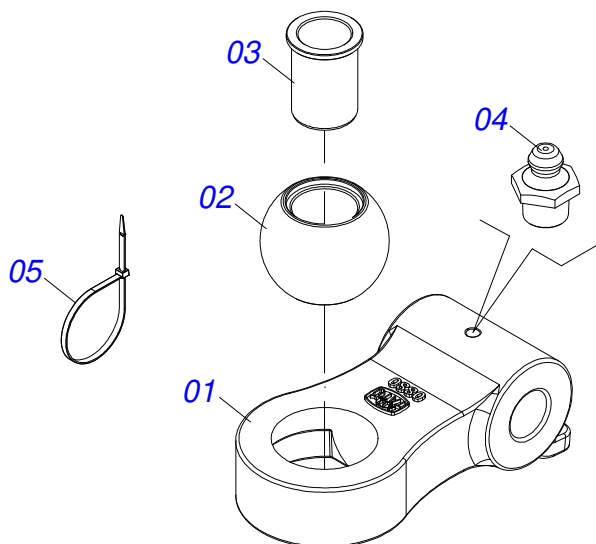
DRAWBAR ASSY



Item	Code	Description	See page	QT
01	0501060188	DRAWBAR ASSY		01
02	0521061775	TRACTOR HITCH		01
03	0501010060	1" X 6-1/2" BOLT		01
04	0503011438	SPRING WASHER		01
05	0501010059	1.5/8 NUT		01

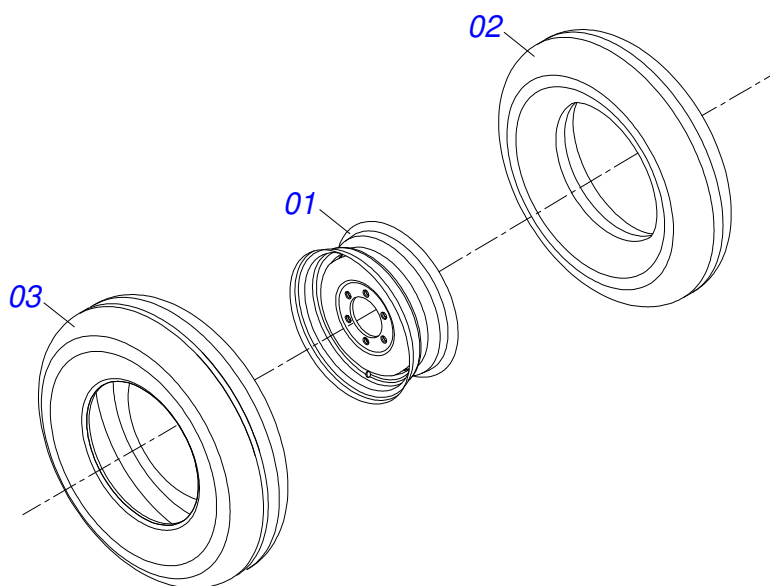


Item	Code	Description	See page	QT
01	0521069165	DRAWBAR		01
02	0521057520	HITCH ASSY	10	01
03	0581015973	1.1/4 UNC X 8 C S G5 SCREW		01
04	0501017779	FLAT WASHER 32 X 60 X 4,75		02
05	0503013026	1.1/4" CASTLE NUT		01
06	0503010010	1/4" X 2.1/2" SPLIT PIN		01

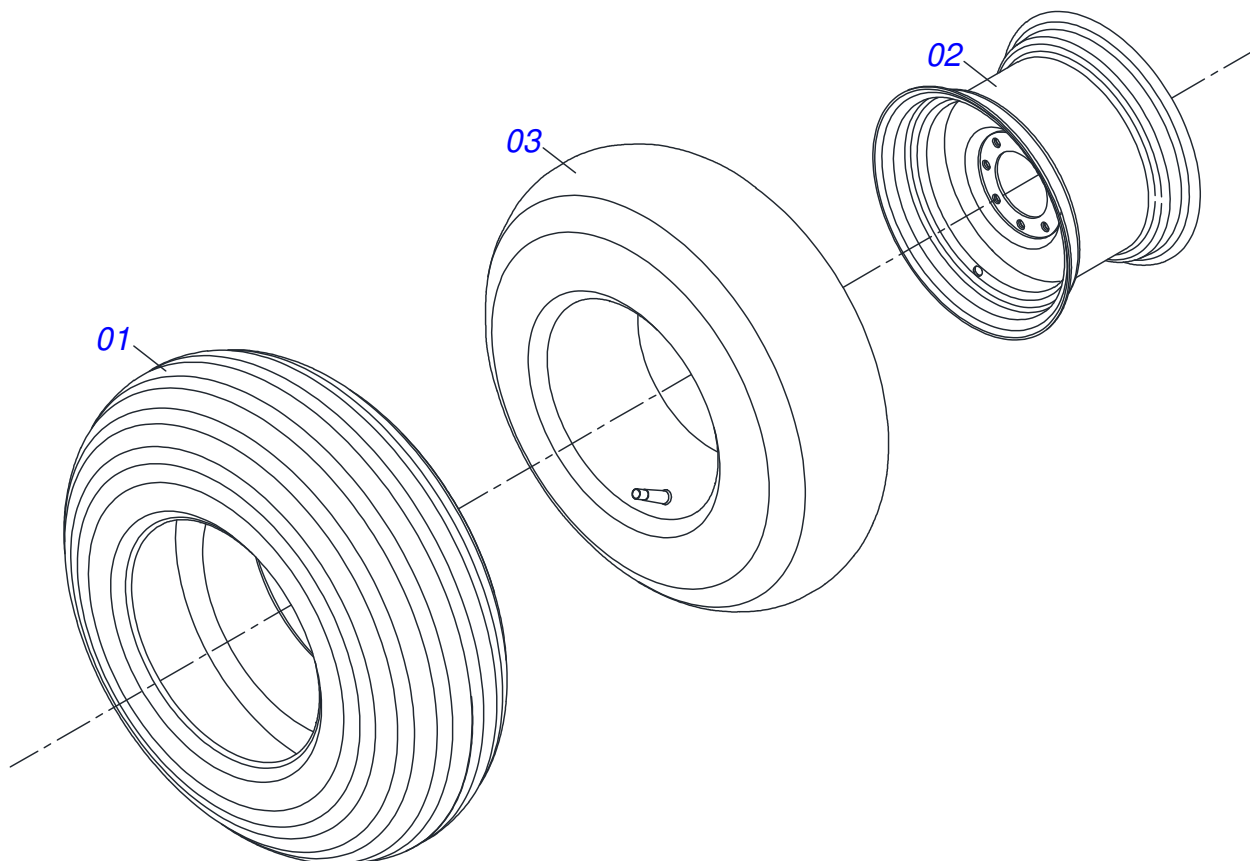


Item	Code	Description	See page	QT
01	0502040880	HITCH BODY		01
02	0502040885	BODY ATTACHMENT		01
03	0591012511	SLEEVE		01
04	0503010002	1800 GREASE FITTING		01
05	0503018829	NYLON CLAMP 7,8 X 1,8 X 390 MM		01

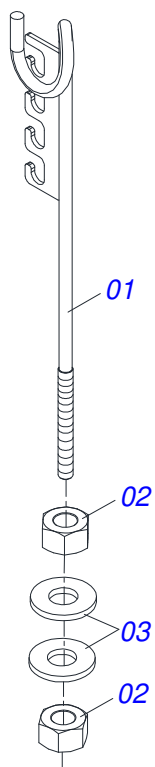




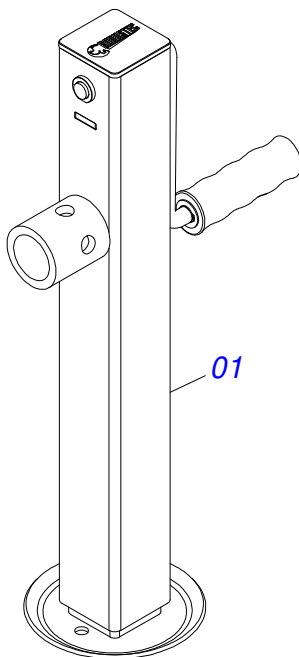
Item	Code	Description	See page	QT
01	0503010893	WHEEL		01
02	0503010033	7.50 X 16 INNER TIRE		01
03	0503010120	CANVAS TIRE		01



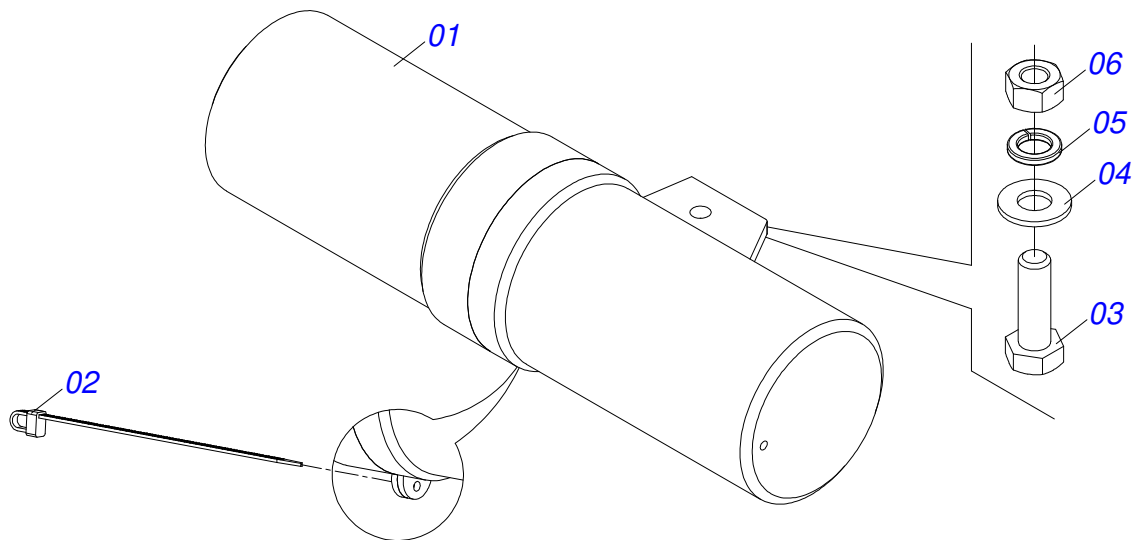
Item	Code	Description	See page	QT
01	0503010858	CANVAS TIRE		01
02	0503011468	WEEL		01
03	0503010860	AIR CHAMBER 11L 15		01



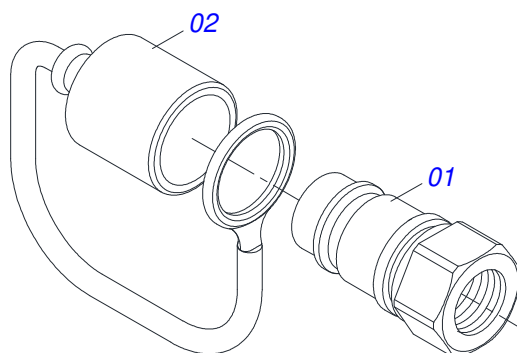
Item	Code	Description	See page	QT
01	0511067334	HOSE SUPPORT		01
02	0503010014	3/4" ZN G.5 (HEAVY) UNC HEX NUT		02
03	0501010322	20,50 X 46 X 4,00 ZN FLAT WASHER		02



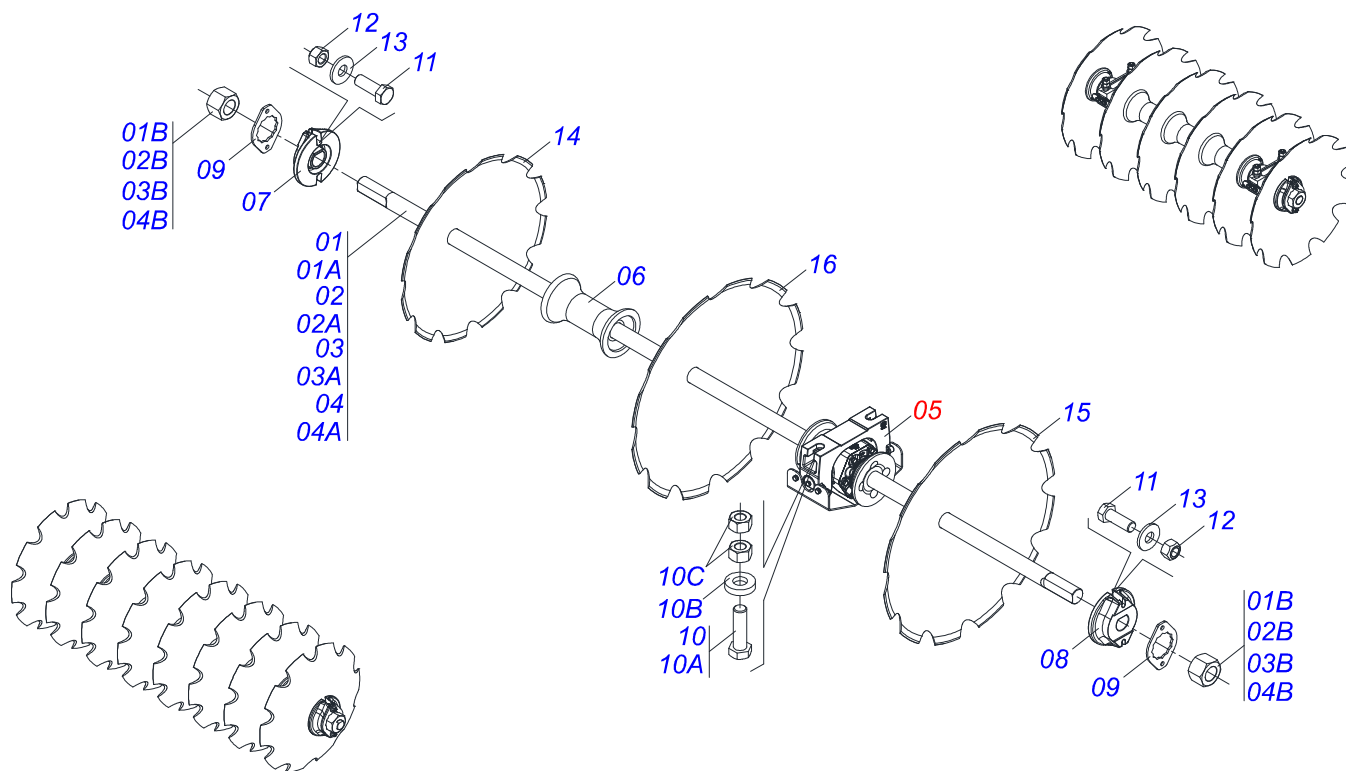
Item	Code	Description	See page	QT
01	0503062157	DRAWBAR JACK	14	01



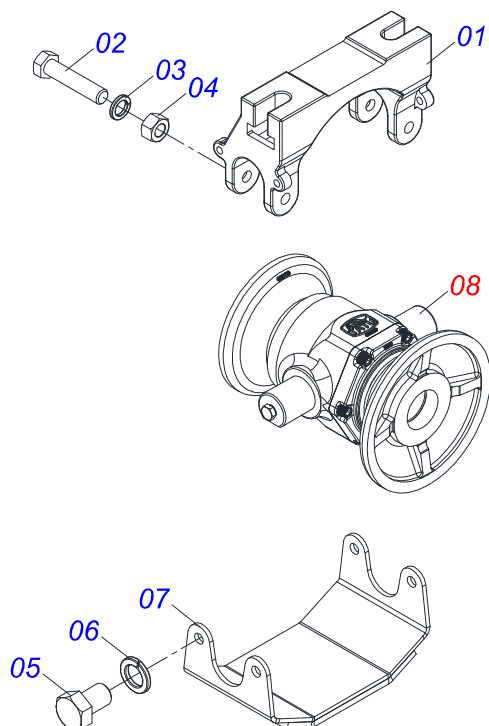
Item	Code	Description	See page	QT
01	0503060100	SUPPORT INSTRUCTION MANUAL		01
02	0503010267	NYLON CLAMP 3,60 X 1,3 X 155 MM		01
03	0503010363	BOLT 5/16 UNC X 1 C S G.2 ZN		01
04	0501010694	FLAT WASHER 32,50 X 75 X 4,75		01
05	0503010179	LOCK WASHER 5/16 ZN 1K01528		01
06	0503010337	NUT 5/16 UNC G.5 ZN		01



Item	Code	Description	See page	QT
01	0503011627	MALE QUICK COUPLER AGR 1/2 NPT		01
02	0503011882	MALE QUICK COUPLER CAP		01

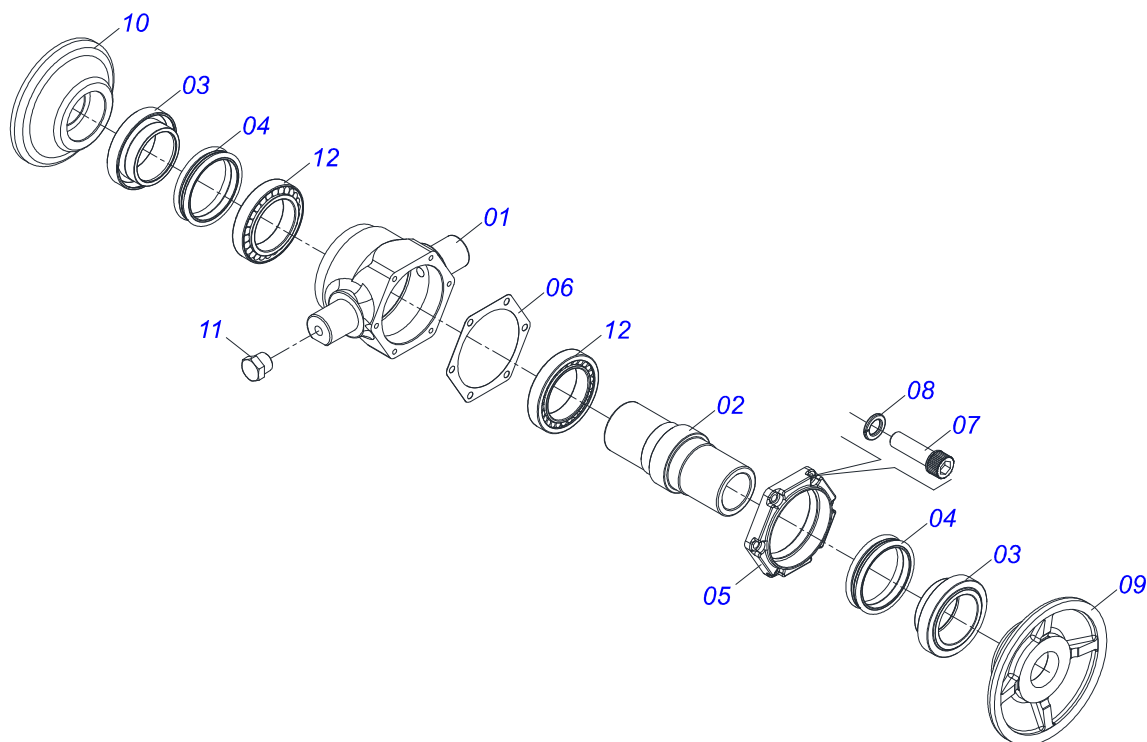


Item	Code	Description	See page	14D	16D	18D
01	0501059155	2-1/8" X 2020 AXLE WITH NUTS		02	00	00
01A	0561013277	2-1/8" X 2020 AXLE		01	00	00
01B	0502040063	2-1/8" X 54 99 NUT		02	00	00
02	0501059883	2.1/8 X 2320 AXIS WITH NUTS		00	02	00
02A	0561016052	2.1/8 X 2320 AXLE		00	01	00
02B	0502040063	2-1/8" X 54 99 NUT		00	02	00
03	0521049374	AXLE 2.1/8 X 1124 WITH NUTS		00	02	00
03A	0591010512	AXIS 2.1/8 X 1124		00	01	00
03B	0502040063	2-1/8" X 54 99 NUT		00	02	00
04	0511050665	2-1/8" X 1424 AXLE WITH NUTS		00	00	02
04A	0561015983	2-1/8" X 1424 AXLE		00	00	01
04B	0502040063	2-1/8" X 54 99 NUT		00	00	02
05	0531045460	AGRICULTURAL BEARING DMO 292 X 2.1/8 WITH 18 SUPPORT		04	04	08
06	0502011405	292 W/H 2.1/8 SPACER		08	10	06
07	0502010594	2-1/8" EXTERNAL AXLE WASHER		02	02	04
08	0502010595	2-1/8" INNER AXLE WASHER		02	02	04
09	0541010368	NUT LOCK		04	04	08
10	0521047558	ASSY BOLT 7/8 X 4 OSCILLATING BEARING		08	08	16
10A	0503013310	7/8 UNC X 4 C S G.5 ZN BOLT		01	01	01
10B	0561013107	FLAT WASHER		01	01	01
10C	0503010417	7/8" NUT		02	02	02
11	0503010232	5/8" X 1.3/4" BOLT		08	08	16
12	0503010013	5/8 UNC G.5 ZN HEX NUT		08	08	16
13	0501012140	FLAT WASHER 16,50 X 40 X 4,00 ZN		08	08	16
14	0602037250	28" X 7,5 NOTCHED DISC BLADE		14	00	00
14.	0602040140	NOTCHED DISC		14	00	00
15	0602037252	DR28X6 C108AF02FR2.3/16" D066 10REC		14	00	00
16	0602040001	DR 30 X 7,50 C105AF04FR2.3/16 10R		00	16	18
16.	0602037002	DR 28 X 7,50 C102AF04FR2.3/16 10R		00	16	00



Item	Code	Description	See page	QT
01	0502012860	BEARING SUPPORT		01
02	0501011543	5/8" X 4" BOLT		02
03	0503010027	5/8 SPRING WASHER		02
04	0503010013	5/8 UNC G.5 ZN HEX NUT		02
05	0503011401	1/2" X 3/4" BOLT		04
06	0503010019	1/2" SPRING WASHER		04
07	0521067635	COVER PROTECTION		01
08	0541052221	AGRICULTURAL BEARING DMO 292 X 2.1/8	19	01





Item	Code	Description	See page	QT
01	0502012859	BEARING BOX		01
02	0502040810	SHAFT FOR BEARING		01
03	0502040198	SEAL RETAINER		02
04	0503030028	JB-257 SEAL		02
05	0502012481	BOX COVER		01
06	0503032999	JOINT		01
07	0503010175	3/8" X 1-1/4" BOLT		06
08	0503011443	SPRING WASHER 3/8"		06
09	0581012051	EXTERNAL DISC		01
10	0581012052	DISC INTERNAL SUPPORT		01
11	0503010856	OIL PLUG R 3/8 BSPT		02
12	0503010107	27687/27620 BEARING		02





**MARCHESAN**

**Technical Publications | Elaboration and Revision**

LUIZ CANDIDO

[www.marchesan.com.br](http://www.marchesan.com.br)

