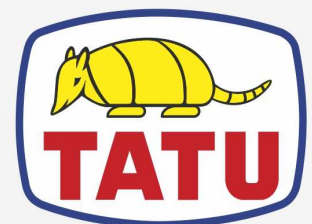


OFFSET DISK HARROW

GAICR 300 12/14/16/18/20/22/24/26D - 1.3/4" AXLE
GAICR 300 12/14/16/18/20/22/24/26D - EIXO 1.3/4"

Code: 0501093699
Series: S-0923
Revision: 00
Revision Date: FEBRUARY/2024

PARTS CATALOGUE



MARCHESAN



PRODUCTS

Code	Working Width	Description
0102460264		GAICR 300 12 X 26 X 6,00 DR DMO E 1.3/4 S-0923
0102460263		GAICR 300 12 X 28 X 6,00 DR DMO E 1.3/4 S-0923
0102460265		GAICR 300 12 X 28 X 7,50 DR DMO E 1.3/4 S-0923
0102460266		GAICR 300 12 X 30 X 7,50 DR DMO E 1.3/4 S-0923
0102460234		GAICR 300 14 X 26 X 6,00 DR DMO E 1.3/4 S-0923
0102460254		GAICR 300 14 X 28 X 6,00 DR DMO E 1.3/4 PN750 S-0923
0102460255		GAICR 300 14 X 28 X 6,00 DR DMO E 1.3/4 RDF S-0923
0102460235		GAICR 300 14 X 28 X 6,00 DR DMO E 1.3/4 S-0923
0102460259		GAICR 300 14 X 28 X 7,50 DR DMO E 1.3/4 PN750 S-0923
0102460236		GAICR 300 14 X 28 X 7,50 DR DMO E 1.3/4 S-0923
0102460258		GAICR 300 14 X 30 X 7,50 DR DMO E 1.3/4 RDF S-0923
0102460243		GAICR 300 14 X 30 X 7,50 DR DMO E 1.3/4 S-0923
0102460237C		GAICR 300 16 X 26 X 6,00 DR DMO E 1.3/4 EXP S-0923
0102460237		GAICR 300 16 X 26 X 6,00 DR DMO E 1.3/4 S-0923
0102460256		GAICR 300 16 X 28 X 6,00 DR DMO E 1.3/4 RDF S-0923
0102460238		GAICR 300 16 X 28 X 6,00 DR DMO E 1.3/4 S-0923
0102460239C		GAICR 300 16 X 28 X 7,50 DR DMO E 1.3/4 EXP S-0923
0102460260		GAICR 300 16 X 28 X 7,50 DR DMO E 1.3/4 PN11L15 S-0923
0102460239		GAICR 300 16 X 28 X 7,50 DR DMO E 1.3/4 S-0923
0102460261		GAICR 300 16 X 30 X 7,50 DR DMO E 1.3/4 PN11L15 S-0923
0102460244		GAICR 300 16 X 30 X 7,50 DR DMO E 1.3/4 S-0923
0102460257		GAICR 300 16 X 30 X 9,00 DR DMO E 1.3/4 S-0923
0102460240		GAICR 300 18 X 26 X 6,00 DR DMO E 1.3/4 S-0923
0102460241C		GAICR 300 18 X 28 X 6,00 DR DMO E 1.3/4 EXP S-0923
0102460262		GAICR 300 18 X 28 X 6,00 DR DMO E 1.3/4 PN11L15 S-0923
0102460241		GAICR 300 18 X 28 X 6,00 DR DMO E 1.3/4 S-0923
0102460242		GAICR 300 18 X 28 X 7,50 DR DMO E 1.3/4 S-0923
0102460311		GAICR 300 18 X 30 X 7,50 DR DMO E 1.3/4 PN11L15 S-0923
0102460245		GAICR 300 18 X 30 X 7,50 DR DMO E 1.3/4 S-0923
0102460313		GAICR 300 18 X 30 X 9,00 DR DMO E 1.3/4 PN11L15 S-0923

ATTENTION: IMPORTANT

Marchesan S.A. reserves the right to improve and/or modify the technical features of its products, without obligation to do the same with those products already sold and without prior knowledge of the dealer or the customer. The photos are only illustrative.



PRODUCTS

0102460272C	GAICR 300 20 X 26 X 6,00 DR DMO E 1.3/4 EXP S-0923
0102460272	GAICR 300 20 X 26 X 6,00 DR DMO E 1.3/4 S-0923
0102460274	GAICR 300 20 X 28 X 6,00 DR DMO E 1.3/4 S-0923
0102460273	GAICR 300 20 X 28 X 7,50 DR DMO E 1.3/4 S-0923
0102460275	GAICR 300 20 X 30 X 7,50 DMO DR E 1.3/4 S-0923
0102460276	GAICR 300 20 X 30 X 7,50 DR DMO E 1.3/4 PN11L15 S-0923
0102460288	GAICR 300 22 X 26 X 6,00 DR DMO E 1.3/4 S-0923
0102460287	GAICR 300 22 X 28 X 6,00 DR DMO E 1.3/4 S-0923
0102460286	GAICR 300 22 X 28 X 7,50 DR DMO E 1.3/4 S-0923
0102460284	GAICR 300 22 X 30 X 7,50 DR DMO E 1.3/4 PN11L15 S-0923
0102460285	GAICR 300 22 X 30 X 7,50 DR DMO E 1.3/4 S-0923
0102460271	GAICR 300 24 X 26 X 6,00 DR DMO E 1.3/4 S-0923
0102460270	GAICR 300 24 X 28 X 6,00 DR DMO E 1.3/4 S-0923
0102460269	GAICR 300 24 X 28 X 7,50 DR DMO E 1.3/4 S-0923
0102460283	GAICR 300 24 X 28 X 7,50 DR DMO E 1.3/4 TERR S-0923
0102460267	GAICR 300 24 X 30 X 7,50 DR DMO E 1.3/4 PN11L15 S-0923
0102460268	GAICR 300 24 X 30 X 7,50 DR DMO E 1.3/4 S-0923
0102460282	GAICR 300 26 X 26 X 6,00 DR DMO E 1.3/4 S-0923
0102460279	GAICR 300 26 X 28 X 6,00 DR DMO E 1.3/4 S-0923
0102460281	GAICR 300 26 X 28 X 7,50 DR DMO E 1.3/4 PN11L15 S-0923
0102460278	GAICR 300 26 X 28 X 7,50 DR DMO E 1.3/4 S-0923
0102460280	GAICR 300 26 X 30 X 7,50 DR DMO E 1.3/4 PN11L15 S-0923
0102460277	GAICR 300 26 X 30 X 7,50 DR DMO E 1.3/4 S-0923

ATTENTION: IMPORTANT

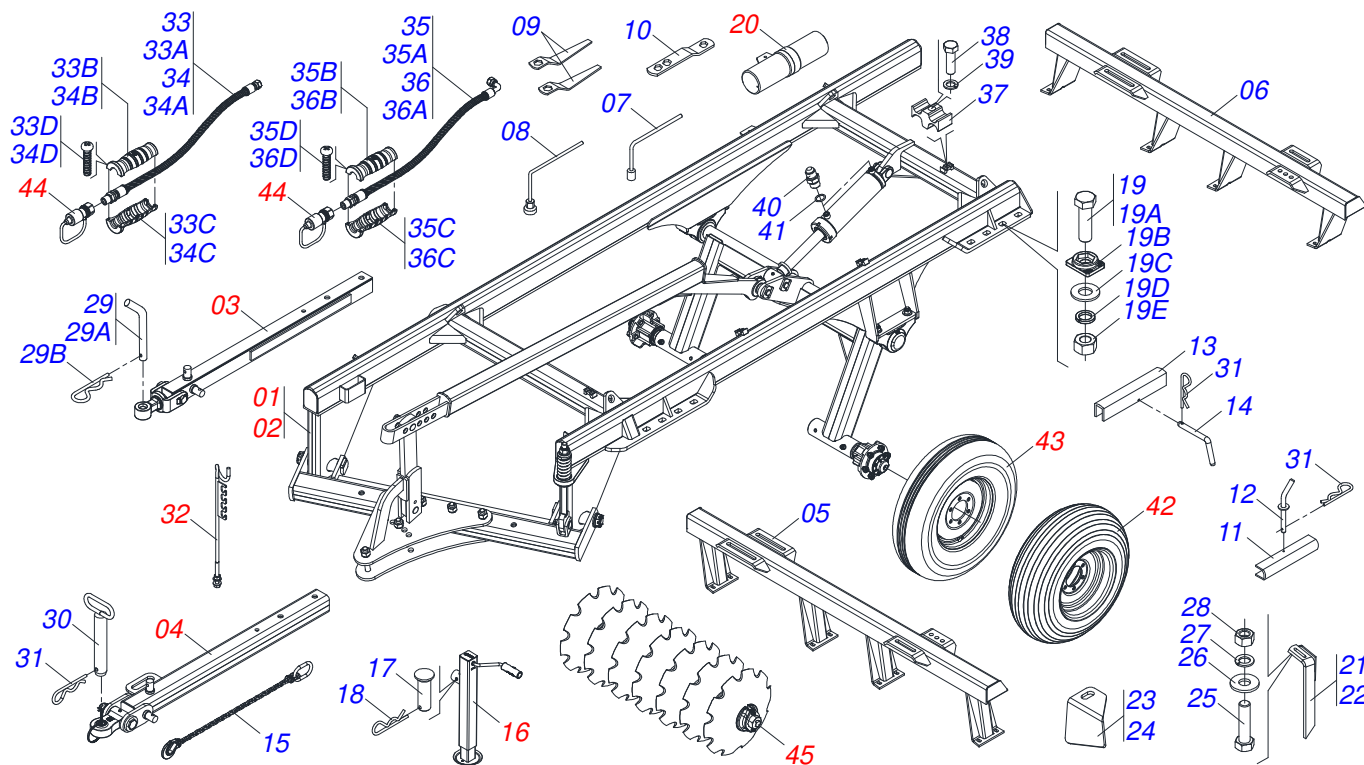
Marchesan S.A. reserves the right to improve and/or modify the technical features of its products, without obligation to do the same with those products already sold and without prior knowledge of the dealer or the customer. The photos are only illustrative.



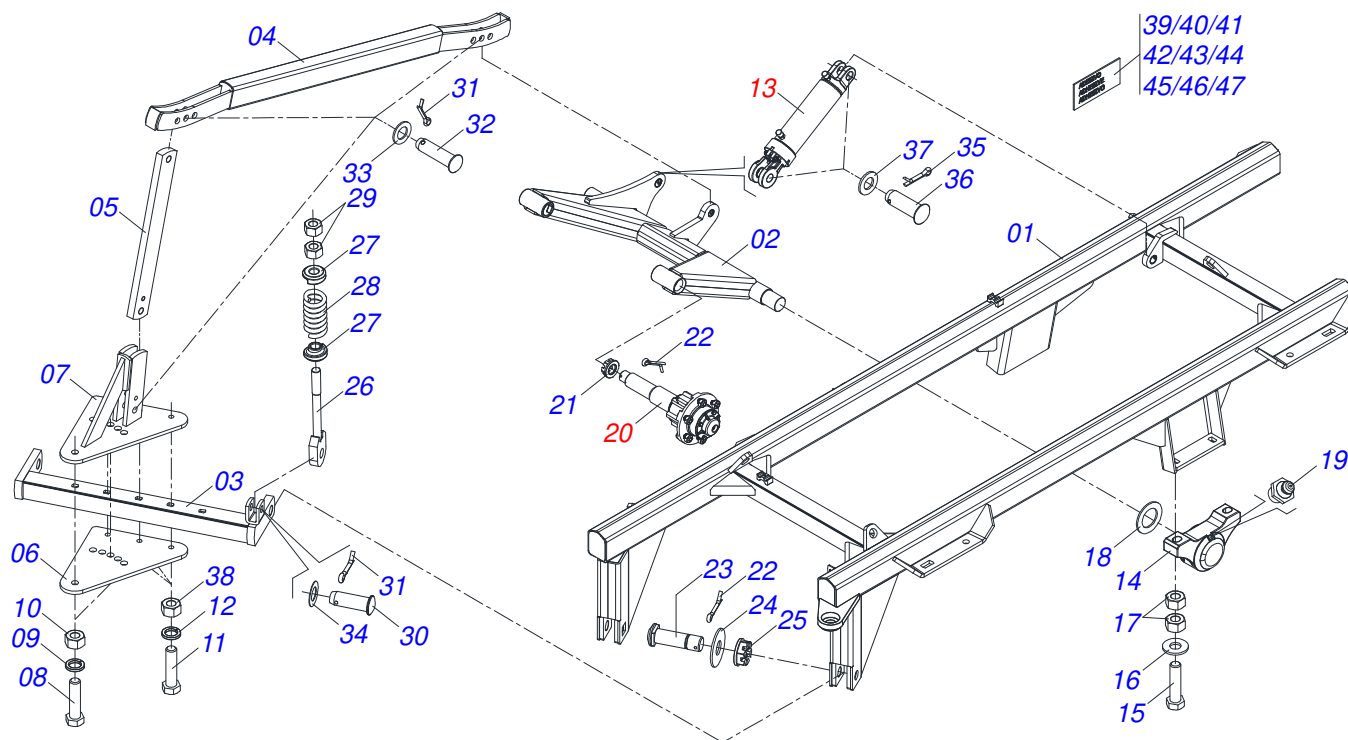
MARCHESAN

INDEX

0909097122	FRAME ASSY - 12/14/16/18/20/22/24/26D	1
0521045305	FRAME ASSY - 12/14D	2
0511058298	HYDRAULIC CYLINDER 44,45 X 85,7 X 515 X 203	3
0501051634	STUB SHAFT HUB ASSY	4
0501051142	CARRYING WHEEL HUB	5
0521045306	FRAME ASSY - 12/14D (RDF)	6
0501051636	STUB SHAFT & HUB ASSY	7
0521045276	FRAME ASSY - 16/18D	8
0511059180	HYDRAULIC CYLINDER 50,80 X 101,60 X 515 X 203	9
0521049101	FRAME ASSY - 20/22/24/26D	10
0501054931	STUB SHAFT & HUB	11
0511050166	50,80 X 101,60 X 561 X 251 HYDRAULIC CYLINDER	12
0511042245	DRAWBAR ASSY	13
0501041096	DRAWBAR ASSY	14
0521048502	TRACTION BAR ASSY	15
0521057520	HITCH ASSY	16
0503062157	DRAWBAR JACK	17
0521055904	MANUAL STORAGE TUBE ASSY	18
0501040257	3/4" X 38" HOSE SUPPORT ASSY	19
0503060181	WHEEL AND TIRE	20
0503060091	L 29.5" X 0.63"-10L WHEEL AND TIRE ASSY	21
0503060094	WHEEL AND TIRE ASSY	22
0503061625	600 X 16- 6L RDF WHEEL ASSY WITH TIRE	23
0501053834	MALE QUICK COUPLER	24
0909097123	DISC GANG - 12/14/16/18/20/22/24/26D	25
0521040965	AGRICULTURAL BEARING W/SUPPORT	26
0511052021	AGRICULTURAL BEARING	27



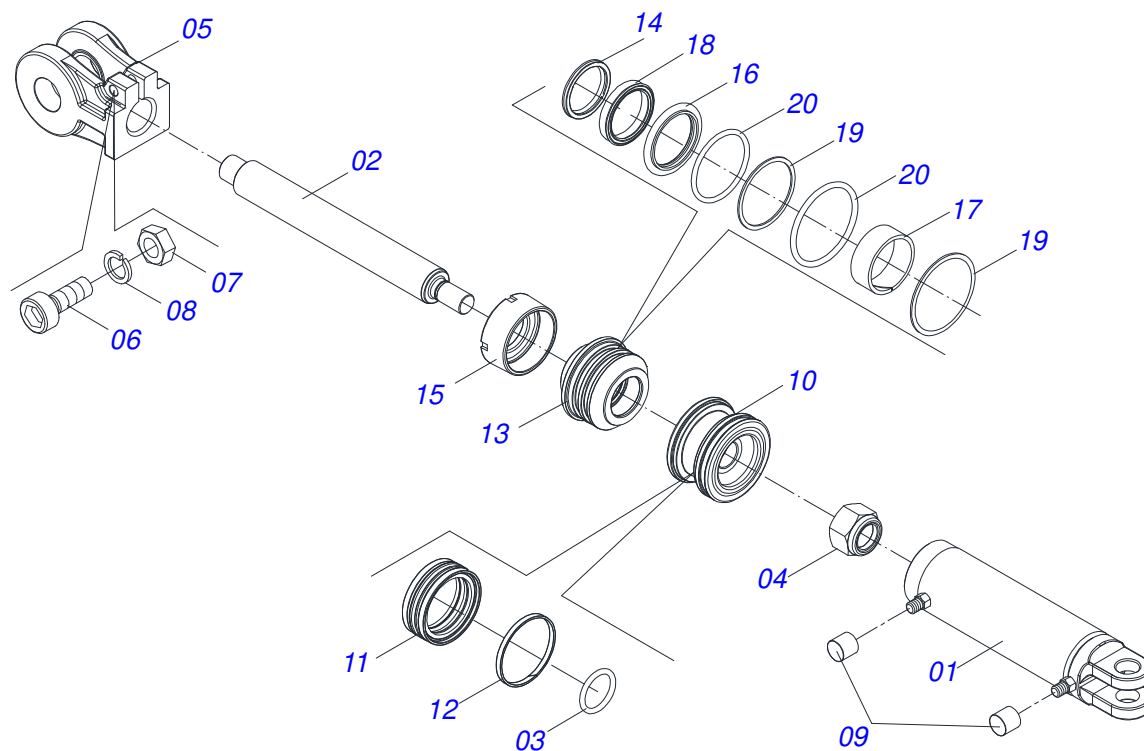
Item	Code	Description	See page	12	14	16	18	20	22	24	26
01	0521045305	FRAME ASSY - 12/14D	2	01	01	00	00	00	00	00	00
01.	0521045306	FRAME ASSY - 12/14D (RDF)	6	00	01	00	00	00	00	00	00
01..	0521045276	FRAME ASSY - 16/18D	8	00	00	01	01	00	00	00	00
02	0521049101	FRAME ASSY - 20/22/24/26D	10	00	00	00	00	01	01	01	01
03	0511042245	DRAWBAR ASSY	13	01	00	00	00	00	00	00	00
03.	0501041096	DRAWBAR ASSY	14	00	01	00	00	00	00	00	00
04	0521048502	TRACTION BAR ASSY	15	00	00	01	01	01	01	01	01
05	0521069943	FRONT FRAME - 12D		01	00	00	00	00	00	00	00
05.	0511064954	FRONT FRAME - 14D		00	01	00	00	00	00	00	00
05..	0511064956	FRONT FRAME - 16D		00	00	01	00	00	00	00	00
05...	0511064958	FRONT FRAME - 18D		00	00	00	01	00	00	00	00
05....	0511064960	FRONT FRAME - 20D		00	00	00	00	01	00	00	00
05.....	0511064962	FRONT FRAME - 22D		00	00	00	00	00	01	00	00
05.....	0511064964	FRONT FRAME - 24D		00	00	00	00	00	00	01	00
05.....	0511064966	FRONT FRAME - 26D		00	00	00	00	00	00	00	01
06	0521069945	REAR FRAME - 12D		01	00	00	00	00	00	00	00
06.	0511064955	REAR FRAME - 14D		00	01	00	00	00	00	00	00
06..	0511064957	REAR FRAME - 16D		00	00	01	00	00	00	00	00
06...	0511064959	REAR FRAME - 18D		00	00	00	01	00	00	00	00
06....	0511064961	REAR FRAME - 20D		00	00	00	00	01	00	00	00
06.....	0511064963	REAR FRAME - 22D		00	00	00	00	00	01	00	00
06.....	0511064965	REAR FRAME - 24D		00	00	00	00	00	00	01	00
06.....	0511064967	REAR FRAME - 26D		00	00	00	00	00	00	00	01
07	0503018438	1" WRENCH CYLINDRICAL HEX		01	01	01	01	01	01	01	01
08	0501061617	1" GANG BOLT WRENCH		01	01	01	01	01	01	01	01
09	0501011431	1-3/4" GANG BOLT WRENCH		02	02	02	02	02	02	02	02
10	0511018451	5/8" X 3/4" X 1" UNIVERSAL		01	01	01	01	01	01	01	01
11	0511010420	8.5" X 1.8" TRANSPORT LOCK		01	01	00	00	00	00	00	00
11.	0511010839	TRANSPORT LOCK 7.9" X 2.1" X 0.4"		00	00	01	01	00	00	00	00
12	0501068994	8,30 X 78 LOCK PIN		01	01	01	01	00	00	00	00
13	0551010280	253 TRANSPORT LOCK		00	00	00	00	01	01	01	01
14	0541016844	FIXER LOCK		00	00	00	00	01	01	01	01



Item	Code	Description	See page	QT
01	0511066917	FRAME		01
02	0501066950	CARRYING-WHEELS		01
03	0501060370	OFFSET BAR		01
04	0511066932	STABILIZER BAR		01
05	0511012972	STABILIZER BAR TOWER		01
06	0501010241	UPPER /LOWER PLATE		01
07	0501066099	UPPER PLATE WITH SUPPORT		01
08	0501010060	1" X 6-1/2" BOLT		02
09	0503011438	SPRING WASHER		02
10	0501010059	1.5/8 NUT		02
11	0503011198	BOLT 3/4" UNC X 6" CS G.5		03
12	0503011442	3/4" SPRING WASHER		03
13	0511058298	HYDRAULIC CYLINDER 44,45 X 85,7 X 515 X 203	3	01
14	0501110856	ARTICULATION BEARING		02
15	0503010797	3/4" X 4" BOLT		04
16	0501010322	20,50 X 46 X 4,00 ZN FLAT WASHER		04
17	0503010014	3/4" ZN G.5 (HEAVY) UNC HEX NUT		08
18	0501017579	FLAT WASHER		02
19	0503010002	1800 GREASE FITTING		02
20	0501051634	STUB SHAFT HUB ASSY	4	02
21	0501011301	1.1/2" UNC 6FPP 2.5/16" NUT		02
22	0503010010	SPLIT PIN 1/4" X 2.1/2"		04
23	0521017538	11-1/2" X 5" COUPLING SHAFT		02
24	0511019880	FLAT WASHER		02
25	0501011301	1.1/2" UNC 6FPP 2.5/16" NUT		02
26	0501064698	SPRING ROD		01
27	0502020392	SPRING SUPPORT		02
28	0503030441	12.7" X 5.7" X 0.5" SPRING		01
29	0501010059	1.5/8 NUT		02
30	0521010592	1.1" X 3.1" COUPLING SHAFT		01
31	0503010571	1/4" X 1.1/2" SPLIT PIN		04
32	0521010576	0.9" X 3.7" COUPLING SHAFT		03

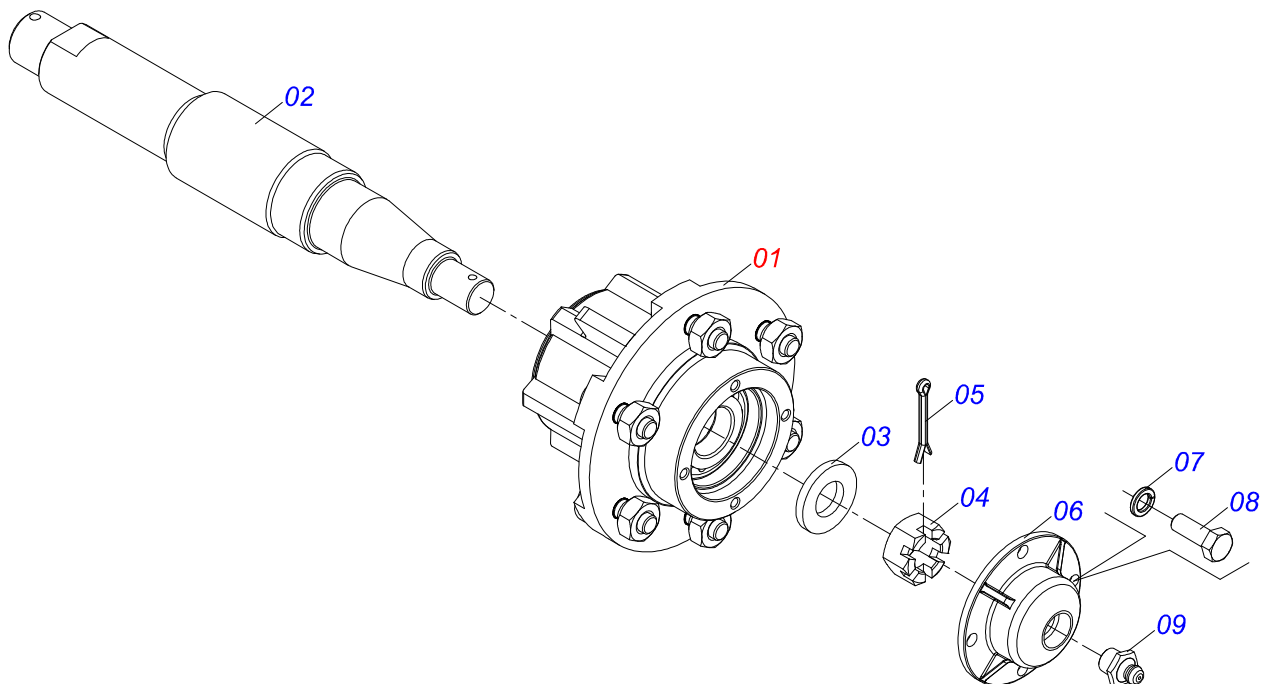


Item	Code	Description	See page	QT
33	0501011445	FLAT WASHER		03
34	0561011883	FLAT WASHER		01
35	0503010523	1/4" X 2" SPLIT PIN		02
36	0521810779	AXIS JUNCTION 31.75 X 95 HOLE 80 SA ATCR		02
37	0501017779	FLAT WASHER 32 X 60 X 4,75		02
38	0503010014	3/4" ZN G.5 (HEAVY) UNC HEX NUT		03
39	0503060824	GAICR 300 DECAL ASSY		01
40	0503031087	AUTO CONTROL APPROVED DECAL		01
41	0503031428	READ MANUAL DECAL		01
42	0503031827	LUBRICATE AND RETIGHTEN DAILY DECAL		01
43	0503034499	HOSE IDENTIFICATION DECAL		01
44	0503034078	LIFTING POINTS DECAL		03
45	0503031738	WARNING DECAL		01
46	0503033038	DANGER DECAL		01
47	0503031739	DANGER DECAL		01



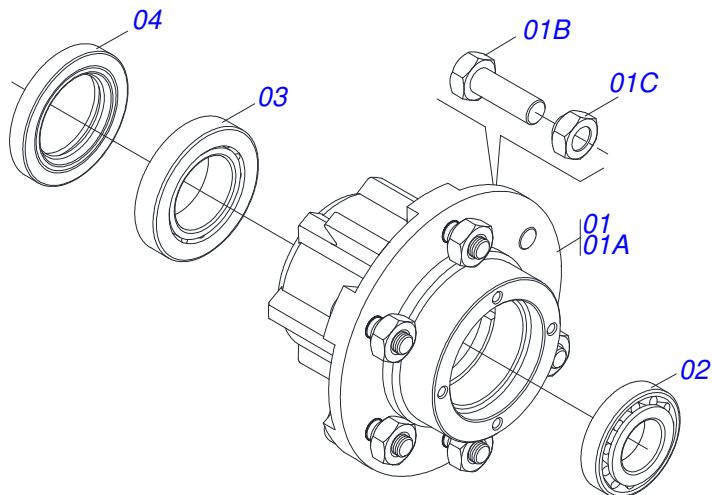
Item	Code	Description	See page	QT
01	0511061588	3.4" X 16" CYLINDER CASE		01
02	0521010421	HYDRAULIC CYLINDER TURNBUCKLE		01
03	0503010042	2-214 N 3006-9B O'RING		01
04	0503010063	1" SELF-ALIGNING NUT		01
05	0502040747	32.54 CLEVIS CLAMP		01
06	0503011094	BOLT 3/8" UNC X 2" C C S I 12.9		01
07	0503010026	3/8" NUT		01
08	0503010025	3/8 SPRING WASHER		01
09	0503030385	CYLINDER PLUG N-002		02
10	0571019710	1.7" X 3.4" PISTON		01
11	0503017935	RING		01
12	0503018144	RING		01
13	0571019711	RING SUPPORT		01
14	0503010761	D-1750 SCRAPER RING		01
15	0571019709	DETACHABLE COVER		01
16	0503017936	RING		01
17	0503017938	RING GUIDE		01
18	0503017937	GASKET		01
19	0503017940	8-337 BACK-UP RING		02
20	0503017939	2-337 N 3006-9B O' RING		02

STUB SHAFT HUB ASSY

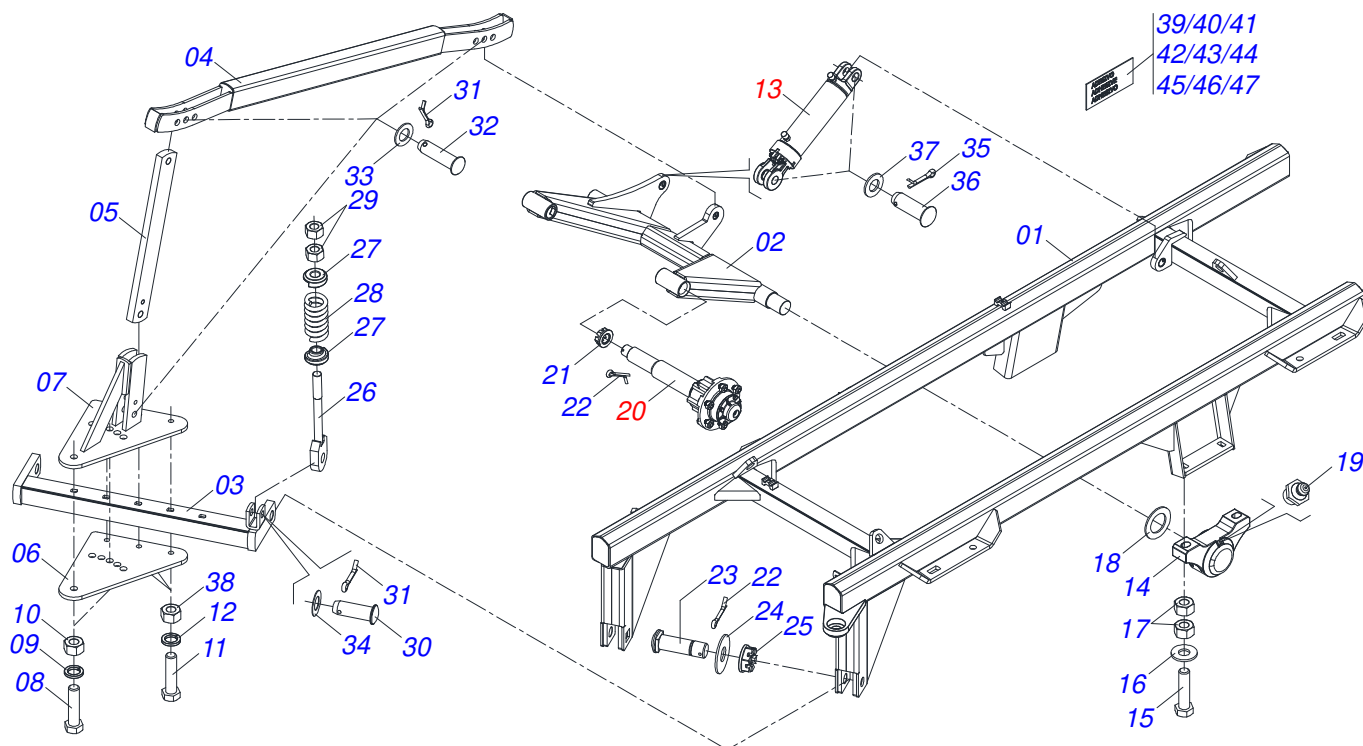


Item	Code	Description	See page	QT
01	0501051142	CARRYING WHEEL HUB	5	01
02	0521010821	2.5" X 16.5" AXLE		01
03	0501016545	FLAT WASHER		01
04	0503030009	1" CASTLE NUT		01
05	0503010018	5/32" X 1-1/2" SPLIT PIN		01
06	0502020591	PROTECCION COVER		01
07	0503011444	SPRING WASHER 5/16"		04
08	0503010358	5/16" X 5/8" BOLT		04
09	0503010002	1800 GREASE FITTING		01

CARRYING WHEEL HUB



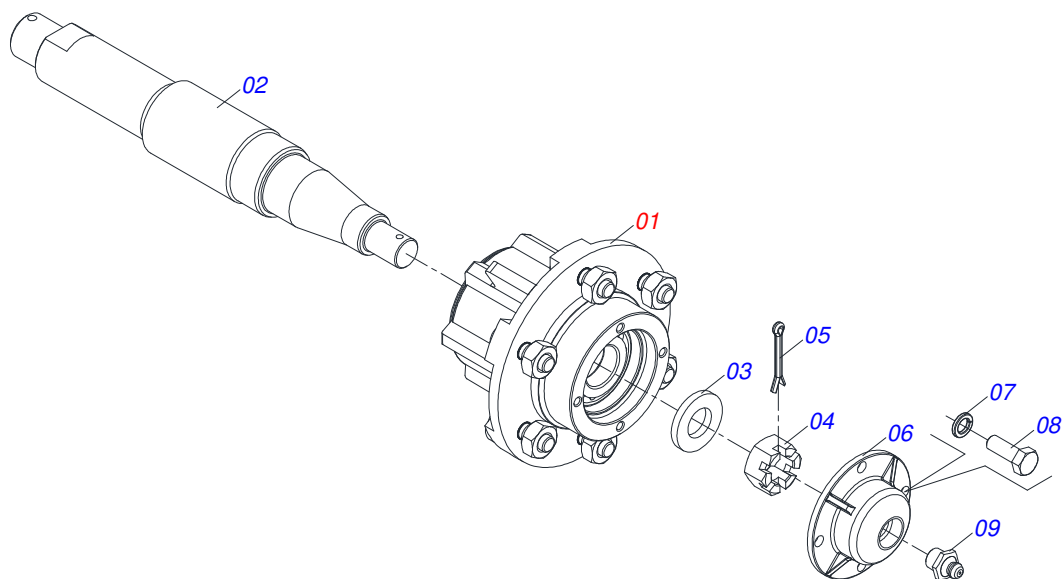
Item	Code	Description	See page	QT
01	0501110728	WHEEL HUB		01
01A	0502011121	CARRYING WHEEL HUB		01
01B	0501010127	9/16" X 1-7/8" LUG BOLT		06
01C	0503010035	9/16" CONIC NUT		06
02	0503010037	30207 ROLLER BEARING		01
03	0503010006	32210 ROLLER BEARING		01
04	0503012928	SEAL		01



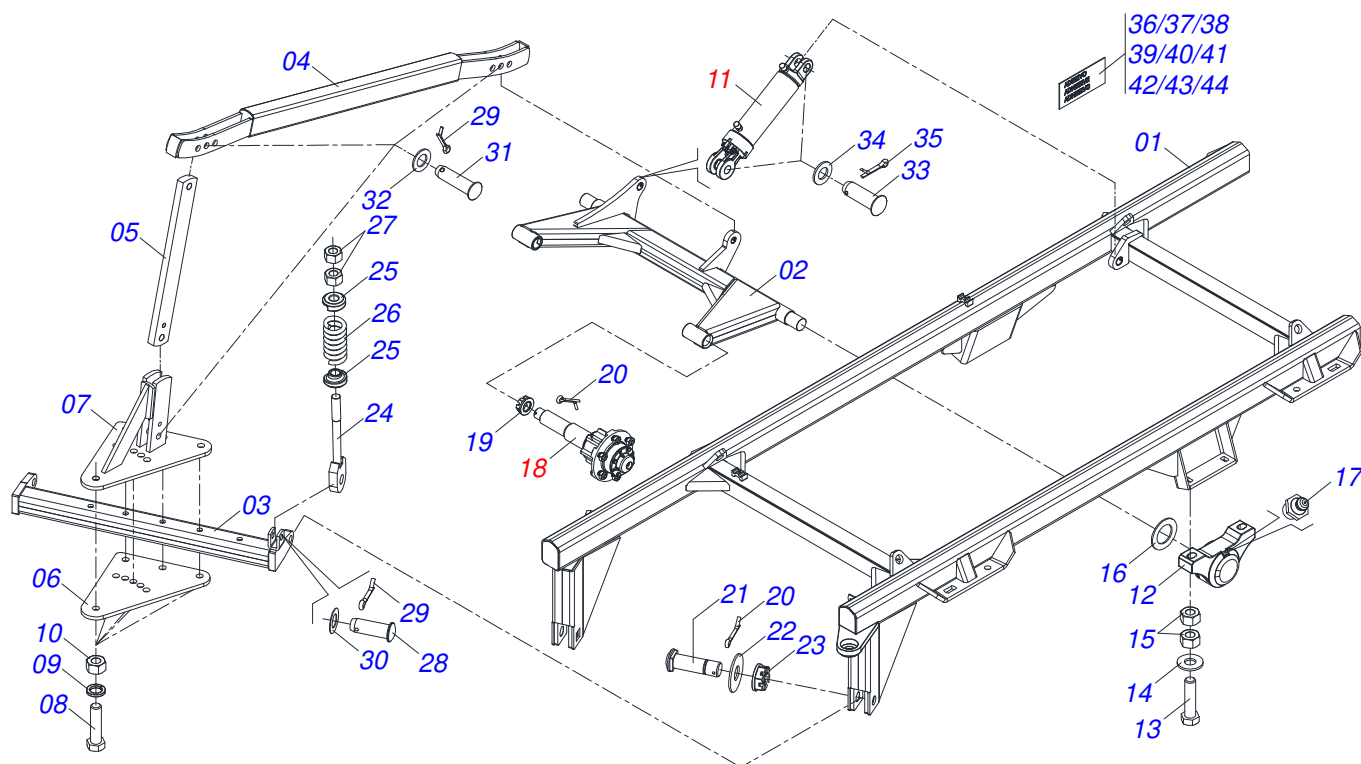
Item	Code	Description	See page	QT
01	0511066917	FRAME		01
02	0501066950	CARRYING-WHEELS		01
03	0501060370	OFFSET BAR		01
04	0511066932	STABILIZER BAR		01
05	0511012972	STABILIZER BAR TOWER		01
06	0501010241	UPPER /LOWER PLATE		01
07	0501066099	UPPER PLATE WITH SUPPORT		01
08	0501010060	1" X 6-1/2" BOLT		02
09	0503011438	SPRING WASHER		02
10	0501010059	1.5/8 NUT		02
11	0503011198	BOLT 3/4" UNC X 6" CS G.5		03
12	0503011442	3/4" SPRING WASHER		03
13	0511058298	HYDRAULIC CYLINDER 44,45 X 85,7 X 515 X 203	3	01
14	0501110856	ARTICULATION BEARING		02
15	0503010797	3/4" X 4" BOLT		04
16	0501010322	20,50 X 46 X 4,00 ZN FLAT WASHER		04
17	0503010014	3/4" ZN G.5 (HEAVY) UNC HEX NUT		08
18	0501017579	FLAT WASHER		02
19	0503010002	1800 GREASE FITTING		02
20	0501051636	STUB SHAFT & HUB ASSY	7	02
21	0501011301	1.1/2" UNC 6FPP 2.5/16" NUT		02
22	0503010010	SPLIT PIN 1/4" X 2.1/2"		04
23	0521017538	11-1/2" X 5" COUPLING SHAFT		02
24	0511019880	FLAT WASHER		02
25	0501011301	1.1/2" UNC 6FPP 2.5/16" NUT		02
26	0501064698	SPRING ROD		01
27	0502020392	SPRING SUPPORT		02
28	0503030441	12.7" X 5.7" X 0.5" SPRING		01
29	0501010059	1.5/8 NUT		02
30	0521010592	1.1" X 3.1" COUPLING SHAFT		01
31	0503010571	1/4" X 1.1/2" SPLIT PIN		04
32	0521010576	0.9" X 3.7" COUPLING SHAFT		03



Item	Code	Description	See page	QT
33	0501011445	FLAT WASHER		03
34	0561011883	FLAT WASHER		01
35	0503010523	1/4" X 2" SPLIT PIN		02
36	0521810779	AXIS JUNCTION 31.75 X 95 HOLE 80 SA ATCR		02
37	0501017779	FLAT WASHER 32 X 60 X 4,75		02
38	0503010014	3/4" ZN G.5 (HEAVY) UNC HEX NUT		03
39	0503060824	GAICR 300 DECAL ASSY		01
40	0503031087	AUTO CONTROL APPROVED DECAL		01
41	0503031428	READ MANUAL DECAL		01
42	0503031827	LUBRICATE AND RETIGHTEN DAILY DECAL		01
43	0503034499	HOSE IDENTIFICATION DECAL		01
44	0503034078	LIFTING POINTS DECAL		03
45	0503031738	WARNING DECAL		01
46	0503033038	DANGER DECAL		01
47	0503031739	DANGER DECAL		01



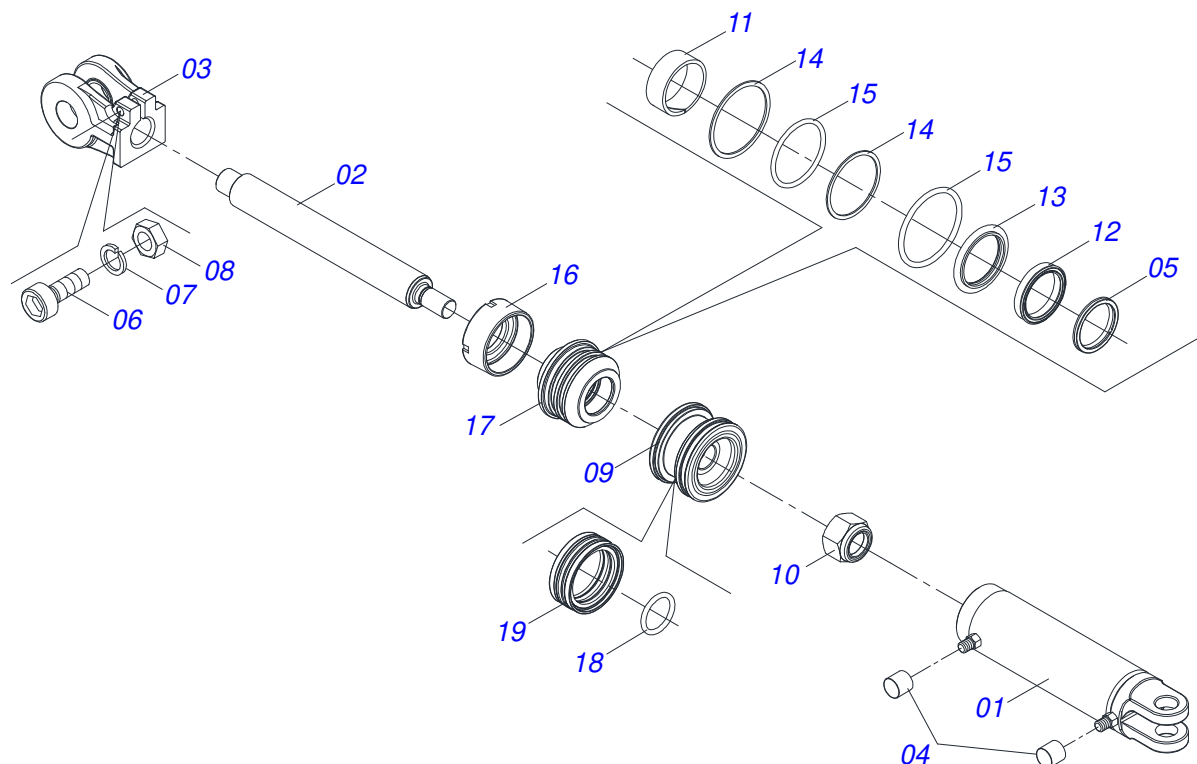
Item	Code	Description	See page	QT
01	0501051142	CARRYING WHEEL HUB	5	01
02	0521010822	AXLE 63,5 X 520		01
03	0501016545	FLAT WASHER		01
04	0503030009	1" CASTLE NUT		01
05	0503010018	5/32" X 1-1/2" SPLIT PIN		01
06	0502020591	PROTECCION COVER		01
07	0503011444	SPRING WASHER 5/16"		04
08	0503010358	5/16" X 5/8" BOLT		04
09	0503010002	1800 GREASE FITTING		01



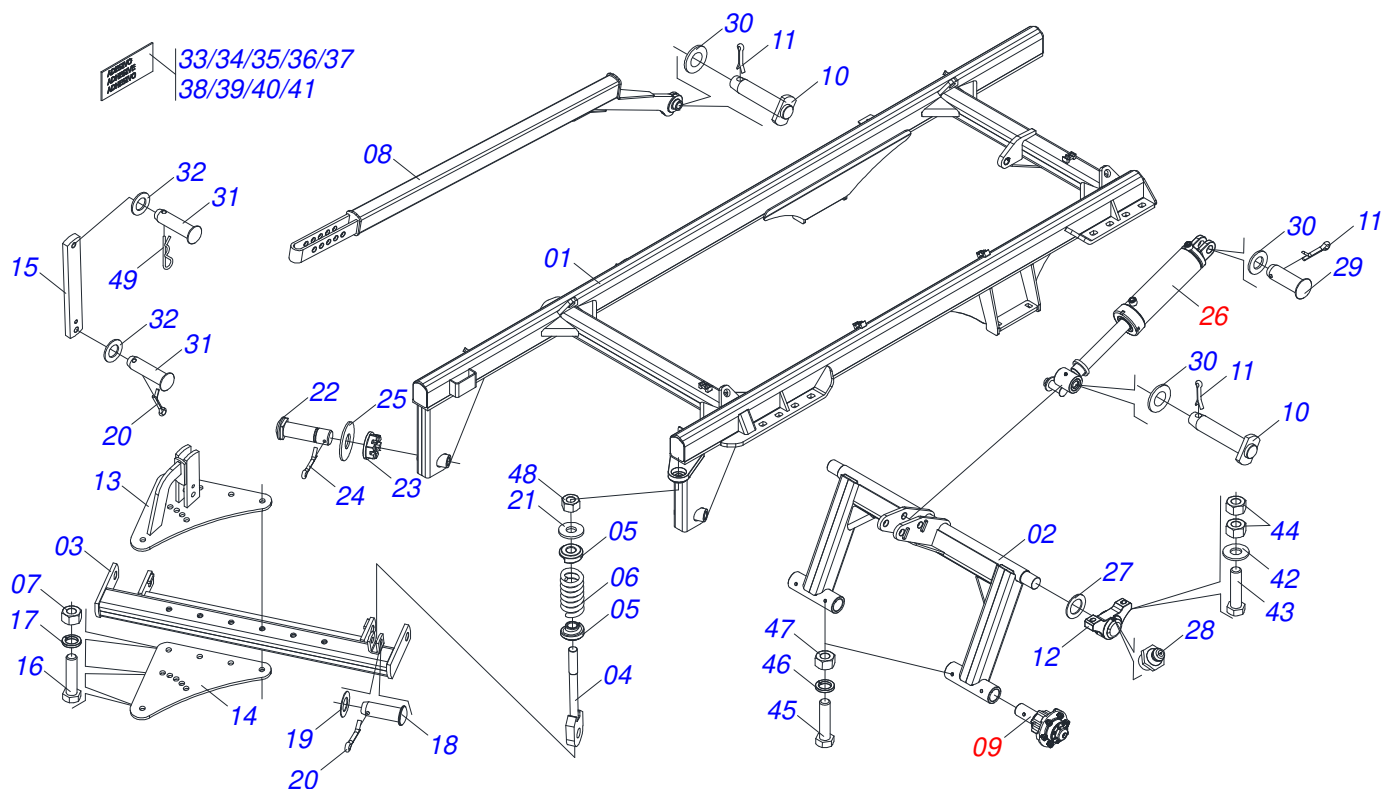
Item	Code	Description	See page	QT
01	0501065574	FRAME		01
02	0501065518	CARRYING-WHEELS		01
03	0501066262	OFFSET BAR		01
04	0511066932	STABILIZER BAR		01
05	0511012972	STABILIZER BAR TOWER		01
06	0511013000	UPPER /LOWER PLATE		01
07	0501066235	UPPER PLATE WITH SUPPORT		01
08	0501010334	1" X 7" BOLT		05
09	0503011438	SPRING WASHER		05
10	0501010059	1.5/8 NUT		05
11	0511059180	HYDRAULIC CYLINDER 50,80 X 101,60 X 515 X 203	9	01
12	0501110856	ARTICULATION BEARING		02
13	0503010797	3/4" X 4" BOLT		04
14	0501010322	20,50 X 46 X 4,00 ZN FLAT WASHER		04
15	0503010014	3/4" ZN G.5 (HEAVY) UNC HEX NUT		08
16	0501017579	FLAT WASHER		02
17	0503010002	1800 GREASE FITTING		02
18	0501051634	STUB SHAFT HUB ASSY	4	02
19	0501011301	1.1/2" UNC 6FPP 2.5/16" NUT		02
20	0503010010	SPLIT PIN 1/4" X 2.1/2"		04
21	0521017538	11-1/2" X 5" COUPLING SHAFT		02
22	0511019880	FLAT WASHER		02
23	0501011301	1.1/2" UNC 6FPP 2.5/16" NUT		02
24	0501064698	SPRING ROD		01
25	0502020392	SPRING SUPPORT		02
26	0503030441	12.7" X 5.7" X 0.5"SPRING		01
27	0501010059	1.5/8 NUT		02
28	0521010592	1.1" X 3.1" COUPLING SHAFT		01
29	0503010571	1/4" X 1.1/2" SPLIT PIN		04
30	0561011883	FLAT WASHER		01
31	0521010576	0.9" X 3.7" COUPLING SHAFT		03
32	0501011445	FLAT WASHER		03



Item	Code	Description	See page	QT
33	0521810779	AXIS JUNCTION 31.75 X 95 HOLE 80 SA ATCR		02
34	0501017779	FLAT WASHER 32 X 60 X 4,75		02
35	0503010523	1/4" X 2" SPLIT PIN		02
36	0503060824	GAICR 300 DECAL ASSY		01
37	0503031827	LUBRICATE AND RETIGHTEN DAILY DECAL		01
38	0503031428	READ MANUAL DECAL		01
39	0503031087	AUTO CONTROL APPROVED DECAL		01
40	0503034499	HOSE IDENTIFICATION DECAL		01
41	0503034078	LIFTING POINTS DECAL		04
42	0503033038	DANGER DECAL		01
43	0503031738	WARNING DECAL		01
44	0503031739	DANGER DECAL		01



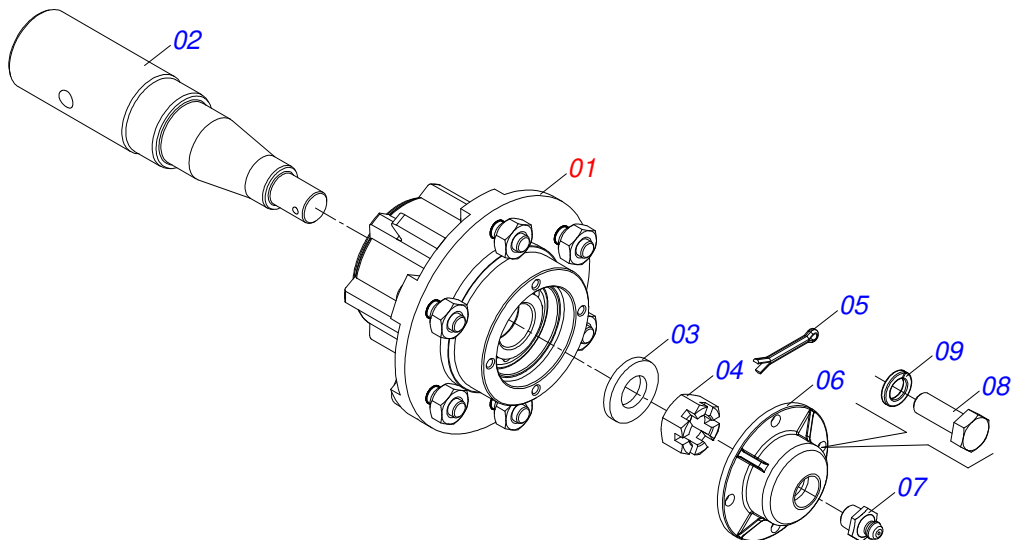
Item	Code	Description	See page	QT
01	0511070658	CYLINDER CASE		01
02	0571019958	HYDRAULIC CYLINDER TURNBUCKLE		01
03	0502040747	32.54 CLEVIS CLAMP		01
04	0503030385	CYLINDER PLUG N-002		02
05	0503010039	D-2000 SCRAPER RING		01
06	0503011094	BOLT 3/8" UNC X 2" C C S I 12.9		01
07	0503011443	SPRING WASHER 3/8"		01
08	0503010026	3/8" NUT		01
09	0502012820	2" X 4" PISTON		01
10	0503010817	SELF LOCKING NUT 1.1/4 UNF ALTA G.5 ZN		01
11	0503018025	RING GUIDE W2-2250-750		01
12	0503018026	GASKET 1870-2000-375 B POLYMAX		01
13	0503018024	RING BS OD050805200171D-BR		01
14	0503010338	2-342 N 3006-9B O'RING		02
15	0503011061	8-342 BACK-UP RING		02
16	0502012822	END CAP 4"		01
17	0502012821	2" X 4" RING SUPPORT		01
18	0503018029	O'RING 2-217 N 3006 90B		01
19	0503015633	SELEMASTER SEALING		01



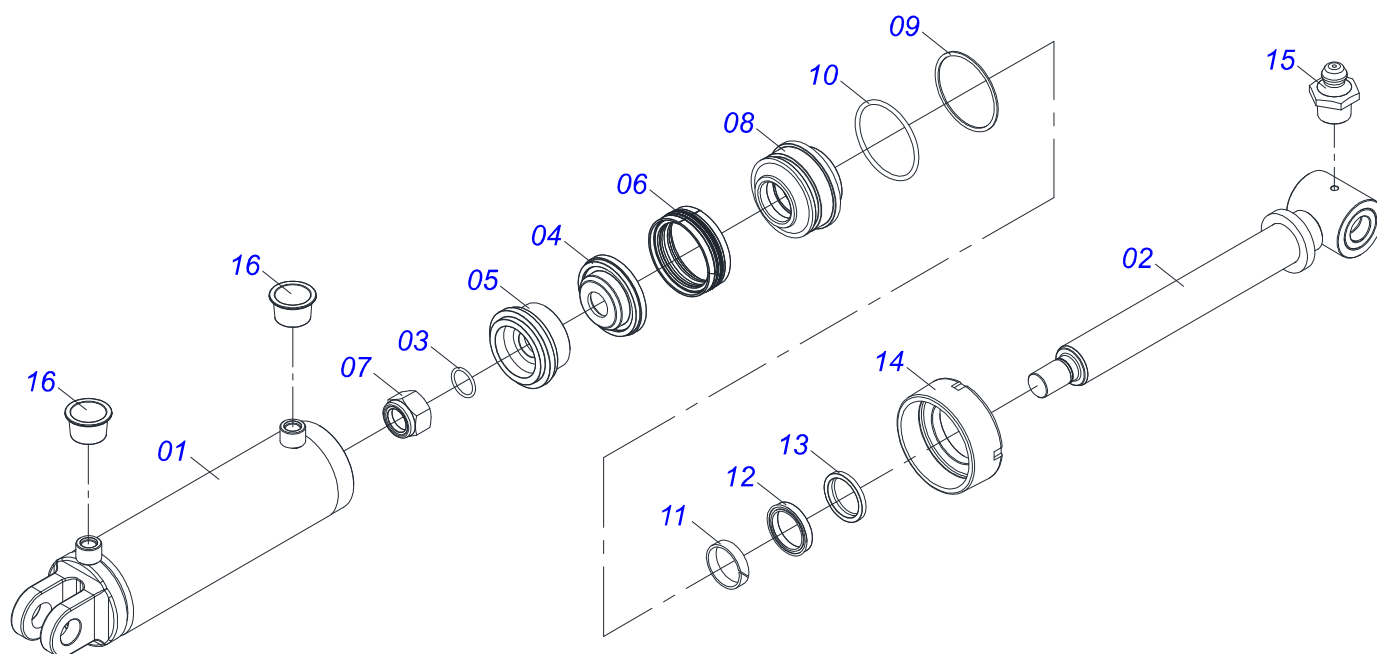
Item	Code	Description	See page	QT
01	0521069680	FRAME		01
02	0521069679	600 X 1400 WHEEL		01
03	0521062532	CONNECTION BAR 1324		01
04	0501064698	SPRING ROD		01
05	1902020393	SPRING UPPER SUPPORT		02
06	0503030441	12.7" X 5.7" X 0.5"SPRING		01
07	0501010059	1.5/8 NUT		06
08	0521069682	STABILIZING BAR 2590		01
09	0501054931	STUB SHAFT & HUB	11	02
10	0521069685	AXLE JUNCTION 31.75 X 137		02
11	0503010523	1/4" X 2" SPLIT PIN		03
12	0501110856	ARTICULATION BEARING		02
13	0521069686	TOP PLATE WITH SUPPORT		01
14	0521069137	LOWER PLATE FIXING BAR TRACTION		01
15	0581019738	STABILIZING BAR TOWER 650		01
16	0501010334	1" X 7" BOLT		06
17	0503011438	SPRING WASHER		06
18	0521010592	1.1" X 3.1" COUPLING SHAFT		01
19	0561011883	FLAT WASHER		01
20	0503010571	1/4" X 1.1/2" SPLIT PIN		02
21	0531016049	FLAT WASHER 27 X 52 X 4,75 ZN		01
22	0531019497	1.5" X 9.2" ARTICULATED AXIS		02
23	0501011301	1.1/2" UNC 6FPP 2.5/16" NUT		02
24	0503010010	SPLIT PIN 1/4" X 2.1/2"		02
25	0551012215	FLAT WASHER		02
26	0511050166	50,80 X 101,60 X 561 X 251 HYDRAULIC CYLINDER	12	01
27	0501017579	FLAT WASHER		02
28	0503010002	1800 GREASE FITTING		05
29	0521010779	31.75 X 95 COUPLING SHAFT		01
30	0501017779	FLAT WASHER 32 X 60 X 4,75		03
31	0521010576	0.9" X 3.7" COUPLING SHAFT		02
32	0501011445	FLAT WASHER		02



Item	Code	Description	See page	QT
33	0503031428	READ MANUAL DECAL		01
34	0503031087	AUTO CONTROL APPROVED DECAL		01
35	0503031827	LUBRICATE AND RETIGHTEN DAILY DECAL		01
36	0503060824	GAICR 300 DECAL ASSY		01
37	0503034499	HOSE IDENTIFICATION DECAL		01
38	0503034078	LIFTING POINTS DECAL		04
39	0503033038	DANGER DECAL		01
40	0503031738	WARNING DECAL		01
41	0503031739	DANGER DECAL		01
42	0501010322	20,50 X 46 X 4,00 ZN FLAT WASHER		04
43	0503011246	3/4" X 3-1/2" BOLT		04
44	0503011075	3/4 UNC LOCK NUT		04
45	0503010706	BOLT 1/2 UNC X 4.1/2 C S G.5 ZN		02
46	0521014188	FLAT WASHER		02
47	0503010589	1/2" UNC SELF ADJUSTING NUT		02
48	0503018754	NUT 1 - 8 UNC - 2B G8		01
49	0503031035	HITCH PIN CLIP		01

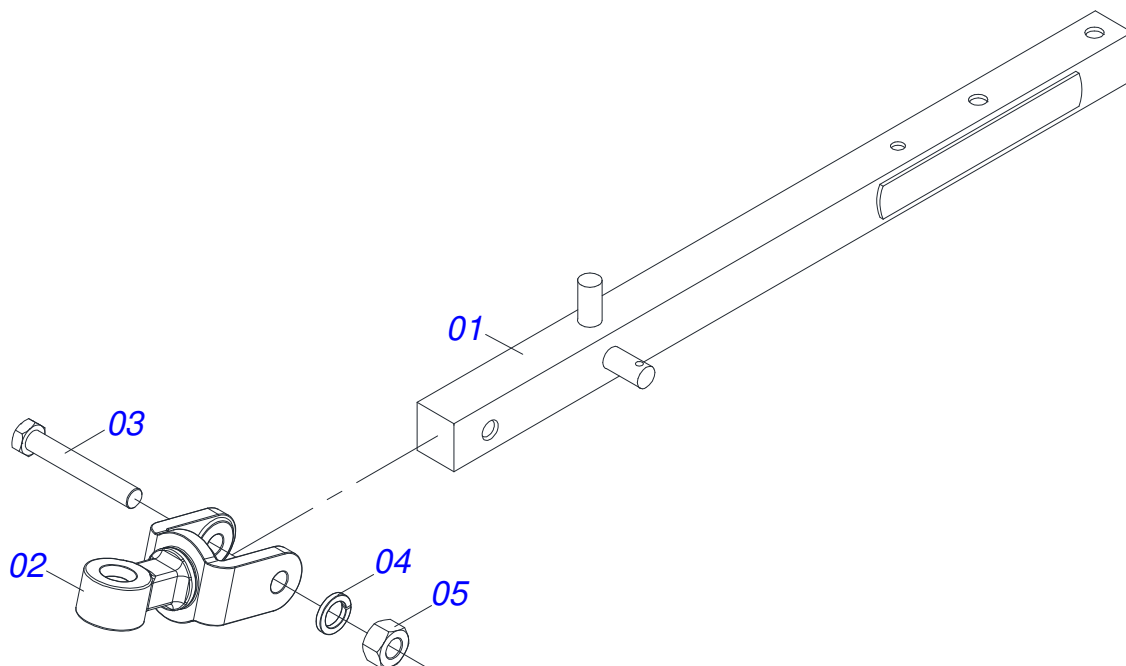


Item	Code	Description	See page	QT
01	0501051142	CARRYING WHEEL HUB	5	01
02	0541010739	2.5" X 12.2" AXLE		01
03	0501016545	FLAT WASHER		01
04	0503030009	1" CASTLE NUT		01
05	0503010018	5/32" X 1-1/2" SPLIT PIN		01
06	0502020591	PROTECCION COVER		01
07	0503010002	1800 GREASE FITTING		01
08	0503010358	5/16" X 5/8" BOLT		04
09	0503011444	SPRING WASHER 5/16"		04



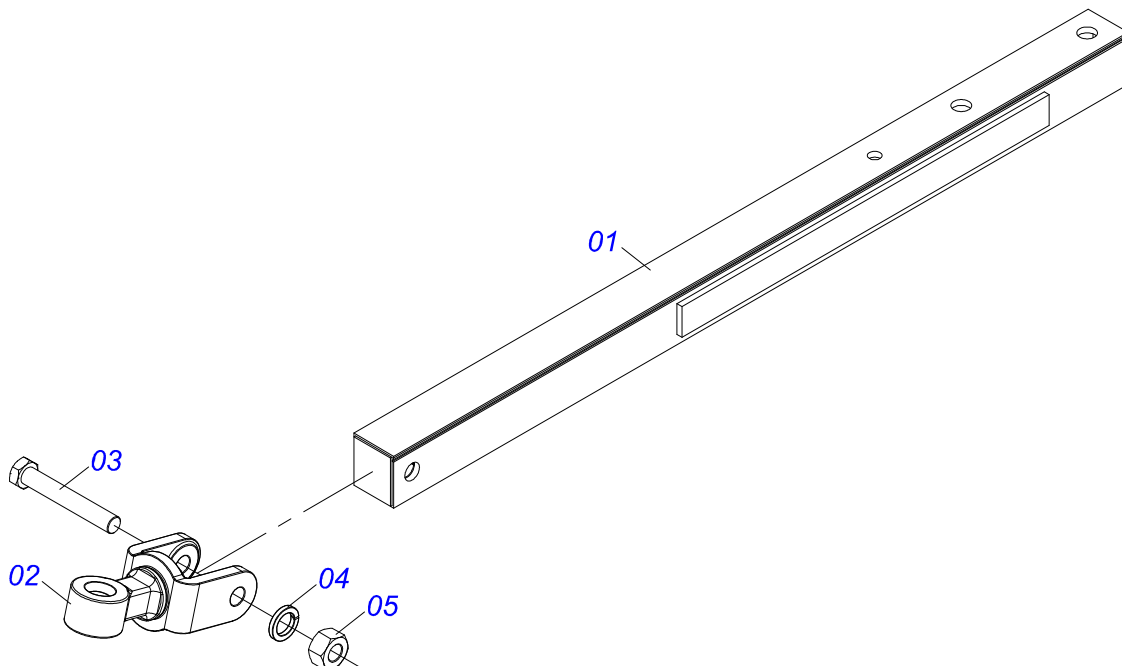
Item	Code	Description	See page	QT
01	0511066220	101,60 X 369 CYLINDER CASE		01
02	0511067445	50,8 X 452,5 EXTENDER		01
03	0503010345	2-218 N 3006-9B O'RING		01
04	0561016389	PISTON BODY		01
05	0561016387	PISTON BODY		01
06	0503015633	SELEMASTER SEALING		01
07	0503010817	SELF LOCKING NUT 1.1/4 UNF ALTA G.5 ZN		01
08	0502012642	SUPPORT OF THE RINGS		01
09	0503011061	8-342 BACK-UP RING		01
10	0503010338	2-342 N 3006-9B O'RING		01
11	0503015634	RING SLYDRING		01
12	0503015635	U-CUP SEAL		01
13	0503015636	SCRAPER SEAL		01
14	0502010017	4" LID		01
15	0503010002	1800 GREASE FITTING		01
16	0503030384	PLUG N-001		02
17	0501039361R	REPAIR KIT		01

DRAWBAR ASSY



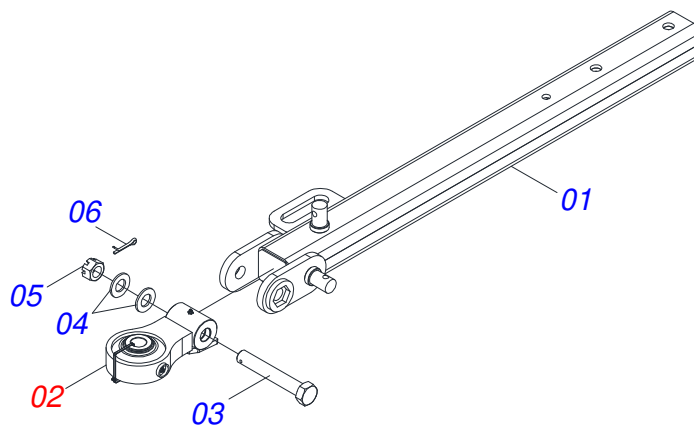
Item	Code	Description	See page	QT
01	0511065103	DRAWBAR ASSY		01
02	0521061775	TRACTOR HITCH		01
03	0501010060	1" X 6-1/2" BOLT		01
04	0503011438	SPRING WASHER		01
05	0501010059	1.5/8 NUT		01

DRAWBAR ASSY



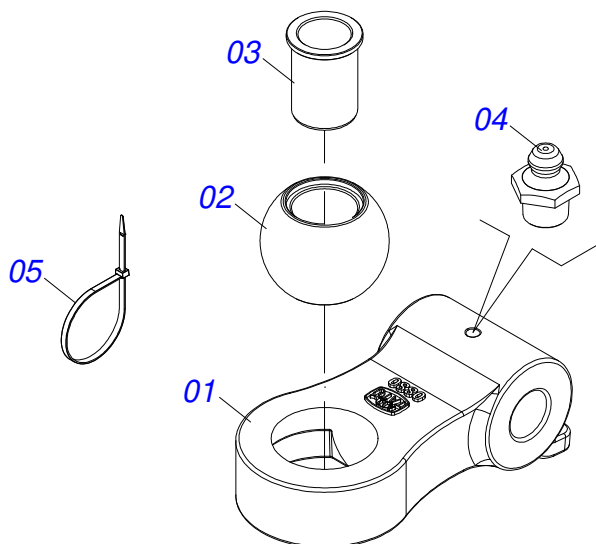
Item	Code	Description	See page	QT
01	0501060188	DRAWBAR ASSY		01
02	0521061775	TRACTOR HITCH		01
03	0501010060	1" X 6-1/2" BOLT		01
04	0503011438	SPRING WASHER		01
05	0501010059	1.5/8 NUT		01

TRACTION BAR ASSY



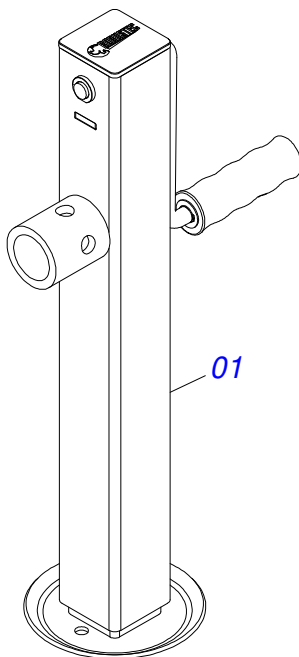
Item	Code	Description	See page	QT
01	0521069165	DRAWBAR		01
02	0521057520	HITCH ASSY	16	01
03	0581015973	1.1/4 UNC X 8 C S G5 SCREW		01
04	0501017779	FLAT WASHER 32 X 60 X 4,75		02
05	0503013026	1.1/4" CASTLE NUT		01
06	0503010010	SPLIT PIN 1/4" X 2.1/2"		01

HITCH ASSY

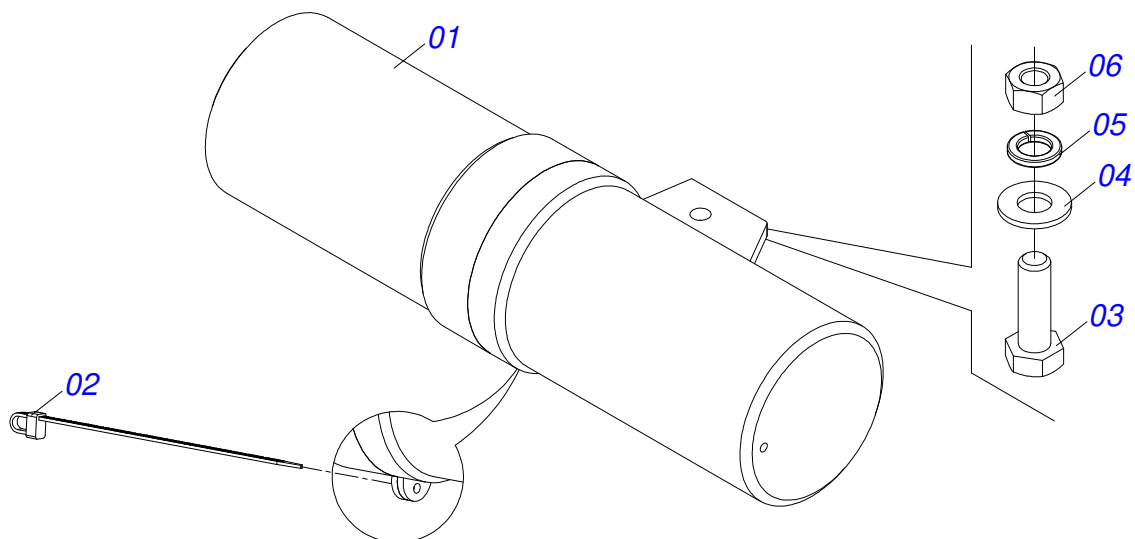


Item	Code	Description	See page	QT
01	0502040880	HITCH BODY		01
02	0502040885	BODY ATTACHMENT		01
03	0591012511	SLEEVE		01
04	0503010002	1800 GREASE FITTING		01
05	0503018829	NYLON CLAMP 7,8 X 1,8 X 390 MM		01

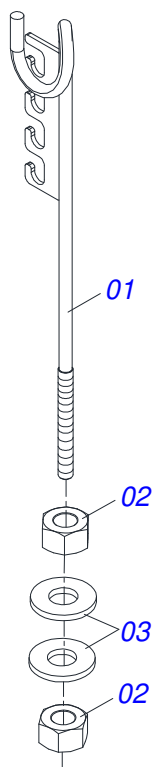
DRAWBAR JACK



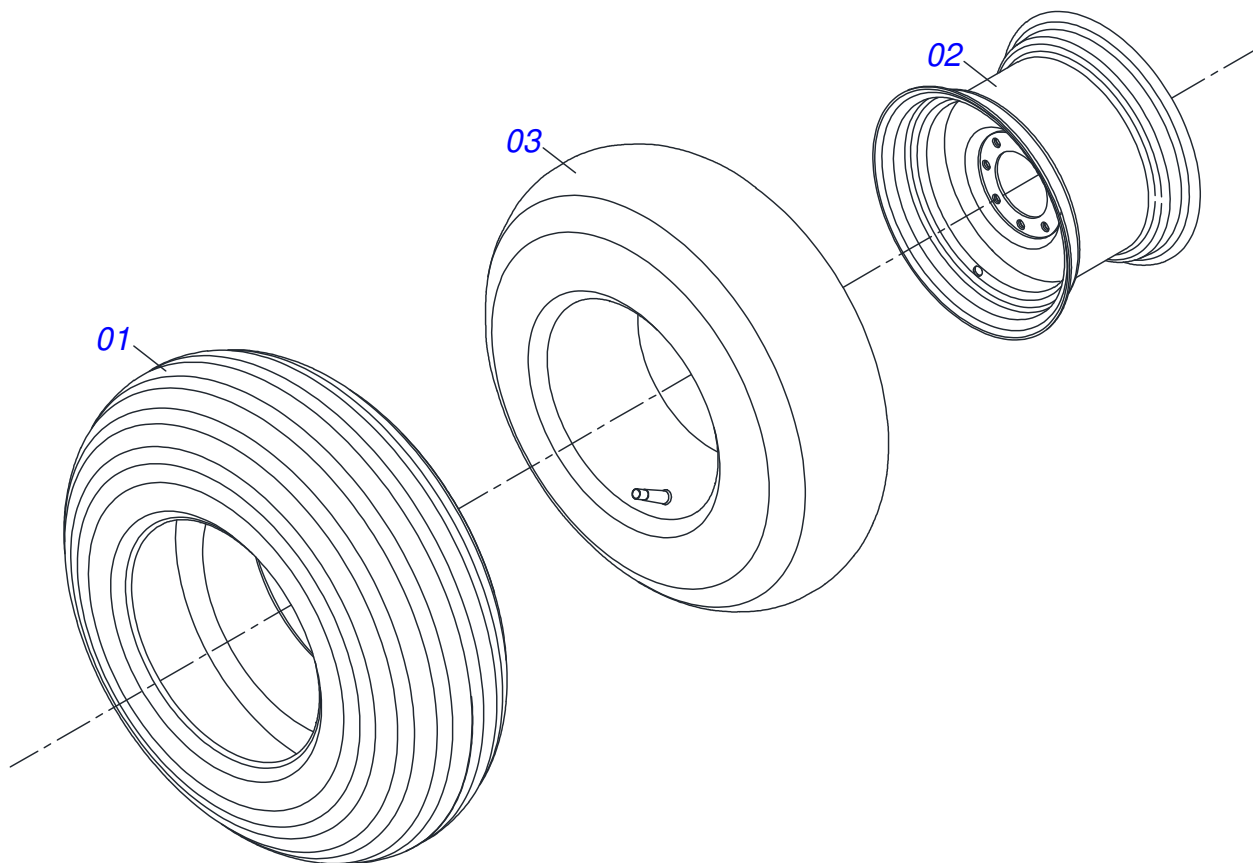
Item	Code	Description	See page	QT
01	0503062157	DRAWBAR JACK	17	01



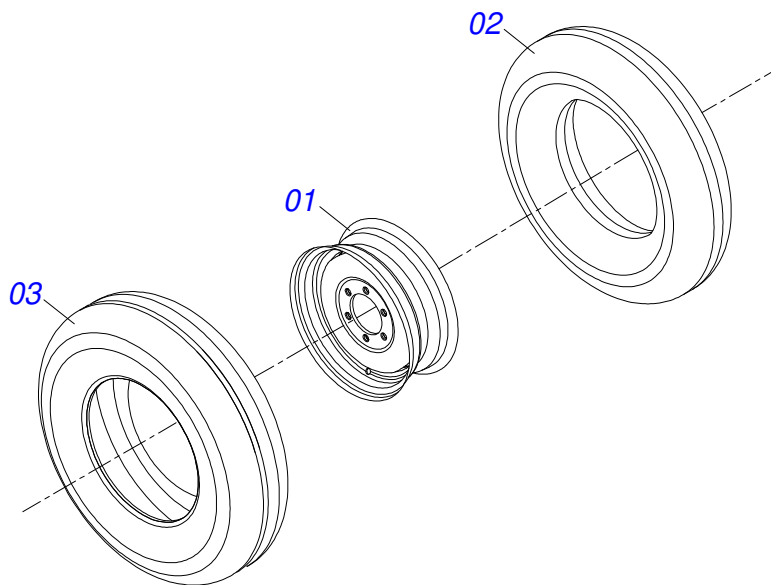
Item	Code	Description	See page	QT
01	0503060100	SUPPORT INSTRUCTION MANUAL		01
02	0503010267	NYLON CLAMP 3,60 X 1,3 X 155 MM		01
03	0503010363	BOLT 5/16 UNC X 1 C S G.2 ZN		01
04	0501010694	FLAT WASHER 32,50 X 75 X 4,75		01
05	0503010179	LOCK WASHER 5/16 ZN 1K01528		01
06	0503010337	NUT 5/16 UNC G.5 ZN		01



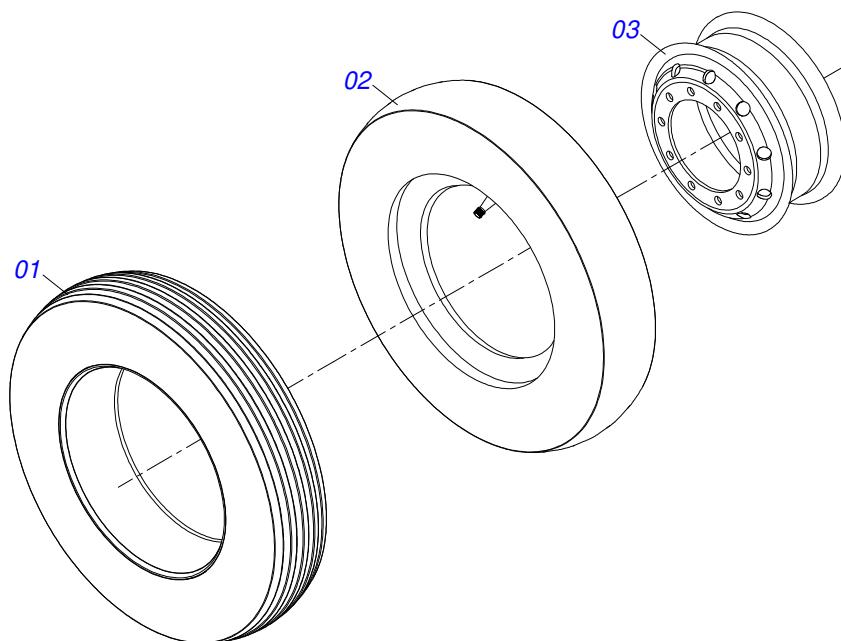
Item	Code	Description	See page	QT
01	0511067334	HOSE SUPPORT		01
02	0503010014	3/4" ZN G.5 (HEAVY) UNC HEX NUT		02
03	0501010322	20,50 X 46 X 4,00 ZN FLAT WASHER		02



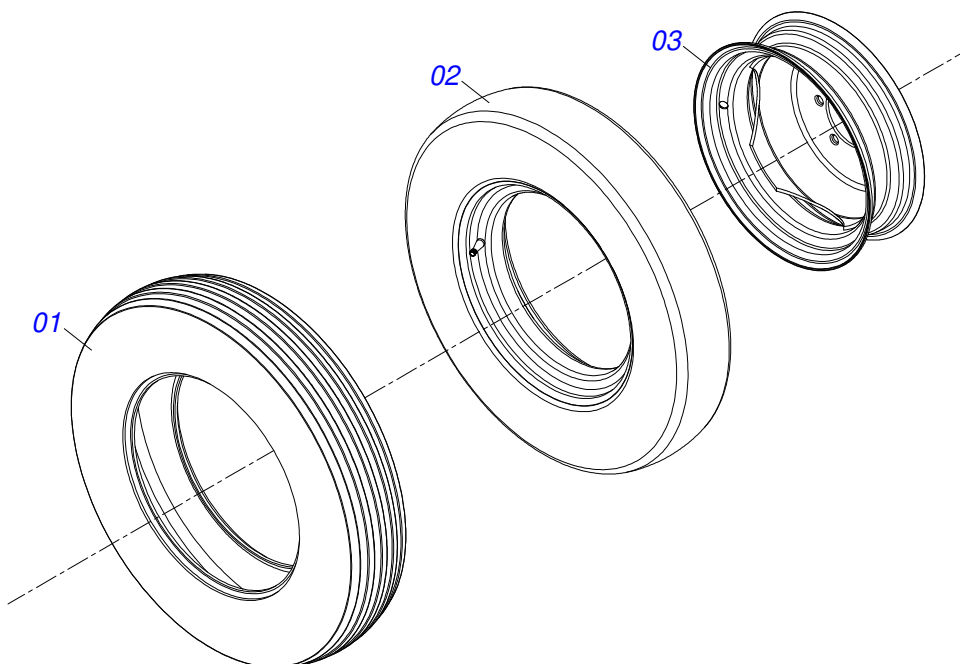
Item	Code	Description	See page	QT
01	0503010858	CANVAS TIRE		01
02	0503011468	WEEL		01
03	0503010860	AIR CHAMBER 11L 15		01



Item	Code	Description	See page	QT
01	0503010893	WHEEL		01
02	0503010033	7.50 X 16 INNER TIRE		01
03	0503010120	CANVAS TIRE		01

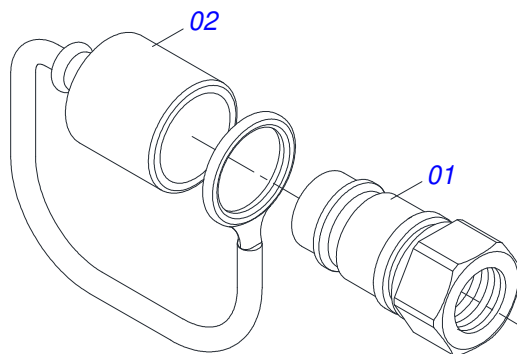


Item	Code	Description	See page	QT
01	0503010065	CANVAS TIRE		01
02	0503010068	6.00 X 16 INNER TIRE		01
03	0503010894	0.2"X0.6"X4.6"X6F0.6"X6" WHEEL		01

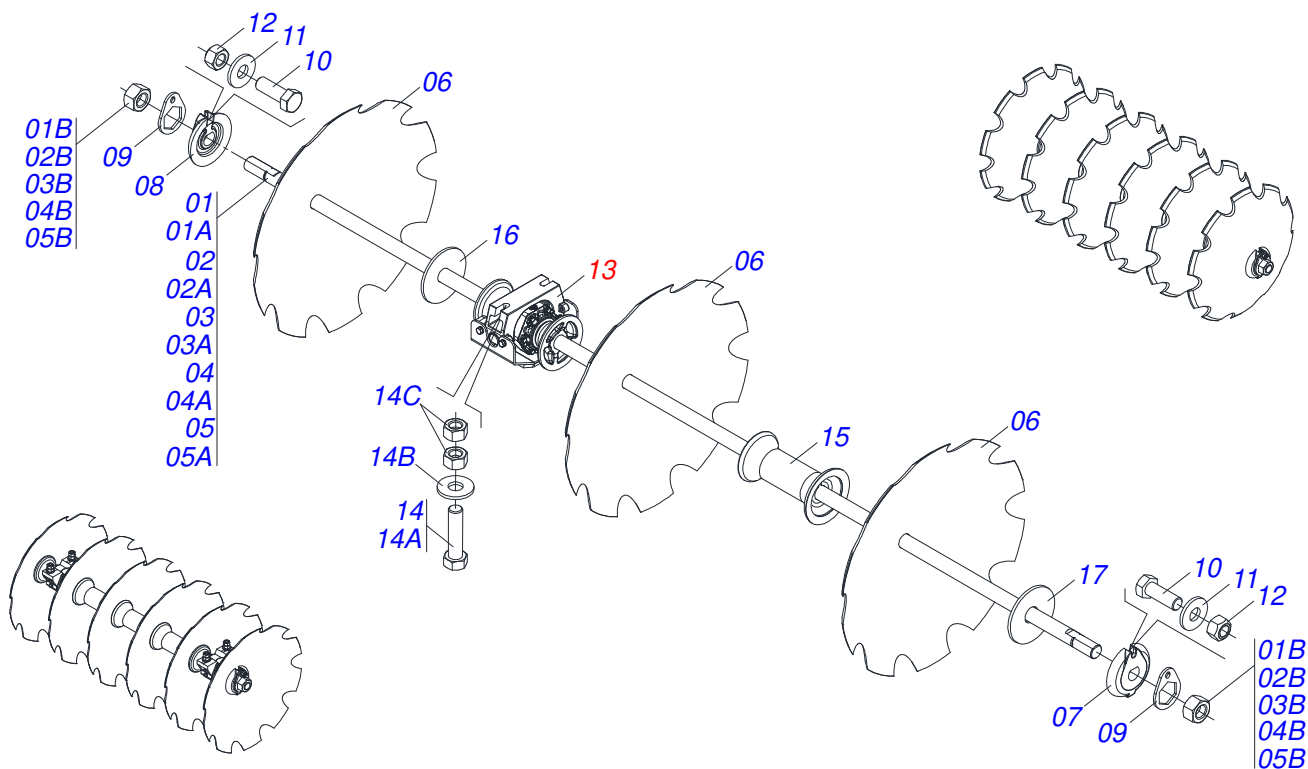


Item	Code	Description	See page	QT
01	0503010065	CANVAS TIRE		01
02	0503010068	6.00 X 16 INNER TIRE		01
03	0503014254	0.2" X 0.6" X 4.6" X 6F 0.6" X 6" WHEEL		01

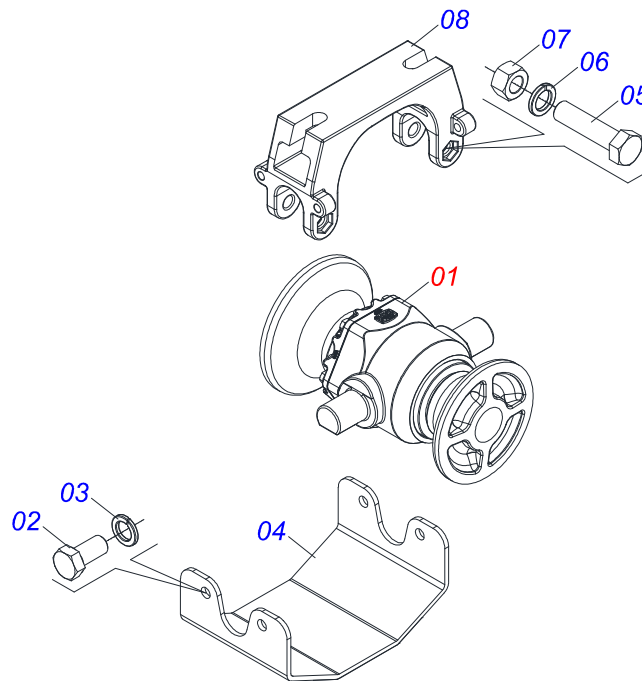
MALE QUICK COUPLER



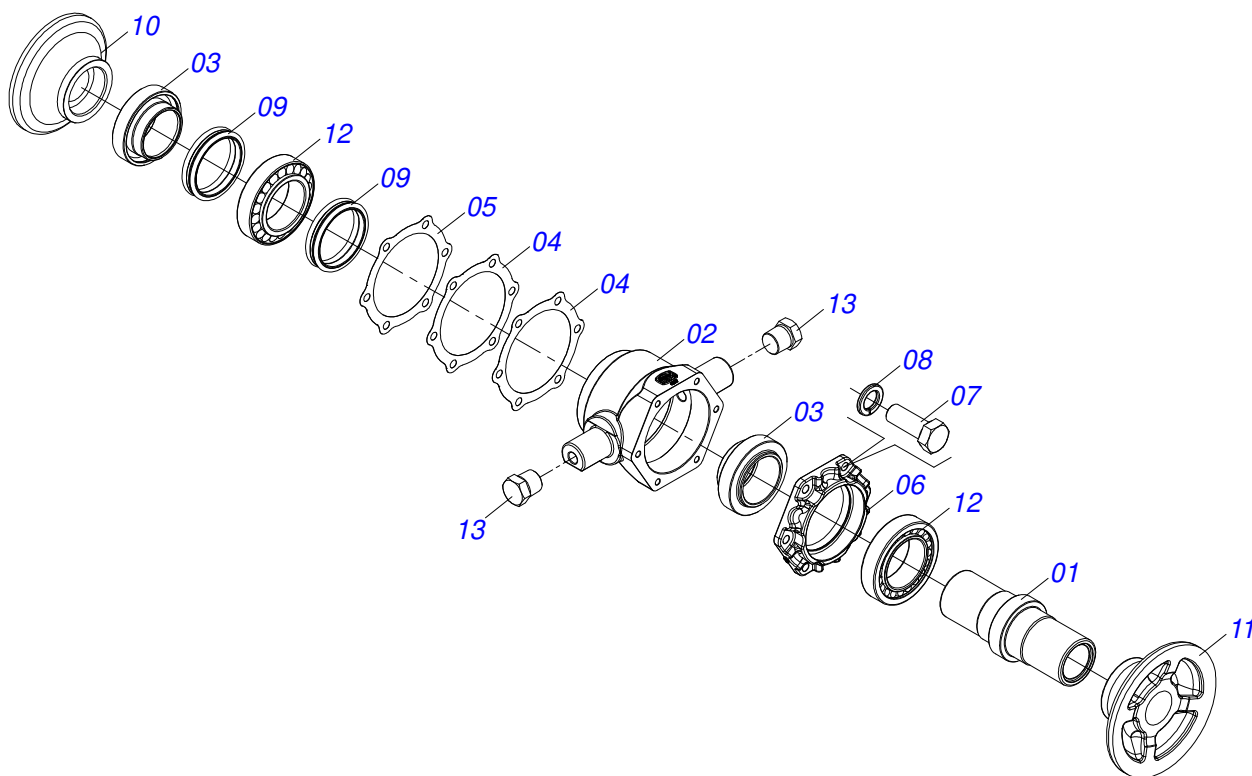
Item	Code	Description	See page	QT
01	0503011627	MALE QUICK COUPLER AGR 1/2 NPT		01
02	0503011882	MALE QUICK COUPLER CAP		01



Item	Code	Description	See page	12	14	16	18	20	22	24	26
01	0521045355	1.3/4 7FPP X 1060 AXLE		00	00	00	02	00	00	00	00
01A	0541010243	1.3/4 7FPP X 1060 AXLE		00	00	00	01	00	00	00	00
01B	0501010333	1.3/4" NUT		00	00	00	02	00	00	00	00
02	0511044700	1.3/4" X 1360MM AXLE		00	00	00	02	04	02	00	00
02A	0541010244	1.3/4 7FPP X 1360 AXLE		00	00	00	01	01	01	00	00
02B	0501010333	1.3/4" NUT		00	00	00	02	02	02	00	00
03	0511044701	1.3/4" 7FPP X 1660 AXLE WITH NUT		02	00	00	00	00	02	04	02
03A	0541010245	1.3/4 7FPP X 1660 AXLE		01	00	00	00	00	01	01	01
03B	0501010333	1.3/4" NUT		02	00	00	00	00	02	02	02
04	0511044702	1.3/4" 7FPP X 1960 AXLE ASSY		00	02	00	00	00	00	00	02
04A	0541010246	1.3/4" 7FPP X 1960 AXLE		00	01	00	00	00	00	00	01
04B	0501010333	1.3/4" NUT		00	02	00	00	00	00	00	02
05	0511044994	1.3/4 7FPP X 2260AXLE		00	00	02	00	00	00	00	00
05A	0541010271	1.3/4 7FPP X 2260 AXLE		00	00	01	00	00	00	00	00
05B	0501010333	1.3/4" NUT		00	00	02	00	00	00	00	00
06	0602033006	DR 26 X 6,00 C90AF04FR1.13/16 10R		12	14	16	18	20	22	24	26
06.	0602039003	DR 28 X 6,00 C102AF04FR1.13/16 10R		12	14	16	18	20	22	24	26
06..	0602037001	DR 28 X 7,50 C102AF04FR1.13/16 10R		12	14	16	18	20	22	24	26
06...	0602040041	DR 30 X 7,50 C105AF04FR1.13/16 10R		12	14	16	18	20	22	24	26
06....	0602040092	DR 30 X 9,00 C105AF04FR1.13/16 10R		12	14	16	18	20	22	24	26
07	0502012221	1-1/2" INNER AXLE WASHER		02	02	02	04	04	04	04	04
08	0502012222	1-3/4" EXTERNAL AXLE WASHER		02	02	02	04	04	04	04	04
09	0511014339	1-5/8" 2.8" NUT LOCK		04	04	04	08	08	08	08	08
10	0503010232	5/8" X 1.3/4" BOLT		04	04	04	08	08	08	08	08
11	0511017302	FLAT WASHER 13,50 X 32,50 X 3,0 ZN		04	04	04	08	08	08	08	08
12	0503012412	5/8" UNC SELF LOCKING NUT		04	04	04	08	08	08	08	08
13	0521040965	AGRICULTURAL BEARING W/SUPPORT	26	04	04	06	08	08	08	08	08
14	0521047424	SCREW ASSY		08	08	12	16	16	16	16	16
14A	0501010500	3/4" X 3" BOLT		01	01	01	01	01	01	01	01
14B	0501010322	20,50 X 46 X 4,00 ZN FLAT WASHER		01	01	01	01	01	01	01	01
14C	0503012183	SNC 3/4" ZIN 1K03097 NUT		02	02	02	02	02	02	02	02
15	0502012193	292 X 1.3/4" SPACER		06	08	08	06	08	10	12	14



Item	Code	Description	See page	QT
01	0511052021	AGRICULTURAL BEARING	27	01
02	0503010834	1/2 X 1 BOLT		04
03	0503010019	1/2" SPRING WASHER		04
04	0502012626	CENTER OSCILLATING BEARING SUPPORT		01
05	0503010762	SCREW 5/8 UNC X 3.1/2 CS G.5 ZN		02
06	0503010013	5/8 UNC G.5 ZN HEX NUT		02
07	0503010027	5/8 SPRING WASHER		02
08	0501213922	BEARING LID		01



Item	Code	Description	See page	QT
01	0502010824	AXLE CM/DM		01
02	0502012343	AGRICULTURAL HOUSING BEARING		01
03	0502010823	SEAL RETAINER		02
04	0503030030	5.6" X 4.4" X 0.01" GASKET		02
05	0503030685	5.5" X 4.4" X 0.003" GASKET		01
06	0502020161	WEAR PLATE BEARING		01
07	0503010237	3/8" X 1" BOLT		06
08	0503011443	SPRING WASHER 3/8"		06
09	0503030027	DUO-CONE SEAL		02
10	0502012194	INNER FLANGE		01
11	0502012195	BEARING OUTER FLANGE		01
12	0503010104	3984/3920 ROLLER BEARING		02
13	0503010856	OIL PLUG R 3/8 BSPT		02



MARCHESAN

Technical Publications | Elaboration and Revision
LEONARDO JOSÉ DA SILVA SOUZA

www.marchesan.com.br

