

**PCA 600/800/1100 - PCA 600/800/1100P**

**PCA 800 / PCA 800 P**  
**PCA 800 / PCA 800 P**

**Code:** 0501093698  
**Series:** S-0723  
**Revision:** 00  
**Revision Date:** NOVEMBER/2023

# PARTS CATALOGUE



**MARCHESAN**



# PRODUCTS

Code	Working Width	Description
0106112524		PCA 800 P S-0723
0106112527		PCA 800 P S-0723
0106112528		PCA 800 P S-0723
0106112519		PCA 800 S-0723
0106112522		PCA 800 S-0723
0106112523		PCA 800 S-0723

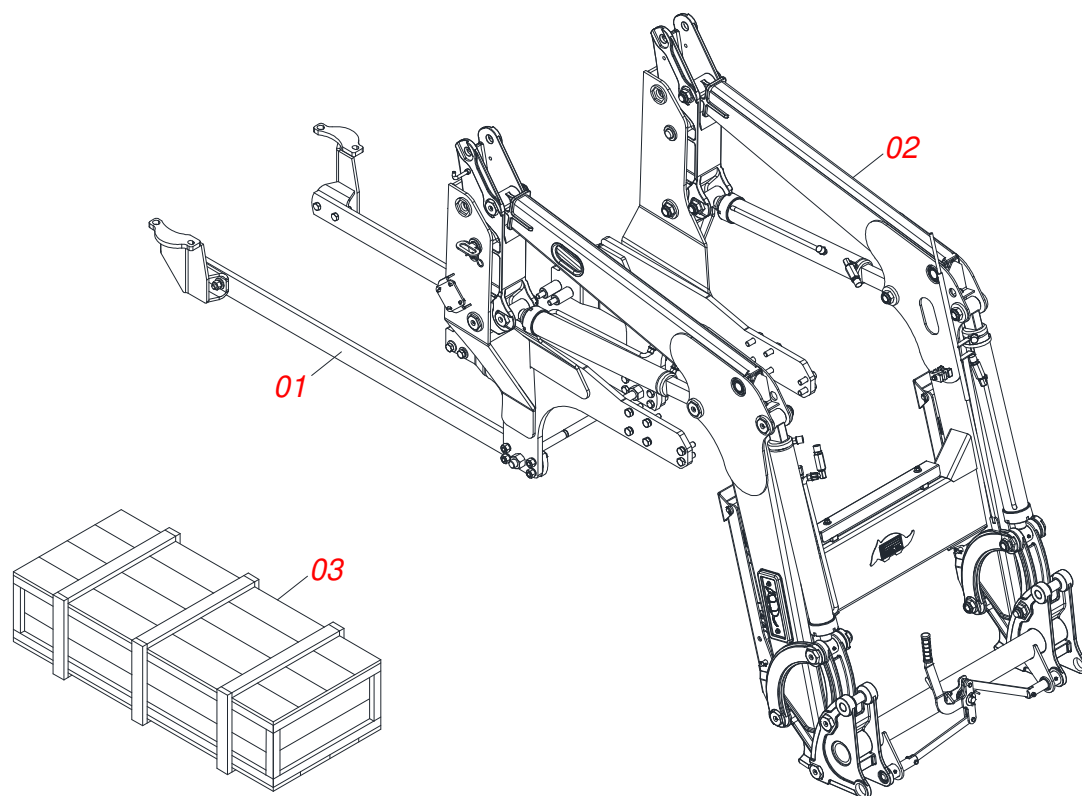
## ATTENTION: IMPORTANT

Marchesan S.A. reserves the right to improve and/or modify the technical features of its products, without obligation to do the same with those products already sold and without prior knowledge of the dealer or the customer. The photos are only illustrative.

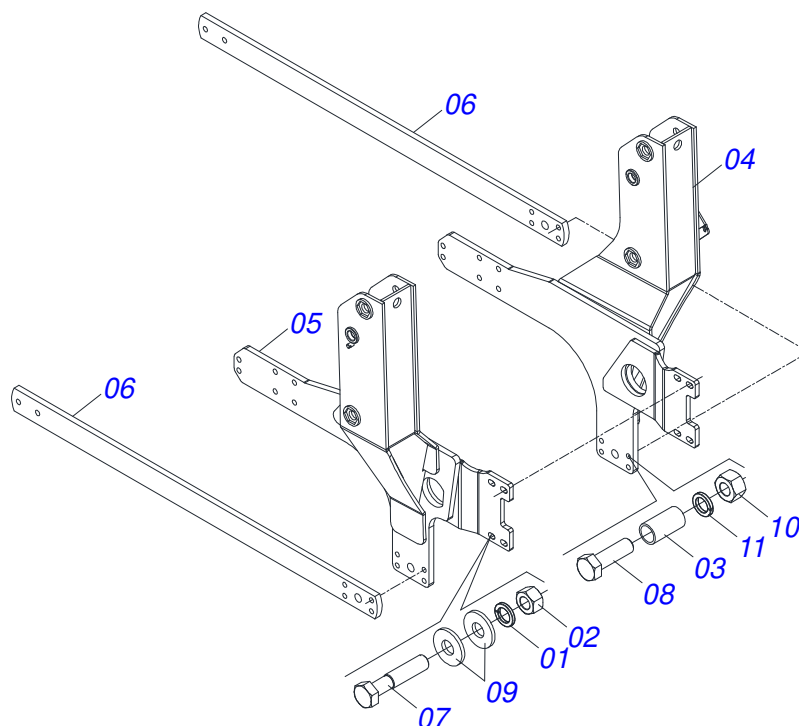


# INDEX

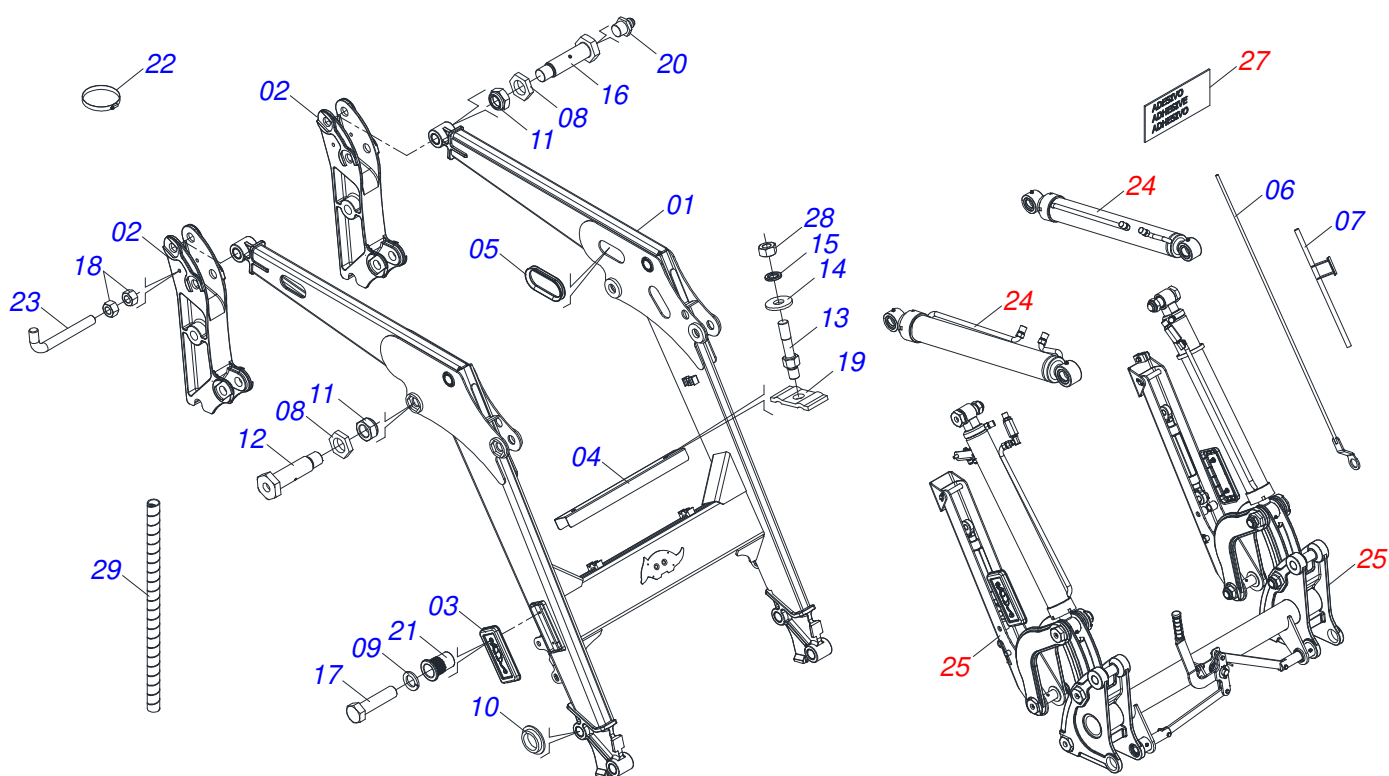
0909096924	PCA 800 / PCA 800 P	.....	1
0531042231	FRAME ASSEMBLY WITH REAR BAR	.....	2
0531044058	ASSY MOBILE SUPPORT	.....	3
0531044054	MOBILE SUPPORT ASSY	.....	4
0521029281	BOX WITH COMPONENTS	.....	5
0501053834	MALE QUICK COUPLER	.....	6
0511034485	PACKAGED PARTS	.....	7
0501041652	FULL 1.1/4" X 31.88" ROD ASSY	.....	8
0521052700	HOSE ASSY	.....	9
0531020369	BOX WITH COMPONENTS	.....	10
0521047931	COMMAND 1/2	.....	11
0531044005	JOYSTICK SUPPORT ASSEMBLY	.....	12
0521048404	CONNECTION	.....	13
0541052425	HOSE SET	.....	14
0511034805	PACKAGED PARTS	.....	15
0531020375	BOX WITH COMPONENTS	.....	16
0521047932	COMMAND	.....	17
0511034806	PACKAGED PARTS	.....	18



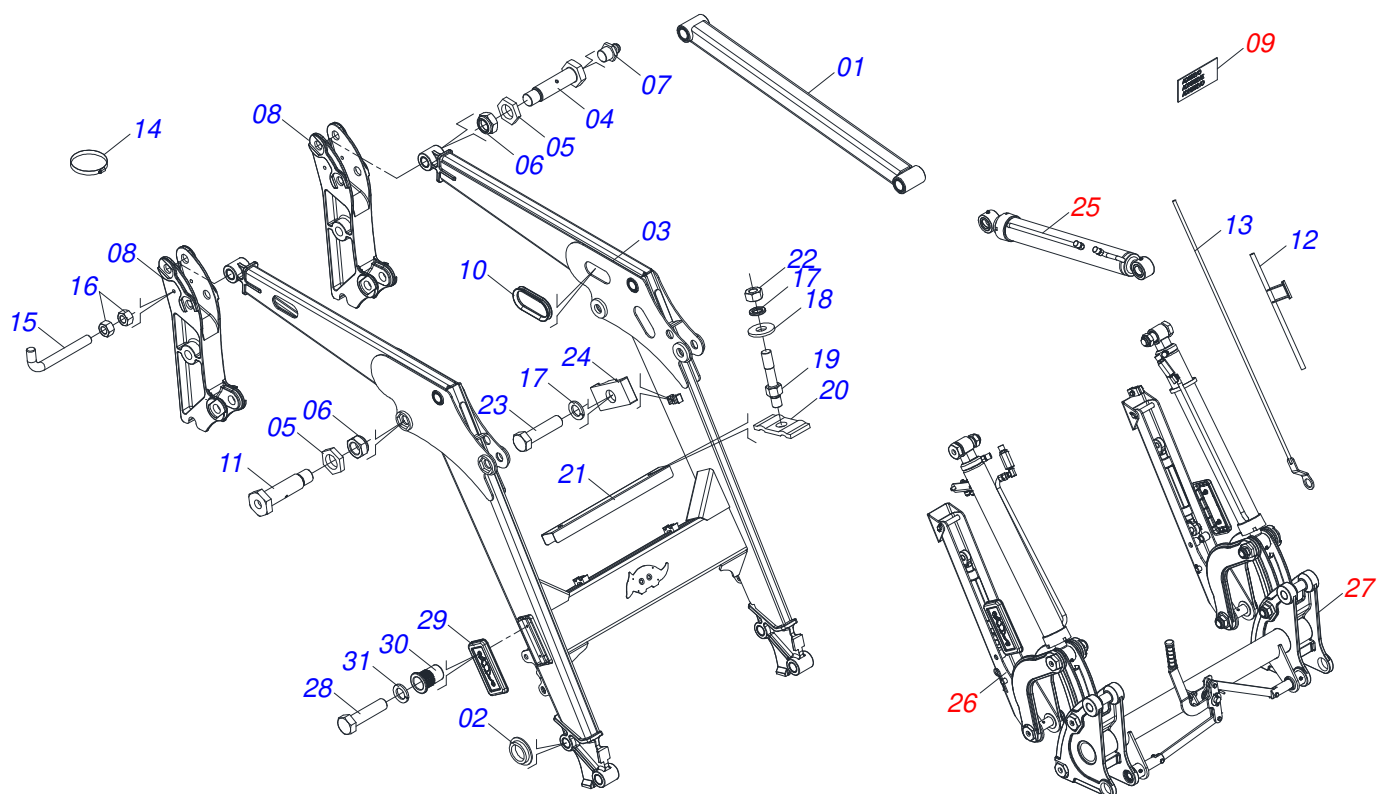
Item	Code	Description	See page	PCA	PCA P
01	0531042231	FRAME ASSEMBLY WITH REAR BAR	2	01	00
02	0531044058	ASSY MOBILE SUPPORT	3	01	00
02.	0531044054	MOBILE SUPPORT ASSY	4	00	01
03	0521029281	BOX WITH COMPONENTS	5	01	01
03.	0531020369	BOX WITH COMPONENTS	10	01	01
03..	0531020375	BOX WITH COMPONENTS	16	01	01



Item	Code	Description	See page	QT
01	0503010027	5/8 SPRING WASHER		02
02	0503010013	5/8" UNC G.5 ZN HEX NUT		02
03	0581015170	SLEEVE		04
04	0531065543	RIGHT FRAME		01
05	0531065544	LEFT FRAME		01
06	0581010145	REAR BAR RIGHT FRAME		02
07	0501011541	BOLT 5/8" UNC X 3 CS G.5 ZN1K28066		02
08	0513010547	3/4 UNC X 5.1/2 CS G.5 ZN SCREW		04
09	0501012140	FLAT WASHER 16,50 X 40 X 4,00 ZN		04
10	0503010014	3/4" ZN G.5 (HEAVY) UNC HEX NUT		04
11	0503011442	3/4" SPRING WASHER		04



Item	Code	Description	See page	QT
01	0531065062	MOVABLE SUPPORT		01
02	0502012947	SUPPORT BARS		02
03	0503035532	MOBILE SUPPORT COVER		02
04	0501217671	HOSE PROTECTION		01
05	0503035468	HOSE PROTECTION		02
06	0521068692	LEVEL ROD		01
07	0521067968	ROD GUIDE		01
08	0581010243	WASHER HEX		04
09	0503010143	1/4" SPRING WASHER		04
10	0591010982	WASHER SPACER		04
11	0503010044	SELF LOCKING NUT 1.1/4 UNF G.5 ZN		08
12	0501211045	1.1/4 UNF X 111 SCREW		04
13	0581014286	PRISONER		02
14	0501012803	FLAT WASHER 12 X 30 X 3,00 ZN		02
15	0503010180	7/16" SPRING WASHER		02
16	0581016851	BOLT		04
17	0503010743	1/4" X 1-1/4" BOLT		04
18	0503010060	1/2 UNC G.5 ZN HEX NUT		02
19	0531011180	UPPER BODY CLIP		02
20	0503010002	1800 GREASE FITTING		08
21	0503019901	INTERNAL THREAD RIVET RM 1/4 P30S		04
22	0503011372	102 TO 121 CLAMP		01
23	0581010285	CONTROL LOCKING HOOK		01
24		HIDRAULIC SYSTEM MOBILE SUPPORT		
25		JACK ASSEMBLY		
26		ARTICULATION ASSEMBLY		
27		DECAL SET		
28	0503010244	7/16" NUT		02
29	0581011170	HOSE PLASTIC PROTECTION SPRING		01



Item	Code	Description	See page	QT
01	0521068512	STABILIZER ARM		02
02	0591010982	WASHER SPACER		04
03	0531065062	MOVABLE SUPPORT		01
04	0581016851	BOLT		04
05	0581010243	WASHER HEX		14
06	0503010044	SELF LOCKING NUT 1.1/4 UNF G.5 ZN		14
07	0503010002	1800 GREASE FITTING		14
08	0502012947	SUPPORT BARS		02
09		DECAL SET		
10	0503035468	HOSE PROTECTION		02
11	0501211045	1.1/4 UNF X 111 SCREW		02
12	0521067968	ROD GUIDE		01
13	0521068692	LEVEL ROD		01
14	0503011372	102 TO 121 CLAMP		01
15	0581010285	CONTROL LOCKING HOOK		01
16	0503010060	1/2 UNC G.5 ZN HEX NUT		02
17	0503010180	7/16" SPRING WASHER		03
18	0501012803	FLAT WASHER 12 X 30 X 3,00 ZN		02
19	0581014286	PRISONER		02
20	0531011180	UPPER BODY CLIP		02
21	0501217671	HOSE PROTECTION		01
22	0503010244	7/16" NUT		02
23	0503012555	SCREW 7/16 UNC X 2 CS RT G.7 ZN		01
24	0502010477	HOSE CLAMP		02
25		HYDRAULIC ASSEMBLY		
26		JACK ASSEMBLY		
27		ARTICULATION ASSEMBLY		
28	0503010743	1/4" X 1-1/4" BOLT		04
29	0503035532	MOBILE SUPPORT COVER		02
30	0503019901	INTERNAL THREAD RIVET RM 1/4 P30S		04

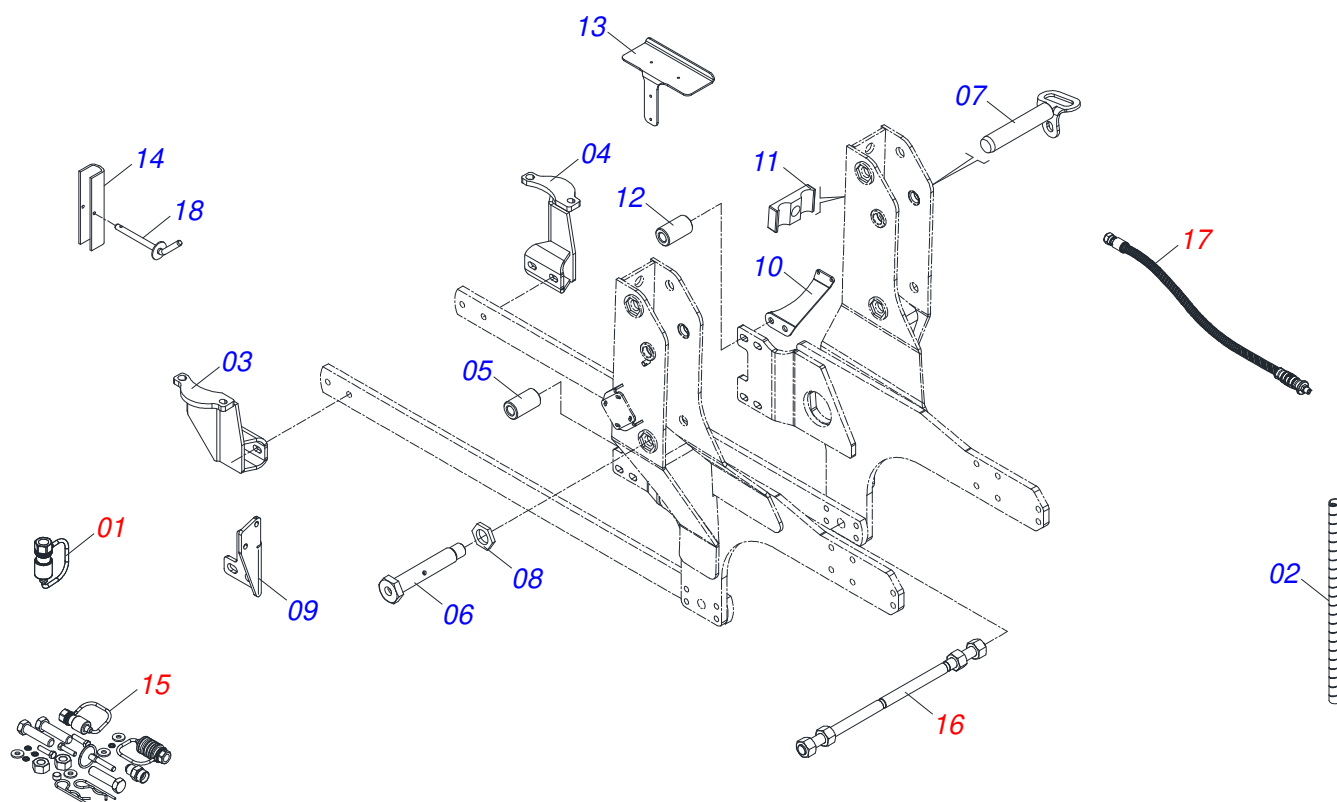


PCA 800 / PCA 800 P  
MOBILE SUPPORT ASSY

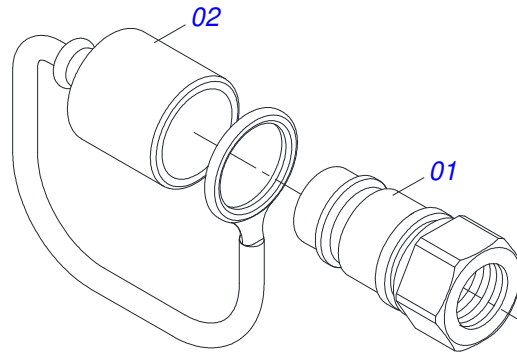
Page 4  
0531044054

Item	Code	Description	See page	QT
31	0503010143	1/4" SPRING WASHER		04

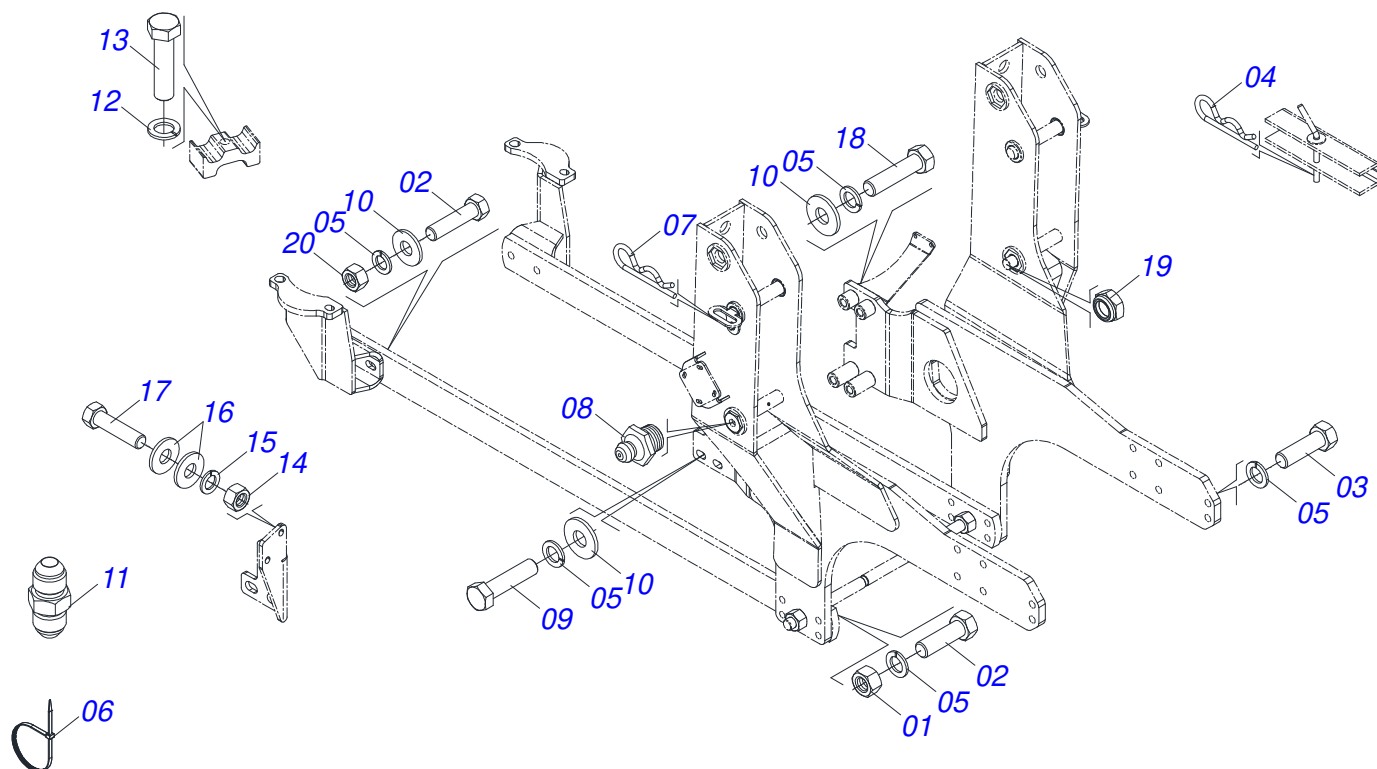




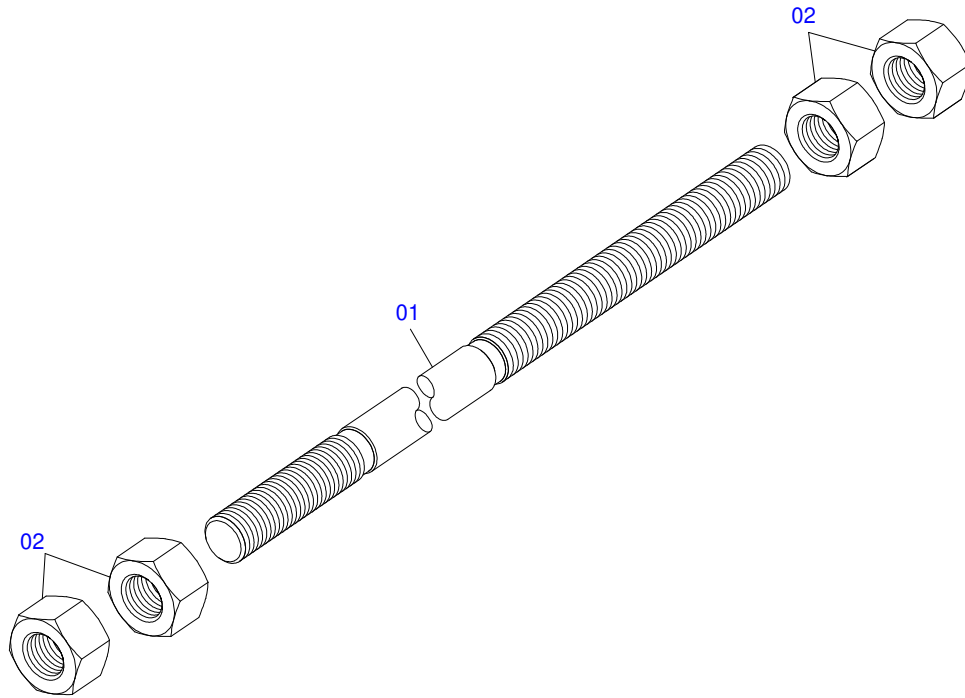
Item	Code	Description	See page	QT
01	0501053834	MALE QUICK COUPLER	6	04
02	0581010090	SPRING PROTECTION PLASTIC HOSE		04
03	0531065545	RIGHT REAR SUPPORT		01
04	0531065546	REAR LEFT SUPPORT		01
05	0551019342	SLEEVE		04
06	0581015006	BOLT		02
07	0531065321	FIXING AXIS MOBILE SUPPORT		02
08	0501216405	WASHER 37,8 EXTERNAL HEXAGON 58 X 8,00		02
09	0501219039	EXHAUST SUPPORT		01
10	0501219026	FILTER SUPPORT		01
11	1902010477	UPPER CLAMP BODY		02
12	0571018372	SLEEVE		04
13	0571018366	SUPPORT TOOL CHEST		01
14	0501217728	LOCK FOR TRANSPORTATION		02
15	0511034485	PACKAGED PARTS	7	01
16	0501041652	FULL 1.1/4" X 31.88" ROD ASSY	8	01
17	0521052700	HOSE ASSY	9	01
18	0501068994	8,30 X 78 LOCK PIN		02



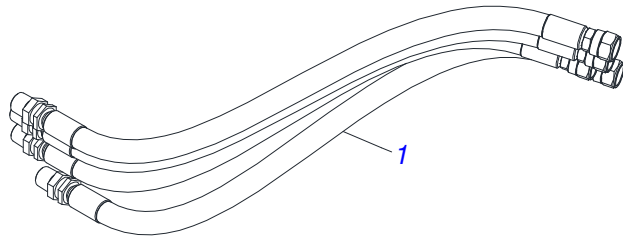
Item	Code	Description	See page	QT
01	0503011627	MALE QUICK COUPLER AGR 1/2 NPT		01
02	0503011882	MALE QUICK COUPLER CAP		01



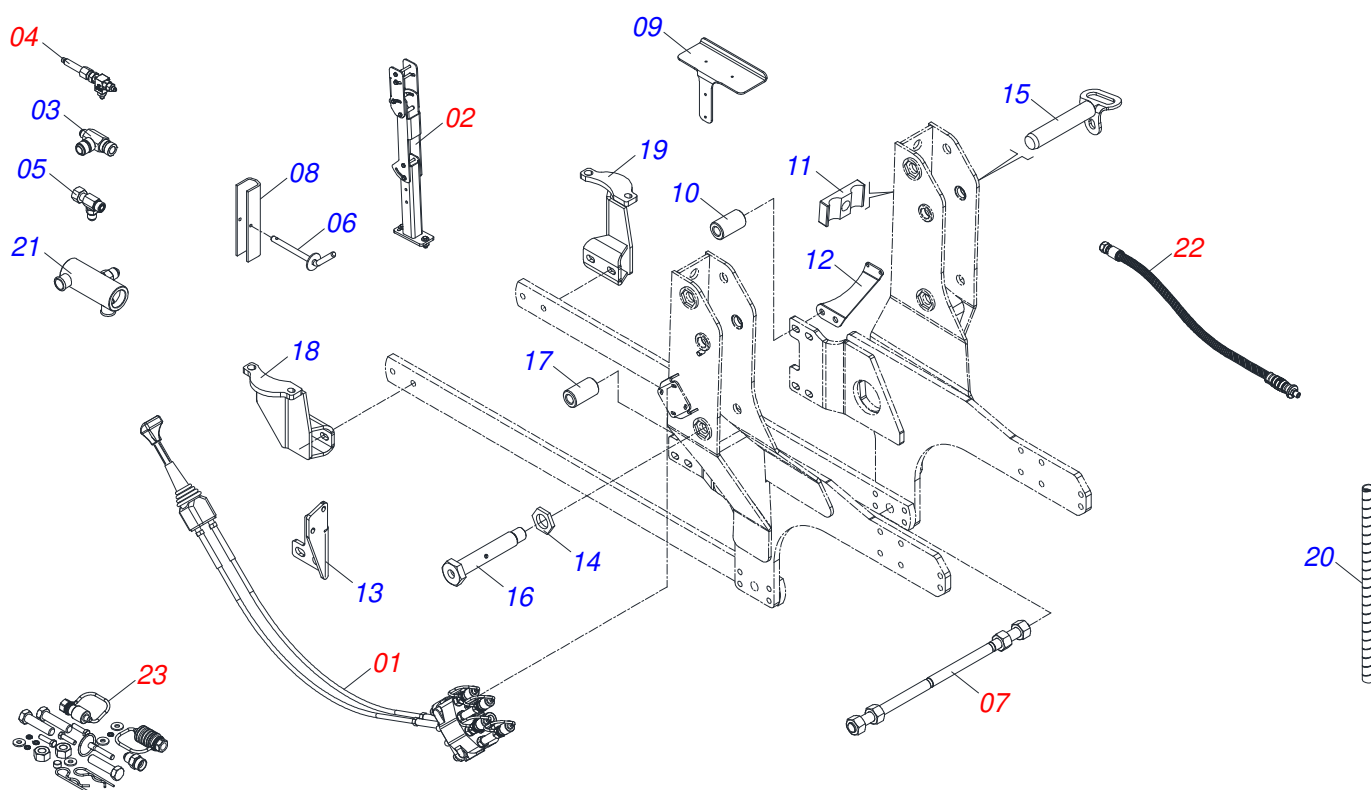
Item	Code	Description	See page	QT
01	0503010014	3/4" ZN G.5 (HEAVY) UNC HEX NUT		08
02	0501010500	3/4" X 3" BOLT		12
03	0503013111	M20 X 2,5 X 65 BOLT		12
04	0503030168	HITCH PIN CLIP		02
05	0503010023	3/4" SPRING WASHER		32
06	0503013527	CLAMP ZIPER		10
07	0503030012	HITCH PIN CLIP		02
08	0503010002	1800 GREASE FITTING		02
09	0503013365	M20 X 2,5 X 140 BOLT		04
10	0501010322	20,50 X 46 X 4,00 ZN FLAT WASHER		12
11	0503034526	NIPPLE UNION		04
12	0503010180	7/16" SPRING WASHER		01
13	0503012555	SCREW 7/16 UNC X 2 CS RT G.7 ZN		01
14	0503010026	3/8" NUT		04
15	0503010025	3/8 SPRING WASHER		04
16	0501012803	FLAT WASHER 12 X 30 X 3,00 ZN		06
17	0503010849	3/8" X 1-1/2" BOLT		04
18	0503013090	M20 X 2,5 X 100 BOLT		04
19	0503010044	SELF LOCKING NUT 1.1/4 UNF G.5 ZN		02
20	0503010014	3/4" ZN G.5 (HEAVY) UNC HEX NUT		04



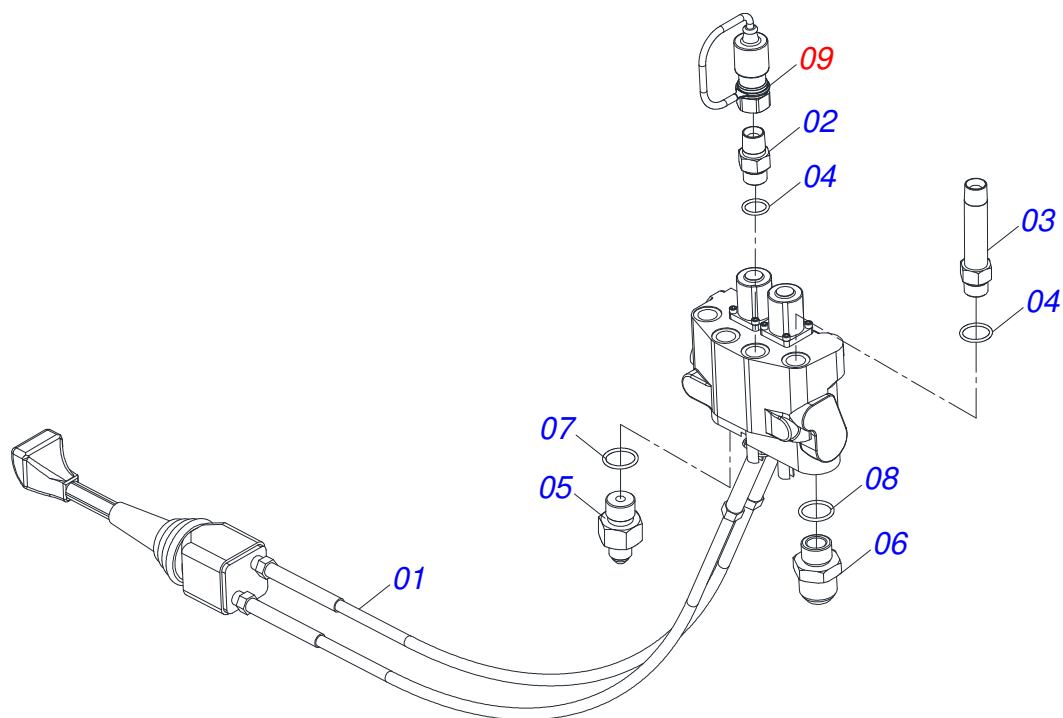
Item	Code	Description	See page	QT
01	0501014916	1.1/4" X 31.88" ROD		01
02	0501010087	1.1/4" NUT		04



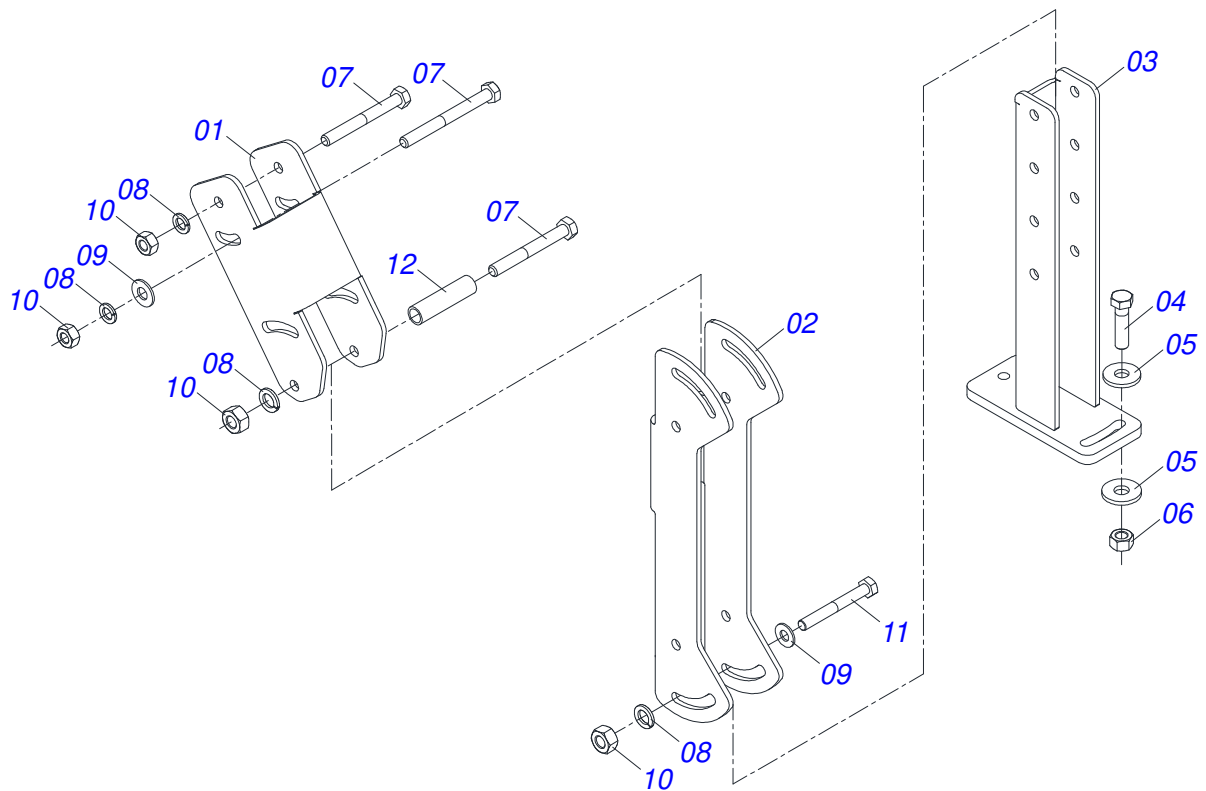
Item	Code	Description	See page	QT
01	0501080167	1/2" X 3000 TR-TM HOSE		04



Item	Code	Description	See page	QT
01	0521047931	COMMAND 1/2	11	01
02	0531044005	JOYSTICK SUPPORT ASSEMBLY	12	01
03	0531066426	1 R7/8UNF X 96,50 HOSE T ADAPTER		01
04	0521048404	CONNECTION	13	01
05	0521068067	ADAPTER WITH ROTATING NUT		01
06	0501068994	8,30 X 78 LOCK PIN		02
07	0501041652	FULL 1.1/4" X 31.88" ROD ASSY	8	01
08	0501217728	LOCK FOR TRANSPORTATION		02
09	0571018366	SUPPORT TOOL CHEST		01
10	0571018372	SLEEVE		04
11	0502010477	HOSE CLAMP		02
12	0501219026	FILTER SUPPORT		01
13	0501219039	EXHAUST SUPPORT		01
14	0501216405	WASHER 37,8 EXTERNAL HEXAGON 58 X 8,00		02
15	0531065321	FIXING AXIS MOBILE SUPPORT		02
16	0581015006	BOLT		02
17	0551019342	SLEEVE		04
18	0531065545	RIGHT REAR SUPPORT		01
19	0531065546	REAR LEFT SUPPORT		01
20	0581010090	SPRING PROTECTION PLASTIC HOSE		08
21	0531065761	RETURN DUCT		01
22	0541052425	HOSE SET	14	01
23	0511034805	PACKAGED PARTS	15	01

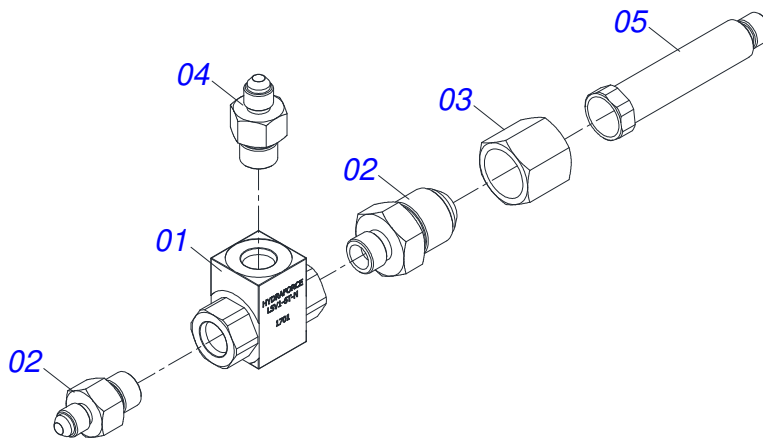


Item	Code	Description	See page	QT
01	0503062661	COMPLETE COMMAND - DLM142		01
02	0581014145	ADAPTER ASSY		02
03	0581014120	STRAIGHT ADAPTER		02
04	0503010045	O-RING		04
05	0571012091	9/16 UNF X 7/16 UNF NIPLE		01
06	0511018014	7/8"NF X 1.1/16 UN NIPPLE		02
07	0503011030	2-014 N 3006-9B O-RING		01
08	0503011109	O-RING 2-119 N 3006 9B		02
09	0501053834	MALE QUICK COUPLER	6	04

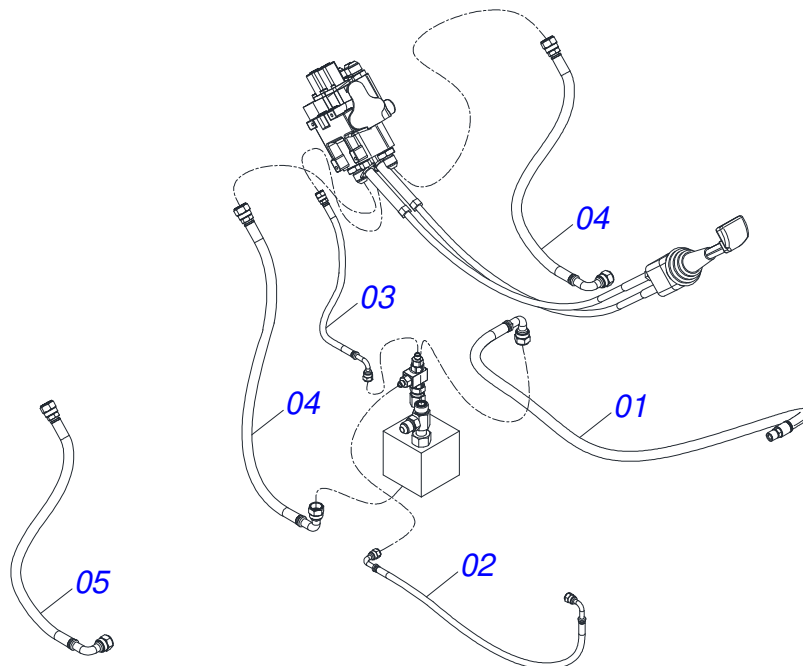


Item	Code	Description	See page	QT
01	0501217764	UPPER BODY JOYSTICK SUPPORT		01
02	0501217765	CENTRAL BODY JOYSTICK SUPPORT		01
03	0531065170	JOYSTICK BOTTOM SUPPORT		01
04	0503010849	3/8" X 1-1/2" BOLT		02
05	0501010984	10,50 X 27 X 3,00 FLAT WASHER		04
06	0503010026	3/8" NUT		02
07	0503010848	5/16" X 3.1/2" BOLT		04
08	0503010179	LOCK WASHER 5/16 ZN 1K01528		06
09	0501010694	FLAT WASHER 32,50 X 75 X 4,75		06
10	0503010337	NUT 5/16 UNC G.5 ZN		06
11	0503011053	5/16" X 3" C S 6.5 ZN BOLT		02
12	0541015551	0.39" X 0.512" X 1.9" SLEEVE		02

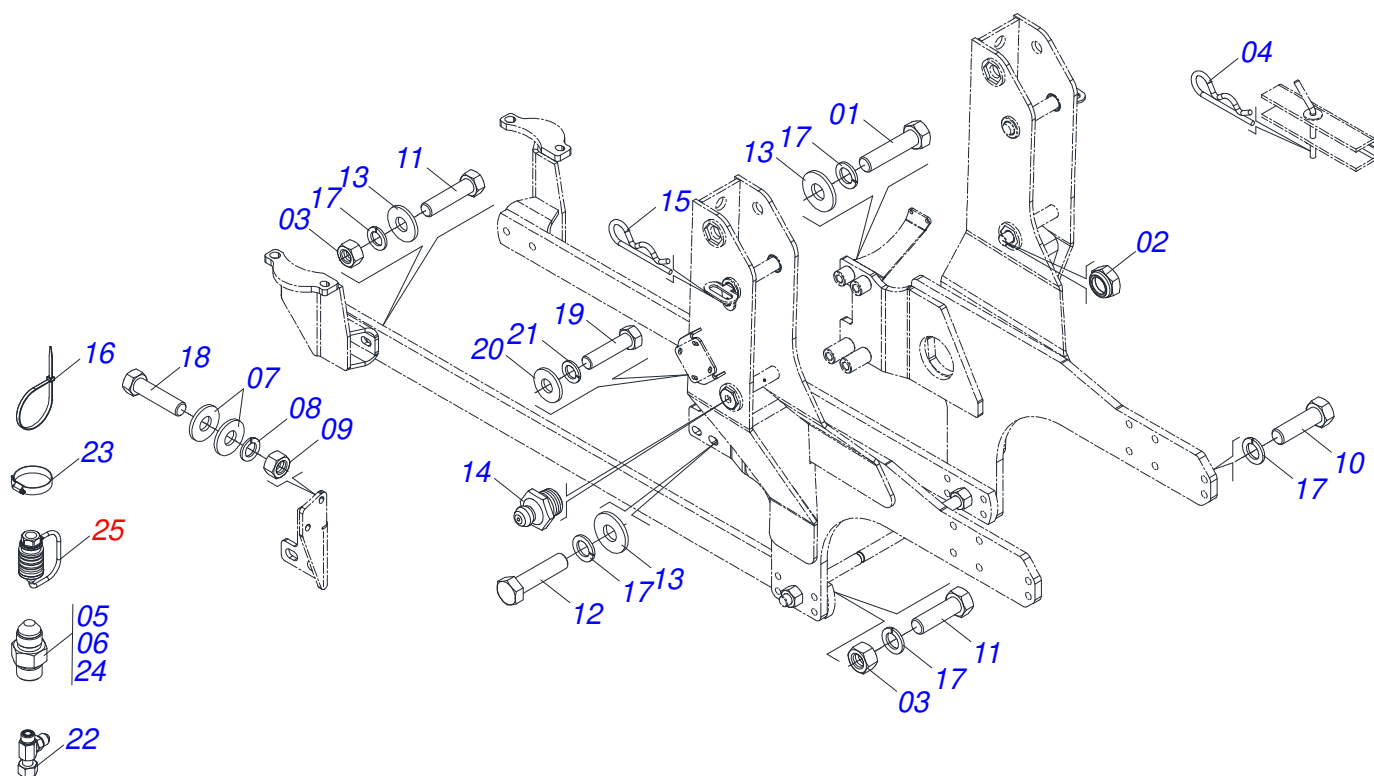




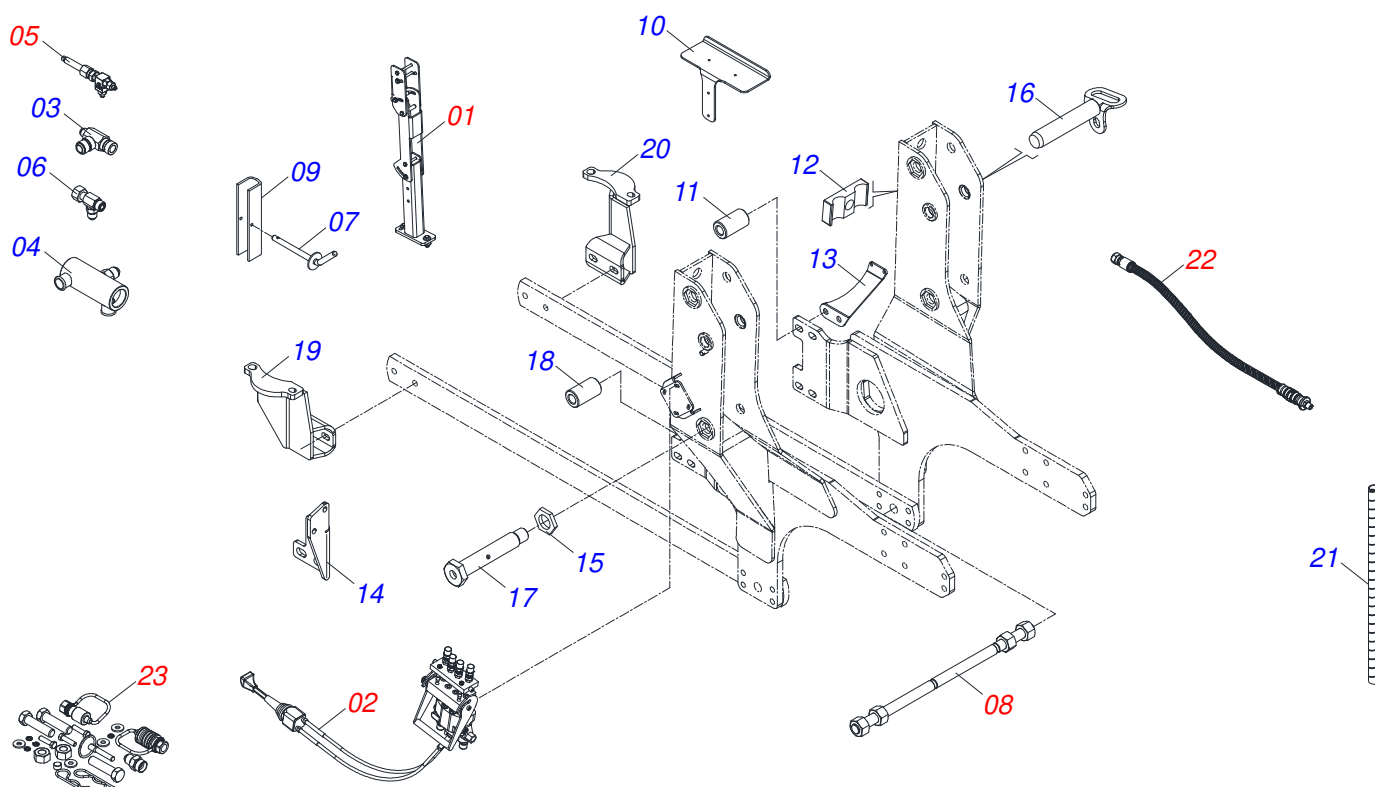
Item	Code	Description	See page	QT
01	0503018955	LSV1 LOAD SHUTTLE VALVE		01
02	0531013708	7/8 UNF X R 9/16 UNF X 45 NIPPLE		01
03	0501011479	7/8" UNF ROTATIVE NUT		01
04	0571012091	9/16 UNF X 7/16 UNF NIPLE		02
05	0581017980	ADAPTER		01



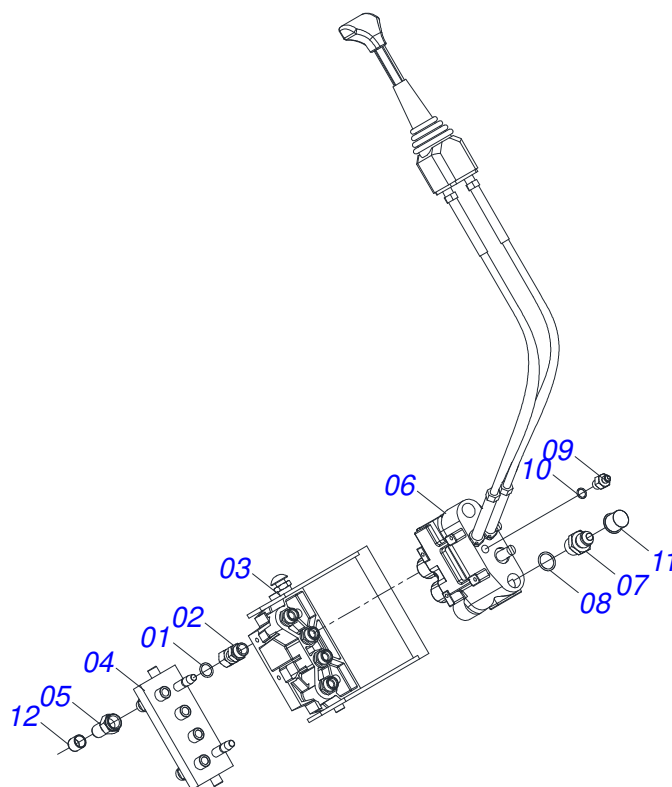
Item	Code	Description	See page	QT
01	0501081043	HOSE 1/4 X 200 TC-TR		01
02	0501082137	1/4 X 900 TC-TC HOSE		01
03	0501081044	1/4 X 1500 TR-TC HOSE		01
04	0501080272	1/2" X 106" TR-TC HOSE		02
05	0501010610	1 X 800 AB-AB HOSE		01



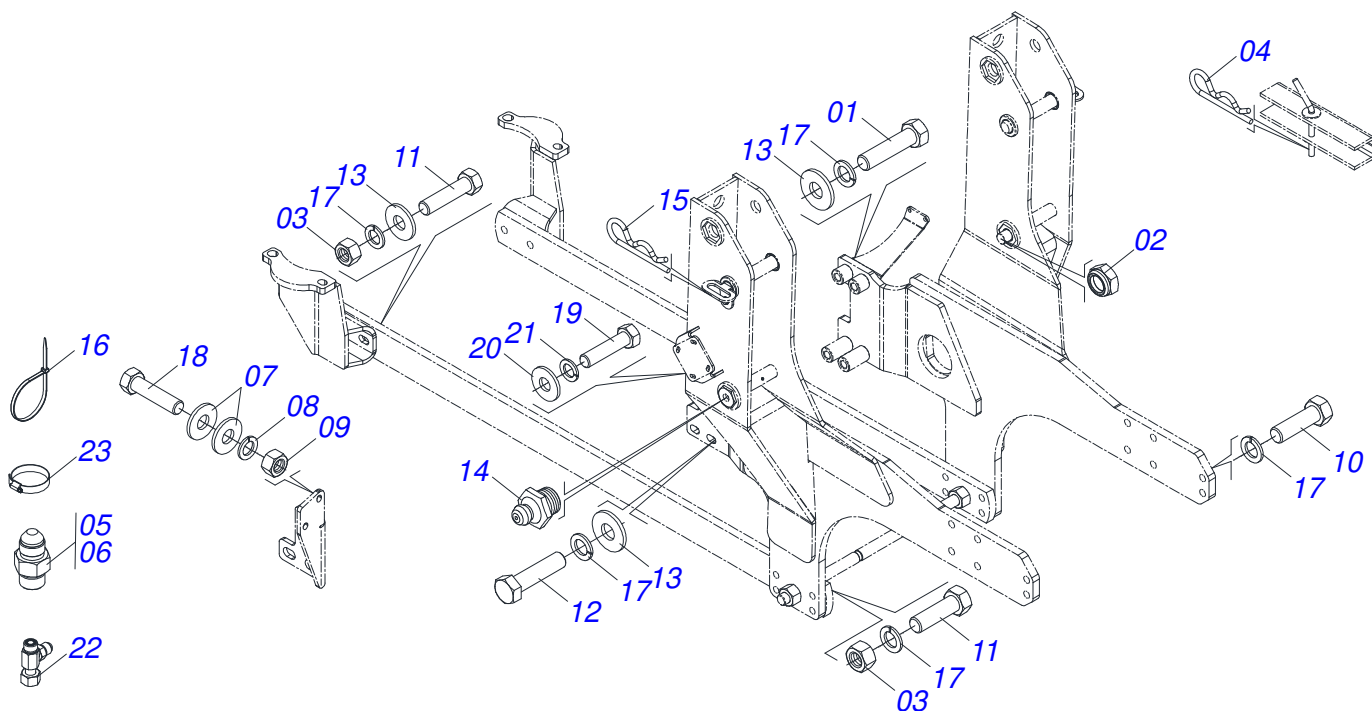
Item	Code	Description	See page	QT
01	0503013090	M20 X 2,5 X 100 BOLT		04
02	0503010044	SELF LOCKING NUT 1.1/4 UNF G.5 ZN		02
03	0503010014	3/4" ZN G.5 (HEAVY) UNC HEX NUT		12
04	0503030168	HITCH PIN CLIP		02
05	0571012091	9/16 UNF X 7/16 UNF NIPLE		02
06	0581015014	NIPLE 7/16 UNF JIC X 7/16 UNF X 37		01
07	0501012803	FLAT WASHER 12 X 30 X 3,00 ZN		06
08	0503010025	3/8 SPRING WASHER		04
09	0503010026	3/8" NUT		04
10	0503013111	M20 X 2,5 X 65 BOLT		12
11	0501010500	3/4" X 3" BOLT		12
12	0503013365	M20 X 2,5 X 140 BOLT		04
13	0501010322	20,50 X 46 X 4,00 ZN FLAT WASHER		12
14	0503010002	1800 GREASE FITTING		02
15	0503030012	HITCH PIN CLIP		02
16	0503013527	CLAMP ZIPER		10
17	0503010023	3/4" SPRING WASHER		32
18	0503010849	3/8" X 1-1/2" BOLT		04
19	0503016506	5/16 UNC X 3/4 C S G.5 ZN BOLT		04
20	0501010694	FLAT WASHER 32,50 X 75 X 4,75		04
21	0503010179	LOCK WASHER 5/16 ZN 1K01528		04
22	0521068067	ADAPTER WITH ROTATING NUT		01
23	0503010243	CLAMP		06
24	0511014065	7/8" NF X R1/2NPT X 52 NIPPLE		04
25	0501053835	FEMALE QUICK COUPLER		04



Item	Code	Description	See page	QT
01	0531044005	JOYSTICK SUPPORT ASSEMBLY	12	01
02	0521047932	COMMAND	17	01
03	0531066426	1 R7/8UNF X 96,50 HOSE T ADAPTER		01
04	0531065761	RETURN DUCT		01
05	0521048404	CONNECTION	13	01
06	0521068067	ADAPTER WITH ROTATING NUT		01
07	0501068994	8,30 X 78 LOCK PIN		02
08	0501041652	FULL 1.1/4" X 31.88" ROD ASSY	8	01
09	0501217728	LOCK FOR TRANSPORTATION		02
10	0571018366	SUPPORT TOOL CHEST		01
11	0571018372	SLEEVE		04
12	0502010477	HOSE CLAMP		02
13	0501219026	FILTER SUPPORT		01
14	0501219039	EXHAUST SUPPORT		01
15	0501216405	WASHER 37,8 EXTERNAL HEXAGON 58 X 8,00		02
16	0531065321	FIXING AXIS MOBILE SUPPORT		02
17	0581015006	BOLT		02
18	0551019342	SLEEVE		04
19	0531065545	RIGHT REAR SUPPORT		01
20	0531065546	REAR LEFT SUPPORT		01
21	0581010090	SPRING PROTECTION PLASTIC HOSE		08
22	0541052425	HOSE SET	14	01
23	0511034806	PACKAGED PARTS	18	01



Item	Code	Description	See page	QT
01	0503010045	O'RING		08
02	0521067687	MULTI CONNECTOR ADAPTER		04
03	0503062625	MANIFOLD		01
04	0503062626	MANIFOLD		01
05	0581014419	ADAPTER		04
06	0503062661	COMPLETE COMMAND - DLM142		01
07	0511018014	7/8"NF X 1.1/16 UN NIPPLE		02
08	0503011109	O'RING 2-119 N 3006 9B		02
09	0571012091	9/16 UNF X 7/16 UNF NIPLE		01
10	0503011030	2-014 N 3006-9B O'RING		01
11	0503030385	CYLINDER PLUG N-002		04
12	0503030387	PLUG		02



Item	Code	Description	See page	QT
01	0503013090	M20 X 2,5 X 100 BOLT		04
02	0503010044	SELF LOCKING NUT 1.1/4 UNF G.5 ZN		02
03	0503010014	3/4" ZN G.5 (HEAVY) UNC HEX NUT		12
04	0503030168	HITCH PIN CLIP		02
05	0571012091	9/16 UNF X 7/16 UNF NIPLE		02
06	0581015014	NIPLE 7/16 UNF JIC X 7/16 UNF X 37		01
07	0501012803	FLAT WASHER 12 X 30 X 3,00 ZN		06
08	0503010025	3/8 SPRING WASHER		04
09	0503010026	3/8" NUT		04
10	0503013111	M20 X 2,5 X 65 BOLT		12
11	0501010500	3/4" X 3" BOLT		12
12	0503013365	M20 X 2,5 X 140 BOLT		04
13	0501010322	20,50 X 46 X 4,00 ZN FLAT WASHER		12
14	0503010002	1800 GREASE FITTING		02
15	0503030012	HITCH PIN CLIP		02
16	0503013527	CLAMP ZIPER		10
17	0503010023	3/4" SPRING WASHER		32
18	0503010849	3/8" X 1-1/2" BOLT		04
19	0503016506	5/16 UNC X 3/4 C S G.5 ZN BOLT		04
20	0501010694	FLAT WASHER 32,50 X 75 X 4,75		04
21	0503010179	LOCK WASHER 5/16 ZN 1K01528		04
22	0521068067	ADAPTER WITH ROTATING NUT		01
23	0503010243	CLAMP		06





**MARCHESAN**

**Technical Publications | Elaboration and Revision**

LORENA ROCHA ALVES

[www.marchesan.com.br](http://www.marchesan.com.br)

