

**PD - FRONT LOADER**

**PD 800**

**Code:** 0501093696  
**Series:** S-0723  
**Revision:** 00  
**Revision Date:** OUTUBRO/2023

# PARTS CATALOGUE



**MARCHESAN**



# PRODUCTS

Code	Description
0106040364	PD 800 S-0723
0106040366	PD 800 S-0723

## ATTENTION: IMPORTANT

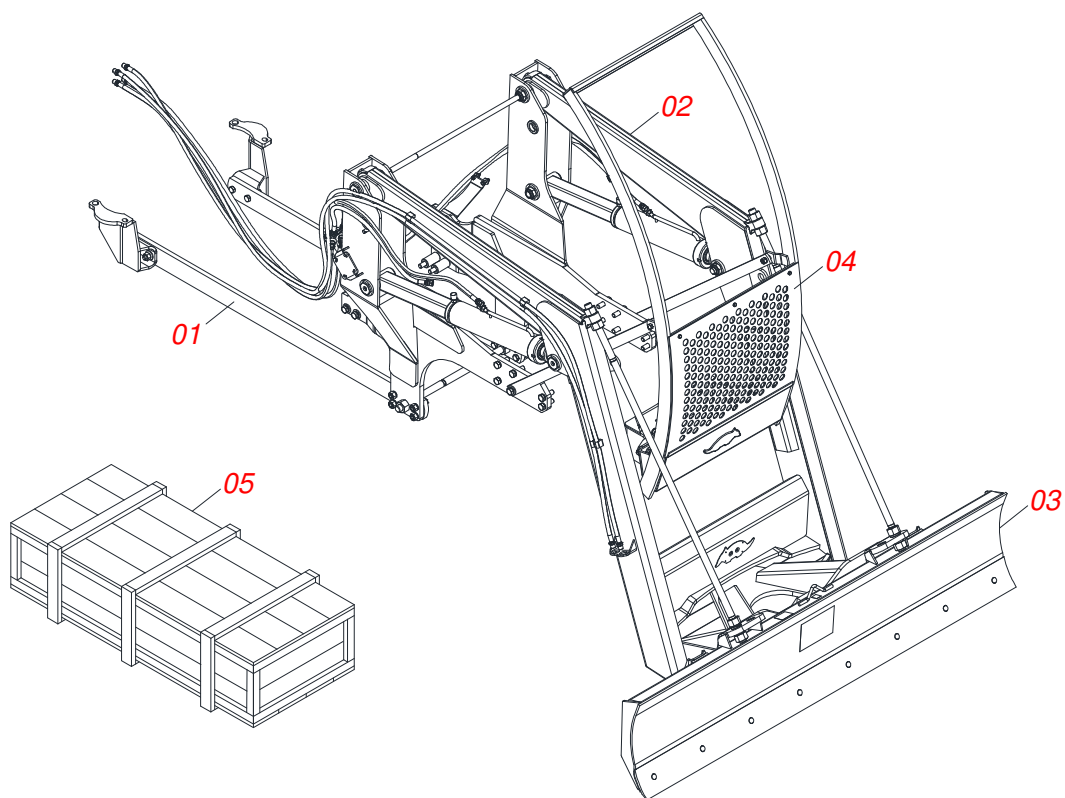
Marchesan S.A. reserves the right to improve and/or modify the technical features of its products, without obligation to do the same with those products already sold and without prior knowledge of the dealer or the customer. The photos are only illustrative.



**MARCHESAN**

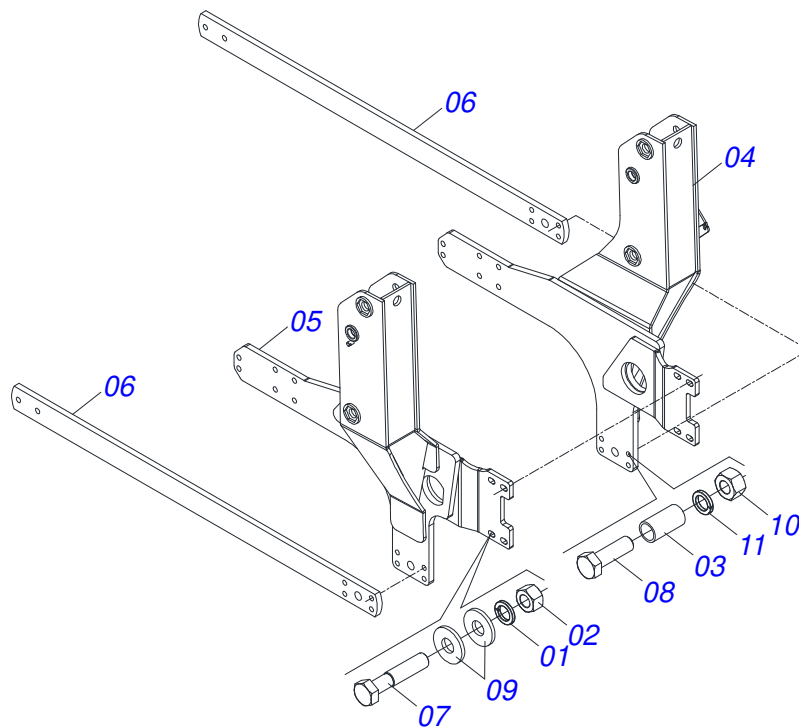
# INDEX

0909096919	PD 800	.....	1
0531042231	FRAME ASSEMBLY WITH REAR BAR	.....	2
0521047902	MOBILE SUPPORT ASSY	.....	3
0909096836	DECAL SET	.....	4
0511047750	2400 SCRAPER ASSY WITH STABILIZER BRACKET	.....	5
0501047708	2400 BLADE SUPPORT	.....	6
0909091585	DECAL SET	.....	7
0501048330	MOBILE SUPPORT GUIDE ASSY	.....	8
0521029292	BOX WITH COMPONENTS	.....	9
0909096920	HYDRAULIC CIRCUIT	.....	10
0521051546	HYDRAULIC CYLINDER	.....	11
0511057771	R.7/8UNF - SAFETY VALVE	.....	12
0511034489	PACKAGED PARTS	.....	13
0501053835	FEMALE QUICK COUPLER	.....	14
0501053834	MALE QUICK COUPLER	.....	15
0501041652	FULL 1.1/4" X 31.88" ROD ASSY	.....	16
0521047923	ROD	.....	17
0531020384	BOX WITH COMPONENTS	.....	18
0909096921	HYDRAULIC CIRCUIT	.....	19
0521048404	CONNECTION	.....	20
0531044005	JOYSTICK SUPPORT ASSEMBLY	.....	21
0521047929	HYDRAULIC COMMAND 1/2 1,5 M	.....	22
0511034812	PACKAGED PARTS	.....	23

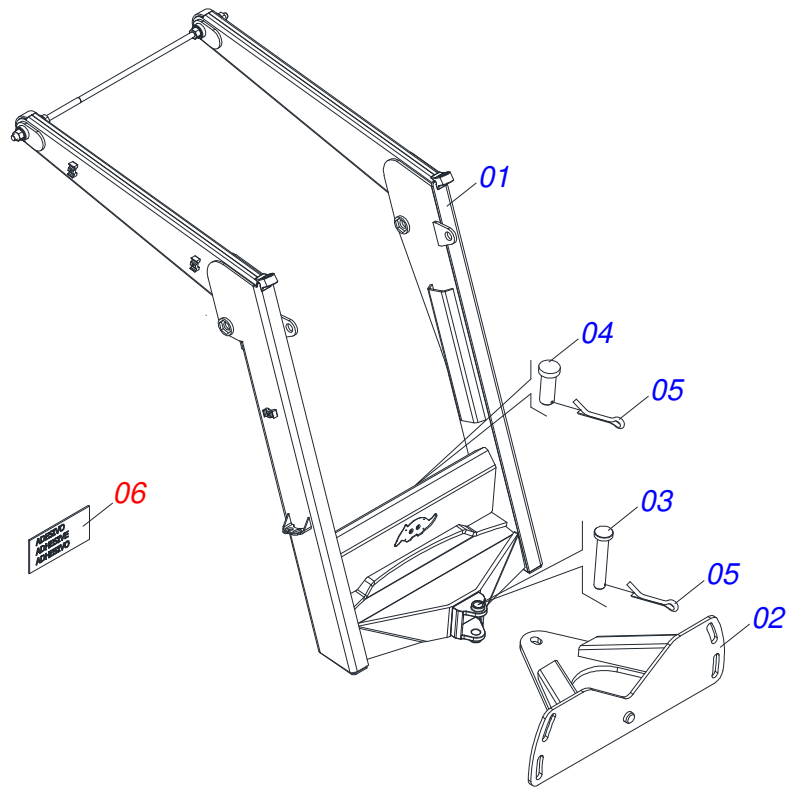


Item	Code	Description	See page	QT
01	0531042231	FRAME ASSEMBLY WITH REAR BAR	2	01
02	0521047902	MOBILE SUPPORT ASSY	3	01
03	0511047750	2400 SCRAPER ASSY WITH STABILIZER BRACKET	5	01
04	0501048330	MOBILE SUPPORT GUIDE ASSY	8	01
05	0521029292	BOX WITH COMPONENTS	9	01
05.	0531020384	BOX WITH COMPONENTS	18	01

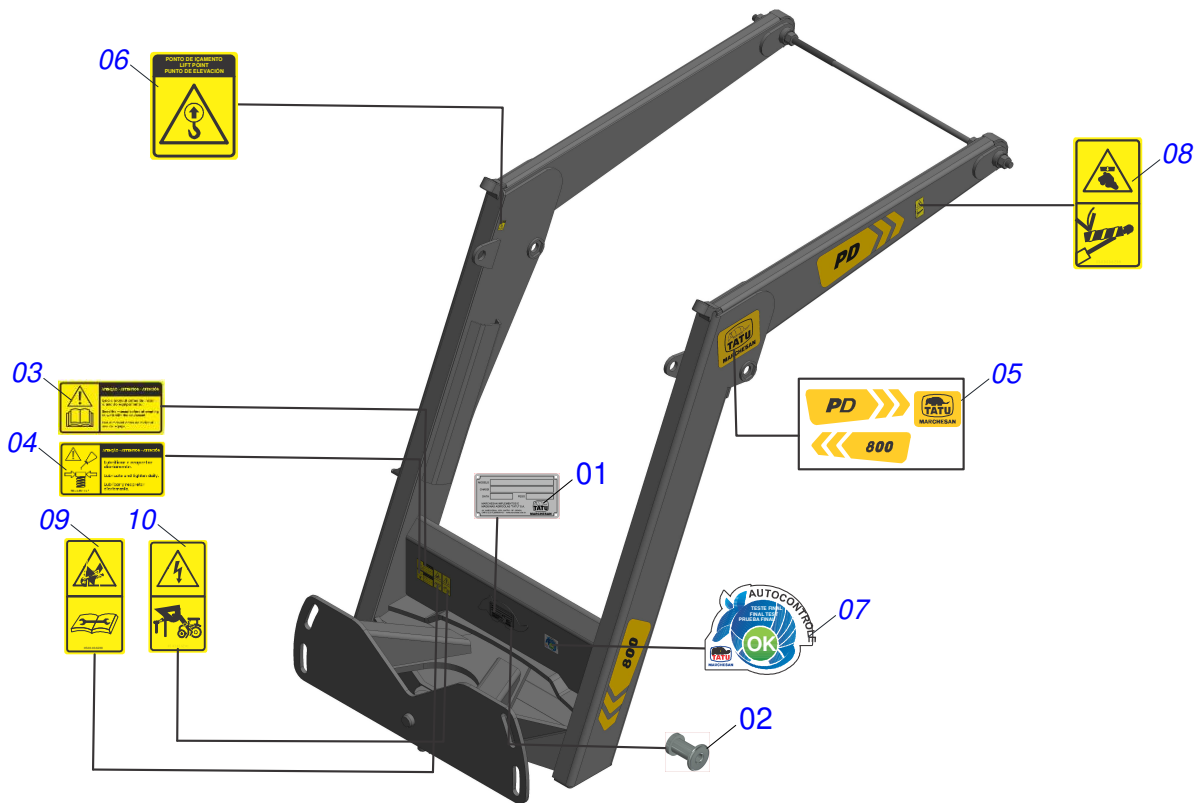
FRAME ASSEMBLY WITH REAR BAR



Item	Code	Description	See page	QT
01	0503010027	5/8 SPRING WASHER		02
02	0503010013	NUT 5/8" UNC G.5 ZN		02
03	0581015170	SLEEVE		04
04	0531065543	RIGHT FRAME		01
05	0531065544	LEFT FRAME		01
06	0581010145	REAR BAR RIGHT FRAME		02
07	0501011541	BOLT 5/8" UNC X 3 CS G.5 ZN1K28066		02
08	0513010547	3/4 UNC X 5.1/2 CS G.5 ZN SCREW		04
09	0501012140	FLAT WASHER 16,50 X 40 X 4,00 ZN		04
10	0503010014	3/4" HEX NUT		04
11	0503011442	3/4" SPRING WASHER		04

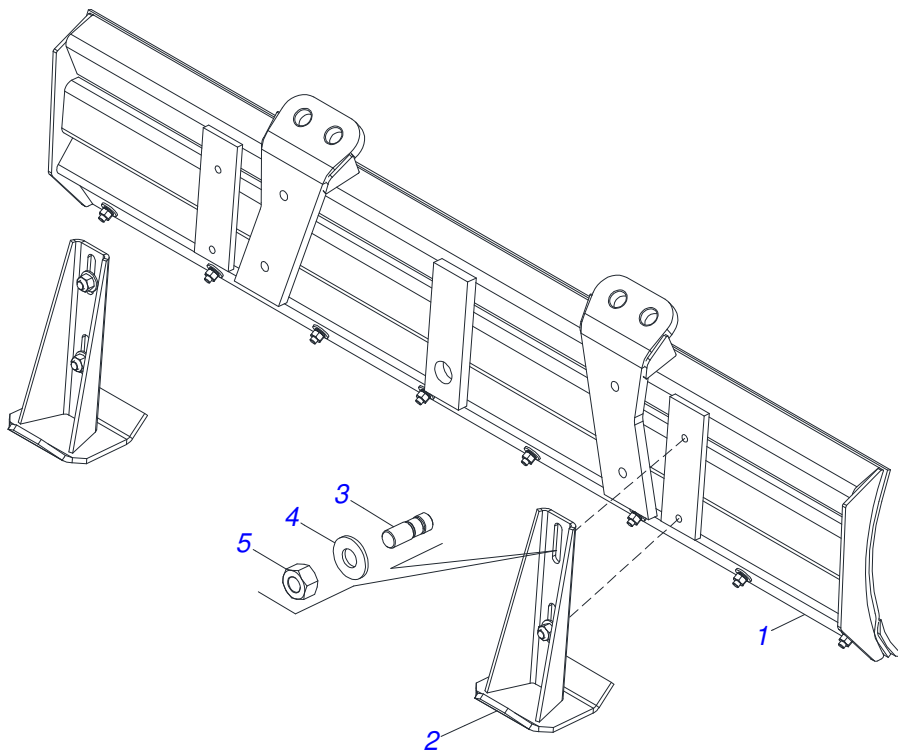


Item	Code	Description	See page	QT
01	0521068513	MOBILE SUPPORT		01
02	0501062637	5/8" REGULATOR SUPPORT		01
03	0521010618	1.4" X 8.6" COUPLING SHAFT		01
04	0521010612	1.4" X 3.5" COUPLING SHAFT		01
05	0503010010	SPLIT PIN 1/4" X 2.1/2"		02
06	0909096836	DECAL SET	4	01



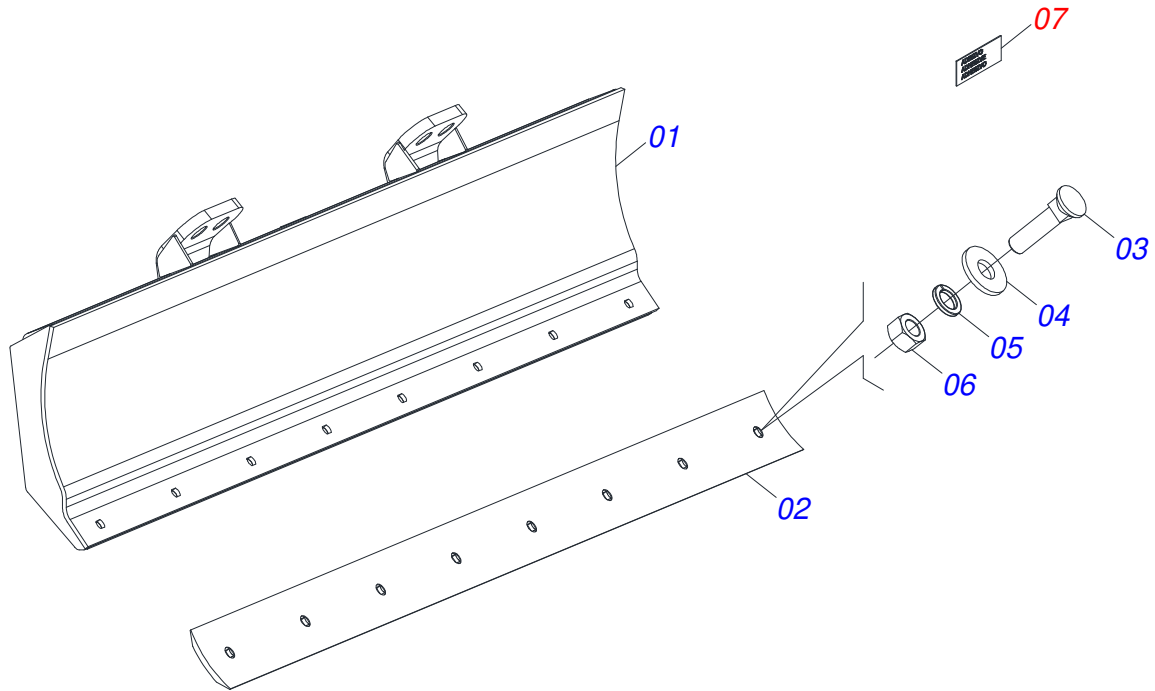
Item	Code	Description	See page	QT
01	0503034003	61 X 118 SERIAL NUMBER TAG		01
02	0503010001	RIVET 3,2 X 5,5		04
03	0503031428	READ MANUAL DECAL		01
04	0503031827	LUBRICATE AND RETIGHTEN DAILY DECAL		01
05	0503064056	ADHESIVE LABEL SET		01
06	0503034078	LIFTING POINTS DECAL		01
07	0503031087	AUTO CONTROL APPROVED DECAL		01
08	0503036238	SAFETY LOCKING HYDRAULIC CYLINDERS DECAL		01
09	0503036239	ATTENTION FLUIDS WITH PRESSURE DECAL		01
10	0503036241	SAFETY CAUTION SHOCK HAZARD DECAL		01

2400 SCRAPER ASSY WITH STABILIZER BRACKET

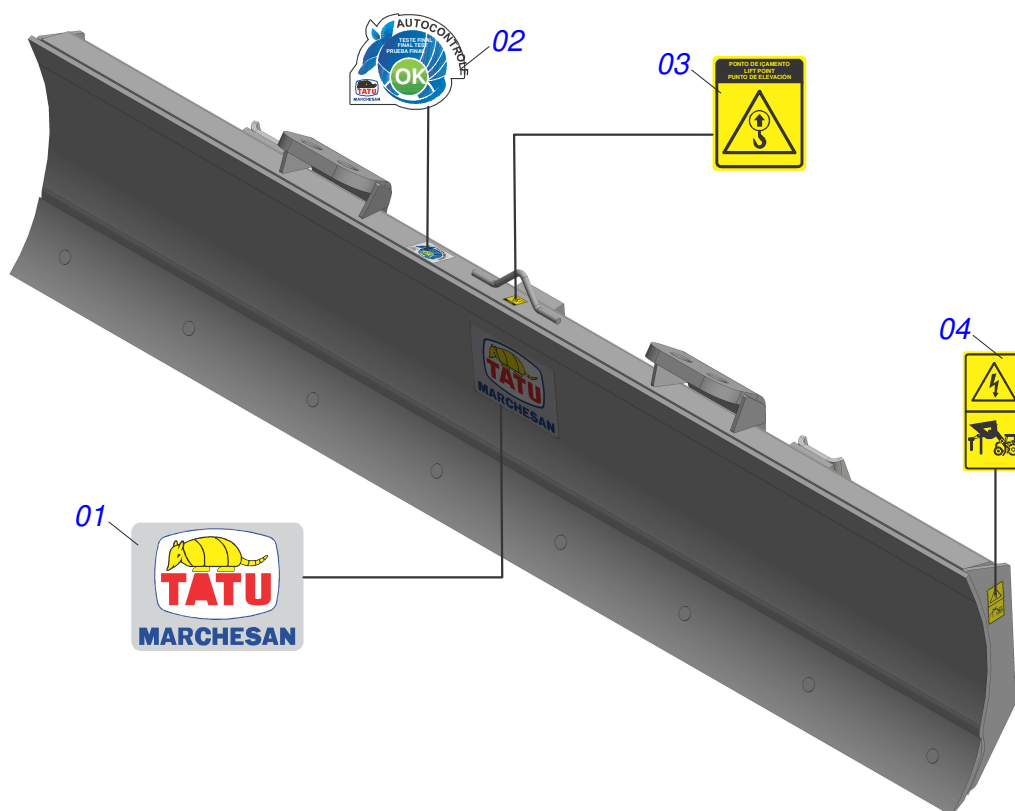


Item	Code	Description	See page	QT
01	0501047708	2400 BLADE SUPPORT	6	01
02	0501063411	STABILIZER SUPPORT		02
03	0561016756	3/4 UNC X 3/4 UNC X 56 PRISONER		04
04	0501010322	FLAT WASHER		04
05	0503010014	3/4" HEX NUT		04

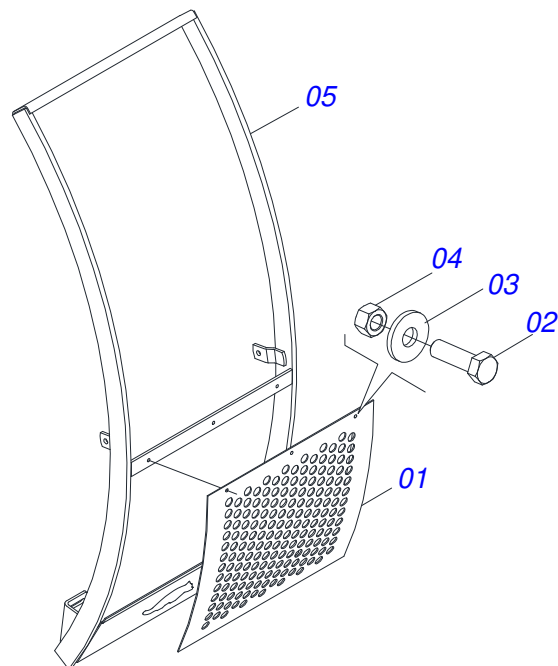




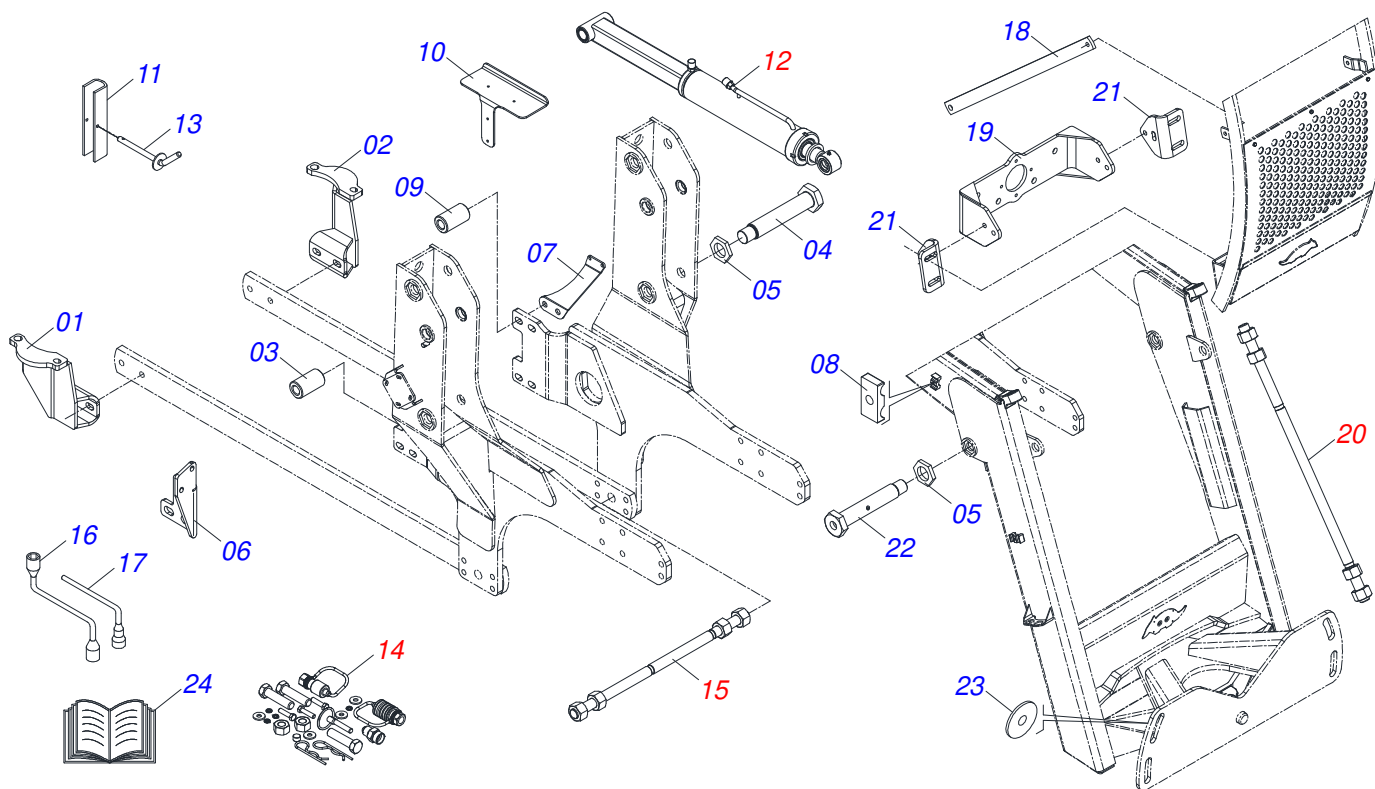
Item	Code	Description	See page	QT
01	0501067999	2390 BLADE SUPPORT		01
02	0622360016	94.5" SCRAPER REVERSIBLE		01
03	0501012240	BOLT		08
04	0501012140	FLAT WASHER 16,50 X 40 X 4,00 ZN		08
05	0503011445	SPRING WASHER		08
06	0503010013	NUT 5/8" UNC G.5 ZN		08
07	0909091585	DECAL SET	7	01



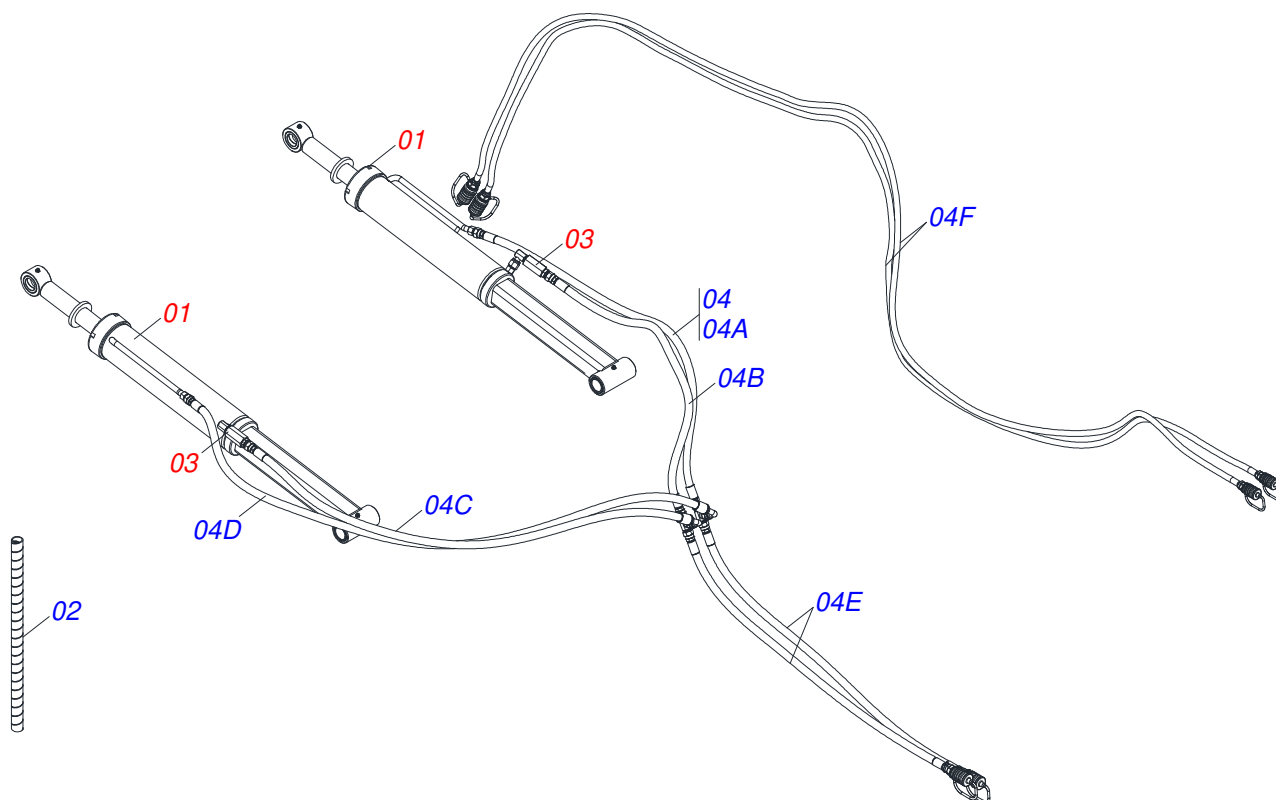
Item	Code	Description	See page	QT
01	0503033429	ADHESIVE LABEL		01
02	0503031087	AUTO CONTROL APPROVED DECAL		01
03	0503034078	LIFTING POINTS DECAL		02
04	0503036241	SAFETY CAUTION SHOCK HAZARD DECAL		01



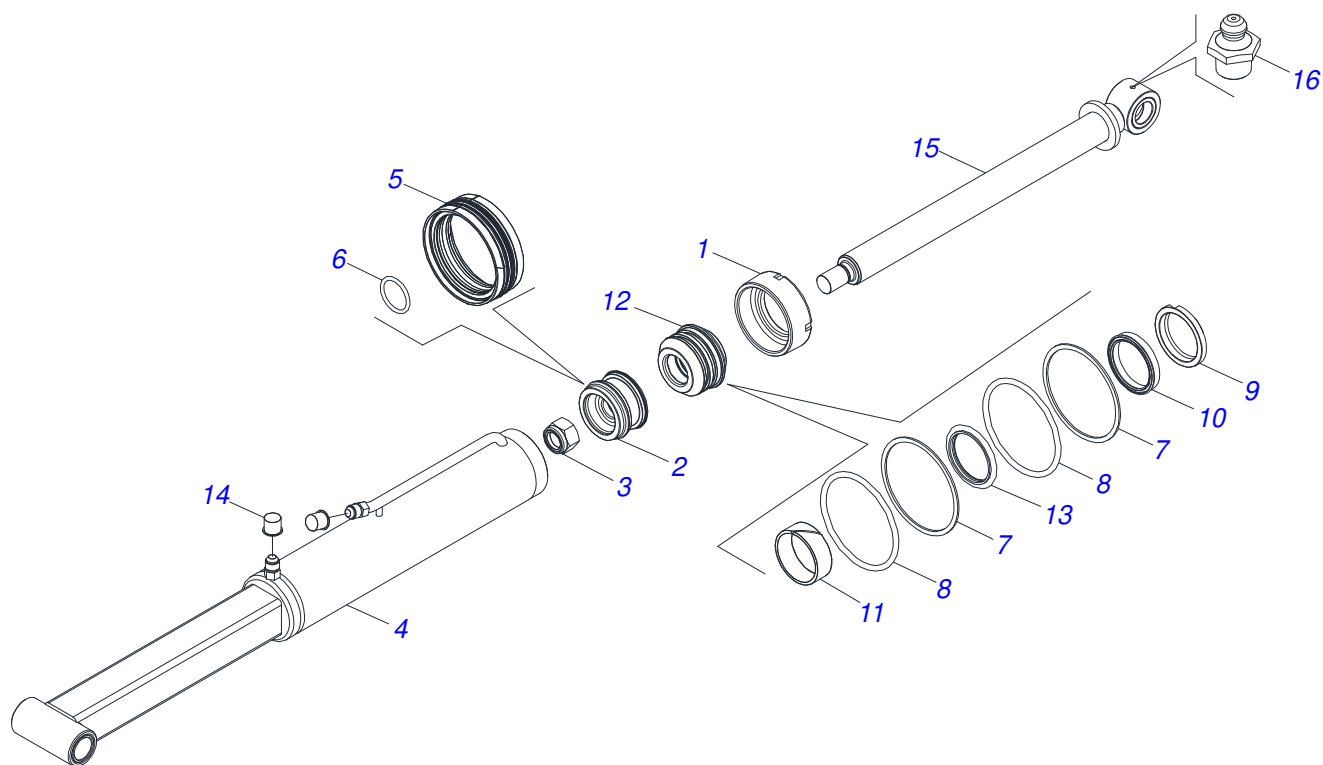
Item	Code	Description	See page	QT
01	0501014686	FRONT PROTECTION		01
02	0503010751	C3/8" X 1.1/4" HEX BOLT G.5		03
03	0501010984	10,50 X 27 X 3,00 FLAT WASHER		03
04	0503010026	3/8" NUT		03
05	0521064583	MOBILE SUPPORT GUIDE		01



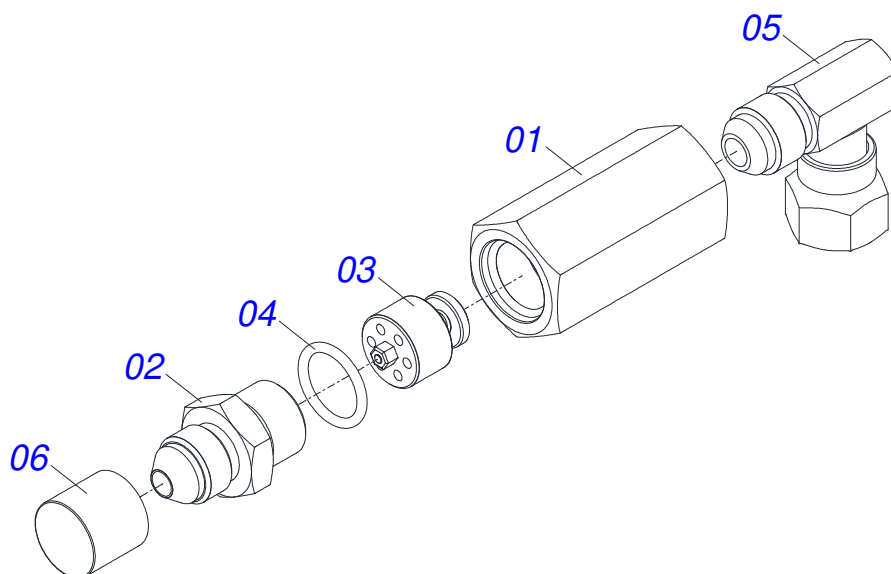
Item	Code	Description	See page	QT
01	0531065545	RIGHT REAR SUPPORT		01
02	0531065546	REAR LEFT SUPPORT		01
03	0551019342	SLEEVE		04
04	0581015006	BOLT		04
05	0501216405	WASHER 37,8 EXTERNAL HEXAGON 58 X 8,00		06
06	0501219039	EXHAUST SUPPORT		01
07	0501219026	FILTER SUPPORT		01
08	0502010477	HOSE CLAMP		03
09	0571018372	SLEEVE		04
10	0571018366	SUPPORT TOOL CHEST		01
11	0501217728	LOCK FOR TRANSPORTATION		02
12	0909096920	HYDRAULIC CIRCUIT	10	04
13	0501068994	8,30 X 78 LOCK PIN		02
14	0511034489	PACKAGED PARTS	13	01
15	0501041652	FULL 1.1/4" X 31.88" ROD ASSY	16	01
16	0501068213	5/8" WRENCH DOUBLE		01
17	0501061617	1" GANG BOLT WRENCH		01
18	0501010626	FRENCH HAND		02
19	0531065547	PUMP SUPPORT		01
20	0521047923	ROD	17	02
21	0501219041	MOVABLE GUIDE FIXING SUPPORT		02
22	0581016852	BOLT		02
23	0501010574	FLAT WASHER		04
24	0511033668	BAG WITH INSTRUCTION MANUAL		01



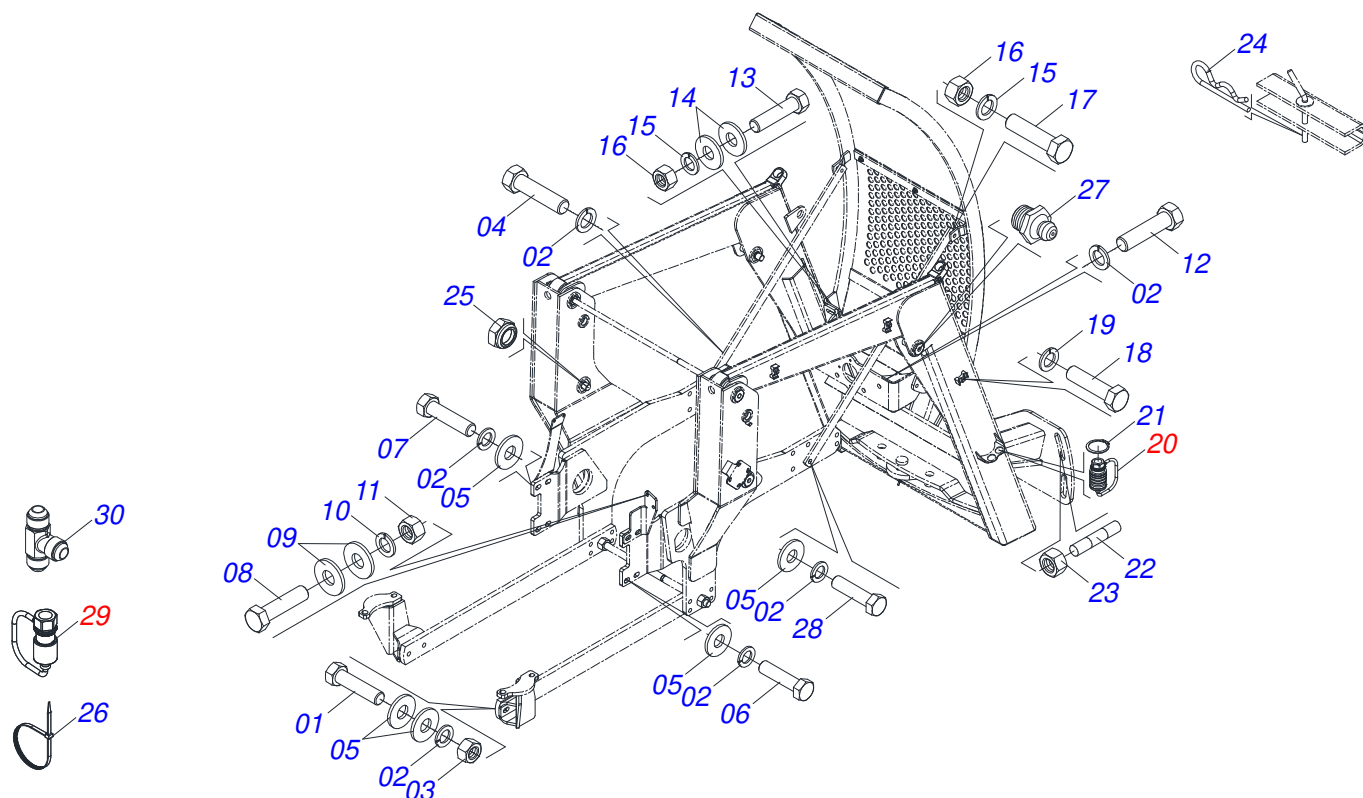
Item	Code	Description	See page	QT
01	0521051546	HYDRAULIC CYLINDER	11	02
02	0581010090	SPRING PROTECTION PLASTIC HOSE		04
03	0511057771	R.7/8UNF - SAFETY VALVE	12	02
04	0531051311	HOSE SET		01
04A	0501080195	1/2 X 950 TR - TR HOSE		01
04B	0501080022	1/2" X 43" TR-TR HOSE ASSY		01
04C	0501081750	HOSE 1/2 X 3300 TC-TR		01
04D	0501080633	1/2 X 3500 TR-TC HOSE		01
04E	0501080238	HOSE 1/2 X 4300 TR-TM		02
04F	0501082139	HOSE 1/2 X 6500 TM-TM		02



Item	Code	Description	See page	QT
01	0502012822	END CAP 4"		01
02	0502012842	50,80 X 101,60 PISTON		01
03	0503010817	SELF LOCKING NUT 1.1/4 UNF ALTA G.5 ZN		01
04	0511071242	CYLINDER CASE		01
05	0503015633	SELEMASTER SEALING		01
06	0503018029	O'RING 2-217 N 3006 90B		01
07	0503011061	8-342 BACK-UP RING		02
08	0503010338	2-342 N 3006-9B O'RING		02
09	0503010039	D-2000 SCRAPER RING		01
10	0503018026	GASKET 1870-2000-375 B POLYMAX		01
11	0503018025	RING GUIDE W2-2250-750		01
12	0502012821	2" X 4" RING SUPPORT		01
13	0503018024	RING BS OD050805200171D-BR		01
14	0503030387	PLUG		02
15	0521068050	TURNBUCKLE		01
16	0503010002	1800 GREASE FITTING		01
17	0511032211	CYLINDER REPAIR KIT 2" X 4"		

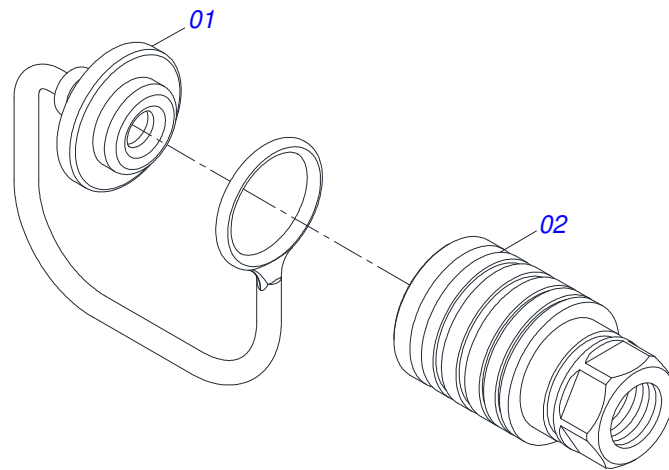


Item	Code	Description	See page	QT
01	0503018033	37 X R.7/8 UNF 90° JIC MALE CONNECTOR WITH ROTATING NUT		01
02	0581014053	1/2 BSP X 7/8 UNF JIC X 64 ADAPTER		01
03	0503016854	SAFETY VALVE		01
04	0503010045	O'RING		01
05	0581014052	1/2 BSP X 7/8 UNF JIC X 43 NIPLE		01
06	0503030387	PLUG		01

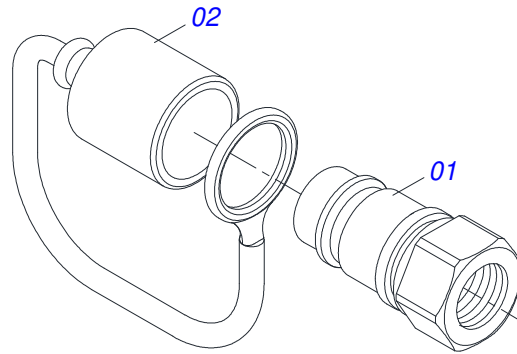


Item	Code	Description	See page	QT
01	0501010500	3/4" X 3" BOLT		12
02	0503010023	3/4" SPRING WASHER		36
03	0503010014	3/4" HEX NUT		12
04	0503013111	M20 X 2,5 X 65 BOLT		10
05	0501010322	FLAT WASHER		14
06	0503013365	M20 X 2,5 X 140 BOLT		04
07	0503013090	M20 X 2,5 X 100 BOLT		04
08	0503010849	3/8" X 1-1/2" BOLT		04
09	0501012803	FLAT WASHER 12 X 30 X 3,00 ZN		06
10	0503010025	3/8 SPRING WASHER		04
11	0503010026	3/8" NUT		04
12	0503013110	M20 X 2,5 X 50 BOLT		04
13	0503010899	5/8 UNC X 2.1/4 BOLT		08
14	0501012140	FLAT WASHER 16,50 X 40 X 4,00 ZN		16
15	0503010027	5/8 SPRING WASHER		10
16	0503010013	NUT 5/8" UNC G.5 ZN		10
17	0501010100	BOLT 5/8" UNC X 2 CS G.5 ZN		02
18	0503011135	BOLT 7/16" UNC X 1.1/2" C S G.5 ZN		03
19	0503010180	7/16" SPRING WASHER		03
20	0501053835	FEMALE QUICK COUPLER	14	02
21	0503010217	501040 CLAMPING RING (FOR AXLE)		04
22	0561016755	PRISONER 1 UNC X 1 UNC X 76 ZN		04
23	0501010059	1.5/8 NUT		04
24	0503030168	HITCH PIN CLIP		02
25	0503010044	SELF LOCKING NUT 1.1/4 UNF G.5 ZN		06
26	0503013527	CLAMP ZIPER		10
27	0503010002	1800 GREASE FITTING		06
28	0503013104	M20 X 2,5 X 80 BOLT		02
29	0501053834	MALE QUICK COUPLER	15	04
30	0503013493	T CONNECTION MALE		02

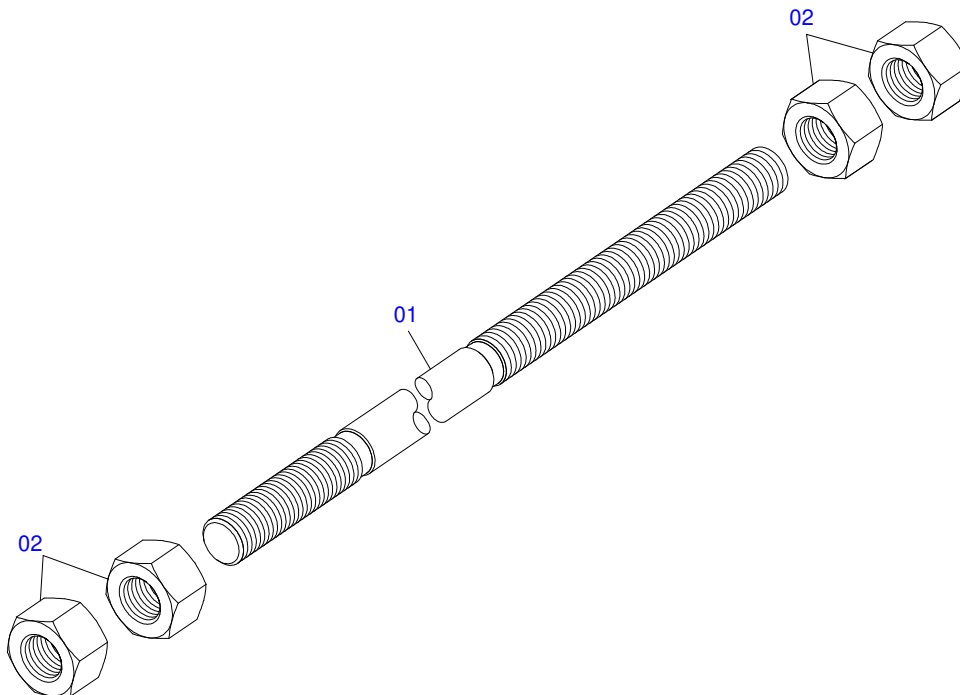




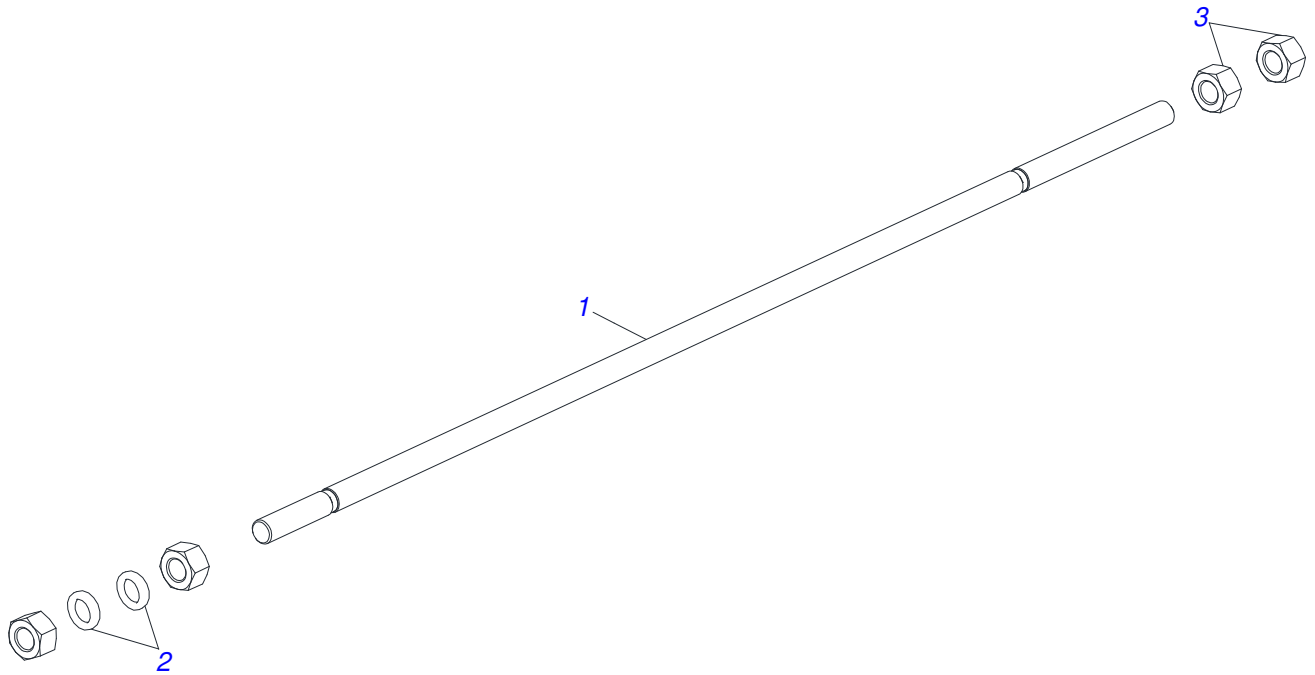
Item	Code	Description	See page	QT
01	0503011883	QUICK CONNECTION COVER		01
02	0503011628	FEMALE QUICK COUPLER		01



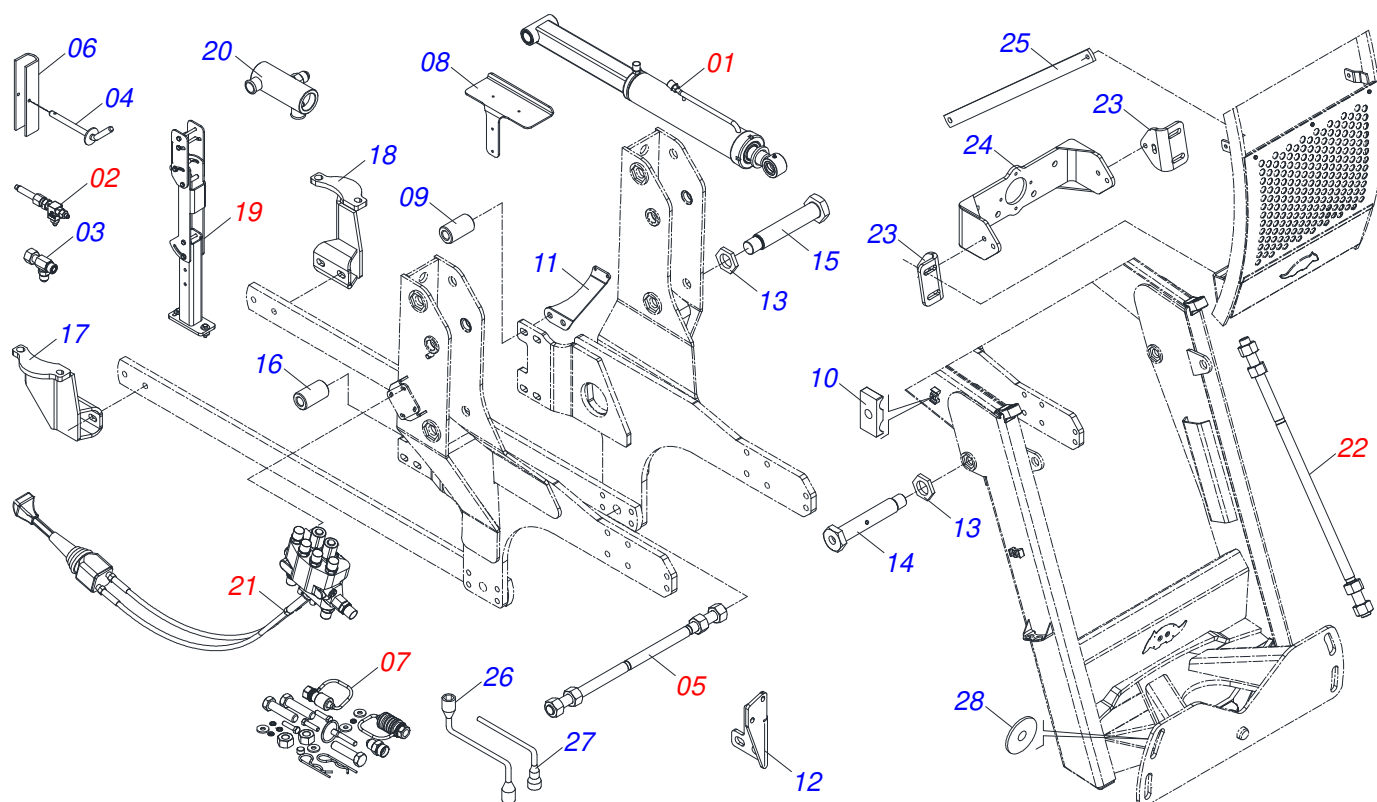
Item	Code	Description	See page	QT
01	0503011627	MALE QUICK COUPLER AGR 1/2 NPT		01
02	0503011882	MALE QUICK COUPLER CAP		01



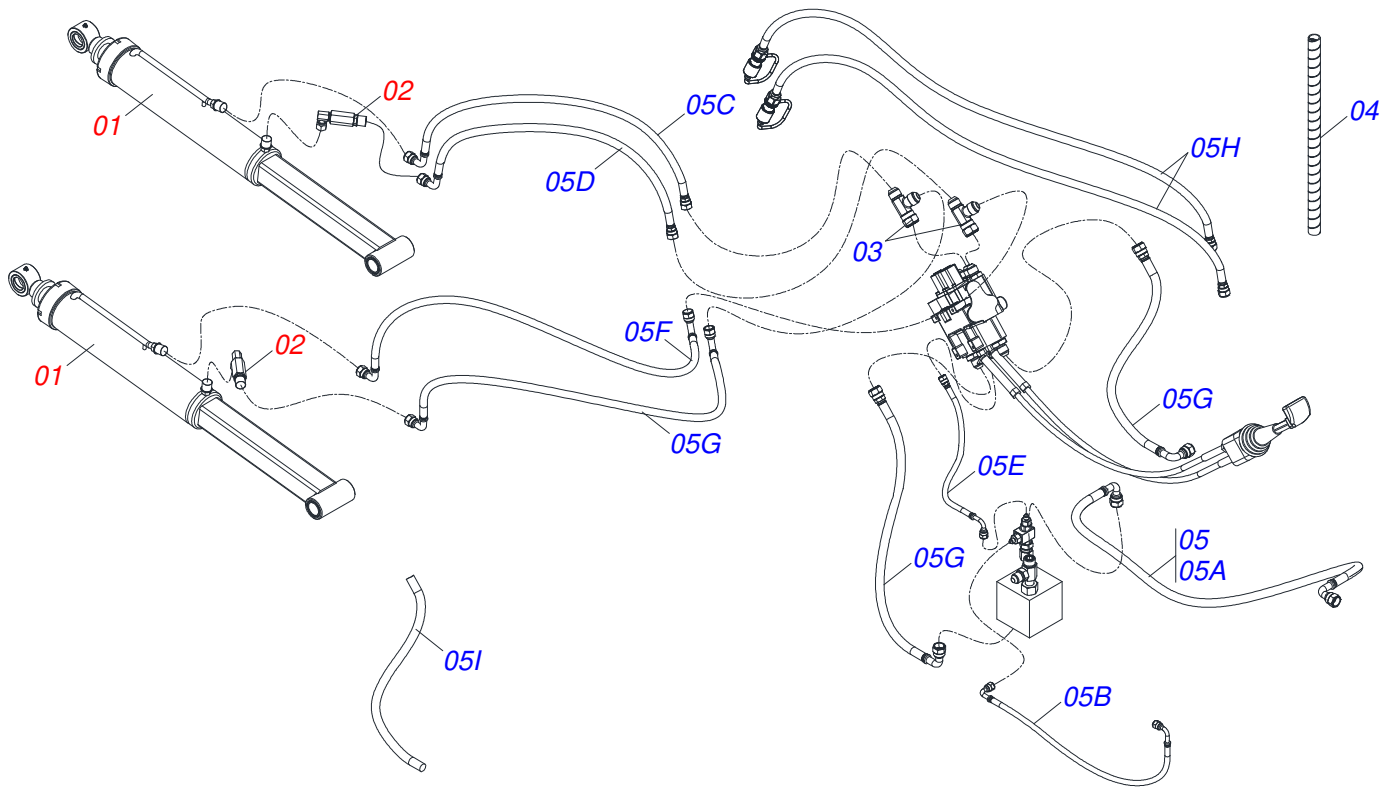
Item	Code	Description	See page	QT
01	0501014916	1.1/4" X 31.88" ROD		01
02	0501010087	1.1/4" NUT		04



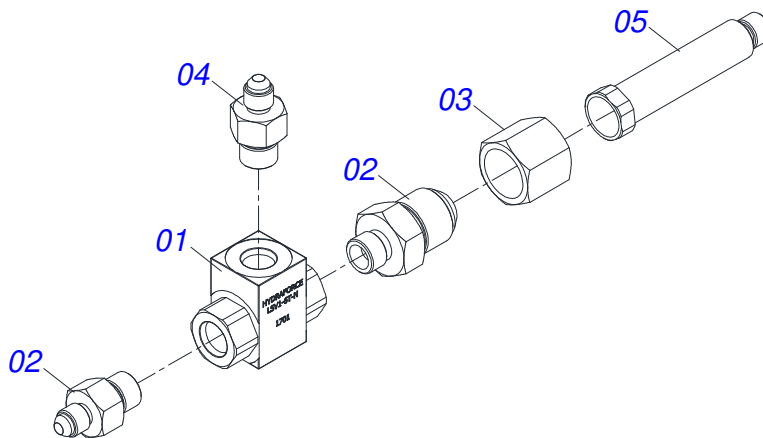
Item	Code	Description	See page	QT
01	0581016637	ROD		01
02	0502012180	CONICAL SPRING WASHER		02
03	0501010087	1.1/4" NUT		04



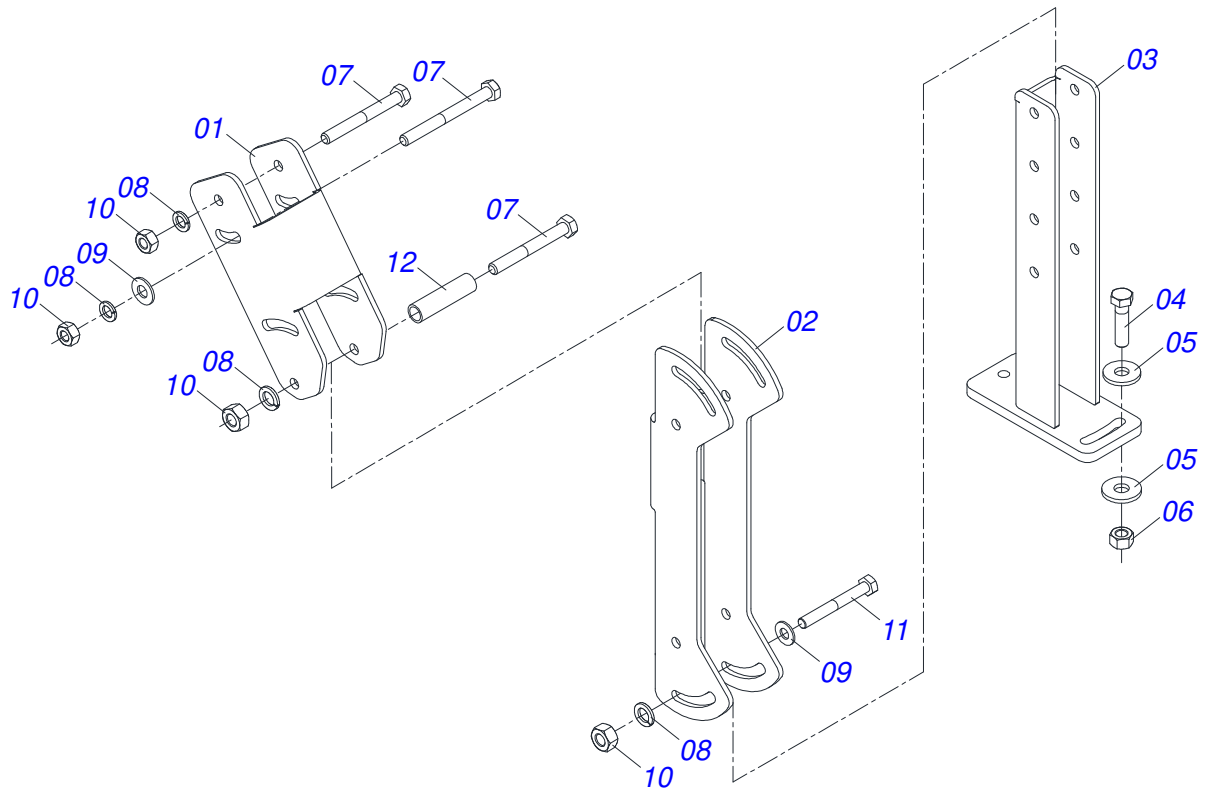
Item	Code	Description	See page	QT
01	0909096921	HYDRAULIC CIRCUIT	19	01
02	0521048404	CONNECTION	20	01
03	0521068067	ADAPTER WITH ROTATING NUT		01
04	0501068994	8,30 X 78 LOCK PIN		02
05	0501041652	FULL 1.1/4" X 31.88" ROD ASSY	16	01
06	0501217728	LOCK FOR TRANSPORTATION		02
07	0511034812	PACKAGED PARTS	23	01
08	0571018366	SUPPORT TOOL CHEST		01
09	0571018372	SLEEVE		04
10	0502010477	HOSE CLAMP		03
11	0501219026	FILTER SUPPORT		01
12	0501219039	EXHAUST SUPPORT		01
13	0501216405	WASHER 37,8 EXTERNAL HEXAGON 58 X 8,00		06
14	0581015007	BOLT 1.1/4 UNF X 103		02
15	0581015006	BOLT		04
16	0551019342	SLEEVE		04
17	0531065545	RIGHT REAR SUPPORT		01
18	0531065546	REAR LEFT SUPPORT		01
19	0531044005	JOYSTICK SUPPORT ASSEMBLY	21	01
20	0531065761	RETURN DUCT		01
21	0521047929	HYDRAULIC COMMAND 1/2 1,5 M	22	01
22	0521047923	ROD	17	02
23	0501219041	MOVABLE GUIDE FIXING SUPPORT		02
24	0531065547	PUMP SUPPORT		01
25	0501010626	FRENCH HAND		02
26	0501068213	5/8" WRENCH DOUBLE		01
27	0501061617	1" GANG BOLT WRENCH		01
28	0501010574	FLAT WASHER		04



Item	Code	Description	See page	QT
01	0521051546	HYDRAULIC CYLINDER	11	02
02	0511057771	R.7/8UNF - SAFETY VALVE	12	02
03	0531066426	1 R7/8UNF X 96,50 HOSE T ADAPTER		02
04	0581010090	SPRING PROTECTION PLASTIC HOSE		08
05	0541052602	HOSE SET		01
05A	0501081043	HOSE 1/4 X 200 TC-TR		01
05B	0501082137	1/4 X 900 TC-TC HOSE		01
05C	0501080022	1/2" X 43" TR-TR HOSE ASSY		01
05D	0501080033	1/2 X 1400 TR-TR HOSE		01
05E	0501081044	1/4 X 1500 TR-TC HOSE		01
05F	0501080495	1/2" X 98,4" TR-TC HOSE		01
05G	0501080272	1/2" X 106" TR-TC HOSE		03
05H	0501080167	1/2" X 3000 TR-TM HOSE		02
05I	0501010610	1 X 800 AB-AB HOSE		01

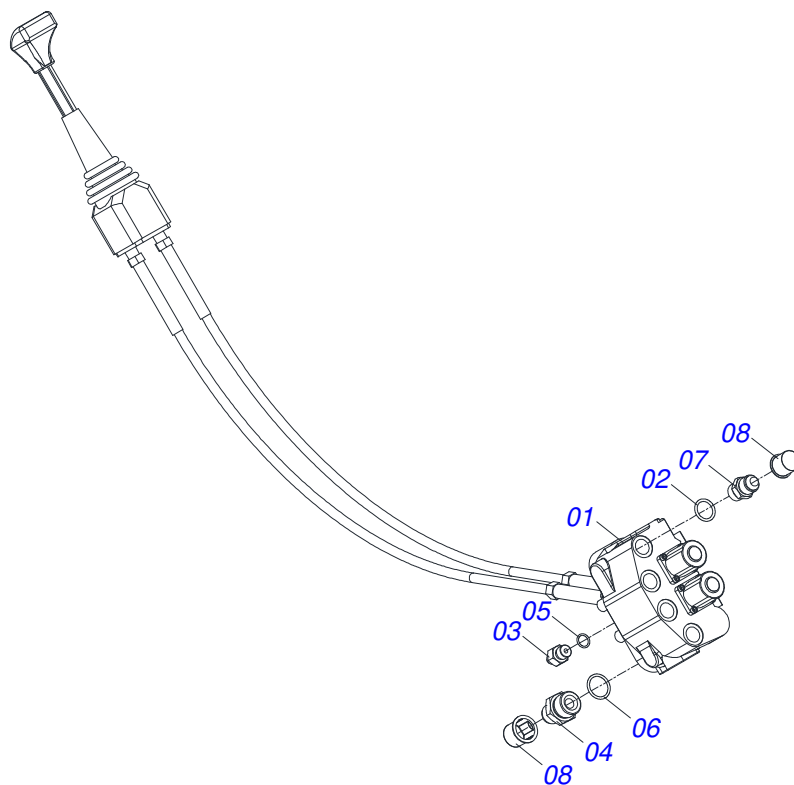


Item	Code	Description	See page	QT
01	0503018955	LSV1 LOAD SHUTTLE VALVE		01
02	0531013708	7/8 UNF X R 9/16 UNF X 45 NIPPLE		01
03	0501011479	7/8" UNF ROTATIVE NUT		01
04	0571012091	9/16 UNF X 7/16 UNF NIPL		02
05	0581017980	ADAPTER		01

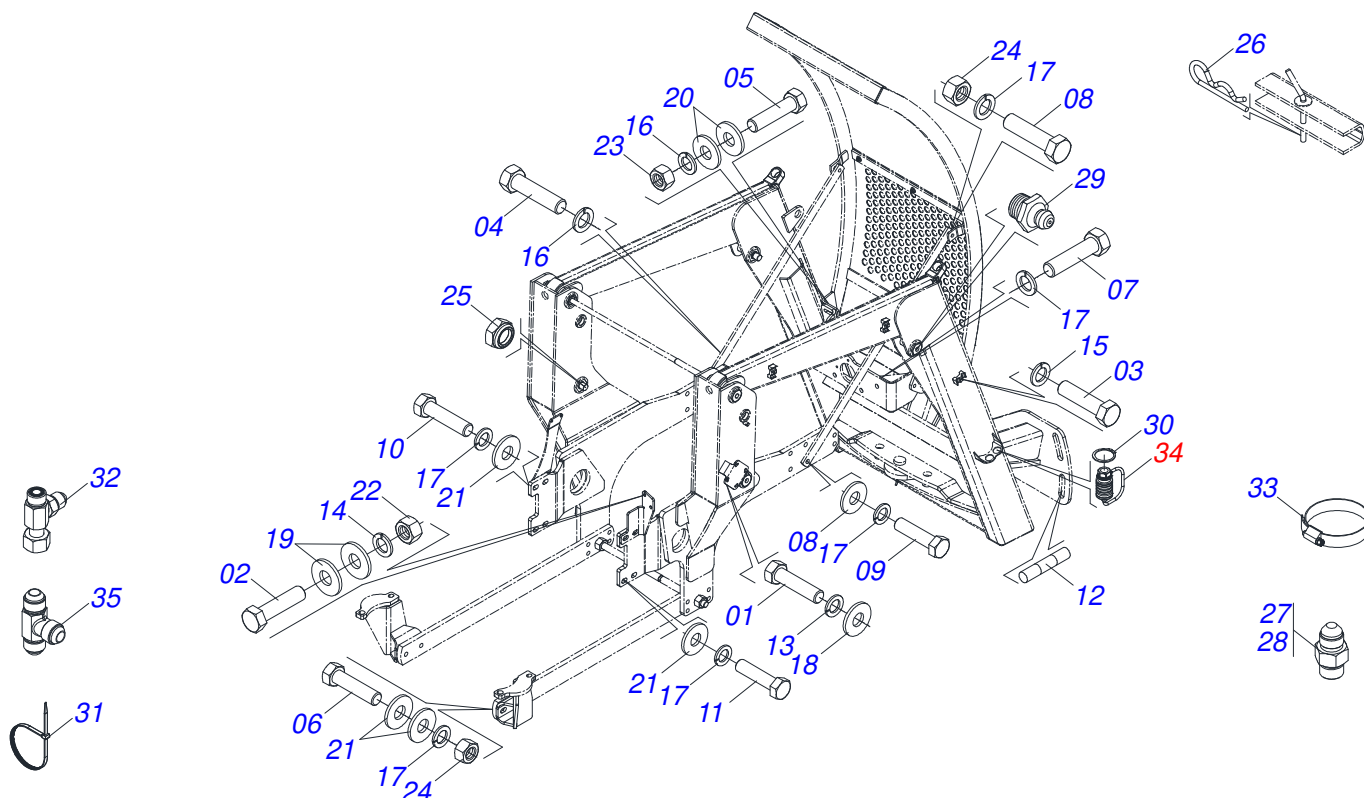


Item	Code	Description	See page	QT
01	0501217764	UPPER BODY JOYSTICK SUPPORT		01
02	0501217765	CENTRAL BODY JOYSTICK SUPPORT		01
03	0531065170	JOYSTICK BOTTOM SUPPORT		01
04	0503010849	3/8" X 1-1/2" BOLT		02
05	0501010984	10,50 X 27 X 3,00 FLAT WASHER		04
06	0503010026	3/8" NUT		02
07	0503010848	5/16" X 3.1/2" BOLT		04
08	0503010179	LOCK WASHER 5/16 ZN 1K01528		06
09	0501010694	FLAT WASHER 32,50 X 75 X 4,75		06
10	0503010337	NUT 5/16 UNC G.5 ZN		06
11	0503011053	5/16" X 3" C S 6.5 ZN BOLT		02
12	0541015551	0.39" X 0.512" X 1.9" SLEEVE		02





Item	Code	Description	See page	QT
01	0503062661	COMPLETE COMMAND - DLM142		01
02	0503010045	O'RING		04
03	0571012091	9/16 UNF X 7/16 UNF NIPPLE		01
04	0511018014	7/8 NF X 1.1/16 UN NIPPLE		02
05	0503011030	2-014 N 3006-9B O'RING		01
06	0503011109	O'RING 2-119 N 3006 9B		02
07	0501010590	NIPPLE		04
08	0503030387	PLUG		06



Item	Code	Description	See page	QT
01	0503016506	5/16 UNC X 3/4 C S G.5 ZN BOLT	04	
02	0503010849	3/8" X 1-1/2" BOLT	04	
03	0503011135	BOLT 7/16" UNC X 1.1/2" C S G.5 ZN	03	
04	0501010100	BOLT 5/8" UNC X 2 CS G.5 ZN	02	
05	0503010899	5/8 UNC X 2.1/4 BOLT	08	
06	0501010500	3/4" X 3" BOLT	12	
07	0503013110	M20 X 2,5 X 50 BOLT	04	
08	0503013111	M20 X 2,5 X 65 BOLT	10	
09	0503013104	M20 X 2,5 X 80 BOLT	02	
10	0503013090	M20 X 2,5 X 100 BOLT	04	
11	0503013365	M20 X 2,5 X 140 BOLT	04	
12	0561016755	PRISONER 1 UNC X 1 UNC X 76 ZN	04	
13	0503010179	LOCK WASHER 5/16 ZN 1K01528	04	
14	0503010025	3/8 SPRING WASHER	04	
15	0503010180	7/16" SPRING WASHER	03	
16	0503010027	5/8 SPRING WASHER	10	
17	0503010023	3/4" SPRING WASHER	36	
18	0501010694	FLAT WASHER 32,50 X 75 X 4,75	04	
19	0501012803	FLAT WASHER 12 X 30 X 3,00 ZN	06	
20	0501012140	FLAT WASHER 16,50 X 40 X 4,00 ZN	16	
21	0501010322	FLAT WASHER	14	
22	0503010026	3/8" NUT	04	
23	0503010013	NUT 5/8" UNC G.5 ZN	10	
24	0503010014	3/4" HEX NUT	12	
25	0503010044	SELF LOCKING NUT 1.1/4 UNF G.5 ZN	06	
26	0503030168	HITCH PIN CLIP	02	
27	0571012091	9/16 UNF X 7/16 UNF NIPLE	02	
28	0581015014	NIPLE 7/16 UNF JIC X 7/16 UNF X 37	01	
29	0503010002	1800 GREASE FITTING	06	
30	0503010217	501040 CLAMPING RING (FOR AXLE)	08	
31	0503013527	CLAMP ZIPER	10	

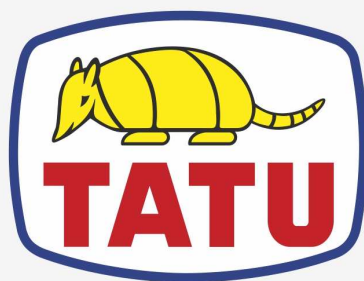


**PD 800**  
**PACKAGED PARTS**

Page 23  
0511034812

<b>Item</b>	<b>Code</b>	<b>Description</b>	<b>See page</b>	<b>QT</b>
32	0521068067	ADAPTER WITH ROTATING NUT		01
33	0503010243	CLAMP		06
34	0501053835	FEMALE QUICK COUPLER	14	02
35	0503062177	7/8 (V.C) T-ADAPTER WITH NUT		02





**MARCHESAN**

**Technical Publications | Elaboration and Revision**

LORENA ROCHA ALVES

[www.marchesan.com.br](http://www.marchesan.com.br)

