

AUXILIARY PRODUCTS

PATM
PATM

Code: 0501093695
Series: S-0823
Revision: 00
Revision Date: JANUARY/2024

PARTS

CATALOGUE



MARCHESAN



PRODUCTS

Code	Working Width	Description
0107030002		PATM S-0823

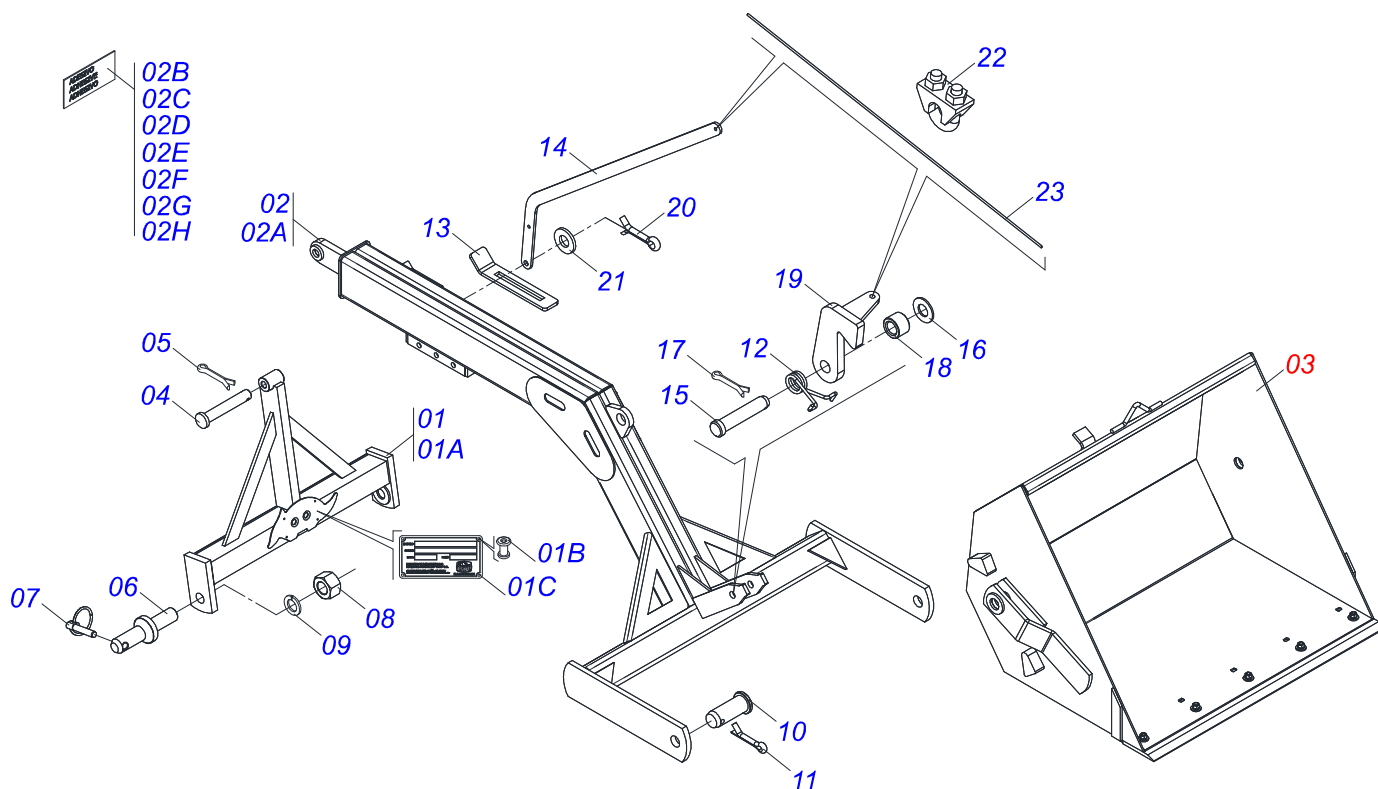
ATTENTION: IMPORTANT

Marchesan S.A. reserves the right to improve and/or modify the technical features of its products, without obligation to do the same with those products already sold and without prior knowledge of the dealer or the customer. The photos are only illustrative.



INDEX

0909097039	FRAME ASSY	1
0531045534	BUCKET COMPLETE 1000	2



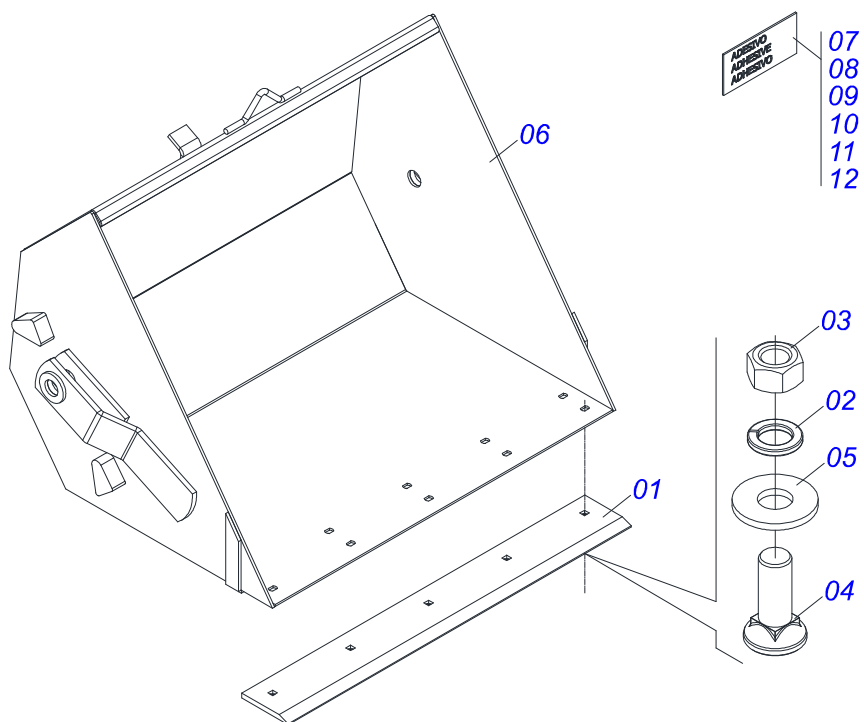
Item	Code	Description	See page	QT
01	0531045485	HEADER WITH LABELS		01
01A	0531067304	DRAWBAR		01
01B	0503010001	RIVET 3,2 X 5,5		04
01C	0503034003	61 X 118 SERIAL NUMBER TAG		01
02	0531045536	ASSY ARM		01
02A	0531067477	REAR MECHANICAL ARM		01
02B	0503034078	LIFTING POINTS DECAL		01
02C	0503036239	ATTENTION FLUIDS WITH PRESSURE DECAL		01
02D	0503031428	READ MANUAL DECAL		01
02E	0503036677	ADHESIVE LABEL		01
02F	0503064295	ADHESIVE LABEL SET		01
02G	0503036674	ADHESIVE LABEL		01
02H	0503036673	ADHESIVE LABEL		02
03	0531045534	BUCKET COMPLETE 1000	2	01
04	0501011388	COUPLING SHAFT		01
05	0503010018	5/32" X 1-1/2" SPLIT PIN		01
06	0521010635	2" X 5.7" COUPLING SHAFT		02
07	0503030430	7/16 X 2" PIN LOCK		02
08	0503010340	1" NUT		02
09	0503010012	1" SPRING WASHER		02
10	0501316280	JOINT AXIS 50.80 X 78		02
11	0503010073	3/8" X 3.1/2" SPLIT PIN		02
12	0503030025	1.4" X 0.2" TORSION SPRING		01
13	0501316892	LEVER GUIDE		01
14	0501316891	LEVER		01
15	0501316888	AXIS 22.50 X 100		01
16	0501010076	FLAT WASHER		01
17	0503010577	3/16" X 1.1/4" SPLIT PIN		01
18	0591015864	GLOVE 38.10 X 23 X 26		01
19	0531067467	ARM DISARM BUCKET WITH LOCK		01



PATM
FRAME ASSY

Page 1
0909097039

Item	Code	Description	See page	QT
20	0503010140	1/8" X 3/4" SPLIT PIN		01
21	0501010937	13,50 X 28 X 3,00 FLAT WASHER		01
22	0503010165	5/16" CABLO STEEL STAPLE		02
23	0501316930	STEEL CABLE 1/4 X 2000		01



Item	Code	Description	See page	QT
01	0501316253	CACAMBA SCRAPER 1012		01
02	0503011440	SPRING WASHER		05
03	0503012682	1/2" BSW NUT		05
04	0503012956	1/2" X 1-1/2" BOLT		05
05	0511017302	FLAT WASHER 13,50 X 32,50 X 3,0 ZN		05
06	0531067466	BUCKET		01
07	0503034078	LIFTING POINTS DECAL		01
08	0503031087	AUTO CONTROL APPROVED DECAL		01
09	0503031428	READ MANUAL DECAL		01
10	0503036240	SAFETY DO NOT CLIMB ON THE RAISED SHELL DECAL		01
11	0503036241	SAFETY CAUTION SHOCK HAZARD DECAL		01
12	0503036237	SAFETY REMOVE SHELL IN MOTION DECAL		01



MARCHESAN

Technical Publications | Elaboration and Revision

LUIZ CANDIDO

www.marchesan.com.br

