

AUXILIARY PRODUCTS

**PATH
PATH**

Code: 0501093694
Series: S-0823
Revision: 00
Revision Date: JANUARY/2024

PARTS CATALOGUE



MARCHESAN



PRODUCTS

Code	Working Width	Description
0107030001		PATH S-0823

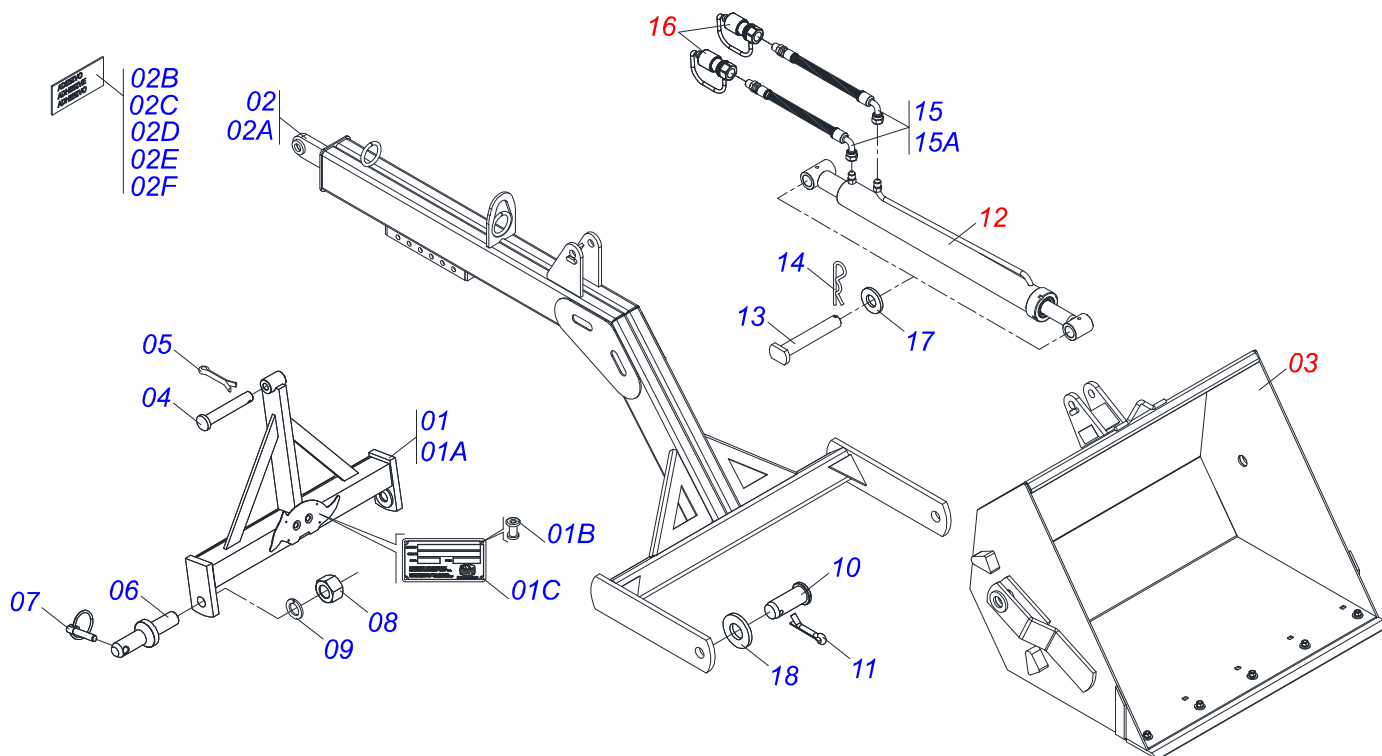
ATTENTION: IMPORTANT

Marchesan S.A. reserves the right to improve and/or modify the technical features of its products, without obligation to do the same with those products already sold and without prior knowledge of the dealer or the customer. The photos are only illustrative.

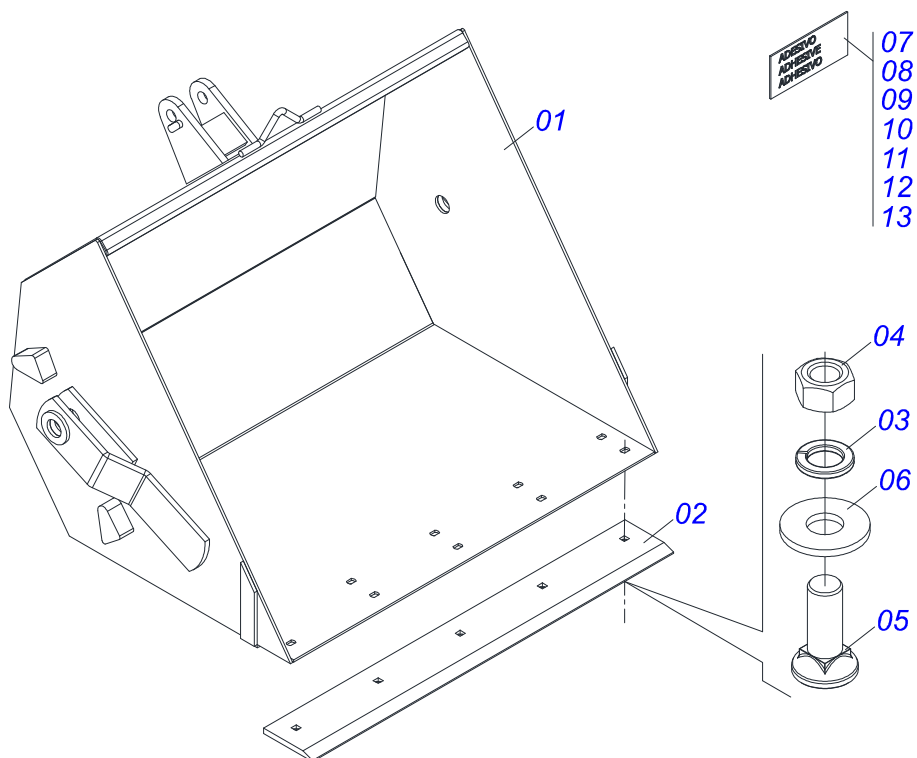


INDEX

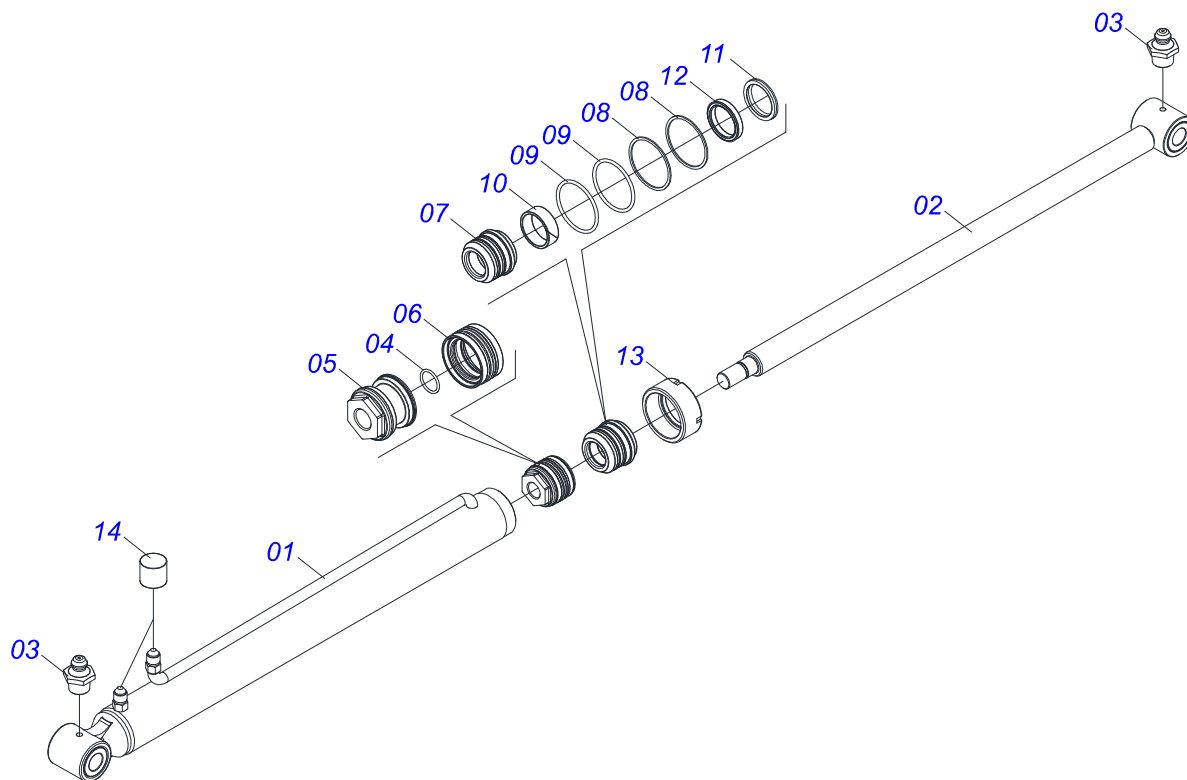
0909097045	FRAME ASSY	1
0531045483	BUCKETE COMPLETE 1000	2
0541052370	HYDRAULIC CYLINDER 38.10 X 63.50 X 953 X 672	3
0501053834	MALE QUICK COUPLER	4



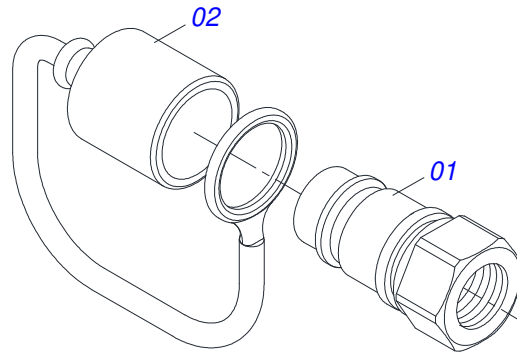
Item	Code	Description	See page	QT
01	0531045485	HEADER WITH LABELS		01
01A	0531067304	DRAWBAR		01
01B	0503010001	RIVET 3,2 X 5,5		04
01C	0503034003	61 X 118 SERIAL NUMBER TAG		01
02	0531045484	ASSY ARM		01
02A	0531067303	HYDRAULIC REAR ARM		01
02B	0503034078	LIFTING POINTS DECAL		01
02C	0503036239	ATTENTION FLUIDS WITH PRESSURE DECAL		01
02D	0503031428	READ MANUAL DECAL		01
02E	0503031827	LUBRICATE AND RETIGHTEN DAILY DECAL		01
02F	0503064295	ADHESIVE LABEL SET		01
03	0531045483	BUCKETE COMPLETE 1000	2	01
04	0501011388	COUPLING SHAFT		01
05	0503010018	5/32" X 1-1/2" SPLIT PIN		01
06	0521010635	2" X 5.7" COUPLING SHAFT		02
07	0503030430	7/16 X 2" PIN LOCK		02
08	0503010340	1" NUT		02
09	0503010012	1" SPRING WASHER		02
10	0501316280	JOINT AXIS 50.80 X 78		02
11	0503010073	3/8" X 3.1/2" SPLIT PIN		02
12	0541052370	HYDRAULIC CYLINDER 38.10 X 63.50 X 953 X 672	3	01
13	0521010785	COUPLING SHAFT		02
14	0503031035	HITCH PIN CLIP		02
15	0541052331	HOSE GAME		01
15A	0501080652	3/8" X 78" TC-TM HOSE ASSY		02
16	0501053834	MALE QUICK COUPLER	4	02
17	0501010065	1" SPRING WASHER		02
18	0501012916	FLAT WASHER 40 X 66 X 4,75 ZN		02



Item	Code	Description	See page	QT
01	0531067300	BUCKET		01
02	0501316253	CACAMBA SCRAPER 1012		01
03	0503011440	SPRING WASHER		05
04	0503012682	1/2" BSW NUT		05
05	0503012956	1/2" X 1-1/2" BOLT		05
06	0511017302	FLAT WASHER 13,50 X 32,50 X 3,0 ZN		05
07	0503036240	SAFETY DO NOT CLIMB ON THE RAISED SHELL DECAL		01
08	0503036241	SAFETY CAUTION SHOCK HAZARD DECAL		01
09	0503036237	SAFETY REMOVE SHELL IN MOTION DECAL		01
10	0503034078	LIFTING POINTS DECAL		01
11	0503031087	AUTO CONTROL APPROVED DECAL		01
12	0503031428	READ MANUAL DECAL		01
13	0503031827	LUBRICATE AND RETIGHTEN DAILY DECAL		01



Item	Code	Description	See page	QT
01	0531067305	CYLINDER CASE 63.50 X 770		01
02	0531067367	EXTENDER 38.10 X 882		01
03	0503010002	1800 GREASE FITTING		02
04	0503011109	O'RING 2-119 N 3006 9B		01
05	0502012837	PISTON		01
06	0503018005	RING		01
07	0581010668	RING SUPPORT		01
08	0503018163	BACK-UP RING		02
09	0503018162	O'RING		02
10	0503018004	RING		01
11	0503018003	GASKET		01
12	0503010163	D-1500 SCRAPER RING		01
13	0502010471	63,50 MOBILE CAP		01
14	0503030385	CYLINDER PLUG N-002		02



Item	Code	Description	See page	QT
01	0503011627	MALE QUICK COUPLER AGR 1/2 NPT		01
02	0503011882	MALE QUICK COUPLER CAP		01



MARCHESAN

Technical Publications | Elaboration and Revision

LUIZ CANDIDO

www.marchesan.com.br

