

OFFSET DISK HARROW

GAICR 24/28/30/40D - 1.3/4 AXLE
GAICR 24/28/30/40D - EIXO 1.3/4

Code: 0501093685
Series: S-0923
Revision: 00
Revision Date: NOVEMBER/2023

PARTS CATALOGUE



MARCHESAN



PRODUCTS

Code	Working Width	Description
0102260812		GAICR 24 X 28 X 7,50 DR DMO E 1.3/4 PN11L15 S-0923
0102260815		GAICR 24 X 28 X 7,50 DR DMO E 1.3/4 S-0923
0102260814		GAICR 28 X 28 X 7,50 DR DMO E 1.3/4 S-0923
0102260816		GAICR 30 X 28 X 7,50 DR DMO E 1.3/4 S-0923
0102260813		GAICR 40 X 28 X 7,50 DR DMO E 1.3/4 PN400/60 S-0923

ATTENTION: IMPORTANT

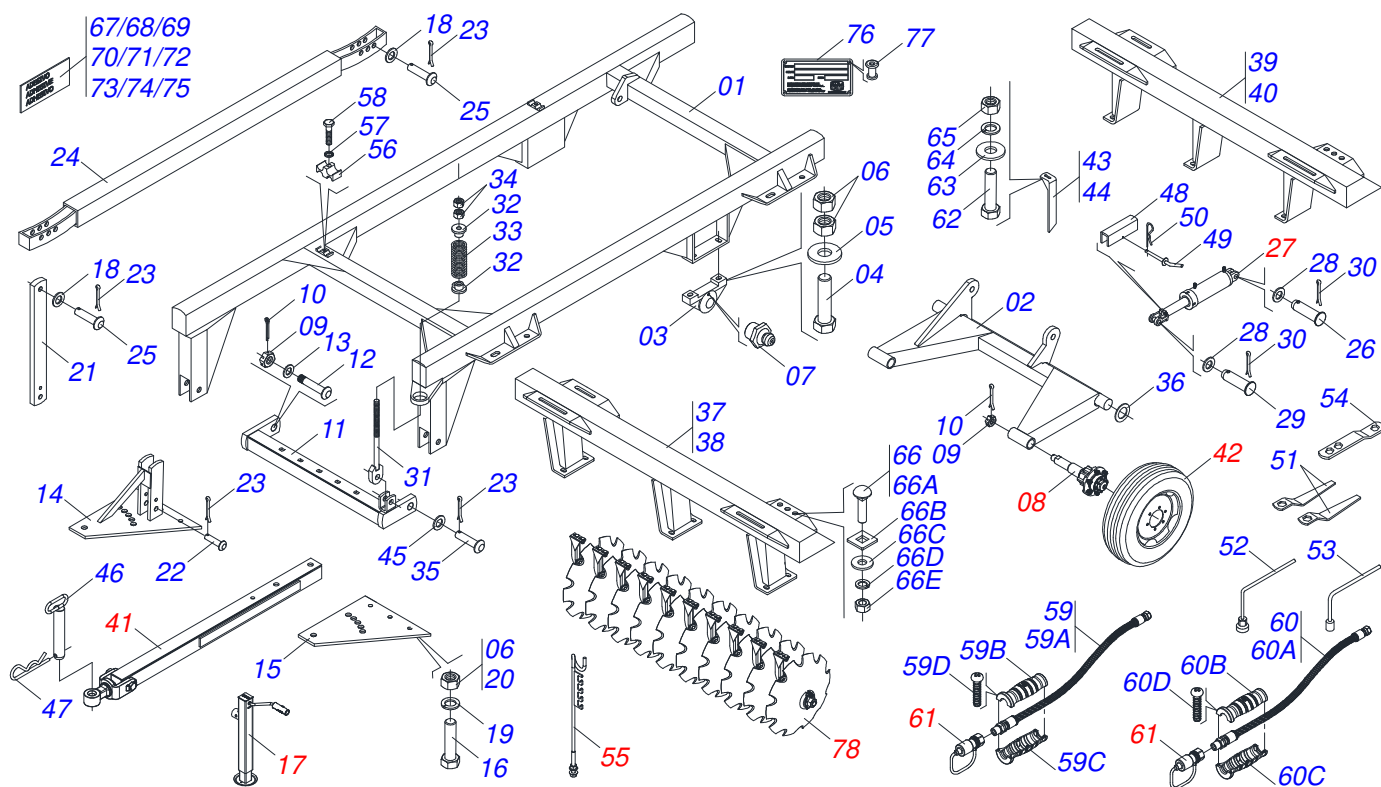
Marchesan S.A. reserves the right to improve and/or modify the technical features of its products, without obligation to do the same with those products already sold and without prior knowledge of the dealer or the customer. The photos are only illustrative.



MARCHESAN

INDEX

0909096954	FRAME ASSY - 24/28/30D	1
0501051634	STUB SHAFT HUB ASSY	2
0501051142	CARRYING WHEEL HUB	3
0511059180	HYDRAULIC CYLINDER 50,80 X 101,60 X 515 X 203	4
0521048502	ASSY TRACTION BAR	5
0521057520	HITCH ASSY	6
0503060091	L29.5"X0.63"-10L WHEEL AND	7
0503060181	WHEEL AND TIRE	8
0501040257	ASSY 3/4 X 38 HOSE SUPPORT	9
0501053834	MALE QUICK COUPLER	10
0503062157	DRAWBAR JACK	11
0909096956	FRAME ASSY - 40D	12
0501054147	RIGHT SUSPENSION TOWER	13
0501054148	LEFT SUSPENSION TOWER	14
0511059181	HYDRAULIC CYLINDER 50,80 X 101,60 X 515 X 248	15
0511041570	DRAWBAR ASSY 3"	16
0501051043	HOSE ASSY	17
0511048088	DRAWBAR JACK	18
0501051885	CARRYING-WHEELS	19
0909096955	DISC GANG - 24/28/30D	20
0909096957	DISC GANG - 40D	21
0531041583	AGRICULTURAL BEARING	22
0531052860	AGRICULTURAL BEARING	23

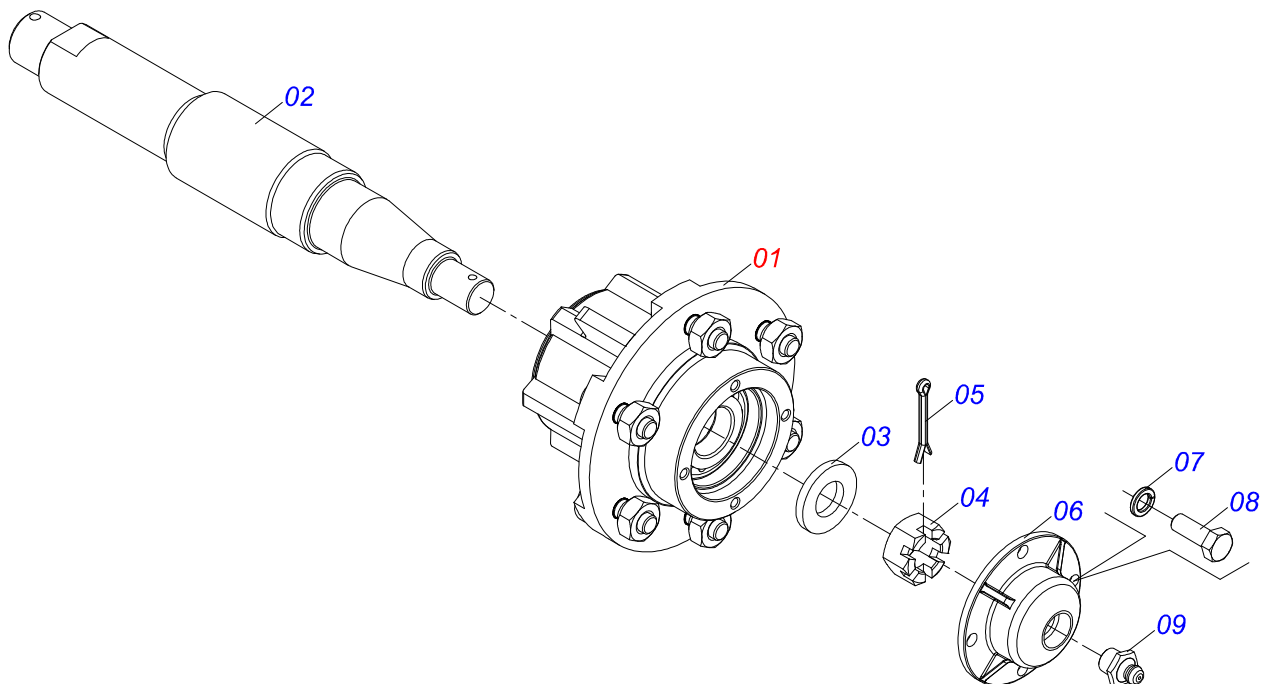


Item	Code	Description	See page	24	28	30
01	0501064754	FRAME		01	01	01
02	0501065518	CARRYING-WHEELS		01	01	01
03	0501110856	ARTICULACION BEARING		02	02	02
04	0503010797	3/4" X 4" BOLT		04	04	04
05	0501010322	20,50 X 46 X 4,00 ZN FLAT WASHER		04	04	04
06	0503010014	3/4" ZN G.5 (HEAVY) UNC HEX NUT		08	08	08
07	0503010002	1800 GREASE FITTING		02	02	02
08	0501051634	STUB SHAFT HUB ASSY	2	02	02	02
09	0501011301	1.1/2" UNC 6FPP 2.5/16" NUT		04	04	04
10	0503010010	SPLIT PIN 1/4" X 2.1/2"		04	04	04
11	0501066262	OFFSET BAR		01	01	01
12	0521017538	11-1/2" X 5" COUPLING SHAFT		02	02	02
13	0511019880	FLAT WASHER		02	02	02
14	0501066235	UPPER PLATE WITH SUPPORT		01	01	01
15	0511013000	UPPER /LOWER PLATE		01	01	01
16	0501010334	1" X 7" BOLT		05	05	05
17	0503062157	DRAWBAR JACK	11	01	01	01
18	0501011445	FLAT WASHER		03	03	03
19	0503011438	SPRING WASHER		05	05	05
20	0501010059	1.5/8 NUT		05	05	05
21	0511012972	STABILIZER BAR TOWER		01	01	01
22	0521010576	0.9" X 3.7" COUPLING SHAFT		01	01	01
23	0503010571	1/4" X 1.1/2" SPLIT PIN		04	04	04
24	0511066932	STABILIZER BAR		01	01	01
25	0521010576	0.9" X 3.7" COUPLING SHAFT		03	03	03
26	0511010174	1.2" X 5.9" COUPLING SHAFT		01	01	01
27	0511059180	HYDRAULIC CYLINDER 50,80 X 101,60 X 515 X 203	4	01	01	01
28	0501017779	FLAT WASHER 32 X 60 X 4,75		02	02	02
29	0521010779	31.75 X 95 COUPLING SHAFT		02	02	02
30	0503010523	1/4" X 2" SPLIT PIN		02	02	02

Item	Code	Description	See page	24	28	30
31	0501064698	SPRING ROD		01	01	01
32	0502020392	SPRING SUPPORT		02	02	02
33	0503030441	12.7" X 5.7" X 0.5" SPRING		01	01	01
34	0501010059	1.5/8 NUT		02	02	02
35	0521010592	1.1" X 3.1" COUPLING SHAFT		01	01	01
36	0501017579	FLAT WASHER		02	02	02
37	0501065148	FRONT FRAME - 24/25D		01	00	00
37.	0501065150	FRONT FRAME - 28/29D		00	01	00
38	0501067030	FRONT FRAME - 30D		00	00	01
39	0501065149	REAR FRAME - 24D		01	00	00
39.	0501065151	REAR FRAME - 28D		00	01	00
40	0501067031	REAR FRAME - 29/30D		00	00	01
41	0521048502	ASSY TRACTION BAR	5	01	01	01
42	0503060091	L29.5"X0.63"-10L WHEEL AND	7	02	02	02
42.	0503060181	WHEEL AND TIRE	8	02	02	02
43	0501064168	FRONT SCRAPER		07	09	08
44	0501064167	REAR SCRAPER		07	09	08
45	0561011883	FLAT WASHER		01	01	01
46	0501069080	COUPLING SHAFT		01	01	01
47	0503031035	HITCH PIN CLIP		01	01	01
48	0511010839	TRANSPORT LOCK 7.9" X 2.1" X 0.4"		01	01	01
49	0501068994	8,30 X 78 LOCK PIN		01	01	01
50	0503031035	HITCH PIN CLIP		01	01	01
51	0501011431	1-3/4" GANG BOLT WRENCH		02	02	02
52	0503016140	3/4" WRENCH CABLE CYLINDRICAL		01	01	01
53	0501061617	1" GANG BOLT WRENCH		01	01	01
54	0511018451	5/8" X 3/4" X 1" UNIVERSAL		01	01	01
55	0501040257	ASSY 3/4 X 38 HOSE SUPPORT	9	01	01	01
56	0502012702	BODY SUPPORT CLAMP		02	02	02
57	0503010180	7/16" SPRING WASHER		02	02	02
58	0503012555	SCREW 7/16 UNC X 2 CS RT G.7 ZN		02	02	02
59	0521056233	3/8 X 6000 TR-TM HOSE BLACK / RED		01	01	01
59A	0501080443	3/8 X 6000 TR-TM HOSE		01	01	01
59B	0503034495	HYDRAULIC HOSE GRIP (RED)		01	01	01
59C	0503034492	HYDRAULIC HOSE GRIP (BLACK)		01	01	01
59D	0503018952	PH 2,5 X 10 ZB PLASTIC BOLT		06	06	06
60	0521055893	3/8 X 5850 TR-TM HOSE BLACK / BLUE		01	01	01
60A	0501080421	3/8" X 230" TR-TM HOSE		01	01	01
60B	0503034494	HYDRAULIC HOSE GRIP (BLUE)		01	01	01
60C	0503034492	HYDRAULIC HOSE GRIP (BLACK)		01	01	01
60D	0503018952	PH 2,5 X 10 ZB PLASTIC BOLT		06	06	06
61	0501053834	MALE QUICK COUPLER	10	02	02	02
62	0503010740	BOLT 1/2 UNC X 2 CS G.5 ZN		28	36	32
63	0511017302	FLAT WASHER 13,50 X 32,50 X 3,0 ZN		28	36	32
64	0503010019	1/2" SPRING WASHER		28	36	32
65	0503010060	1/2 UNC G.5 ZN HEX NUT		28	36	32
66	0501040877	C1" X 3-1/4" ASSY BOLT		08	08	08
66A	0501014309	C1" X 3-1/4" BOLT		01	01	01
66B	0501010951	1" SQUARE WASHER		01	01	01
66C	0501010065	1" SPRING WASHER		01	01	01
66D	0503011438	SPRING WASHER		01	01	01
66E	0501010059	1.5/8 NUT		01	01	01
67	0503060787	GAICR DECAL SET		01	01	01
68	0503031087	AUTO CONTROL APPROVED DECAL		01	01	01
69	0503031428	READ MANUAL DECAL		01	01	01
70	0503031738	WARNING DECAL		01	01	01
71	0503031739	DANGER DECAL		01	01	01

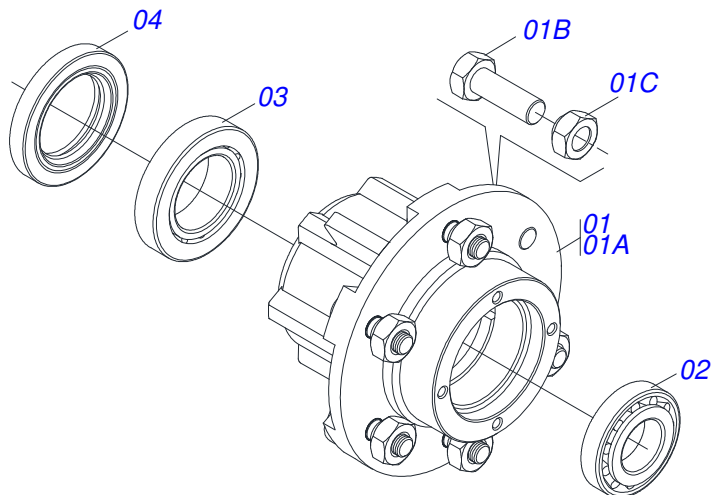


Item	Code	Description	See page	24	28	30
72	0503031827	LUBRICATE AND RETIGHTEN DAILY DECAL		01	01	01
73	0503033038	DANGER DECAL		01	01	01
74	0503034078	LIFTING POINTS DECAL		03	03	03
75	0503034499	HOSE IDENTIFICATION DECAL		01	01	01
76	0503034003	61 X 118 SERIAL NUMBER TAG		01	01	01
77	0503010001	RIVET 3,2 X 5,5		04	04	04
78		DISC GANG - 24/28/30D	20			

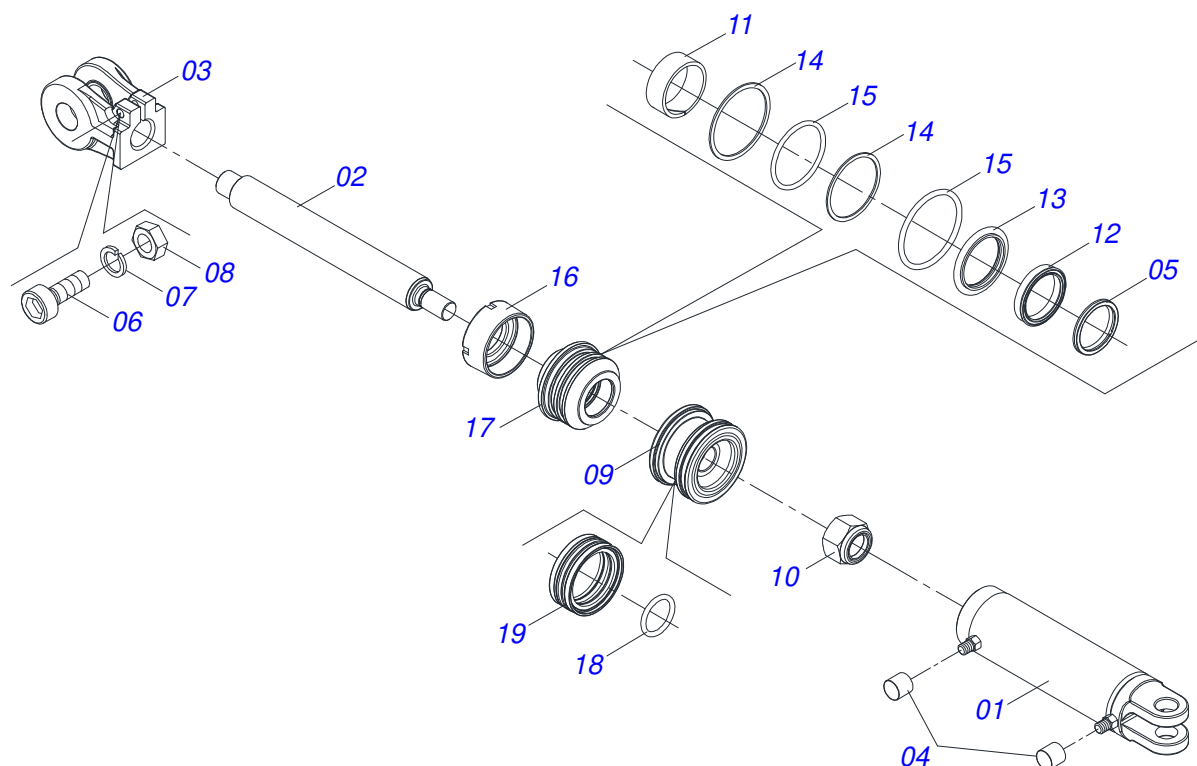


Item	Code	Description	See page	QT
01	0501051142	CARRYING WHEEL HUB	3	01
02	0521010821	2.5" X 16.5" AXLE		01
03	0501016545	FLAT WASHER		01
04	0503030009	1" CASTLE NUT		01
05	0503010018	5/32" X 1-1/2" SPLIT PIN		01
06	0502020591	PROTECCION COVER		01
07	0503011444	SPRING WASHER 5/16"		04
08	0503010358	5/16" X 5/8" BOLT		04
09	0503010002	1800 GREASE FITTING		01

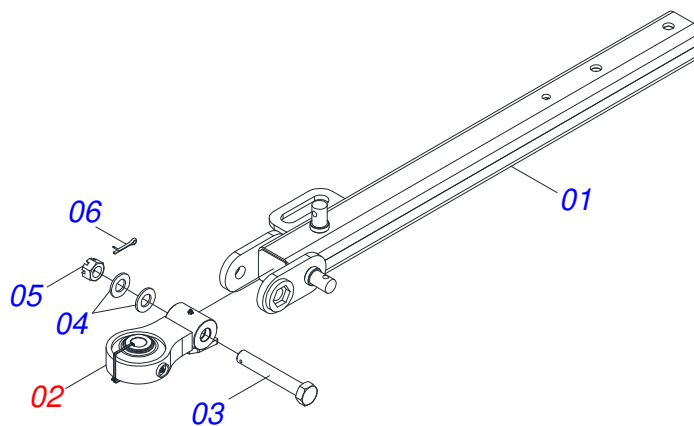
CARRYING WHEEL HUB



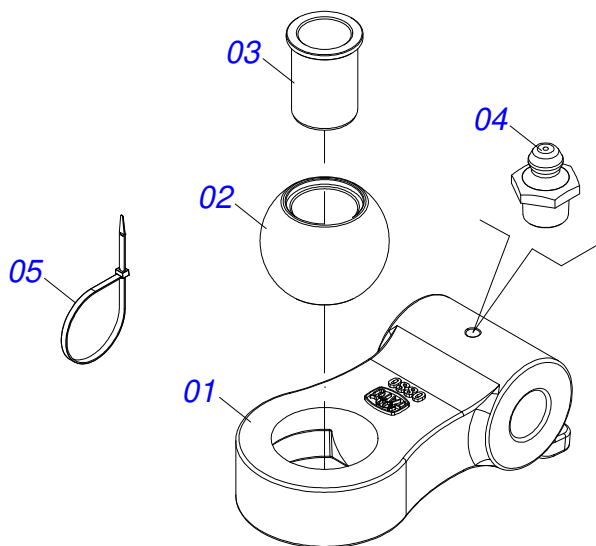
Item	Code	Description	See page	QT
01	0501110728	WHEEL HUB		01
01A	0502011121	CARRYING WHEEL HUB		01
01B	0501010127	9/16" X 1-7/8" LUG BOLT		06
01C	0503010035	9/16" CONIC NUT		06
02	0503010037	30207 ROLLER BEARING		01
03	0503010006	32210 ROLLER BEARING		01
04	0503012928	SEAL		01



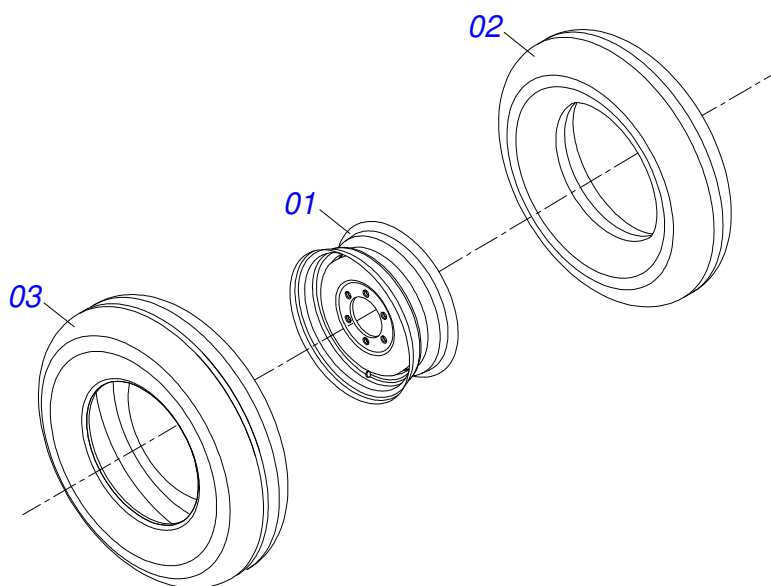
Item	Code	Description	See page	QT
01	0511070658	CYLINDER CASE		01
02	0571019958	HYDRAULIC CYLINDER TURNBUCKLE		01
03	0502040747	32.54 CLEVIS CLAMP		01
04	0503030385	CYLINDER PLUG N-002		02
05	0503010039	D-2000 SCRAPER RING		01
06	0503011094	BOLT 3/8" UNC X 2" C C S I 12.9		01
07	0503011443	SPRING WASHER 3/8"		01
08	0503010026	3/8" NUT		01
09	0502012820	2" X 4" PISTON		01
10	0503010817	SELF LOCKING NUT 1.1/4 UNF ALTA G.5 ZN		01
11	0503018025	RING GUIDE W2-2250-750		01
12	0503018026	GASKET 1870-2000-375 B POLYMAX		01
13	0503018024	RING BS OD050805200171D-BR		01
14	0503010338	2-342 N 3006-9B O-RING		02
15	0503011061	8-342 BACK-UP RING		02
16	0502012822	END CAP 4"		01
17	0502012821	2" X 4" RING SUPPORT		01
18	0503018029	O-RING 2-217 N 3006 90B		01
19	0503015633	SELEMASTER SEALING		01



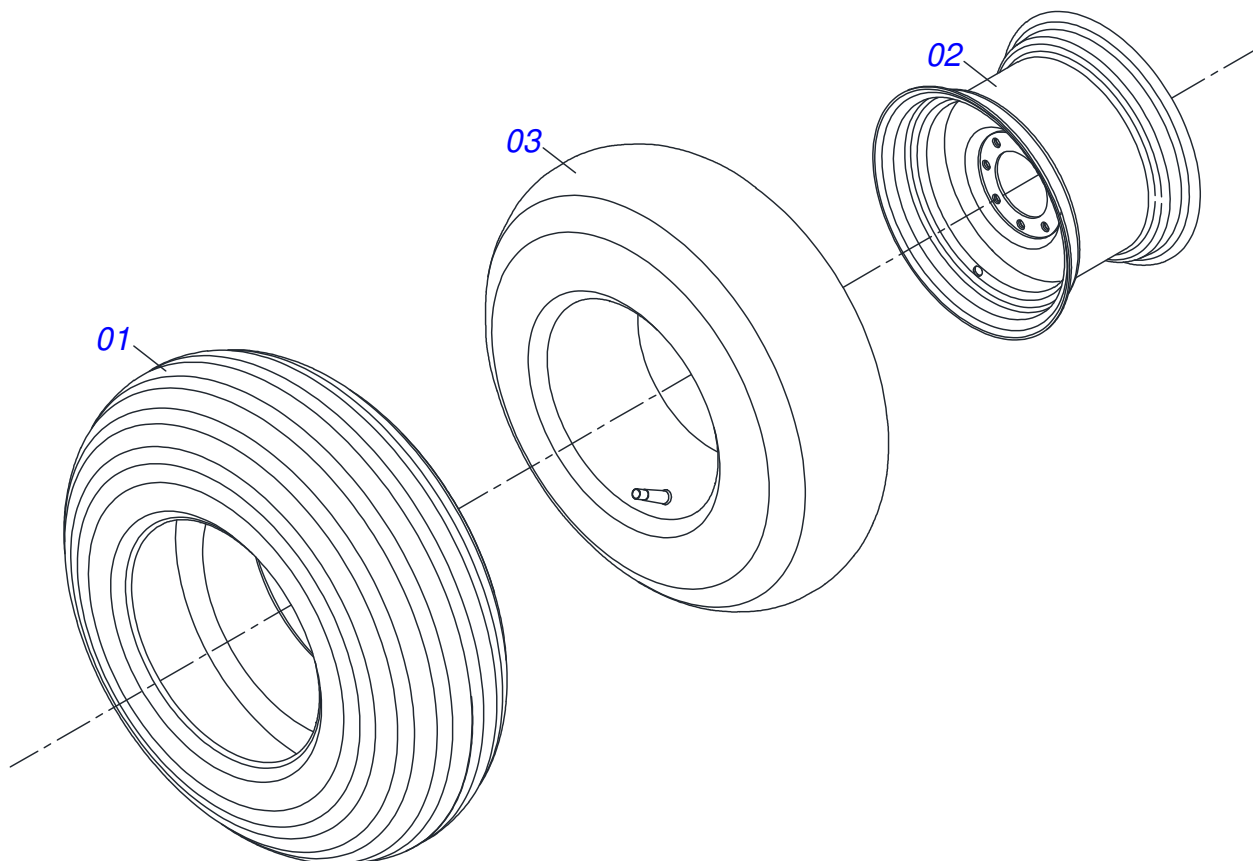
Item	Code	Description	See page	QT
01	0521069165	DRAWBAR		01
02	0521057520	HITCH ASSY	6	01
03	0581015973	1.1/4 UNC X 8 C S G5 SCREW		01
04	0501017779	FLAT WASHER 32 X 60 X 4,75		02
05	0503013026	1.1/4" CASTLE NUT		01
06	0503010010	SPLIT PIN 1/4" X 2.1/2"		01



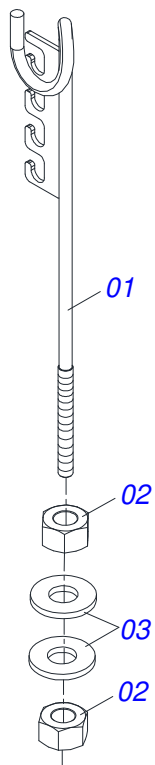
Item	Code	Description	See page	QT
01	0502040880	HITCH BODY		01
02	0502040885	BODY ATTACHMENT		01
03	0591012511	SLEEVE		01
04	0503010002	1800 GREASE FITTING		01
05	0503018829	NYLON CLAMP 7,8 X 1,8 X 390 MM		01



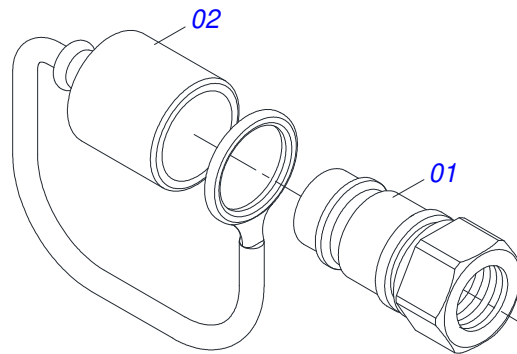
Item	Code	Description	See page	QT
01	0503010893	WHEEL		01
02	0503010033	7.50 X 16 INNER TIRE		01
03	0503010120	CANVAS TIRE		01



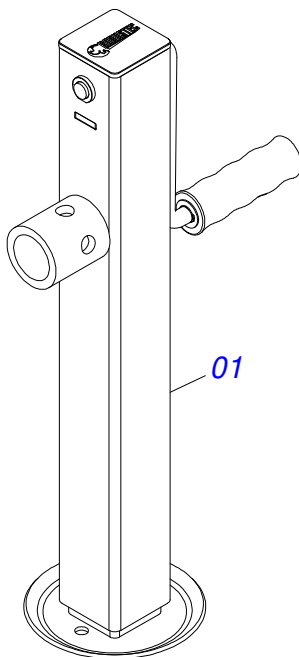
Item	Code	Description	See page	QT
01	0503010858	CANVAS TIRE		01
02	0503011468	WEEL		01
03	0503010860	AIR CHAMBER 11L 15		01



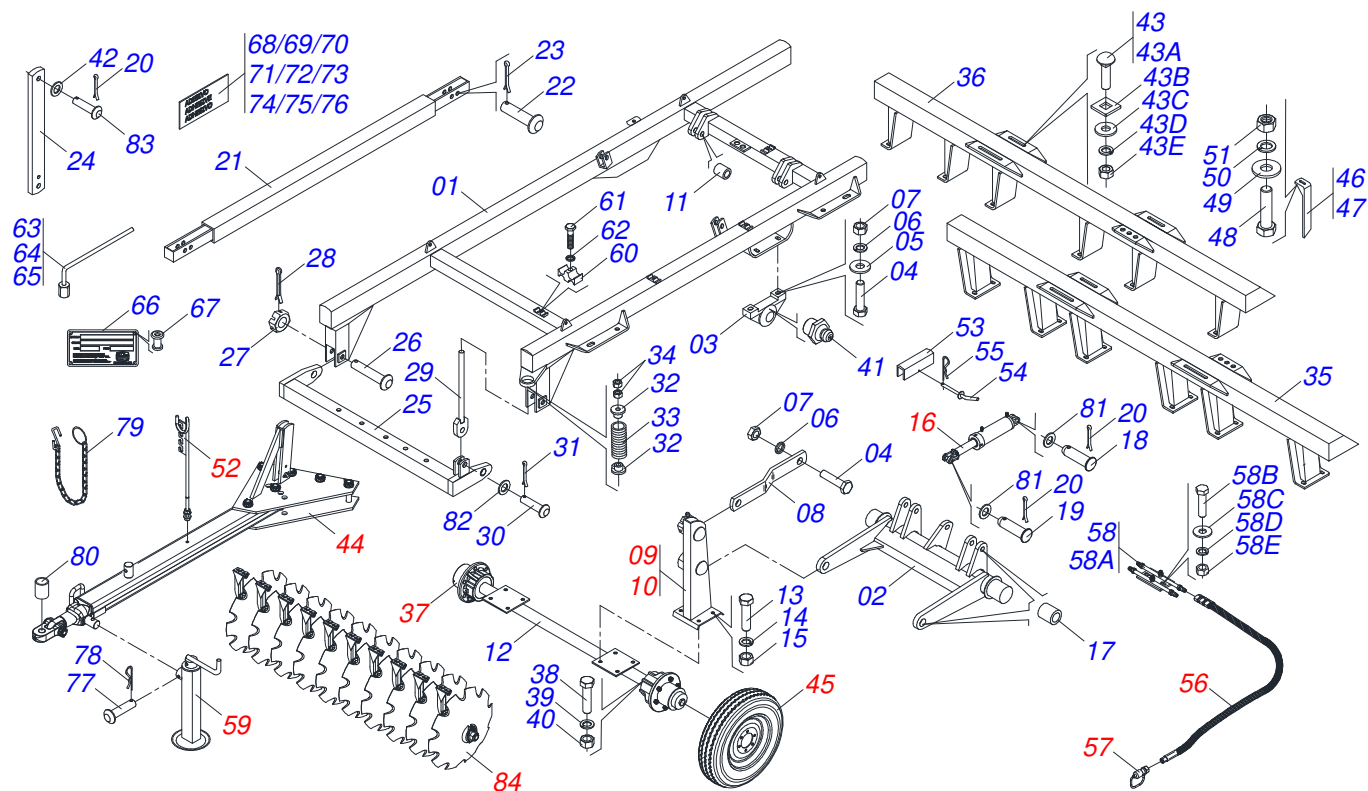
Item	Code	Description	See page	QT
01	0511067334	HOSE SUPPORT		01
02	0503010014	3/4" ZN G.5 (HEAVY) UNC HEX NUT		02
03	0501010322	20,50 X 46 X 4,00 ZN FLAT WASHER		02



Item	Code	Description	See page	QT
01	0503011627	MALE QUICK COUPLER AGR 1/2 NPT		01
02	0503011882	MALE QUICK COUPLER CAP		01



Item	Code	Description	See page	QT
01	0503062157	DRAWBAR JACK	11	01

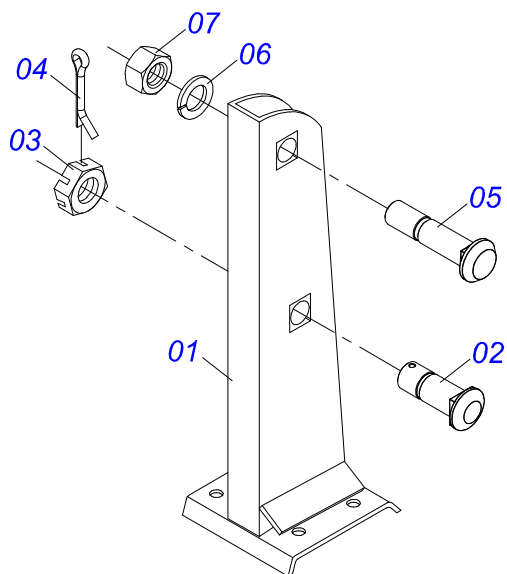


Item	Code	Description	See page	040
01	0501067290	CENTER FRAME		001
02	0501067244	WHEELS		001
03	0502010972	ARTICULACION BEARING		002
04	0503011432	BOLT		004
05	0501010065	1" SPRING WASHER		004
06	0503010012	1" SPRING WASHER		004
07	0501010059	1.5/8 NUT		004
08	0501110404	SUPPORT BAR		002
09	0501054147	RIGHT SUSPENSION TOWER	13	001
10	0501054148	LEFT SUSPENSION TOWER	14	001
11	0511019921	1.3" X 0.1" X 1" SLEEVE		002
12	0511069623	WHEEL SISTEM FIXER		001
13	0501810125	SCREW 3/4 UNC X 2.1/2 C S G.5		008
14	0503011442	3/4" SPRING WASHER		008
15	0503010014	3/4" ZN G.5 (HEAVY) UNC HEX NUT		008
16	0511059181	HYDRAULIC CYLINDER 50,80 X 101,60 X 515 X 248	15	002
17	0521010737	50,4/50,6X 38,5 X 35 SLEEVE		002
18	0511810174	COUPLING SHAFT		002
19	0521010547	1.2" X 6.5" COUPLING SHAFT		002
20	0503010523	1/4" X 2" SPLIT PIN		004
21	0501067243	STABILIZER BAR		001
22	0521810575	COUPLING SHAFT		002
23	0503010571	1/4" X 1.1/2" SPLIT PIN		002
24	0511013526	STABILIZER BAR TOWER		001
25	0501067241	OFFSET BAR		001
26	0521817538	COUPLING SHAFT		002
27	0501011301	1.1/2" UNC 6FPP 2.5/16" NUT		002
28	0503010010	SPLIT PIN 1/4" X 2.1/2"		002
29	0501064699	SPRING ROD		001
30	0521010592	1.1" X 3.1" COUPLING SHAFT		001

Item	Code	Description	See page	040
31	0503010571	1/4" X 1.1/2" SPLIT PIN		001
32	0502020394	SPRING SUPPORT		001
33	0503030441	12.7" X 5.7" X 0.5"SPRING		001
34	0501810087	NUT - 1.1/4 UNC 7FPP (SEXT.2) SA		002
35	0501065165	FRONT FRAME - 40D		001
36	0501065166	REAR FRAME - 40D		001
37	0501051885	CARRYING-WHEELS	19	002
38	0503810706	SCREW 1/2 UNC X 4.1/2 C S G.5 SA		002
39	0503011440	SPRING WASHER		002
40	0503810060	NUT 1/2 NC S SA		002
41	0503010002	1800 GREASE FITTING		004
42	0501011445	FLAT WASHER		001
43	0501040877	C1" X 3-1/4" ASSY BOLT		008
43A	0501014309	C1" X 3-1/4" BOLT		001
43B	0501010951	1" SQUARE WASHER		001
43C	0501010065	1" SPRING WASHER		001
43D	0503011438	SPRING WASHER		001
43E	0501010059	1.5/8 NUT		001
44	0511041570	DRAWBAR ASSY 3"	16	001
45	0503060102	WHEEL AND TIRE 400/60 - 14L RIGHT		002
46	0501065827	FRONT CLEANER		013
47	0501065828	REAR CLEANER		013
48	0503010740	BOLT 1/2 UNC X 2 CS G.5 ZN		052
49	0511017302	FLAT WASHER 13,50 X 32,50 X 3,0 ZN		104
50	0503010019	1/2" SPRING WASHER		052
51	0503010060	1/2 UNC G.5 ZN HEX NUT		052
52	0501040257	ASSY 3/4 X 38 HOSE SUPPORT	9	001
53	0501066386	TRANSPORT LOCK 9.54"		002
54	0501068994	8,30 X 78 LOCK PIN		001
55	0503030168	HITCH PIN CLIP		002
56	0501051043	HOSE ASSY	17	001
57	0501053834	MALE QUICK COUPLER	10	002
58	0501051611	CONNECTION ASSY		001
58A	0501068706	DOUBLE CONNECTION		001
58B	0503010237	3/8" X 1" BOLT		002
58C	0501010984	10,50 X 27 X 3,00 FLAT WASHER		002
58D	0503010025	3/8 SPRING WASHER		002
58E	0503010026	3/8" NUT		002
59	0511048088	DRAWBAR JACK	18	001
60	0502012702	BODY SUPPORT CLAMP		005
61	0503012555	SCREW 7/16 UNC X 2 CS RT G.7 ZN		001
62	0503010180	7/16" SPRING WASHER		005
63	0501061617	1" GANG BOLT WRENCH		001
64	0503016140	3/4" WRENCH CABLE CYLINDRICAL		002
65	0501011431	1-3/4" GANG BOLT WRENCH		001
66	0503034003	61 X 118 SERIAL NUMBER TAG		001
67	0503010001	RIVET 3,2 X 5,5		004
68	0503060787	GAICR DECAL SET		001
69	0503031428	READ MANUAL DECAL		001
70	0503031087	AUTO CONTROL APPROVED DECAL		001
71	0503031827	LUBRICATE AND RETIGHTEN DAILY DECAL		001
72	0503034078	LIFTING POINTS DECAL		004
73	0503031738	WARNING DECAL		002
74	0503033038	DANGER DECAL		001
75	0503034499	HOSE IDENTIFICATION DECAL		001
76	0503031739	DANGER DECAL		001
77	0561014251	COUPLING SHAFT		001

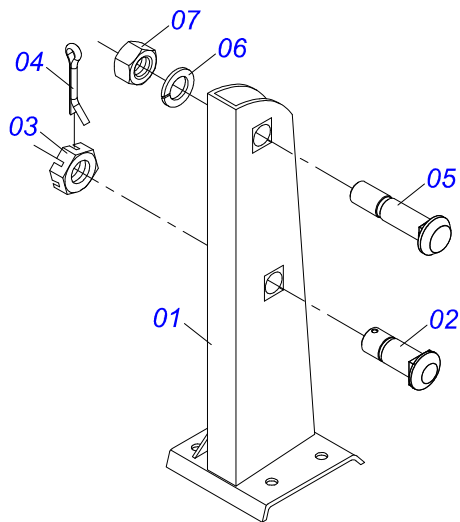


Item	Code	Description	See page	040
78	0503030012	HITCH PIN CLIP		001
79	0503013150	1300 X 3/8" CHAIN		001
80	0581010270	GLOVE 48 X 59.30 X 76		001
81	0501017779	FLAT WASHER 32 X 60 X 4,75		004
82	0561011883	FLAT WASHER		001
83	0521010576	0.9" X 3.7" COUPLING SHAFT		001
84		DISC GANG - 40D	21	

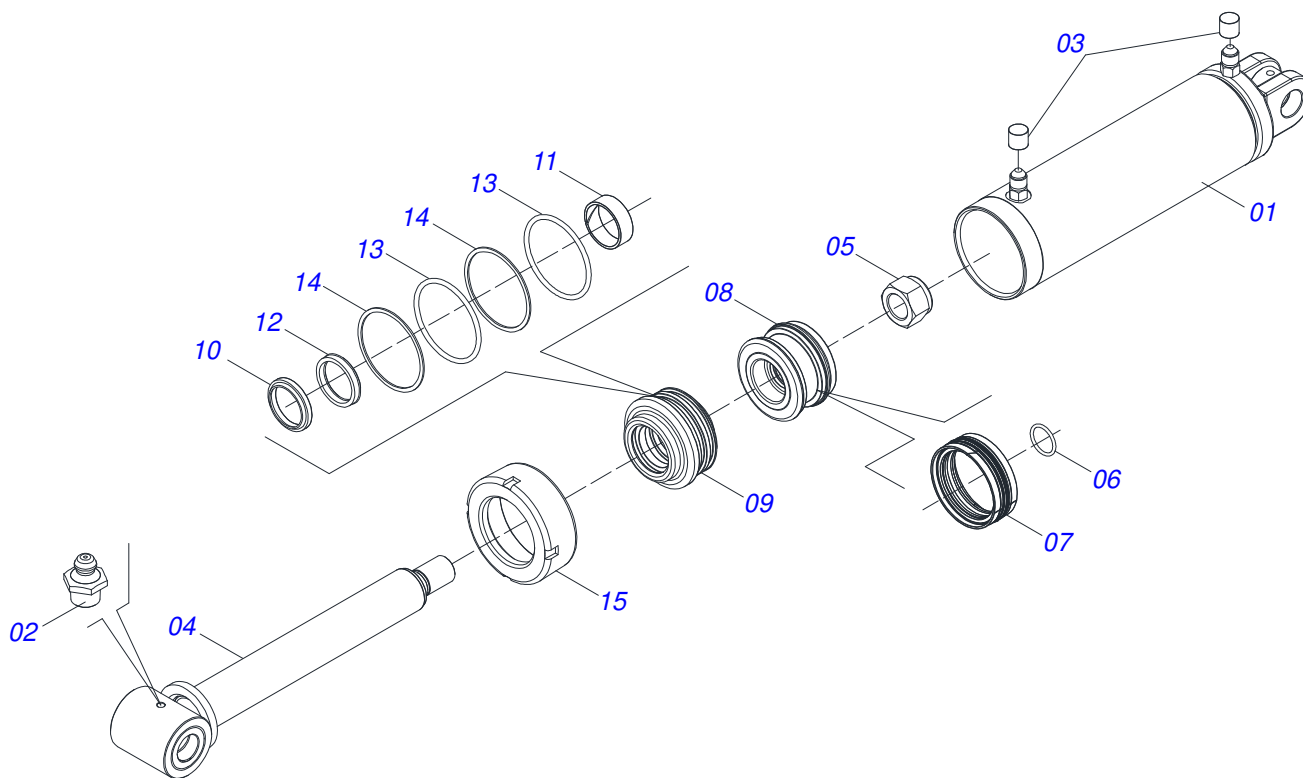


Item	Code	Description	See page	QT
01	0501068260	RIGHT SUSPENSION TOWER		01
02	0511018006	1-1/2 X 4.13" U BOLT OF SUSP TOWER		01
03	0501011301	1.1/2" UNC 6FPP 2.5/16" NUT		01
04	0503010010	SPLIT PIN 1/4" X 2.1/2"		01
05	0511017974	1" U BOLT SUSPENSION TOWER		01
06	0503010012	1" SPRING WASHER		01
07	0501010059	1.5/8 NUT		01

LEFT SUSPENSION TOWER

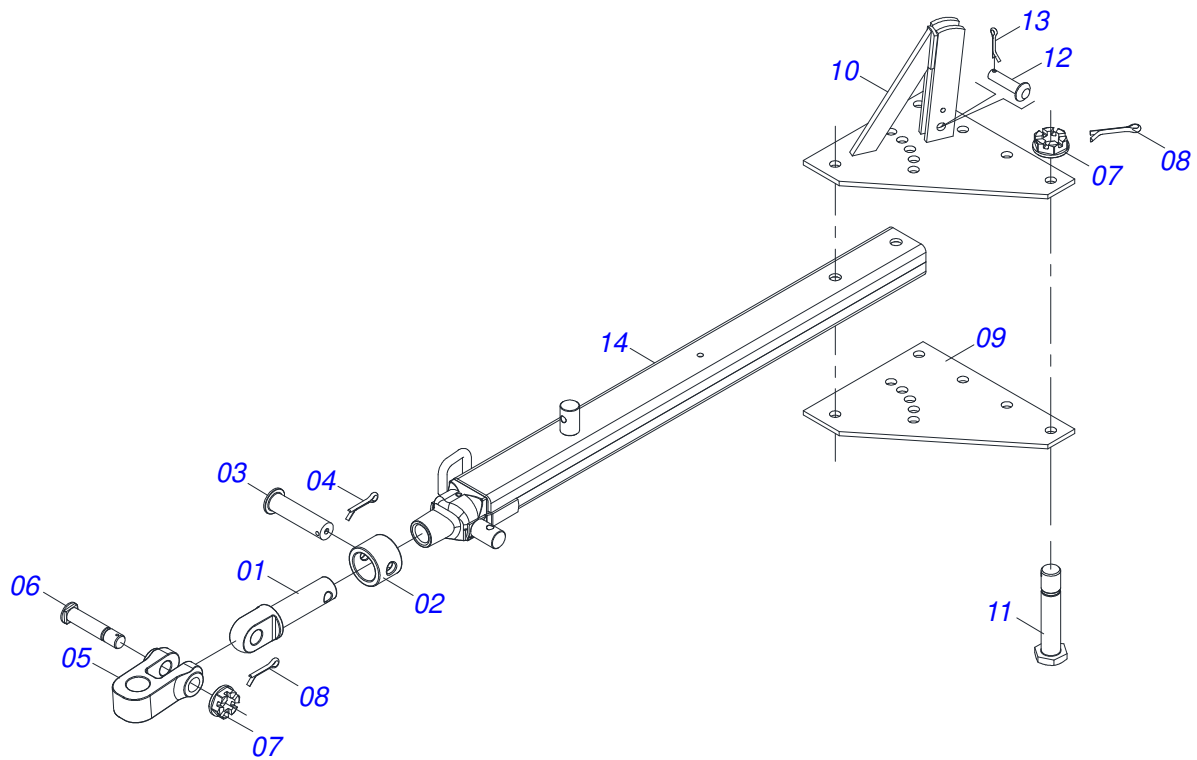


Item	Code	Description	See page	QT
01	0501068261	LEFT SUSPENSION TOWER		01
02	0511018006	1-1/2 X 4.13" U BOLT OF SUSP TOWER		01
03	0501011301	1.1/2" UNC 6FPP 2.5/16" NUT		01
04	0503010010	SPLIT PIN 1/4" X 2.1/2"		01
05	0511017974	1" U BOLT SUSPENSION TOWER		01
06	0503010012	1" SPRING WASHER		01
07	0501010059	1.5/8 NUT		01

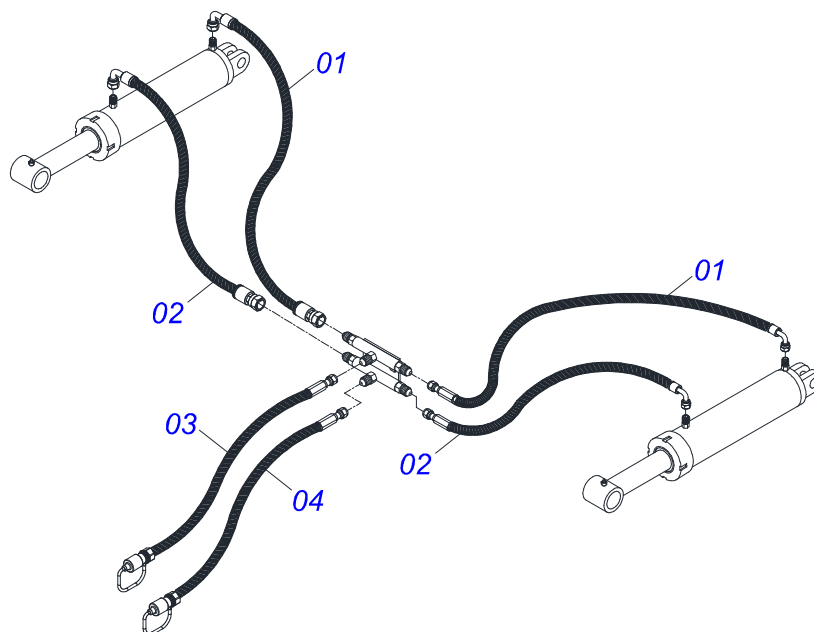


Item	Code	Description	See page	QT
01	0501067256	4" X 16" CYLINDER CASE		01
02	0503010002	1800 GREASE FITTING		02
03	0503030385	CYLINDER PLUG N-002		02
04	0521066345	50,80 X 452 TURNBUCLE		01
05	0503010817	SELF LOCKING NUT 1.1/4 UNF ALTA G.5 ZN		01
06	0503010345	2-218 N 3006-9B O'RING		01
07	0503015633	SELEMASTER SEALING		01
08	0502012842	50,80 X 101,60 PISTON		01
09	0581010678	50,80 X 101 RING SUPPORT		01
10	0503015636	SCRAPER SEAL		01
11	0503018025	RING GUIDE W2-2250-750		01
12	0503018026	GASKET 1870-2000-375 B POLYMAX		01
13	0503010338	2-342 N 3006-9B O'RING		02
14	0503011061	8-342 BACK-UP RING		02
15	0502012822	END CAP 4"		01

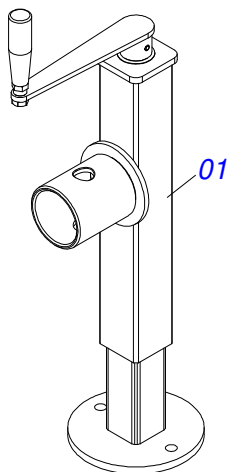
DRAWBAR ASSY 3"



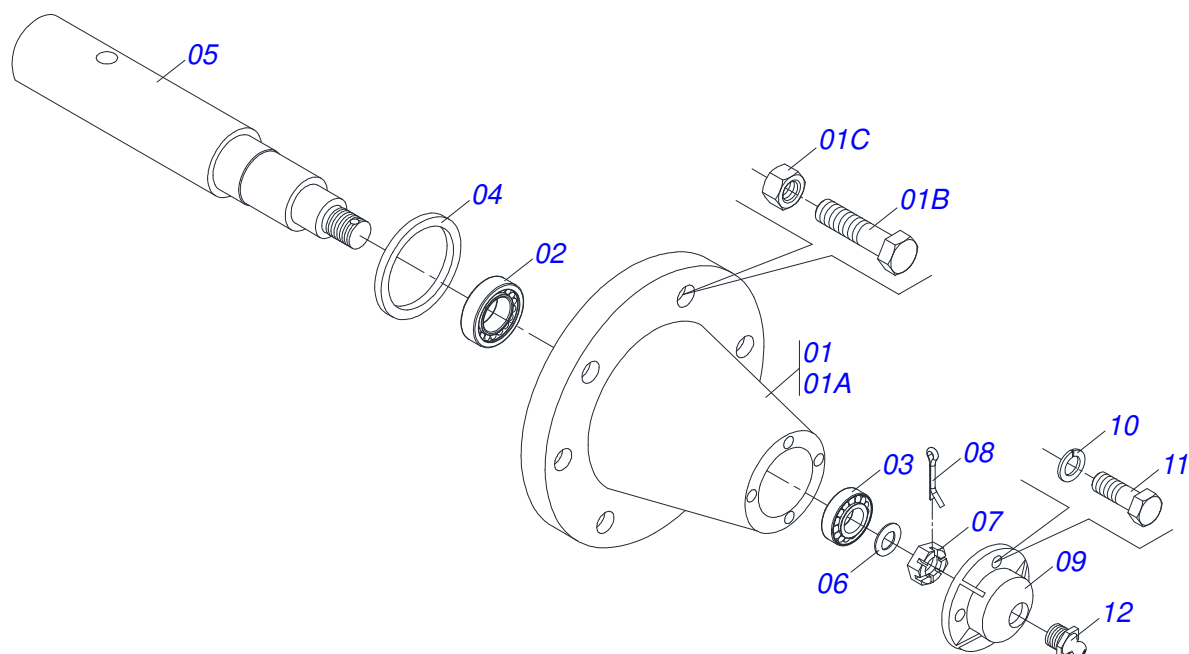
Item	Code	Description	See page	QT
01	0502040223	DRAWBOLT		01
02	0502040327	HITCH LOCK RING		01
03	0511014902	COUPLING SHAFT		01
04	0503010571	1/4" X 1.1/2" SPLIT PIN		01
05	1902040733	U COUPLING HOOK		01
06	0521012545	COUPLING SHAFT		01
07	0501011301	1.1/2" UNC 6FPP 2.5/16" NUT		07
08	0503010010	SPLIT PIN 1/4" X 2.1/2"		07
09	0511016137	UPPER /LOWER PLATE		01
10	0501067250	UPPER PLATE WITH SUPPORT		01
11	0501016419	1-1/2" X 7.5" BOLT		06
12	0521010779	31.75 X 95 COUPLING SHAFT		01
13	0503010523	1/4" X 2" SPLIT PIN		01
14	0501069323	TRACTION BAR		01



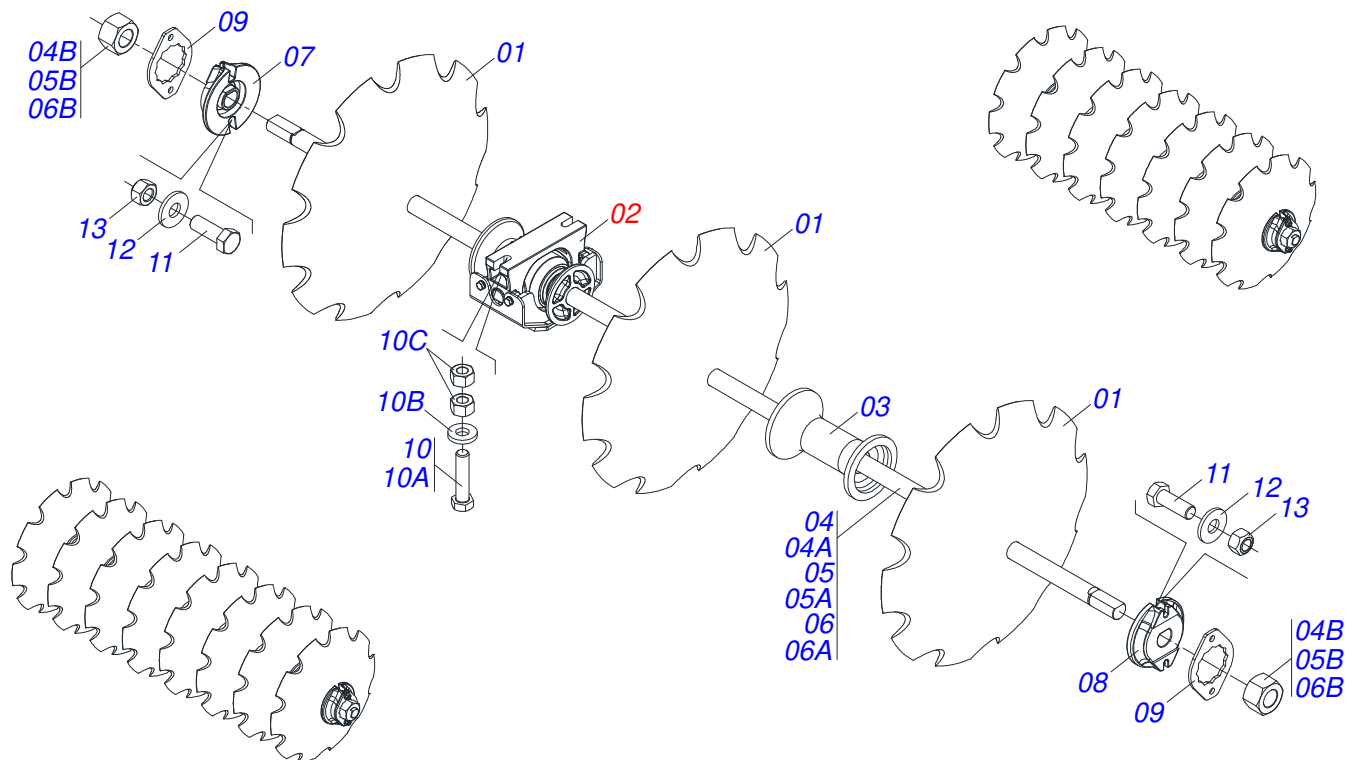
Item	Code	Description	See page	QT
01	0501080054	3/8" X 17" TR-TC HOSE ASSY		02
02	0501080413	3/8" X 27" TR-TC HOSE		02
03	0501080458	3/8" X 315" TC-TM HOSE ASSY		01
04	0501080459	3/8" X 322" TC-TM HOSE ASSY		01



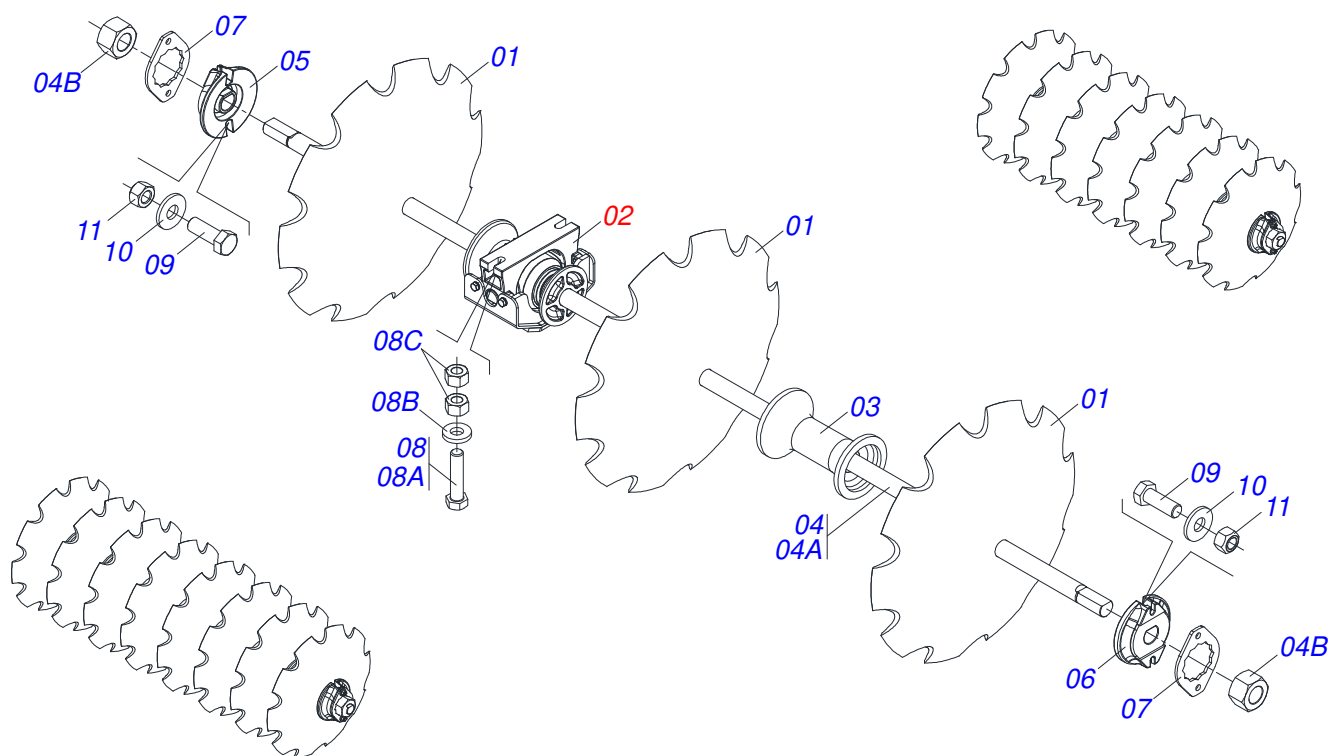
Item	Code	Description	See page	QT
01	0503062227	DRAWBAR JACK		01



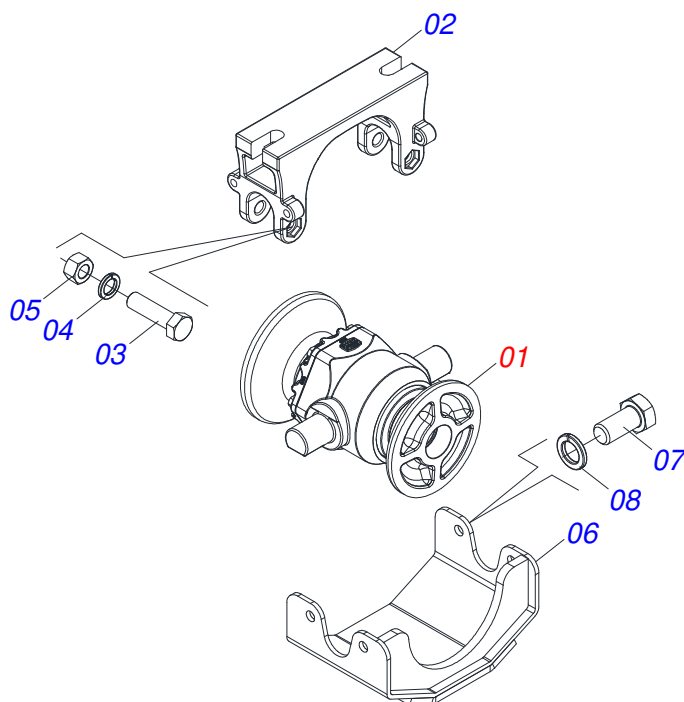
Item	Code	Description	See page	QT
01	0501110738	CARRYING WHEEL HUB 21FT		01
01A	0502012260	TRANSPORT WHEEL BOX		01
01B	0503010064	5/8 UNF CONIC NUT		08
01C	0501010186	WHEEL BOLT 5/8"UNF X 2.1/8CR		08
02	0503011156	2780/2720 IMP ROLLER BEARING		01
03	0503010008	3780/3720 ROLLER BEARING		01
04	0503013314	RETAINER 5166-GB 63,5 X 110 X 13 ARCA		01
05	0511012494	SPINDLE		01
06	0511012492	FLAT WASHER		01
07	0503030009	1" CASTLE NUT		01
08	0503010018	5/32" X 1-1/2" SPLIT PIN		01
09	0502020591	PROTECCION COVER		01
10	0503011444	SPRING WASHER 5/16"		04
11	0503010358	5/16" X 5/8" BOLT		04
12	0503010002	1800 GREASE FITTING		01



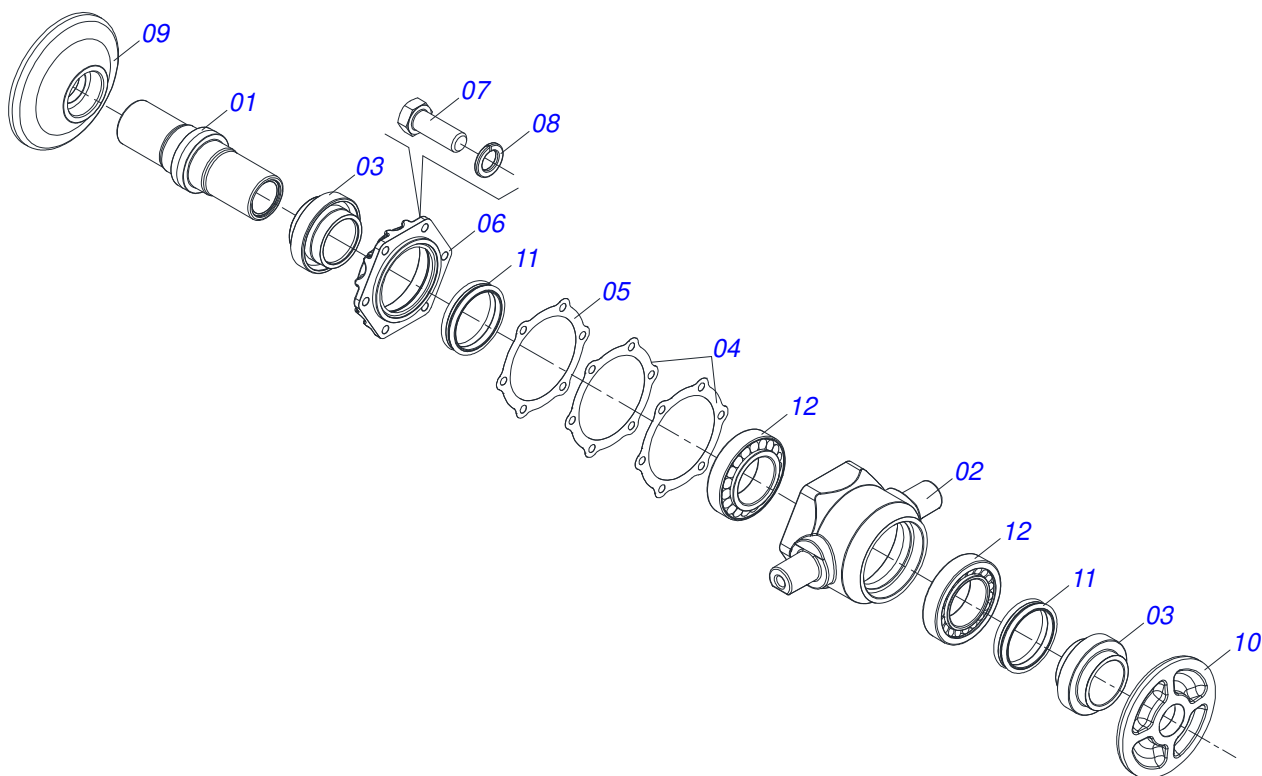
Item	Code	Description	See page	24	28	30
01	0602037001	DR 28 X 7,5 C102AF04FR1.13/16 10REC TATU		24	28	30
02	0531041583	AGRICULTURAL BEARING	22	08	08	12
03	0502010400	263 SPACER		16	16	12
04	0501040361	1.3/4 X 1520 AXLE WITH NUT		04	00	00
04A	0501011424	1,3/4" X 1520 AXLE		01	00	00
04B	0501010333	1.3/4" NUT		02	00	00
05	0501040362	1.3/4" X 1790 AXLE WITH NUTS		00	04	00
05A	0501011422	1.3/4 X 1790 AXLE		00	01	00
05B	0501010333	1.3/4" NUT		00	02	00
06	0501040360	1.3/4" X 1250 AXLE WITH NUT		00	00	06
06A	0501011425	1.3/4 X 1250 AXLE		00	00	01
06B	0501010333	1.3/4" NUT		00	00	02
07	0502012221	1-1/2" INNER AXLE WASHER		04	04	06
08	0502012222	1-3/4" EXTERNAL AXLE WASHER		04	04	06
09	0511014339	1-5/8" 2.8" NUT LOCK		08	08	12
10	0521047424	SCREW ASSY		16	16	24
10A	0501010500	3/4" X 3" BOLT		01	01	01
10B	0501010322	20,50 X 46 X 4,00 ZN FLAT WASHER		01	01	01
10C	0503012183	SNC 3/4" ZIN 1K03097 NUT		02	02	02
11	0503010232	5/8" X 1.3/4" BOLT		08	08	12
12	0501012140	FLAT WASHER 16,50 X 40 X 4,00 ZN		08	08	12
13	0503012412	5/8" UNC SELF LOCKING NUT		08	08	12



Item	Code	Description	See page	40
01	0602037001	DR 28 X 7,5 C102AF04FR1.13/16 10REC TATU		40
02	0531041583	AGRICULTURAL BEARING	22	16
03	0502010400	263 SPACER		16
04	0501040360	1.3/4" X 1250 AXLE WITH NUT		08
04A	0501011425	1.3/4 X 1250 AXLE		01
04B	0501010333	1.3/4" NUT		02
05	0502012221	1-1/2" INNER AXLE WASHER		08
06	0502012222	1-3/4" EXTERNAL AXLE WASHER		08
07	0511014339	1-5/8" 2.8" NUT LOCK		16
08	0521047424	SCREW ASSY		32
08A	0501010500	3/4" X 3" BOLT		01
08B	0501010322	20,50 X 46 X 4,00 ZN FLAT WASHER		01
08C	0503012183	SNC 3/4" ZIN 1K03097 NUT		02
09	0503010232	5/8" X 1.3/4" BOLT		16
10	0501012140	FLAT WASHER 16,50 X 40 X 4,00 ZN		16
11	0503012412	5/8" UNC SELF LOCKING NUT		16



Item	Code	Description	See page	QT
01	0531052860	AGRICULTURAL BEARING	23	01
02	0502013013	SUPPORT CENTER		01
03	0503010762	SCREW 5/8 UNC X 3.1/2 CS G.5 ZN		02
04	0503010013	5/8" UNC G.5 ZN HEX NUT		02
05	0503010027	5/8 SPRING WASHER		02
06	0521067341	BEARING SWING COVER WITH ENHANCED		01
07	0503010834	1/2 X 1 BOLT		04
08	0503010019	1/2" SPRING WASHER		04



Item	Code	Description	See page	QT
01	0502010824	AXLE CM/DM		01
02	0502012343	AGRICULTURAL HOUSING BEARING		01
03	0502010823	SEAL RETAINER		02
04	0503030030	5.6" X 4.4" X 0.01" GASKET		02
05	0503030685	5.5" X 4.4" X 0.003" GASKET		01
06	0502020161	WEAR PLATE BEARING		01
07	0503010237	3/8" X 1" BOLT		06
08	0503011443	SPRING WASHER 3/8"		06
09	0502040141	OUTER FLANGE		01
10	0502040142	INNER FLANGE		01
11	0503030027	DUO-CONE SEAL		02
12	0503010104	3984/3920 ROLLER BEARING		02
13	3402301275	TATU OIL		00



MARCHESAN

Technical Publications | Elaboration and Revision

LEONARDO JOSÉ DA SILVA SOUZA

www.marchesan.com.br

