

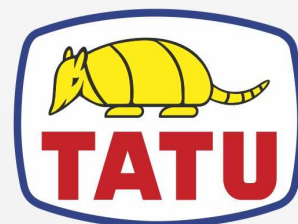
OFFSET DISK HARROW

**GAICR 16/18/20/22/24/26/28/30D - 1.5/8" AXLE -
DOUBLE CARRYING WHEEL**

**GAICR 16/18/20/22/24/26/28/30D - EIXO 1.5/8" -
RODADO DUPLO**

Code: 0501093684
Series: S-0923
Revision: 00
Revision Date: DECEMBER/2023

PARTS CATALOGUE



MARCHESAN



PRODUCTS

Code	Working Width	Description
0102260747		GAICR 16X26X6,00 DR DMO E 1.5/8 RD DUPLO S-0923
0102260752		GAICR 16X28X6,00 DR DMO E 1.5/8 RD DUPLO S-0923
0102260757		GAICR 16X28X7,50 DR DMO E 1.5/8 RD DUPLO S-0923
0102260748		GAICR 18X26X6,00 DR DMO E 1.5/8 RD DUPLO S-0923
0102260753		GAICR 18X28X6,00 DR DMO E 1.5/8 RD DUPLO S-0923
0102260758		GAICR 18X28X7,50 DR DMO E 1.5/8 RD DUPLO S-0923
0102260749		GAICR 20X26X6,00 DR DMO E 1.5/8 RD DUPLO S-0923
0102260754		GAICR 20X28X6,00 DR DMO E 1.5/8 RD DUPLO S-0923
0102260759		GAICR 20X28X7,50 DR DMO E 1.5/8 RD DUPLO S-0923
0102260807		GAICR 22X28X7,50 DR DMO E 1.5/8 RD DUPLO S-0923
0102260750		GAICR 24X26X6,00 DR DMO E 1.5/8 RD DUPLO S-0923
0102260755		GAICR 24X28X6,00 DR DMO E 1.5/8 RD DUPLO S-0923
0102260760		GAICR 24X28X7,50 DR DMO E 1.5/8 RD DUPLO S-0923
0102260810		GAICR 26X28X7,50 DR DMO E 1.5/8 RD DUPLO S-0923
0102260764		GAICR 28 DMO E 1.5/8 RD DUPLO S/DISCOS S-0923
0102260756		GAICR 28 X 28 X 6,0 DR DMO E 1.5/8 RD DUPLO S-0923
0102260751		GAICR 28X26X6,00 DR DMO E 1.5/8 RD DUPLO S-0923
0102260761		GAICR 28X28X7,50 DR DMO E 1.5/8 RD DUPLO S-0923
0102260803		GAICR 30X28X6,00 DR DMO E 1.5/8 RD DUPLO S-0923
0102260744		GAICR 30X28X7,50 DR DMO E 1.5/8 RD DUPLO S-0923
0102260780		GAICR 30X28X7,50 DR DMO E 1.5/8 RD DUPLO S-0923

ATTENTION: IMPORTANT

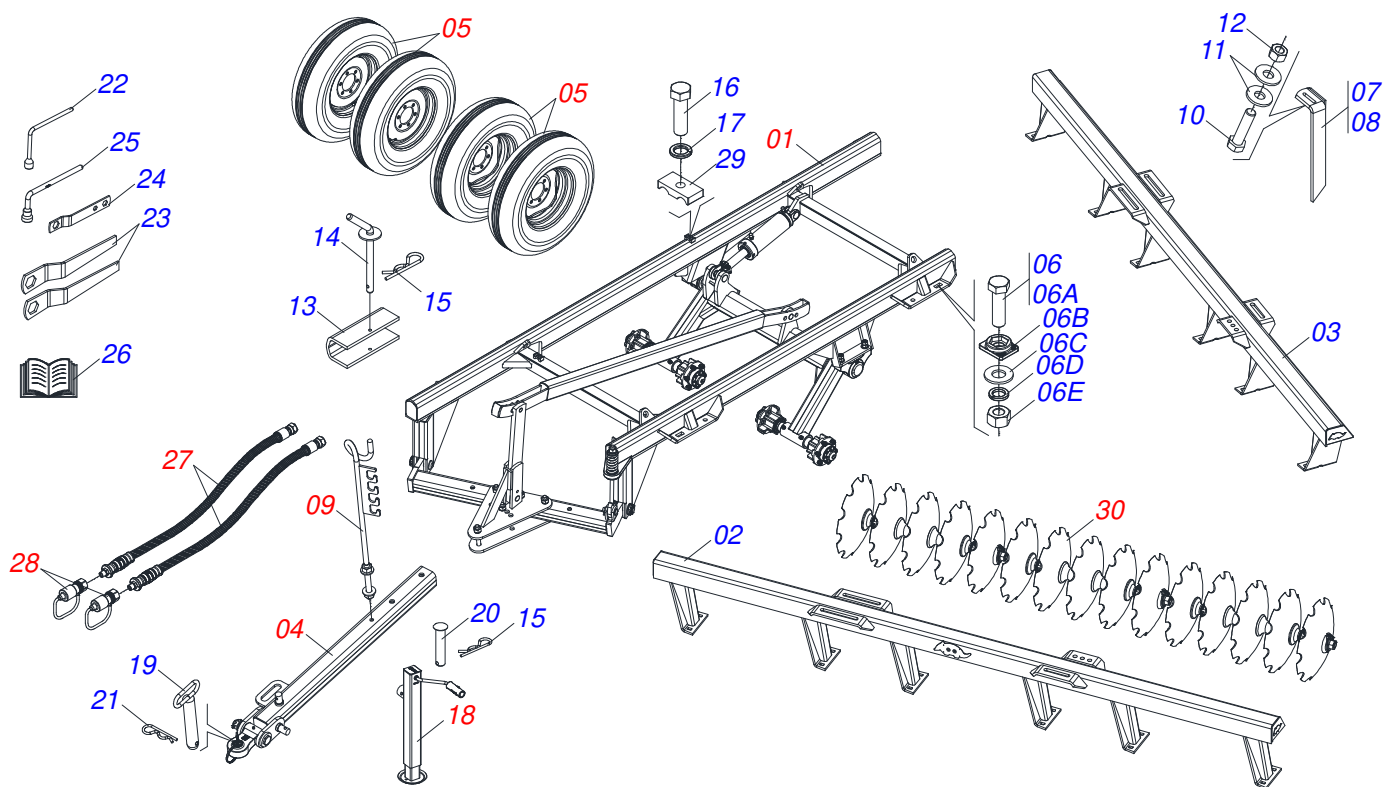
Marchesan S.A. reserves the right to improve and/or modify the technical features of its products, without obligation to do the same with those products already sold and without prior knowledge of the dealer or the customer. The photos are only illustrative.



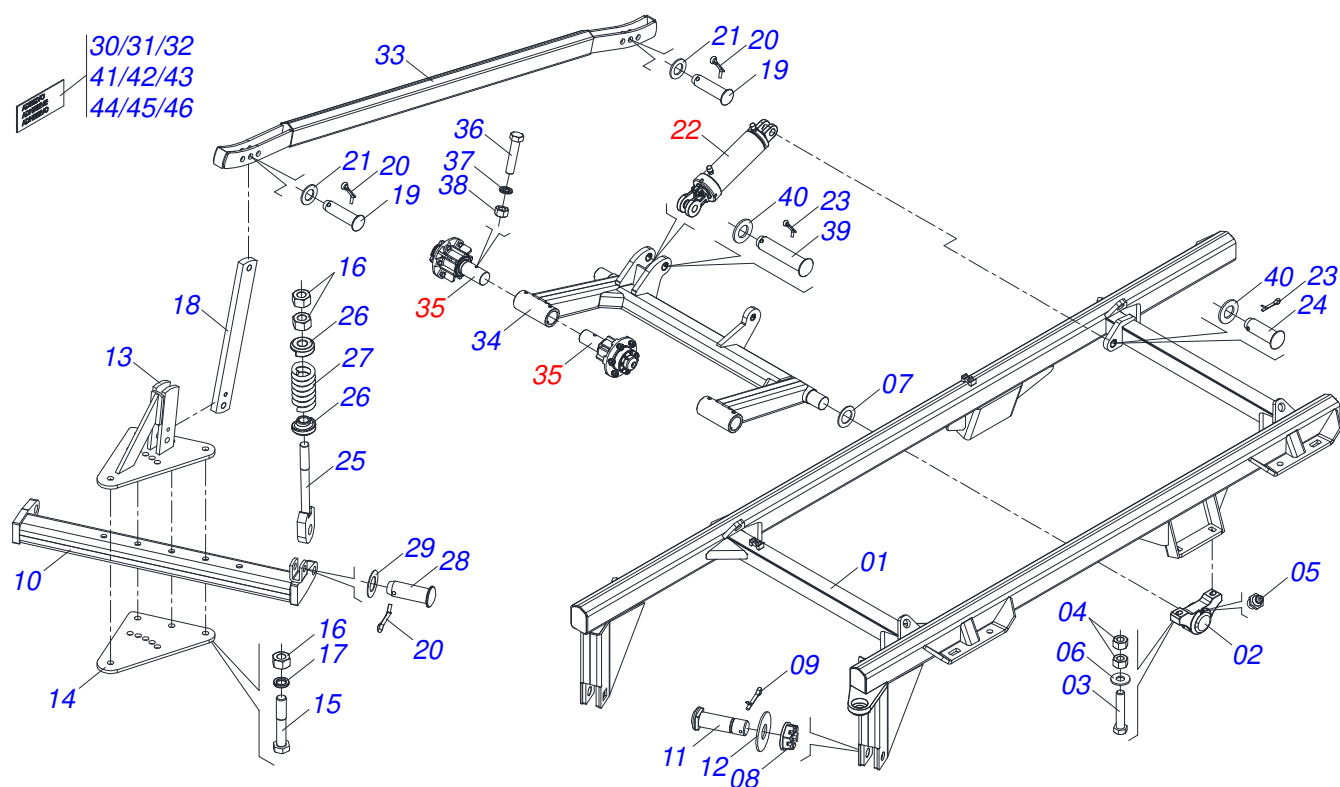
MARCHESAN

INDEX

0909096984	FRAME ASSY - 16/18/20/22/24/26/28/30D	1
0521042614	FRAME ASSY WITH DOUBLE CARRYING WHEEL - 16/18D	2
0521044471	FRAME ASSY WITH DOUBLE CARRYING WHEEL - 20/22/24/26/28D	3
0521044472	FRAME ASSY WITH DOUBLE CARRYING WHEEL - 30D	4
0511059180	HYDRAULIC CYLINDER 50,80 X 101,60 X 515 X 203	5
0501054931	STUB SHAFT & HUB	6
0501051142	CARRYING WHEEL HUB	7
0521048502	TRACTION BAR ASSY	8
0521057520	HITCH ASSY	9
0503060091	L 29.5" X 0.63"-10L WHEEL AND TIRE ASSY	10
0501040257	3/4" X 38" HOSE SUPPORT ASSY	11
0503062157	DRAWBAR JACK	12
0503011360	HOSE KIT	13
0501053834	MALE QUICK COUPLER	14
0909096985	DISC GANG - 16/18/20/22/24/26/28/30D	15
0511048375	DMO 262 X 1.5/8 AGRICULTURAL BEARING ASSY	16
0501059733	DMO 262 X 1.5/8 AGRICULTURAL BEARING	17



Item	Code	Description	See page	16	18	20	22	24	26	28	30
01	0521042614	FRAME ASSY WITH DOUBLE CARRYING WHEEL - 2 16/18D	2	01	01	00	00	00	00	00	00
01.	0521044471	FRAME ASSY WITH DOUBLE CARRYING WHEEL - 3 20/22/24/26/28D	3	00	00	01	01	01	01	01	00
01..	0521044472	FRAME ASSY WITH DOUBLE CARRYING WHEEL - 4 30D	4	00	00	00	00	00	00	00	01
02	0501065142	FRONT FRAME - 16D		01	00	00	00	00	00	00	00
02.	0501065144	FRONT FRAME - 18D		00	01	00	00	00	00	00	00
02..	0501065146	FRONT FRAME - 20D		00	00	01	00	00	00	00	00
02...	0501067272	FRONT FRAME - 22D		00	00	00	01	00	00	00	00
02....	0501065148	FRONT FRAME - 24/25D		00	00	00	00	01	00	00	00
02.....	0501069549	FRONT FRAME - 26D		00	00	00	00	00	01	00	00
02.....	0501065150	FRONT FRAME - 28/29D		00	00	00	00	00	00	01	00
02.....	0501067030	FRONT FRAME - 30D		00	00	00	00	00	00	00	01
03	0501065143	REAR FRAME - 16D		01	00	00	00	00	00	00	00
03.	0501065145	REAR FRAME - 18D		00	01	00	00	00	00	00	00
03..	0501065147	REAR FRAME - 20D		00	00	01	00	00	00	00	00
03...	0501067273	REAR FRAME - 22D		00	00	00	01	00	00	00	00
03....	0501065149	REAR FRAME - 24D		00	00	00	00	01	00	00	00
03.....	0501069550	REAR FRAME - 25/26D		00	00	00	00	00	01	00	00
03.....	0501065151	REAR FRAME - 28D		00	00	00	00	00	00	01	00
03.....	0501067031	REAR FRAME - 29/30D		00	00	00	00	00	00	00	01
04	0521048502	TRACTION BAR ASSY	8	01	01	01	01	01	01	01	01
05	0503060091	L 29.5" X 0.63"-10L WHEEL AND TIRE ASSY	10	04	04	04	04	04	04	04	04
06	0501040877	C1" X 3-1/4" BOLT ASSY		08	08	08	08	08	08	08	08
06A	0501010171	BOLT 1 UNC X 3.1/2 C S G.5		01	01	01	01	01	01	01	01
06B	0502012861	1" SQUARE WASHER		01	01	01	01	01	01	01	01
06C	0501010065	1" SPRING WASHER		01	01	01	01	01	01	01	01
06D	0503010012	1" SPRING WASHER		01	01	01	01	01	01	01	01
06E	0501010059	1.5/8 NUT		01	01	01	01	01	01	01	01
07	0501064168	FRONT SCRAPER		04	04	05	06	07	08	09	09
08	0501064167	REAR SCRAPER		04	04	05	06	07	08	09	09



Item	Code	Description	See page	QT
01	0501065574	FRAME		01
02	0501110856	ARTICULATION BEARING		02
03	0503010797	3/4" X 4" BOLT		04
04	0503010014	3/4" ZN G.5 (HEAVY) UNC HEX NUT		08
05	0503010002	1800 GREASE FITTING		02
06	0501010322	20,50 X 46 X 4,00 ZN FLAT WASHER		04
07	0501017579	FLAT WASHER		02
08	0501011301	1.1/2" UNC 6FPP 2.5/16" NUT		02
09	0503010010	SPLIT PIN 1/4" X 2.1/2"		02
10	0501066262	OFFSET BAR		01
11	0521017538	11-1/2" X 5" COUPLING SHAFT		02
12	0511019880	FLAT WASHER		02
13	0501066235	UPPER PLATE WITH SUPPORT		01
14	0511013000	UPPER /LOWER PLATE		01
15	0501010334	1" X 7" BOLT		05
16	0501010059	1.5/8 NUT		07
17	0503011438	SPRING WASHER		05
18	0511012972	STABILIZER BAR TOWER		01
19	0521010576	0.9" X 3.7" COUPLING SHAFT		03
20	0503010571	1/4" X 1.1/2" SPLIT PIN		04
21	0501011445	FLAT WASHER		03
22	0511059180	HYDRAULIC CYLINDER 50,80 X 101,60 X 515 X 203	5	01
23	0503010523	1/4" X 2" SPLIT PIN		02
24	0521010779	31.75 X 95 COUPLING SHAFT		01
25	0501064698	SPRING ROD		01
26	1902020392	SPRING SUPPORT		02
27	0503030441	12.7" X 5.7" X 0.5" SPRING		01
28	0521010592	1.1" X 3.1" COUPLING SHAFT		01
29	0561011883	FLAT WASHER		01
30	0503031827	LUBRICATE AND RETIGHTEN DAILY DECAL		01
31	0503031428	READ MANUAL DECAL		01
32	0503031087	AUTO CONTROL APPROVED DECAL		01

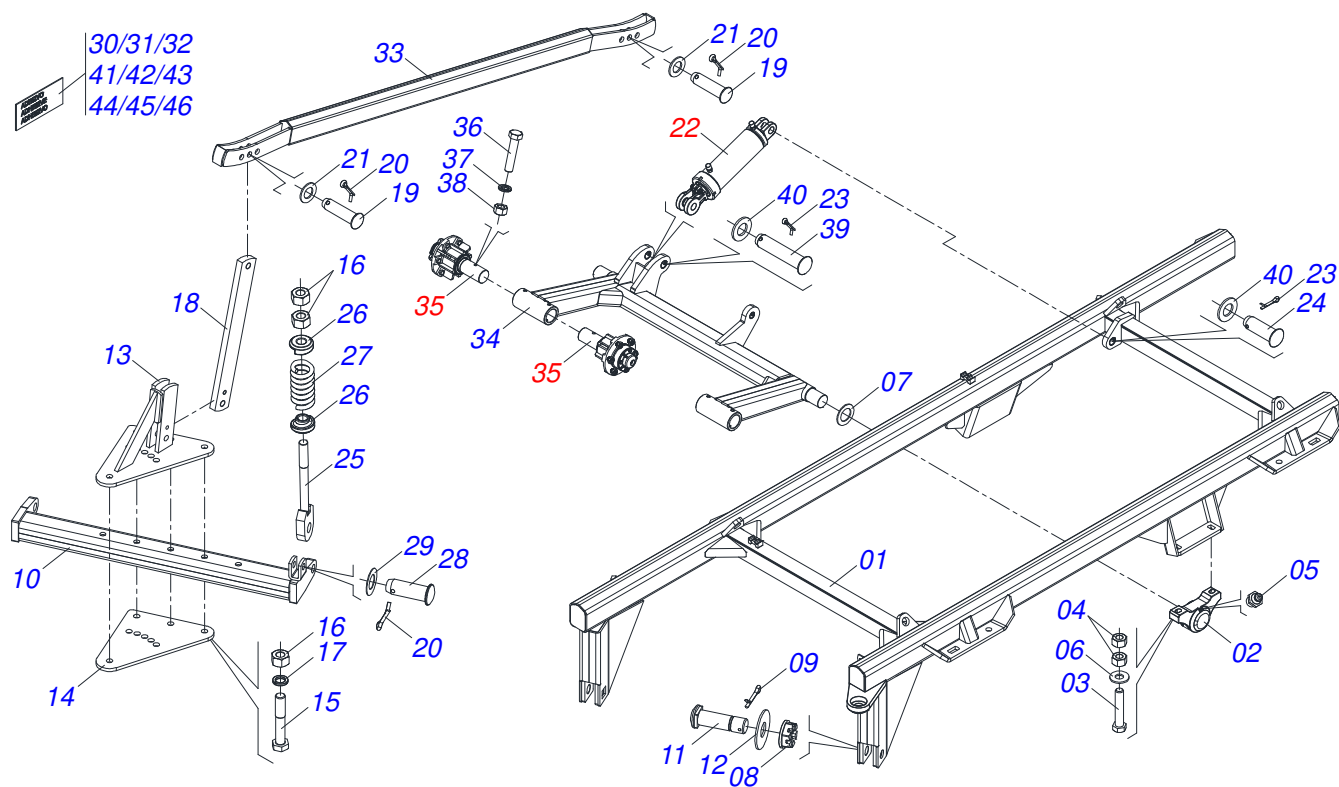


**GAICR 16/18/20/22/24/26/28/30D - 1.5/8" AXLE - DOUBLE
FRAME ASSY WITH DOUBLE CARRYING WHEEL - 16/18D**

Page 2

0521042614

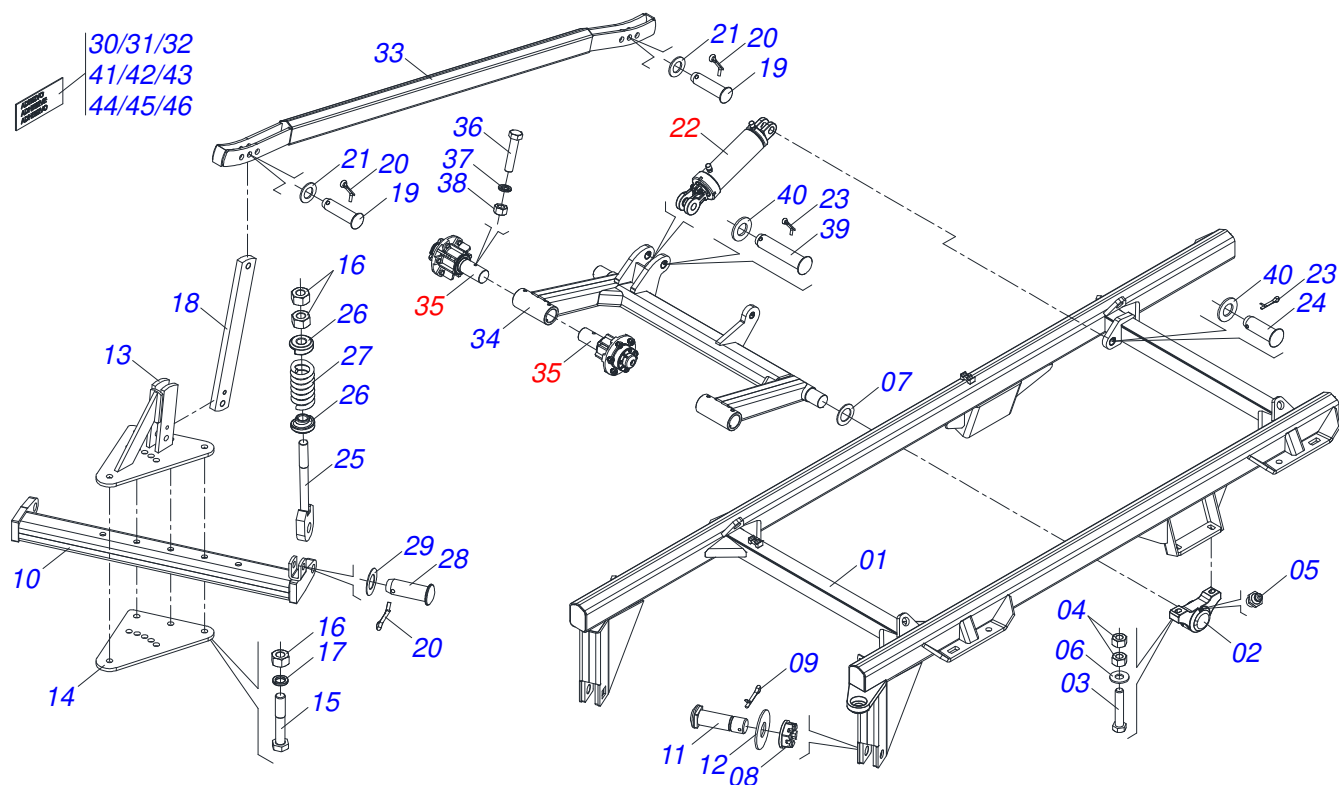
Item	Code	Description	See page	QT
33	0511066932	STABILIZER BAR		01
34	0511065084	CARRYING-WHEELS SUPPORT		01
35	0501054931	STUB SHAFT & HUB	6	04
36	0503010547	1/2" X 4" BOLT		04
37	0503011440	SPRING WASHER		04
38	0503010060	1/2 UNC G.5 ZN HEX NUT		04
39	0511010174	1.2" X 5.9" COUPLING SHAFT		01
40	0501017779	FLAT WASHER 32 X 60 X 4,75		02
41	0503060787	GAICR DECAL SET		01
42	0503034499	HOSE IDENTIFICATION DECAL		01
43	0503034078	LIFTING POINTS DECAL		04
44	0503033038	DANGER DECAL		01
45	0503031738	WARNING DECAL		01
46	0503031739	DANGER DECAL		01



Item	Code	Description	See page	QT
01	0501064754	FRAME		01
02	0501110856	ARTICULATION BEARING		02
03	0503010797	3/4" X 4" BOLT		04
04	0503010014	3/4" ZN G.5 (HEAVY) UNC HEX NUT		08
05	0503010002	1800 GREASE FITTING		02
06	0501010322	20,50 X 46 X 4,00 ZN FLAT WASHER		04
07	0501017579	FLAT WASHER		02
08	0501011301	1.1/2" UNC 6FPP 2.5/16" NUT		02
09	0503010010	SPLIT PIN 1/4" X 2.1/2"		02
10	0501066262	OFFSET BAR		01
11	0521017538	11-1/2" X 5" COUPLING SHAFT		02
12	0511019880	FLAT WASHER		02
13	0501066235	UPPER PLATE WITH SUPPORT		01
14	0511013000	UPPER /LOWER PLATE		01
15	0501010334	1" X 7" BOLT		05
16	0501010059	1.5/8 NUT		07
17	0503011438	SPRING WASHER		05
18	0511012972	STABILIZER BAR TOWER		01
19	0521010576	0.9" X 3.7" COUPLING SHAFT		03
20	0503010571	1/4" X 1.1/2" SPLIT PIN		04
21	0501011445	FLAT WASHER		03
22	0511059180	HYDRAULIC CYLINDER 50,80 X 101,60 X 515 X 203	5	01
23	0503010523	1/4" X 2" SPLIT PIN		02
24	0521010779	31.75 X 95 COUPLING SHAFT		01
25	0501064698	SPRING ROD		01
26	1902020392	SPRING SUPPORT		02
27	0503030441	12.7" X 5.7" X 0.5" SPRING		01
28	0521010592	1.1" X 3.1" COUPLING SHAFT		01
29	0561011883	FLAT WASHER		01
30	0503031827	LUBRICATE AND RETIGHTEN DAILY DECAL		01
31	0503031428	READ MANUAL DECAL		01
32	0503031087	AUTO CONTROL APPROVED DECAL		01



Item	Code	Description	See page	QT
33	0511066932	STABILIZER BAR		01
34	0511065084	CARRYING-WHEELS SUPPORT		01
35	0501054931	STUB SHAFT & HUB	6	04
36	0503010547	1/2" X 4" BOLT		04
37	0503011440	SPRING WASHER		04
38	0503010060	1/2 UNC G.5 ZN HEX NUT		04
39	0511010174	1.2" X 5.9" COUPLING SHAFT		01
40	0501017779	FLAT WASHER 32 X 60 X 4,75		02
41	0503060787	GAICR DECAL SET		01
42	0503034499	HOSE IDENTIFICATION DECAL		01
43	0503034078	LIFTING POINTS DECAL		04
44	0503033038	DANGER DECAL		01
45	0503031738	WARNING DECAL		01
46	0503031739	DANGER DECAL		01

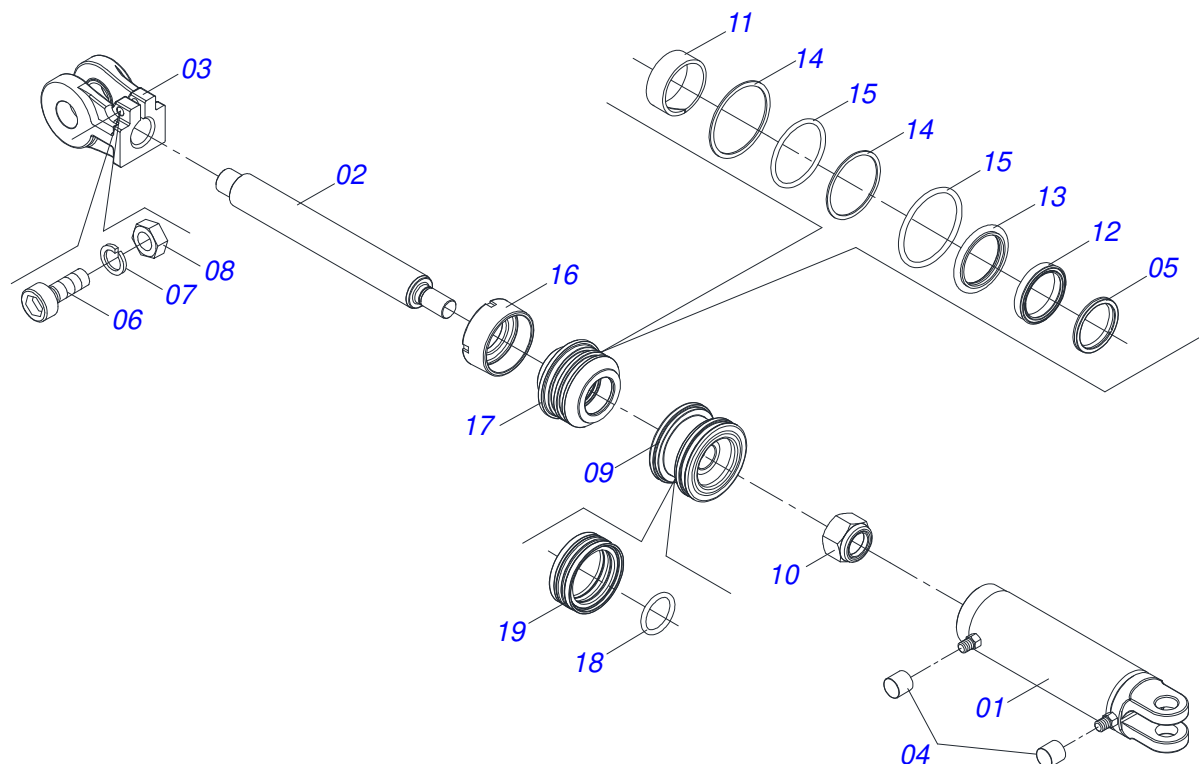


Item	Code	Description	See page	QT
01	0501064754	FRAME		01
02	0501110856	ARTICULATION BEARING		02
03	0503010797	3/4" X 4" BOLT		04
04	0503010014	3/4" ZN G.5 (HEAVY) UNC HEX NUT		08
05	0503010002	1800 GREASE FITTING		02
06	0501010322	20,50 X 46 X 4,00 ZN FLAT WASHER		04
07	0501017579	FLAT WASHER		02
08	0501011301	1.1/2" UNC 6FPP 2.5/16" NUT		02
09	0503010010	SPLIT PIN 1/4" X 2.1/2"		02
10	0501066262	OFFSET BAR		01
11	0521017538	11-1/2" X 5" COUPLING SHAFT		02
12	0511019880	FLAT WASHER		02
13	0501066235	UPPER PLATE WITH SUPPORT		01
14	0511013000	UPPER /LOWER PLATE		01
15	0501010334	1" X 7" BOLT		05
16	0501010059	1.5/8 NUT		07
17	0503011438	SPRING WASHER		05
18	0511012972	STABILIZER BAR TOWER		01
19	0521010576	0.9" X 3.7" COUPLING SHAFT		03
20	0503010571	1/4" X 1.1/2" SPLIT PIN		04
21	0501011445	FLAT WASHER		03
22	0511059180	HYDRAULIC CYLINDER 50,80 X 101,60 X 515 X 203	5	01
23	0503010523	1/4" X 2" SPLIT PIN		02
24	0521010779	31.75 X 95 COUPLING SHAFT		01
25	0501064698	SPRING ROD		01
26	1902020392	SPRING SUPPORT		02
27	0503030441	12.7" X 5.7" X 0.5" SPRING		01
28	0521010592	1.1" X 3.1" COUPLING SHAFT		01
29	0561011883	FLAT WASHER		01
30	0503031827	LUBRICATE AND RETIGHTEN DAILY DECAL		01
31	0503031428	READ MANUAL DECAL		01
32	0503031087	AUTO CONTROL APPROVED DECAL		01

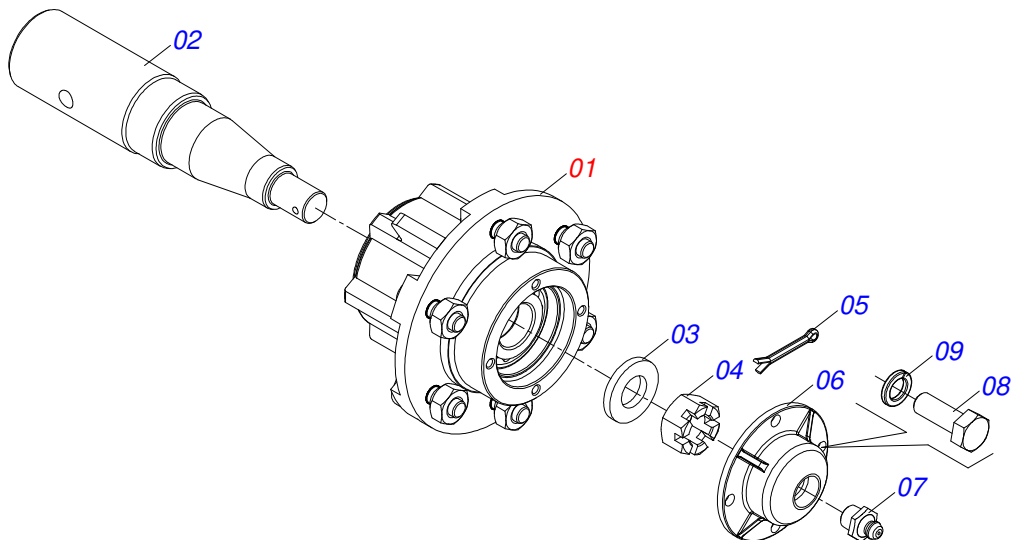


**GAICR 16/18/20/22/24/26/28/30D - 1.5/8" AXLE - DOUBLE
FRAME ASSY WITH DOUBLE CARRYING WHEEL - 30D**

Item	Code	Description	See page	QT
33	0511066932	STABILIZER BAR		01
34	0511065084	CARRYING-WHEELS SUPPORT		01
35	0501054931	STUB SHAFT & HUB	6	04
36	0503010547	1/2" X 4" BOLT		04
37	0503011440	SPRING WASHER		04
38	0503010060	1/2 UNC G.5 ZN HEX NUT		04
39	0511010174	1.2" X 5.9" COUPLING SHAFT		01
40	0501017779	FLAT WASHER 32 X 60 X 4,75		02
41	0503060824	GAICR 300 DECAL ASSY		01
42	0503034499	HOSE IDENTIFICATION DECAL		01
43	0503034078	LIFTING POINTS DECAL		04
44	0503033038	DANGER DECAL		01
45	0503031738	WARNING DECAL		01
46	0503031739	DANGER DECAL		01

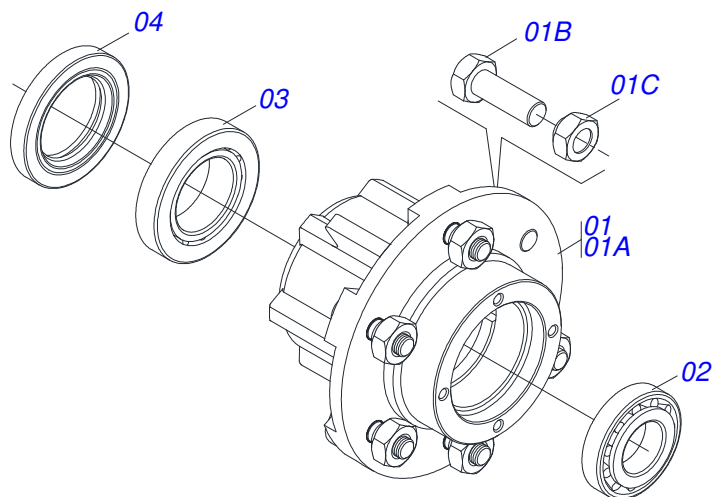


Item	Code	Description	See page	QT
01	0511070658	CYLINDER CASE		01
02	0571019958	HYDRAULIC CYLINDER TURNBUCKLE		01
03	0502040747	32.54 CLEVIS CLAMP		01
04	0503030385	CYLINDER PLUG N-002		02
05	0503010039	D-2000 SCRAPER RING		01
06	0503011094	BOLT 3/8" UNC X 2" C C S I 12.9		01
07	0503011443	SPRING WASHER 3/8"		01
08	0503010026	3/8" NUT		01
09	0502012820	2" X 4" PISTON		01
10	0503010817	SELF LOCKING NUT 1.1/4 UNF ALTA G.5 ZN		01
11	0503018025	RING GUIDE W2-2250-750		01
12	0503018026	GASKET 1870-2000-375 B POLYMAX		01
13	0503018024	RING BS OD050805200171D-BR		01
14	0503010338	2-342 N 3006-9B O'RING		02
15	0503011061	8-342 BACK-UP RING		02
16	0502012822	END CAP 4"		01
17	0502012821	2" X 4" RING SUPPORT		01
18	0503018029	O'RING 2-217 N 3006 90B		01
19	0503015633	SELEMASTER SEALING		01



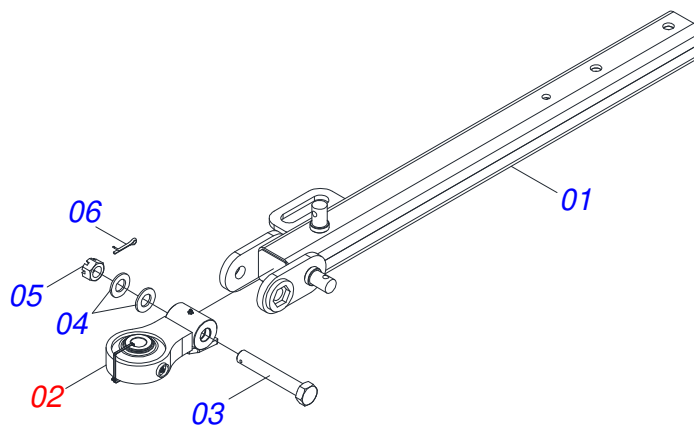
Item	Code	Description	See page	QT
01	0501051142	CARRYING WHEEL HUB	7	01
02	0541010739	2.5" X 12.2" AXLE		01
03	0501016545	FLAT WASHER		01
04	0503030009	1" CASTLE NUT		01
05	0503010018	5/32" X 1-1/2" SPLIT PIN		01
06	0502020591	PROTECCION COVER		01
07	0503010002	1800 GREASE FITTING		01
08	0503010358	5/16" X 5/8" BOLT		04
09	0503011444	SPRING WASHER 5/16"		04

CARRYING WHEEL HUB



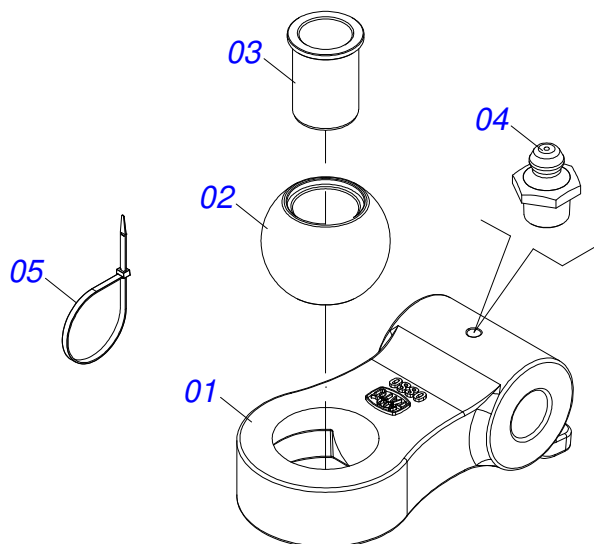
Item	Code	Description	See page	QT
01	0501110728	WHEEL HUB		01
01A	0502011121	CARRYING WHEEL HUB		01
01B	0501010127	9/16" X 1-7/8" LUG BOLT		06
01C	0503010035	9/16" CONIC NUT		06
02	0503010037	30207 ROLLER BEARING		01
03	0503010006	32210 ROLLER BEARING		01
04	0503012928	SEAL		01

TRACTION BAR ASSY

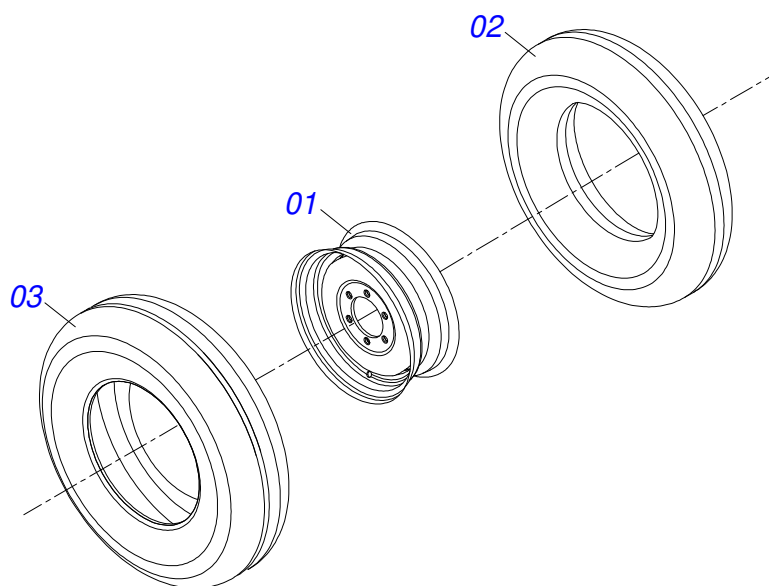


Item	Code	Description	See page	QT
01	0521069165	DRAWBAR		01
02	0521057520	HITCH ASSY	9	01
03	0581015973	1.1/4 UNC X 8 C S G5 SCREW		01
04	0501017779	FLAT WASHER 32 X 60 X 4,75		02
05	0503013026	1.1/4" CASTLE NUT		01
06	0503010010	SPLIT PIN 1/4" X 2.1/2"		01

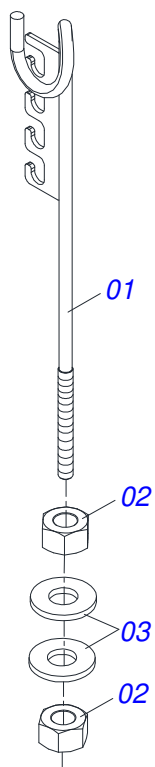
HITCH ASSY



Item	Code	Description	See page	QT
01	0502040880	HITCH BODY		01
02	0502040885	BODY ATTACHMENT		01
03	0591012511	SLEEVE		01
04	0503010002	1800 GREASE FITTING		01
05	0503018829	NYLON CLAMP 7,8 X 1,8 X 390 MM		01

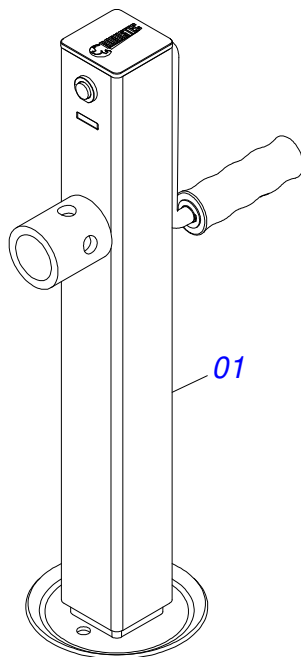


Item	Code	Description	See page	QT
01	0503010893	WHEEL		01
02	0503010033	7.50 X 16 INNER TIRE		01
03	0503010120	CANVAS TIRE		01

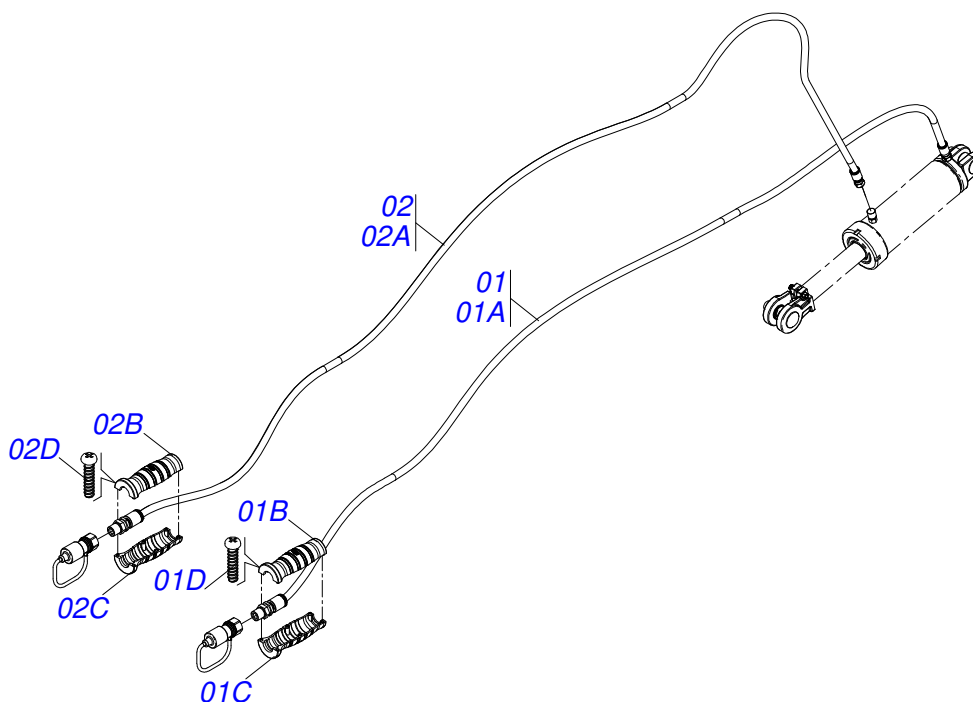


Item	Code	Description	See page	QT
01	0511067334	HOSE SUPPORT		01
02	0503010014	3/4" ZN G.5 (HEAVY) UNC HEX NUT		02
03	0501010322	20,50 X 46 X 4,00 ZN FLAT WASHER		02

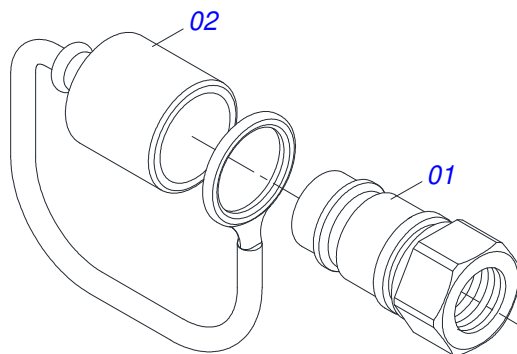
DRAWBAR JACK



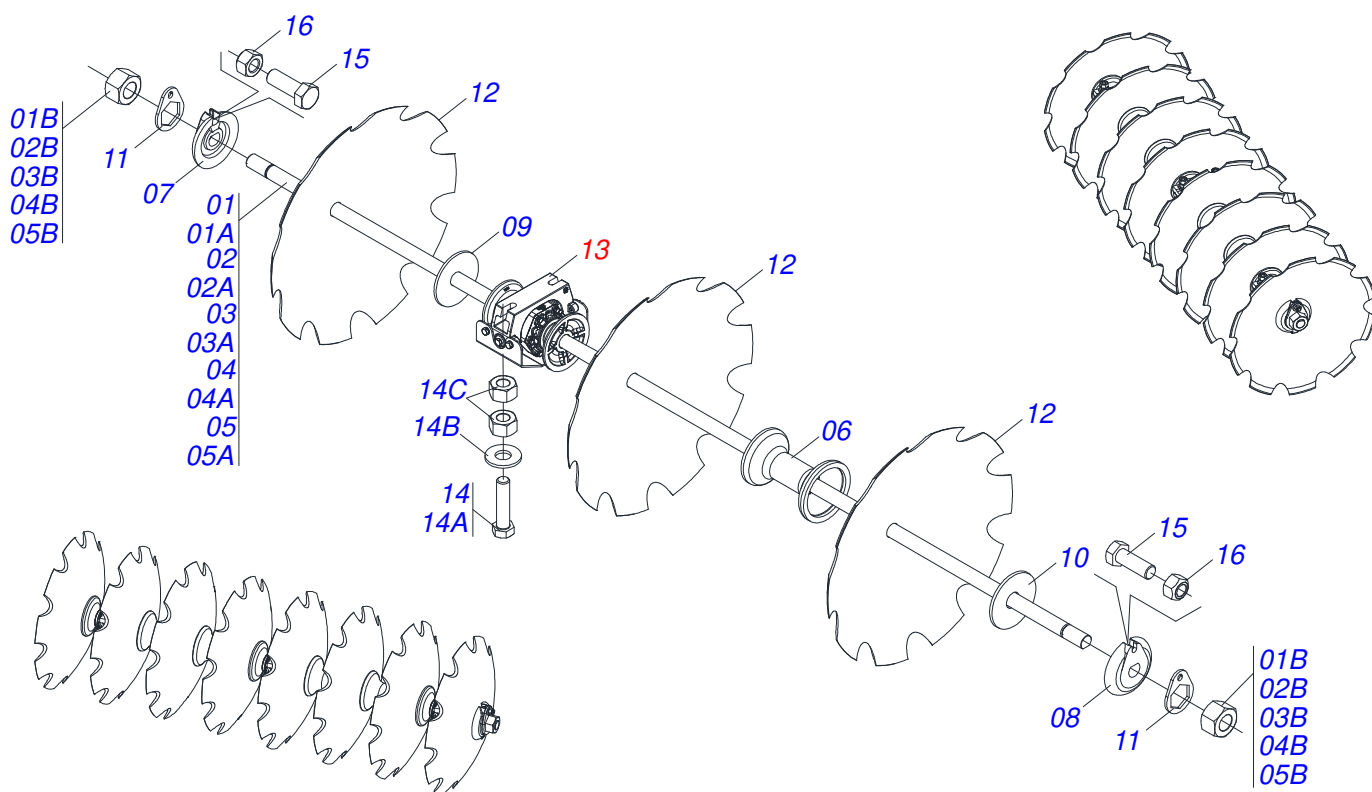
Item	Code	Description	See page	QT
01	0503062157	DRAWBAR JACK	12	01



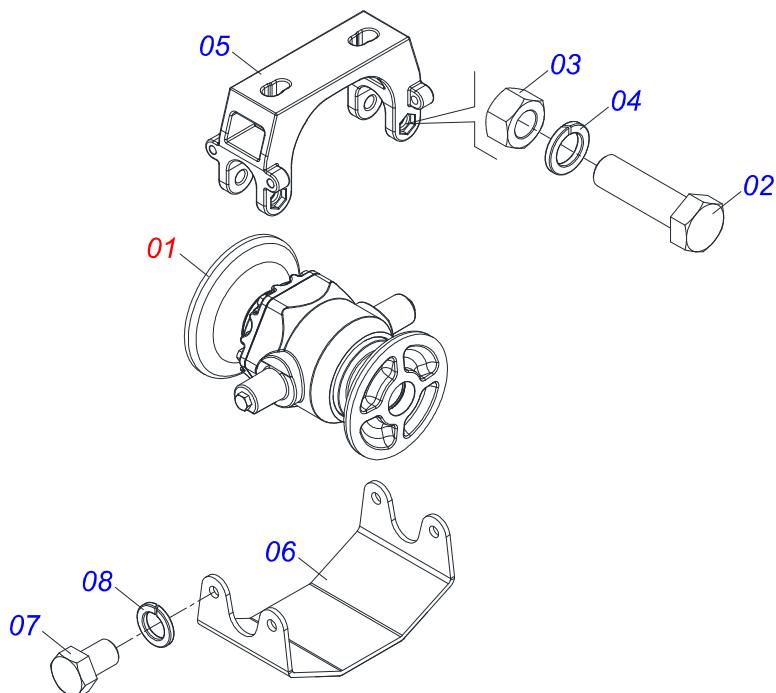
Item	Code	Description	See page	QT
01	0521056233	3/8" X 236.22" TR-TM BLACK/RED HOSE		01
01A	0501080443	3/8" X 236.22" TR-TM HOSE		01
01B	0503034495	HYDRAULIC HOSE GRIP (RED)		01
01C	0503034492	HYDRAULIC HOSE GRIP (BLACK)		01
01D	0503018952	PH 2,5 X 10 ZB PLASTIC BOLT		06
02	0521055893	3/8" X 230" TR-TM BLACK/BLUE HOSE		01
02A	0501080421	3/8" X 230" TR-TM HOSE		01
02B	0503034492	HYDRAULIC HOSE GRIP (BLACK)		01
02C	0503034494	HYDRAULIC HOSE GRIP (BLUE)		01
02D	0503018952	PH 2,5 X 10 ZB PLASTIC BOLT		06



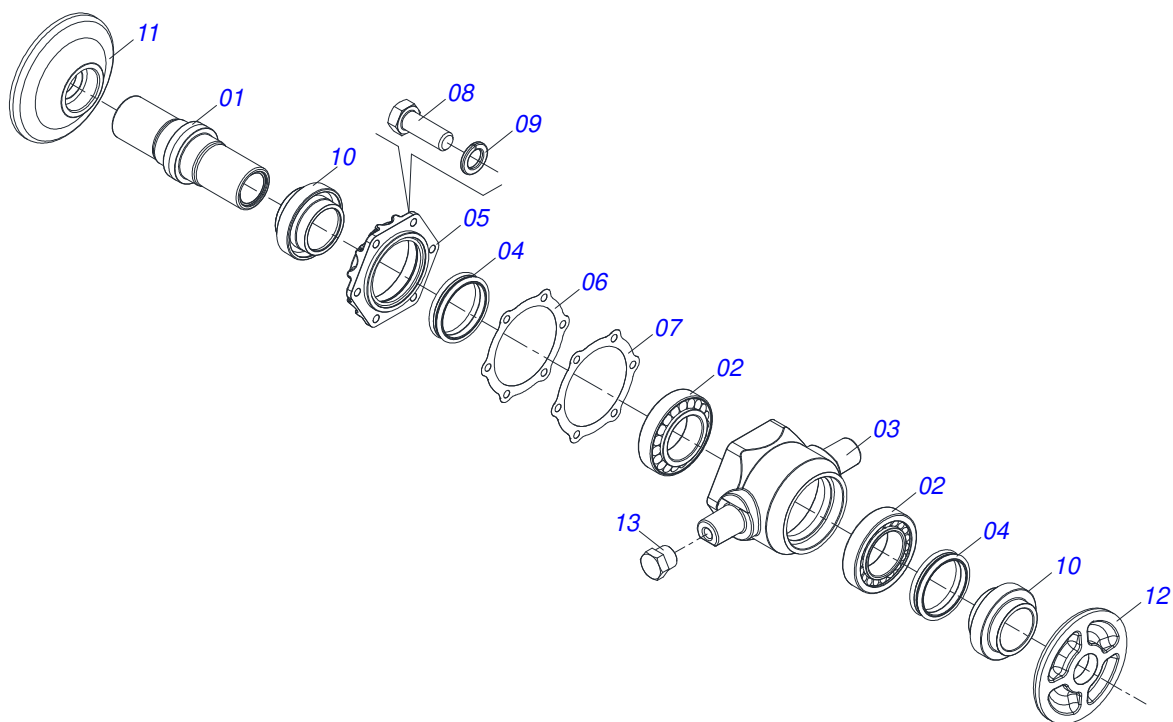
Item	Code	Description	See page	QT
01	0503011627	MALE QUICK COUPLER AGR 1/2 NPT		01
02	0503011882	MALE QUICK COUPLER CAP		01



Item	Code	Description	See page	16	18	20	22	24	26	28	30
01	0501046861	1-5/8" X 80" AXLE WITH NUTS 2-3/4"		02	00	00	00	00	00	00	00
01A	0501019015	1-5/8 X 80" AXLE		02	00	00	00	00	00	00	00
01B	0502040640	1.5/8" 2.3/4" NUT		04	00	00	00	00	00	00	00
02	0501046854	1-5/8" X 48" AXLE WITH NUTS 2-3/4"		00	02	04	02	00	00	00	06
02A	0501019016	1-5/8 X 48" AXLE		00	02	04	02	00	00	00	06
02B	0502040640	1.5/8" 2.3/4" NUT		00	04	08	04	00	00	00	12
03	0501046811	1-5/8" X 38" AXLE WITH NUTS 2-3/4"		00	02	00	00	00	00	00	00
03A	0501019013	1-5/8" X 38" AXLE		00	02	00	00	00	00	00	00
03B	0502040640	1.5/8" 2.3/4" NUT		00	04	00	00	00	00	00	00
04	0501046856	1-5/8" X 59" AXLE WITH NUTS 2-3/4"		00	00	00	02	04	02	00	06
04A	0501019012	1-5/8" X 59" AXLE		00	00	00	02	04	02	00	06
04B	0502040640	1.5/8" 2.3/4" NUT		00	00	00	04	08	04	00	12
05	0501046859	1-5/8" X 70" AXLE WITH NUTS 2-3/4"		00	00	00	00	00	02	02	04
05A	0501015631	1-5/8" X 70" AXLE		00	00	00	00	00	02	02	04
05B	0502040640	1.5/8" 2.3/4" NUT		00	00	00	00	00	04	04	08
06	0502010703	10.35" 1-5/8" SPACER		08	08	08	08	08	08	08	12
07	0502011048	1-5/8" EXTERNAL AXLE WASHER		02	02	02	02	02	02	02	02
08	0502011047	1-5/8" INNER AXLE WASHER		02	02	02	02	02	02	02	02
09	0561016730	CONCAVE WASHER		02	02	02	02	02	02	02	02
10	0561016731	CONVEX WASHER		02	02	02	02	02	02	02	02
11	0511014339	1-5/8" 2.8" NUT LOCK		04	04	04	04	04	04	04	04
12	0602033005	DR 26 X 6,00 C90AF04FR1.11/16 10R		16	18	20	00	24	00	28	00
12.	0602037004	DR 28 X 6,00 C102AF04FR1.11/16 10R		16	18	20	00	24	00	28	30
12..	0602037006	DR 28 X 7,50 C102AF04FR1.11/16 10R		16	18	20	22	24	26	28	30
13	0511048375	DMO 262 X 1.5/8 AGRICULTURAL BEARING ASSY	16	06	06	08	08	08	08	08	12
14	0521047424	SCREW ASSY		12	12	16	16	16	16	16	16
14A	0501010500	3/4" X 3" BOLT		01	01	01	01	01	01	01	01
14B	0501010322	20,50 X 46 X 4,00 ZN FLAT WASHER		01	01	01	01	01	01	01	01
14C	0503012183	SNC 3/4" ZIN 1K03097 NUT		02	02	02	02	02	02	02	02
15	0503010232	5/8" X 1.3/4" BOLT		04	08	08	08	08	08	08	00
15.	0503011267	BOLT 5/8" UNC X 1.1/2 C S G.5 ZN		00	00	00	00	00	00	00	12
16	0503012412	5/8" UNC SELF LOCKING NUT		04	08	08	08	08	08	08	12



Item	Code	Description	See page	QT
01	0501059733	DMO 262 X 1.5/8 AGRICULTURAL BEARING	17	01
02	0503010762	SCREW 5/8 UNC X 3.1/2 CS G.5 ZN		02
03	0503010013	5/8 UNC G.5 ZN HEX NUT		02
04	0503010027	5/8 SPRING WASHER		02
05	0502012626	CENTER OSCILLATING BEARING SUPPORT		01
06	0501213922	BEARING LID		01
07	0503010834	1/2 X 1 BOLT		04
08	0503010019	1/2" SPRING WASHER		04



Item	Code	Description	See page	QT
01	0502010900	BEARING AXLE		01
02	0503010005	32212 ROLLER BEARING		02
03	0502020691	BEARING HUB		01
04	0503030027	DUO-CONE SEAL		02
05	0502020161	WEAR PLATE BEARING		01
06	0503030030	5.6" X 4.4" X 0.01" GASKET		02
07	0503030685	5.5" X 4.4" X 0.003" GASKET		01
08	0503010237	3/8" X 1" BOLT		06
09	0503011443	SPRING WASHER 3/8"		06
10	0502010735	SEAL RETAINER		02
11	0502040239	OUTER FLANGE		01
12	0502040240	INNER FLANGE		01
13	0503010856	OIL PLUG R 3/8 BSPT		02



MARCHESAN

Technical Publications | Elaboration and Revision

LEONARDO JOSÉ DA SILVA SOUZA

www.marchesan.com.br

