

**OFFSET DISK HARROW**

**GAICR 12/14/16/18/20/22/24/25/26/28/29/30/  
32/36/40D - 1.5/8 AXLE**

**Code:** 0501093682  
**Series:** S-0923  
**Revision:** 00  
**Revision Date:** OCTOBER/2023

# **PARTS CATALOGUE**



**MARCHESAN**



# PRODUCTS

Code	Description
0102260745C	GAICR 12 X 26 X 6,00 DR DMO E 1.5/8 EXP S-0923
0102260745	GAICR 12 X 26 X 6,00 DR DMO E 1.5/8 S-0923
0102260742	GAICR 12 X 28 X 6,00 DR DMO E 1.5/8 S-0923
0102260738	GAICR 12 X 28 X 7,50 DR DMO E 1.5/8 S-0923
0102260719C	GAICR 14 X 26 X 6,00 DR DMO E 1.5/8 EXP S-0923
0102260719	GAICR 14 X 26 X 6,00 DR DMO E 1.5/8 S-0923
0102260776	GAICR 14 X 28 X 6,00 DR DMO E 1.5/8 RDF S-0923
0102260732	GAICR 14 X 28 X 6,00 DR DMO E 1.5/8 S-0923
0102260720C	GAICR 14 X 28 X 7,50 DR DMO E 1.5/8 EXP S-0923
0102260774	GAICR 14 X 28 X 7,50 DR DMO E 1.5/8 RDF S-0923
0102260720	GAICR 14 X 28 X 7,50 DR DMO E 1.5/8 S-0923
0102260773	GAICR 16 X 24 X 4,75 DR DMO E 1.5/8 S-0923
0102260721C	GAICR 16 X 26 X 6,00 DR DMO E 1.5/8 EXP S-0923
0102260721	GAICR 16 X 26 X 6,00 DR DMO E 1.5/8 S-0923
0102260765	GAICR 16 X 26 X 6,00 DR DMO E 1.5/8 TERR S-0923
0102260717	GAICR 16 X 26 X 6,00 DRC DMO E 1.5/8 S-0923
0102260733C	GAICR 16 X 28 X 6,00 DR DMO E 1.5/8 EXP S-0923
0102260777	GAICR 16 X 28 X 6,00 DR DMO E 1.5/8 RDF S-0923
0102260733	GAICR 16 X 28 X 6,00 DR DMO E 1.5/8 S-0923
0102260786	GAICR 16 X 28 X 6,00 DR DMO E 1.5/8 S/PNEU S-0923
0102260722C	GAICR 16 X 28 X 7,50 DR DMO E 1.5/8 EXP S-0923
0102260775	GAICR 16 X 28 X 7,50 DR DMO E 1.5/8 RDF S-0923
0102260722	GAICR 16 X 28 X 7,50 DR DMO E 1.5/8 S-0923
0102260766	GAICR 16 X 28 X 7,50 DR DMO E 1.5/8 TERR S-0923
0102260723C	GAICR 18 X 26 X 6,00 DR DMO E 1.5/8 EXP S-0923
0102260723	GAICR 18 X 26 X 6,00 DR DMO E 1.5/8 S-0923
0102260734C	GAICR 18 X 28 X 6,00 DR DMO E 1.5/8 EXP S-0923
0102260800	GAICR 18 X 28 X 6,00 DR DMO E 1.5/8 PN11L15 S-0923
0102260734	GAICR 18 X 28 X 6,00 DR DMO E 1.5/8 S-0923
0102260724C	GAICR 18 X 28 X 7,50 DR DMO E 1.5/8 EXP S-0923

## ATTENTION: IMPORTANT

Marchesan S.A. reserves the right to improve and/or modify the technical features of its products, without obligation to do the same with those products already sold and without prior knowledge of the dealer or the customer. The photos are only illustrative.



# PRODUCTS

0102260724	GAICR 18 X 28 X 7,50 DR DMO E 1.5/8 S-0923
0102260767	GAICR 18 X 28 X 7,50 DR DMO E 1.5/8 TERR S-0923
0102260804	GAICR 18X28X7,5 DR DMO E 1.5/8 PN 11L15 S-0923
0102260785	GAICR 18X28X7,50 DR DMO E 1.5/8 C/LIMP PA S-0923
0102260725C	GAICR 20 X 26 X 6,00 DR DMO E 1.5/8 EXP S-0923
0102260725	GAICR 20 X 26 X 6,00 DR DMO E 1.5/8 S-0923
0102260735C	GAICR 20 X 28 X 6,00 DR DMO E 1.5/8 EXP S-0923
0102260735	GAICR 20 X 28 X 6,00 DR DMO E 1.5/8 S-0923
0102260726C	GAICR 20 X 28 X 7,5 DR DMO E 1.5/8 EXP S-0923
0102260763	GAICR 20 X 28 X 7,50 DR DMO E 1.5/8 PN11L15 S-0923
0102260726	GAICR 20 X 28 X 7,50 DR DMO E 1.5/8 S-0923
0102260768	GAICR 20 X 28 X 7,50 DR DMO E 1.5/8 TERR S-0923
0102260797	GAICR 22 X 26 X 6,0 DR DMO E 1.5/8 S-0923
0102260741C	GAICR 22 X 28 X 6,00 DR DMO E 1.5/8 EXP S-0923
0102260741	GAICR 22 X 28 X 6,00 DR DMO E 1.5/8 S-0923
0102260743C	GAICR 22 X 28 X 7,50 DR DMO E 1.5/8 EXP S-0923
0102260743	GAICR 22 X 28 X 7,50 DR DMO E 1.5/8 S-0923
0102260772	GAICR 24 SEM DISCOS DMO E 1.5/8 S-0923
0102260727C	GAICR 24 X 26 X 6,00 DR DMO E 1.5/8 EXP S-0923
0102260727	GAICR 24 X 26 X 6,00 DR DMO E 1.5/8 S-0923
0102260736C	GAICR 24 X 28 X 6,00 DR DMO E 1.5/8 EXP S-0923
0102260806	GAICR 24 X 28 X 6,00 DR DMO E 1.5/8 PN11L15 S-0923
0102260736	GAICR 24 X 28 X 6,00 DR DMO E 1.5/8 S-0923
0102260808	GAICR 24 X 28 X 7,5 DR DMO E 1.5/8 PN11L15 S-0923
0102260771	GAICR 24 X 28 X 7,50 DL DMO E 1.5/8 S-0923
0102260728C	GAICR 24 X 28 X 7,50 DR DMO E 1.5/8 EXP S-0923
0102260728	GAICR 24 X 28 X 7,50 DR DMO E 1.5/8 S-0923
0102260779	GAICR 24 X 28 X 7,50 DR DMO E 1.5/8 S/RODA S-0923
0102260769	GAICR 24 X 28 X 7,50 DR DMO E 1.5/8 TERR S-0923
0102260788	GAICR 24X26X6,0 DR DMO E 1.5/8 PN11L15 S-0923
0102260781	GAICR 25 X 26 X 6,00 DR DMO E 1.5/8 S-0923

## ATTENTION: IMPORTANT

Marchesan S.A. reserves the right to improve and/or modify the technical features of its products, without obligation to do the same with those products already sold and without prior knowledge of the dealer or the customer. The photos are only illustrative.



# PRODUCTS

0102260762	GAICR 25 X 28 X 6,00 DR DMO E 1.5/8 S-0923
0102260784	GAICR 26 X 26 X 6,00 DR DMO E 1.5/8 S-0923
0102260746	GAICR 26 X 28 X 6,00 DR DMO E 1.5/8 S-0923
0102260718C	GAICR 26 X 28 X 7,50 DR DMO E 1.5/8 EXP S-0923
0102260801	GAICR 26 X 28 X 7,50 DR DMO E 1.5/8 PN11L15 S-0923
0102260718	GAICR 26 X 28 X 7,50 DR DMO E 1.5/8 S-0923
0102260729	GAICR 28 X 26 X 6,00 DR DMO E 1.5/8 S-0923
0102260798	GAICR 28 X 28 X 6,0 DR DMO E 1.5/8 PN400/60 S-0923
0102260805	GAICR 28 X 28 X 6,00 DR DMO E 1.5/8 PN11L15 S-0923
0102260737	GAICR 28 X 28 X 6,00 DR DMO E 1.5/8 S-0923
0102260730C	GAICR 28 X 28 X 7,5 DR DMO E 1.5/8 EXP S-0923
0102260778	GAICR 28 X 28 X 7,50 DR DMO E 1.5/8 PN11L15 S-0923
0102260730	GAICR 28 X 28 X 7,50 DR DMO E 1.5/8 S-0923
0102260770	GAICR 28 X 28 X 7,50 DR DMO E 1.5/8 TERR S-0923
0102260787	GAICR 28 X 28 X 7,50 MT DMO E 1.5/8 S-0923
0102260783	GAICR 29 X 26 X 6,00 DR DMO E 1.5/8 S-0923
0102260782	GAICR 29 X 28 X 6,00 DR DMO E 1.5/8 S-0923
0102260811	GAICR 30 X 26 X 7,50 DR DMO E 1.5/8 S-0923
0102260809	GAICR 30 X 28 X 6,00 DR DMO E 1.5/8 S-0923
0102260740	GAICR 30 X 28 X 7,5 DR DMO E 1.5/8 PN11L15 S-0923
0102260739	GAICR 30 X 28 X 7,50 DR DMO E 1.5/8 S-0923
0102260792	GAICR 32 X 26 X 6,0 DR DMO E 1.5/8 PN400/60 S-0923
0102260795	GAICR 32 X 28 X 6,0 DR DMO E 1.5/8 PN400/60 S-0923
0102260789	GAICR 32 X 28 X 7,5 DR DMO E 1.5/8 PN400/60 S-0923
0102260789C	GAICR 32X28X7,5 DR DMO E 1.5/8 PN400/60 EXP S-0923
0102260802	GAICR 32X30X7,50 DR DMO E 1.5/8 PN400/60 S-0923
0102260793	GAICR 36 X 26 X 6,0 DR DMO E 1.5/8 PN400/60 S-0923
0102260796	GAICR 36 X 28 X 6,0 DR DMO E 1.5/8 PN400/60 S-0923
0102260790C	GAICR 36X28X7,5 DR DMO E 1.5/8 PN400/60 EXP S-0923
0102260790	GAICR 36X28X7,50 DR DMO E 1.5/8 PN400/60 S-0923
0102260794	GAICR 40X26X6,00 DR DMO E 1.5/8 PN400/60 S-0923

## ATTENTION: IMPORTANT

Marchesan S.A. reserves the right to improve and/or modify the technical features of its products, without obligation to do the same with those products already sold and without prior knowledge of the dealer or the customer. The photos are only illustrative.



# PRODUCTS

0102260791C	GAICR 40X28X7,5 DR DMO E 1.5/8 PN400/60 EXP S-0923
0102260791	GAICR 40X28X7,50 DR DMO E 1.5/8 PN400/60 S-0923
0102260799	GAICR 40X30X7,50 DR DMO E 1.5/8 PN400/60 S-0923

## ATTENTION: IMPORTANT

Marchesan S.A. reserves the right to improve and/or modify the technical features of its products, without obligation to do the same with those products already sold and without prior knowledge of the dealer or the customer. The photos are only illustrative.



**MARCHESAN**

# INDEX

0909096917	FRAME ASSY - 12/14/16/18/20/22/24/25/26/28/29/30D	.....	1
0501051634	STUB SHAFT HUB ASSY	.....	2
0501051636	STUB SHAFT & HUB ASSY	.....	3
0501051142	CARRYING WHEEL HUB	.....	4
0511058298	HYDRAULIC CYLINDER 44,45 X 85,7 X 515 X 203	.....	5
0511059180	HYDRAULIC CYLINDER 50,80 X 101,60 X 515 X 203	.....	6
0501041096	DRAWBAR ASSY	.....	7
0521048502	ASSY TRACTION BAR	.....	8
0521057520	HITCH ASSY	.....	9
0503060094	WHEEL AND TIRE ASSY	.....	10
0503060091	L29.5"X0.63"-10L WHEEL AND	.....	11
0503060181	WHEEL AND TIRE	.....	12
0503061626	750 X 16-10L DOUBLE WHEEL TIRE ASSY	.....	13
0503060102	WHEEL AND TIRE 400/60 - 14L RIGHT	.....	14
0501040257	ASSY 3/4 X 38 HOSE SUPPORT	.....	15
0501053834	MALE QUICK COUPLER	.....	16
0503062157	DRAWBAR JACK	.....	17
0909096922	FRAME ASSY - 32/36/40D	.....	18
0501054147	RIGHT SUSPENSION TOWER	.....	19
0501054148	LEFT SUSPENSION TOWER	.....	20
0511059181	HYDRAULIC CYLINDER 50,80 X 101,60 X 515 X 248	.....	21
0511041570	DRAWBAR ASSY 3"	.....	22
0501051043	HOSE ASSY	.....	23
0511048088	DRAWBAR JACK	.....	24
0501051885	CARRYING-WHEELS	.....	25
0909096918	DISC GANG - 12/14/16/18/20/22/24/25/26/28/29/30D	.....	26
0909096923	DISC GANG - 32/36/40D	.....	27
0511048375	10.31" X 1.5/8" DMO BEARING PROTECTION SUPPORT	.....	28
0501059733	SWINGING 262 AXIS 1.5/8" MM BEARING	.....	29

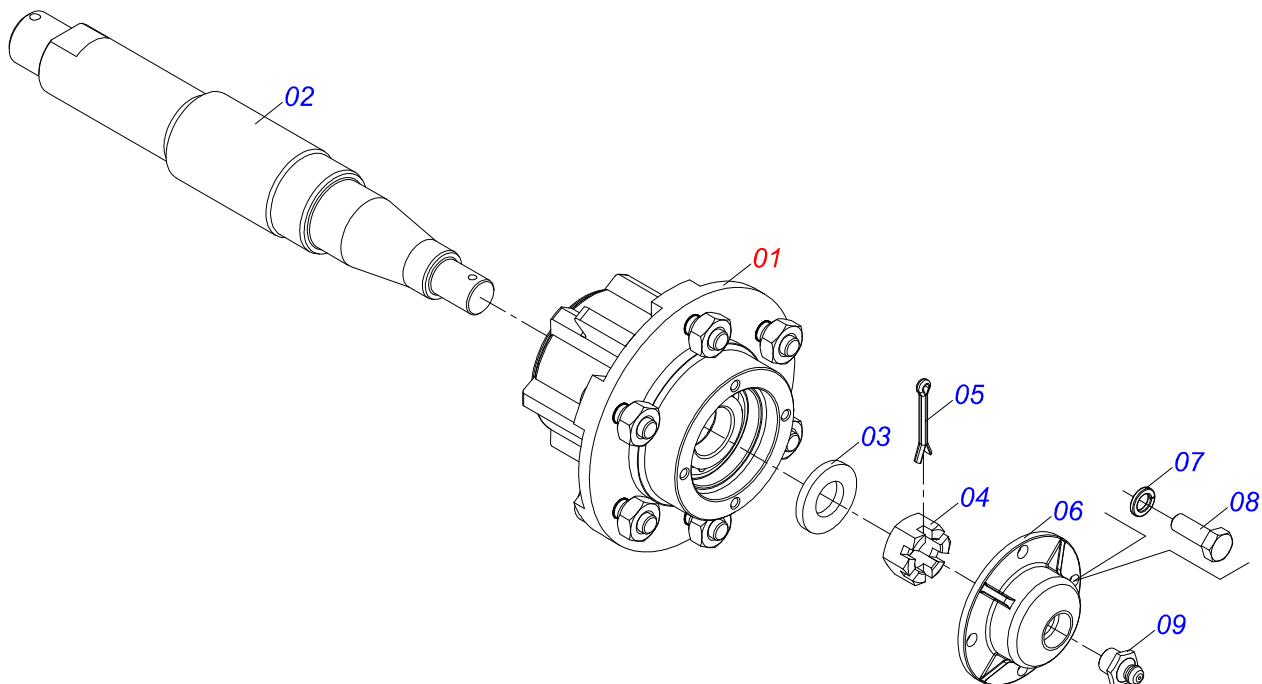






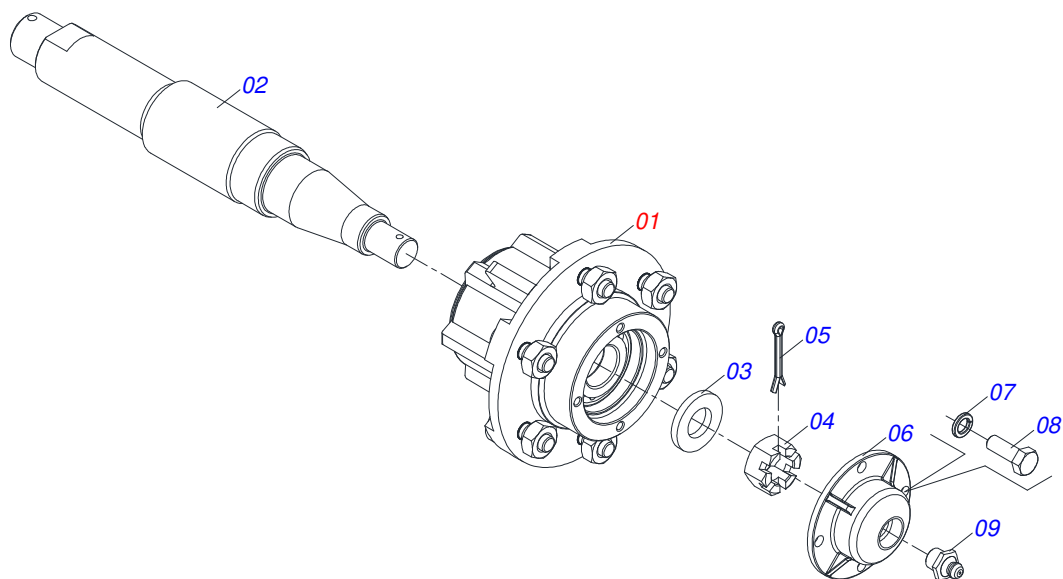


STUB SHAFT HUB ASSY



Item	Code	Description	See page	QT
01	0501051142	CARRYING WHEEL HUB	4	01
02	0521010821	2.5" X 16.5" AXLE		01
03	0501016545	FLAT WASHER		01
04	0503030009	1" CASTLE NUT		01
05	0503010018	5/32" X 1-1/2" SPLIT PIN		01
06	0502020591	PROTECCION COVER		01
07	0503011444	SPRING WASHER 5/16"		04
08	0503010358	5/16" X 5/8" BOLT		04
09	0503010002	1800 GREASE FITTING		01

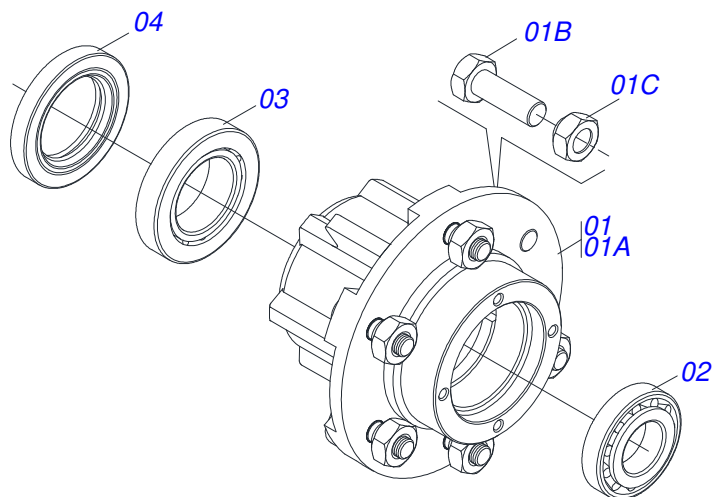
STUB SHAFT & HUB ASSY



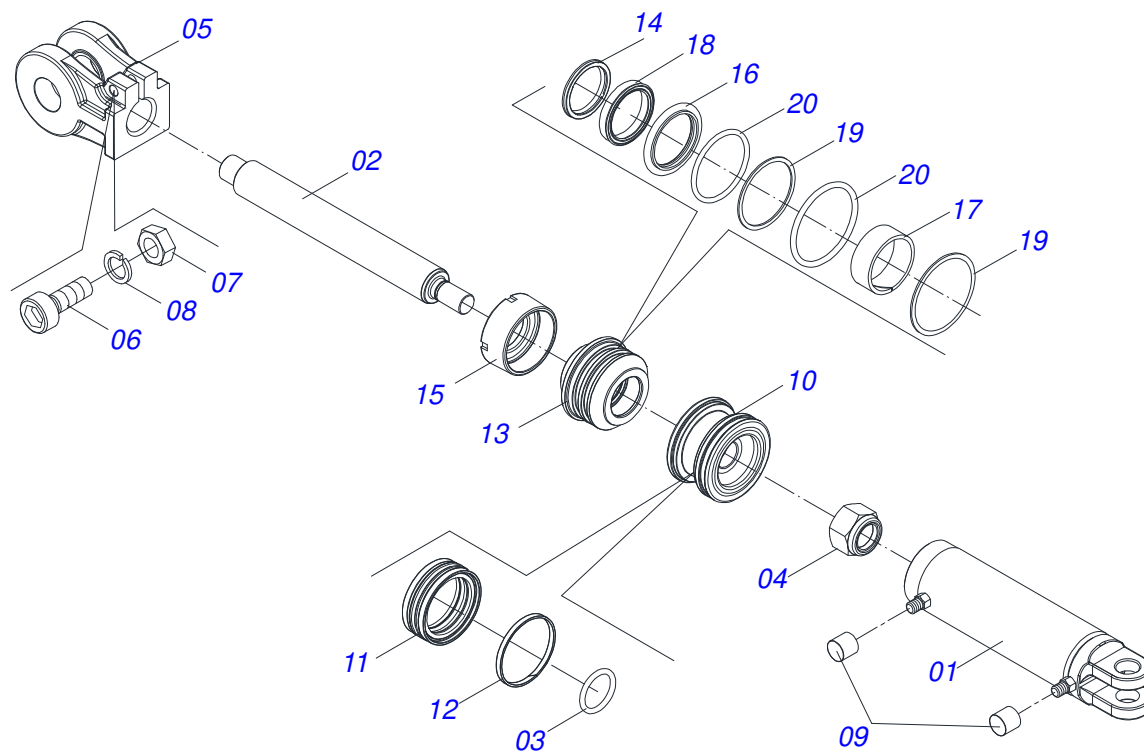
Item	Code	Description	See page	QT
001	0501051142	CARRYING WHEEL HUB	4	01
002	0521010822	AXLE 63,5 X 520		01
003	0501016545	FLAT WASHER		01
004	0503030009	1" CASTLE NUT		01
005	0503010018	5/32" X 1-1/2" SPLIT PIN		01
006	0502020591	PROTECCION COVER		01
007	0503011444	SPRING WASHER 5/16"		04
008	0503010358	5/16" X 5/8" BOLT		04
009	0503010002	1800 GREASE FITTING		01

CARRYING WHEEL HUB

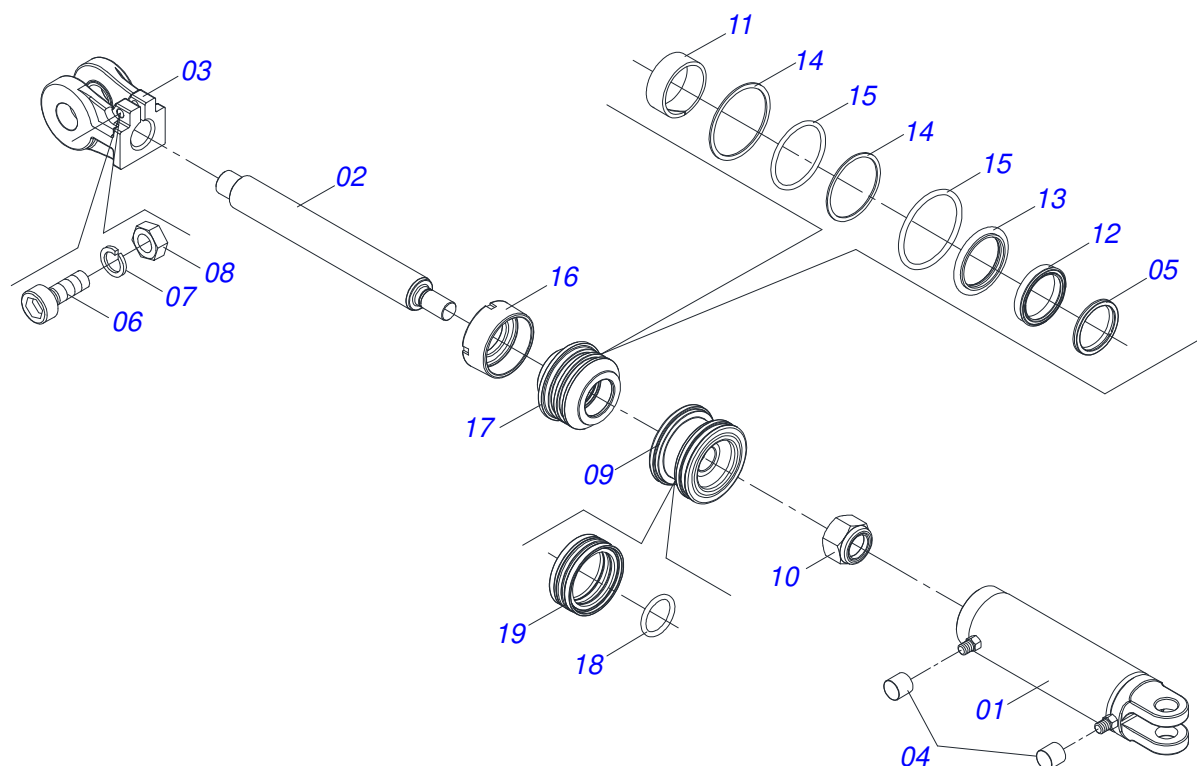
0501051142



Item	Code	Description	See page	QT
01	0501110728	WHEEL HUB		01
01A	0502011121	CARRYING WHEEL HUB		01
01B	0501010127	9/16" X 1-7/8" LUG BOLT		06
01C	0503010035	9/16" CONIC NUT		06
02	0503010037	30207 ROLLER BEARING		01
03	0503010006	32210 ROLLER BEARING		01
04	0503012928	SEAL		01

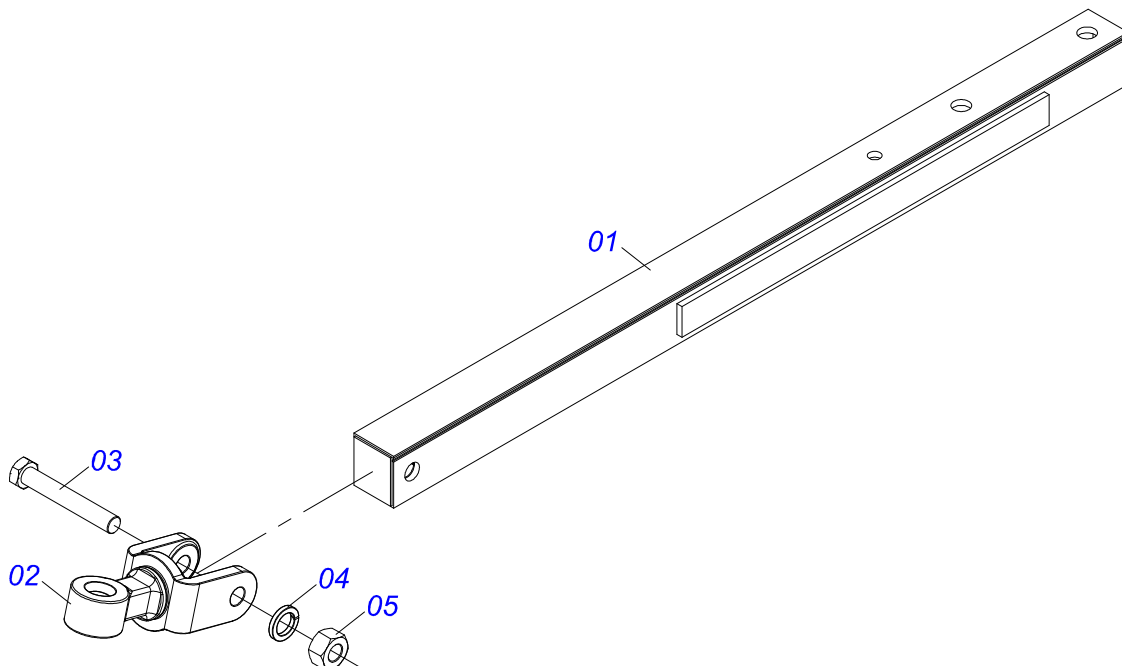


Item	Code	Description	See page	QT
01	0511061588	3.4" X 16" CYLINDER CASE		01
02	0521010421	HYDRAULIC CYLINDER TURNBUCKLE		01
03	0503010042	2-214 N 3006-9B O'RING		01
04	0503010063	1" SELF-ALIGNING NUT		01
05	0502040747	32.54 CLEVIS CLAMP		01
06	0503011094	BOLT 3/8" UNC X 2" C C S I 12.9		01
07	0503010026	3/8" NUT		01
08	0503010025	3/8 SPRING WASHER		01
09	0503030385	CYLINDER PLUG N-002		02
10	0571019710	1.7" X 3.4" PISTON		01
11	0503017935	RING		01
12	0503018144	RING		01
13	0571019711	RING SUPPORT		01
14	0503010761	D-1750 SCRAPER RING		01
15	0571019709	DETACHABLE COVER		01
16	0503017936	RING		01
17	0503017938	RING GUIDE		01
18	0503017937	GASKET		01
19	0503017940	8-337 BACK-UP RING		02
20	0503017939	2-337 N 3006-9B O' RING		02



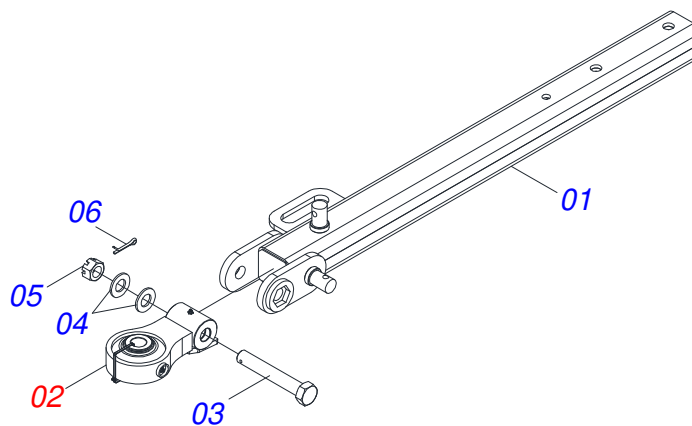
Item	Code	Description	See page	QT
01	0511070658	CYLINDER CASE		01
02	0571019958	HYDRAULIC CYLINDER TURNBUCKLE		01
03	0502040747	32.54 CLEVIS CLAMP		01
04	0503030385	CYLINDER PLUG N-002		02
05	0503010039	D-2000 SCRAPER RING		01
06	0503011094	BOLT 3/8" UNC X 2" C C S I 12.9		01
07	0503011443	SPRING WASHER 3/8"		01
08	0503010026	3/8" NUT		01
09	0502012820	2" X 4" PISTON		01
10	0503010817	SELF LOCKING NUT 1.1/4 UNF ALTA G.5 ZN		01
11	0503018025	RING GUIDE W2-2250-750		01
12	0503018026	GASKET 1870-2000-375 B POLYMAX		01
13	0503018024	RING BS OD050805200171D-BR		01
14	0503010338	2-342 N 3006-9B O'RING		02
15	0503011061	8-342 BACK-UP RING		02
16	0502012822	END CAP 4"		01
17	0502012821	2" X 4" RING SUPPORT		01
18	0503018029	O'RING 2-217 N 3006 90B		01
19	0503015633	SELEMASTER SEALING		01

**DRAWBAR ASSY**



Item	Code	Description	See page	QT
01	0501060188	DRAWBAR ASSY		01
02	0521061775	TRACTOR HITCH		01
03	0501010060	1" X 6-1/2" BOLT		01
04	0503011438	SPRING WASHER		01
05	0501010059	1.5/8 NUT		01

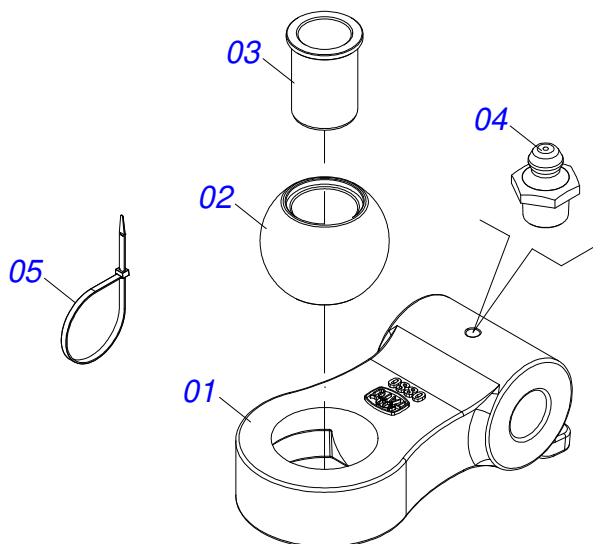
ASSY TRACTION BAR



Item	Code	Description	See page	QT
01	0521069165	DRAWBAR		01
02	0521057520	HITCH ASSY	9	01
03	0581015973	1.1/4 UNC X 8 C S G5 SCREW		01
04	0501017779	FLAT WASHER 32 X 60 X 4,75		02
05	0503013026	1.1/4" CASTLE NUT		01
06	0503010010	SPLIT PIN 1/4" X 2.1/2"		01

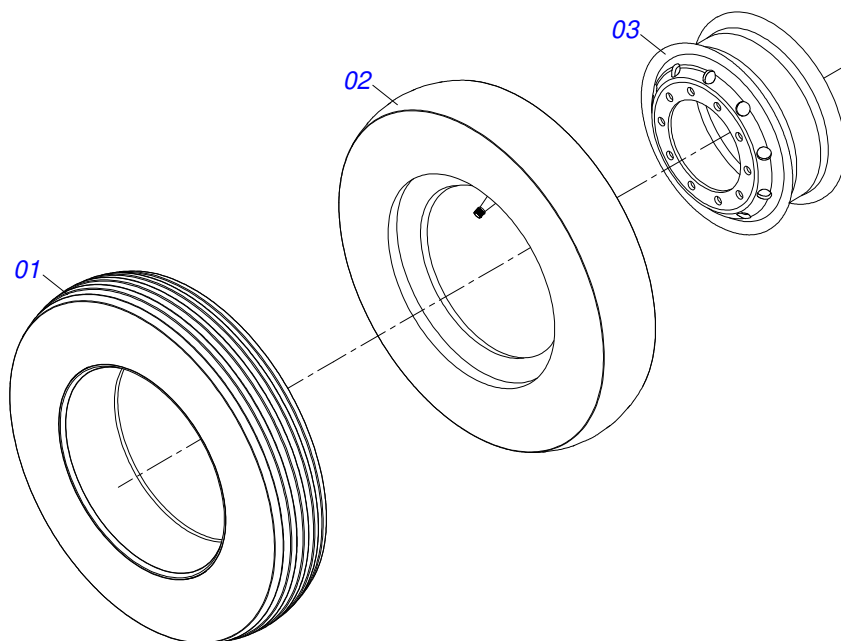


HITCH ASSY

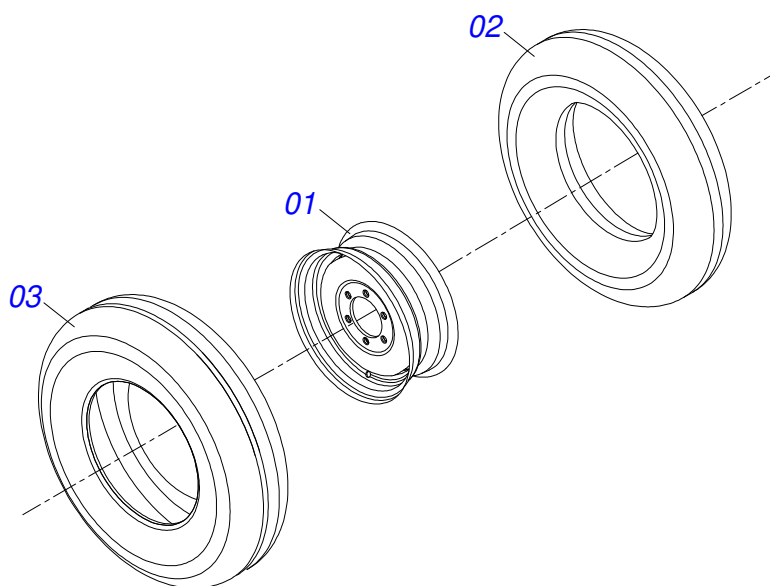


Item	Code	Description	See page	QT
01	0502040880	HITCH BODY		01
02	0502040885	BODY ATTACHMENT		01
03	0591012511	SLEEVE		01
04	0503010002	1800 GREASE FITTING		01
05	0503018829	NYLON CLAMP 7,8 X 1,8 X 390 MM		01

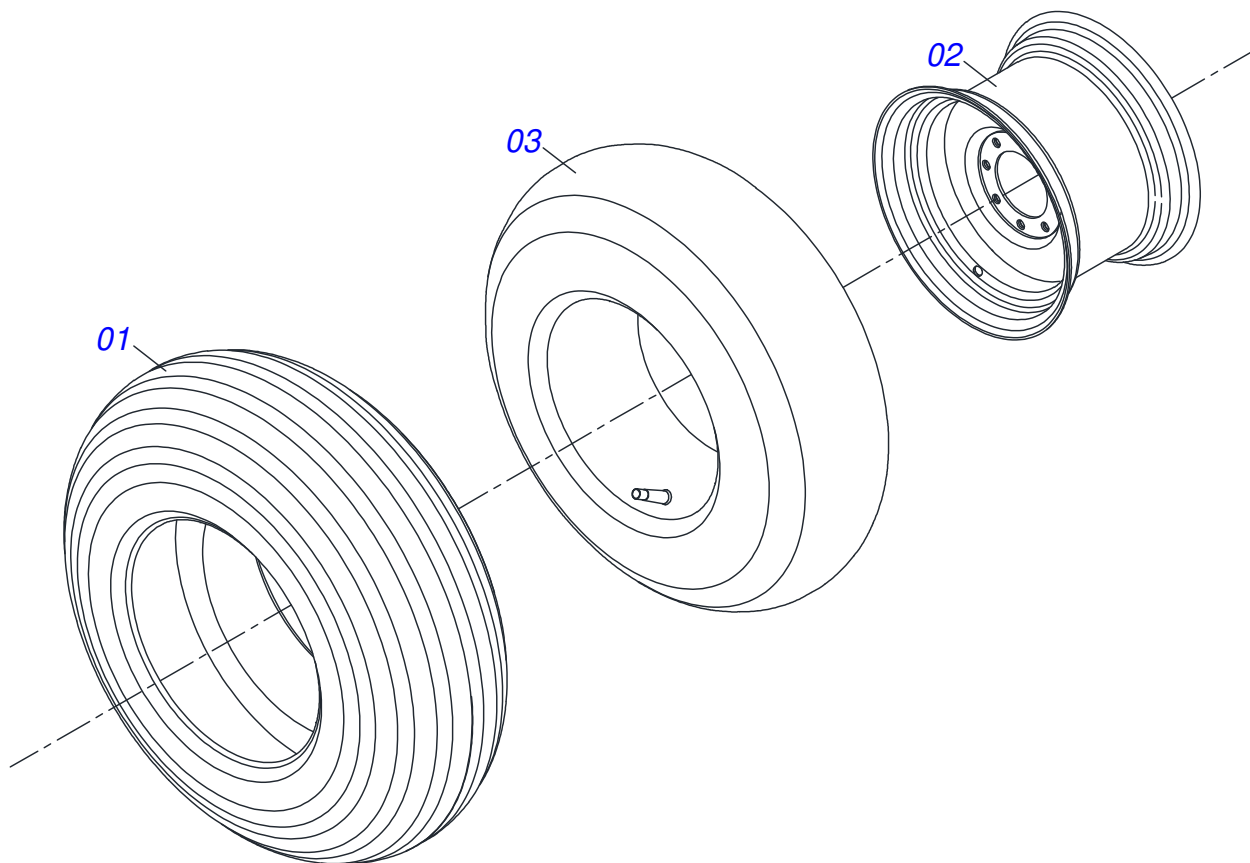
WHEEL AND TIRE ASSY



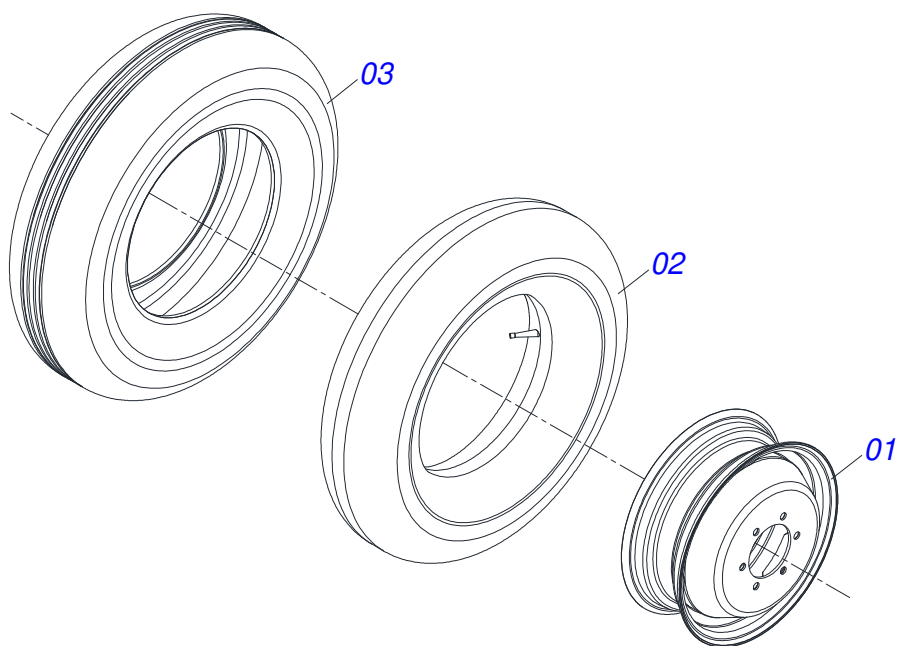
Item	Code	Description	See page	QT
01	0503010065	CANVAS TIRE		01
02	0503010068	6.00 X 16 INNER TIRE		01
03	0503010894	0.2"X0.6"X4.6"X6F0.6"X6" WHEEL		01



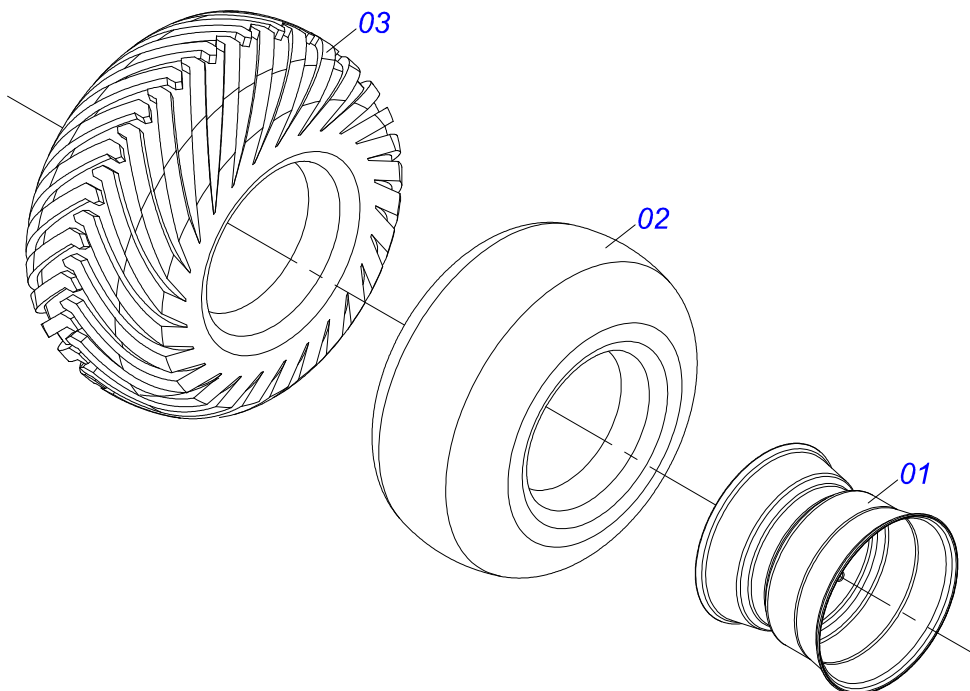
Item	Code	Description	See page	QT
01	0503010893	WHEEL		01
02	0503010033	7.50 X 16 INNER TIRE		01
03	0503010120	CANVAS TIRE		01



Item	Code	Description	See page	QT
01	0503010858	CANVAS TIRE		01
02	0503011468	WEEL		01
03	0503010860	AIR CHAMBER 11L 15		01

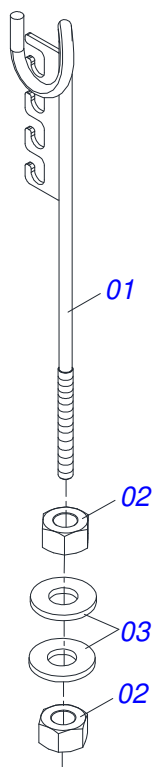


Item	Code	Description	See page	QT
01	0503014253	5.50 X 16 X 118 X 6F16,5 X 152,4 WHEEL		01
02	0503010033	7.50 X 16 INNER TIRE		01
03	0503010120	CANVAS TIRE		01



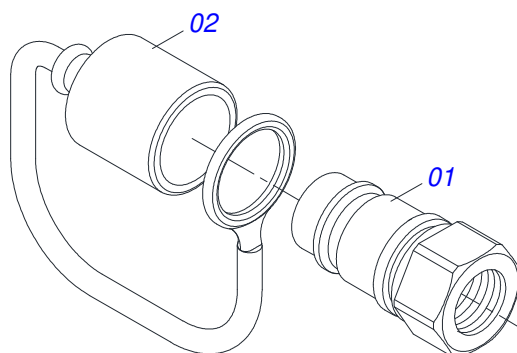
Item	Code	Description	See page	QT
01	0501069483	WHEEL 13 X 15,5 - 21FT		01
02	0503012112	400/60 - 15.5 TR 15 INNER TIRE		01
03	0503013119	CANVAS TIRE 400/60-15,5-T404-14L TRELEBORG		01

ASSY 3/4 X 38 HOSE SUPPORT



Item	Code	Description	See page	QT
01	0511067334	HOSE SUPPORT		01
02	0503010014	3/4" HEX NUT		02
03	0501010322	FLAT WASHER		02

MALE QUICK COUPLER

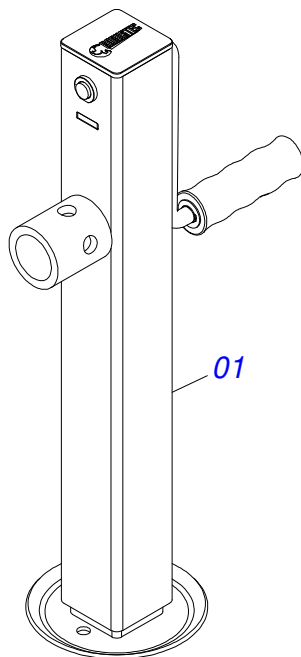


Item	Code	Description	See page	QT
01	0503011627	MALE QUICK COUPLER AGR 1/2 NPT		01
02	0503011882	MALE QUICK COUPLER CAP		01



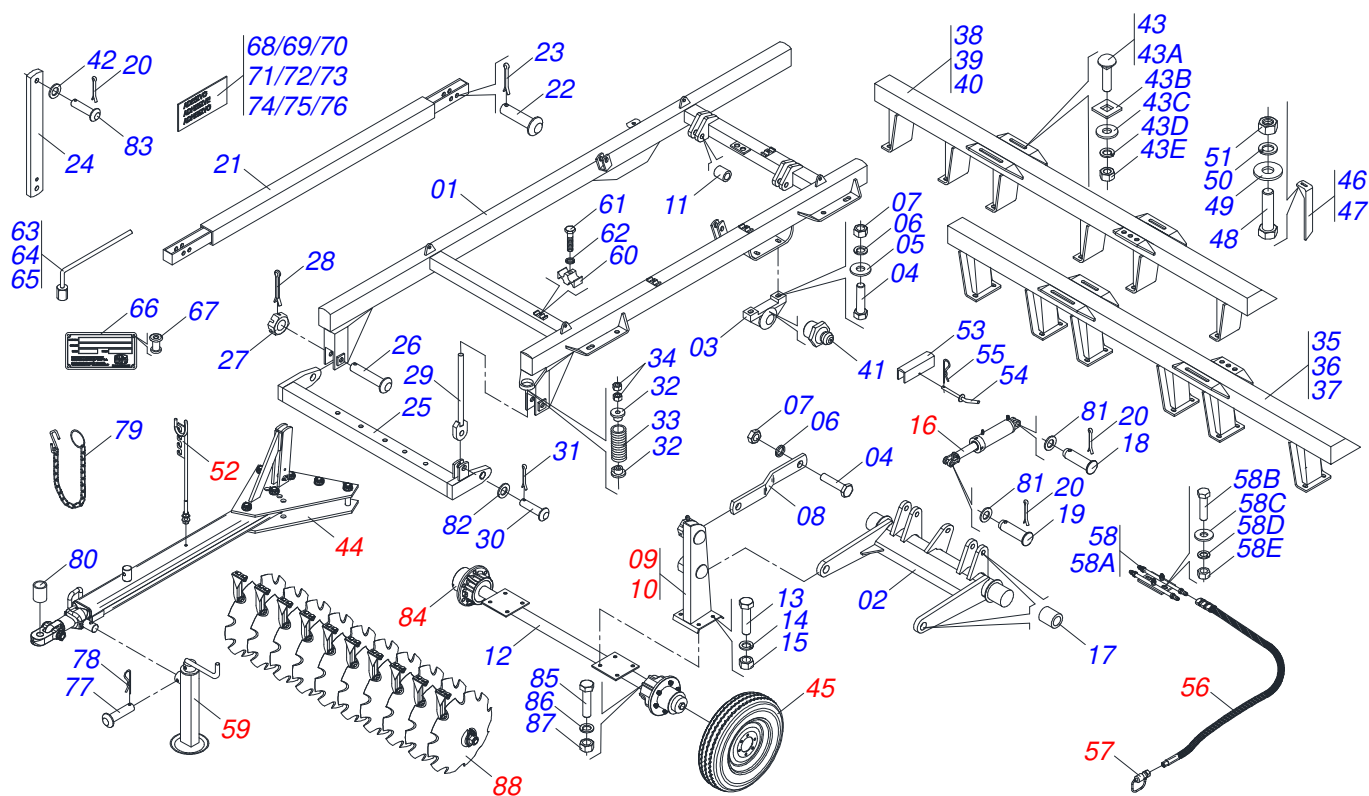
**DRAWBAR JACK**

0503062157



Item	Code	Description	See page	QT
01	0503062157	DRAWBAR JACK	17	01

FRAME ASSY - 32/36/40D



Item	Code	Description	See page	032	036	040
01	0501067290	CENTER FRAME		001	001	001
02	0501067244	WHEELS		001	001	001
03	0502010972	ARTICULACION BEARING		002	002	002
04	0503011432	BOLT		004	004	004
05	0501010065	1" SPRING WASHER		004	004	004
06	0503010012	1" SPRING WASHER		004	004	004
07	0501010059	1.5/8 NUT		004	004	004
08	0501110404	SUPPORT BAR		002	002	002
09	0501054147	RIGHT SUSPENSION TOWER	19	001	001	001
10	0501054148	LEFT SUSPENSION TOWER	20	001	001	001
11	0511019921	1.3" X 0.1" X 1" SLEEVE		002	002	002
12	0511069623	WHEEL SISTEM FIXER		001	001	001
13	0501810125	SCREW 3/4 UNC X 2.1/2 C S G.5		008	008	008
14	0503011442	3/4" SPRING WASHER		008	008	008
15	0503010014	3/4" HEX NUT		008	008	008
16	0511059181	HYDRAULIC CYLINDER 50,80 X 101,60 X 515 X 248	21	002	002	002
17	0521010737	50,4/50,6X 38,5 X 35 SLEEVE		002	002	002
18	0511810174	COUPLING SHAFT		002	002	002
19	0521010547	1.2" X 6.5" COUPLING SHAFT		002	002	002
20	0503010523	1/4" X 2" SPLIT PIN		004	004	004
21	0501067243	STABILIZER BAR		001	001	001
22	0521810575	COUPLING SHAFT		002	002	002
23	0503010571	1/4" X 1.1/2" SPLIT PIN		002	002	002
24	0511013526	STABILIZER BAR TOWER		001	001	001
25	0501067241	OFFSET BAR		001	001	001
26	0521817538	COUPLING SHAFT		002	002	002
27	0501011301	1.1/2" UNC 6FPP 2.5/16" NUT		002	002	002
28	0503010010	SPLIT PIN 1/4" X 2.1/2"		002	002	002
29	0501064699	SPRING ROD		001	001	001
30	0521010592	1.1" X 3.1" COUPLING SHAFT		001	001	001
31	0503010571	1/4" X 1.1/2" SPLIT PIN		001	001	001



## FRAME ASSY - 32/36/40D

0909096922

Item	Code	Description	See page	032	036	040
32	0502020394	SPRING SUPPORT		001	001	001
33	0503030441	12.7" X 5.7" X 0.5"SPRING		001	001	001
34	0501810087	NUT - 1.1/4 UNC 7FPP (SEXT.2) SA		002	002	002
35	0501065161	FRONT FRAME - 32D		001	000	000
36	0501065163	FRONT FRAME - 36D		000	001	000
37	0501065165	FRONT FRAME - 40D		000	000	001
38	0501065162	REAR FRAME - 32D		001	000	000
39	0501065164	REAR FRAME - 36D		000	001	000
40	0501065166	REAR FRAME - 40D		000	000	001
41	0503010002	1800 GREASE FITTING		004	004	004
42	0501011445	FLAT WASHER		001	001	001
43	0501040877	C1" X 3-1/4" ASSY BOLT		008	008	008
43A	0501014309	C1" X 3-1/4" BOLT		001	001	001
43B	0501010951	1" SQUARE WASHER		001	001	001
43C	0501010065	1" SPRING WASHER		001	001	001
43D	0503011438	SPRING WASHER		001	001	001
43E	0501010059	1.5/8 NUT		001	001	001
44	0511041570	DRAWBAR ASSY 3"	22	001	001	001
45	0503060102	WHEEL AND TIRE 400/60 - 14L RIGHT	14	002	002	002
46	0501065827	FRONT CLEANER		009	011	013
47	0501065828	REAR CLEANER		009	011	013
48	0503010740	BOLT 1/2 UNC X 2 CS G.5 ZN		036	044	052
49	0511017302	FLAT WASHER 13,50 X 32,50 X 3,0 ZN		072	088	104
50	0503010019	1/2" SPRING WASHER		036	044	052
51	0503010060	1/2 UNC G.5 ZN HEX NUT		036	044	052
52	0501040257	ASSY 3/4 X 38 HOSE SUPPORT	15	001	001	001
53	0501066386	TRANSPORT LOCK 9.54"		002	002	002
54	0501068994	8,30 X 78 LOCK PIN		001	001	001
55	0503030168	HITCH PIN CLIP		002	002	002
56	0501051043	HOSE ASSY	23	001	001	001
57	0501053834	MALE QUICK COUPLER	16	002	002	002
58	0501051611	CONNECTION ASSY		001	001	001
58A	0501068706	DOUBLE CONNECTION		001	001	001
58B	0503010237	3/8" X 1" BOLT		002	002	002
58C	0501010984	10,50 X 27 X 3,00 FLAT WASHER		002	002	002
58D	0503010025	3/8 SPRING WASHER		002	002	002
58E	0503010026	3/8" NUT		002	002	002
59	0511048088	DRAWBAR JACK	24	001	001	001
60	0502012702	BODY SUPPORT CLAMP		004	004	005
61	0503012555	SCREW 7/16 UNC X 2 CS RT G.7 ZN		001	001	001
62	0503010180	7/16" SPRING WASHER		004	005	005
63	0501061617	1" GANG BOLT WRENCH		001	001	001
64	0503016140	3/4" WRENCH CABLE CYLINDRICAL		002	002	002
65	0501011431	1-3/4" GANG BOLT WRENCH		001	001	001
66	0503034003	61 X 118 SERIAL NUMBER TAG		001	001	001
67	0503010001	RIVET 3,2 X 5,5		004	004	004
68	0503060787	GAICR DECAL SET		001	001	001
69	0503031428	READ MANUAL DECAL		001	001	001
70	0503031087	AUTO CONTROL APPROVED DECAL		001	001	001
71	0503031827	LUBRICATE AND RETIGHTEN DAILY DECAL		001	001	001
72	0503034078	LIFTING POINTS DECAL		004	004	004
73	0503031738	WARNING DECAL		002	002	002
74	0503033038	DANGER SIGN		001	001	001
75	0503034499	HOSE IDENTIFICATION DECAL		001	001	001
76	0503031739	DANGER DECAL		001	001	001
77	0561014251	COUPLING SHAFT		001	001	001
78	0503030012	HITCH PIN CLIP		001	001	001
79	0503013150	1300 X 3/8" CHAIN		001	001	001
80	0581010270	GLOVE 48 X 59.30 X 76		001	001	001



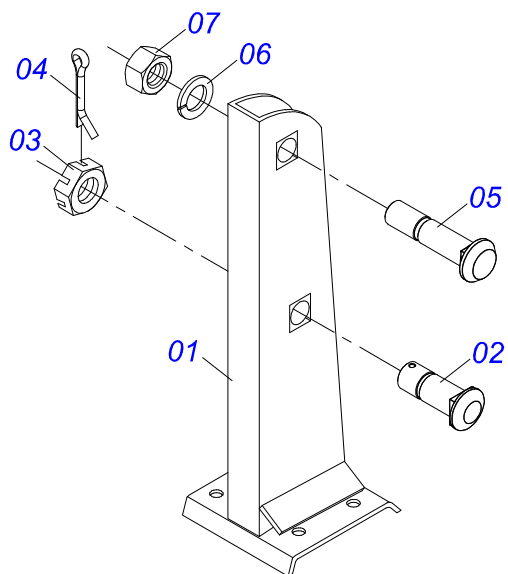
FRAME ASSY - 32/36/40D

0909096922

Item	Code	Description	See page	032	036	040
81	0501017779	FLAT WASHER 32 X 60 X 4,75		004	004	004
82	0561011883	FLAT WASHER		001	001	001
83	0521010576	0.9" X 3.7" COUPLING SHAFT		001	001	001
84	0501051885	CARRYING-WHEELS	25	002	002	002
85	0503810706	SCREW 1/2 UNC X 4.1/2 C S G.5 SA		002	002	002
86	0503011440	SPRING WASHER		002	002	002
87	0503810060	NUT 1/2 NC S SA		002	002	002
88	0909096923	DISC GANG - 32/36/40D	27	001	001	001

RIGHT SUSPENSION TOWER

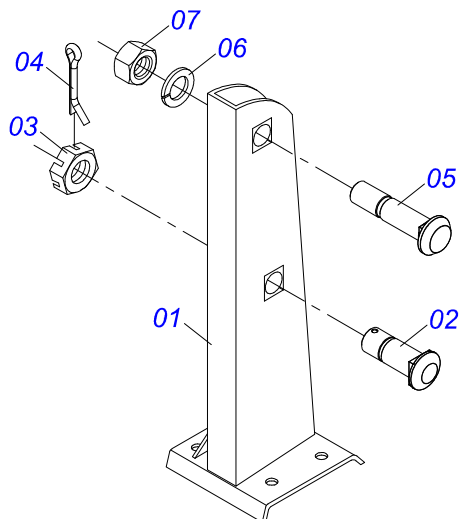
0501054147



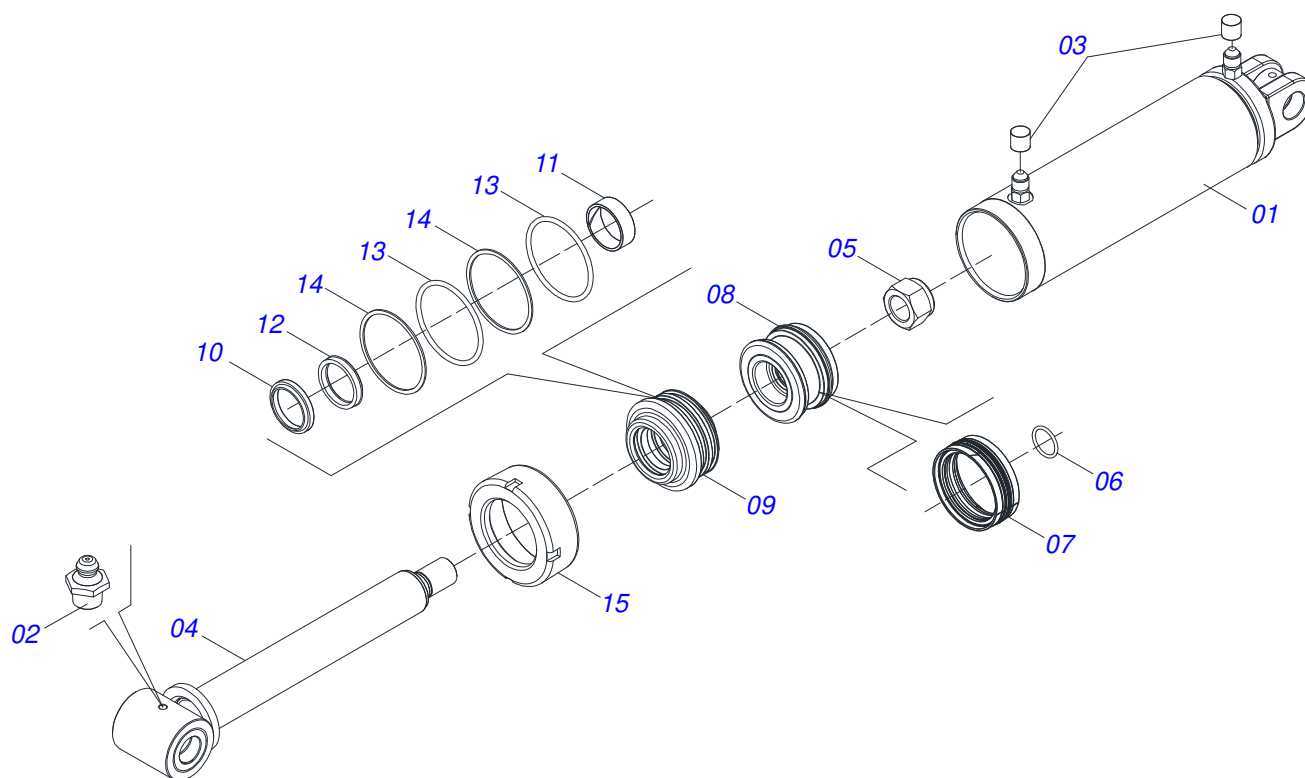
Item	Code	Description	See page	QT
01	0501068260	RIGHT SUSPENSION TOWER		01
02	0511018006	1-1/2 X 4.13" U BOLT OF SUSP TOWER		01
03	0501011301	1.1/2" UNC 6FPP 2.5/16" NUT		01
04	0503010010	SPLIT PIN 1/4" X 2.1/2"		01
05	0511017974	1" U BOLT SUSPENSION TOWER		01
06	0503010012	1" SPRING WASHER		01
07	0501010059	1.5/8 NUT		01

LEFT SUSPENSION TOWER

0501054148

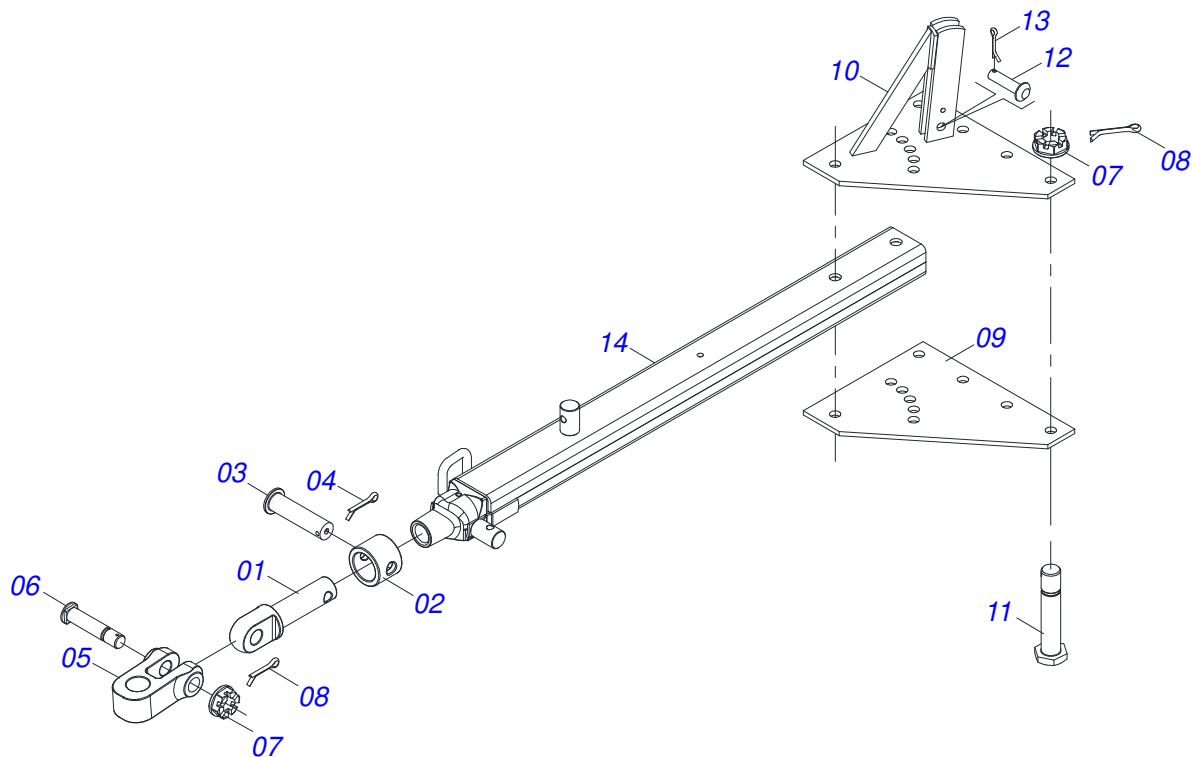


Item	Code	Description	See page	QT
01	0501068261	LEFT SUSPENSION TOWER		01
02	0511018006	1-1/2 X 4.13" U BOLT OF SUSP TOWER		01
03	0501011301	1.1/2" UNC 6FPP 2.5/16" NUT		01
04	0503010010	SPLIT PIN 1/4" X 2.1/2"		01
05	0511017974	1" U BOLT SUSPENSION TOWER		01
06	0503010012	1" SPRING WASHER		01
07	0501010059	1.5/8 NUT		01



Item	Code	Description	See page	QT
01	0501067256	4" X 16" CYLINDER CASE		01
02	0503010002	1800 GREASE FITTING		02
03	0503030385	CYLINDER PLUG N-002		02
04	0521066345	50,80 X 452 TURNBUCLE		01
05	0503010817	SELF LOCKING NUT 1.1/4 UNF ALTA G.5 ZN		01
06	0503010345	2-218 N 3006-9B O'RING		01
07	0503015633	SELEMASTER SEALING		01
08	0502012842	50,80 X 101,60 PISTON		01
09	0581010678	50,80 X 101 RING SUPPORT		01
10	0503015636	SCRAPER SEAL		01
11	0503018025	RING GUIDE W2-2250-750		01
12	0503018026	GASKET 1870-2000-375 B POLYMAX		01
13	0503010338	2-342 N 3006-9B O'RING		02
14	0503011061	8-342 BACK-UP RING		02
15	0502012822	END CAP 4"		01

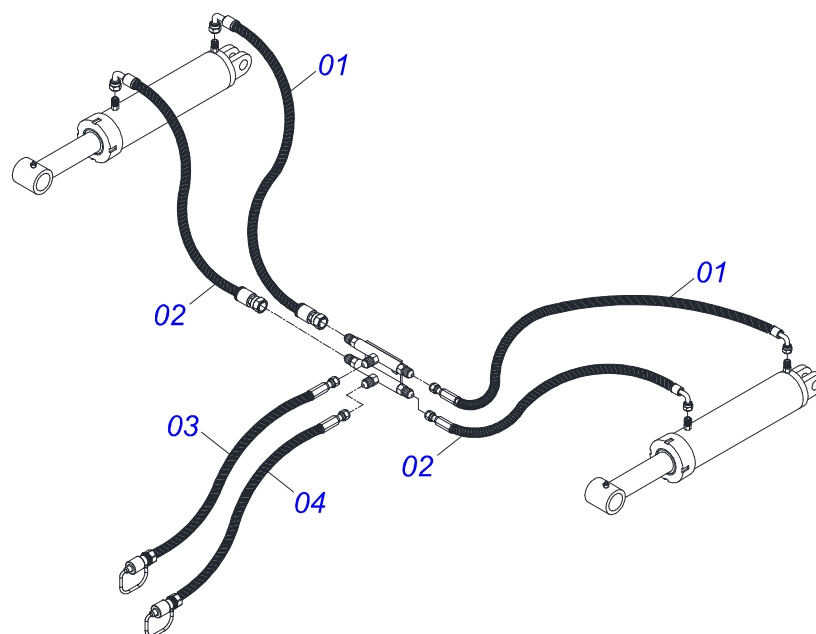
**DRAWBAR ASSY 3"**



Item	Code	Description	See page	QT
01	0502040223	DRAWBOLT		01
02	0502040327	HITCH LOCK RING		01
03	0511014902	COUPLING SHAFT		01
04	0503010571	1/4" X 1.1/2" SPLIT PIN		01
05	1902040733	U COUPLING HOOK		01
06	0521012545	COUPLING SHAFT		01
07	0501011301	1.1/2" UNC 6FPP 2.5/16" NUT		07
08	0503010010	SPLIT PIN 1/4" X 2.1/2"		07
09	0511016137	UPPER /LOWER PLATE		01
10	0501067250	UPPER PLATE WITH SUPPORT		01
11	0501016419	1-1/2" X 7.5" BOLT		06
12	0521010779	31.75 X 95 COUPLING SHAFT		01
13	0503010523	1/4" X 2" SPLIT PIN		01
14	0501069323	TRACTION BAR		01

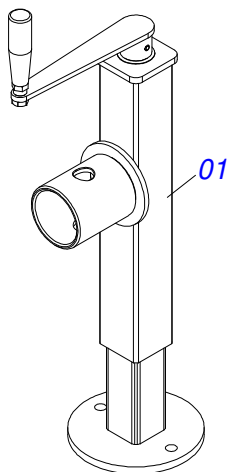


HOSE ASSY



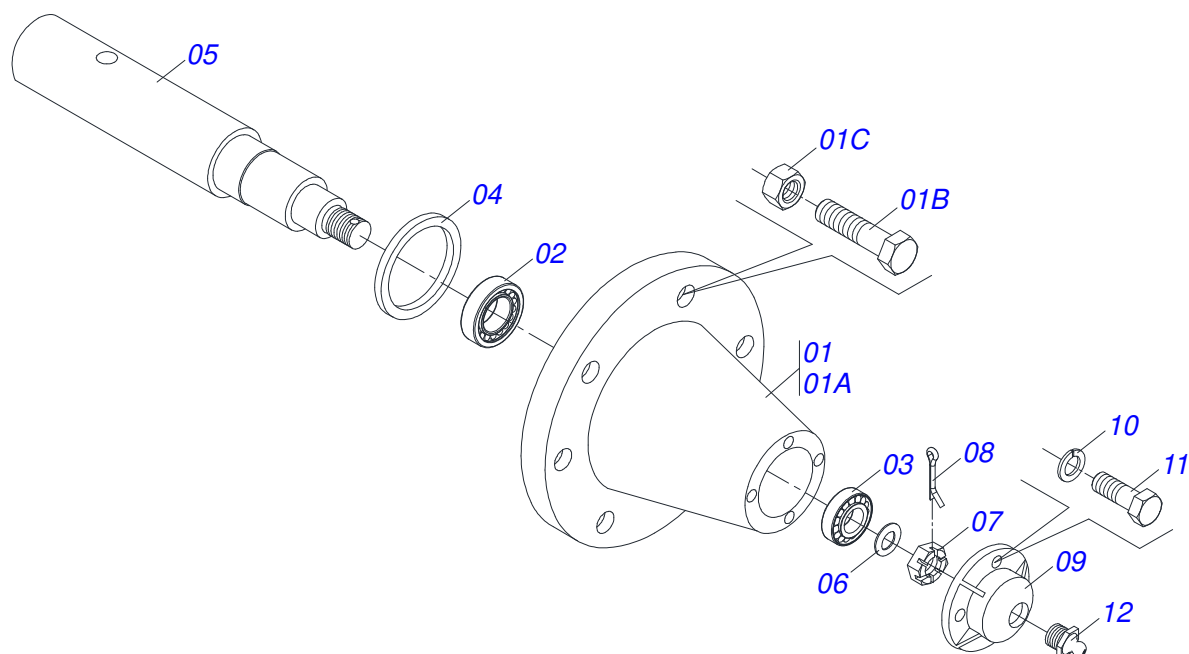
Item	Code	Description	See page	QT
01	0501080054	3/8" X 17" TR-TC HOSE ASSY		02
02	0501080413	3/8" X 27" TR-TC HOSE		02
03	0501080458	3/8" X 315" TC-TM HOSE ASSY		01
04	0501080459	3/8" X 322" TC-TM HOSE ASSY		01

**DRAWBAR JACK**



Item	Code	Description	See page	QT
01	0503062227	DRAWBAR JACK		01

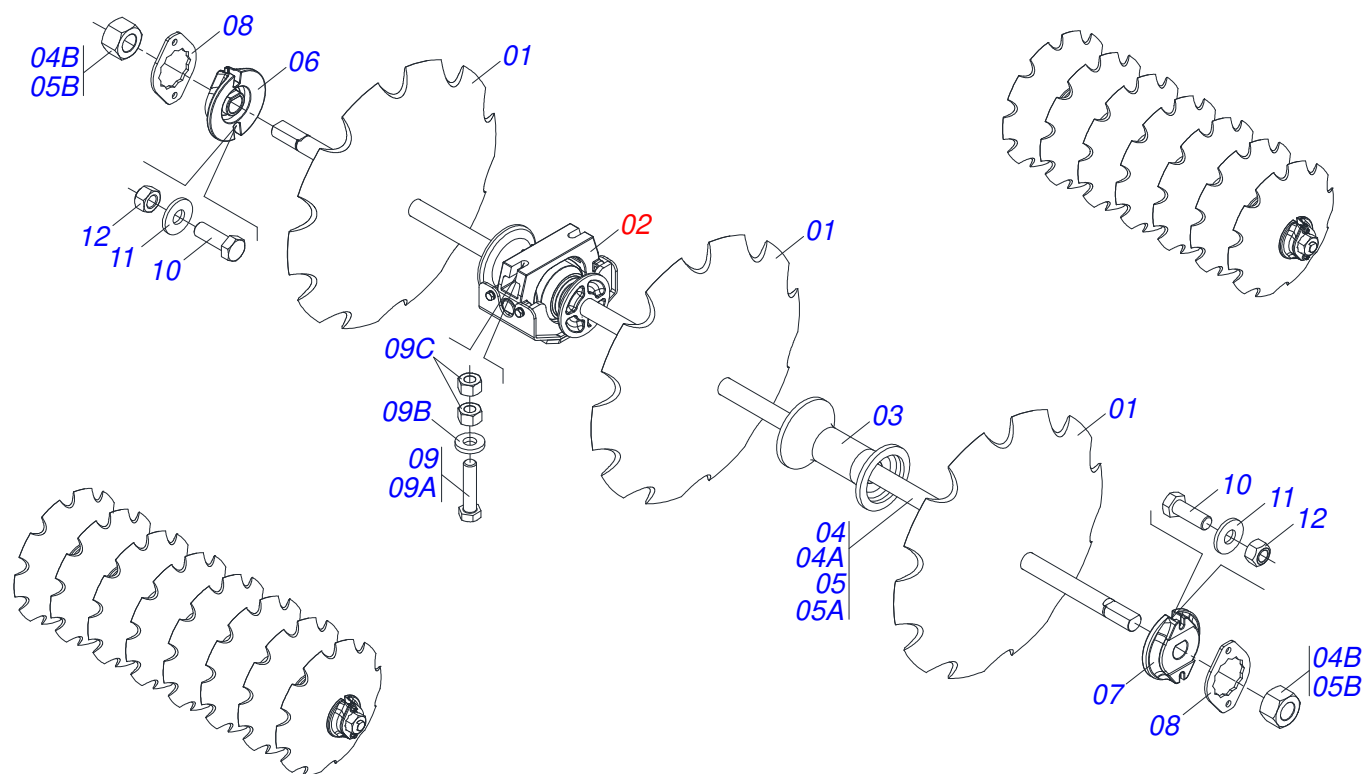
CARRYING-WHEELS



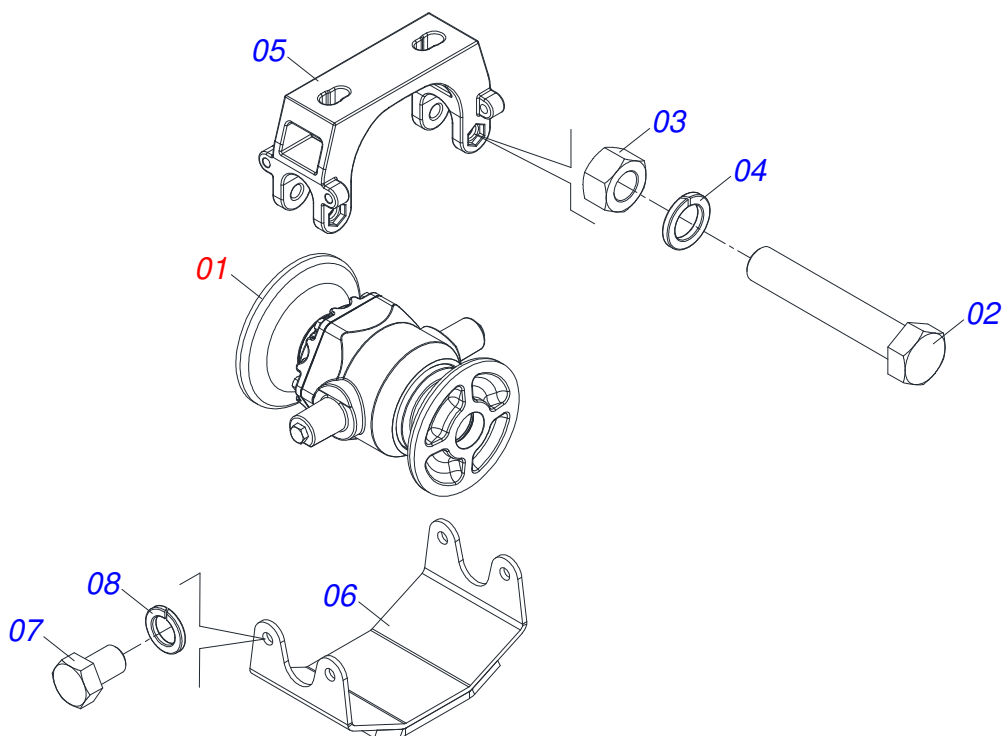
Item	Code	Description	See page	QT
01	0501110738	CARRYING WHEEL HUB 21FT		01
01A	0502012260	TRANSPORT WHEEL BOX		01
01B	0503010064	5/8 UNF CONIC NUT		08
01C	0501010186	WHEEL BOLT 5/8"UNF X 2.1/8CR		08
02	0503011156	2780/2720 IMP ROLLER BEARING		01
03	0503010008	3780/3720 ROLLER BEARING		01
04	0503013314	RETAINER 5166-GB 63,5 X 110 X 13 ARCA		01
05	0511012494	SPINDLE		01
06	0511012492	FLAT WASHER		01
07	0503030009	1" CASTLE NUT		01
08	0503010018	5/32" X 1-1/2" SPLIT PIN		01
09	0502020591	PROTECCION COVER		01
10	0503011444	SPRING WASHER 5/16"		04
11	0503010358	5/16" X 5/8" BOLT		04
12	0503010002	1800 GREASE FITTING		01



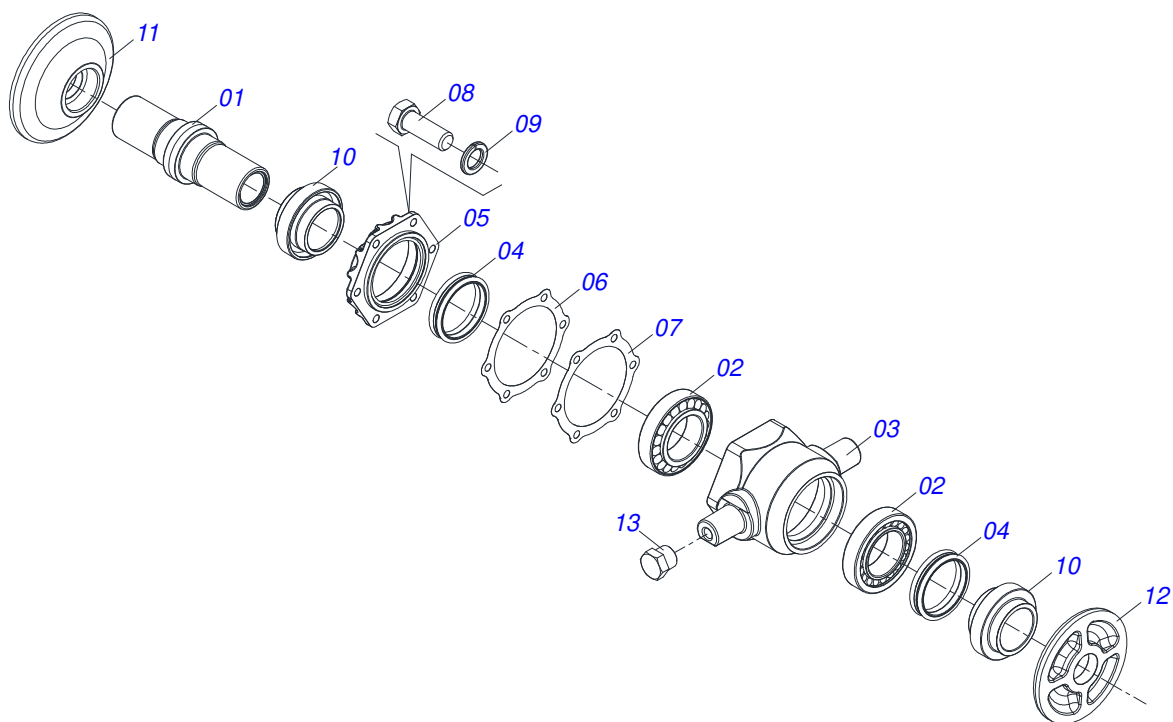




Item	Code	Description	See page	32	36	40
01	0602033005	DR 26 X 6 C90AF04FR1.11/16 10REC TATU		32	36	40
01.	0602033167	DR 26 X 7,5 C98AF04FR1.11/16 10REC TATU		32	36	40
01..	0602037004	DR 28 X 6 C102AF04FR1.11/16 10REC TATU		32	36	40
01...	0602037006	DR 28 X 7,5 C102AF04FR1.11/16 10REC TATU		32	36	40
01....	0602040074	DR 30 X 7,5 C105AF04FR1.11/16 10REC TATU		32	36	40
02	0511048375	10.31" X 1.5/8" DMO BEARING PROTECTION 28 SUPPORT		12	12	16
03	0502010703	10.35" 1-5/8" SPACER		14	18	16
04	0501046856	1-5/8" X 59" AXLE WITH NUTS 2-3/4		02	06	00
04A	0501019012	1-5/8" X 59" AXLE		01	01	00
04B	0502040640	1.5/8" 2.3/4" NUT		02	02	00
05	0501046854	1-5/8" X 48" AXLE WITH NUTS 2-3/4		04	00	08
05A	0501019016	1-5/8 X 48" AXLE		01	00	01
05B	0502040640	1.5/8" 2.3/4" NUT		02	00	02
06	0502011047	1-5/8" INNER AXLE WASHER		06	06	08
07	0502011048	1-5/8" EXTERNAL AXLE WASHER		06	06	08
08	0511014339	1-5/8" 2.8" NUT LOCK		12	12	16
09	0521047424	SCREW ASSY		24	24	32
09A	0501010500	3/4" X 3" BOLT		01	01	01
09B	0501010322	FLAT WASHER		01	01	01
09C	0503012183	SNC 3/4" ZIN 1K03097 NUT		02	02	02
10	0503010232	5/8" X 1.3/4" BOLT		12	12	16
11	0501012140	FLAT WASHER 16,50 X 40 X 4,00 ZN		12	12	16
12	0503012412	5/8" UNC SELF LOCKING NUT		12	12	16



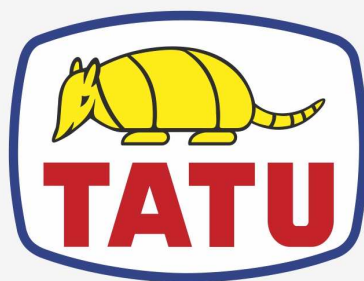
Item	Code	Description	See page	QT
01	0501059733	SWINGING 262 AXIS 1.5/8" MM BEARING	29	01
02	0503010762	SCREW 5/8 UNC X 3.1/2 CS G.5 ZN		02
03	0503010013	NUT 5/8" UNC G.5 ZN		02
04	0503010027	5/8 SPRING WASHER		02
05	0502012626	CENTER OSCILLATING BEARING SUPPORT		01
06	0521067341	BEARING SWING COVER WITH ENHANCED		01
07	0503010834	1/2 X 1 BOLT		04
08	0503010019	1/2" SPRING WASHER		04



Item	Code	Description	See page	QT
01	0502010900	BEARING AXLE		01
02	0503010005	32212 ROLLER BEARING		02
03	0502020691	AGRICULTURAL BEARING BOX		01
04	0503030027	DUO-CONE SEAL		02
05	0502020161	WEAR PLATE BEARING		01
06	0503030030	5.6" X 4.4" X 0.01" GASKET		02
07	0503030685	5.5" X 4.4" X 0.003" GASKET		01
08	0503010237	3/8" X 1" BOLT		06
09	0503011443	SPRING WASHER 3/8"		06
10	0502010735	SEAL RETAINER		02
11	0502040239	OUTER FLANGE		01
12	0502040240	INNER FLANGE		01
13	0503010856	OIL PLUG R 3/8 BSPT		02







**MARCHESAN**

**Technical Publications | Elaboration and Revision**

LEONARDO JOSÉ DA SILVA SOUZA

[www.marchesan.com.br](http://www.marchesan.com.br)

