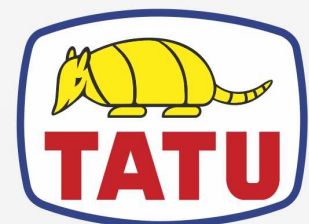


AUXILIARY PRODUCTS

CDPH 1334 - E-2.1/8"

Code: 0501093679
Series: S-0923
Revision: 00
Revision Date: SETEMBRO/2023

PARTS CATALOGUE



MARCHESAN



PRODUCTS

Code	Description
0109030023	CDPH 1334 8 X 32 X 9,00 DR DMO E 2.1/8 S-0923
0109030022	CDPH 1334 8 X 34 X 9,00 DR DMO E 2.1/8 S-0923

ATTENTION: IMPORTANT

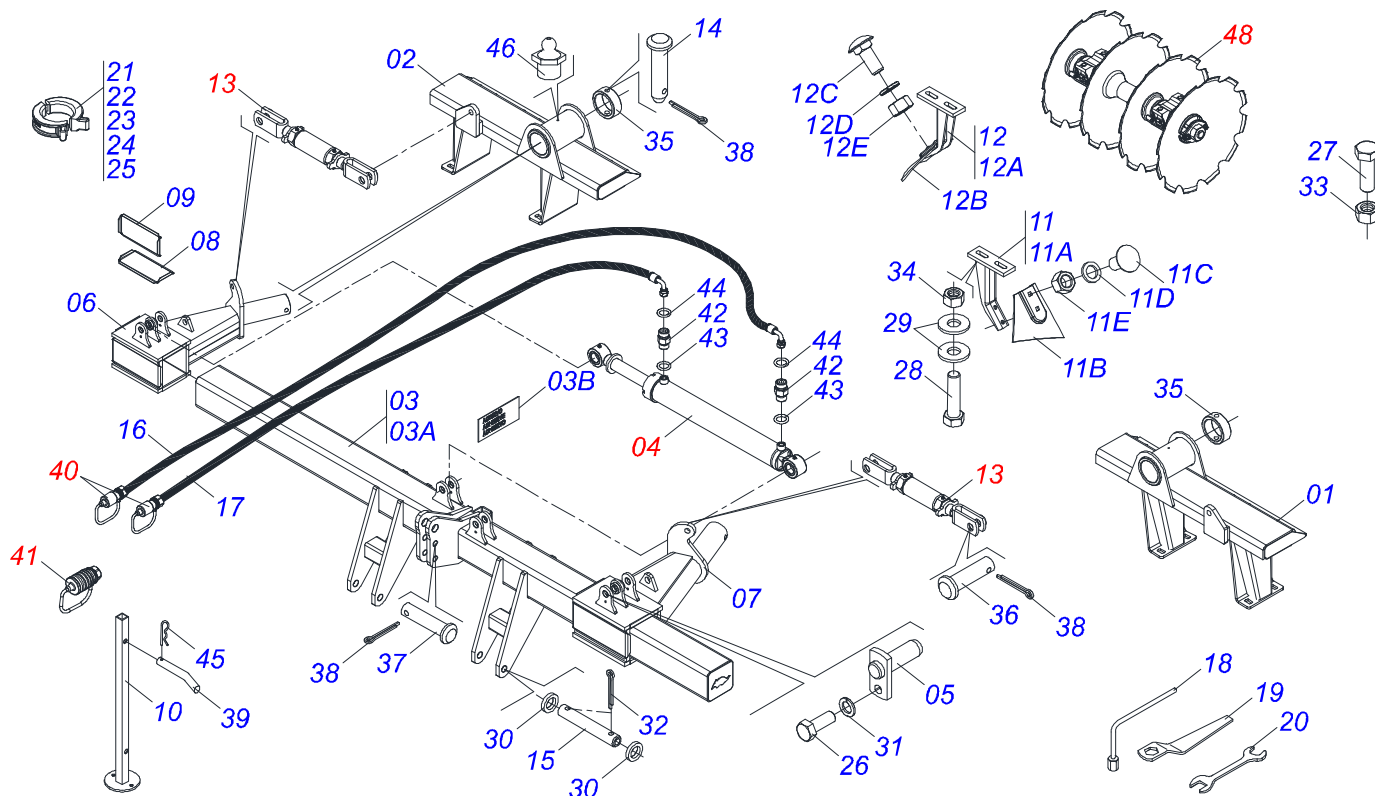
Marchesan S.A. reserves the right to improve and/or modify the technical features of its products, without obligation to do the same with those products already sold and without prior knowledge of the dealer or the customer. The photos are only illustrative.



INDEX

0909096879	ASSY FRAME	1
0511043384	44,45 X 76,2 X1010 X 740 HYDRAULIC CYLINDER	2
0501055311	TURNBUCKLE ASSY R.1.3/4 NC	3
0501053834	MALE QUICK COUPLER	4
0501053835	FEMALE QUICK COUPLER	5
0909096880	DISK SECTION	6
0531041670	330 X 2.1/8 OIL BATH BEARING	7
0531053199	330 X 2.1/8 NAC OIL BATH BEARING	8

ASSY FRAME



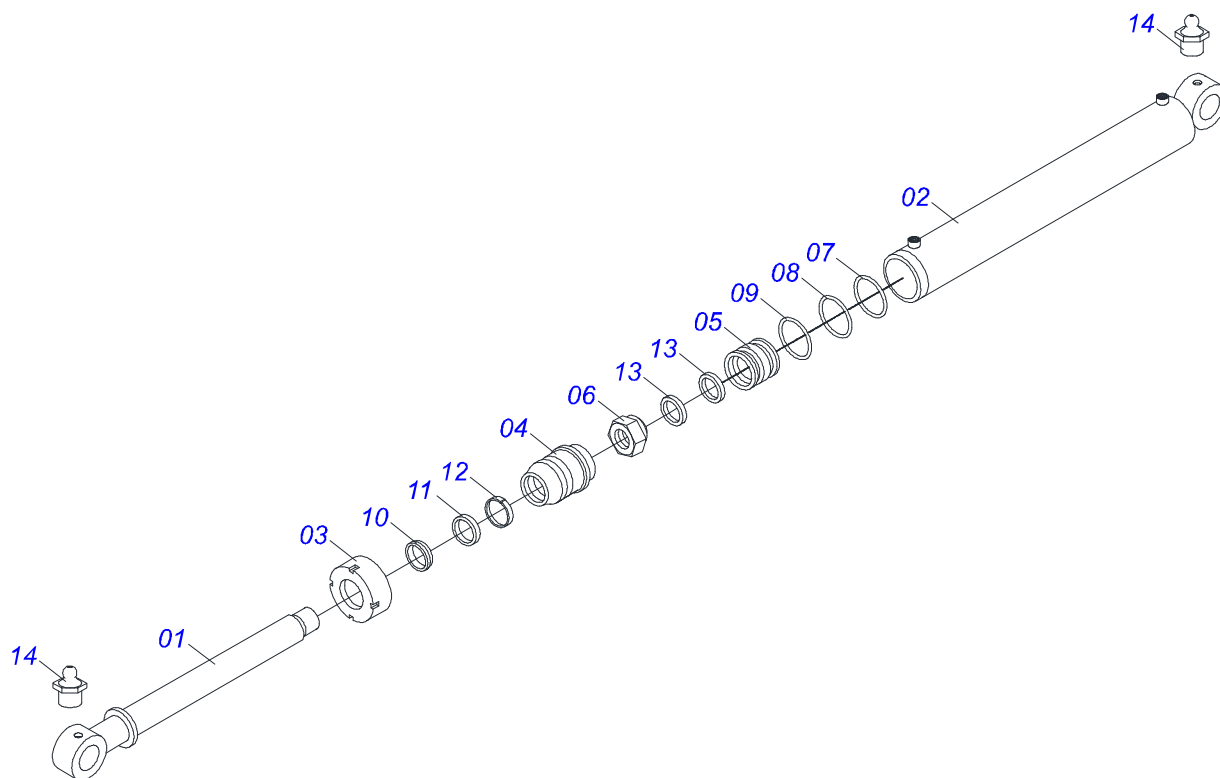
Item	Code	Description	See page	QT
01	0511065533	LEFT DISC FRAME		01
02	0511065532	RIGHT DISC FRAME		01
03	0531050443	SUPPORT WITH LABEL		01
03A	0511066273	FRONT SUPPORT		01
03B	0503061044	ADHESIVE LABEL SET		01
04	0511043384	44,45 X 76,2 X1010 X 740 HYDRAULIC CYLINDER	2	02
05	0511062927	1.5" X 4.9" PIVOT SHAFT		04
06	0511066276	RIGHT FRAME SUPPORT		01
07	0511066275	LEFT FRAME SUPPORT		01
08	0541015495	SUPPORT/LOWER GUIDES FRAME		04
09	0541015497	FRAME SUPPORT LATERAL GUIDE		04
10	0511065529	SUPPORT		01
11	0501054717	FRONT SCRAPER SUPPORT		04
11A	0511064771	FRONT SCRAPER SUPPORT		01
11B	0521013678	FRONT CLEANER		01
11C	0503012195	5/8" NUT		02
11D	0503010027	5/8 SPRING WASHER		02
11E	0503010013	NUT 5/8" UNC G.5 ZN		02
12	0501054718	REAR SCRAPER SUPPORT		04
12A	0511064771	FRONT SCRAPER SUPPORT		01
12B	0521013679	REAR CLEANER		01
12C	0503012195	5/8" NUT		02
12D	0503010027	5/8 SPRING WASHER		02
12E	0503010013	NUT 5/8" UNC G.5 ZN		02
13	0501055311	TURNBUCKLE ASSY R.1.3/4 NC	3	02
14	0541012484	COUPLING SHAFT		02
15	0551011067	COUPLING SHAFT		02
16	0501081000	3/8 X 2400 TC-TM HOSE ASSY		02
17	0501081001	3/8" X 3000 TC-TM HOSE ASSY		02
18	0501061044	2-1/8" AND 2-1/2" CABLE FLAT WRENCH		02
19	0501061045	1" WRENCH CYLINDRICAL		01



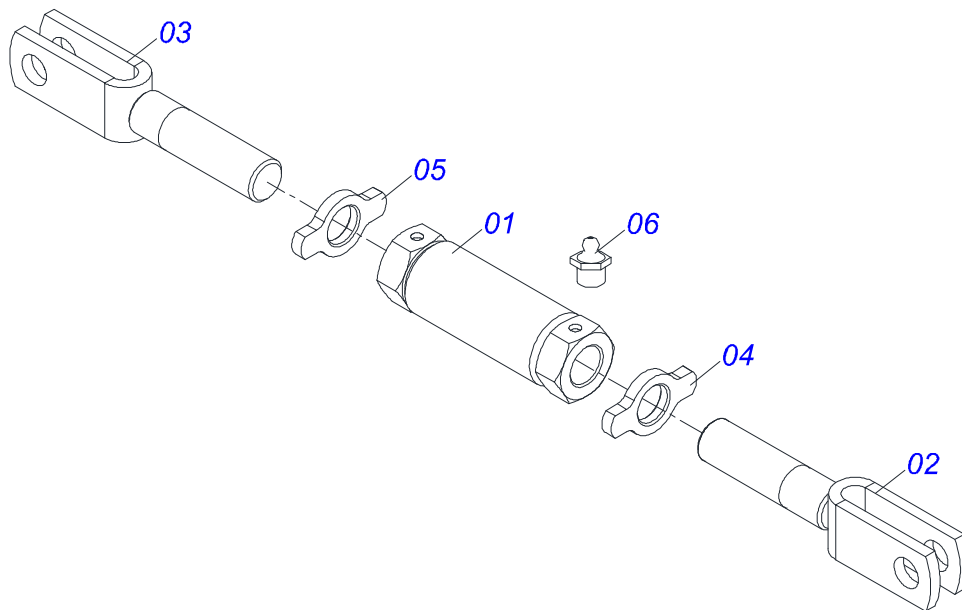
ASSY FRAME

0909096879

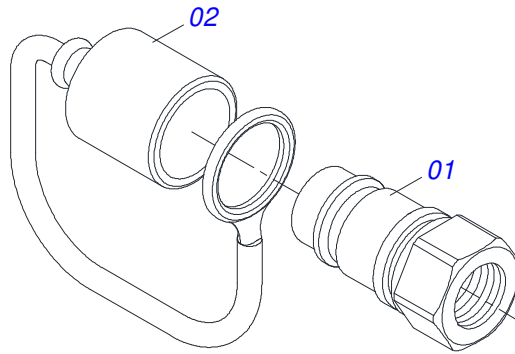
Item	Code	Description	See page	QT
20	0541015451	WRENCH 2.3/8 X 2.3/4		01
21	0501047895	25 ROD STOP		05
22	0501047885	30 ROD STOP		07
23	0501047886	35 ROD STOP		02
24	0501047887	40 ROD STOP		02
25	0501047888	45 ROD STOP		02
26	0503010962	5/8" X 1-1/4" BOLT		04
27	0503012195	5/8" NUT		16
28	0501010500	3/4" X 3" BOLT		16
29	0541010763	FLAT WASHER		32
30	0521011100	FLAT WASHER		04
31	0503010027	5/8 SPRING WASHER		20
32	0503010073	3/8" X 3.1/2" SPLIT PIN		05
33	0503010013	NUT 5/8" UNC G.5 ZN		12
34	0503010014	3/4" HEX NUT		16
35	0541012485	FRAME SLLEVE FIXER 131 X 168 X 60		02
36	0521010779	31.75 X 95 COUPLING SHAFT		04
37	0541014018	UPPER HITCH AXLE		01
38	0503010523	1/4" X 2" SPLIT PIN		06
39	0541012458	CONTROL LOCK		01
40	0501053834	MALE QUICK COUPLER	4	04
41	0501053835	FEMALE QUICK COUPLER	5	04
42	0503030923	3/4" UNF X 13/16UN OFS X 40 NIPPLE		04
43	0503011030	2-014 N 3006-9B O'RING		04
44	0503010190	2-114 N 3006-9B O'RING		04
45	0503031035	HITCH PIN CLIP		01
46	0503010002	1800 GREASE FITTING		02
47	0909096880	DISK SECTION	6	01



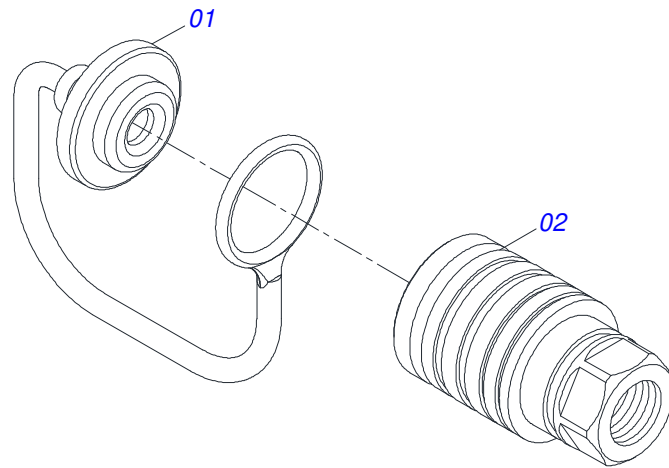
Item	Code	Description	See page	QT
01	0511066278	44,45 X 756 TURNBUCKLE		01
02	0511066277	76,20 X 638 CYLINDER CASE		01
03	0502011899	MOBILE LID		01
04	0502012264	RING SUPPORT 1.75" X 3"		01
05	0502012265	1.75" X 3.0" PISTON		01
06	0503010063	1" SELF-ALIGNING NUT		01
07	0503010343	2-334 N 3006-9B O'RING		01
08	0503010345	2-218 N 3006-9B O'RING		01
09	0503011059	8-334 BACK-UP RING		01
10	0503010761	D-1750 SCRAPER RING		01
11	0503010990	GASKET		01
12	0503010949	W2-2000-500 PK RING G.E		01
13	0503012768	3750-2250 GASKET		02
14	0503010002	1800 GREASE FITTING		02



Item	Code	Description	See page	QT
01	0511062188	R1.3/4" UN ADJUSTMENT NUT		01
02	0511065531	LEFT TURNBUCKLE		01
03	0511065530	RIGHT TURNBUCKLE		01
04	0551010782	RIGHT LOCKNUT R 1.3/4"		01
05	0551010993	LEFT LOCKNUT R 1.3/4"		01
06	0503010002	1800 GREASE FITTING		02

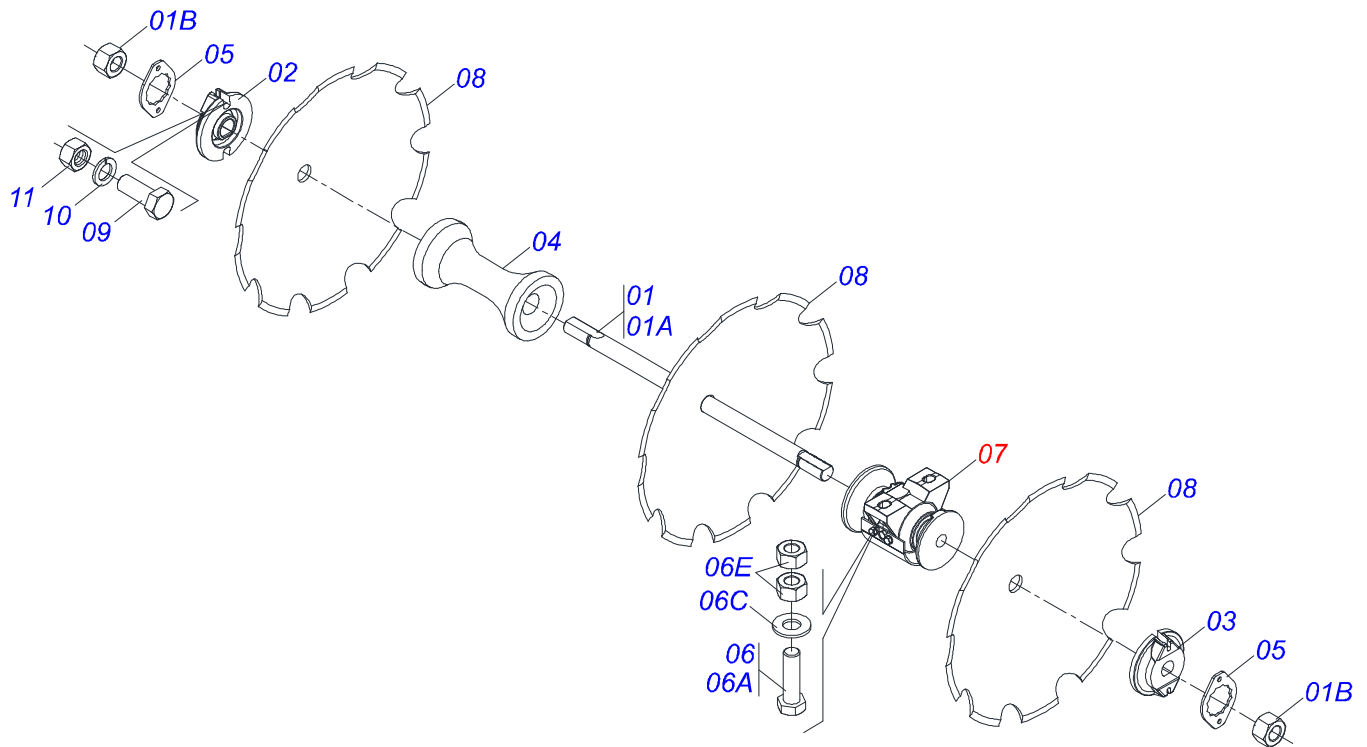


Item	Code	Description	See page	QT
01	0503011627	MALE QUICK COUPLER AGR 1/2 NPT		01
02	0503011882	MALE QUICK COUPLER CAP		01

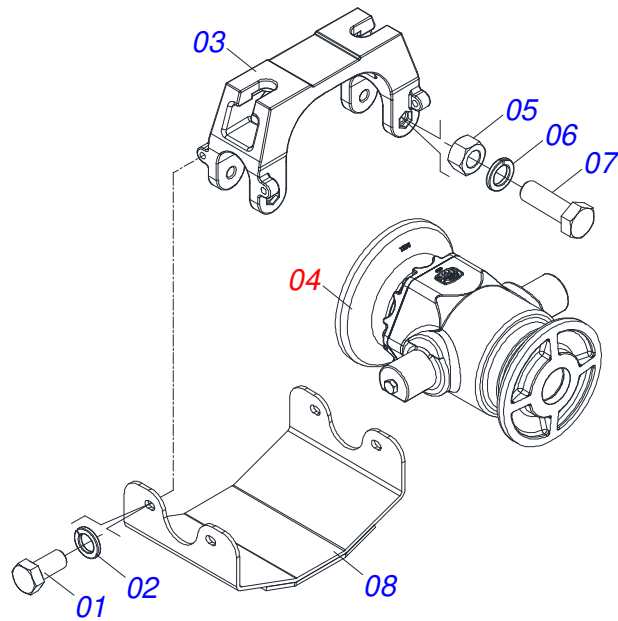


Item	Code	Description	See page	QT
01	0503011883	QUICK CONNECTION COVER		01
02	0503011628	FEMALE QUICK COUPLER		01

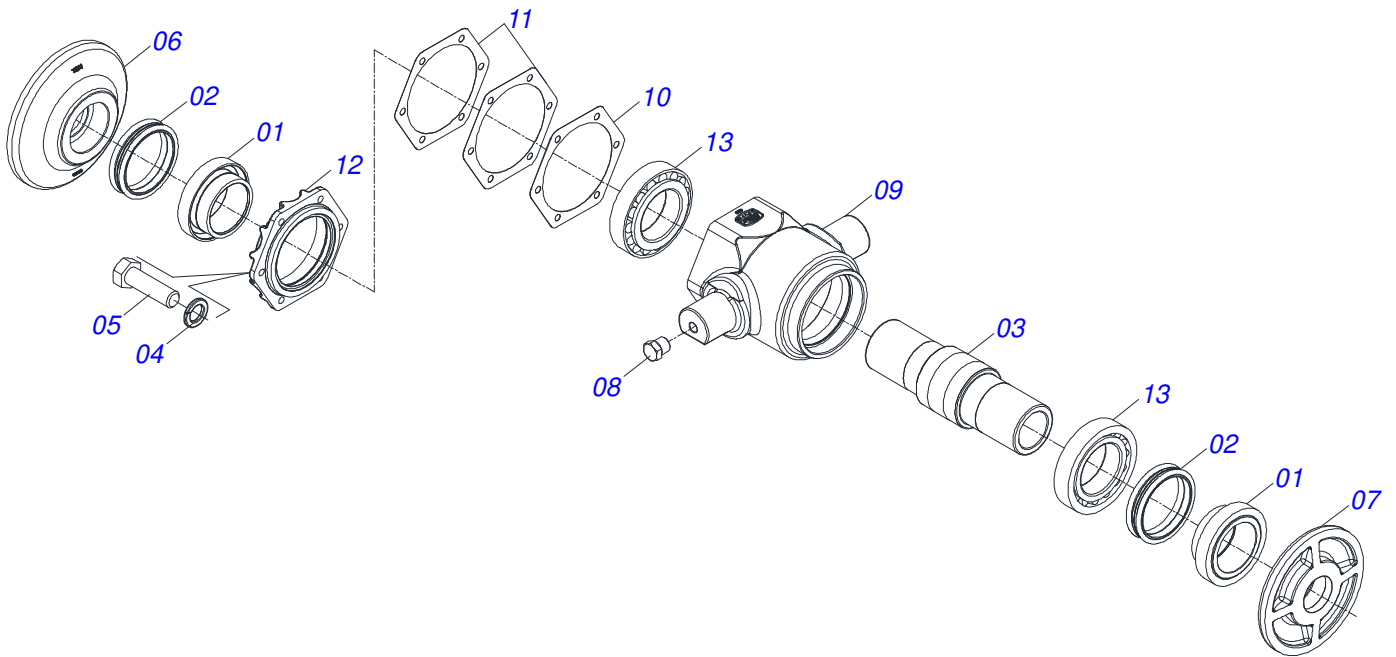
DISK SECTION



Item	Code	Description	See page	QT
01	0501041516	2-1/8" X 49" AXLE WITH NUTS		01
01A	0501013757	2-1/8" X 49" AXLE		01
01B	0502040063	2-1/8" X 54 99 NUT		02
02	0502010594	2-1/8" EXTERNAL AXLE WASHER		02
03	0502010595	2-1/8" INNER AXLE WASHER		02
04	0502010643	13" 2-1/8" SPACER		02
05	0541010368	NUT LOCK		04
06	0531041581	1 X 4 SCREW ASSEMBLY SWING BEARING		08
06A	0503011432	BOLT		01
06B	0541010210	FLAT WASHER		01
06C	0501010059	1.5/8 NUT		02
07	0531041670	330 X 2.1/8 OIL BATH BEARING	7	04
08	0602044001	32" X 0.3" NOTCHED DISC BLADE		08
08.	0602046013	34" X 0.3" NOTCHED DISC BLADE		08
09	0503010232	5/8" X 1.3/4" BOLT		08
10	0503010027	5/8 SPRING WASHER		08
11	0503010013	NUT 5/8" UNC G.5 ZN		08



Item	Code	Description	See page	QT
01	0503010834	1/2 X 1 BOLT		04
02	0503010019	1/2" SPRING WASHER		04
03	0502013011	360 OSCILLATING BEARING SUPPORT (CENTRAL)		01
04	0531053199	330 X 2.1/8 NAC OIL BATH BEARING	8	01
05	0503010013	NUT 5/8" UNC G.5 ZN		02
06	0503010027	5/8 SPRING WASHER		02
07	0503010480	5/8" X 4.3/4" BOLT		02
08	0531063042	OSCILLATING BEARING COVER		01



Item	Code	Description	See page	QT
01	0502040123	SEAL RETAINER		02
02	0503030028	JB-257 SEAL		02
03	0502040034	BEARING AXLE		01
04	0503011443	SPRING WASHER 3/8"		06
05	0503010751	C3/8" X 1.1/4" HEX BOLT G.5		06
06	0502040260	OUTER FLANGE		01
07	0502040261	INNER FLANGE		01
08	0503010856	OIL PLUG R 3/8 BSPT		02
09	0502013012	OSCILLATING AGRICULTURAL BEARING BOX 2.1/8		01
10	0503034044	JOINT		01
11	0503034045	JOINT		02
12	0502012772	BEARING COVER		01
13	0503013324	BALL BEARING		02



MARCHESAN

Technical Publications | Elaboration and Revision

LORENA ROCHA ALVES

www.marchesan.com.br

