

OFFSET DISK HARROW

GAPCW-EP - 30/32/34/40D - AXLE 2.1/8"
GAPCW-EP - 30/32/34/40D - EIXO 2.1/8"

Code: 0501093677
Series: S-0923
Revision: 00
Revision Date: DECEMBER/2023

PARTS CATALOGUE



MARCHESAN



PRODUCTS

Code	Working Width	Description
0102050212		GAPCW-EP 30X30X7,50 DR DMO E 2.1/8 PN400/60 S-0923
0102050211		GAPCW-EP 30X32X9,00 DR DMO E 2.1/8 PN400/60 S-0923
0102050209		GAPCW-EP 32X30X7,50 DR DMO E 2.1/8 PN400/60 S-0923
0102050208		GAPCW-EP 32X32X9,00 DR DMO E 2.1/8 PN400/60 S-0923
0102050207		GAPCW-EP 34X30X7,50 DR DMO E 2.1/8 PN400/60 S-0923
0102050206		GAPCW-EP 34X32X9,00 DR DMO E 2.1/8 PN400/60 S-0923
0102050205		GAPCW-EP 34X34X9,00 DR DMO E 2.1/8 PN400/60 S-0923
0102050214		GAPCW-EP 40X30X7,50 DR DMO E 2.1/8 PN400/60 S-0923
0102050215		GAPCW-EP 40X32X12,00 DR DMO E 2.1/8 PN400/60 S0923
0102050213		GAPCW-EP 40X32X9,00 DR DMO E 2.1/8 PN400/60 S-0923
0102050216		GAPCW-EP 40X34X9 DR DMO E 2.1/8 PN400/60 S-0923

ATTENTION: IMPORTANT

Marchesan S.A. reserves the right to improve and/or modify the technical features of its products, without obligation to do the same with those products already sold and without prior knowledge of the dealer or the customer. The photos are only illustrative.

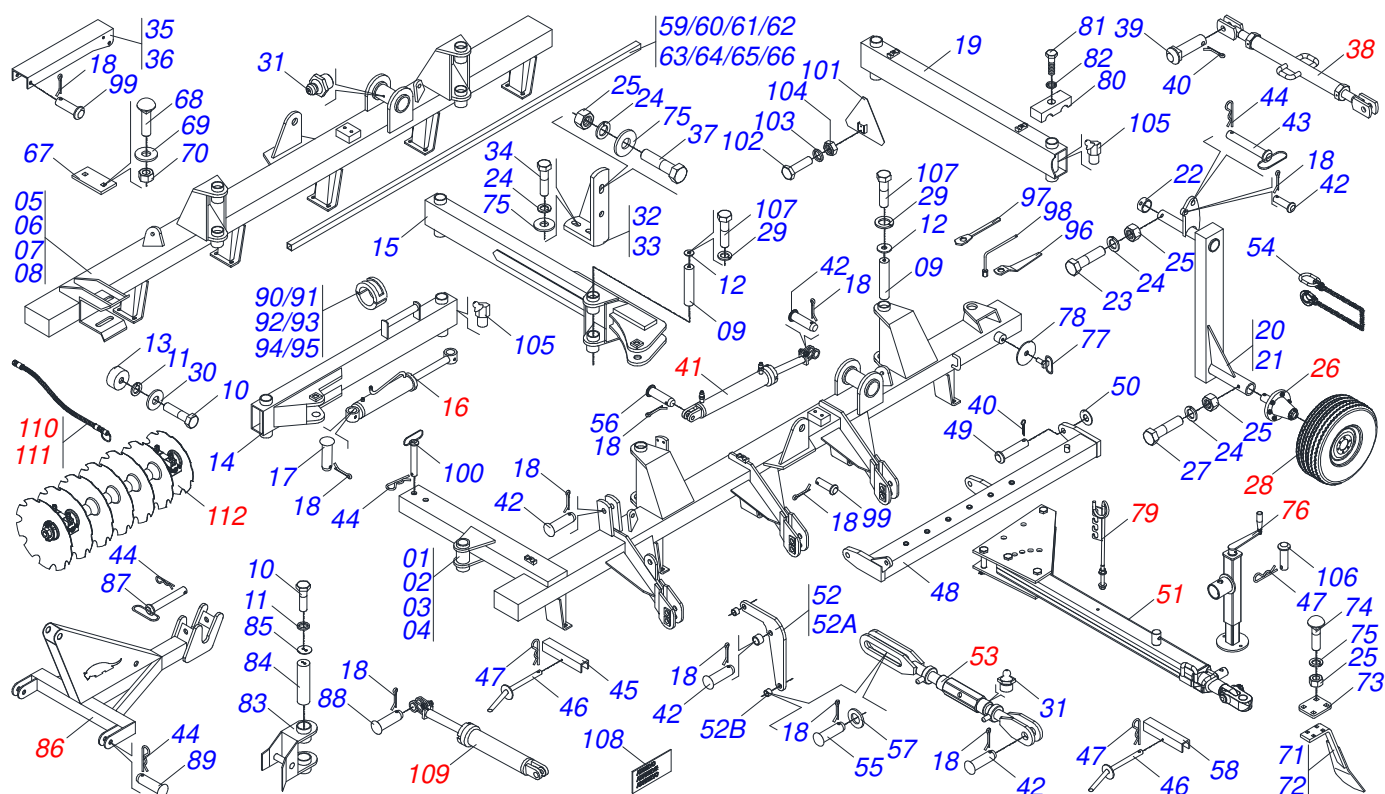


MARCHESAN

INDEX

0909096966	ASSY FRAME	1
0511045489	CILINDRO HIDRAULICO	2
0501051885	CARRYING-WHEELS	3
0501051852	JOINT TURNBUCKLE ASSY	4
0501048744	HYDRAULIC CYLINDER 50,8 X 101,60 X 800 X 400	5
0501048069	DRAWBAR ASSY	6
0511048088	DRAWBAR JACK	7
0501040257	ASSY 3/4 X 38 HOSE SUPPORT	8
0909096967	30/32D - HYDRAULIC CIRCUIT	9
0531052443	FLOW DIVIDING VALVE	10
0511057381	FLOW DIVIDING VALVE	11
0501042903	DISCHARGE VALVE ASSY	12
0501053834	MALE QUICK COUPLER	13
0909096968	34/40D - HYDRAULIC CIRCUIT	14
0909096969	30/32/34/40 - DDISC SECTION	15
0531041671	DMO 330 X 2.1/8 BERIANG	16
0531053200	DMO 330 X 2.1/8 IMP BEARING	17

ASSY FRAME



Item	Code	Description	See page	30	32	34	40
001	0501069509	30 - FRONT FRAME		01	00	00	00
002	0501069311	32 - FRONT FRAME		00	01	00	00
003	0501069511	34 - FRONT FRAME		00	00	01	00
004	0501069513	40 - FRONT FRAME		00	00	00	01
005	0501069510	30 - REAR FRAME		01	00	00	00
006	0501069312	32 - REAR FRAME		00	01	00	00
007	0501069512	34 - REAR FRAME		00	00	01	00
008	0501069514	40 - REAR FRAME		00	00	00	01
009	0521011569	20" COUPLING SHAFT		05	05	05	05
010	0501010108	5/8" X 1" BOLT		03	03	03	03
011	0503010027	5/8 SPRING WASHER		03	03	03	03
012	0521011565	FLAT WASHER		10	10	10	10
013	0521011481	FRAME BATTERY		01	01	01	01
014	0501069324	FRONT STABILIZER BAR		01	01	01	01
015	0501069325	REAR STABILIZER BAR		01	01	01	01
016	0511045489	CILINDRO HIDRAULICO	2	01	01	01	01
017	0521011572	1.5 X 6.8" PIVOT SHAFT		02	02	02	02
018	0503010523	1/4" X 2" SPLIT PIN		12	12	12	12
019	0501069328	JOIN		01	01	01	01
020	0501069353	RIGHT CARRYING-WHEELS SUPPORT		01	01	01	01
021	0501069354	LEFT CARRYING-WHEELS SUPPORT		01	01	01	01
022	0521011428	4.5" X 5.5" X 1.6" SLEEVE		02	02	02	02
023	0503010964	BOLT		02	02	02	02
024	0503010019	1/2" SPRING WASHER		60	60	60	60
025	0503010060	1/2 UNC G.5 ZN HEX NUT		65	67	73	85
026	0501051885	CARRYING-WHEELS	3	02	02	02	02
027	0503010547	1/2" X 4" BOLT		02	02	02	02
028	0503060102	WHEEL AND TIRE 400/60 - 14L RIGHT		02	02	02	02
029	0503010012	1" SPRING WASHER		02	02	02	02
030	0501012140	FLAT WASHER 16,50 X 40 X 4,00 ZN		01	01	01	01



ASSY FRAME

0909096966

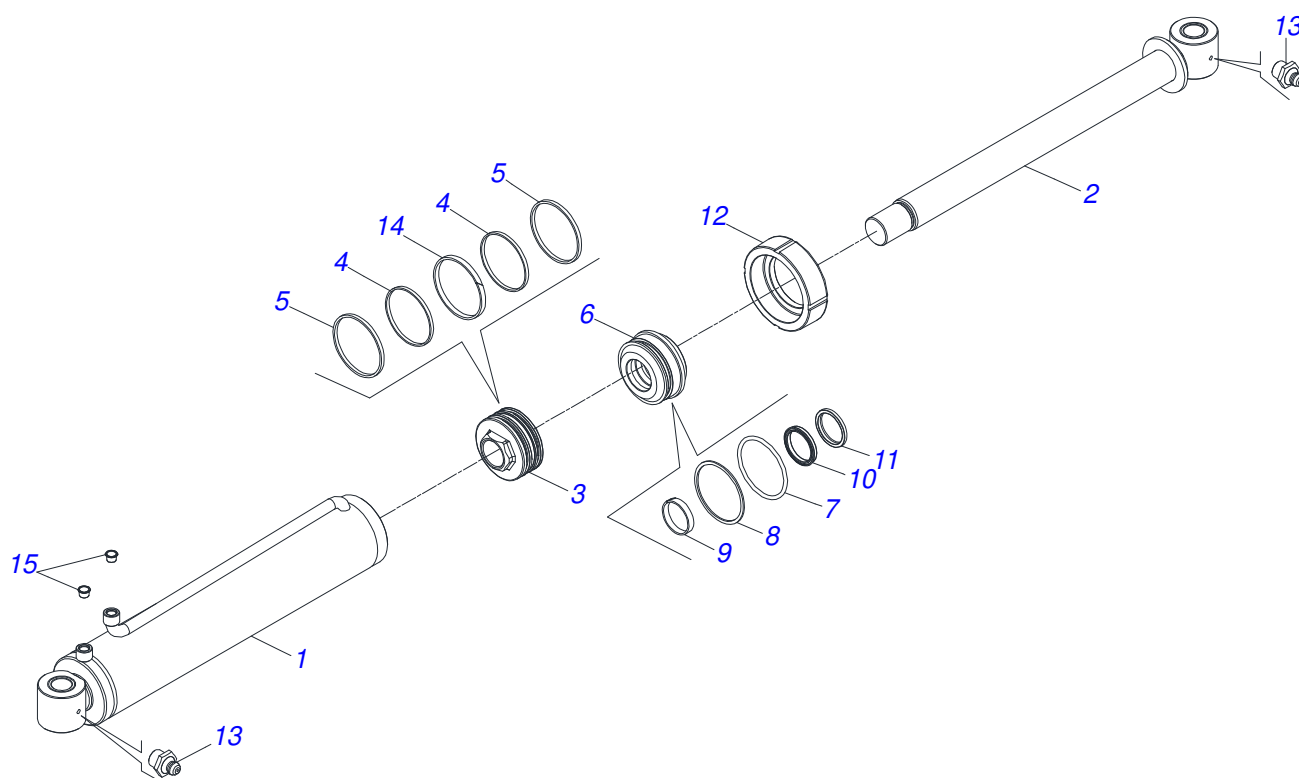
Item	Code	Description	See page	30	32	34	40
031	0503010002	1800 GREASE FITTING		04	04	04	04
032	0501069366	RIGHT TRANSPORT LOCK SUPPORT		01	01	01	01
033	0501069367	LEFT TRANSPORT LOCK SUPPORT		01	01	01	01
034	0503010395	1/2" X 1-1/4" BOLT		04	04	04	04
035	0501069345	LEFT LOCK WHEEL SUPPORT		01	01	01	01
036	0511060342	RIGHT LOCK WHEEL SUPPORT		01	01	01	01
037	0503010920	1/2 UNC X 1.1/2 C S G.5 ZN BOLT		04	04	04	04
038	0501051852	JOINT TURNBUCKLE ASSY	4	01	01	01	01
039	0521012868	1.4" X 5" PIVOT SHAFT		02	02	02	02
040	0503010534	3/8" X 2.1/2" SPLIT PIN		09	09	09	09
041	0501048744	HYDRAULIC CYLINDER 50,8 X 101,60 X 800 X 400	5	02	02	02	02
042	0521012538	1.2" X 3.5" COUPLING SHAFT		05	05	05	05
043	0501069348	1.1/16 X 180 HITCH AXLE		02	02	02	02
044	0503030012	HITCH PIN CLIP		03	03	03	03
045	0521011567	TRANSPORT LOCK		02	02	02	02
046	0501068994	8,30 X 78 LOCK PIN		03	03	03	03
047	0503030168	HITCH PIN CLIP		03	04	03	04
048	0521066772			01	01	01	01
049	0521012869	COUPLING SHAFT		03	03	03	03
050	0521011721	1.6" X 3.94" X 0.12" WASHER		06	06	06	06
051	0501048069	DRAWBAR ASSY	6	01	01	01	01
052	0501110518	DRAWBAR PIVOT		01	01	01	01
052A	0501069430	DRAWBAR PIVOT		01	01	01	01
052B	0511019920	SLEEVE 32,70 X 38,80 X 25,40		03	03	03	03
053	0501051853	STABILIZER DRAWBAR		01	01	01	01
054	0503013150	1300 X 3/8" CHAIN		01	01	01	01
055	0501019649	1.2" X 2.9" COUPLING SHAFT		01	01	01	01
056	0521010779	31.75 X 95 COUPLING SHAFT		01	01	01	01
057	0501017779	FLAT WASHER 32 X 60 X 4,75		04	04	04	02
058	0511010420	8.5" X 1.8" TRANSPORT LOCK		01	01	01	01
059	0521012261	196.5" FRONT SCRAPER TUBE		01	00	00	00
060	0521011854	210.2" FRONT SCRAPER TUBE		00	01	00	00
061	0521012263	224" FRONT SCRAPER TUBE		00	00	01	00
062	0521012265	131.9" FRONT SCRAPER TUBE		00	00	00	01
063	0521012262	207.5" REAR SCRAPER TUBE		01	00	00	00
064	0521011855	221.2" REAR SCRAPER TUBE		00	01	00	00
065	0521012264	235" REAR SCRAPER TUBE		00	00	01	00
066	0521012266	137.8" REAR SCRAPER TUBE		00	00	00	01
067	0521011566	FIXER PLATE TUBE CLEANER		12	12	12	12
068	0501010162	3/4" X 4" BOLT		24	24	24	24
069	0501010322	20,50 X 46 X 4,00 ZN FLAT WASHER		24	24	24	24
070	0503010014	3/4" ZN G.5 (HEAVY) UNC HEX NUT		26	26	26	26
071	0501069486	FRONT SCRAPER		15	16	17	20
072	0501069489	REAR SCRAPER		15	16	17	20
073	0521011774	FIXER PLATE CLEANER		30	32	34	40
074	0503012110	1/2" X 3-3/4" BOLT		60	64	68	80
075	0511017302	FLAT WASHER 13,50 X 32,50 X 3,0 ZN		65	69	73	85
076	0511048088	DRAWBAR JACK	7	01	01	01	01
077	0501069343	WRENCH FIXER		01	01	01	01
078	0521011722	FLAT WASHER		01	01	01	01
079	0501040257	ASSY 3/4 X 38 HOSE SUPPORT	8	01	01	01	01
080	0502012702	BODY SUPPORT CLAMP		05	05	05	05
081	0503012555	SCREW 7/16 UNC X 2 CS RT G.7 ZN		05	05	05	05
082	0503010180	7/16" SPRING WASHER		05	05	05	05
083	0501069369	DRAWBAR TRANSPORT COMPLEMENT		01	01	01	01
084	0501069370	LOCK BUSHING		01	01	01	01
085	0521011615	WASHER		02	02	02	02



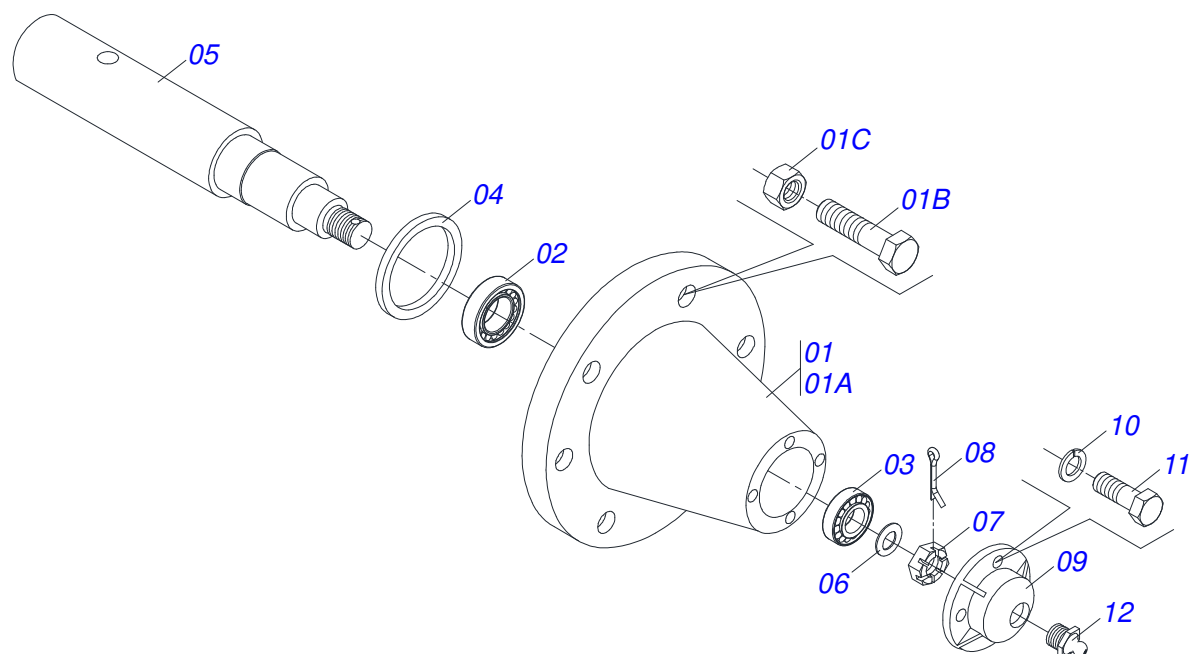
ASSY FRAME

0909096966

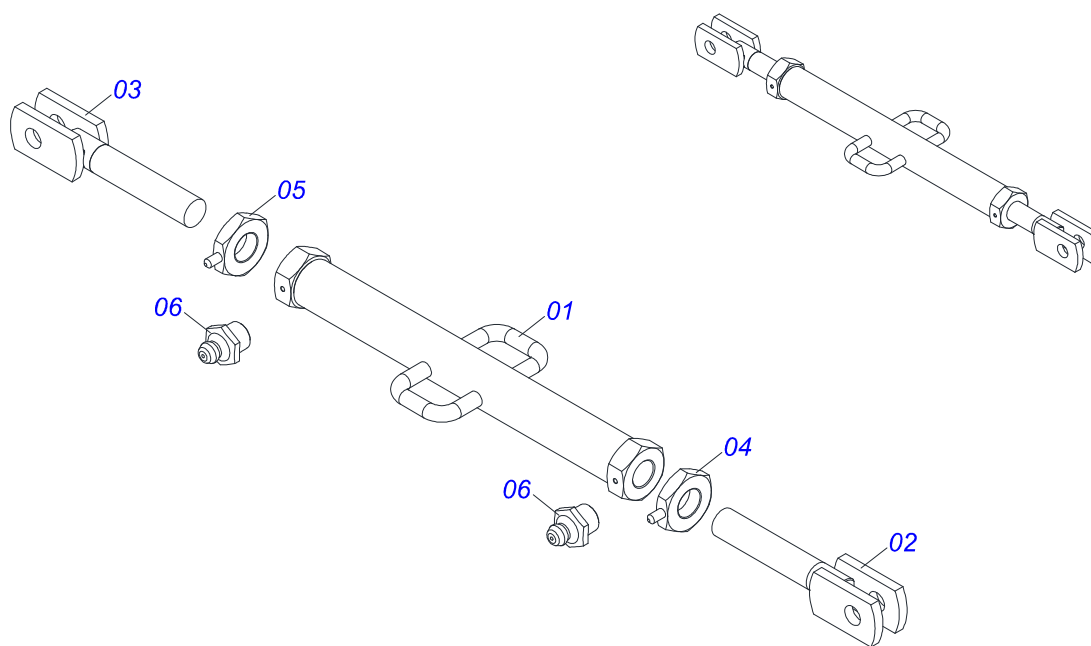
Item	Code	Description	See page	30	32	34	40
086	0501069368	TRANSPORT DRAWBAR		01	01	01	01
087	0501069466	1.1/16 X 160 HITCH AXLE		01	01	01	01
088	0511019521	1.5" X 1.4" PIVOT SHAFT		02	02	02	02
089	0521014091	LOWER AXLE HITCH		02	02	02	02
090	0511042161	2.1/2" ROD STOP ASSY		01	01	01	01
091	0511042162	2.1/2" ROD STOP ASSY		01	01	01	01
092	0511042163	2.1/2" ROD STOP ASSY		01	01	01	01
093	0511042164	2.1/2" ROD STOP ASSY		01	01	01	01
094	0511042165	2.1/2" ROD STOP ASSY		01	01	01	01
095	0511042166	2.1/2" ROD STOP ASSY		01	01	01	01
096	0501011432	1-1/2" AND 1-5/8 GANG BOLT WRENCH		01	01	01	01
097	0501316941			02	02	02	02
098	0501061045	1" WRENCH CYLINDRICAL		01	01	01	01
099	0531013655	1.2" X 6.9" COUPLING SHAFT		02	02	02	02
100	0501069350	230 PIVOT SHAFT WITH PULL		01	01	01	01
101	0511061626	SLOW-MOVING VEHICLE EMBLEM		01	01	01	01
102	0503010519	1/4" X 5/8" BOLT		02	02	02	02
103	0503010143	1/4" SPRING WASHER		07	07	07	07
104	0503010144	1/4" NUT		05	05	05	05
105	0503010003	1845 GREASE FITTING		02	02	02	02
106	0561014251	COUPLING SHAFT		01	01	01	01
107	0503012660	1" X 4" BOLT		10	10	10	10
108	0503032128	ADHESIVE LABEL		01	01	01	01
109	0511058424	HYDRAULIC CYLINDER		01	01	01	01
110		30/32D - HYDRAULIC CIRCUIT	9				
111		34/40D - HYDRAULIC CIRCUIT	14				
112		30/32/34/40 - DDISC SECTION	15				



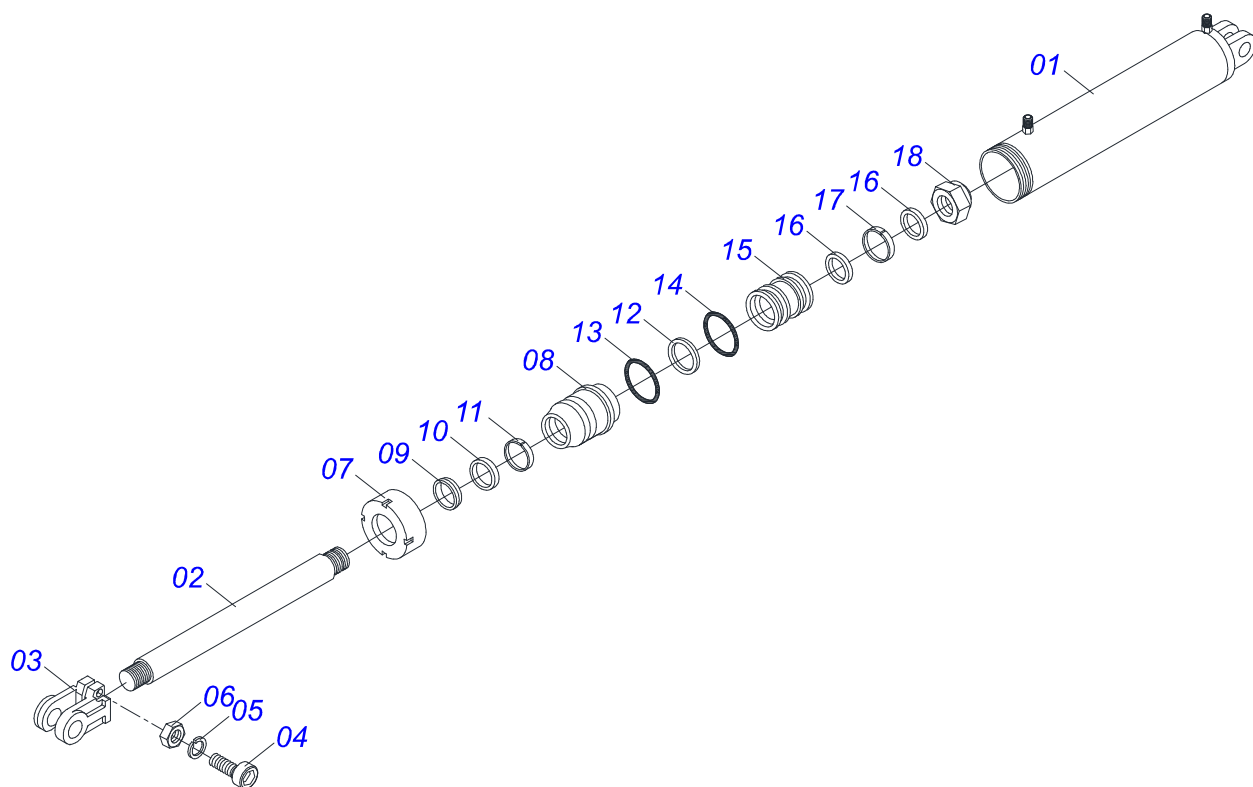
Item	Code	Description	See page	QT
01	0511068001	127 X 783 CYLINDER CASE		01
02	0511068088	63,50 X 787 TURNBUCKLE		01
03	0502011563	PISTON		01
04	0503012593	RUBBER RING		02
05	0503012592	RING (TEFLON)		02
06	0502010966	2.5" X 5" RING SUPPORT		01
07	0503010351	2-425 N 3006-9B O'RING		01
08	0503011062	8-425 BACK-UP RING		01
09	0503010971	W2-2750-500 PK RING G.I		01
10	0503010288	PACKING 2500-2500-375-B		01
11	0503010287	D-2500 SCRAPER RING		01
12	0502010382	5" END CAP		02
13	0503012590	SEAL RING		02
14	0503012590	SEAL RING		01
15	0503030384	CON PLUG N-001		02



Item	Code	Description	See page	QT
01	0501110738	CARRYING WHEEL HUB 21FT		01
01A	0502012260	TRANSPORT CARRYING-WHEEL HUB		01
01B	0503010064	5/8 UNF CONIC NUT		08
01C	0501010186	WHEEL BOLT 5/8"UNF X 2.1/8CR		08
02	0503011156	2780/2720 IMP ROLLER BEARING		01
03	0503010008	3780/3720 ROLLER BEARING		01
04	0503013314	RETAINER 5166-GB 63,5 X 110 X 13 ARCA		01
05	0511012494	SPINDLE		01
06	0511012492	FLAT WASHER		01
07	0503030009	1" CASTLE NUT		01
08	0503010018	5/32" X 1-1/2" SPLIT PIN		01
09	0502020591	PROTECCION COVER		01
10	0503011444	SPRING WASHER 5/16"		04
11	0503010358	5/16" X 5/8" BOLT		04
12	0503010002	1800 GREASE FITTING		01

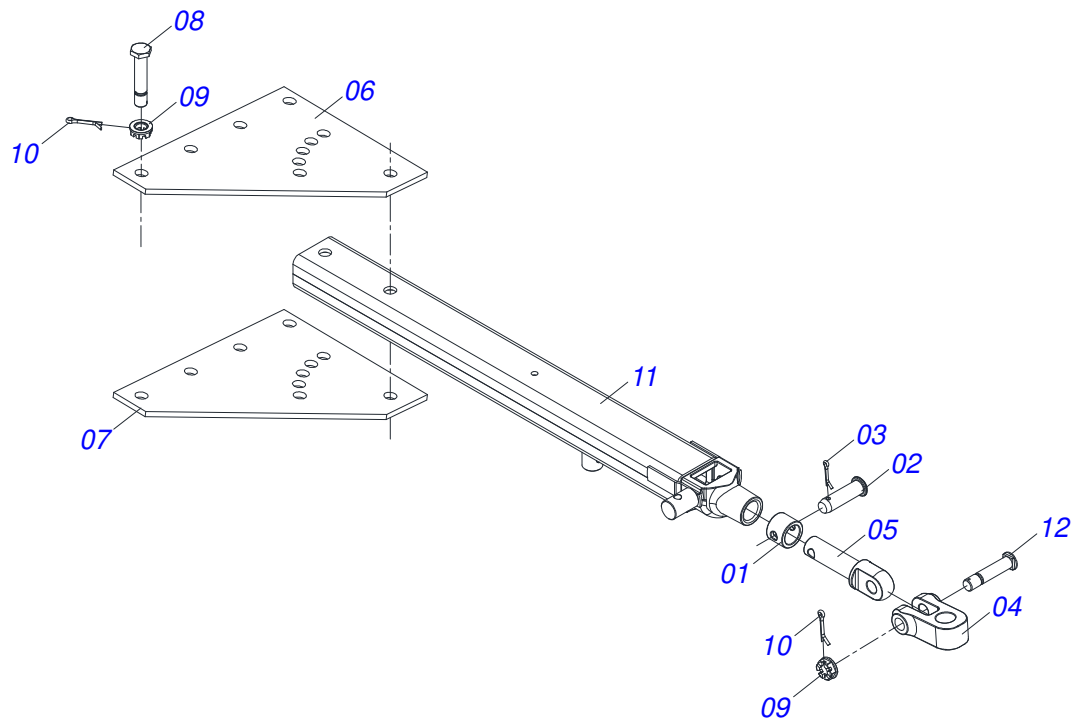


Item	Code	Description	See page	QT
01	0501069332	JOIN TURNBUCKLE		01
02	0501069333	JACK CRANK		01
03	0501069334	JACKET		01
04	0501069330	LOCKNUT WITH RIGHT HANDLER R 2-1/8		01
05	0501069331	LOCKNUT WITH LEFT HANDLER R 2-1/8		01
06	0503010002	1800 GREASE FITTING		02



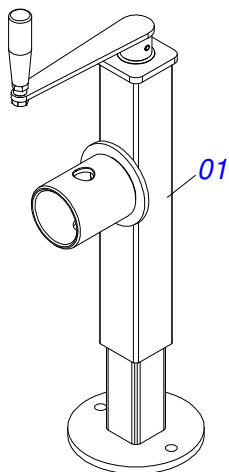
Item	Code	Description	See page	QT
01	0511060448	4" X 23,4" CYLINDER CASE		01
02	0501018530	2" X 26" TURNBUCKLE		01
03	0502040747	32.54 CLEVIS CLAMP		01
04	0503011094	BOLT 3/8" UNC X 2" C C S I 12.9		01
05	0503010025	3/8 SPRING WASHER		01
06	0503010026	3/8" NUT		01
07	0502010017	4" LID		01
08	0502010778	2" X 4.2" RING SUPPORT		01
09	0503010039	D-2000 SCRAPER RING		01
10	0503010991	1870-2000-375-B GASKET		01
11	0503010952	W2-2250-500 RING		01
12	0503011061	8-342 BACK-UP RING		01
13	0503010338	2-342 N 3006-9B O'RING		01
14	0503010345	2-218 N 3006-9B O'RING		01
15	0502010992	2.0" X 4.0" PISTON		01
16	0503010043	PACKING 3750-3250		02
17	0503010994	W2-4000-500 PK RING G.E		01
18	0503010817	SELF LOCKING NUT 1.1/4 UNF ALTA G.5 ZN		01
19	0501031799	HYDRAULIC CYLINDER REPAIR KIT		01

DRAWBAR ASSY

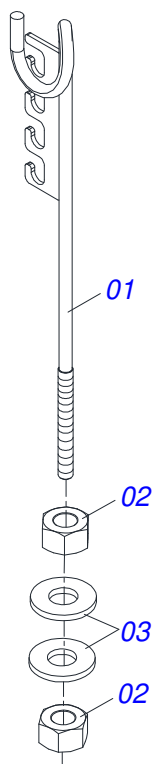


Item	Code	Description	See page	QT
01	0502040327	HITCH LOCK RING		01
02	0511014902	COUPLING SHAFT		01
03	0503010571	1/4" X 1.1/2" SPLIT PIN		01
04	1902040733	U COUPLING HOOK		01
05	0502040223	DRAWBOLT		01
06	0501069320	UPPER PLATE WITH WASHER		01
07	0501069321	LOWER PLATE WITH WASHER		01
08	0521012053	1.5" X 8.6" AXLE		06
09	0501011301	1.1/2" UNC 6FPP 2.5/16" NUT		07
10	0503010010	SPLIT PIN 1/4" X 2.1/2"		07
11	0501069323	TRACTION BAR		01
12	0521012545	COUPLING SHAFT		01

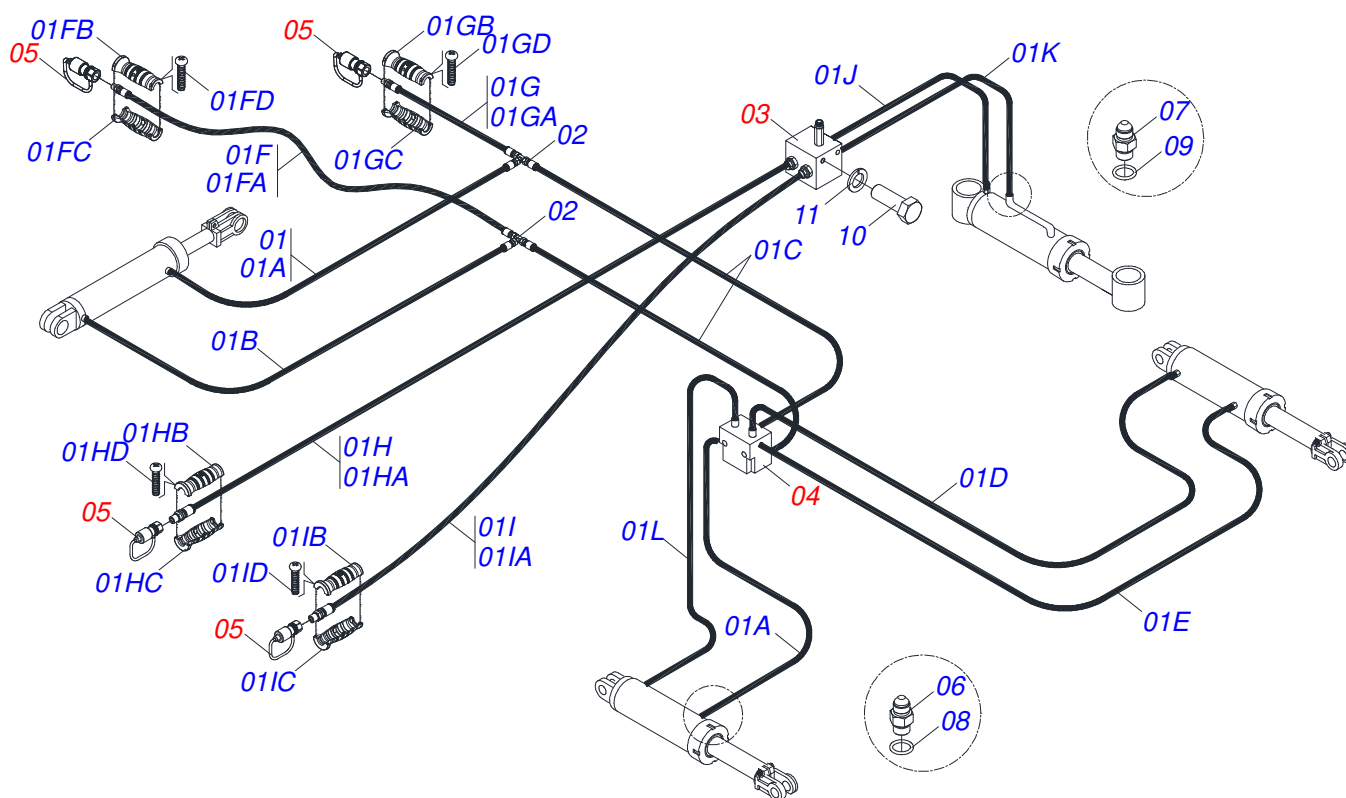
DRAWBAR JACK



Item	Code	Description	See page	QT
01	0503062227	DRAWBAR JACK		01



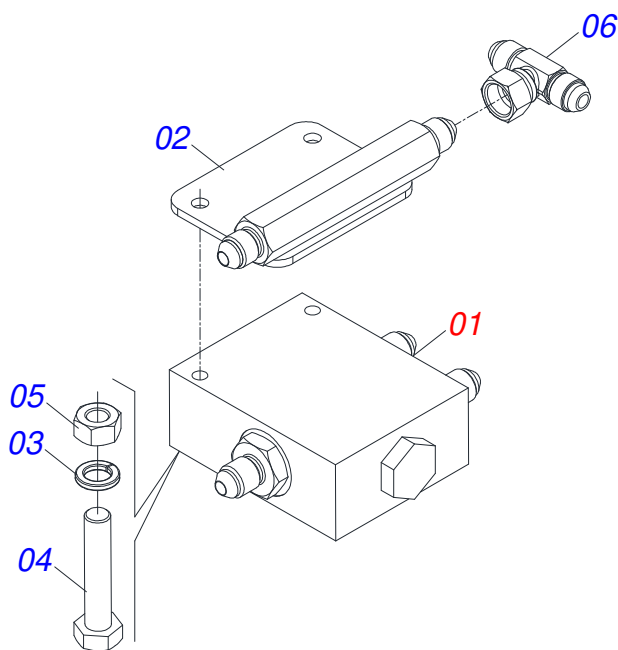
Item	Code	Description	See page	QT
01	0511067334	HOSE SUPPORT		01
02	0503010014	3/4" ZN G.5 (HEAVY) UNC HEX NUT		02
03	0501010322	20,50 X 46 X 4,00 ZN FLAT WASHER		02



Item	Code	Description	See page	QT
01	0501053699	HOSE SET		01
01A	0501080191	3/8" X 18" TC-TC HOSE ASSY		02
01B	0501080406	3/8" X 23" TR-TC HOSE		01
01C	0501080431	TR-TC HOSE ASSY		02
01D	0501080578	3/8" X 157" TC-TC HOSE		01
01E	0501080605	3/8" X 160" TR-TC HOSE ASSY		01
01F	0521055988	3/8" X 169" TR-TM BLACK/RED HOSE		01
01FA	0501080405	3/8" X 169" TR-TM HOSE		01
01FB	0503034492	HYDRAULIC HOSE GRIP (BLACK)		01
01FC	0503034495	HYDRAULIC HOSE GRIP (RED)		01
01FD	0503018952	PH 2,5 X 10 ZB PLASTIC BOLT		06
01G	0521055989	3/8" X 169" TR-TM BLACK/BLUE HOSE		01
01GA	0501080405	3/8" X 169" TR-TM HOSE		01
01GB	0503034492	HYDRAULIC HOSE GRIP (BLACK)		01
01GC	0503034494	HYDRAULIC HOSE GRIP (BLUE)		01
01GD	0503018952	PH 2,5 X 10 ZB PLASTIC BOLT		06
01H	0521054609	HOSE TR-TM		01
01HA	0501080005	1/2 X 5500 TR-TM HOSE		01
01HB	0503034491	HYDRAULIC HOSE GRIP (PURPLE)		01
01HC	0503034495	HYDRAULIC HOSE GRIP (RED)		01
01HD	0503018952	PH 2,5 X 10 ZB PLASTIC BOLT		06
01I	0521054611	HOSE TR-TM		01
01IA	0501080005	1/2 X 5500 TR-TM HOSE		01
01IB	0503034491	HYDRAULIC HOSE GRIP (PURPLE)		01
01IC	0503034494	HYDRAULIC HOSE GRIP (BLUE)		01
01ID	0503018952	PH 2,5 X 10 ZB PLASTIC BOLT		06
01J	0501080123	1/2 X 800 TR-TC HOSE ASSY		01
01K	0501080057	HOSE 1/2 X 900 TR-TC		01
01L	0501080054	3/8" X 17" TR-TC HOSE ASSY		01
02	0503011271	3/4" UNF "T" CONNECTION T 3 SIDES		02

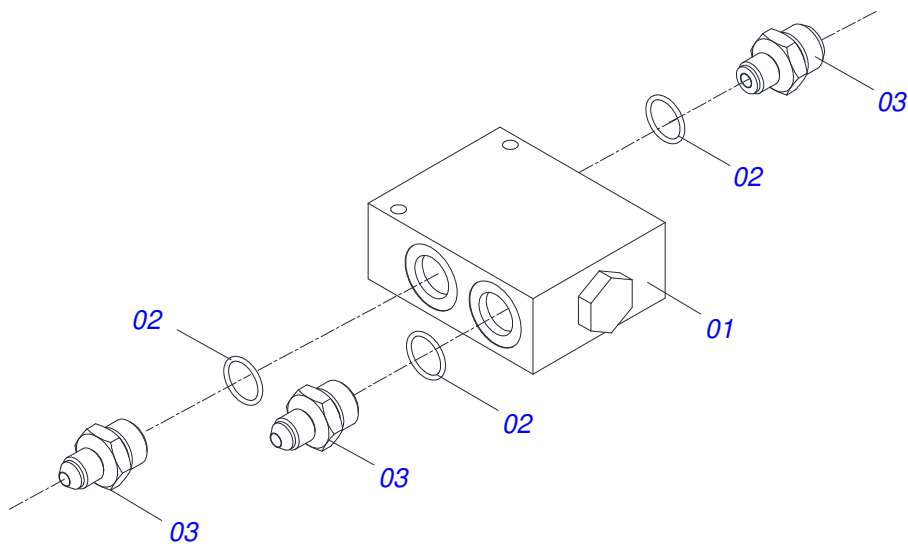


Item	Code	Description	See page	QT
03	0531052443	FLOW DIVIDING VALVE	10	01
04	0501042903	DISCHARGE VALVE ASSY	12	01
05	0501053834	MALE QUICK COUPLER	13	04
06	0501010617	NIPPLE 3/4" NF X 3/4" NF HEX. 7/8" X 44		04
07	0501010590	NIPPLE		02
08	0503010190	2-114 N 3006-9B O'RING		04
09	0503010045	O'RING		02
10	0503010237	3/8" X 1" BOLT		02
11	0503010025	3/8 SPRING WASHER		02



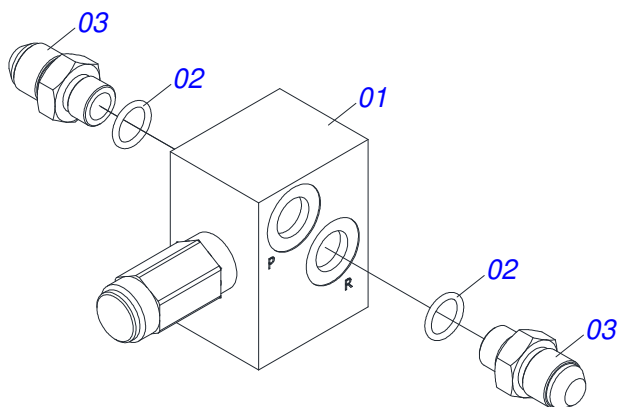
Item	Code	Description	See page	QT
01	0511057381	FLOW DIVIDING VALVE	11	01
02	0521066121	OIL TUBE		01
03	0503010179	LOCK WASHER 5/16 ZN 1K01528		02
04	0503011053	5/16" X 3" C S 6.5 ZN BOLT		02
05	0503010337	NUT 5/16 UNC G.5 ZN		02
06	0503037376	3/4" T ADAPTER WITH SWIVEL NUT		01

FLOW DIVIDING VALVE

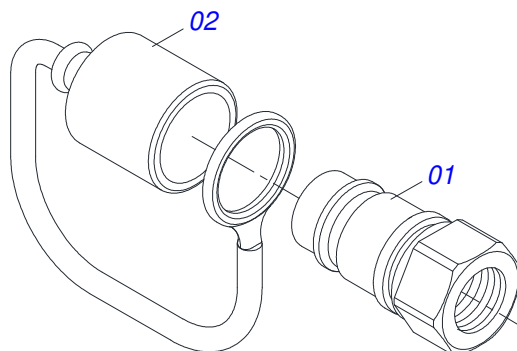


Item	Code	Description	See page	QT
01	0503016227	FLOW DIVIDING VALVE		01
02	0503011109	O'RING 2-119 N 3006 9B		03
03	0521014704	HOSE NIPPLE 3/4 UNF		03

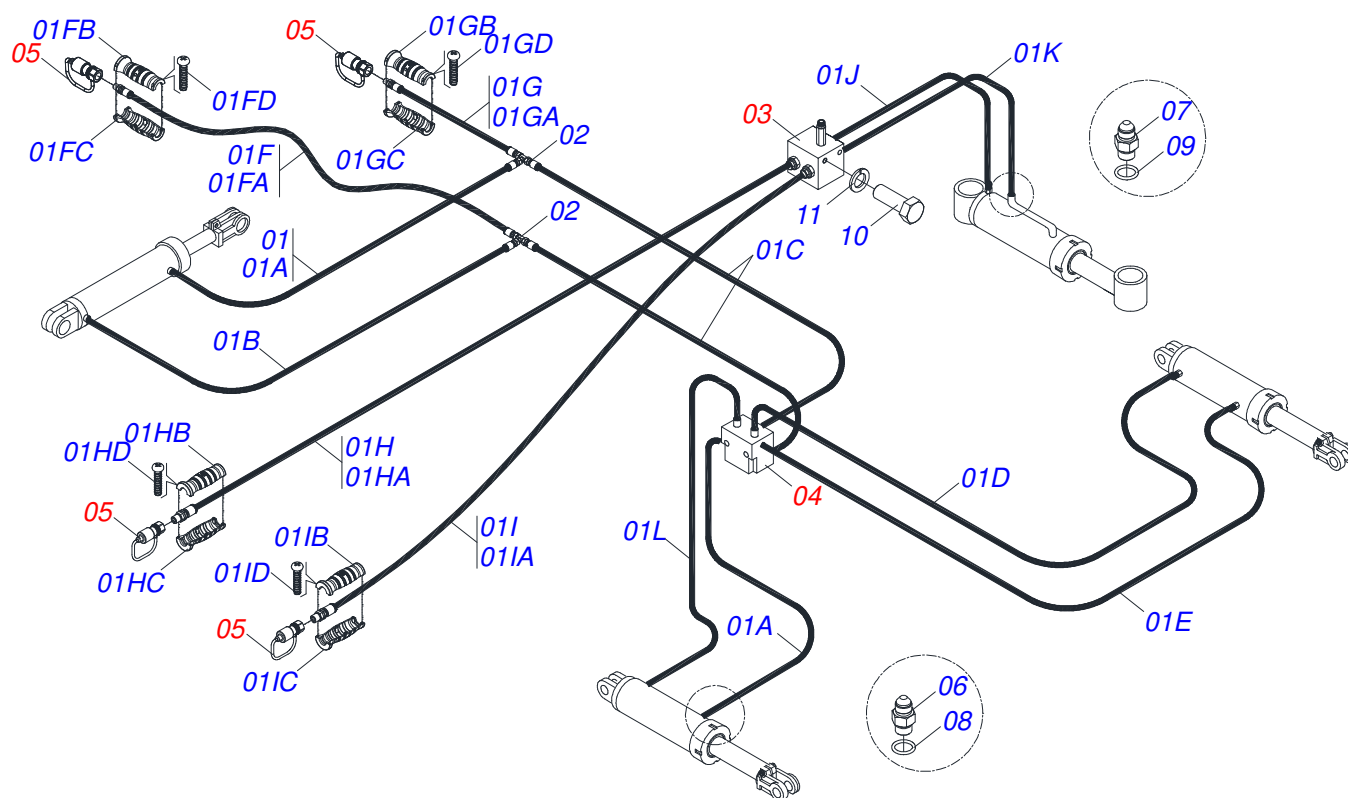
DISCHARGE VALVE ASSY



Item	Code	Description	See page	QT
01	0503010919	DISCHARGE VALVE		01
02	0503010190	2-114 N 3006-9B O'RING		04
03	0501011460	7/8 NF REDUCTION NIPPLE		04



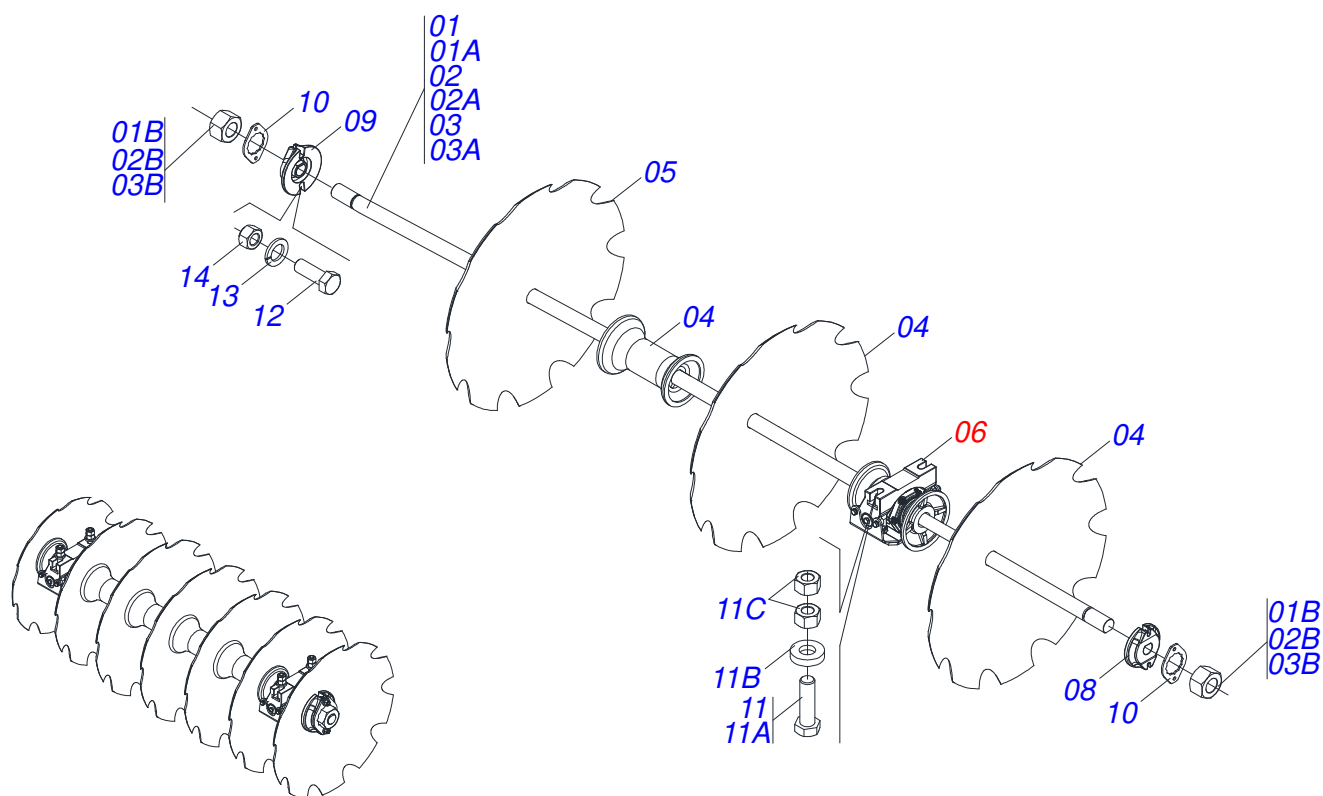
Item	Code	Description	See page	QT
01	0503011627	MALE QUICK COUPLER AGR 1/2 NPT		01
02	0503011882	MALE QUICK COUPLER CAP		01



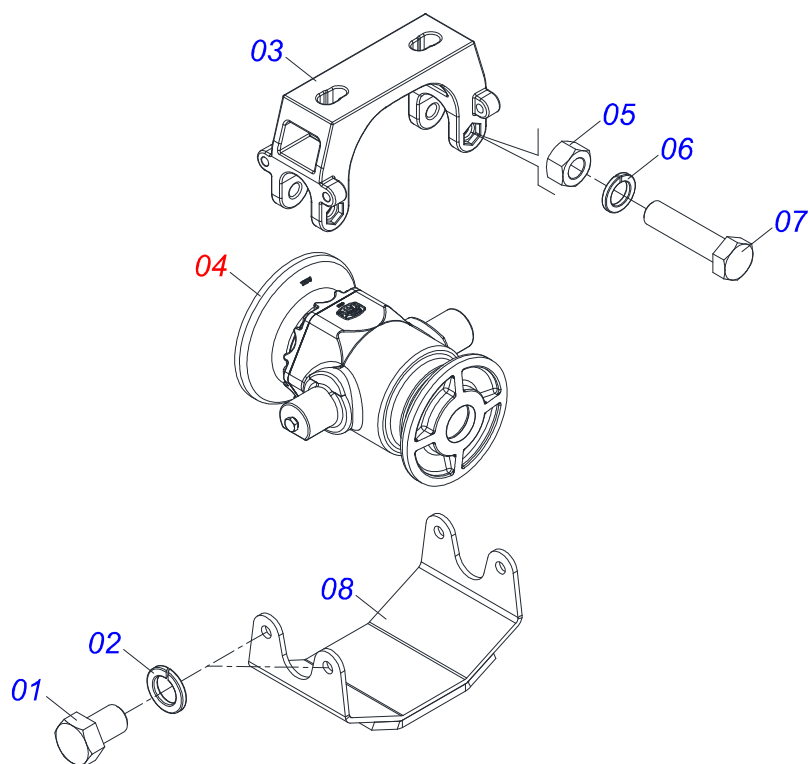
Item	Code	Description	See page	QT
01	0501053700	HOSE SET		01
01A	0501080191	3/8" X 18" TC-TC HOSE ASSY		02
01B	0501080406	3/8" X 23" TR-TC HOSE		01
01C	0501080431	TR-TC HOSE ASSY		02
01D	0501080578	3/8" X 157" TC-TC HOSE		01
01E	0501080435	3/8" X 141" TR-TC HOSE		01
01F	0531055152	3/8" X 236" TR-TM BLACK/BLUE HOSE		01
01FA	0501082444	3/8" X 236" TR-TM HOSE		01
01FB	0503034492	HYDRAULIC HOSE GRIP (BLACK)		01
01FC	0503034494	HYDRAULIC HOSE GRIP (BLUE)		01
01FD	0503018952	PH 2,5 X 10 ZB PLASTIC BOLT		06
01G	0531055151	3/8" X 236" TR-TM BLACK/RED HOSE		01
01GA	0501082444	3/8" X 236" TR-TM HOSE		01
01GB	0503034492	HYDRAULIC HOSE GRIP (BLACK)		01
01GC	0503034495	HYDRAULIC HOSE GRIP (RED)		01
01GD	0503018952	PH 2,5 X 10 ZB PLASTIC BOLT		06
01H	0521054609	HOSE TR-TM		01
01HA	0501080005	1/2 X 5500 TR-TM HOSE		01
01HB	0503034491	HYDRAULIC HOSE GRIP (PURPLE)		01
01HC	0503034495	HYDRAULIC HOSE GRIP (RED)		01
01HD	0503018952	PH 2,5 X 10 ZB PLASTIC BOLT		06
01I	0521054611	HOSE TR-TM		01
01IA	0501080005	1/2 X 5500 TR-TM HOSE		01
01IB	0503034491	HYDRAULIC HOSE GRIP (PURPLE)		01
01IC	0503034494	HYDRAULIC HOSE GRIP (BLUE)		01
01ID	0503018952	PH 2,5 X 10 ZB PLASTIC BOLT		06
01J	0501080123	1/2 X 800 TR-TC HOSE ASSY		01
01K	0501080057	HOSE 1/2 X 900 TR-TC		01
01L	0501080054	3/8" X 17" TR-TC HOSE ASSY		01
02	0503011271	3/4" UNF "T" CONNECTION T 3 SIDES		02



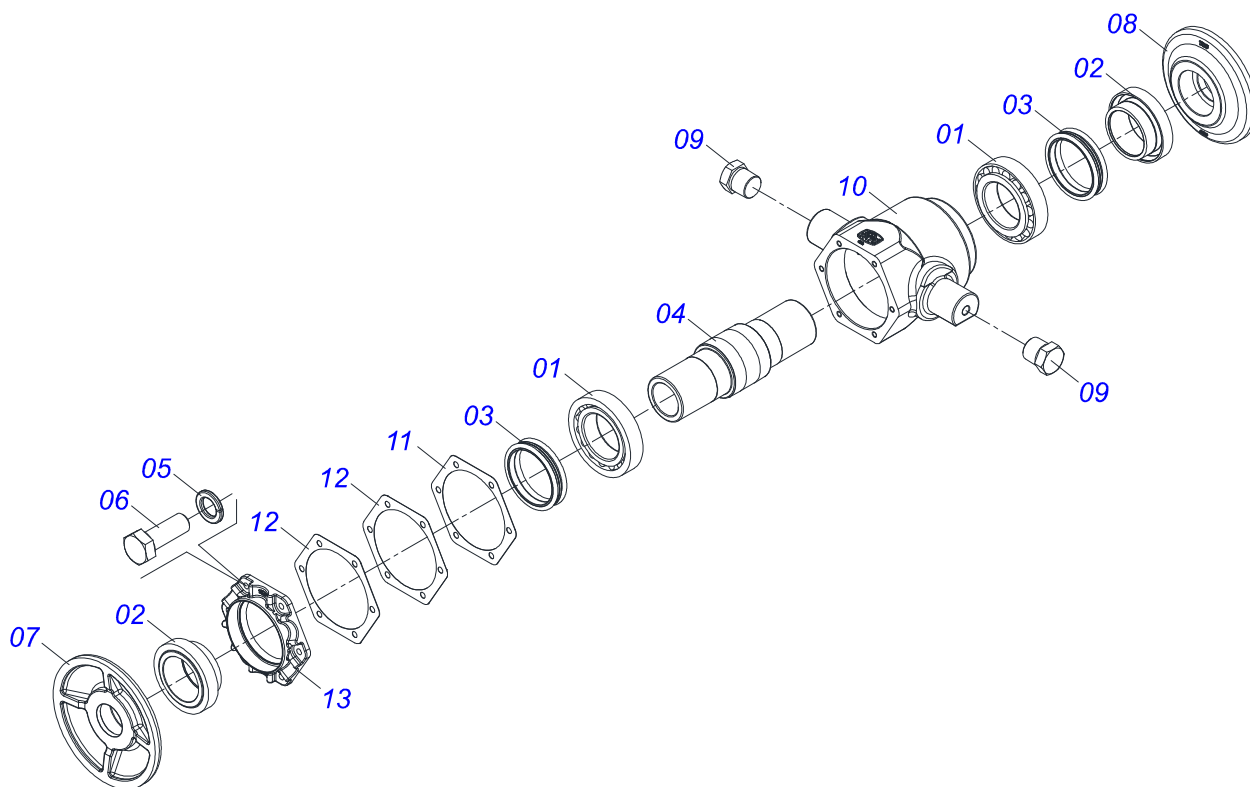
Item	Code	Description	See page	QT
03	0531052443	FLOW DIVIDING VALVE	10	01
04	0501042903	DISCHARGE VALVE ASSY	12	01
05	0501053834	MALE QUICK COUPLER	13	04
06	0501010617	NIPPLE 3/4" NF X 3/4" NF HEX. 7/8" X 44		04
07	0501010590	NIPPLE		02
08	0503010190	2-114 N 3006-9B O'RING		04
09	0503010045	O'RING		02
10	0503010237	3/8" X 1" BOLT		02
11	0503010025	3/8 SPRING WASHER		02



Item	Code	Description	See page	30	32	34	40
01	0511047064	2-1/8" X 1580 AXLE		06	04	04	08
01A	0551017147	2-1/8" X 1580 AXLE		06	04	04	08
01B	0502040063	2-1/8" X 54 99 NUT		12	08	08	16
02	0511042123	2-1/8" X 76" AXLE WITH NUTS		00	02	00	00
02A	0501013759	2-1/8" X 76" AXLE		00	02	00	00
02B	0502040063	2-1/8" X 54 99 NUT		00	04	00	00
03	0501041514	2-1/8" X 8.9" AXLE WITH NUTS		00	00	02	00
03A	0501013760	2-1/8" X 8.9" AXLE		00	00	02	00
03B	0502040063	2-1/8" X 54 99 NUT		00	00	04	00
04	0602040001	30" X 0.3" NOTCHED DISC BLADE		30	32	34	40
05	0602044003	32" X 0.5" NOTCHED DISC BLADE		00	00	00	40
06	0531041671	DMO 330 X 2.1/8 BERING	16	12	12	12	12
07	0502010643	13" 2-1/8" SPACER		12	12	12	12
08	0502010595	2-1/8" INNER AXLE WASHER		06	06	06	06
09	0502010594	2-1/8" EXTERNAL AXLE WASHER		06	06	06	06
10	0541010368	NUT LOCK		12	12	12	12
11	0531041581	1 X 4 SCREW ASSEMBLY SWING BEARING		24	24	24	32
11A	0503011432	BOLT		24	24	24	32
11B	0541010210	FLAT WASHER		24	24	24	32
11C	0501010059	1.5/8 NUT		48	48	48	64
12	0503010232	5/8" X 1.3/4" BOLT		24	24	24	32
13	0503010027	5/8 SPRING WASHER		24	24	24	32
14	0503010013	5/8" UNC G.5 ZN HEX NUT		24	24	24	32



Item	Code	Description	See page	QT
01	0503010834	1/2 X 1 BOLT		04
02	0503010019	1/2" SPRING WASHER		04
03	0502013011	360 OSCILLATING BEARING SUPPORT (CENTRAL)		01
04	0531053200	DMO 330 X 2.1/8 IMP BEARING	17	01
05	0503010013	5/8" UNC G.5 ZN HEX NUT		02
06	0503010027	5/8 SPRING WASHER		02
07	0503010480	5/8" X 4.3/4" BOLT		02
08	0501210530	SWING BEARING COVER		01



Item	Code	Description	See page	QT
01	0503010117	32216 ROLLER BEARING		02
02	0502040123	SEAL RETAINER		02
03	0503030028	JB-257 SEAL		02
04	0502040034	BEARING AXLE		01
05	0503011443	SPRING WASHER 3/8"		06
06	0503010751	C3/8" X 1.1/4" HEX BOLT G.5		06
07	0502040260	OUTER FLANGE		01
08	0502040261	INNER FLANGE		01
09	0503010856	OIL PLUG R 3/8 BSPT		02
10	0502013012	OSCILLATING AGRICULTURAL BEARING BOX 2.1/8		01
11	0503034044	JOINT		01
12	0503034045	JOINT		02
13	0502012772	BEARING COVER		01
14	3402301275	TATU OIL		0,6 Lt



ANNOTATION



A series of horizontal lines for writing annotations.





MARCHESAN

Technical Publications | Elaboration and Revision

LORENA ROCHA ALVES

www.marchesan.com.br

