

OFFSET DISK HARROW

GAPCW 8013 - 31/35/39/41/45D - AXLE 2.1/2
GAPCW 8013 - 31/35/39/41/45D - EIXO 2.1/2

Code: 0501093676
Series: S-0923
Revision: 00
Revision Date: NOVEMBER/2023

PARTS CATALOGUE



MARCHESAN



PRODUCTS

Code	Working Width	Description
0102050185		GAPCW 8013 31X32X9 DMO DR E 2.1/2 HDRH S/PN S-0923
0102050183		GAPCW 8013 31X32X9 DR DMO E 2.1/2 S/PN S0923
0102050184		GAPCW 8013 31X36X9 DR DMO E 2.1/2 PN 400/60 S-0923
0102050132		GAPCW 8013 35X32X9 DR DMO E 2.1/2 HDRH S/PN S-0923
0102050200		GAPCW 8013 35X32X9 DR DMO E 2.1/2 PN400/60 S-0923
0102050118		GAPCW 8013 35X32X9 DR DMO E 2.1/2 S/PN S-0923
0102050135		GAPCW 8013 35X34X9 DR DMO E 2.1/2 ESP S-0923
0102050201		GAPCW 8013 35X34X9 DR DMO E 2.1/2 PN400/60 S-0923
0102050130		GAPCW 8013 35X34X9 DR DMO E 2.1/2 S/PN S-0923
0102050138		GAPCW 8013 35X36X9 DMO DR E 2.1/2 HDRH S/PN S-0923
0102050203		GAPCW 8013 35X36X9 DR DMO E 2.1/2 PN400/60 S-0923
0102050131		GAPCW 8013 35X36X9 DR DMO E 2.1/2 S/PN S-0923
0102050175		GAPCW 8013 39X 32X 9 DMO DR E 2.1/2 SC S/PN S-0923
0102050177		GAPCW 8013 39X32X9 DR DMO E 2.1/2 HDRH S/PN S-0923
0102050172		GAPCW 8013 39X32X9 DR DMO E 2.1/2 S/PN S-0923
0102050179		GAPCW 8013 39X32X9 DR DMO E2.1/2HDRH SC S/PN S0923
0102050180		GAPCW 8013 39X34X9 DMO DR E 2.1/2 HDRH S/PN S-0923
0102050173		GAPCW 8013 39X34X9 DMO DR E 2.1/2 S/PN S-0923
0102050181		GAPCW 8013 39X36X12 DR DMO E 2.1/2 HDRH S/PN S0923
0102050178		GAPCW 8013 39X36X9 DR DMO E 2.1/2 HDRH S/PN S-0923
0102050176		GAPCW 8013 39X36X9 DR DMO E 2.1/2 PN400/60 S-0923
0102050174		GAPCW 8013 39X36X9 DR DMO E 2.1/2 S/PN S-0923
0102050195		GAPCW 8013 41X32X9 DR DMO E 2.1/2 PN400/60 S-0923
0102050198		GAPCW 8013 41X34X9 DR DMO E 2.1/2 HDRH S/PN S-0923
0102050197		GAPCW 8013 41X34X9 DR DMO E 2.1/2 PN400/60 S-0923
0102050194		GAPCW 8013 41X34X9 DR DMO E 2.1/2 USA S/PN S-0923
0102050190		GAPCW 8013 45X32X9 DR DMO E 2.1/2 HDRH S/PN S-0923
0102050193		GAPCW 8013 45X32X9 DR DMO E 2.1/2 S/PN S-0923
0102050186		GAPCW 8013 45X34X9 DR DMO E 2.1/2 PN400/60 S-0923
0102050192		GAPCW 8013 45X34X9 DR DMO E 2.1/2 S/PN S-0923

ATTENTION: IMPORTANT

Marchesan S.A. reserves the right to improve and/or modify the technical features of its products, without obligation to do the same with those products already sold and without prior knowledge of the dealer or the customer. The photos are only illustrative.



PRODUCTS

0102050188	GAPCW 8013 45X34X9 DR DMO HDRH E 2.1/2 S/PN S-0923
0102050189	GAPCW 8013 45X36X9 DR DMO E 2.1/2 HDRH S/PN S-0923
0102050187	GAPCW 8013 45X36X9 DR DMO E 2.1/2 PN400/60 S-0923
0102050191	GAPCW 8013 45X36X9 DR DMO E 2.1/2 S/PN S-0923
0102050182	GAPCW8013 39X36X9 DR DMO E2.1/2HDRH PN400/60 S0923
0102050199	GAPCW8013 41X32X9 DR DMO E2.1/2HDRH PN400/60 S0923

ATTENTION: IMPORTANT

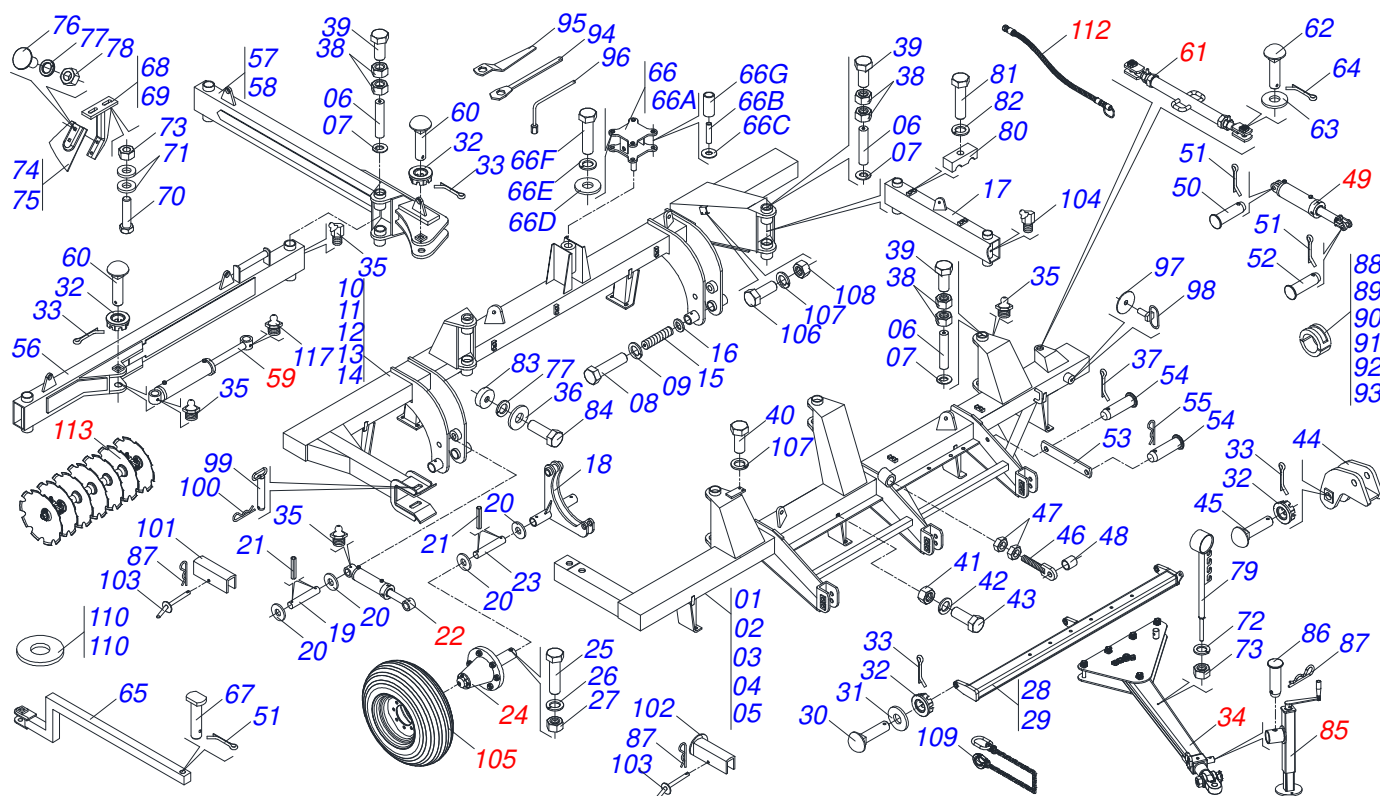
Marchesan S.A. reserves the right to improve and/or modify the technical features of its products, without obligation to do the same with those products already sold and without prior knowledge of the dealer or the customer. The photos are only illustrative.



INDEX

0909096963	ASSY FRAME	1
0511050113	HYDRAULIC CYLINDER	2
0501051885	CARRYING-WHEELS	3
0521041823	ASSY TRACTION BAR (PIN 3)	4
0531040171	ASSY HITCH	5
0511058419	HYDRAULIC CYLINDER 50,80 X 101,60 X 514 X 206	6
0511050114	63,50 X 150 X 965 X 625 HYDRAULIC CYLINDER	7
0501054606	TURNBUCKLE ASSY	8
0511048088	DRAWBAR JACK	9
0909096964	HYDRAULIC CIRCUIT	10
0511043139	VALVE ASSY	11
0501055695	FLOW DIVIDING VALVE ASSY	12
0501055696	DISCHARGE VALVE OFS ASSY	13
0501053834	MALE QUICK COUPLER	14
0909096965	DISC SECTION	15
0531041672	330 X 2.1/2 BEARING	16
0531053201	BEARING	17

ASSY FRAME



Item	Code	Description	See page	31	35	39	41	45
001	0511065829	FRAME FRONT - 31D		01	00	00	00	00
002	0511065463	FRAME FRONT - 35D		00	01	00	00	00
003	0511065465	FRAME FRONT - 39D		00	00	01	00	00
004	0511065827	FRAME FRONT - 41D		00	00	00	01	00
005	0511065386	FRAME FRONT - 45D		00	00	00	00	01
006	0541011899	2.9" X 20" COUPLING SHAFT		04	04	04	04	04
007	0511013244	FLAT WASHER		08	08	08	08	08
008	0503011250	1" X 2" BOLT		08	08	08	08	08
009	0503010012	1" SPRING WASHER		04	04	04	04	04
010	0511065830	REAR FRAME - 31D		01	00	00	00	00
011	0511065464	REAR FRAME - 35D		00	01	00	00	00
012	0511065466	REAR FRAME - 39D		00	00	01	00	00
013	0511065828	REAR FRAME - 41D		00	00	00	01	00
014	0511065387	REAR FRAME - 45D		00	00	00	00	01
015	0531018062	COUPLING SHAFT		02	02	02	02	02
016	0521011565	FLAT WASHER		04	04	04	04	04
017	0511065374	JOIN		01	01	01	01	01
018	0511064655	CARRYNG-WHEEL SUPPORT		02	02	02	02	02
019	0531018105	1.2" X 11.8" PIVOT SHAFT		02	02	02	02	02
020	0501017779	FLAT WASHER 32 X 60 X 4,75		08	08	08	08	08
021	0503011877	0.3" X 2.4" SPRING PIN		08	08	08	08	08
022	0511050113	HYDRAULIC CYLINDER	2	02	02	02	02	02
023	0531018101	1.2" X 6.3" PIVOT SHAFT		02	02	02	02	02
024	0501051885	CARRYING-WHEELS	3	04	04	04	04	04
025	0503010547	1/2" X 4" BOLT		04	04	04	04	04
026	0503010019	1/2" SPRING WASHER		04	04	04	04	04
027	0503010060	1/2 UNC G.5 ZN HEX NUT		04	04	04	04	04
028	0521066773	HITCH BAR		01	00	00	00	00
029	0521066770	(3740) HITCH BAR		00	01	01	01	01
030	0531018099	37,50 X 190 COUPLING SHAFT		02	02	02	02	02



ASSY FRAME

0909096963

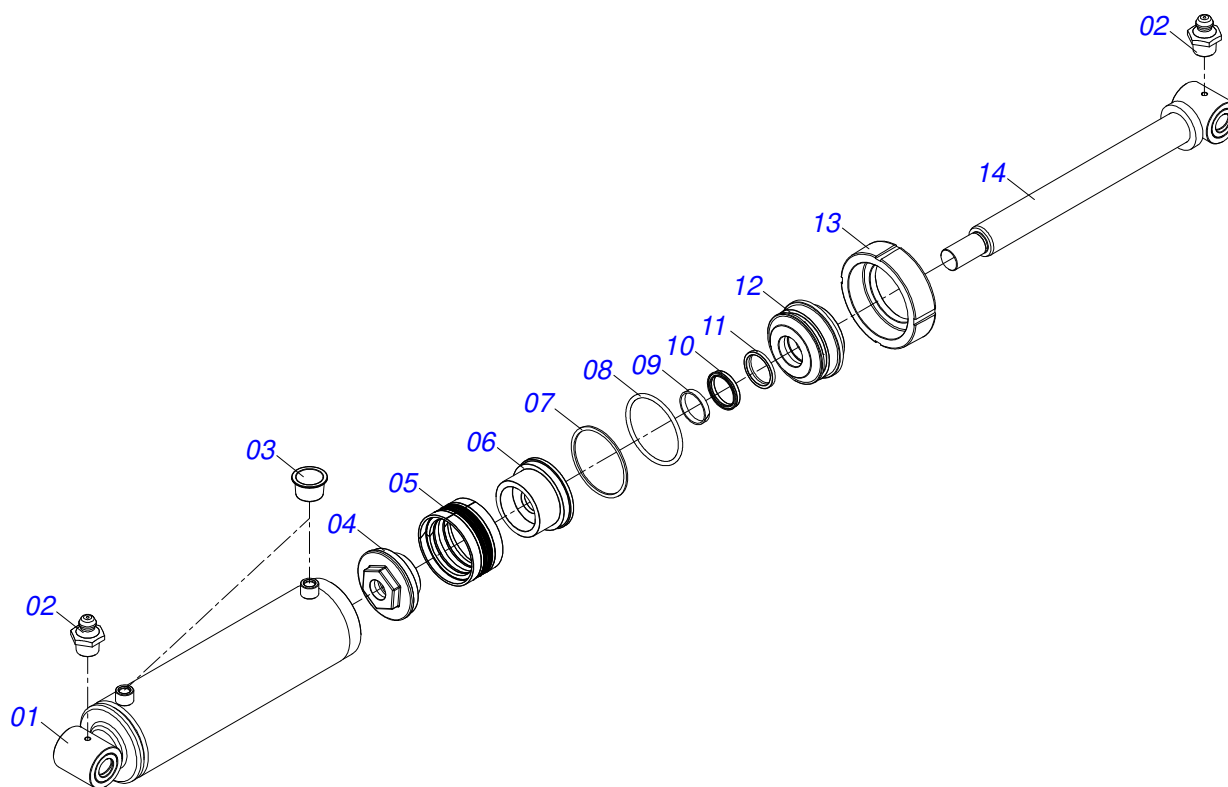
Item	Code	Description	See page	31	35	39	41	45
031	0521011721	1.6" X 3.94" X 0.12" WASHER		03	03	03	03	03
032	0501011301	1.1/2" UNC 6FPP 2.5/16" NUT		05	05	05	05	05
033	0503010010	SPLIT PIN 1/4" X 2.1/2"		05	05	05	05	05
034	0521041823	ASSY TRACTION BAR (PIN 3)	4	01	01	01	01	01
035	0503010002	1800 GREASE FITTING		33	33	33	33	33
036	0501012140	FLAT WASHER 16,50 X 40 X 4,00 ZN		01	01	01	01	01
037	0503010571	1/4" X 1.1/2" SPLIT PIN		02	02	02	02	02
038	0503013635	1" NUT		20	20	20	20	20
039	0503012660	1" X 4" BOLT		10	10	10	10	10
040	0503010237	3/8" X 1" BOLT		02	02	02	02	02
041	0503010026	3/8" NUT		02	02	02	02	02
042	0503010025	3/8 SPRING WASHER		04	04	04	04	04
043	0503010765	3/8" X 3" BOLT		02	02	02	02	02
044	0511064656	DRAWBAR PIVOT		01	01	01	01	01
045	0521012053	1.5" X 8.6" AXLE		01	01	01	01	01
046	0511064433	REGULATOR SPINDLE 1-3/4		01	01	01	01	01
047	0501010333	1.3/4" NUT		02	02	02	02	02
048	0511019920	SLEEVE 32,70 X 38,80 X 25,40		01	01	01	01	01
049	0511058419	HYDRAULIC CYLINDER 50,80 X 101,60 X 514 X 206	6	01	01	01	01	01
050	0521012538	1.2" X 3.5" COUPLING SHAFT		01	01	01	01	01
051	0503010523	1/4" X 2" SPLIT PIN		02	02	02	02	02
052	0531019171	1.25" X 7" COUPLING SHAFT		01	01	01	01	01
053	0541011205	DRAWBAR LOCK SAFETY		02	02	02	02	02
054	0521010573	0.9" X 3.1" COUPLING SHAFT		02	02	02	02	02
055	0503030012	HITCH PIN CLIP		01	01	01	01	01
056	0511065375	FRONT STABILIZER BAR		01	01	01	01	01
057	0511042739	REAR STABILIZER BAR ASSY		01	00	00	00	00
058	0511042420	REAR STABILIZER BAR ASSY		01	01	01	01	01
059	0511050114	63,50 X 150 X 965 X 625 HYDRAULIC CYLINDER	7	01	01	01	01	01
060	0531018100	37,50 X 200 COUPLING SHAFT		02	02	02	02	02
061	0501054606	TURNBUCKLE ASSY	8	01	01	01	01	01
062	0521012868	1.4" X 5" PIVOT SHAFT		02	02	02	02	02
063	0501010237	FLAT WASHER		02	02	02	02	02
064	0503010534	3/8" X 2.1/2" SPLIT PIN		05	05	05	05	05
065	0511064651	REAR HITCH		01	01	01	01	01
066	0501054607	REAR SUPPORT HITCH ASSY		01	01	01	01	01
066A	0511064666	REAR SUPPORT HITCH		01	01	01	01	01
066B	0531019120	50,8 X 235 AXLE		05	05	05	05	05
066C	0541010393	FLAT WASHER		04	04	04	04	04
066D	0521011565	FLAT WASHER		11	11	11	11	11
066E	0503010012	1" SPRING WASHER		11	11	11	11	11
066F	0503011250	1" X 2" BOLT		11	11	11	11	11
066G	0531019038	2" X 2.7" X 7.7"SLEEVE		05	05	05	05	05
067	0531019547	1.5" X 7.1" COUPLING SHAFT		01	01	01	01	01
068	0511064771	FRONT SCRAPER SUPPORT		15	17	19	20	22
069	0511064772	REAR SCRAPER SUPPORT		16	18	20	21	23
070	0501010500	3/4" X 3" BOLT		62	70	78	82	90
071	0541010763	FLAT WASHER		62	70	78	82	90
072	0503010023	3/4" SPRING WASHER		63	71	79	83	91
073	0503010014	3/4" ZN G.5 (HEAVY) UNC HEX NUT		63	71	79	83	91
074	0521013678	FRONT CLEANER		15	17	19	20	22
075	0521013679	REAR CLEANER		16	18	20	21	23
076	0503012195	5/8" NUT		62	70	78	82	90
077	0503010027	5/8 SPRING WASHER		62	70	78	82	90
078	0503010013	5/8" UNC G.5 ZN HEX NUT		63	71	79	83	91
079	0531061120	HOSE SUPPORT		01	01	01	01	01
080	0502012702	BODY SUPPORT CLAMP		07	07	07	07	07



ASSY FRAME

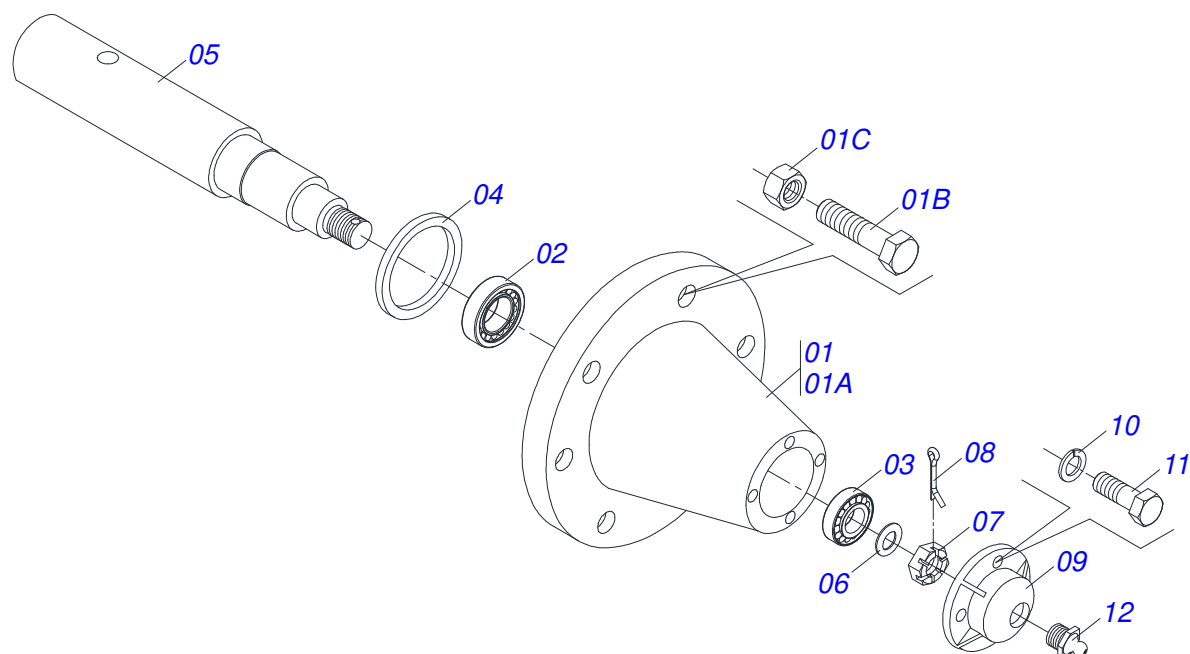
0909096963

Item	Code	Description	See page	31	35	39	41	45
081	0503012555	SCREW 7/16 UNC X 2 CS RT G.7 ZN		07	07	07	07	07
082	0503010180	7/16" SPRING WASHER		07	07	07	07	07
083	0521011481	FRAME BATTERY		01	01	01	01	01
084	0501010108	5/8" X 1" BOLT		04	04	04	04	04
085	0511048088	DRAWBAR JACK	9	01	01	01	01	01
086	0561014251	COUPLING SHAFT		01	01	01	01	01
087	0503030012	HITCH PIN CLIP		01	01	01	01	01
088	0511042161	2.1/2" ROD STOP ASSY		01	01	01	01	01
089	0511042162	2.1/2" ROD STOP ASSY		01	01	01	01	01
090	0511042163	2.1/2" ROD STOP ASSY		01	01	01	01	01
091	0511042164	2.1/2" ROD STOP ASSY		01	01	01	01	01
092	0511042165	2.1/2" ROD STOP ASSY		01	01	01	01	01
093	0511042166	2.1/2" ROD STOP ASSY		01	01	01	01	01
094	0501011432	1-1/2" AND 1-5/8 GANG BOLT WRENCH		01	01	01	01	01
095	0501316941			02	02	02	02	02
096	0503016137	1-1/4" WRENCH CABLE CYLINDER		01	01	01	01	01
097	0521011722	FLAT WASHER		01	01	01	01	01
098	0501069343	WRENCH FIXER		01	01	01	01	01
099	0501069350	230 PIVOT SHAFT WITH PULL		02	02	02	02	02
100	0503031035	HITCH PIN CLIP		01	01	01	01	01
101	0551010332	TRANSPORT LOCK		01	01	01	01	01
102	0561016693	TRANSPORT LOCK		02	02	02	02	02
103	0541016844	FIXER LOCK		03	03	03	03	03
104	0503010003	1845 GREASE FITTING		03	03	03	03	03
105	0503060414	WHEEL AND TIRE		04	04	04	04	04
106	0503010373	SCREW 1/4 UNC X 2 CS G.2 ZN		02	02	02	02	02
107	0503010143	1/4" SPRING WASHER		02	02	02	02	02
108	0503010144	1/4" NUT		02	02	02	02	02
109	0503013150	1300 X 3/8" CHAIN		01	01	01	01	01
110	0531018212	FLAT WASHER		02	02	02	02	02
111	0541011534	FLAT WASHER		05	05	05	05	05
112		HYDRAULIC CIRCUIT	10					
113		DISC SECTION	15					



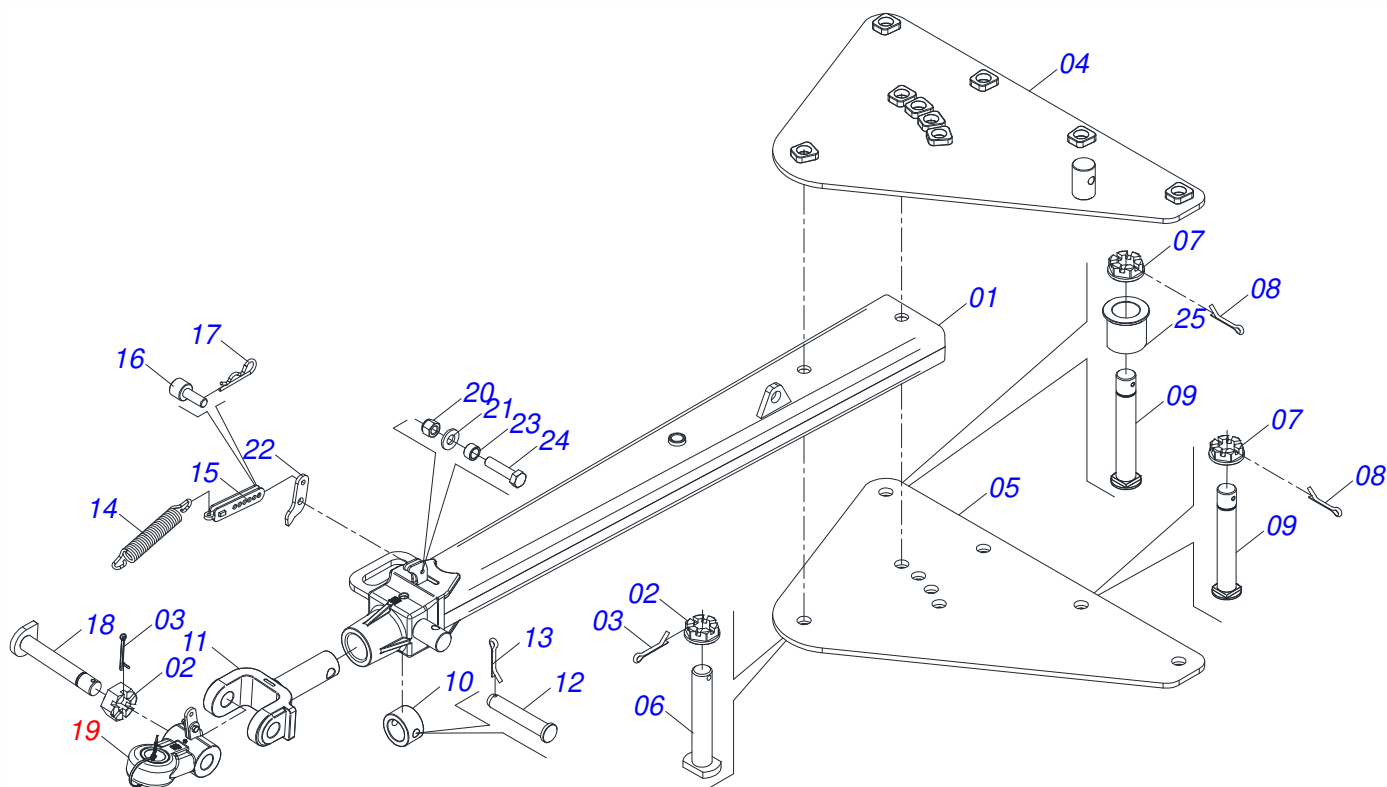
Item	Code	Description	See page	QT
01	0521061746	CYLINDER CASE		01
02	0503010002	1800 GREASE FITTING		02
03	0503030384	CON PLUG N-001		02
04	0502012645	PISTON BODY 2" X 5"		01
05	0503015643	SEAL PCK 001270-N8CO		01
06	0561016583	PISTON BODY		01
07	0503011062	8-425 BACK-UP RING		01
08	0503010351	2-425 N 3006-9B O'RING		01
09	0503015641	WEAR RING		00
10	0503015642	U-CUP SEALING RUUB000970		01
11	0503015715	SCRAPER SEALING		01
12	0502012646	RING SUPPORT 2.1/8" X 5"		01
13	0502010382	5" END CAP		01
14	0521061684	56,98 X 590,50 TURNBUCKLE		01

CARRYING-WHEELS



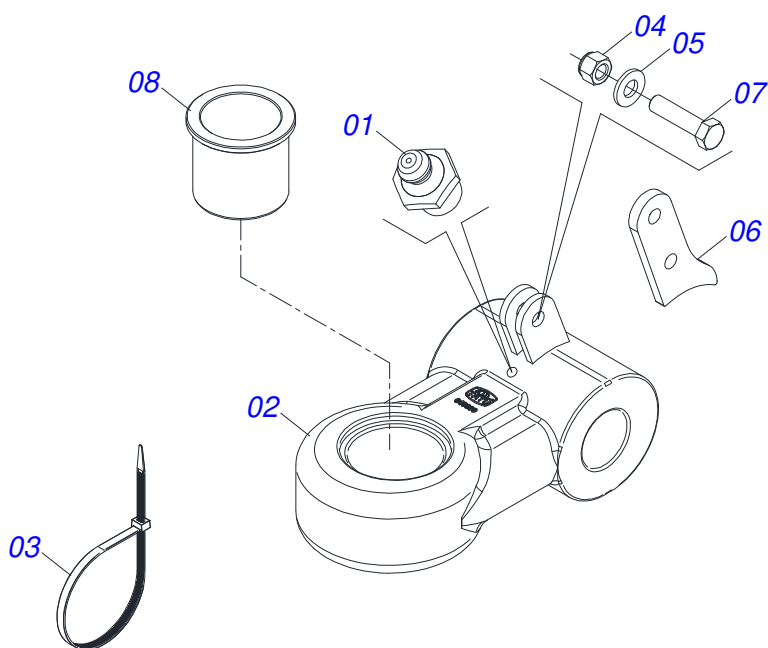
Item	Code	Description	See page	QT
01	0501110738	CARRYING WHEEL HUB 21FT		01
01A	0502012260	TRANSPORT CARRYING-WHEEL HUB		01
01B	0503010064	5/8 UNF CONIC NUT		08
01C	0501010186	WHEEL BOLT 5/8"UNF X 2.1/8CR		08
02	0503011156	2780/2720 IMP ROLLER BEARING		01
03	0503010008	3780/3720 ROLLER BEARING		01
04	0503013314	RETAINER 5166-GB 63,5 X 110 X 13 ARCA		01
05	0511012494	SPINDLE		01
06	0511012492	FLAT WASHER		01
07	0503030009	1" CASTLE NUT		01
08	0503010018	5/32" X 1-1/2" SPLIT PIN		01
09	0502020591	PROTECCION COVER		01
10	0503011444	SPRING WASHER 5/16"		04
11	0503010358	5/16" X 5/8" BOLT		04
12	0503010002	1800 GREASE FITTING		01

ASSY TRACTION BAR (PIN 3)

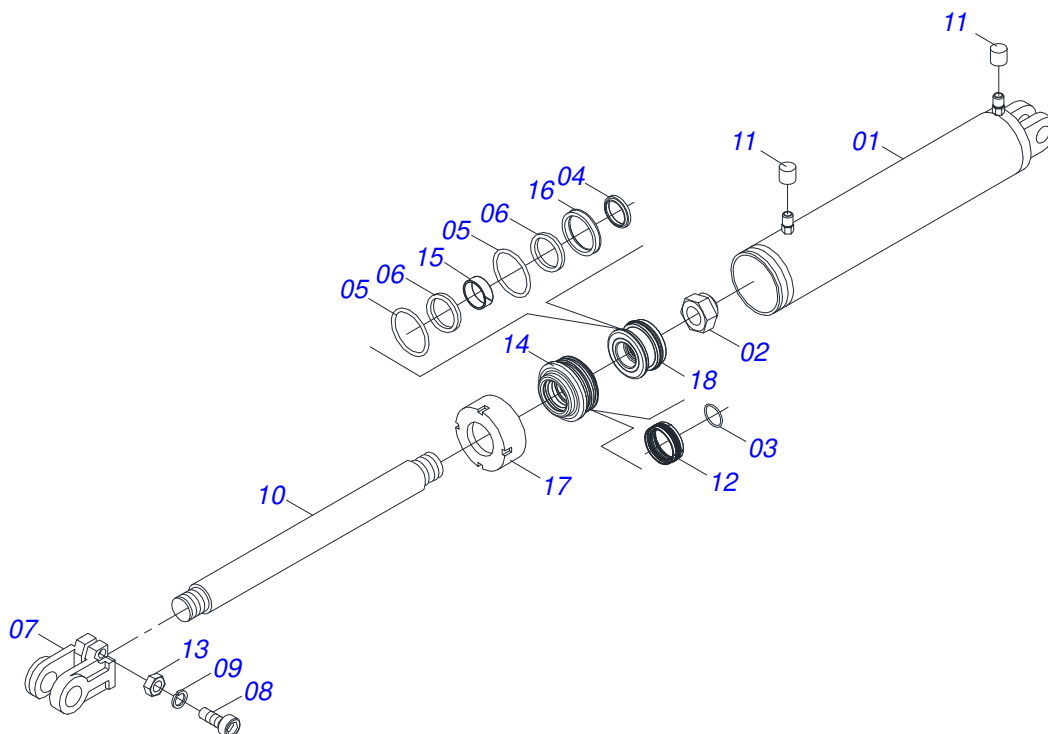


Item	Code	Description	See page	QT
01	0521068249	TRACTION BAR (AXLE 2)		01
02	0502040558	2" CASTLE NUT		02
03	0503010074	3/8" X 4" SPLIT PIN		02
04	0521068246	UPPER PLATE (AXLE 2)		01
05	0521068247	LOWER PLATE (AXLE 2)		01
06	0521068248	JUNCTION AXLE WITH LOCK		01
07	0501811301	CASTLE NUT		05
08	0503010010	SPLIT PIN 1/4" X 2.1/2"		05
09	0521811880	37,50 X 230 X PQ R.1./2 JUNCTION AXLE		05
10	0502040263	HITCH LOCK RING		01
11	1902040897	TRACTOR HITCH		01
12	0561017306	COUPLING SHAFT		01
13	0503010523	1/4" X 2" SPLIT PIN		01
14	0503031741	1.8" X 11.4" 0.3" TRACTION SPRING		01
15	0531061607	SPRING REGULATOR		01
16	0591014558	SPRING REGULATOR FIXER AXLE		01
17	0503030285	HITCH PIN CLIP		01
18	0531061122	AXIS ARTICULATOR		01
19	0531040171	ASSY HITCH	5	01
20	0503010589	UNC SELF ADJUSTING NUT 1/2" UNC ALTA G.5 ZN		01
21	0501010937	13,50 X 28 X 3,00 FLAT WASHER		01
22	0591014554	REAR SUPPORT FIXING SPRING		01
23	0591014552	SLEEVE		01
24	0503010740	BOLT 1/2 UNC X 2 CS G.5 ZN		01
25	0591013086	SLEEVE 52,8 X 78 X 76 (PIN 2")		01

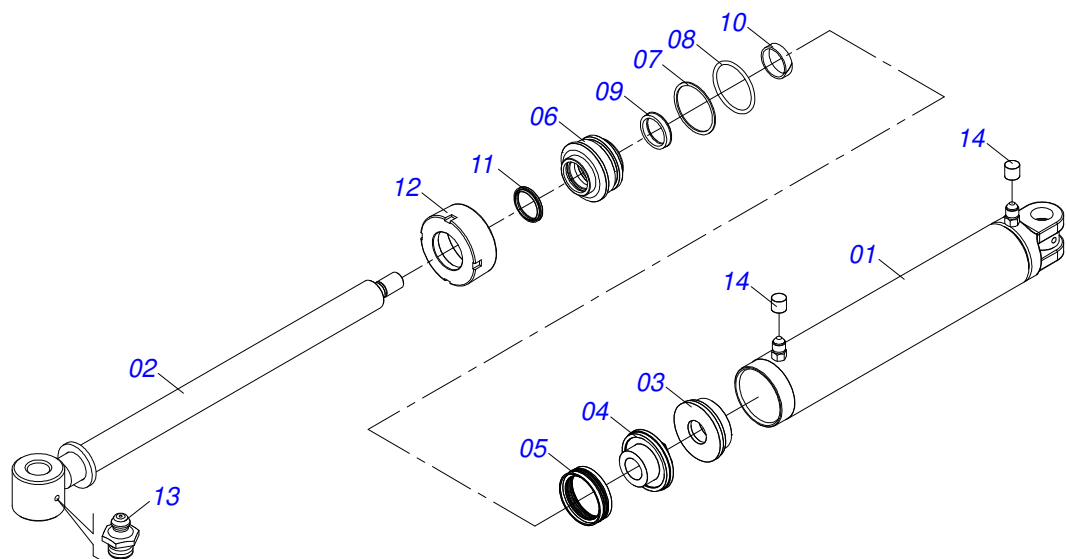
ASSY HITCH



Item	Code	Description	See page	QT
01	0503010002	1800 GREASE FITTING		01
02	0531061121	HITCH		01
03	0503018829	NYLON CLAMP 7,8 X 1,8 X 390 MM		01
04	0503010589	UNC SELF ADJUSTING NUT 1/2" UNC ALTA G.5 ZN		01
05	0501010937	13,50 X 28 X 3,00 FLAT WASHER		01
06	0591014555	FRONT SUPPORT FIXING SPRING		01
07	0503010740	BOLT 1/2 UNC X 2 CS G.5 ZN		01
08	0591013448	SLEEVE 65,50 X 78 X 76 (PIN 2.1/2")		01

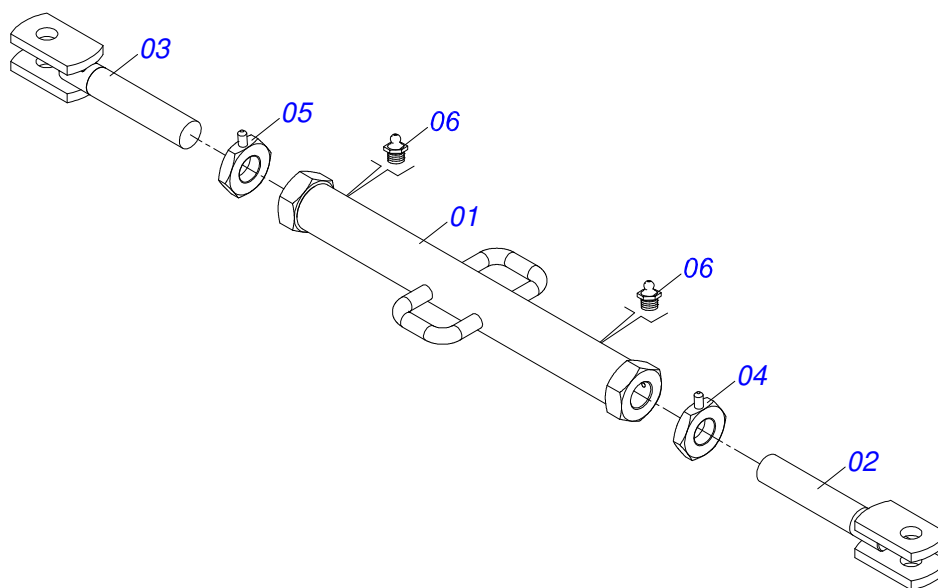


Item	Code	Description	See page	QT
01	0511061336	101,6 X 398 CYLINDER CASE		01
02	0503010817	SELF LOCKING NUT 1.1/4 UNF ALTA G.5 ZN		01
03	0503010345	2-218 N 3006-9B O'RING		01
04	0503015636	SCRAPER SEAL		01
05	0503010338	2-342 N 3006-9B O'RING		02
06	0503011061	8-342 BACK-UP RING		02
07	0502040747	32.54 CLEVIS CLAMP		01
08	0503011094	BOLT 3/8" UNC X 2" C C S I 12.9		01
09	0503011443	SPRING WASHER 3/8"		01
10	0521010422	HYDRAULIC CYLINDER TURNBUCKLE		01
11	0503030384	CON PLUG N-001		02
12	0503015633	SELEMASTER SEALING		01
13	0503010026	3/8" NUT		01
14	0581010678	50,80 X 101 RING SUPPORT		01
15	0503018025	RING GUIDE W2-2250-750		01
16	0503018026	GASKET 1870-2000-375 B POLYMAX		01
17	0502012822	END CAP 4"		01
18	0502012842	50,80 X 101,60 PISTON		01
19	0511032511R	HYDRAULIC CYLINDER REPAIR KIT		01



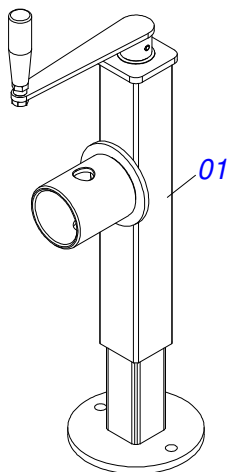
Item	Code	Description	See page	QT
01	0511065049	6" X 31" CYLINDER CASE		01
02	0511065050	2.5" X 34" TURNBUCKLE		01
03	0561016818	PISTON BODY		01
04	0502012658	PISTON BODY		01
05	0503015912	SELEMASTER SEALING		01
06	0502012375	TURNBUCKLE GUIDE		01
07	0503010704	2-357 N 3006-9B O'RING		01
08	0503010971	W2-2750-500 PK RING G.I		01
09	0503014960	GASKET		01
10	0503012497	RING (TEFLON)		01
11	0503010287	D-2500 SCRAPER RING		01
12	0541010615	MOVABLE COVER		01
13	0503010002	1800 GREASE FITTING		02
14	0503030384	CON PLUG N-001		02

TURNBUCKLE ASSY



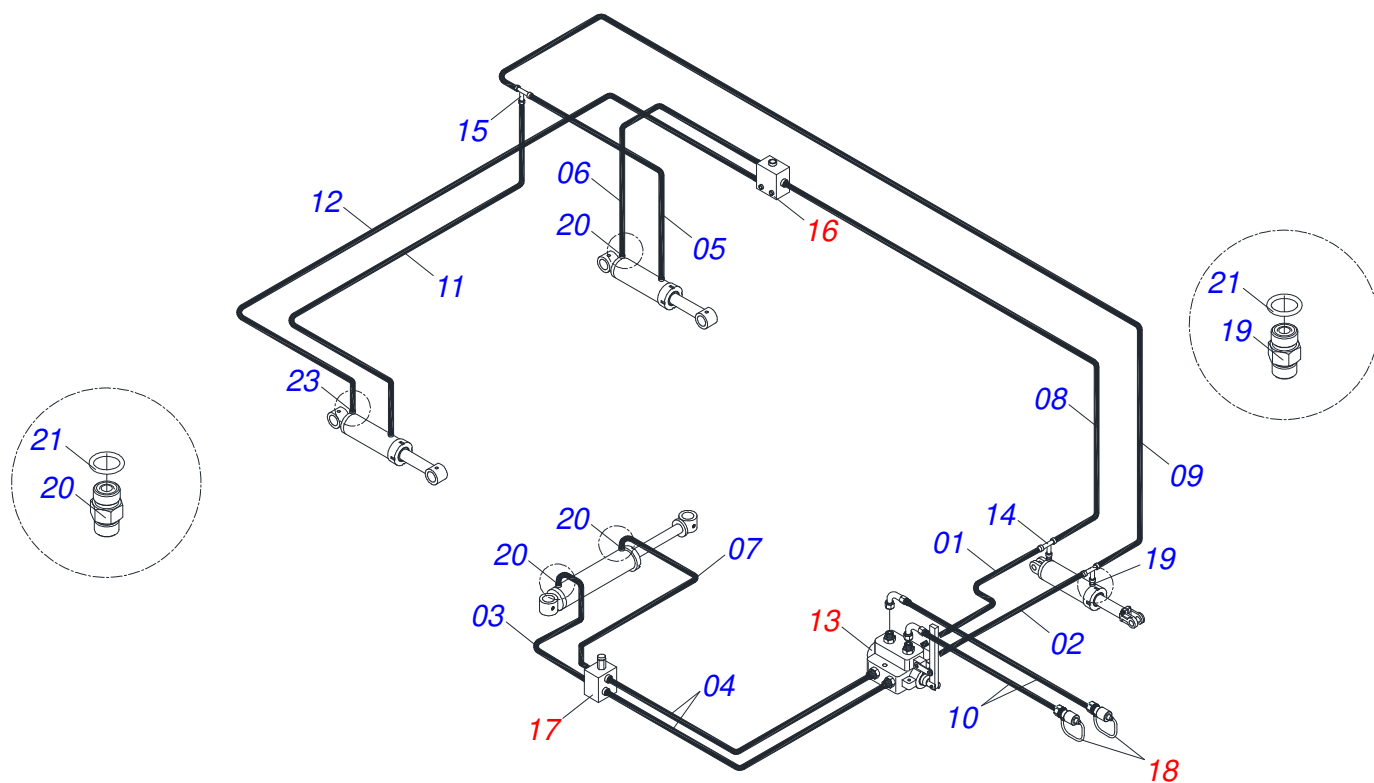
Item	Code	Description	See page	QT
01	0511064657	JOIN TURNBUCKLE		01
02	0501069333	JACK CRANK		01
03	0501069334	JACKET		01
04	0501069331	LOCKNUT WITH LEFT HANDLER R 2-1/8		01
05	0501069330	LOCKNUT WITH RIGHT HANDLER R 2-1/8		01
06	0503010002	1800 GREASE FITTING		02

DRAWBAR JACK



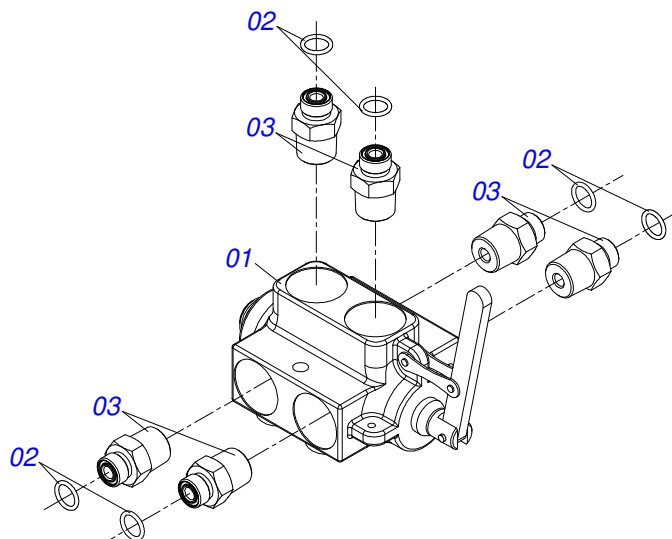
Item	Code	Description	See page	QT
01	0503062227	DRAWBAR JACK		01

HYDRAULIC CIRCUIT



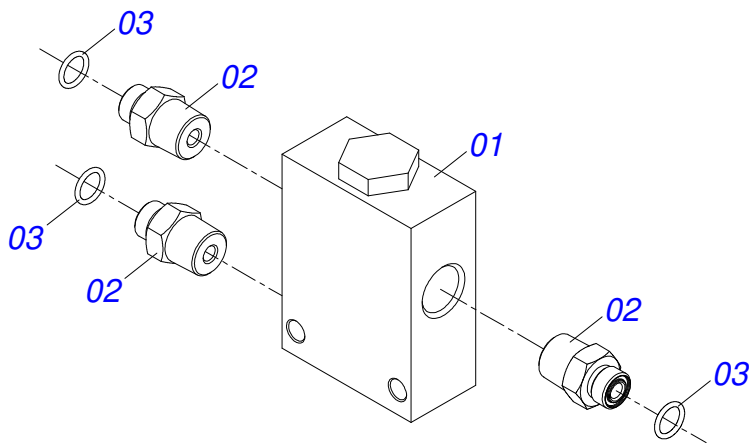
Item	Code	Description	See page	QT
01	0501080971	1/2" X 33.46" TR-TC HOSE ASSY		01
02	0501080984	1/2" X 39.37" TR-TC HOSE ASSY		01
03	0501080985	1/2" X 47.24" TR-TC HOSE ASSY		01
04	0501080911	1/2" X 51.18" TR-TR OFS HOSE ASSY		02
05	0501080986	1/2" X 55.12" TR-TC HOSE ASSY		01
06	0501080987	1/2" X 59.06" TR-TR HOSE ASSY		01
07	0501080988	1/2" X 77" TR-TC HOSE ASSY		01
08	0501080989	1/2" X 15.4" TR-TR HOSE ASSY		01
09	0501080990	1/2" X 185" TR-TR HOSE ASSY		01
10	0501080991	1/2" X 189" TC-TM HOSE ASSY		02
11	0501080992	1/2" X 200" TR-TC HOSE ASSY		01
12	0501080993	1/2" X 205" TR-TR HOSE ASSY		01
13	0511043139	VALVE ASSY	11	01
14	0503013272	T 1/2" MALE ADAPTER ASSY		02
15	0503013273	T 1/2" MALE ADAPTER		01
16	0501055695	FLOW DIVIDING VALVE ASSY	12	01
17	0501055696	DISCHARGE VALVE OFS ASSY	13	01
18	0501053834	MALE QUICK COUPLER	14	02
19	0503032031	3/4" UNF REDUCTION NIPPLE		02
20	0503030923	3/4" UNF X 13/16UN OFS X 40 NIPPLE		06
21	0503010190	2-114 N 3006-9B O'RING		14

VALVE ASSY



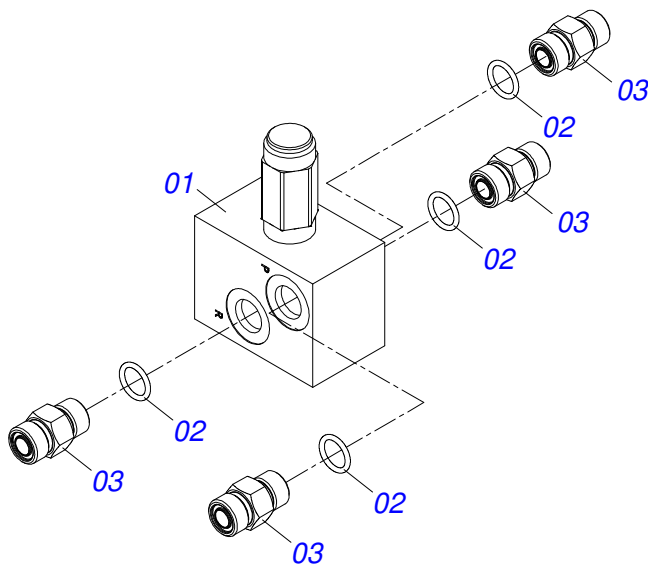
Item	Code	Description	See page	QT
01	0503013319	VALVE ASSY		01
02	0503032098	13/16" NIPPLE		06
03	0503010190	2-114 N 3006-9B O'RING		06

FLOW DIVIDING VALVE ASSY



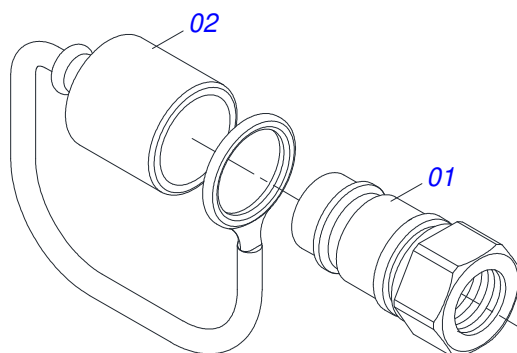
Item	Code	Description	See page	QT
01	0503012481	FLOW DIVIDING VALVE		01
02	0503030923	3/4" UNF X 13/16UN OFS X 40 NIPPLE		03
03	0503010190	2-114 N 3006-9B O'RING		03

DISCHARGE VALVE OFS ASSY



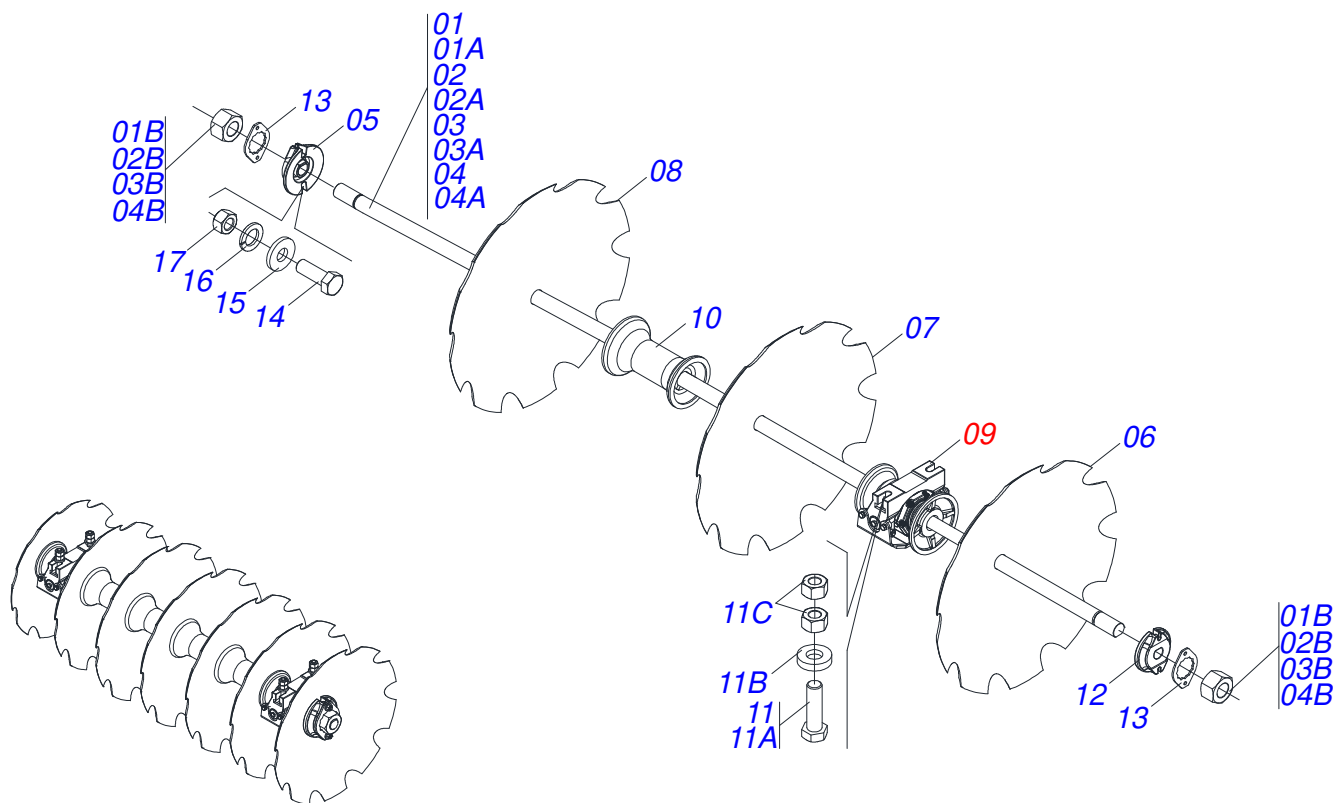
Item	Code	Description	See page	QT
01	0503010919	DISCHARGE VALVE		01
02	0503010190	2-114 N 3006-9B O'RING		04
03	0503030923	3/4" UNF X 13/16UN OFS X 40 NIPPLE		04

MALE QUICK COUPLER



Item	Code	Description	See page	QT
01	0503011627	MALE QUICK COUPLER AGR 1/2 NPT		01
02	0503011882	MALE QUICK COUPLER CAP		01

DISC SECTION



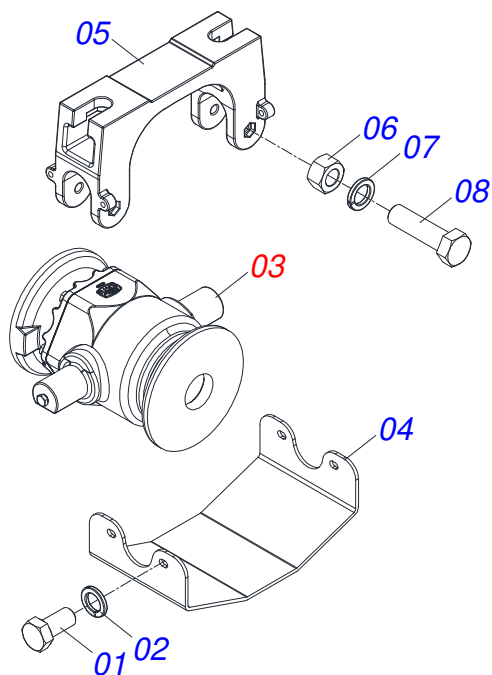
Item	Code	Description	See page	31	35	39	41	45
01	0511042421	2-1/2" X 91.7" AXLE WITH NUTS		01	00	03	03	03
01A	0541011893	2-1/2" X 91.7" AXLE		01	00	01	01	01
01B	0502040064	2.1/2" SNC X 70 99 NUT		02	00	02	02	02
02	0511042422	2-1/2" X 105" AXLE WITH NUTS		03	00	00	01	03
02A	0541011894	2-1/2" X 105" AXLE		01	00	00	01	01
02B	0502040064	2.1/2" SNC X 70 99 NUT		02	00	00	02	02
03	0511042483	2-1/2" X 65" AXLE WITH NUTS		00	01	00	00	00
03A	0541012128	2-1/2" X 65" AXLE WITH NUTS		00	01	00	00	00
03B	0502040064	2.1/2" SNC X 70 99 NUT		00	02	00	00	00
04	0511042484	2-1/2" X 78" AXLE WITH NUTS		00	05	03	02	00
04A	0541012129	2-1/2" X 78" AXLE		00	01	01	01	00
04B	0502040064	2.1/2" SNC X 70 99 NUT		00	02	02	02	00
05	0502010593	2.1/2" EXTERNAL AXLE WASHER		04	06	06	06	06
06	0602044033	DR 32 X 9 C115AF04FR2.9/16 10REC		31	35	39	41	45
06.	0602044230	DR32 X 9 C86AF04FR2.9/16" D082 10REC		00	00	39	00	00
07	0602046001	DR 34 X 9 C120AF04FR2.9/16 12REC		00	35	00	41	45
08	0602048004	DR 36 X 9 C126AF04FR2.9/16 12REC		31	35	09	00	45
08.	0602048063	DR 36 X 9 C130AF04FR2.9/16 12REC		31	00	30	00	45
08..	0602048062	DR 36 X 12 C130AF04FR2.9/16 12REC		00	00	39	00	00
09	0531041672	330 X 2.1/2 BEARING	16	08	12	12	12	12
10	0502011425	13" X 2-1/2" SPACER		19	17	21	23	27
11	0531040741	ASSY 1.1/4 UNC X 5 BOLT		16	24	24	24	24
11A	0503011347	1.1/4" X 5" BOLT		16	24	24	24	24
11B	0571010448	32,50 X 75 X 16 SLEEVE		16	24	24	24	24
11C	0501010087	1.1/4" NUT		16	24	24	24	24
12	0502010592	2.1/2" INNER AXLE WASHER		04	06	06	06	06
13	0541010368	NUT LOCK		08	12	12	12	12
14	0503010232	5/8" X 1.3/4" BOLT		16	24	24	24	24
15	0501012140	FLAT WASHER 16,50 X 40 X 4,00 ZN		16	24	24	24	24
16	0503010027	5/8 SPRING WASHER		16	24	24	24	24



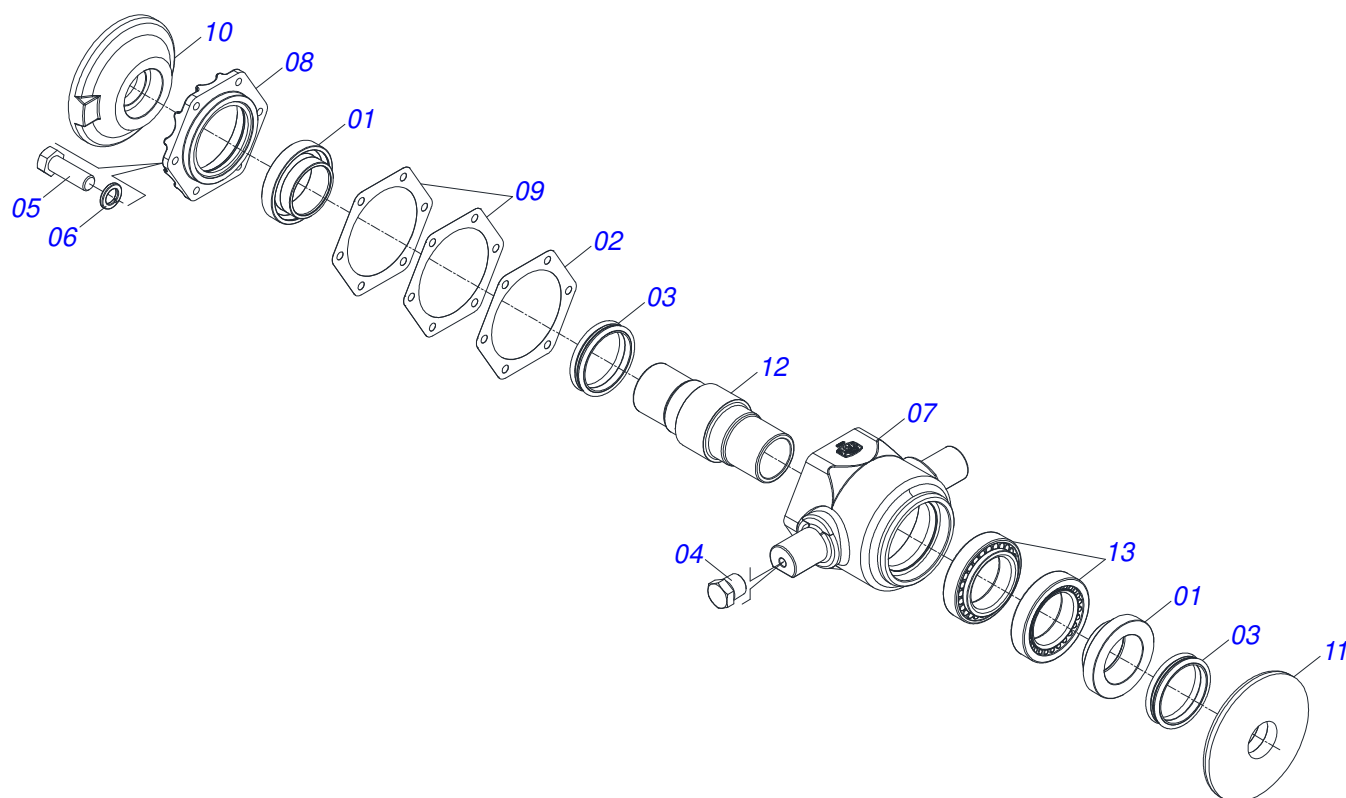
DISC SECTION

0909096965

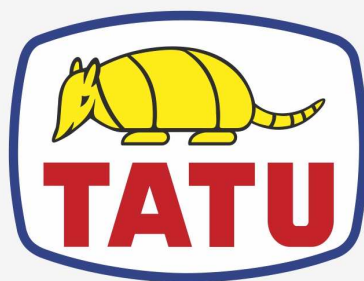
Item	Code	Description	See page	31	35	39	41	45
17	0503010013	5/8" UNC G.5 ZN HEX NUT		16	24	24	24	24



Item	Code	Description	See page	QT
01	0503010834	1/2 X 1 BOLT		04
02	0503010019	1/2" SPRING WASHER		04
03	0531053201	BEARING	17	01
04	0591011532	OSCILLATING BEARING COVER		01
05	0502013022	CENTRAL OSCILLATING BEARING SUPPORT		01
06	0503010013	5/8" UNC G.5 ZN HEX NUT		02
07	0503010027	5/8 SPRING WASHER		02
08	0503010480	5/8" X 4.3/4" BOLT		02



Item	Code	Description	See page	QT
01	0502040119	SEAL RETAINER		02
02	0503035599	205 X 160,5 X 0,20 SEAL GASKET		01
03	0503030029	RETAINER LP JB-259		02
04	0503010856	OIL PLUG R 3/8 BSPT		02
05	0503010920	1/2 UNC X 1.1/2 C S G.5 ZN BOLT		06
06	0503011440	SPRING WASHER		06
07	0502013021	BEARING BOX		01
08	0502013005	BEARING HUB LID		01
09	0503035600	205 X 160,5 X 0,40 SEAL GASKET		02
10	0502012239	BEARING OUTER FLANGE		01
11	0502012238	BEARING INNER FLANGE		01
12	0502040204	AXLE		01
13	0503010482	594A/592A ROLLER BEARING		02



MARCHESAN

Technical Publications | Elaboration and Revision

ALESSANDRA PATRICIA KAWAHARA CARRILI

www.marchesan.com.br

