

**OFFSET DISK HARROW**

**GAIM 12/14/16/18/20D WITH PA - AXLE 1.5/8"**  
**GAIM 12/14/16/18/20D COM PA - EIXO 1.5/8"**

**Code:** 0501093658  
**Series:** S-0923  
**Revision:** 00  
**Revision Date:** NOVEMBER/2023

# PARTS CATALOGUE



**MARCHESAN**



# PRODUCTS

Code	Working Width	Description
0102250191		GAIM 12 X 26 X 6,00 DR DMO E 1.5/8 PA S-0923
0102250192		GAIM 12 X 28 X 6,00 DR DMO E 1.5/8 PA S-0923
0102250193		GAIM 12 X 28 X 7,50 DR DMO E 1.5/8 PA S-0923
0102250197		GAIM 14 X 26 X 6,00 DR DMO E 1.5/8 PA S-0923
0102250196		GAIM 14 X 28 X 6,00 DR DMO E 1.5/8 PA S-0923
0102250202		GAIM 16 X 26 X 6,00 DR DMO E 1.5/8 PA S-0923
0102250203		GAIM 16 X 28 X 6,00 DR DMO E 1.5/8 PA S-0923
0102250204		GAIM 16 X 28 X 7,50 DR DMO E 1.5/8 PA S-0923
0102250207		GAIM 18 X 26 X 6,00 DR DMO E 1.5/8 PA S-0923
0102250208		GAIM 18 X 28 X 6,00 DR DMO E 1.5/8 PA S-0923
0102250213		GAIM 20 X 26 X 6,00 DR DMO E 1.5/8 PA S-0923
0102250214		GAIM 20 X 28 X 6,00 DR DMO E 1.5/8 PA S-0923
0102250218		GAIM 20 X 30 X 7,50 DR DMO E 1.5/8 PA S-0923

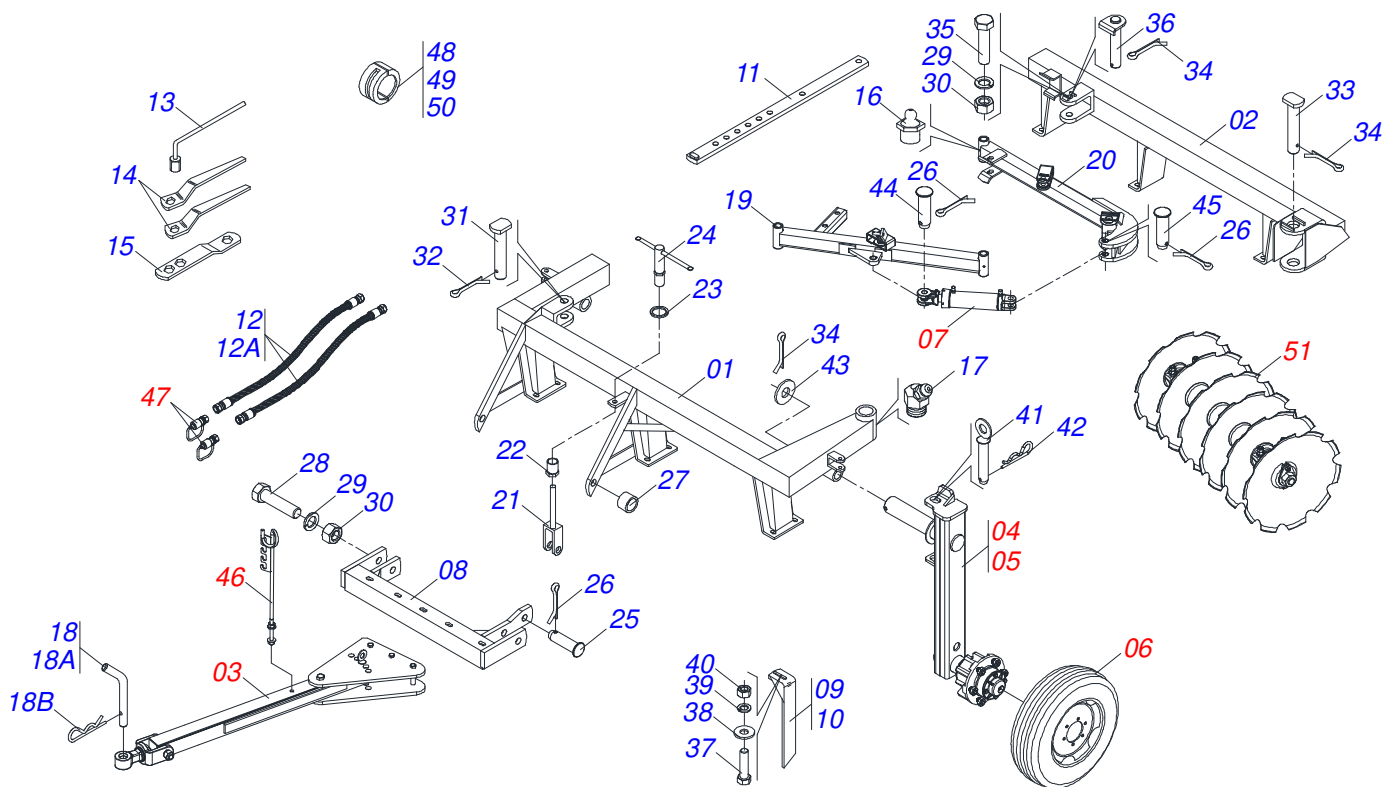
## ATTENTION: IMPORTANT

Marchesan S.A. reserves the right to improve and/or modify the technical features of its products, without obligation to do the same with those products already sold and without prior knowledge of the dealer or the customer. The photos are only illustrative.



# INDEX

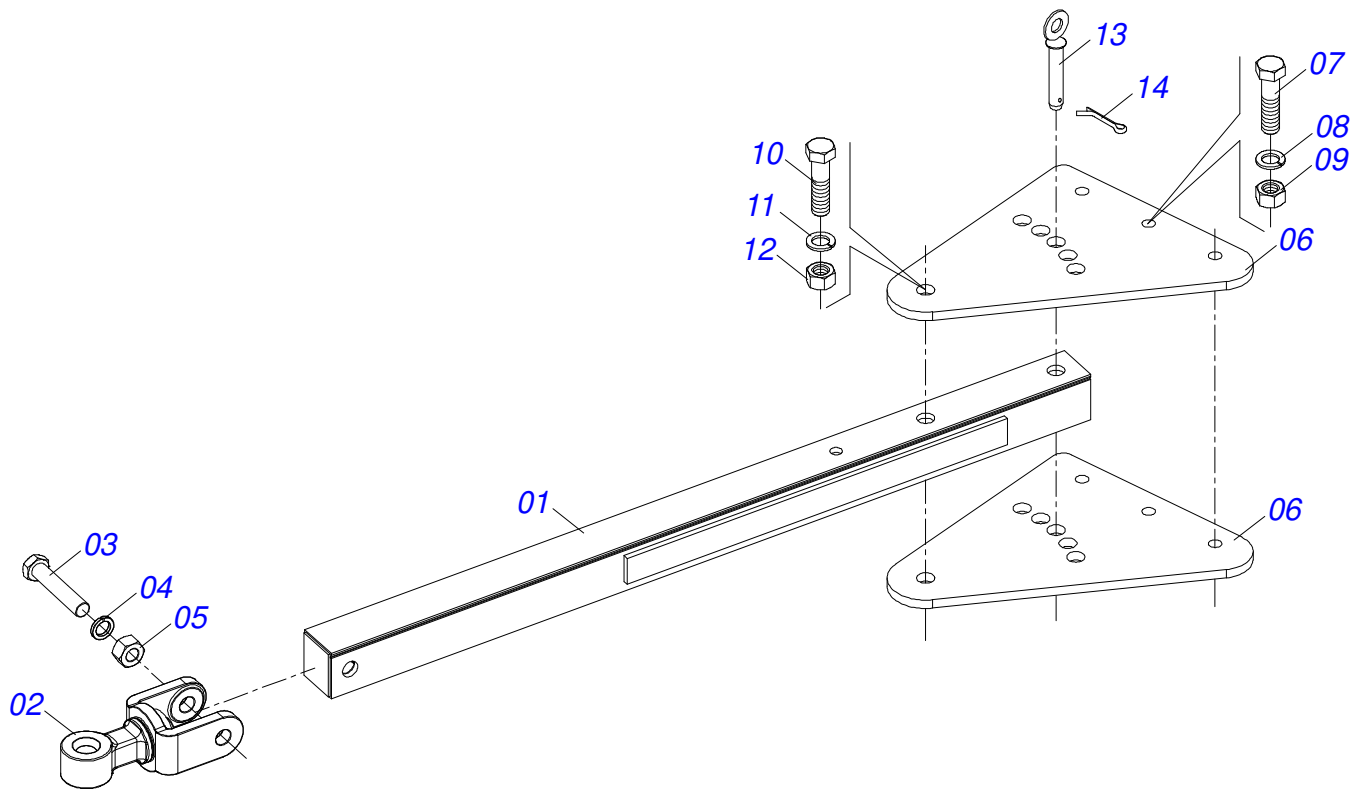
0909096970	12/14/16/18/20D - ASSY FRAME	.....	1
0501042816	ASSY TRACTION BAR	.....	2
0501051632	RIGHT STUB SHAFT & HUB ASSY	.....	3
0501051633	LEFT STUB SHAFT & HUB ASSY	.....	4
0501051142	CARRYING WHEEL HUB	.....	5
0503060094	WHEEL AND TIRE ASSY	.....	6
0511058424	HYDRAULIC CYLINDER	.....	7
0501040257	ASSY 3/4 X 38 HOSE SUPPORT	.....	8
0501053834	MALE QUICK COUPLER	.....	9
0909096971	12/14/16/18/20D - DISC GANG	.....	10
0511048375	10.31" X 1.5/8" DMO BEARING PROTECTION SUPPORT	.....	11



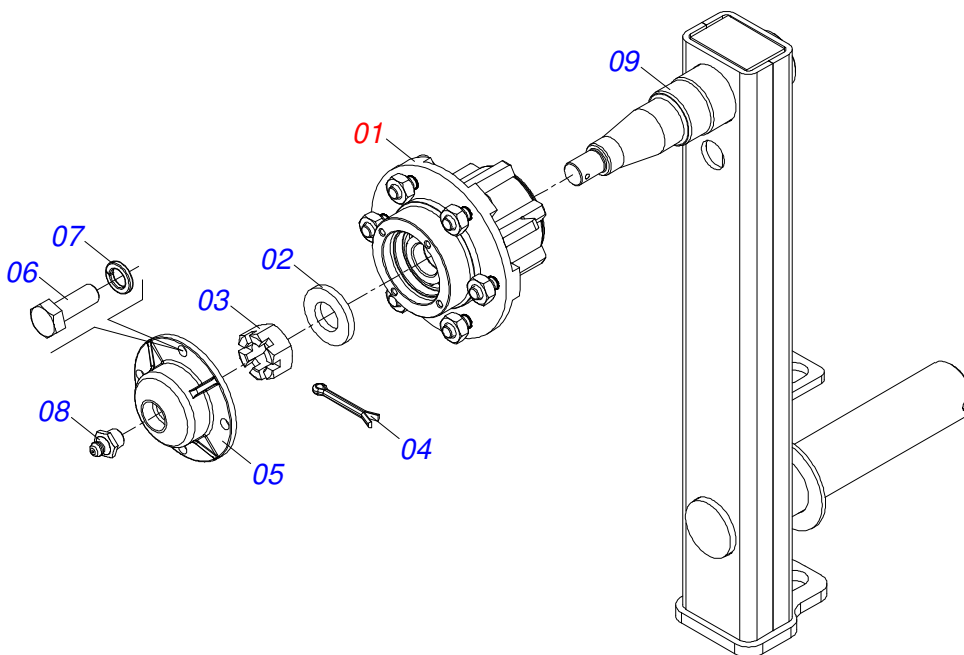
Item	Code	Description	See page	12	14	16	18	20
01	0501065494	12 - FRAME FRONT		01	00	00	00	00
01.	0501065525	14 - FRAME FRONT		00	01	00	00	00
01..	0501065529	16 - FRAME FRONT		00	00	01	00	00
01...	0501065537	18 - FRAME FRONT		00	00	00	01	00
01....	0501065541	20 - FRAME FRONT		00	00	00	00	01
02	0501065495	12 - REAR FRAME		01	00	00	00	00
02.	0501065526	14 - REAR FRAME		00	01	00	00	00
02..	0501065530	16 - REAR FRAME		00	00	01	00	00
02...	0501065538	18 - REAR FRAME		00	00	00	01	00
02....	0501065542	20 - REAR FRAME		00	00	00	00	01
03	0501042816	ASSY TRACTION BAR	2	01	01	01	01	01
04	0501051632	RIGHT STUB SHAFT & HUB ASSY	3	01	01	01	01	01
05	0501051633	LEFT STUB SHAFT & HUB ASSY	4	01	01	01	01	01
06	0503060094	WHEEL AND TIRE ASSY	6	02	02	02	02	02
07	0511058424	HYDRAULIC CYLINDER	7	01	01	01	01	01
08	0501065547	12 - OFFSET BAR		01	00	00	00	00
08.	0501065548	16 - OFFSET BAR		00	00	01	00	00
08..	0501065549	14/18/20 - OFFSET BAR		00	01	00	01	01
09	0501064168	FRONT SCRAPER		03	04	04	04	05
10	0501064167	REAR SCRAPER		03	04	04	04	05
11	0501064196	ADJUSTMENT BAR		01	00	00	00	00
12	0501051040	HOSE SET		01	01	01	01	01
12A	0501080361	3/8" X 157" TR-TM HOSE		02	02	02	02	02
13	0503016140	3/4" WRENCH CABLE CYLINDRICAL		01	01	01	01	01
14	0501011431	1-3/4" GANG BOLT WRENCH		02	02	02	02	02
15	0511018451	5/8" X 3/4" X 1" UNIVERSAL		01	01	01	01	01
16	0503010002	1800 GREASE FITTING		02	02	02	05	05
17	0503010003	1845 GREASE FITTING		01	01	01	01	01
18	0501040343	DRAWBOLT ASSY		01	01	01	01	01
18A	0501010523	DRAWBOLT		01	01	01	01	01



Item	Code	Description	See page	12	14	16	18	20
18B	0503031035	HITCH PIN CLIP		01	01	01	01	01
19	0501062507	FRONT STABILIZER BAR		00	00	01	01	01
20	0501062509	REAR STABILIZER BAR		00	00	01	01	01
21	0501060201	REGULATOR BOLT		01	01	01	01	01
22	0501068984	BUSHING WITH NUT		01	01	01	01	01
23	0501014509	FLAT WASHER		01	01	01	01	01
24	0501110265	BUSHING WITH CRANK		01	01	01	01	01
25	0521010571	COUPLING SHAFT		01	01	01	01	01
26	0503010571	1/4" X 1.1/2" SPLIT PIN		03	03	03	03	03
27	0511019921	1.3" X 0.1" X 1" SLEEVE		02	02	02	02	02
28	0501011547	1" X 4-1/2" BOLT		02	02	02	02	02
29	0503011438	SPRING WASHER		03	03	03	03	03
30	0501010059	1.5/8 NUT		03	03	03	03	03
31	0521010644	1.5" X 8.4" COUPLING SHAFT		00	00	01	01	01
32	0503010534	3/8" X 2.1/2" SPLIT PIN		00	00	01	01	01
33	0501065487	2.4" X 123" COUPLING SHAFT		01	01	01	01	01
34	0503010073	3/8" X 3.1/2" SPLIT PIN		04	04	04	04	04
35	0503011432	BOLT		01	01	00	00	00
36	0501062195	37,5 X 182 - JUNCTION SHAFT		01	01	01	01	01
37	0503011082	C1/2" X 1.3/4" SCREW		12	16	16	16	20
38	0511017302	FLAT WASHER 13,50 X 32,50 X 3,0 ZN		12	16	16	16	20
39	0503010019	1/2" SPRING WASHER		12	16	16	16	20
40	0503010060	1/2 UNC G.5 ZN HEX NUT		12	16	16	16	20
41	0501068993	0.9" X 5.5" COUPLING SHAFT		02	02	02	02	02
42	0503030168	HITCH PIN CLIP		02	02	02	02	02
43	0501817579	FLAT WASHER 63,50X102X4,75		02	02	02	02	02
44	0521012538	1.2" X 3.5" COUPLING SHAFT		01	01	01	01	01
45	0521010546	1.2" X 5.7" COUPLING SHAFT		01	01	01	01	01
46	0501040257	ASSY 3/4 X 38 HOSE SUPPORT	8	01	01	01	01	01
47	0501053834	MALE QUICK COUPLER	9	02	02	02	02	02
48	0501047895	25 ROD STOP		03	03	03	03	03
49	0501047886	35 ROD STOP		01	01	01	01	01
50	0501047888	45 ROD STOP		01	01	01	01	01
51		12/14/16/18/20D - DISC GANG	10					

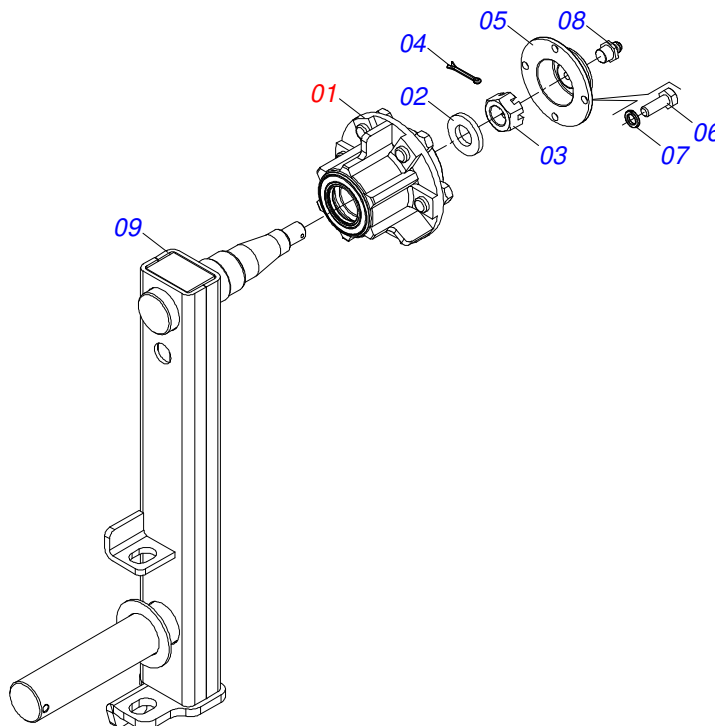


Item	Code	Description	See page	QT
01	0501060188	DRAWBAR ASSY		01
02	0521061775	TRACTOR HITCH		01
03	0501010060	1" X 6-1/2" BOLT		01
04	0503011438	SPRING WASHER		01
05	0501010059	1.5/8 NUT		01
06	0501010241	UPPER /LOWER PLATE		02
07	0503011198	BOLT 3/4" UNC X 6" CS G.5		03
08	0503011442	3/4" SPRING WASHER		03
09	0503010014	3/4" ZN G.5 (HEAVY) UNC HEX NUT		03
10	0501010191	1" X 6" BOLT		01
11	0503011438	SPRING WASHER		01
12	0501010059	1.5/8 NUT		01
13	0501068993	0.9" X 5.5" COUPLING SHAFT		01
14	0503010571	1/4" X 1.1/2" SPLIT PIN		01



Item	Code	Description	See page	QT
01	0501051142	CARRYING WHEEL HUB	5	01
02	0501016545	FLAT WASHER		01
03	0503030009	1" CASTLE NUT		01
04	0503010018	5/32" X 1-1/2" SPLIT PIN		01
05	0502020591	PROTECCION COVER		01
06	0503010358	5/16" X 5/8" BOLT		04
07	0503011444	SPRING WASHER 5/16"		04
08	0503010002	1800 GREASE FITTING		01
09	0501069088	RIGHT CARRYING-WHEELS SUPPORT		01

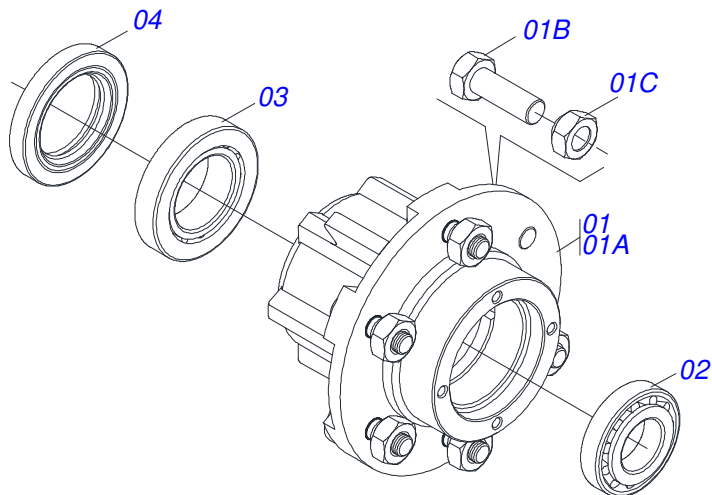
LEFT STUB SHAFT & HUB ASSY



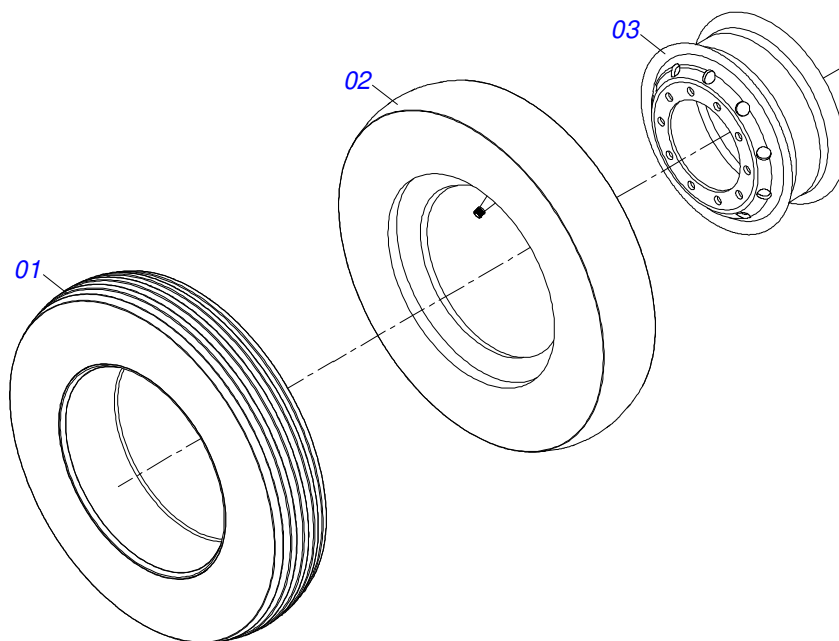
Item	Code	Description	See page	QT
01	0501051142	CARRYING WHEEL HUB	5	01
02	0501016545	FLAT WASHER		01
03	0503030009	1" CASTLE NUT		01
04	0503010018	5/32" X 1-1/2" SPLIT PIN		01
05	0502020591	PROTECCION COVER		01
06	0503010358	5/16" X 5/8" BOLT		04
07	0503011444	SPRING WASHER 5/16"		04
08	0503010002	1800 GREASE FITTING		01
09	0501069089	LEFT CARRYING-WHEELS SUPPORT		01



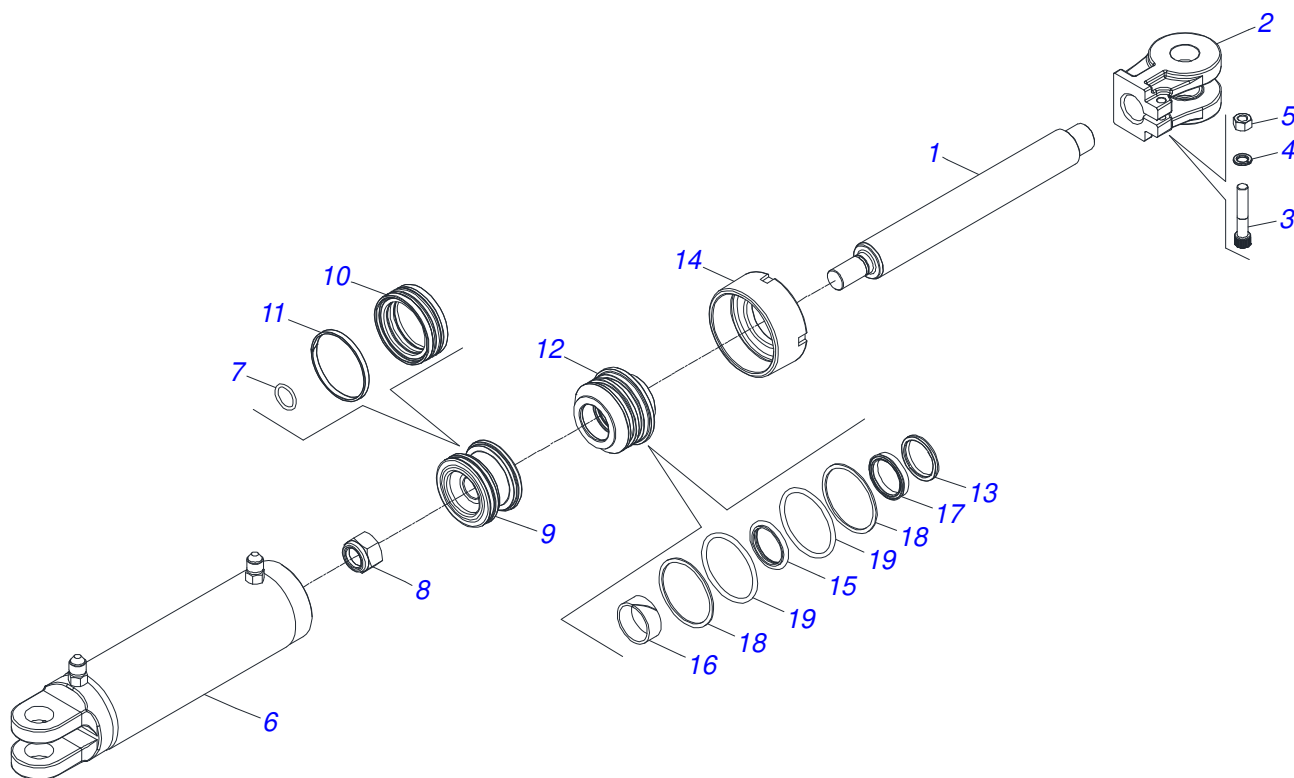
CARRYING WHEEL HUB



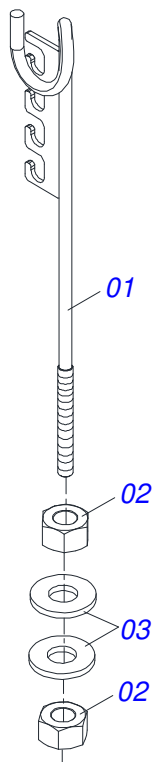
Item	Code	Description	See page	QT
01	0501110728	WHEEL HUB		01
01A	0502011121	CARRYING WHEEL HUB		01
01B	0501010127	9/16" X 1-7/8" LUG BOLT		06
01C	0503010035	9/16" CONIC NUT		06
02	0503010037	30207 ROLLER BEARING		01
03	0503010006	32210 ROLLER BEARING		01
04	0503012928	SEAL		01



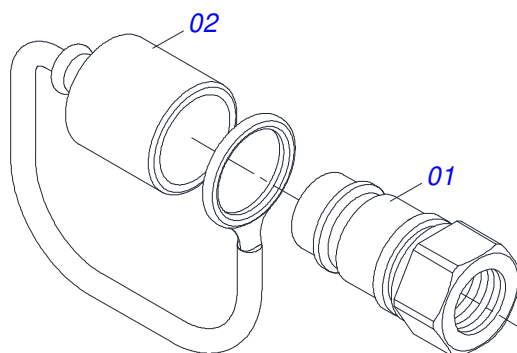
Item	Code	Description	See page	QT
01	0503010065	CANVAS TIRE		01
02	0503010068	6.00 X 16 INNER TIRE		01
03	0503010894	0.2"X0.6"X4.6"X6F0.6"X6" WHEEL		01



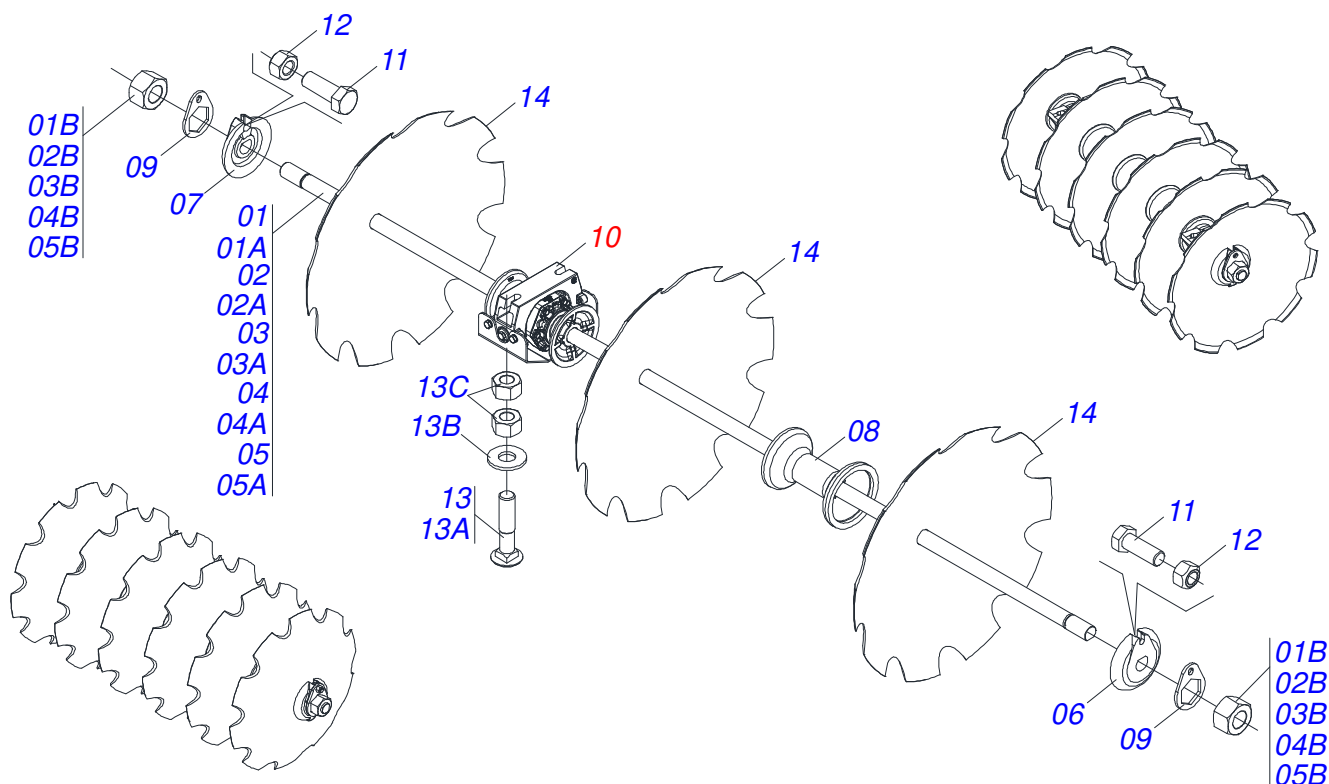
Item	Code	Description	See page	QT
01	0521010421	HYDRAULIC CYLINDER TURNBUCKLE		01
02	0502040747	32.54 CLEVIS CLAMP		01
03	0503011094	BOLT 3/8" UNC X 2" C C S I 12.9		01
04	0503010025	3/8 SPRING WASHER		01
05	0503010026	3/8" NUT		01
06	0511063257	3,4" X 12,3" CYLINDER CASE		01
07	0503010042	2-214 N 3006-9B O'RING		01
08	0503010063	1" SELF-ALIGNING NUT		01
09	0571019710	1.7" X 3.4" PISTON		01
10	0503017935	RING		01
11	0503018144	RING		01
12	0571019711	RING SUPPORT		01
13	0503010761	D-1750 SCRAPER RING		01
14	0571019709	DETACHABLE COVER		01
15	0503017936	RING		01
16	0503017938	RING GUIDE		01
17	0503017937	GASKET		01
18	0503017940	8-337 BACK-UP RING		02
19	0503017939	2-337 N 3006-9B O' RING		02



Item	Code	Description	See page	QT
01	0511067334	HOSE SUPPORT		01
02	0503010014	3/4" ZN G.5 (HEAVY) UNC HEX NUT		02
03	0501010322	20,50 X 46 X 4,00 ZN FLAT WASHER		02



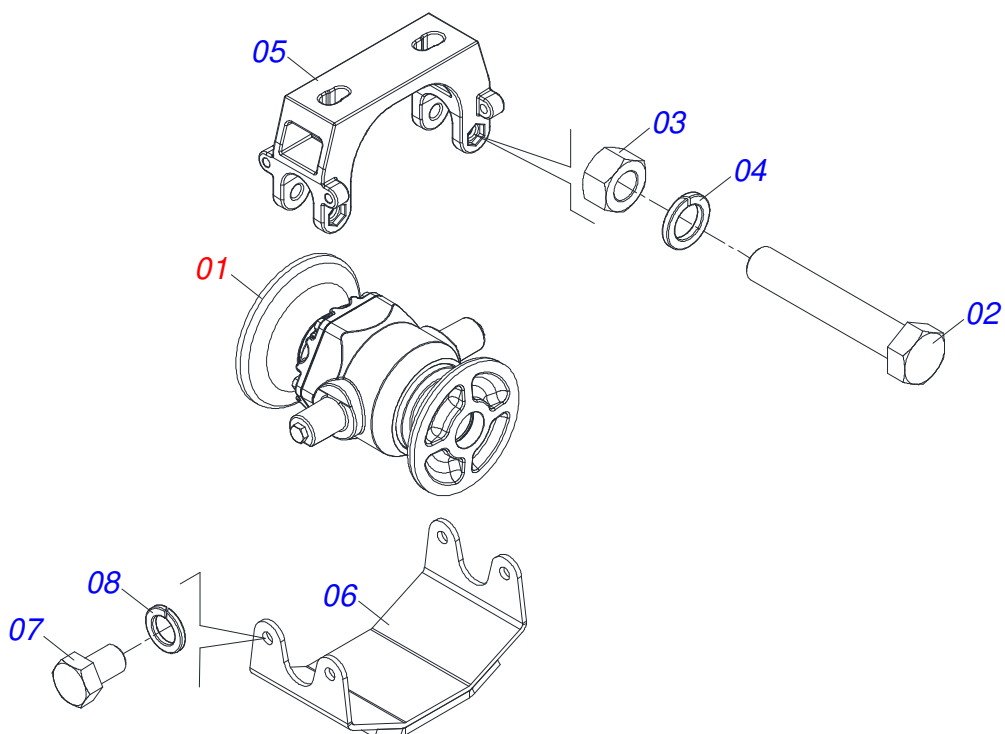
Item	Code	Description	See page	QT
01	0503011627	MALE QUICK COUPLER AGR 1/2 NPT		01
02	0503011882	MALE QUICK COUPLER CAP		01



Item	Code	Description	See page	12	14	16	18	20
01	0501046856	1-5/8" X 59" AXLE WITH NUTS 2-3/4"		02	00	00	00	00
01A	0501019012	1-5/8" X 59" AXLE		02	00	00	00	00
01B	0502040640	1.5/8" 2.3/4" NUT		04	00	00	00	00
02	0501046859	1-5/8" X 70" AXLE WITH NUTS 2-3/4"		00	02	00	00	00
02A	0501015631	1-5/8" X 70" AXLE		00	02	00	00	00
02B	0502040640	1.5/8" 2.3/4" NUT		00	04	00	00	00
03	0501046861	1-5/8" X 80" AXLE WITH NUTS 2-3/4"		00	00	02	00	00
03A	0501019015	1-5/8 X 80" AXLE		00	00	02	00	00
03B	0502040640	1.5/8" 2.3/4" NUT		00	00	04	00	00
04	0501046811	1-5/8" X 38" AXLE WITH NUTS 2-3/4"		00	00	00	02	00
04A	0501019013	1-5/8" X 38" AXLE		00	00	00	02	00
04B	0502040640	1.5/8" 2.3/4" NUT		00	00	00	04	00
05	0501046854	1-5/8" X 48" AXLE WITH NUTS 2-3/4"		00	00	00	02	04
05A	0501019016	1-5/8 X 48" AXLE		00	00	00	02	04
05B	0502040640	1.5/8" 2.3/4" NUT		00	00	00	04	08
06	0502011047	1-5/8" INNER AXLE WASHER		02	02	02	04	04
07	0502011048	1-5/8" EXTERNAL AXLE WASHER		02	02	02	04	04
08	0502010703	10.35" 1-5/8" SPACER		06	08	08	06	08
09	0511014339	1-5/8" 2.8" NUT LOCK		04	04	04	08	08
10	0511048375	10.31" X 1.5/8" DMO BEARING PROTECTION 11 SUPPORT		04	04	06	08	08
11	0503011267	BOLT 5/8" UNC X 1.1/2 C S G.5 ZN		04	04	04	08	08
12	0503012412	5/8" UNC SELF LOCKING NUT		04	04	04	08	08
13	0521047424	SCREW ASSY		08	08	12	16	16
13A	0501010500	3/4" X 3" BOLT		08	08	12	16	16
13B	0501010322	20,50 X 46 X 4,00 ZN FLAT WASHER		08	08	12	16	16
13C	0503012183	SNC 3/4" ZIN 1K03097 NUT		16	16	24	32	32
14	0602033005	DR 26 X 6 C90AF04FR1.11/16 10REC TATU		12	14	16	18	20
14.	0602037004	DR 28 X 6 C102AF04FR1.11/16 10REC TATU		12	14	16	18	20
14..	0602037006	DR 28 X 7,5 C102AF04FR1.11/16 10REC TATU		12	00	16	00	00



Item	Code	Description	See page	12	14	16	18	20
14...	0602040074	DR 30 X 7,5 C105AF04FR1.11/16 10REC TATU		00	00	00	00	20



Item	Code	Description	See page	QT
01	0501059733	SWINGING 262 AXIS 1.5/8" MM BEARING		01
02	0503010762	SCREW 5/8 UNC X 3.1/2 CS G.5 ZN		02
03	0503010013	5/8" UNC G.5 ZN HEX NUT		02
04	0503010027	5/8 SPRING WASHER		02
05	0502012626	CENTER OSCILLATING BEARING SUPPORT		01
06	0521067341	BEARING SWING COVER WITH ENHANCED		01
07	0503010834	1/2 X 1 BOLT		04
08	0503010019	1/2" SPRING WASHER		04







**MARCHESAN**

***Technical Publications | Elaboration and Revision***

ALESSANDRA PATRICIA KAWAHARA CARRILI

[www.marchesan.com.br](http://www.marchesan.com.br)

