

OFFSET DISK HARROW

GAIM 14D WITH PA - AXLE 1.3/4"
GAIM 14D COM PA - EIXO 1.3/4"

Code: 0501093651
Series: S-0923
Revision: 00
Revision Date: DECEMBER/2023

PARTS CATALOGUE



MARCHESAN



PRODUCTS

Code	Working Width	Description
0102250219		GAIM 14 X 28 X 7,5 DR DMO E 1.3/4 PA S-0923

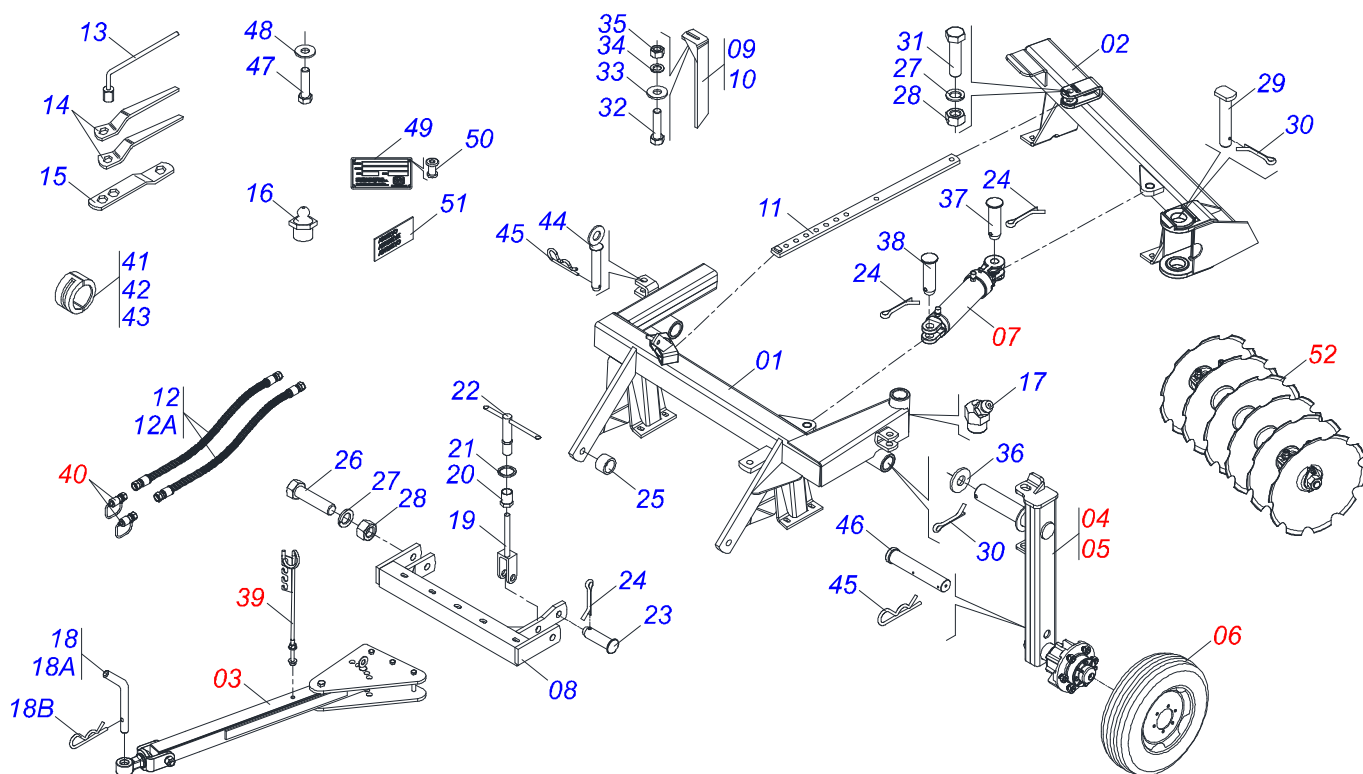
ATTENTION: IMPORTANT

Marchesan S.A. reserves the right to improve and/or modify the technical features of its products, without obligation to do the same with those products already sold and without prior knowledge of the dealer or the customer. The photos are only illustrative.



INDEX

0909096990	ASSY FRAME	1
0501042816	ASSY TRACTION BAR	2
0501051632	RIGHT STUB SHAFT & HUB ASSY	3
0501051633	LEFT STUB SHAFT & HUB ASSY	4
0501051142	CARRYING WHEEL HUB	5
0503060094	WHEEL AND TIRE ASSY	6
0511058424	HYDRAULIC CYLINDER	7
0501040257	ASSY 3/4 X 38 HOSE SUPPORT	8
0501053834	MALE QUICK COUPLER	9
0909096991	ASSY DISC GANG	10
0531045626	AGRICULTURAL BEARING DMO 262 X 1.3/4 WITH SUPPORT	11
0531052860	AGRICULTURAL BEARING	12



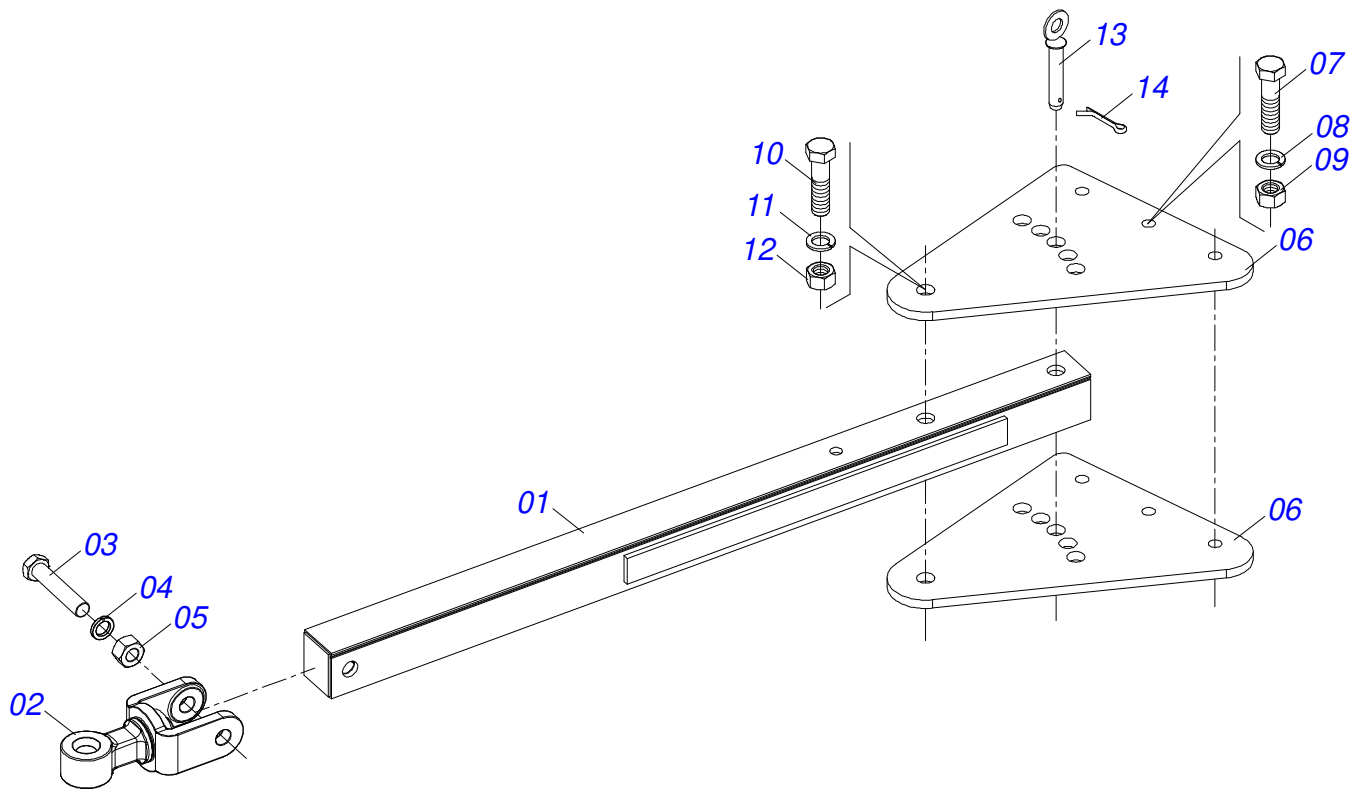
Item	Code	Description	See page	QT
01	0501065525	14 - FRAME FRONT		01
02	0501065526	14 - REAR FRAME		01
03	0501042816	ASSY TRACTION BAR	2	01
04	0501051632	RIGHT STUB SHAFT & HUB ASSY	3	01
05	0501051633	LEFT STUB SHAFT & HUB ASSY	4	01
06	0503060094	WHEEL AND TIRE ASSY	6	02
07	0511058424	HYDRAULIC CYLINDER	7	01
08	0501065549	14/18/20 - OFFSET BAR		01
09	0501064168	FRONT SCRAPER		04
10	0501064167	REAR SCRAPER		04
11	0501064198	ADJUSTMENT BAR		01
12	0501051040	HOSE SET		01
12A	0501080361	3/8" X 157" TR-TM HOSE		02
13	0503016140	3/4" WRENCH CABLE CYLINDRICAL		01
14	0501011431	1-3/4" GANG BOLT WRENCH		02
15	0511018451	5/8" X 3/4" X 1" UNIVERSAL		01
16	0503010002	1800 GREASE FITTING		02
17	0503010003	1845 GREASE FITTING		01
18	0501040343	DRAWBOLT ASSY		01
18A	0501010523	DRAWBOLT		01
18B	0503031035	HITCH PIN CLIP		01
19	0501060201	REGULATOR BOLT		01
20	0501068984	BUSHING WITH NUT		01
21	0501014509	FLAT WASHER		01
22	0501110265	BUSHING WITH CRANK		01
23	0521010571	COUPLING SHAFT		01
24	0503010571	1/4" X 1.1/2" SPLIT PIN		03
25	0511019921	1.3" X 0.1" X 1" SLEEVE		02
26	0501011547	1" X 4-1/2" BOLT		02
27	0503011438	SPRING WASHER		03



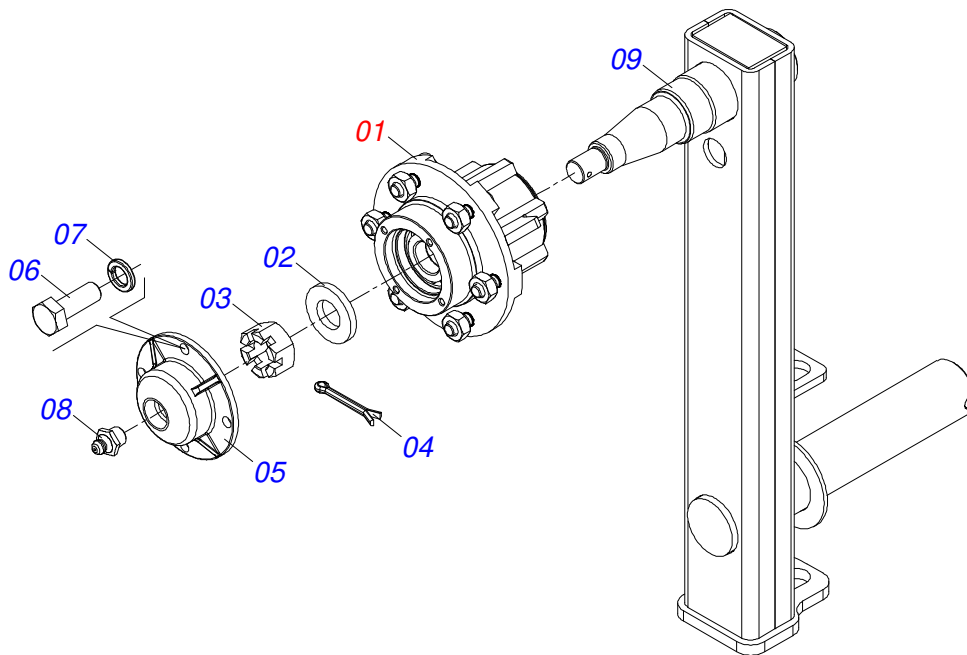
ASSY FRAME

0909096990

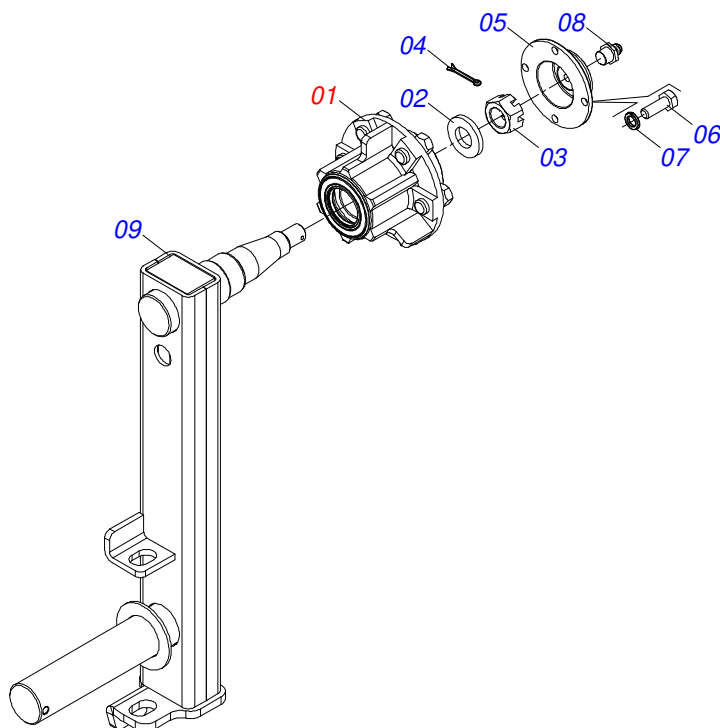
Item	Code	Description	See page	QT
28	0501010059	1.5/8 NUT		03
29	0501065487	2.4" X 123" COUPLING SHAFT		01
30	0503010073	3/8" X 3.1/2" SPLIT PIN		04
31	0503011432	BOLT		01
32	0503011082	C1/2" X 1.3/4" SCREW		16
33	0511017302	FLAT WASHER 13,50 X 32,50 X 3,0 ZN		16
34	0503010019	1/2" SPRING WASHER		16
35	0503010060	1/2 UNC G.5 ZN HEX NUT		16
36	0501817579	FLAT WASHER 63,50X102X4,75		02
37	0521012538	1.2" X 3.5" COUPLING SHAFT		01
38	0521010546	1.2" X 5.7" COUPLING SHAFT		01
39	0501040257	ASSY 3/4 X 38 HOSE SUPPORT	8	01
40	0501053834	MALE QUICK COUPLER	9	02
41	0501047895	25 ROD STOP		03
42	0501047886	35 ROD STOP		01
43	0501047888	45 ROD STOP		01
44	0501860627	AXIS 25 X 95 WITH WASHER		02
45	0503030012	HITCH PIN CLIP		03
46	0501017580	31,5 X 170 1.1/2 X 180 PIN		02
47	0503010232	5/8" X 1.3/4" BOLT		04
48	0501012140	FLAT WASHER 16,50 X 40 X 4,00 ZN		04
49	0503034003	61 X 118 SERIAL NUMBER TAG		01
50	0503010001	RIVET 3,2 X 5,5		04
51	0503034438	ADHESIVE LABEL		01
52		ASSY DISC GANG	10	



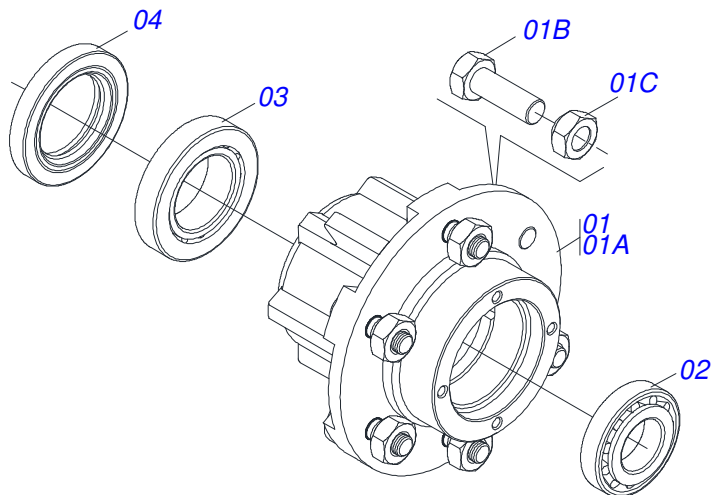
Item	Code	Description	See page	QT
01	0501060188	DRAWBAR ASSY		01
02	0521061775	TRACTOR HITCH		01
03	0501010060	1" X 6-1/2" BOLT		01
04	0503011438	SPRING WASHER		01
05	0501010059	1.5/8 NUT		01
06	0501010241	UPPER /LOWER PLATE		02
07	0503011198	BOLT 3/4" UNC X 6" CS G.5		03
08	0503011442	3/4" SPRING WASHER		03
09	0503010014	3/4" ZN G.5 (HEAVY) UNC HEX NUT		03
10	0501010191	1" X 6" BOLT		01
11	0503011438	SPRING WASHER		01
12	0501010059	1.5/8 NUT		01
13	0501068993	0.9" X 5.5" COUPLING SHAFT		01
14	0503010571	1/4" X 1.1/2" SPLIT PIN		01



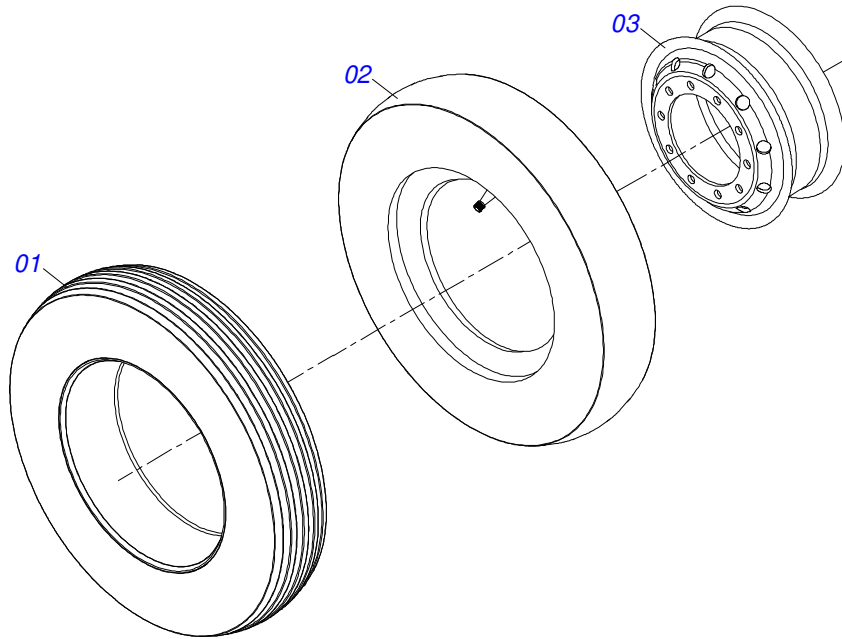
Item	Code	Description	See page	QT
01	0501051142	CARRYING WHEEL HUB	5	01
02	0501016545	FLAT WASHER		01
03	0503030009	1" CASTLE NUT		01
04	0503010018	5/32" X 1-1/2" SPLIT PIN		01
05	0502020591	PROTECCION COVER		01
06	0503010358	5/16" X 5/8" BOLT		04
07	0503011444	SPRING WASHER 5/16"		04
08	0503010002	1800 GREASE FITTING		01
09	0501069088	RIGHT CARRYING-WHEELS SUPPORT		01



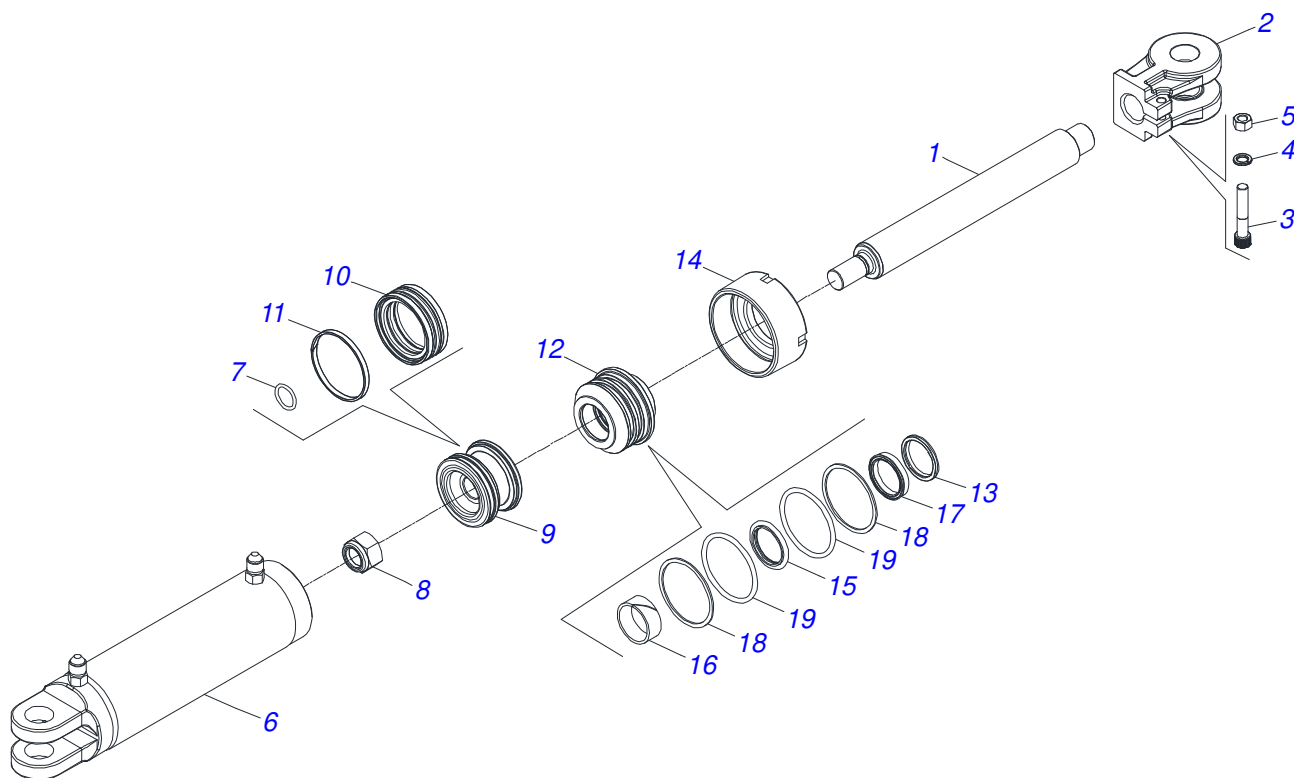
Item	Code	Description	See page	QT
01	0501051142	CARRYING WHEEL HUB	5	01
02	0501016545	FLAT WASHER		01
03	0503030009	1" CASTLE NUT		01
04	0503010018	5/32" X 1-1/2" SPLIT PIN		01
05	0502020591	PROTECCION COVER		01
06	0503010358	5/16" X 5/8" BOLT		04
07	0503011444	SPRING WASHER 5/16"		04
08	0503010002	1800 GREASE FITTING		01
09	0501069089	LEFT CARRYING-WHEELS SUPPORT		01



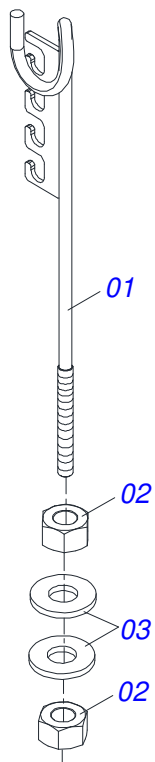
Item	Code	Description	See page	QT
01	0501110728	WHEEL HUB		01
01A	0502011121	CARRYING WHEEL HUB		01
01B	0501010127	9/16" X 1-7/8" LUG BOLT		06
01C	0503010035	9/16" CONIC NUT		06
02	0503010037	30207 ROLLER BEARING		01
03	0503010006	32210 ROLLER BEARING		01
04	0503012928	SEAL		01



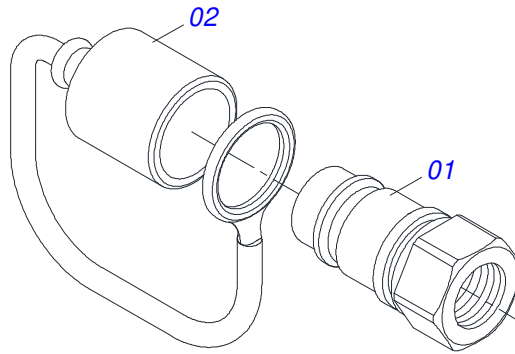
Item	Code	Description	See page	QT
01	0503010065	CANVAS TIRE		01
02	0503010068	6.00 X 16 INNER TIRE		01
03	0503010894	0.2"X0.6"X4.6"X6F0.6"X6" WHEEL		01



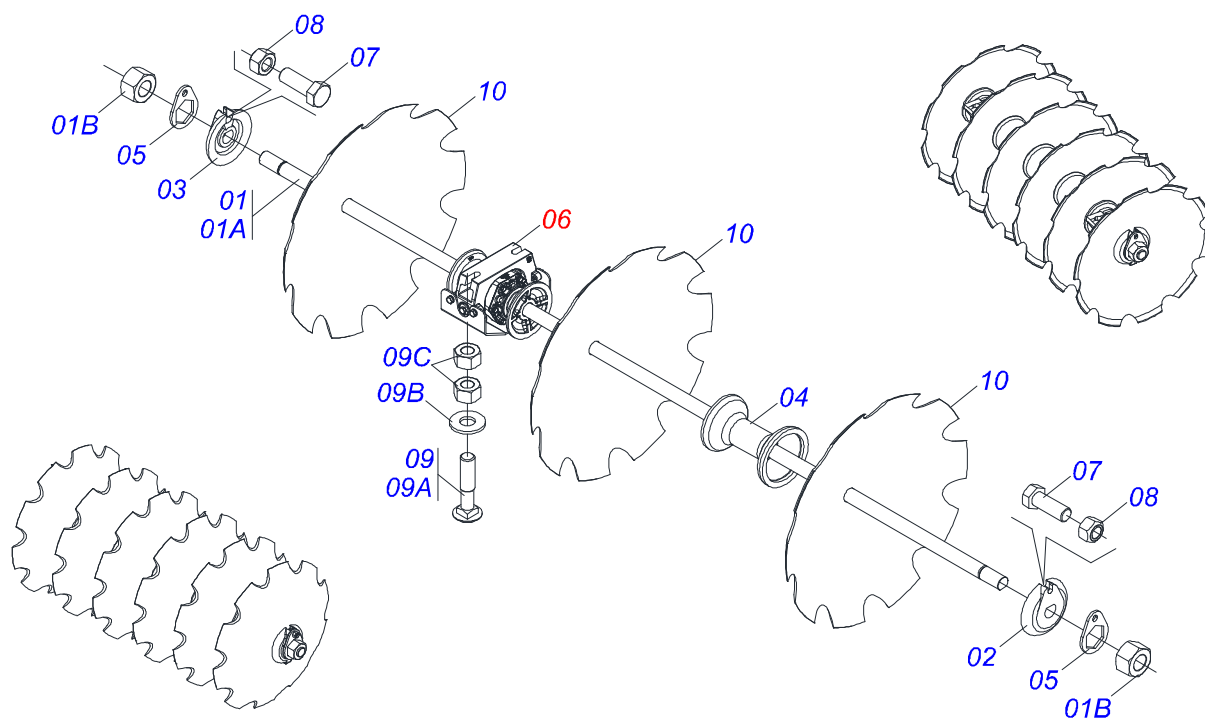
Item	Code	Description	See page	QT
01	0521010421	HYDRAULIC CYLINDER TURNBUCKLE		01
02	0502040747	32.54 CLEVIS CLAMP		01
03	0503011094	BOLT 3/8" UNC X 2" C C S I 12.9		01
04	0503010025	3/8 SPRING WASHER		01
05	0503010026	3/8" NUT		01
06	0511063257	3,4" X 12,3" CYLINDER CASE		01
07	0503010042	2-214 N 3006-9B O'RING		01
08	0503010063	1" SELF-ALIGNING NUT		01
09	0571019710	1.7" X 3.4" PISTON		01
10	0503017935	RING		01
11	0503018144	RING		01
12	0571019711	RING SUPPORT		01
13	0503010761	D-1750 SCRAPER RING		01
14	0571019709	DETACHABLE COVER		01
15	0503017936	RING		01
16	0503017938	RING GUIDE		01
17	0503017937	GASKET		01
18	0503017940	8-337 BACK-UP RING		02
19	0503017939	2-337 N 3006-9B O' RING		02



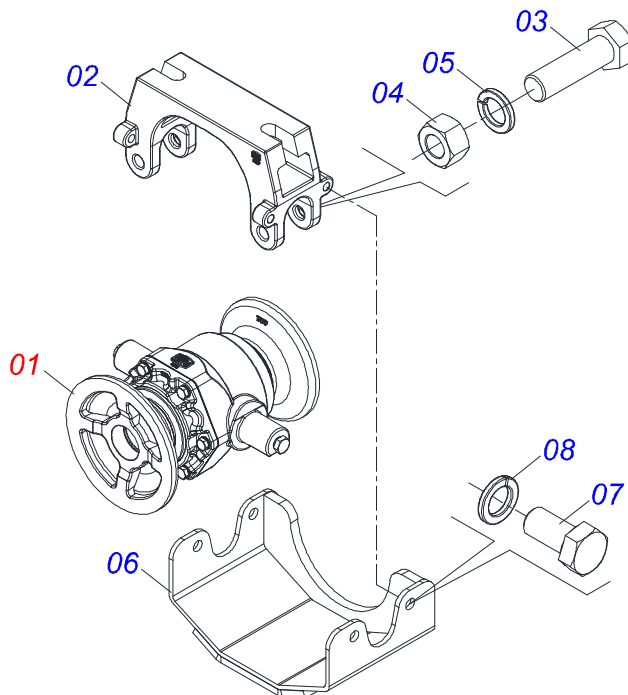
Item	Code	Description	See page	QT
01	0511067334	HOSE SUPPORT		01
02	0503010014	3/4" ZN G.5 (HEAVY) UNC HEX NUT		02
03	0501010322	20,50 X 46 X 4,00 ZN FLAT WASHER		02



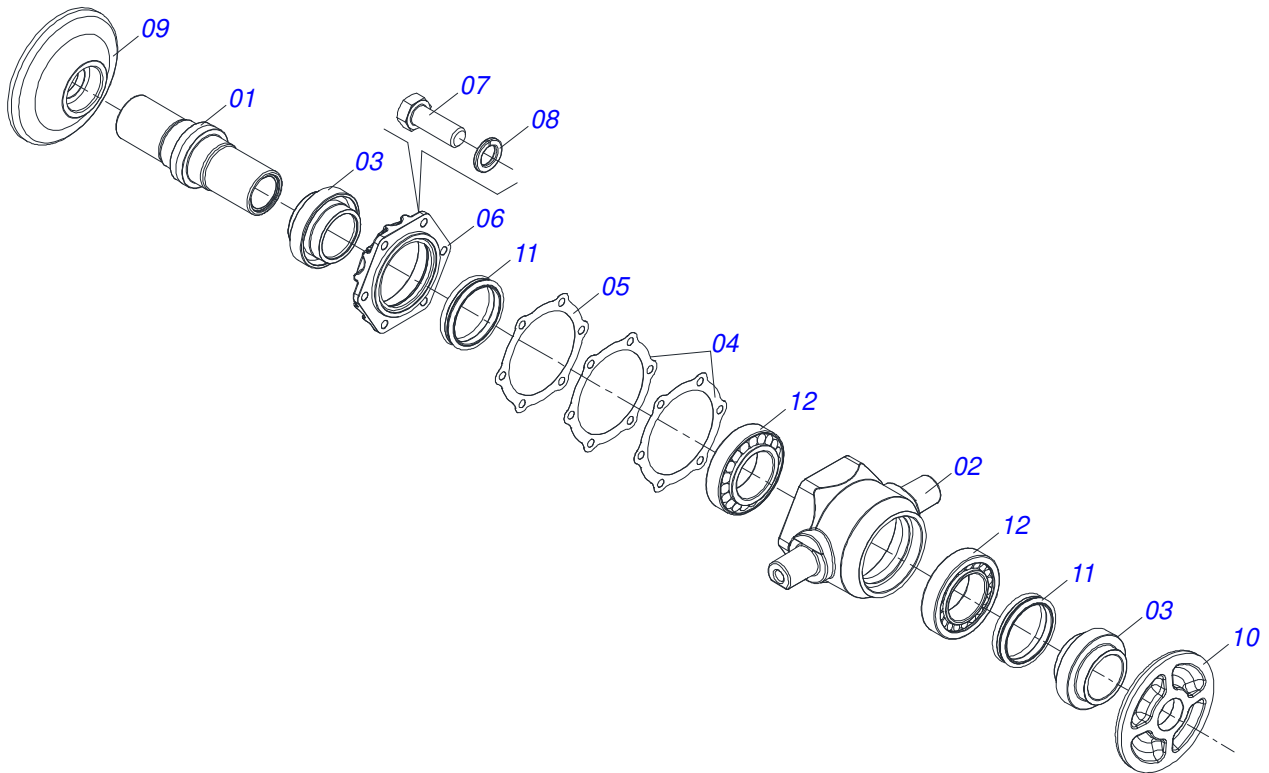
Item	Code	Description	See page	QT
01	0503011627	MALE QUICK COUPLER AGR 1/2 NPT		01
02	0503011882	MALE QUICK COUPLER CAP		01



Item	Code	Description	See page	QT
01	0501040362	1.3/4" X 1790 AXLE WITH NUTS		02
01A	0501011422	1.3/4 X 1790 AXLE		01
01B	0501010333	1.3/4" NUT		02
02	0502012221	1-1/2" INNER AXLE WASHER		02
03	0502012222	1-3/4" EXTERNAL AXLE WASHER		02
04	0502010400	263 SPACER		08
05	0511014339	1-5/8" 2.8" NUT LOCK		04
06	0531045626	AGRICULTURAL BEARING DMO 262 X 1.3/4 WITH 11 SUPPORT		04
07	0503011267	BOLT 5/8" UNC X 1.1/2 C S G.5 ZN		04
08	0503012412	5/8" UNC SELF LOCKING NUT		04
09	0521047424	SCREW ASSY		08
09A	0501010500	3/4" X 3" BOLT		01
09B	0501010322	20,50 X 46 X 4,00 ZN FLAT WASHER		01
09C	0503012183	SNC 3/4" ZIN 1K03097 NUT		02
10	0602037001	DR 28 X 7,5 C102AF04FR1.13/16 10REC TATU		14



Item	Code	Description	See page	QT
01	0531052860	AGRICULTURAL BEARING	12	01
02	0502012626	CENTER OSCILLATING BEARING SUPPORT		01
03	0503010762	SCREW 5/8 UNC X 3.1/2 CS G.5 ZN		02
04	0503010013	5/8" UNC G.5 ZN HEX NUT		02
05	0503010027	5/8 SPRING WASHER		02
06	0521067341	BEARING SWING COVER WITH ENHANCED		01
07	0503010834	1/2 X 1 BOLT		04
08	0503010019	1/2" SPRING WASHER		04



Item	Code	Description	See page	QT
01	0502010824	AXLE CM/DM		01
02	0502012343	AGRICULTURAL HOUSING BEARING		01
03	0502010823	SEAL RETAINER		02
04	0503030030	5.6" X 4.4" X 0.01" GASKET		02
05	0503030685	5.5" X 4.4" X 0.003" GASKET		01
06	0502020161	WEAR PLATE BEARING		01
07	0503010237	3/8" X 1" BOLT		06
08	0503011443	SPRING WASHER 3/8"		06
09	0502040141	OUTER FLANGE		01
10	0502040142	INNER FLANGE		01
11	0503030027	DUO-CONE SEAL		02
12	0503010104	3984/3920 ROLLER BEARING		02
13	3402301275	TATU OIL		0,2 Lts



MARCHESAN

Technical Publications | Elaboration and Revision

ALESSANDRA PATRICIA KAWAHARA CARRILI

www.marchesan.com.br

