

PD - FRONT LOADER

PD 600

Code: 0501093634
Series: S-0417
Revision: 00
Date Revision: SETEMBRO/2023

PARTS CATALOGUE



MARCHESAN



PRODUCTS

Code	Description
0106160006	PD 600 S-0417
0106160007	PD 600 S-0417

ATTENTION: IMPORTANT

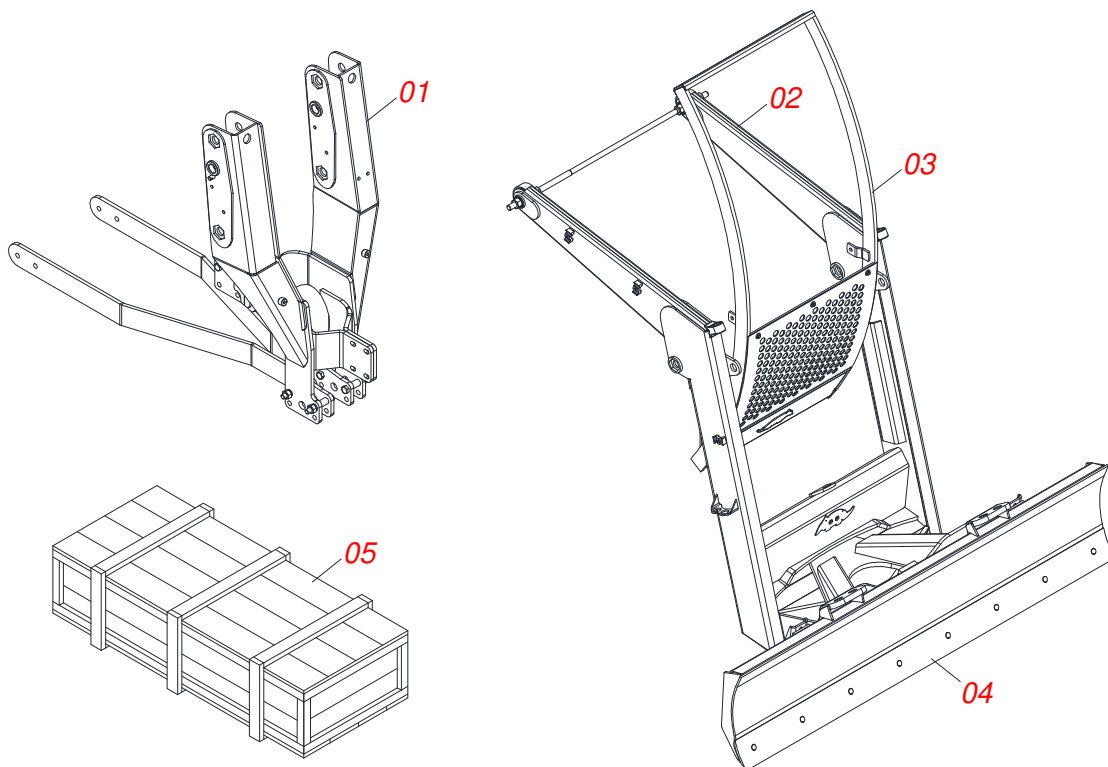
Marchesan S.A. reserves the right to improve and/or modify the technical features of its products, without obligation to do the same with those products already sold and without prior knowledge of the dealer or the customer. The photos are only illustrative.



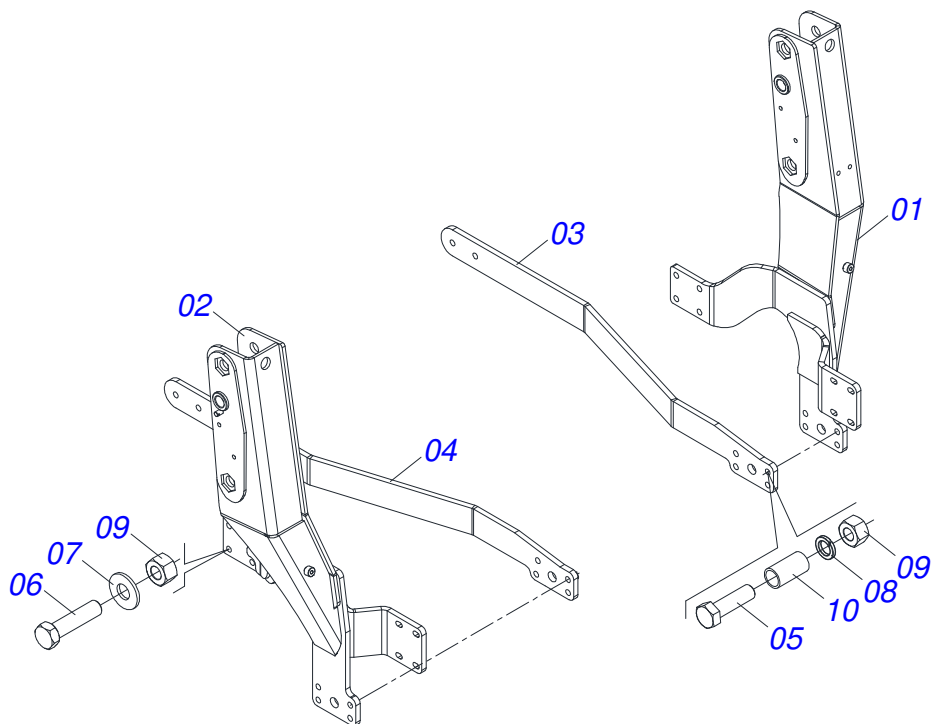
MARCHESAN

INDEX

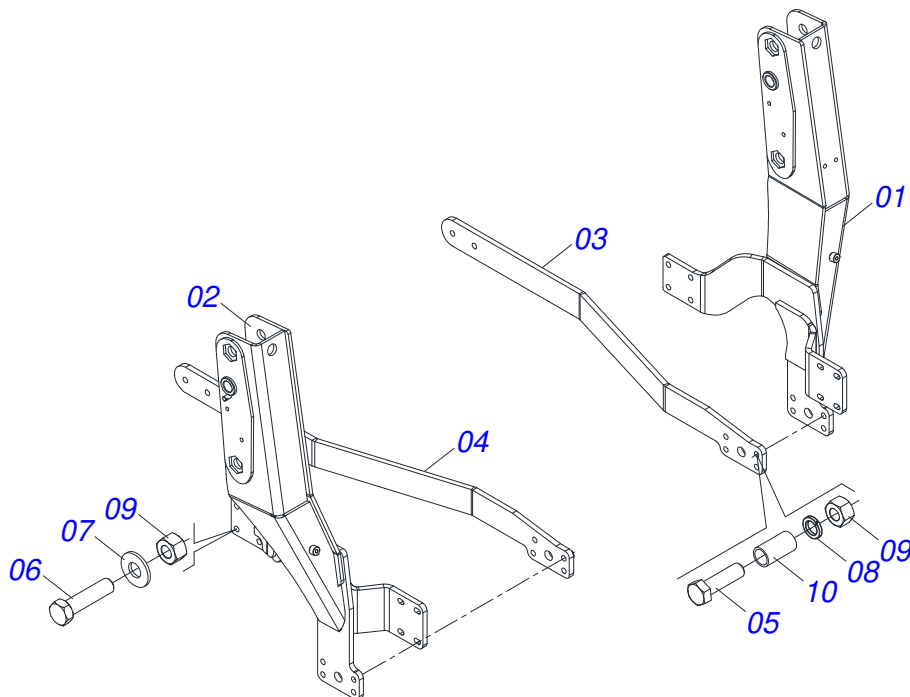
0909096884	PD 600	1
0531044047	FRAME ASSEMBLY WITH REAR BAR	2
0521047485	FRAME ASSEMBLY WITH REAR BAR	3
0521049957	MOBILE SUPPORT ASSY	4
0909096780	DECAL SET	5
0521046960	ASSY MOVEL SUPPORT	6
0501048330	MOBILE SUPPORT GUIDE ASSY	7
0511047750	2400 SCRAPER ASSY WITH STABILIZER BRACKET	8
0501047708	2400 BLADE SUPPORT	9
0909091585	DECAL SET	10
0521023646	WOODEN BOX WITH COMPONENTS	11
0501042819	1.1/4" NC X 33.46" ASSY ROD	12
0521047923	ROD	13
0909096367	HYDRAULIC CIRCUIT	14
0521050157	44,45 X 85,72 X 1049 X 360 - RIGHT HYDRAULIC CYLINDER	15
0521050158	44,45 X 85,72 X 1049 X 360 - LEFT HYDRAULIC CYLINDER	16
0511057771	R.7/8UNF - SAFETY VALVE	17
0511032856	PACKED PARTS	18
0501053834	MALE QUICK COUPLER	19
0501053835	FEMALE QUICK COUPLER	20
0521023647	WOODEN BOX WITH COMPONENTS	21
0531044005	JOYSTICK SUPPORT ASSEMBLY	22
0521047926	1/2" COMMAND	23
0909096404	HYDRAULIC CIRCUIT	24
0511032858	PACKED PARTS	25



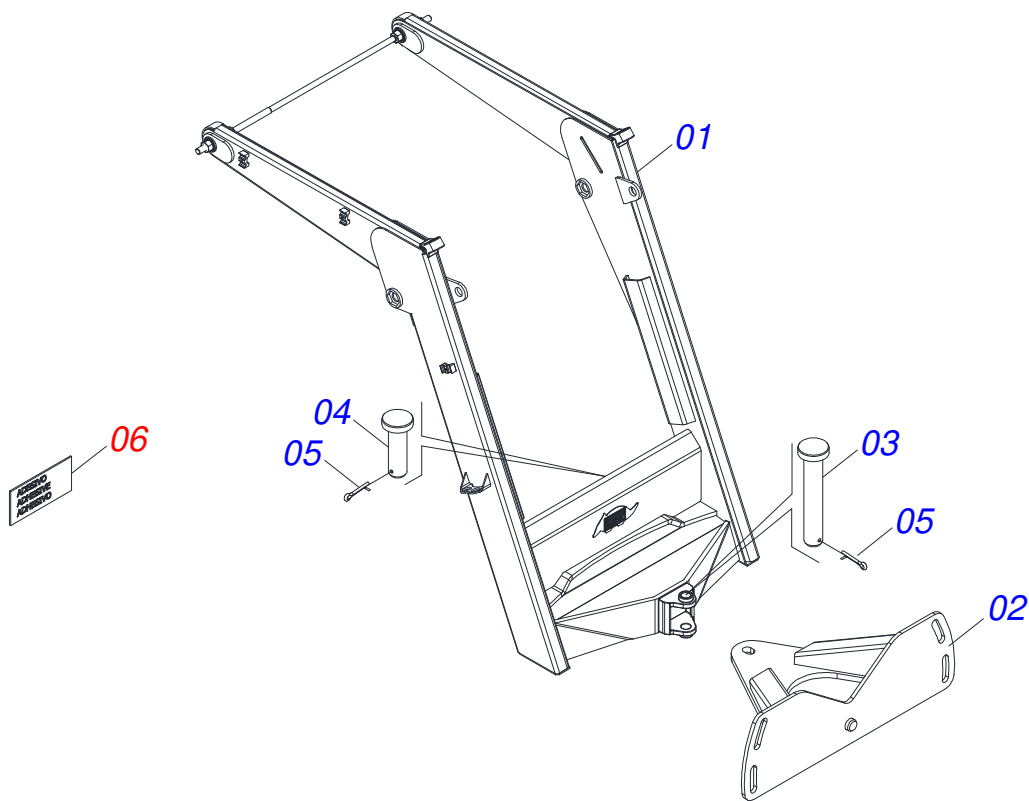
Item	Code	Description	See page	QT
01	0531044047	FRAME ASSEMBLY WITH REAR BAR	2	01
01.	0521047485	FRAME ASSEMBLY WITH REAR BAR	3	01
02	0521049957	MOBILE SUPPORT ASSY	4	01
02.	0521046960	ASSY MOVEL SUPPORT	6	01
03	0501048330	MOBILE SUPPORT GUIDE ASSY	7	01
04	0511047750	2400 SCRAPER ASSY WITH STABILIZER BRACKET	8	01
05	0521023646	WOODEN BOX WITH COMPONENTS	11	01
05.	0521023647	WOODEN BOX WITH COMPONENTS	21	01



Item	Code	Description	See page	QT
01	0531064900	RIGHT FRAME		01
02	0531064901	LEFT FRAME		01
03	0501216914	RIGHT REAR FIXING BAR		01
04	0501216915	LEFT REAR FIXING BAR		01
05	0503011084	3/4" X 5" BOLT		04
06	0501010500	3/4" X 3" BOLT		02
07	0501010322	FLAT WASHER		02
08	0503010023	3/4" SPRING WASHER		04
09	0503010014	3/4" HEX NUT		06
10	0581015170	SLEEVE		04



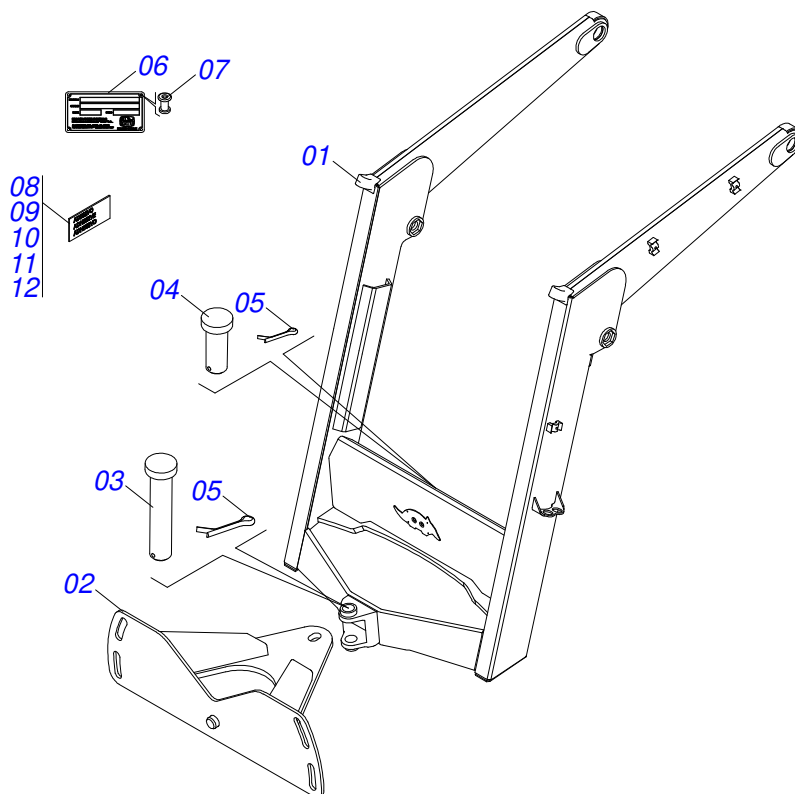
Item	Code	Description	See page	QT
01	0521067946	RIGHT FRAME		01
02	0521067947	LEFT FRAME		01
03	0581014707	REAR FIXING RIGHT BAR		01
04	0581014706	REAR FIXING LEFT BAR		01
05	0503011084	3/4" X 5" BOLT		04
06	0501010500	3/4" X 3" BOLT		02
07	0501010322	FLAT WASHER		02
08	0503010023	3/4" SPRING WASHER		04
09	0503010014	3/4" HEX NUT		06
10	0581015170	SLEEVE		04



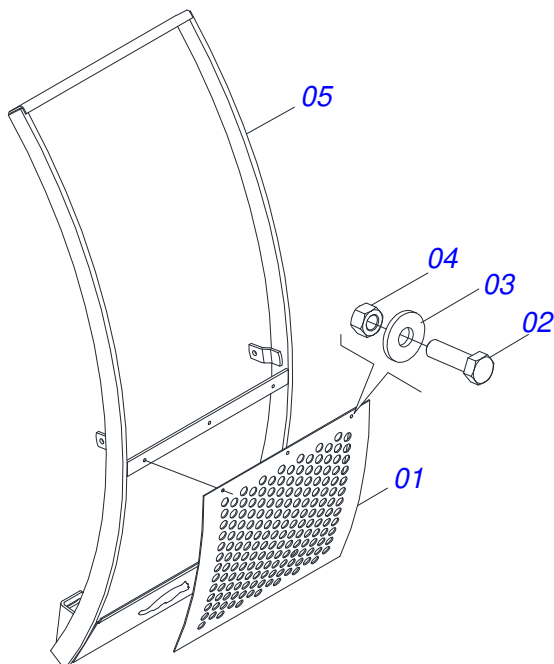
Item	Code	Description	See page	QT
01	0531060773	MOBILE SUPPORT		01
02	0501062637	5/8" REGULATOR SUPPORT		01
03	0521010618	1.4" X 8.6" COUPLING SHAFT		01
04	0521010612	1.4" X 3.5" COUPLING SHAFT		01
05	0503010010	1/4" X 2.1/2" SPLIT PIN		02
06	0909096780	DECAL SET	5	01



Item	Code	Description	See page	QT
01	0503064055	DECAL SET		01
02	0503034078	LIFTING POINTS DECAL		01
03	0503031087	AUTO CONTROL APPROVED DECAL		01
04	0503034003	61 X 118 SERIAL NUMBER TAG		01
05	0503010001	3.2 X 5.5 RIVET		04
06	0503036238	SAFETY LOCKING HYDRAULIC CYLINDERS DECAL		01
07	0503036239	ATTENTION FLUIDS WITH PRESSURE DECAL		01
08	0503031827	LUBRICATE AND RETIGHTEN DAILY DECAL		01
09	0503031428	READ MANUAL DECAL		01
10	0503036241	SAFETY CAUTION SHOCK HAZARD DECAL		01

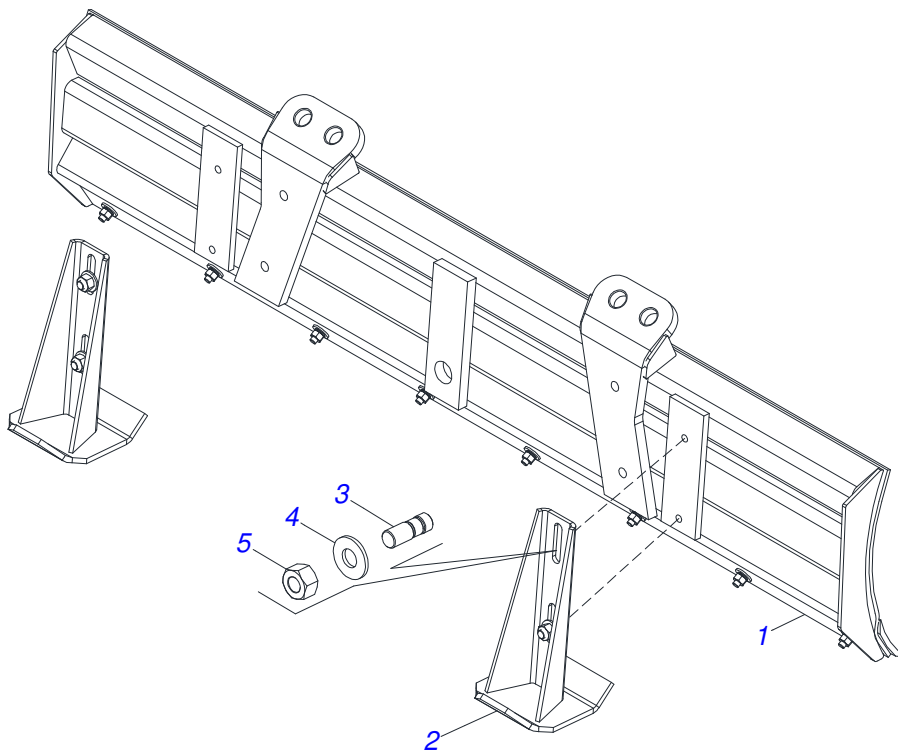


Item	Code	Description	See page	QT
01	0521067528	MOBILE SUPPORT		01
02	0501062637	5/8" REGULATOR SUPPORT		01
03	0521010618	1.4" X 8.6" COUPLING SHAFT		01
04	0521010612	1.4" X 3.5" COUPLING SHAFT		01
05	0503010010	1/4" X 2.1/2" SPLIT PIN		02
06	0503034003	61 X 118 SERIAL NUMBER TAG		01
07	0503010001	3.2 X 5.5 RIVET		04
08	0503031428	READ MANUAL DECAL		01
09	0503031827	LUBRICATE AND RETIGHTEN DAILY DECAL		01
10	0503062270	DECAL SET		01
11	0503034078	LIFTING POINTS DECAL		03
12	0503031087	AUTO CONTROL APPROVED DECAL		01

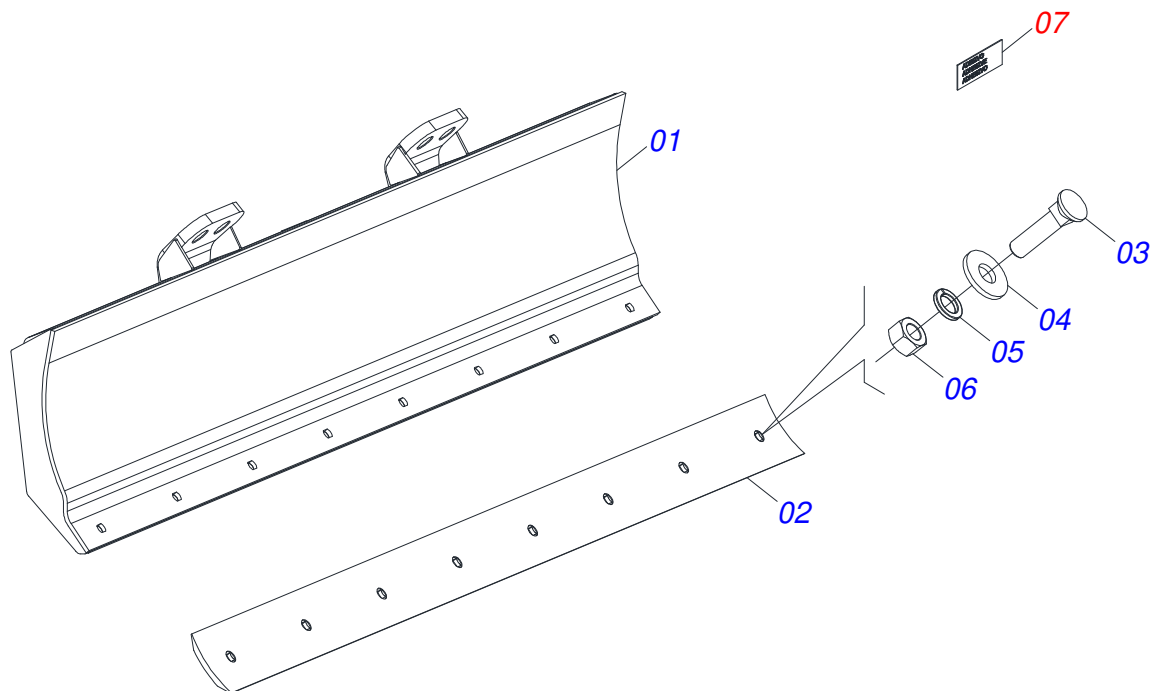


Item	Code	Description	See page	QT
01	0501014686	FRONT PROTECTION		01
02	0503010751	C3/8" X 1.1/4" HEX BOLT G.5		03
03	0501010984	10,50 X 27 X 3,00 FLAT WASHER		03
04	0503010026	3/8" NUT		03
05	0521064583	MOBILE SUPPORT GUIDE		01

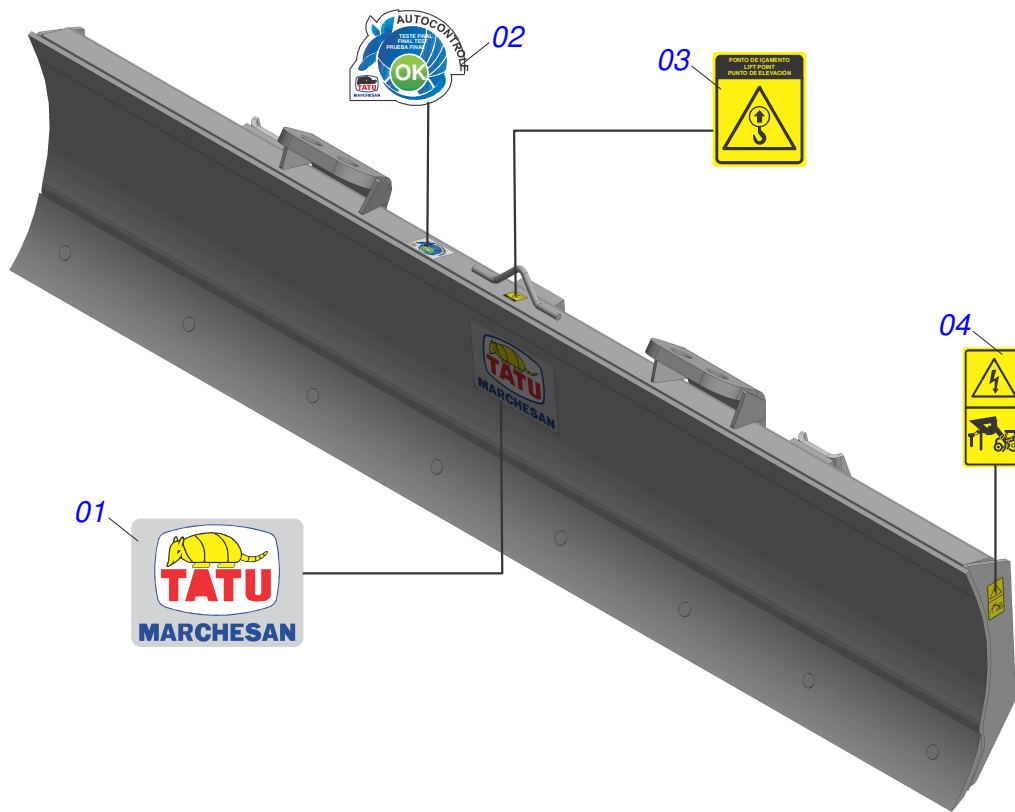
2400 SCRAPER ASSY WITH STABILIZER BRACKET



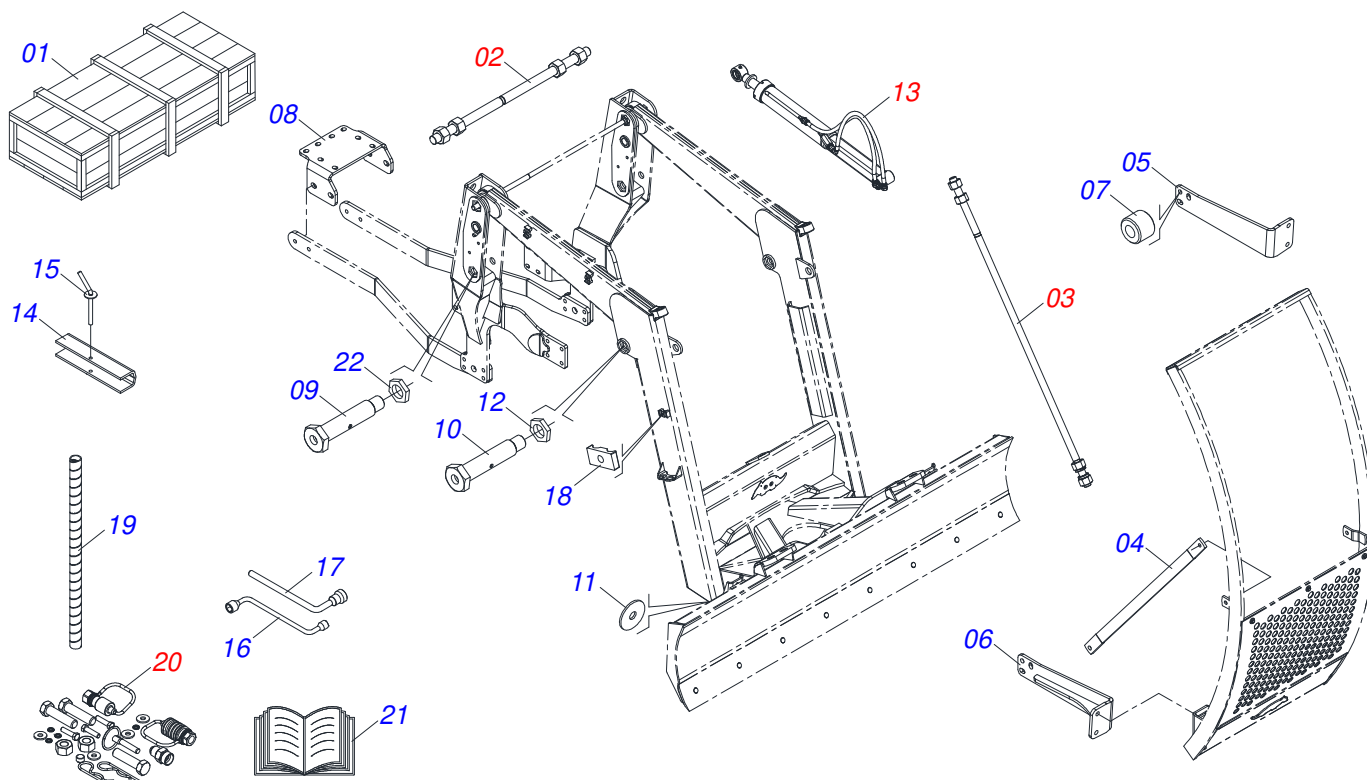
Item	Code	Description	See page	QT
01	0501047708	2400 BLADE SUPPORT	9	01
02	0501063411	STABILIZER SUPPORT		02
03	0561016756	3/4 UNC X 3/4 UNC X 56 PRISONER		04
04	0501010322	FLAT WASHER		04
05	0503010014	3/4" HEX NUT		04



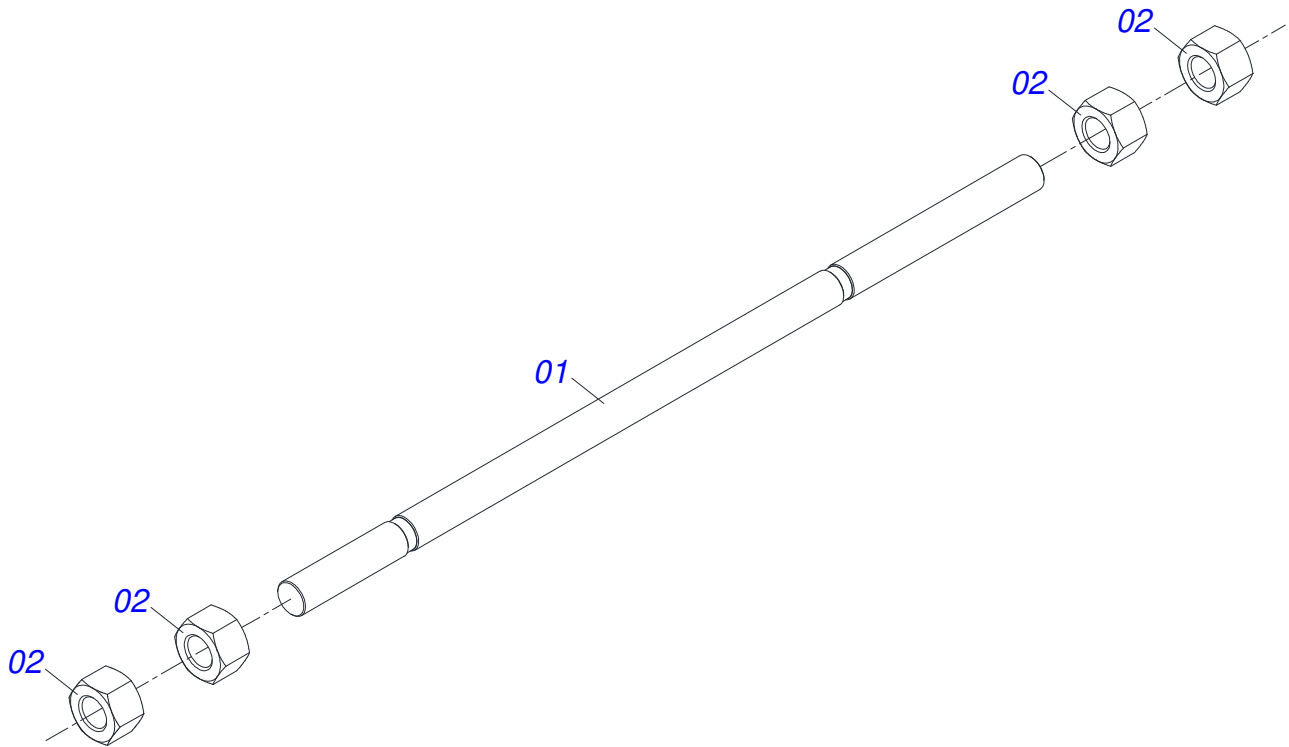
Item	Code	Description	See page	QT
01	0501067999	2390 BLADE SUPPORT		01
02	0622360016	94.5" SCRAPER REVERSIBLE		01
03	0501012240	BOLT		08
04	0501012140	FLAT WASHER		08
05	0503011445	SPRING WASHER		08
06	0503010013	5/8 NUT		08
07	0909091585	DECAL SET	10	01



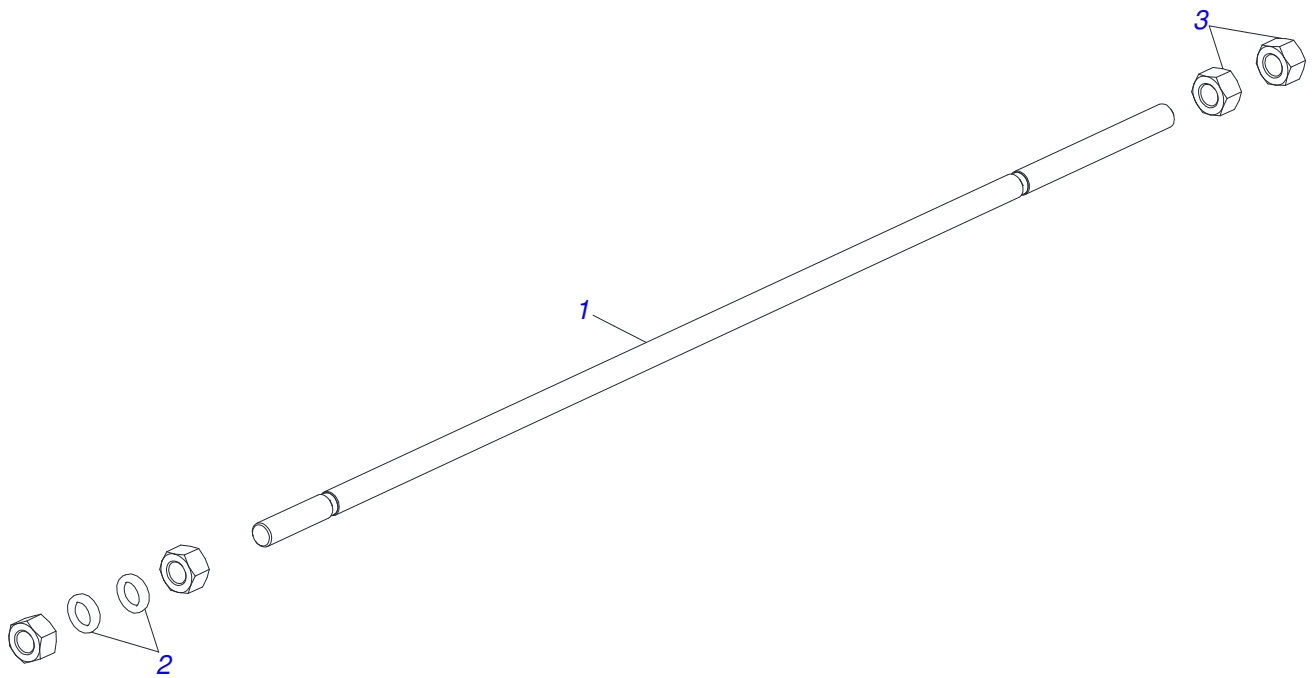
Item	Code	Description	See page	QT
01	0503033429	ADHESIVE LABEL		01
02	0503031087	AUTO CONTROL APPROVED DECAL		01
03	0503034078	LIFTING POINTS DECAL		02
04	0503036241	SAFETY CAUTION SHOCK HAZARD DECAL		01



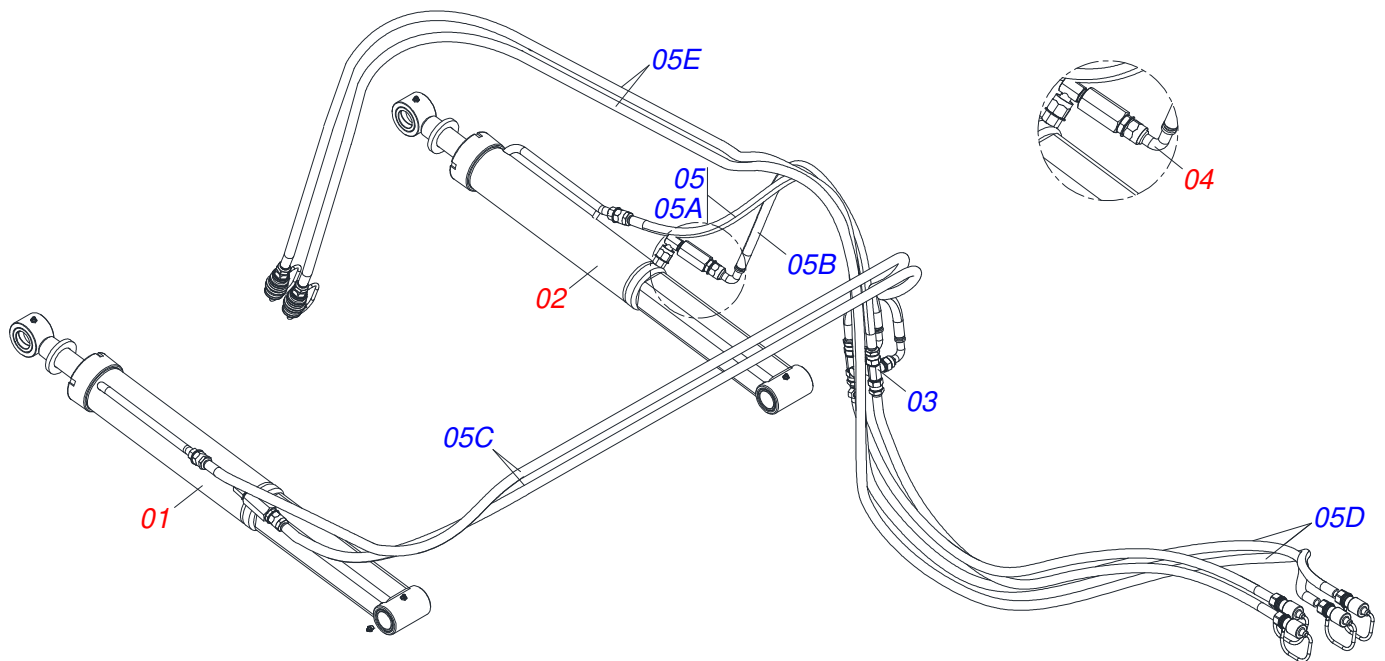
Item	Code	Description	See page	QT
01	0501100416	WOODEN BOX		01
02	0501042819	1.1/4" NC X 33.46" ASSY ROD	12	01
03	0521047923	ROD	13	02
04	0581014711	GUIDE BAR		02
05	0521067949	GUIDES LEFT FIXER		01
06	0521067948	GUIDE RIGHT FIXER		01
07	0581014710	SPACING BUSHING		02
08	0581014704	MOUNTING PLATE		01
09	0501216406	SCREW 1.1/4" UNF X 147		04
10	0571018265	1.1/4" UNF X 4.40" ZN BOLT		02
11	0501010574	FLAT WASHER		04
12	0581010243	WASHER HEX		02
13	0909096367	HYDRAULIC CIRCUIT	14	01
14	0501217728	LOCK FOR TRANSPORTATION		02
15	0501068994	8,30 X 78 LOCK PIN		02
16	0501068213	5/8" WRENCH DOUBLE		01
17	0501061617	1" GANG BOLT WRENCH		01
18	0502010477	HOSE CLAMP		05
19	0581010090	SPRING PROTECTION PLASTIC HOSE		02
20	0511032856	PACKED PARTS	18	01
21	0511033668	BAG WITH INSTRUCTION MANUAL		01
22	0501216405	WASHER 37,8 EXTERNAL HEXAGON 58 X 8,00		04



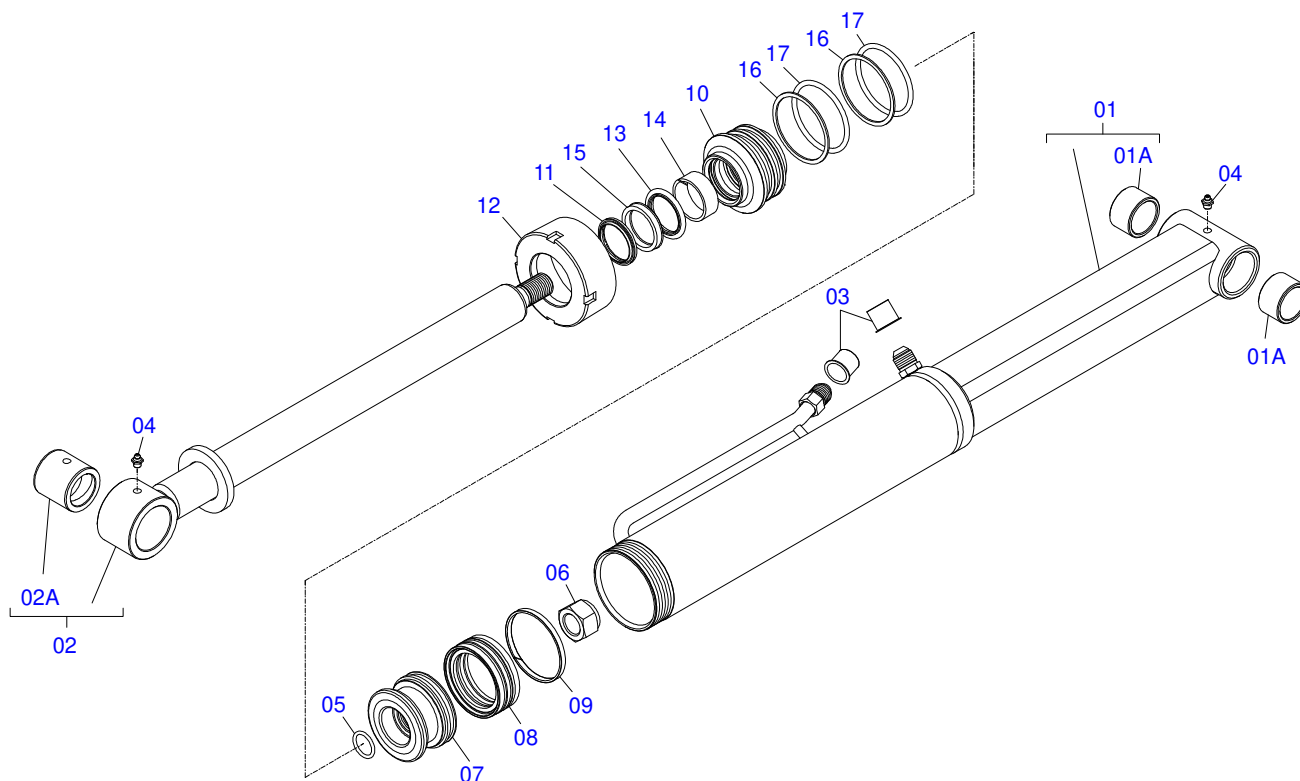
Item	Code	Description	See page	QT
01	0501018845	1.1/4" X 33.46" ROD		01
02	0501010087	1.1/4" NUT		04



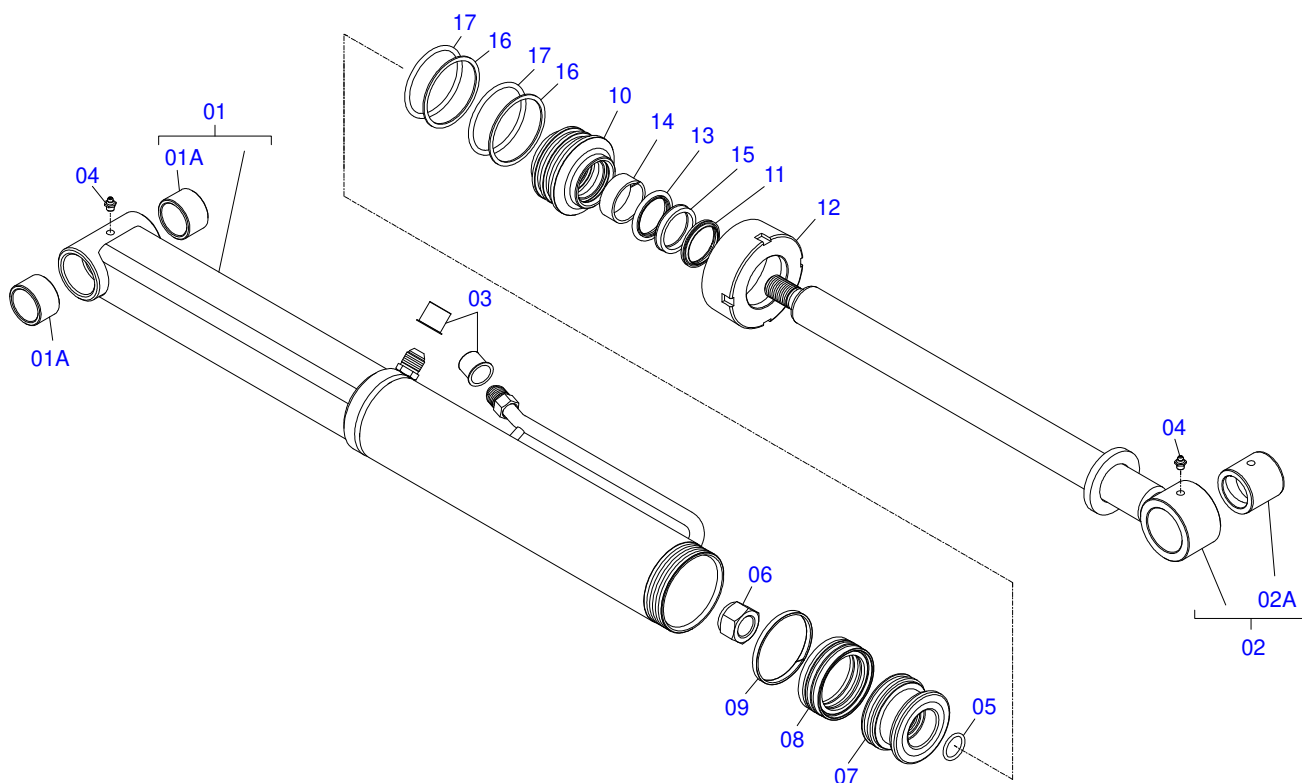
Item	Code	Description	See page	QT
01	0581016637	ROD		01
02	0502012180	CONICAL SPRING WASHER		02
03	0501010087	1.1/4" NUT		04



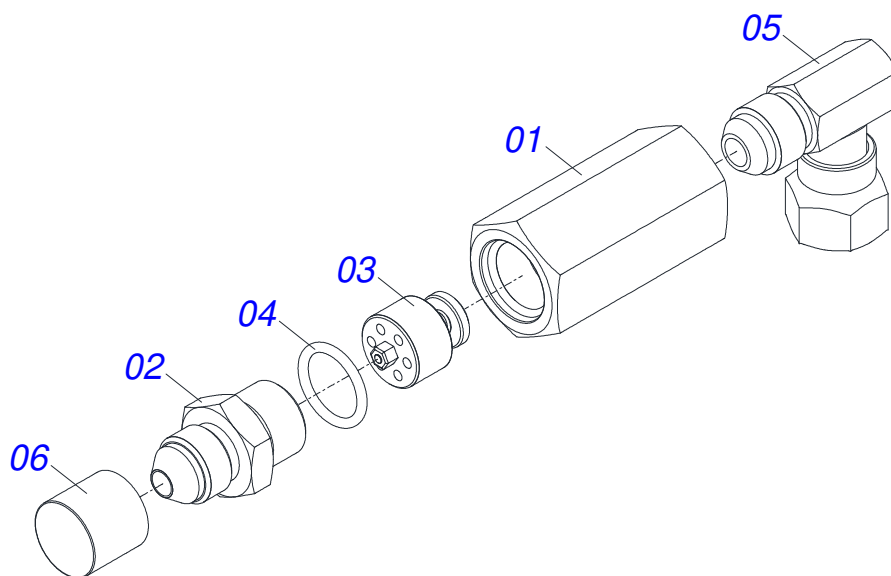
Item	Code	Description	See page	QT
01	0521050158	44,45 X 85,72 X 1049 X 360 - LEFT HYDRAULIC CYLINDER	16	01
02	0521050157	44,45 X 85,72 X 1049 X 360 - RIGHT HYDRAULIC CYLINDER	15	01
03	0521064869	7/8UNF JIC OIL DISTRIBUTOR		01
04	0511057771	R.7/8UNF - SAFETY VALVE	17	02
05	0521050822	HOSE KIT		01
05A	0501080825	1/2" X 1100 TR-TC HOSE		01
05B	0501080119	HOSE		01
05C	0501080016	1/2 X 2800 TR-TC HOSE		02
05D	0501080308	1/2 X 2750 TR-TM HOSE		02
05E	0501081929	HOSE 1/2 X 4500 TM-TM		02



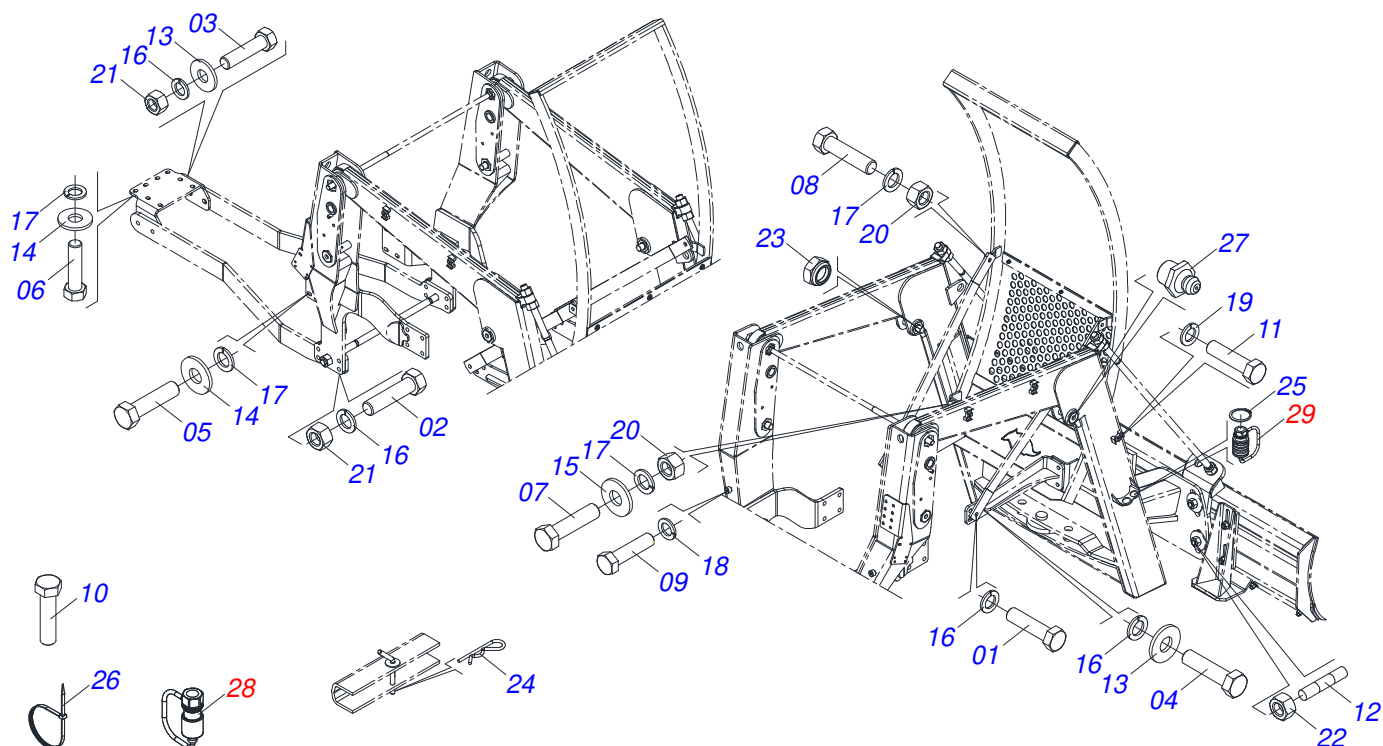
Item	Code	Description	See page	QT
01	0521067430	CYLINDER BODY		01
01A	0541014740	SLEEVE		02
02	0521067431	44,45 X 590 EXTENDER - PD VTR A750		01
02A	0521010514	38,1 X 52,9 X 50 SLEEVE INTER		01
03	0503030387	PLUG		02
04	0503010002	1800 GREASE FITTING		02
05	0503010042	2-214 N 3006-9B O'RING		01
06	0503010063	1" SELF-ALIGNING NUT		01
07	0571019710	1.7" X 3.4" PISTON		01
08	0503017935	RING		01
09	0503018144	RING		01
10	0571019711	RING SUPPORT		01
11	0503010761	D-1750 SCRAPER RING		01
12	0571019709	DETACHABLE COVER		01
13	0503017936	RING		01
14	0503017938	RING GUIDE		01
15	0503017937	GASKET		01
16	0503017940	8-337 BACK-UP RING		02
17	0503017939	2-337 N 3006-9B O' RING		02



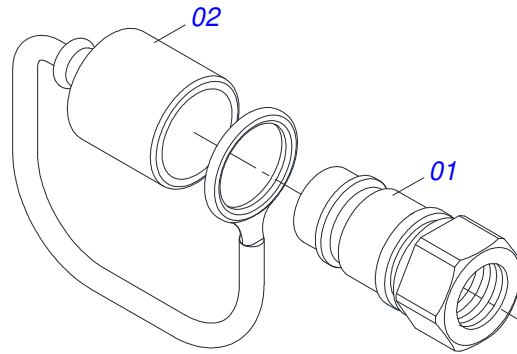
Item	Code	Description	See page	QT
01	0521067429	85,72 X 468 7/8 LEFT CYLINDER BODY - PD VTR A750		01
01A	0541014740	SLEEVE		02
02	0521067431	44,45 X 590 EXTENDER - PD VTR A750		01
02A	0521010514	38,1 X 52,9 X 50 SLEEVE INTER		01
03	0503030387	PLUG		02
04	0503010002	1800 GREASE FITTING		02
05	0503010042	2-214 N 3006-9B O'RING		01
06	0503010063	1" SELF-ALIGNING NUT		01
07	0571019710	1.7" X 3.4" PISTON		01
08	0503017935	RING		01
09	0503018144	RING		01
10	0571019711	RING SUPPORT		01
11	0503010761	D-1750 SCRAPER RING		01
12	0571019709	DETACHABLE COVER		01
13	0503017936	RING		01
14	0503017938	RING GUIDE		01
15	0503017937	GASKET		01
16	0503017940	8-337 BACK-UP RING		02
17	0503017939	2-337 N 3006-9B O' RING		02



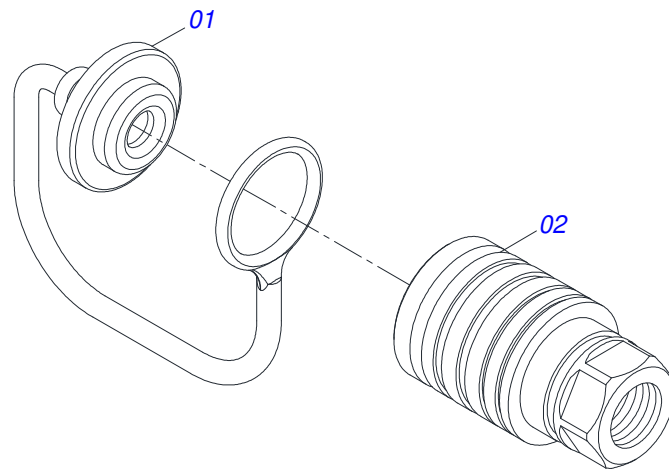
Item	Code	Description	See page	QT
01	0503018033	37 X R.7/8 UNF 90° JIC MALE CONNECTOR WITH ROTATING NUT		01
02	0581014053	1/2 BSP X 7/8 UNF JIC X 64 ADAPTER		01
03	0503016854	SAFETY VALVE		01
04	0503010045	O'RING		01
05	0581014052	1/2 BSP X 7/8 UNF JIC X 43 NIPLE		01
06	0503030387	PLUG		01



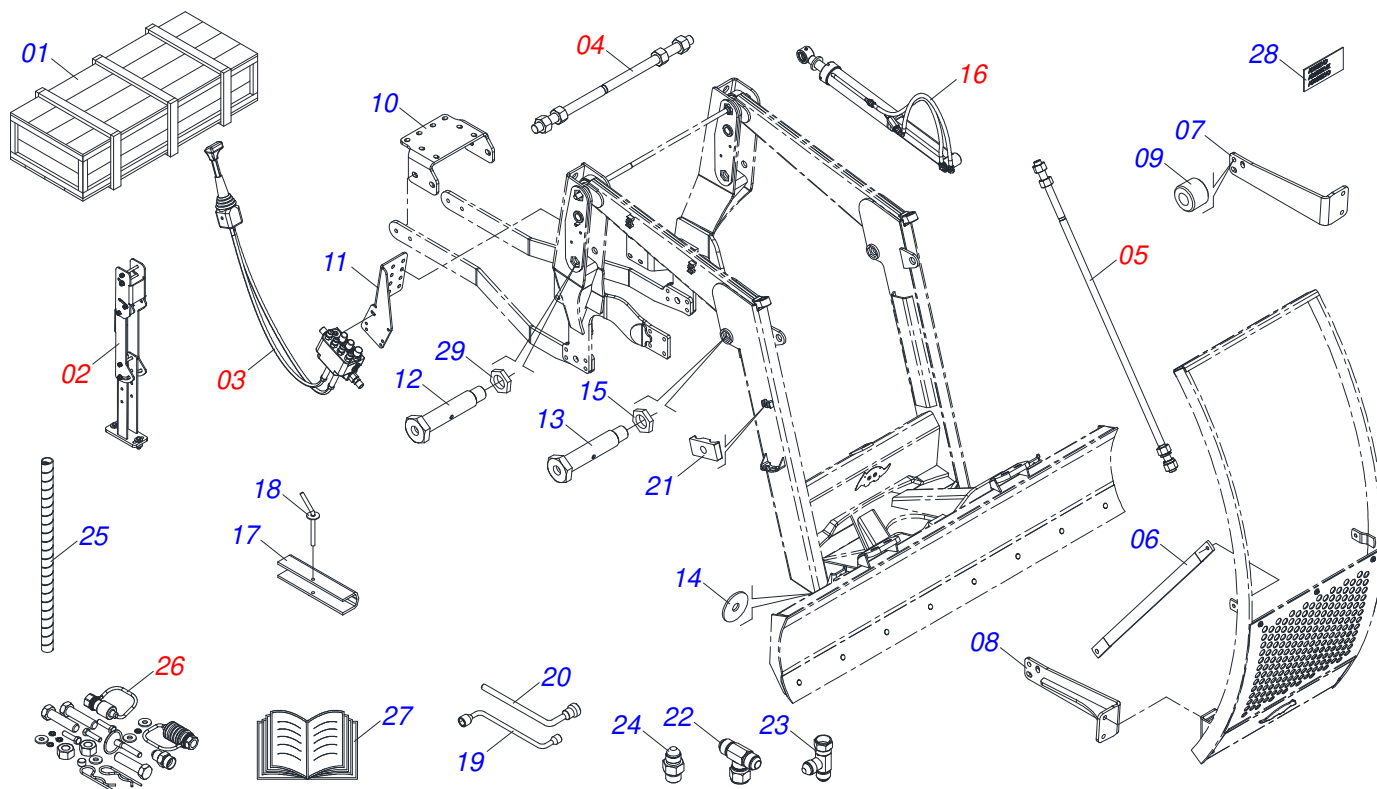
Item	Code	Description	See page	QT
01	0501010195	3/4" X 3-1/2" BOLT		02
02	0501010500	3/4" X 3" BOLT		08
03	0501010125	3/4" X 2-1/2" BOLT		12
04	0501010098	3/4" UNC BOLT		04
05	0503011730	M16 X 2 X 60 BOLT		08
06	0503010148	M16 X 2 X 40 BOLT		08
07	0503010899	5/8 UNC X 2.1/4 BOLT		04
08	0501010100	SCREW 5/8 UNC X 2 CS G.5 ZN		02
09	0503011239	1/2" X 2" BOLT		01
10	0501010155	1/2" X 1" BOLT		01
11	0503011135	BOLT		03
12	0561016755	PRISONER 1 UNC X 1 UNC X 76 ZN		04
13	0501010322	FLAT WASHER		08
14	0501010453	FLAT WASHER		16
15	0501012140	FLAT WASHER		04
16	0503010023	3/4" SPRING WASHER		26
17	0503010027	5/8 SPRING WASHER		22
18	0503010019	1/2" SPRING WASHER		02
19	0503010180	7/16" SPRING WASHER		03
20	0503010013	5/8 NUT		06
21	0503010014	3/4" HEX NUT		12
22	0501010059	1.5/8 NUT		04
23	0503010044	1-1/4" SELF LOCKING NUT		06
24	0503030168	HITCH PIN CLIP		02
25	0503010217	501040 CLAMPING RING (FOR AXLE)		04
26	0503013527	CLAMP ZIPER		10
27	0503010002	1800 GREASE FITTING		06
28	0501053834	MALE QUICK COUPLER	19	04
29	0501053835	FEMALE QUICK COUPLER	20	02



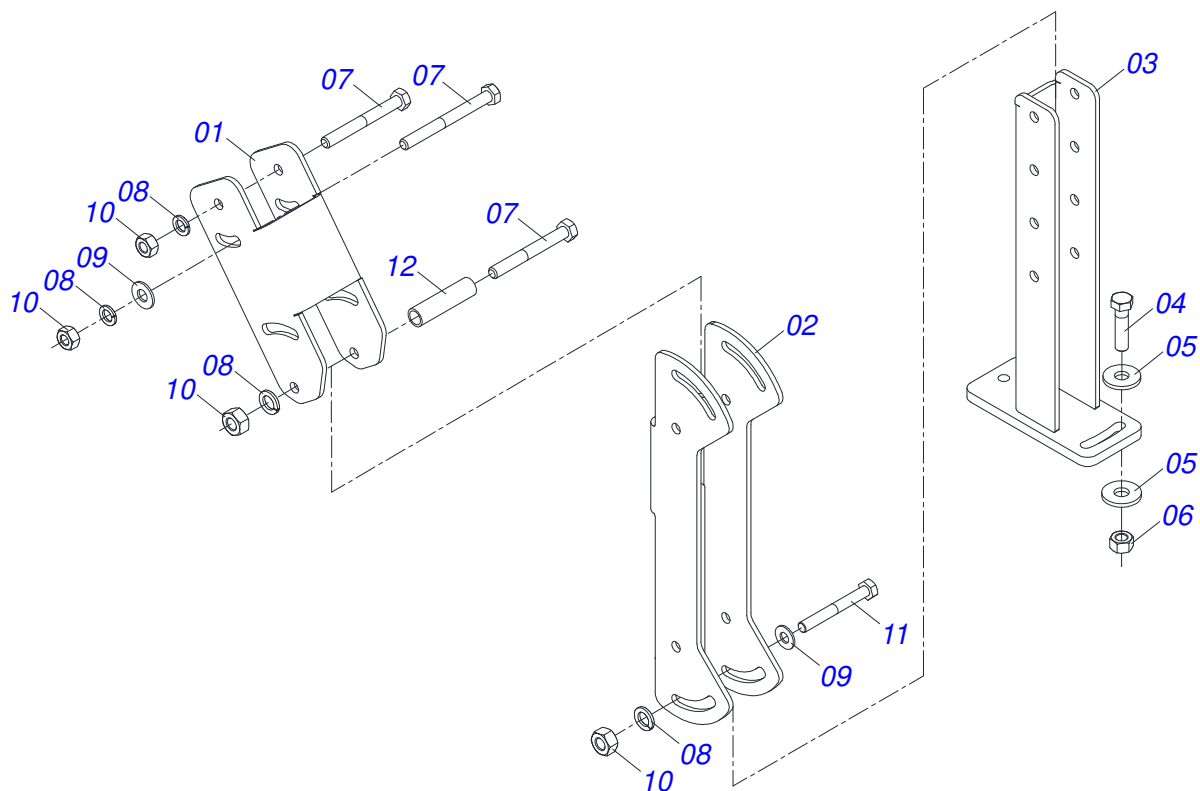
Item	Code	Description	See page	QT
01	0503011627	MALE QUICK COUPLER AGR 1/2 NPT		01
02	0503011882	MALE QUICK COUPLER CAP		01



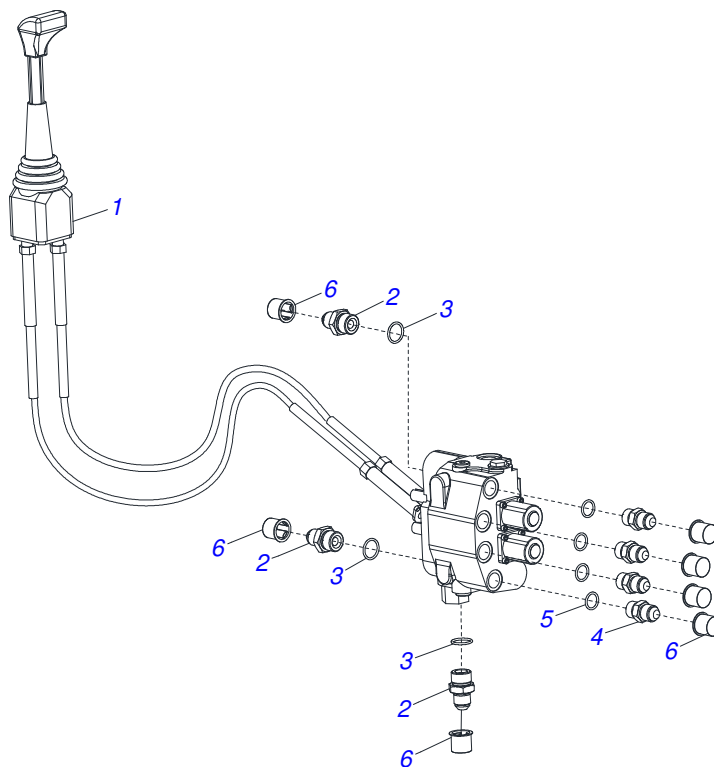
Item	Code	Description	See page	QT
01	0503011883	QUICK CONNECTION COVER		01
02	0503011628	FEMALE QUICK COUPLER		01



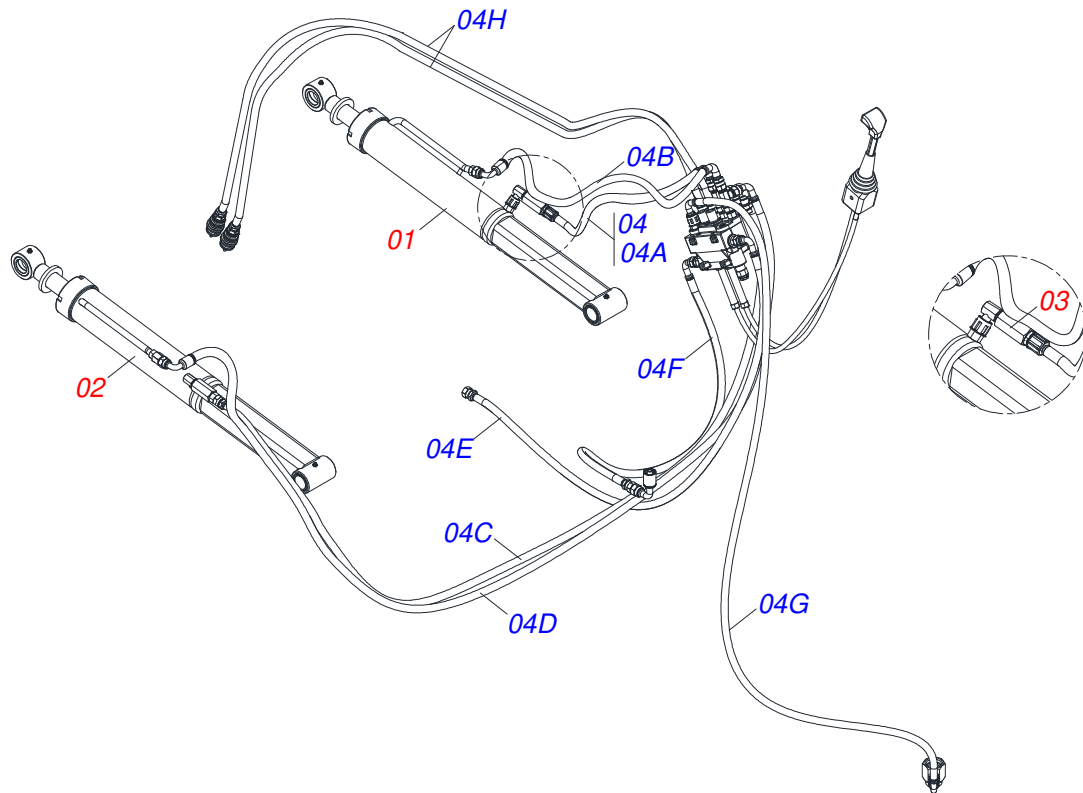
Item	Code	Description	See page	QT
01	0501100416	WOODEN BOX		01
02	0531044005	JOYSTICK SUPPORT ASSEMBLY	22	01
03	0521047926	1/2" COMMAND	23	01
04	0501042819	1.1/4" NC X 33.46" ASSY ROD	12	01
05	0521047923	ROD	13	02
06	0581014711	GUIDE BAR		02
07	0521067949	GUIDES LEFT FIXER		01
08	0521067948	GUIDE RIGHT FIXER		01
09	0581014710	SPACING BUSHING		02
10	0581014704	MOUNTING PLATE		01
11	0501217866	CONTROL FIXING BASE		01
12	0501216406	SCREW 1.1/4" UNF X 147		04
13	0571018265	1.1/4" UNF X 4.40" ZN BOLT		02
14	0501010574	FLAT WASHER		04
15	0581010243	WASHER HEX		02
16	0909096404	HYDRAULIC CIRCUIT	24	01
17	0501217728	LOCK FOR TRANSPORTATION		02
18	0501068994	8,30 X 78 LOCK PIN		02
19	0501068213	5/8" WRENCH DOUBLE		01
20	0501061617	1" GANG BOLT WRENCH		01
21	0502010477	HOSE CLAMP		05
22	0503013055	"T" ADAPTOR WITH GIRAT NUT		01
23	0503062177	7/8 (V.C) T-ADAPTER WITH NUT		02
24	0561016699	NIPPLE FITTING		02
25	0581010090	SPRING PROTECTION PLASTIC HOSE		02
26	0511032858	PACKED PARTS	25	01
27	0511033668	BAG WITH INSTRUCTION MANUAL		01
28	0503034113	ADHESIVE LABEL		01
29	0501216405	WASHER 37,8 EXTERNAL HEXAGON 58 X 8,00		04



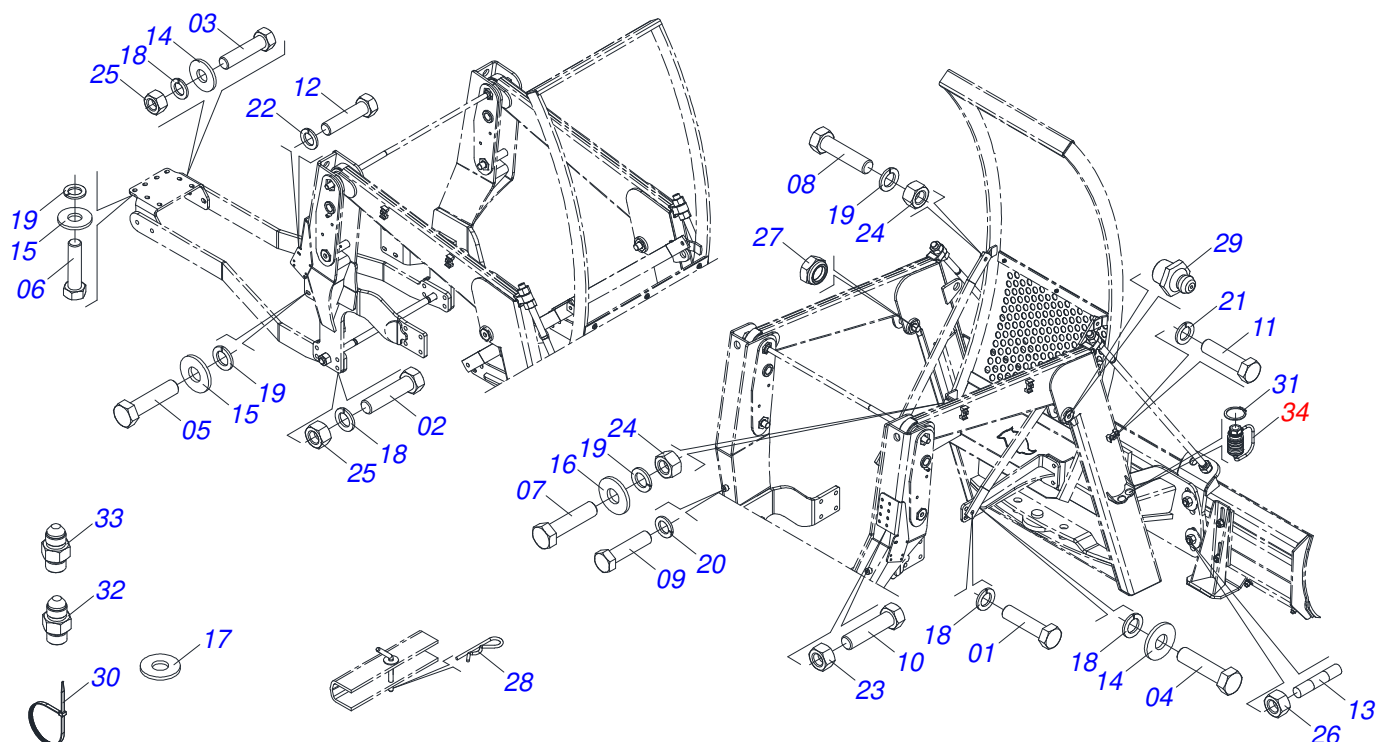
Item	Code	Description	See page	QT
01	0501217764	UPPER BODY JOYSTICK SUPPORT		01
02	0501217765	CENTRAL BODY JOYSTICK SUPPORT		01
03	0531065170	JOYSTICK BOTTOM SUPPORT		01
04	0503010849	3/8" X 1-1/2" BOLT		02
05	0501010984	10,50 X 27 X 3,00 FLAT WASHER		04
06	0503010026	3/8" NUT		02
07	0503010848	5/16" X 3.1/2" BOLT		04
08	0503010179	LOCK WASHER 5/16 ZN 1K01528		06
09	0501010694	FLAT WASHER		06
10	0503010337	5/16" NUT		06
11	0503011053	5/16" X 3" C S 6.5 ZN BOLT		02
12	0541015551	0.39" X 0.512" X 1.9" SLEEVE		02



Item	Code	Description	See page	QT
01	0503062415	ASSY JOYSTICK CONTROL SDM122/2		01
02	0511018014	7/8"NF X 1.1/16 UN NIPPLE		03
03	0503011109	2-119 N 3006-9B O'RING		03
04	0501010590	NIPPLE		04
05	0503010045	O'RING		04
06	0503030387	PLUG		07



Item	Code	Description	See page	QT
01	0521050157	44,45 X 85,72 X 1049 X 360 - RIGHT HYDRAULIC CYLINDER	15	01
02	0521050158	44,45 X 85,72 X 1049 X 360 - LEFT HYDRAULIC CYLINDER	16	01
03	0511057771	R.7/8UNF - SAFETY VALVE	17	02
04	0521051333	HOSE KIT		01
04A	0501080218	1/2 X 750 HOSE		01
04B	0501081410	HOSE 1/2 X 850 TC-TC		01
04C	0501081638	1/2 X 1050 TC-TR HOSE		01
04D	0501080067	1/2 X 1150 TC-TC HOSE		01
04E	0501080225	1/2" X 2150 TR-TR HOSE		01
04F	0501081521	1/2 X 2250 TC-TC HOSE		01
04G	0501080786	1/2" X 98,4" TC-TC HOSE		01
04H	0501080308	1/2 X 2750 TR-TM HOSE		02



Item	Code	Description	See page	QT
01	0501010195	3/4" X 3-1/2" BOLT		02
02	0501010500	3/4" X 3" BOLT		08
03	0501010125	3/4" X 2-1/2" BOLT		12
04	0501010098	3/4" UNC BOLT		04
05	0503011730	M16 X 2 X 60 BOLT		08
06	0503010148	M16 X 2 X 40 BOLT		08
07	0503010899	5/8 UNC X 2.1/4 BOLT		04
08	0501010100	SCREW 5/8 UNC X 2 CS G.5 ZN		02
09	0503011239	1/2" X 2" BOLT		01
10	0501010063	1/2" X 1-1/2" BOLT		02
11	0503011135	BOLT		03
12	0503016506	5/16 UNC X 3/4 C S G.5 ZN BOLT		04
13	0561016755	PRISONER 1 UNC X 1 UNC X 76 ZN		04
14	0501010322	FLAT WASHER		08
15	0501010453	FLAT WASHER		16
16	0501012140	FLAT WASHER		04
17	0501010694	FLAT WASHER		01
18	0503010023	3/4" SPRING WASHER		26
19	0503010027	5/8 SPRING WASHER		22
20	0503010019	1/2" SPRING WASHER		01
21	0503010180	7/16" SPRING WASHER		03
22	0503010179	LOCK WASHER 5/16 ZN 1K01528		04
23	0503011336	1/2" HEX SELF ADJUSTING NUT		02
24	0503010013	5/8 NUT		06
25	0503010014	3/4" HEX NUT		12
26	0501010059	1.5/8 NUT		04
27	0503010044	1-1/4" SELF LOCKING NUT		06
28	0503030168	HITCH PIN CLIP		02
29	0503010002	1800 GREASE FITTING		06
30	0503013527	CLAMP ZIPER		10
31	0503010217	501040 CLAMPING RING (FOR AXLE)		04



PD 600
PACKED PARTS

Page 25
0511032858

Item	Code	Description	See page	QT
32	0501010590	NIPPLE		01
33	0521014704	HOSE NIPPLE 3/4 UNF		03
34	0501053835	FEMALE QUICK COUPLER	20	02



MARCHESAN

Technical Publications | Elaboration and Revision

LEONARDO JOSÉ DA SILVA SOUZA

www.marchesan.com.br

