

**PD - FRONT LOADER**

**PD 800**

**Code:** 0501093610  
**Series:** S-0123  
**Revision:** 00  
**Date Revision:** AGOSTO/2023

# PARTS CATALOGUE



**MARCHESAN**



# PRODUCTS

<b>Code</b>	<b>Description</b>
0106120068	PD 800 S-0123
0106120069	PD 800 S-0123
0106120070	PD 800 S-0123
0106120071	PD 800 S-0123

## **ATTENTION: IMPORTANT**

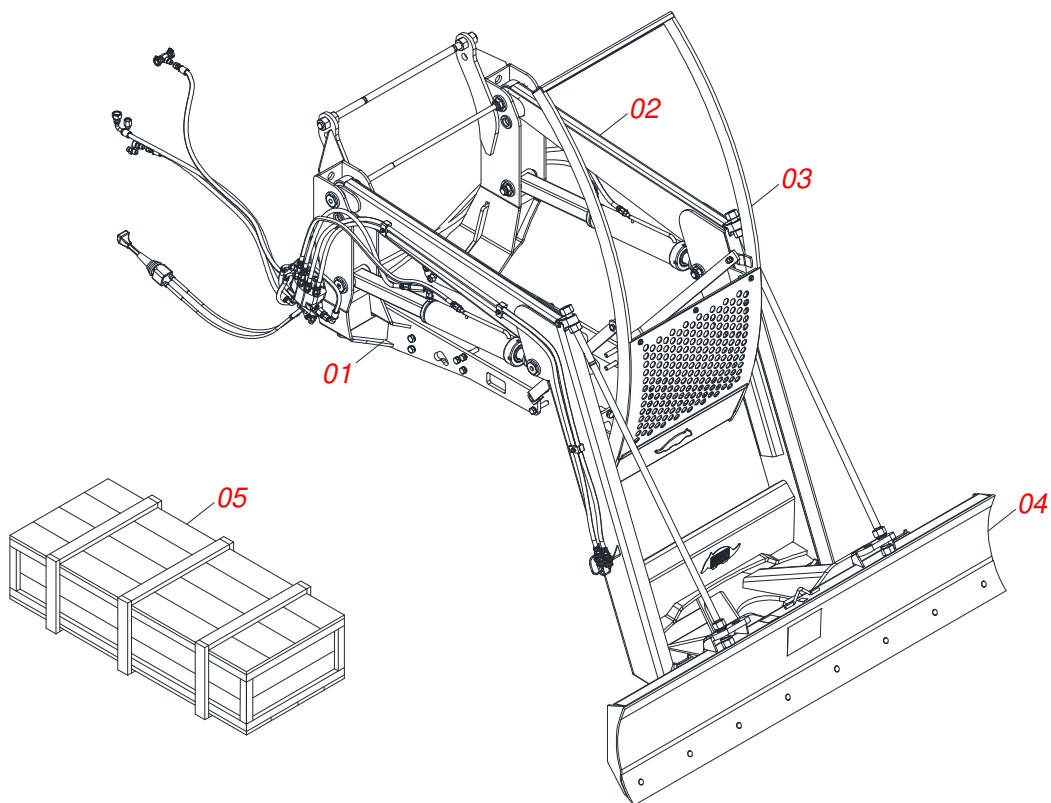
Marchesan S.A. reserves the right to improve and/or modify the technical features of its products, without obligation to do the same with those products already sold and without prior knowledge of the dealer or the customer. The photos are only illustrative.



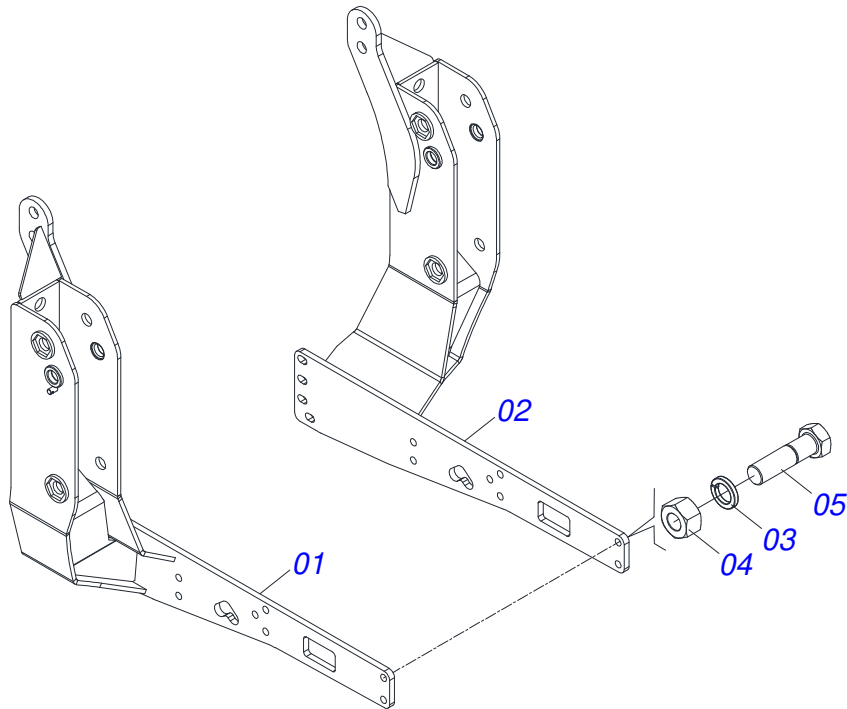
**MARCHESAN**

# INDEX

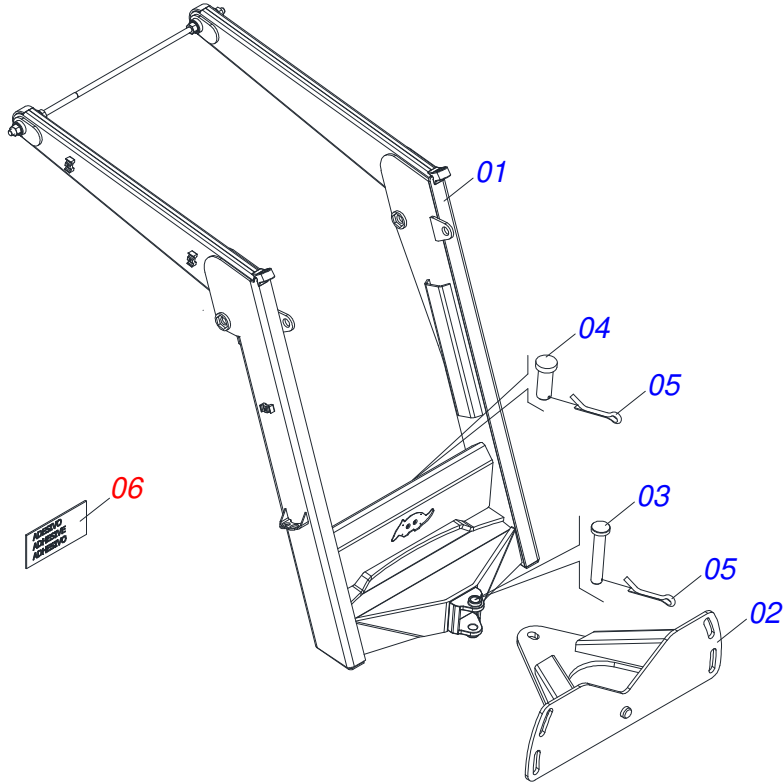
0909096835	PD 800	.....	1
0531045160	FRAME SET	.....	2
0521047902	MOBILE SUPPORT ASSY	.....	3
0501048330	MOBILE SUPPORT GUIDE ASSY	.....	4
0511047750	2400 SCRAPER ASSY WITH STABILIZER BRACKET	.....	5
0501047708	2400 BLADE SUPPORT	.....	6
0909091585	LABEL SET	.....	7
0521029853	BOX WITH COMPONENTS	.....	8
0511043351	1.1/4" X 40" ROD	.....	9
0909096837	HYDRAULIC CIRCUIT	.....	10
0521051546	HYDRAULIC CYLINDER	.....	11
0511057771	R.7/8UNF - SAFETY VALVE	.....	12
0511034658	PACKAGED PARTS	.....	13
0501053834	MALE QUICK COUPLER	.....	14
0501053835	FEMALE QUICK COUPLER	.....	15
0521047923	ROD	.....	16
0521029855	BOX WITH COMPONENTS	.....	17
0909096838	HYDRAULIC CIRCUIT	.....	18
0521047926	1/2" COMMAND	.....	19
0511034659	PACKAGED PARTS	.....	20
0531044005	SET SUPPORT JOY STICK	.....	21
0521029863	BOX WITH COMPONENTS	.....	22
0521047929	HYDRAULIC COMMAND 1/2 1,5 M	.....	23
0909096839	HYDRAULIC CIRCUIT	.....	24
0511034665	PACKAGED PARTS	.....	25
0521029869	BOX WITH COMPONENTS	.....	26
0909096840	HYDRAULIC CIRCUIT	.....	27
0511034666	PACKAGED PARTS	.....	28
0531045184	CONNECTION LOAD SENSING	.....	29



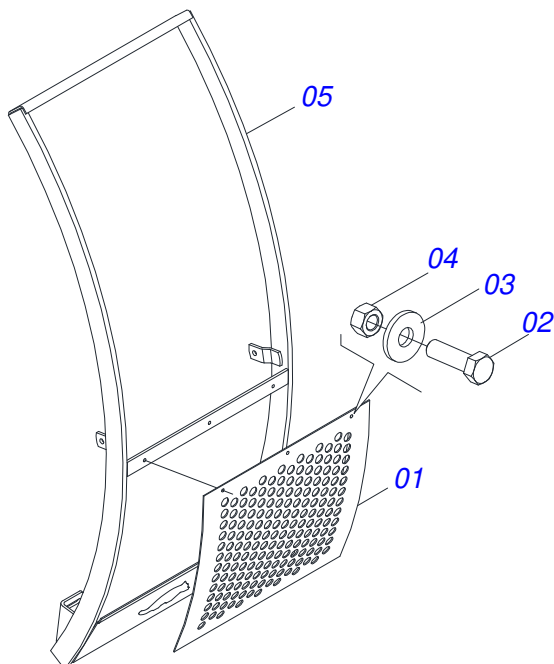
Item	Code	Description	See page	QT
01	0531045160	FRAME SET	2	01
02	0521047902	MOBILE SUPPORT ASSY	3	01
03	0501048330	MOBILE SUPPORT GUIDE ASSY	4	01
04	0511047750	2400 SCRAPER ASSY WITH STABILIZER BRACKET	5	01
05	0521029853	BOX WITH COMPONENTS	8	01
05.	0521029855	BOX WITH COMPONENTS	17	01
05..	0521029863	BOX WITH COMPONENTS	22	01
05...	0521029869	BOX WITH COMPONENTS	26	01



Item	Code	Description	See page	QT
01	0531066425	RIGHT FRAME		01
02	0521067691	LEFT FRAME		01
03	0503010023	3/4" SPRING WASHER		04
04	0503010014	3/4" HEX NUT		04
05	0501010827	3/4" X 2-3/4" BOLT		04

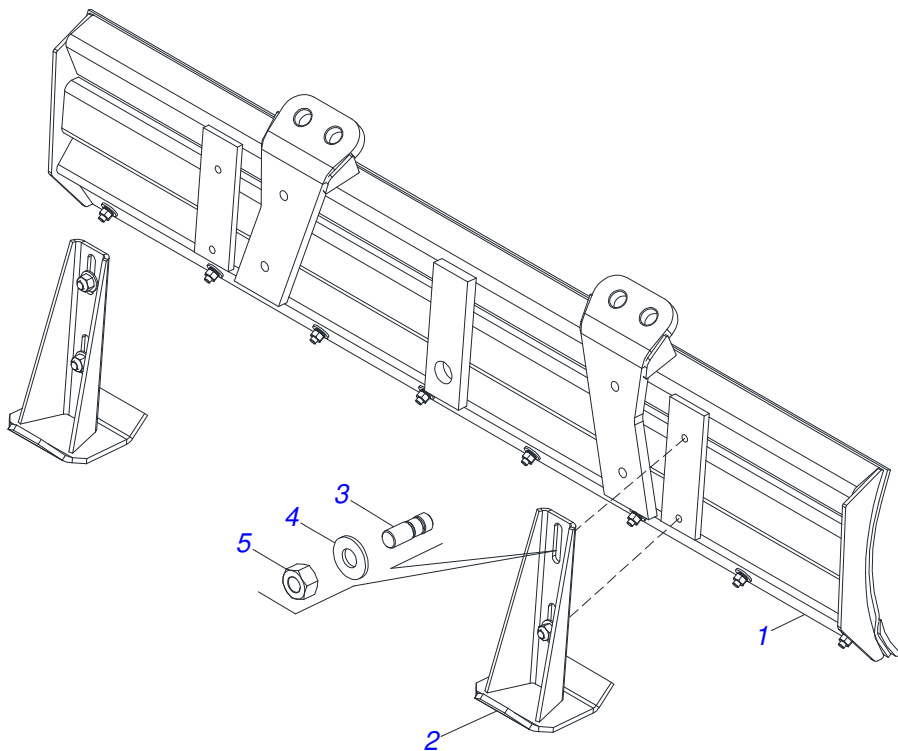


Item	Code	Description	See page	QT
01	0521068513	MOBILE SUPPORT		01
02	0501062637	5/8" REGULATOR SUPPORT		01
03	0521010618	1.4" X 8.6" COUPLING SHAFT		01
04	0521010612	1.4" X 3.5" COUPLING SHAFT		01
05	0503010010	1/4" X 2.1/2" SPLIT PIN		02
06	0909096836	DECAL SET		01



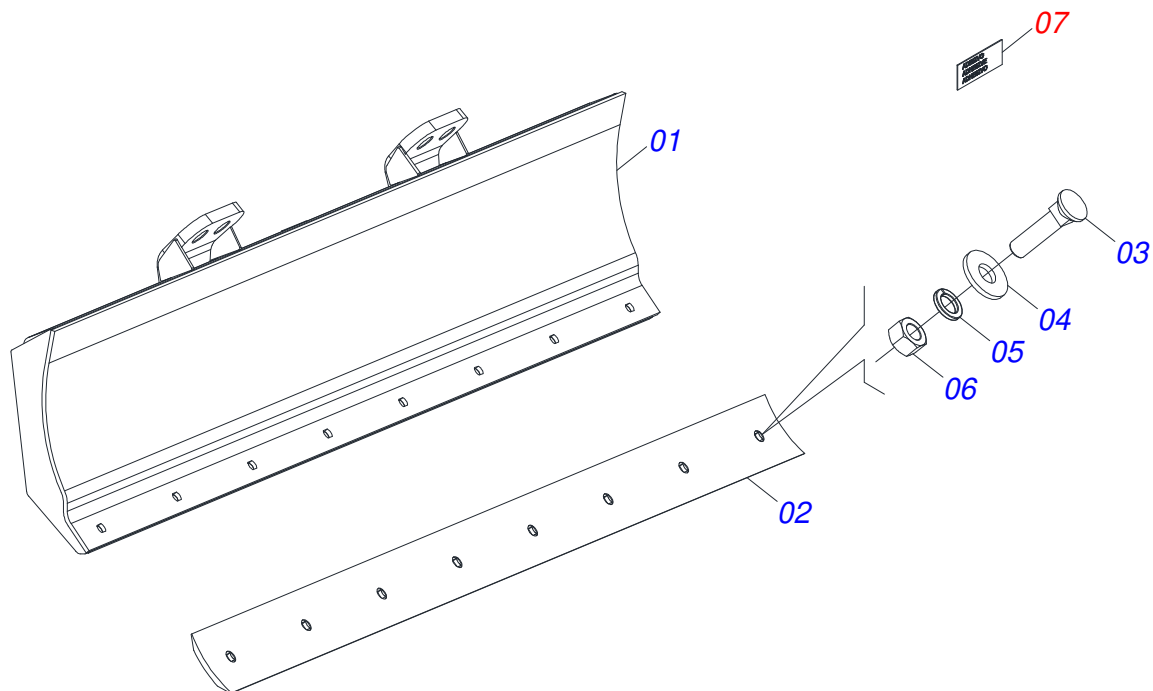
Item	Code	Description	See page	QT
01	0501014686	FRONT PROTECTION		01
02	0503010751	C3/8" X 1.1/4" HEX BOLT G.5		03
03	0501010984	10,50 X 27 X 3,00 FLAT WASHER		03
04	0503010026	3/8" NUT		03
05	0521064583	MOBILE SUPPORT GUIDE		01

2400 SCRAPER ASSY WITH STABILIZER BRACKET

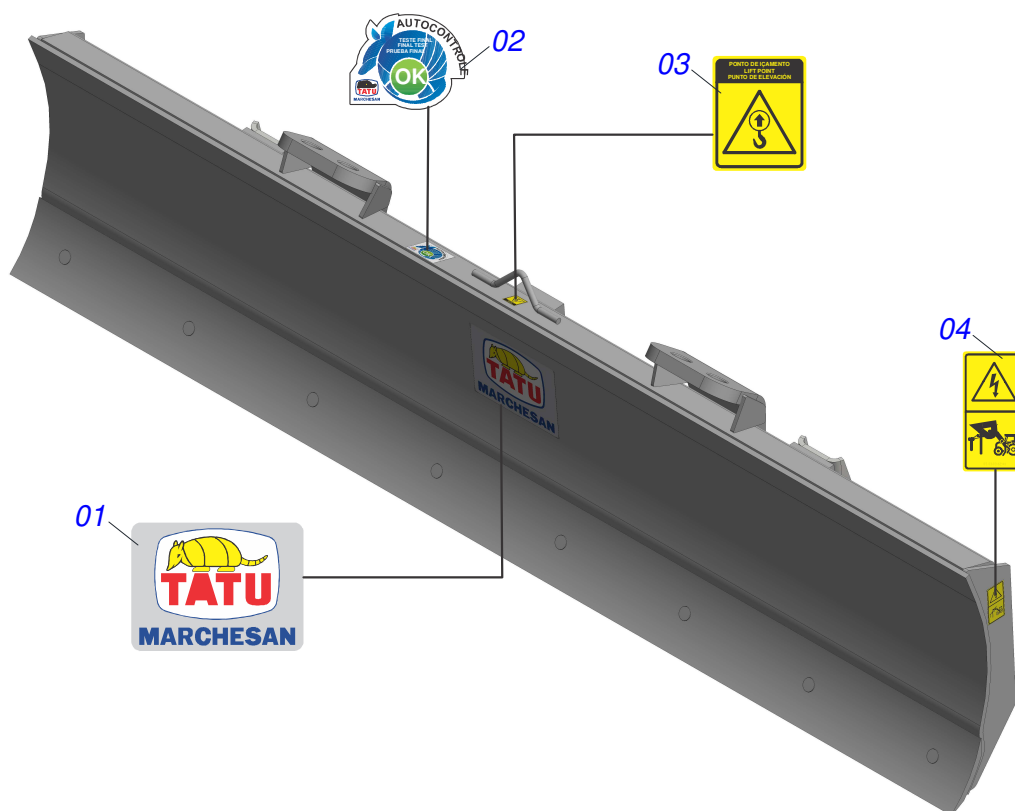


Item	Code	Description	See page	QT
01	0501047708	2400 BLADE SUPPORT	6	01
02	0501063411	ESTABILIZER BRACKET		02
03	0561016756	3/4 UNC X 3/4 UNC X 56 PRISONER		04
04	0501010322	FLAT WASHER		04
05	0503010014	3/4" HEX NUT		04

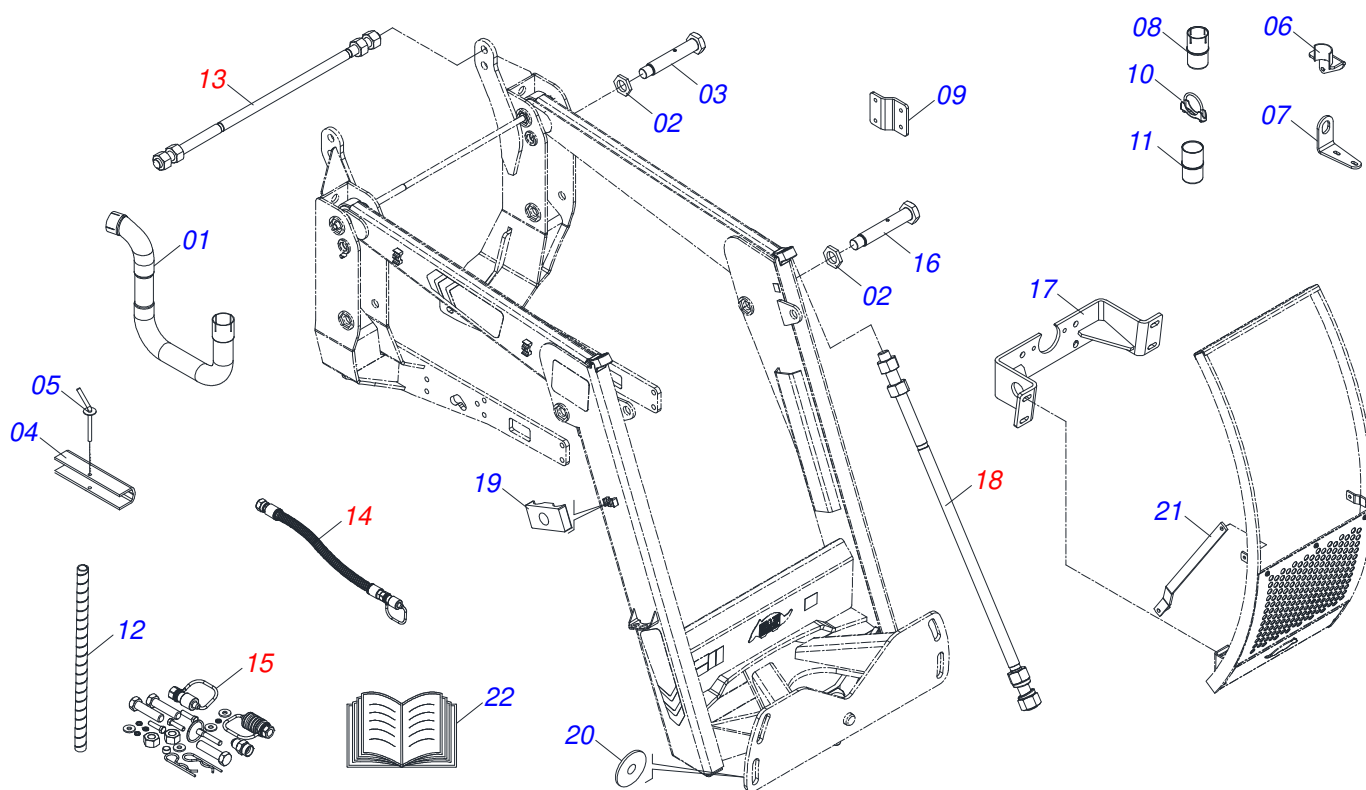




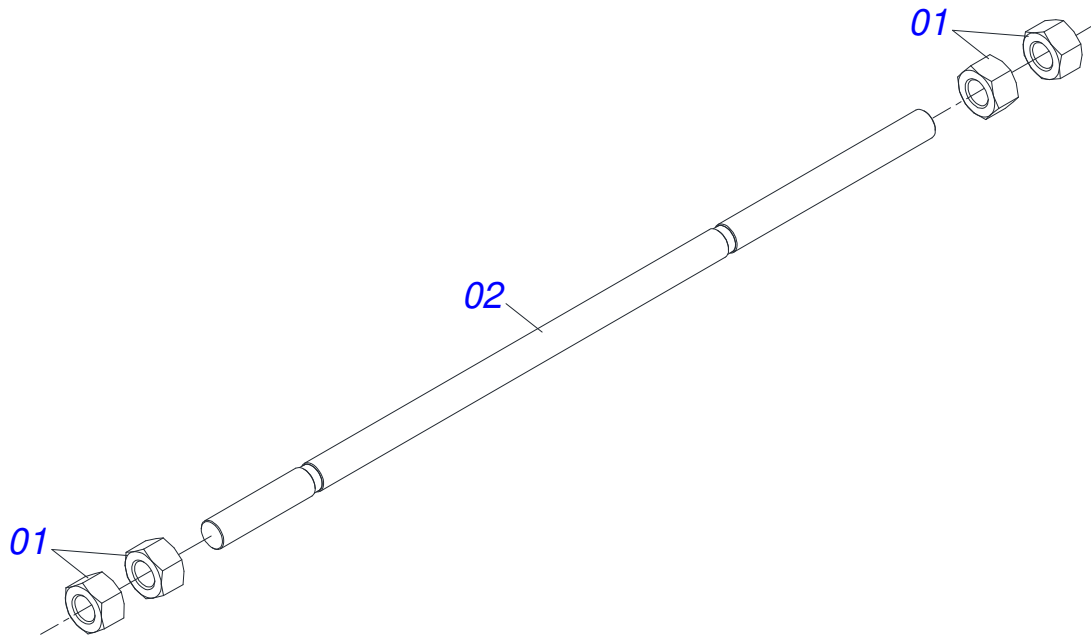
Item	Code	Description	See page	QT
01	0501067999	2390 BLADE SUPPORT		01
02	0622360016	94.5" SCRAPER REVERSIBLE		01
03	0501012240	BOLT		08
04	0501012140	FLAT WASHER		08
05	0503011445	SPRING WASHER		08
06	0503010013	5/8 NUT		08
07	0909091585	LABEL SET	7	01



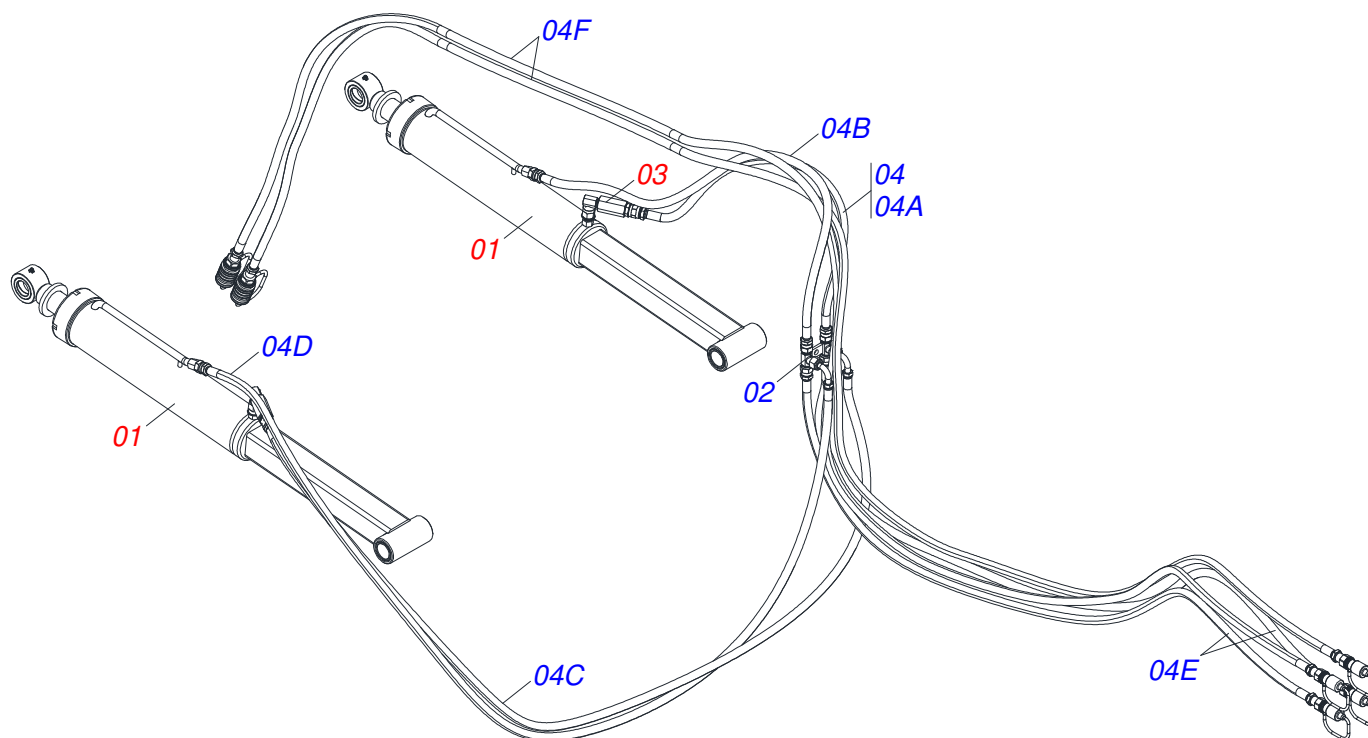
Item	Code	Description	See page	QT
01	0503033429	ADHESIVE LABEL		01
02	0503031087	ADHESIVE LABEL		01
03	0503034078	LIFTING POINTS DECAL		02
04	0503036241	ADHESIVE LABEL SAFETY CAUTION SHOCK HAZARD		01



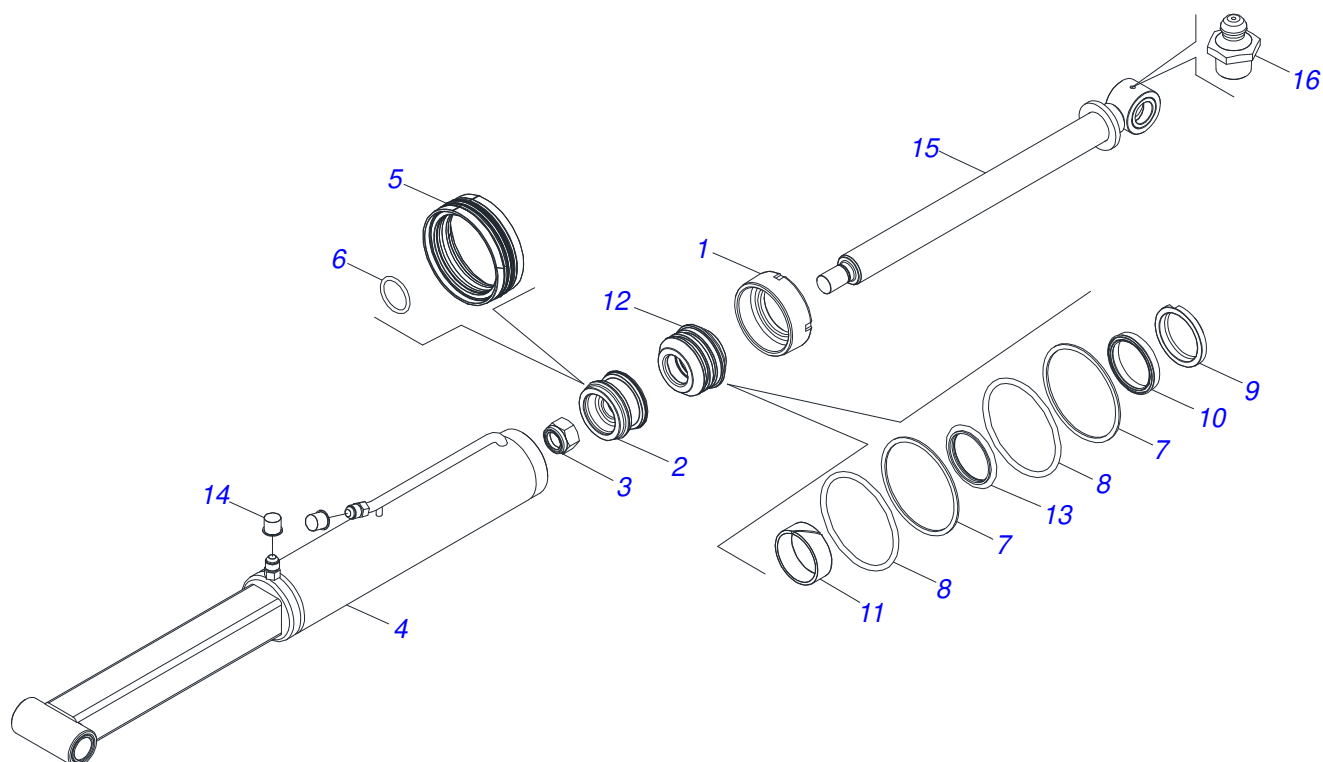
Item	Code	Description	See page	QT
01	0503032722	EXHAUST		01
02	0501216423	WASHER HEX 37,8 X 58 X 9,50		06
03	0501218155	1.1/4 UNF X 216 SCREW		04
04	0501217728	LOCK FOR TRANSPORTATION		02
05	0501068994	8,30 X 78 LOCK PIN		02
06	0521062065	FIXER SUPPLEMENT		01
07	0561011047	FIXER SUPPORT		01
08	0571014730	SLEEVE		01
09	0561017912	FIXER SUPPLEMENT		01
10	0503015959	EXHAUST CLAMP		03
11	0581011746	SLEEVE		01
12	0581011170	HOSE PLASTIC PROTECTION SPRING		05
13	0511043351	1.1/4" X 40" ROD	9	01
14	0909096837	HYDRAULIC CIRCUIT	10	01
15	0511034658	PACKAGED PARTS	13	01
16	0501219692	1.1/4 UNF X 98 BOLT		02
17	0511067204	SUPPORT FRONT FIXER PUMP		01
18	0521047923	ROD	16	02
19	0502010477	HOSE CLAMP		03
20	0501010574	FLAT WASHER		04
21	0521013209	FRENCH HAND		02
22	0511033668	BAG WITH INSTRUCTION MANUAL		01



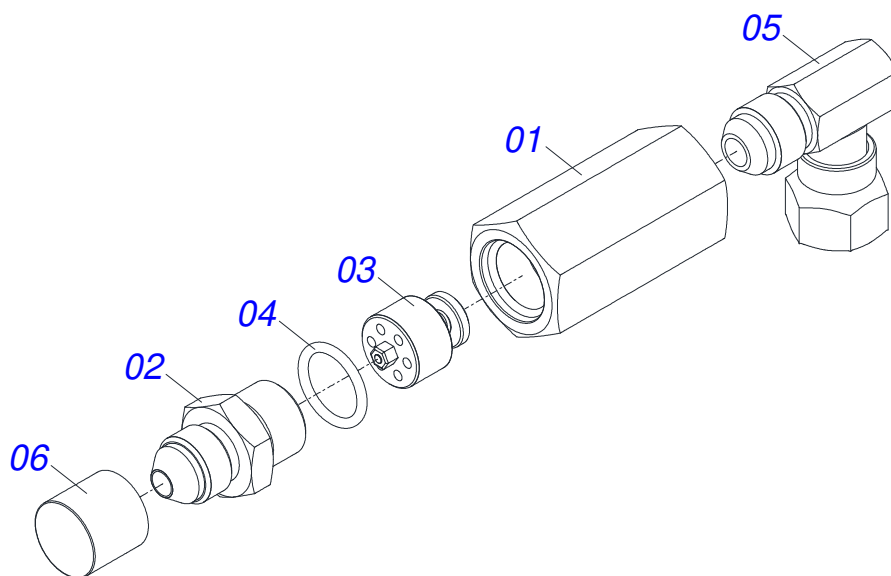
Item	Code	Description	See page	QT
01	0501010087	1.1/4" NUT		04
02	0541015018	1.1/4" NC X 40" ROD		01



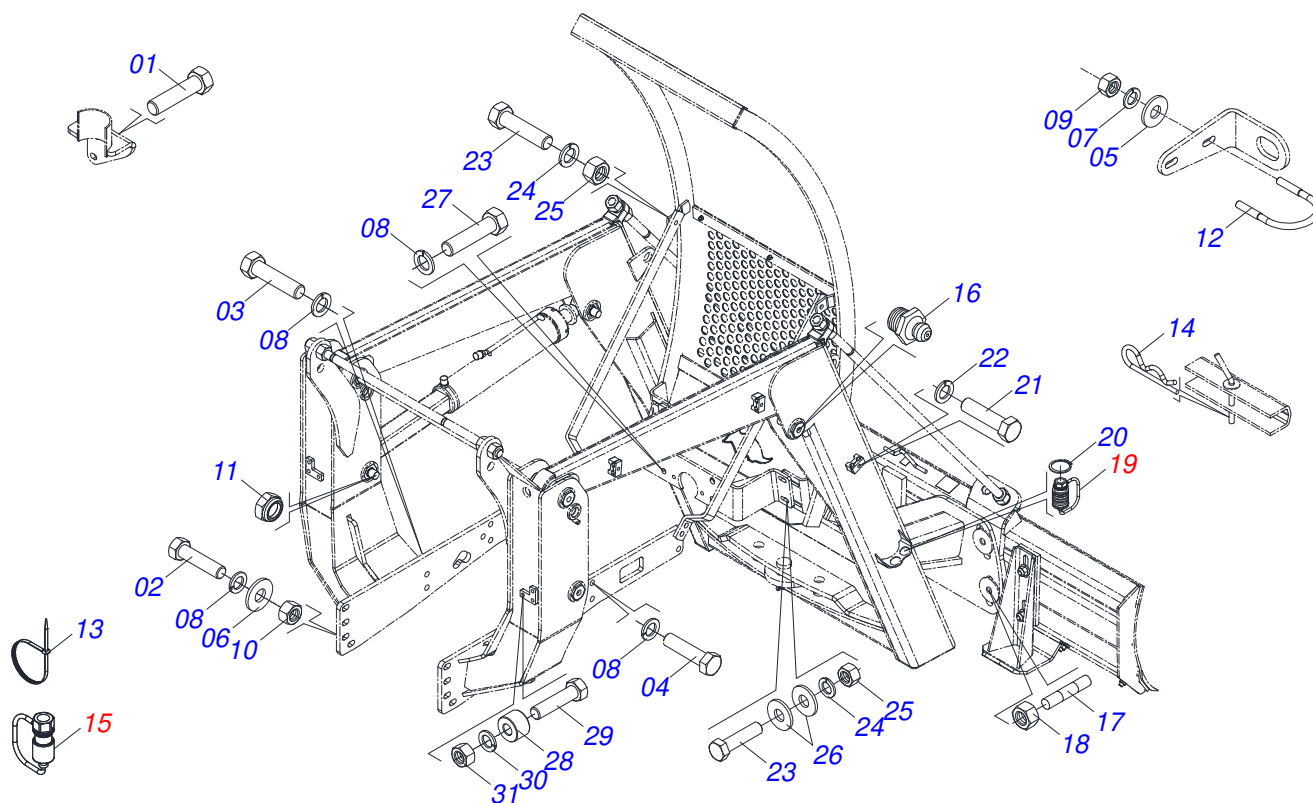
Item	Code	Description	See page	QT
01	0521051546	HYDRAULIC CYLINDER	11	02
02	0521064869	7/8UNF JIC OIL DISTRIBUTOR		01
03	0511057771	R.7/8UNF - SAFETY VALVE	12	02
04	0541050665	HOSE SET		01
04A	0501080022	1/2" X 43" TR-TR HOSE ASSY		01
04B	0501080033	1/2 X 1400 TR-TR HOSE		01
04C	0501080495	1/2" X 98,4" TR-TC HOSE		01
04D	0501080272	1/2" X 106" TR-TC HOSE		01
04E	0501081746	HOSE 1/2 X 3200 TR-TM		02
04F	0501082139	HOSE 1/2 X 6500 TM-TM		02



Item	Code	Description	See page	QT
01	0502012822	101.60 END CAP		01
02	0502012842	50,80 X 101,60 PISTON		01
03	0503010817	1.1/4" SELF LOCKING NUT		01
04	0511071242	CYLINDER CASE		01
05	0503015633	SELEMASTER SEALING		01
06	0503018029	2-217 O-RING		01
07	0503011061	8-342 BACK-UP RING		02
08	0503010338	2-342 N 3006-9B O-RING		02
09	0503010039	D-2000 SCRAPER RING		01
10	0503018026	1870-2000-375 B GASKET		01
11	0503018025	RING GUIDE		01
12	0502012821	50.80 X 101.60 RING SUPPORT		01
13	0503018024	RING BS		01
14	0503030387	PLUG		02
15	0521068050	TURNBUCKLE		01
16	0503010002	1800 GREASE FITTING		01
17	0511032211	CYLINDER REPAIR KIT 50.80 X 101.60		

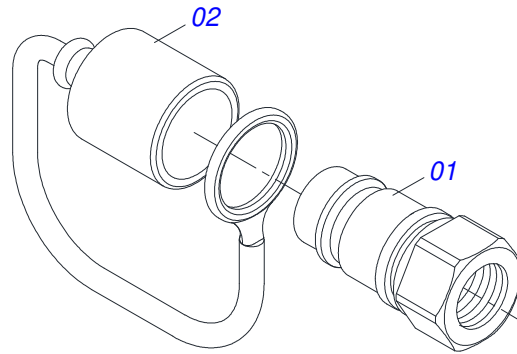


Item	Code	Description	See page	QT
01	0503018033	37 X R.7/8 UNF 90° JIC MALE CONNECTOR WITH ROTATING NUT		01
02	0581014053	1/2 BSP X 7/8 UNF JIC X 64 ADAPTER		01
03	0503016854	SAFETY VALVE		01
04	0503010045	O'RING		01
05	0581014052	1/2 BSP X 7/8 UNF JIC X 43 NIPLE		01
06	0503030387	PLUG		01

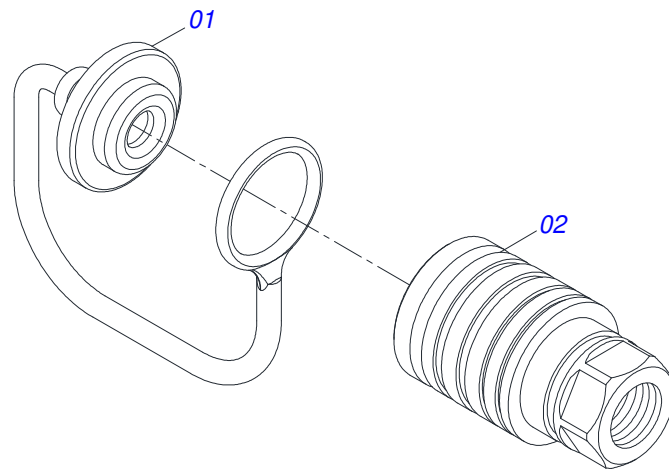


Item	Code	Description	See page	QT
01	0503015107	M12 X 1,75 X 40 BOLT		02
02	0501010125	3/4" X 2-1/2" BOLT		08
03	0503013110	M20 X 2,5 X 50 BOLT		04
04	0503013103	M20 X 2,5 X 90 BOLT		10
05	0501010984	10,50 X 27 X 3,00 FLAT WASHER		02
06	0501010322	FLAT WASHER		08
07	0503010025	3/8 SPRING WASHER		02
08	0503010023	3/4" SPRING WASHER		26
09	0503010026	3/8" NUT		02
10	0503010014	3/4" HEX NUT		08
11	0503010044	1-1/4" SELF LOCKING NUT		06
12	0561011121	CLAMP		01
13	0503013527	CLAMP ZIPER		10
14	0503030168	HITCH PIN CLIP		02
15	0501053834	MALE QUICK COUPLER	14	04
16	0503010002	1800 GREASE FITTING		06
17	0561016755	PRISONER 1 UNC X 1 UNC X 76 ZN		04
18	0501010059	1.5/8 NUT		04
19	0501053835	FEMALE QUICK COUPLER	15	02
20	0503010217	501040 CLAMPING RING (FOR AXLE)		04
21	0503011135	BOLT		03
22	0503010180	7/16" SPRING WASHER		03
23	0501010100	SCREW 5/8 UNC X 2 CS G.5 ZN		06
24	0503010027	5/8 SPRING WASHER		06
25	0503010013	5/8 NUT		06
26	0501012140	FLAT WASHER		08
27	0503013111	M20 X 2,5 X 65 BOLT		04
28	0521013963			01
29	0501011536	1/2" X 2-3/4" BOLT		01
30	0503010019	1/2" SPRING WASHER		01
31	0503010060	1/2 UNC G.5 ZN HEX NUT		01

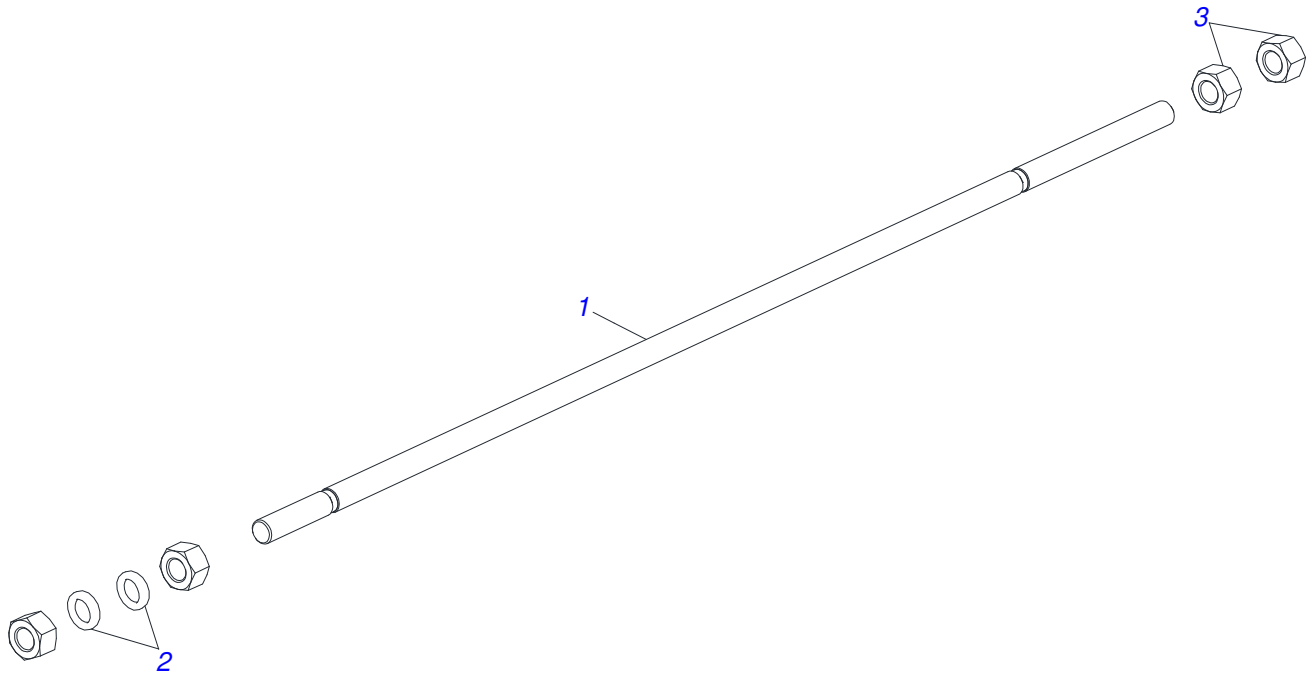




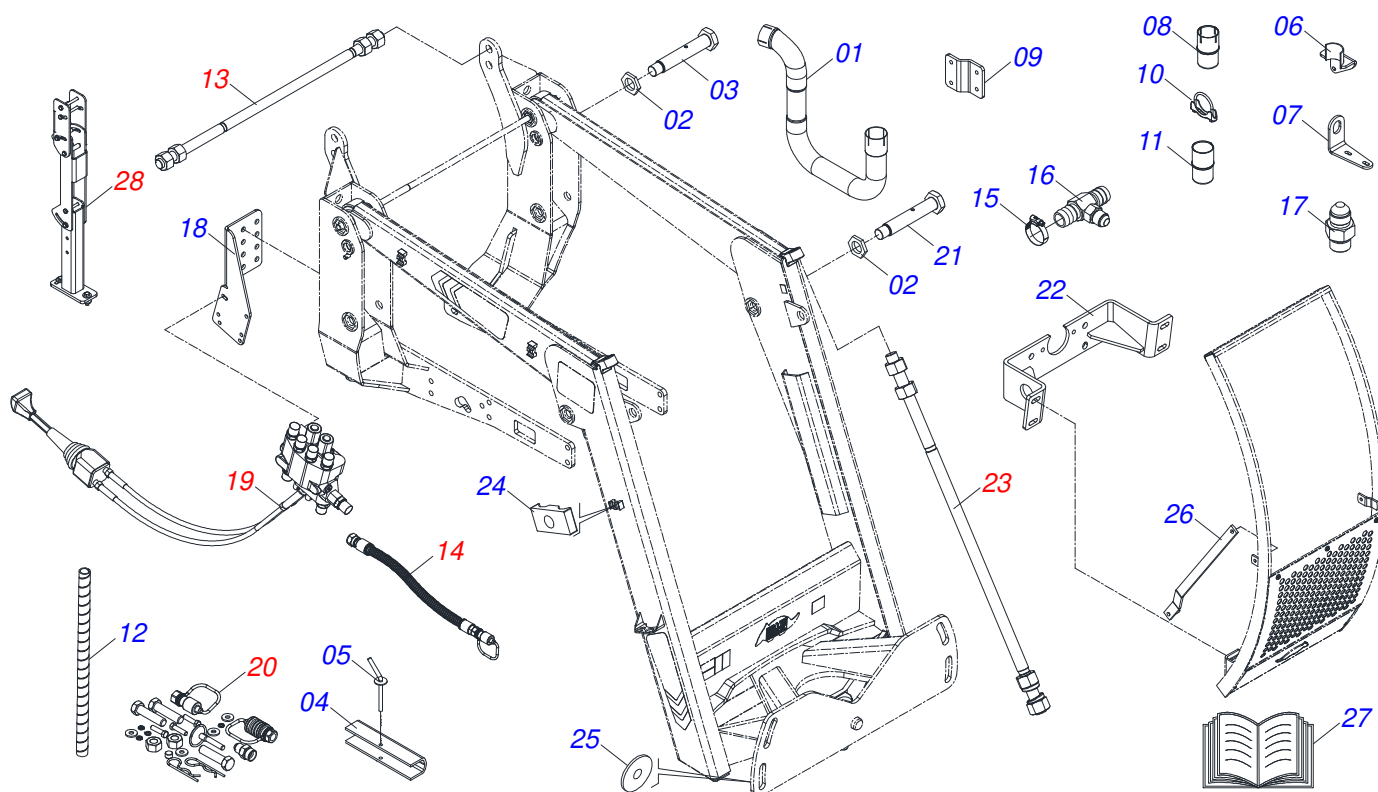
Item	Code	Description	See page	QT
01	0503011627	MALE QUICK COUPLER AGR 1/2 NPT		01
02	0503011882	MALE QUICK COUPLER CAP		01



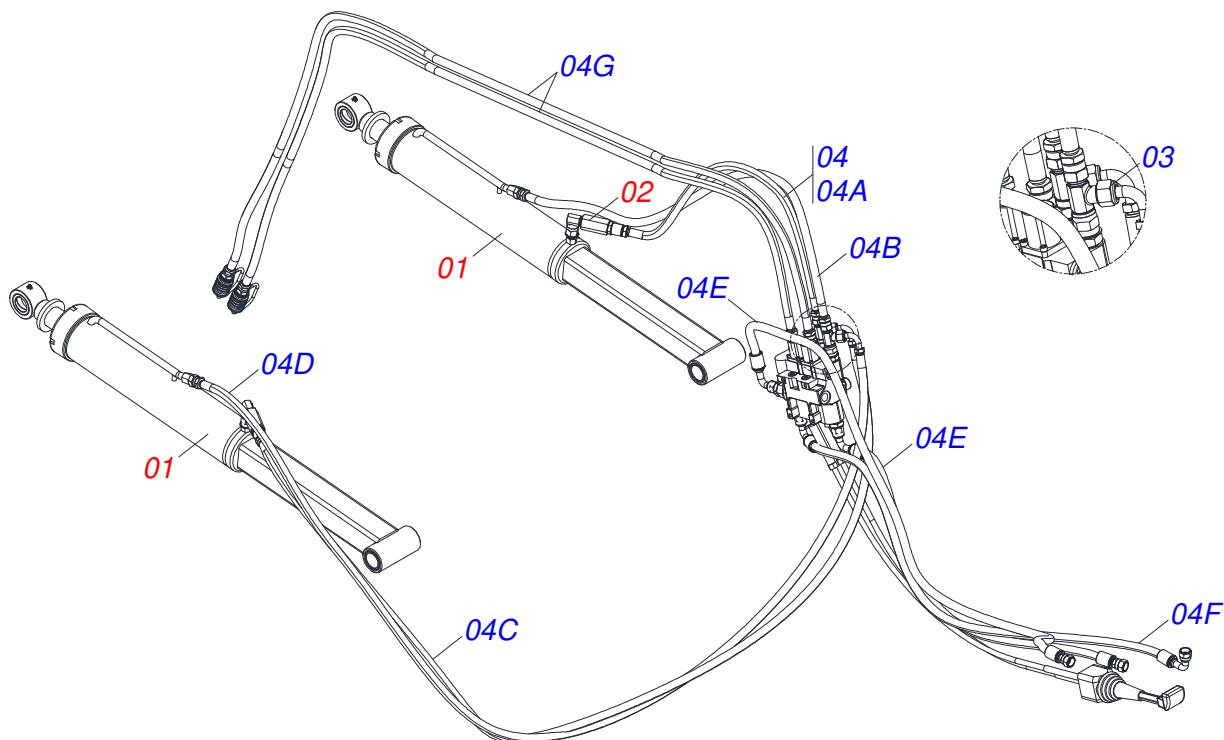
Item	Code	Description	See page	QT
01	0503011883	QUICK CONNECTION COVER		01
02	0503011628	FEMALE QUICK COUPLER		01



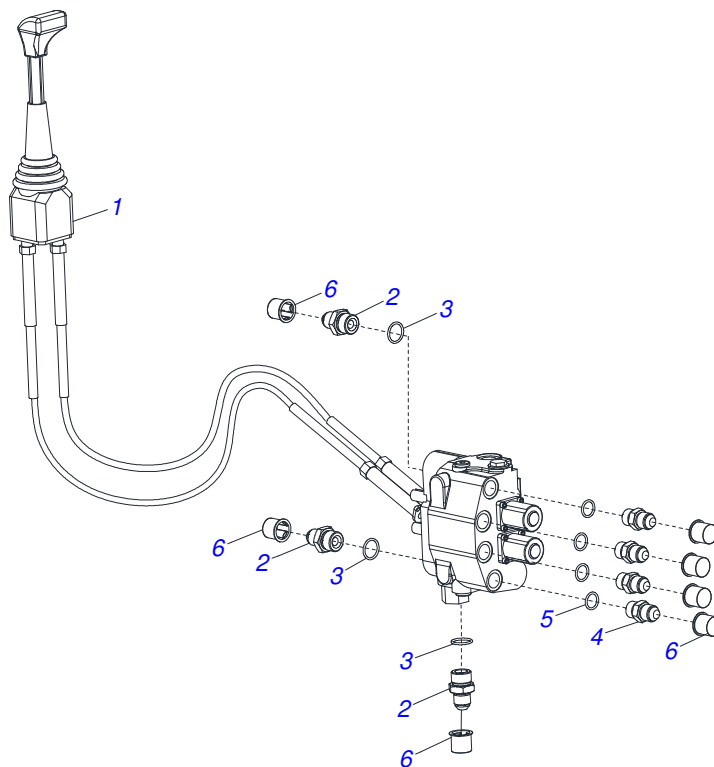
Item	Code	Description	See page	QT
01	0581016637	ROD		01
02	0502012180	CONICAL SPRING WASHER		02
03	0501010087	1.1/4" NUT		04



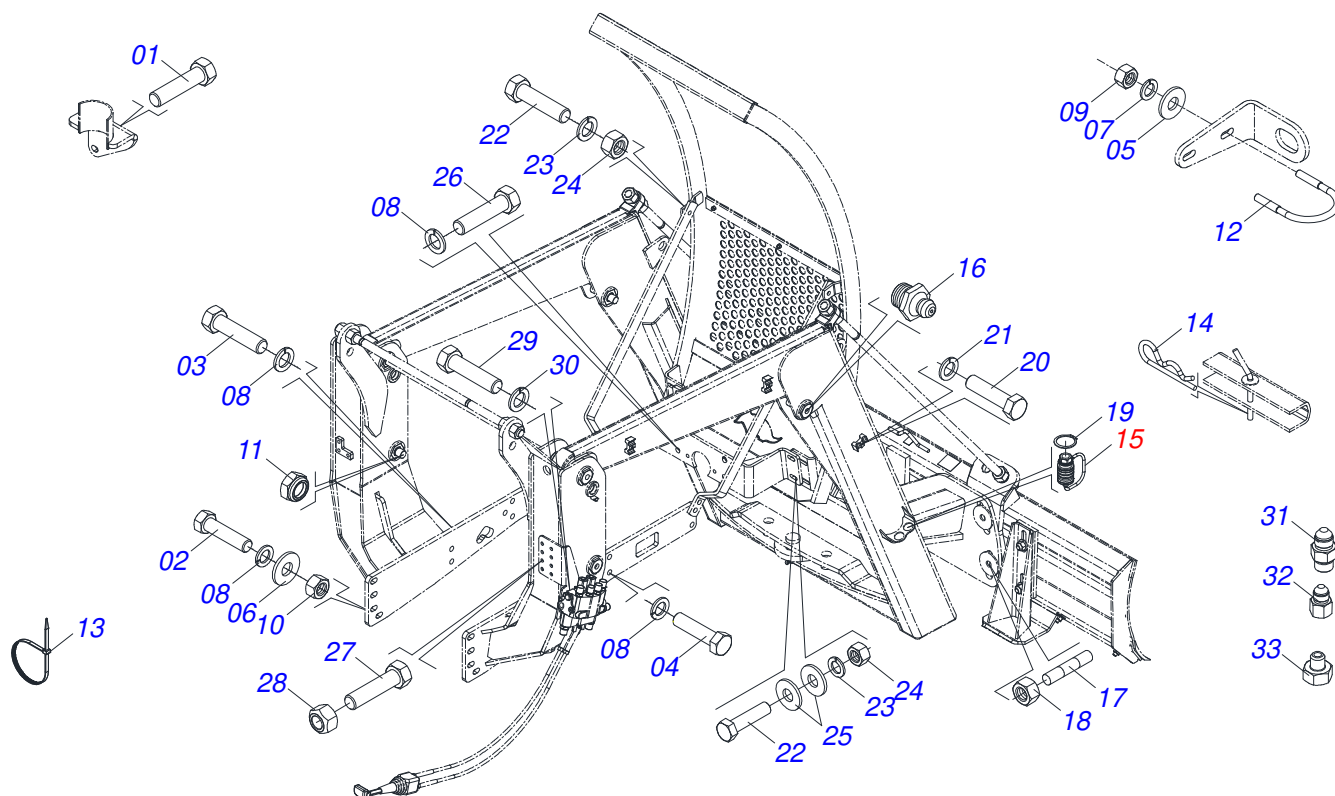
Item	Code	Description	See page	QT
01	0503032722	EXHAUST		01
02	0501216423	WASHER HEX 37,8 X 58 X 9,50		06
03	0501218155	1.1/4 UNF X 216 SCREW		04
04	0501217728	LOCK FOR TRANSPORTATION		02
05	0501068994	8,30 X 78 LOCK PIN		02
06	0521062065	FIXER SUPPLEMENT		01
07	0561011047	FIXER SUPPORT		01
08	0571014730	SLEEVE		01
09	0561017912	FIXER SUPPLEMENT		01
10	0503015959	EXHAUST CLAMP		03
11	0581011746	SLEEVE		01
12	0581011170	HOSE PLASTIC PROTECTION SPRING		05
13	0511043351	1.1/4" X 40" ROD	9	01
14	0909096838	HYDRAULIC CIRCUIT	18	01
15	0503010184	CLAMP		02
16	0531066426	1 R7/8UNF X 96,50 HOSE T ADAPTER		01
17	0581013664	NIPPLE FITTING 7/8 UNF JICX1.3/16 UN OFSX58		01
18	0501217866	CONTROL FIXING BASE		01
19	0521047926	1/2" COMMAND	19	01
20	0511034659	PACKAGED PARTS	20	01
21	0501219692	1.1/4 UNF X 98 BOLT		02
22	0511067204	SUPPORT FRONT FIXER PUMP		01
23	0521047923	ROD	16	02
24	0502010477	HOSE CLAMP		03
25	0501010574	FLAT WASHER		04
26	0521013209	FRENCH HAND		02
27	0511033668	BAG WITH INSTRUCTION MANUAL		01
28	0531044005	SET SUPPORT JOY STICK	21	01



Item	Code	Description	See page	QT
01	0521051546	HYDRAULIC CYLINDER	11	02
02	0511057771	R.7/8UNF - SAFETY VALVE	12	02
03	0503062177	7/8 (V.C) T-ADAPTER WITH NUT		02
04	0541050661	HOSE SET		01
04A	0501080022	1/2" X 43" TR-TR HOSE ASSY		01
04B	0501080033	1/2 X 1400 TR-TR HOSE		01
04C	0501080495	1/2" X 98,4" TR-TC HOSE		01
04D	0501080272	1/2" X 106" TR-TC HOSE		01
04E	0501080269	1/2 X 3000 TR-TC HOSE ASSY		02
04F	0501080137	1/2 X 3000 TC-TC HOSE		01
04G	0501080167	1/2" X 3000 TR-TM HOSE		02



Item	Code	Description	See page	QT
01	0503062415	COMPLETE JOYSTICK CONTROL SDM122/2		01
02	0511018014	7/8"NF X 1.1/16 UN NIPPLE		03
03	0503011109	2-119 N 3006-9B O'RING		03
04	0501010590	NIPPLE		04
05	0503010045	O'RING		04
06	0503030387	PLUG		07



Item	Code	Description	See page	QT
01	0503015107	M12 X 1,75 X 40 BOLT		02
02	0501010125	3/4" X 2-1/2" BOLT		08
03	0503013110	M20 X 2,5 X 50 BOLT		04
04	0503013103	M20 X 2,5 X 90 BOLT		10
05	0501010984	10,50 X 27 X 3,00 FLAT WASHER		02
06	0501010322	FLAT WASHER		08
07	0503010025	3/8 SPRING WASHER		02
08	0503010023	3/4" SPRING WASHER		26
09	0503010026	3/8" NUT		02
10	0503010014	3/4" HEX NUT		08
11	0503010044	1-1/4" SELF LOCKING NUT		06
12	0561011121	CLAMP		01
13	0503013527	CLAMP ZIPER		10
14	0503030168	HITCH PIN CLIP		02
15	0501053835	FEMALE QUICK COUPLER	15	02
16	0503010002	1800 GREASE FITTING		06
17	0561016755	PRISONER 1 UNC X 1 UNC X 76 ZN		04
18	0501010059	1.5/8 NUT		04
19	0503010217	501040 CLAMPING RING (FOR AXLE)		04
20	0503011135	BOLT		03
21	0503010180	7/16" SPRING WASHER		03
22	0501010100	SCREW 5/8 UNC X 2 CS G.5 ZN		06
23	0503010027	5/8 SPRING WASHER		06
24	0503010013	5/8 NUT		06
25	0501012140	FLAT WASHER		08
26	0503013111	M20 X 2,5 X 65 BOLT		04
27	0503010740	BOLT 1/2 UNC X 2 CS G.5 ZN		02
28	0503011336	1/2" HEX SELF ADJUSTING NUT		02
29	0503016506	5/16 UNC X 3/4 C S G.5 ZN BOLT		04
30	0503010179	LOCK WASHER 5/16 ZN 1K01528		04
31	0521010935	7/8 UNF NIPLE X M22 X 1,5 X 52		01

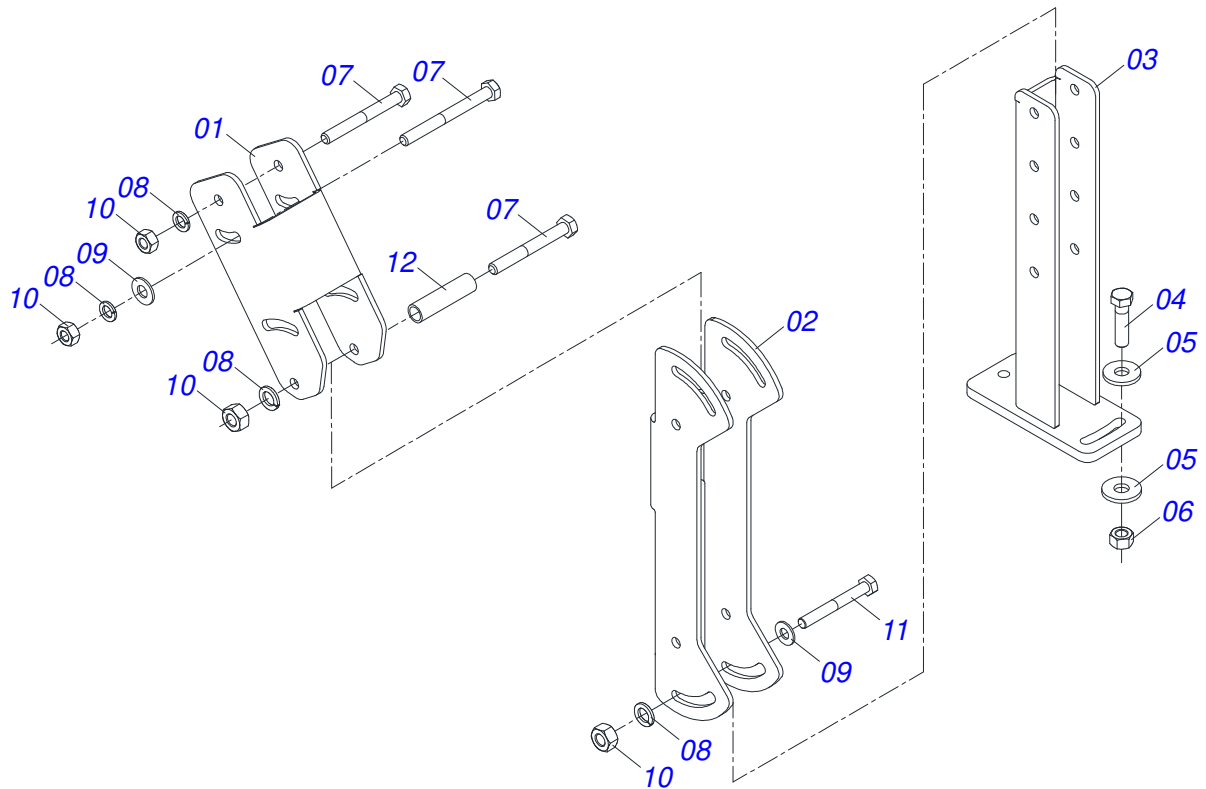


**PD 800**  
**PACKAGED PARTS**

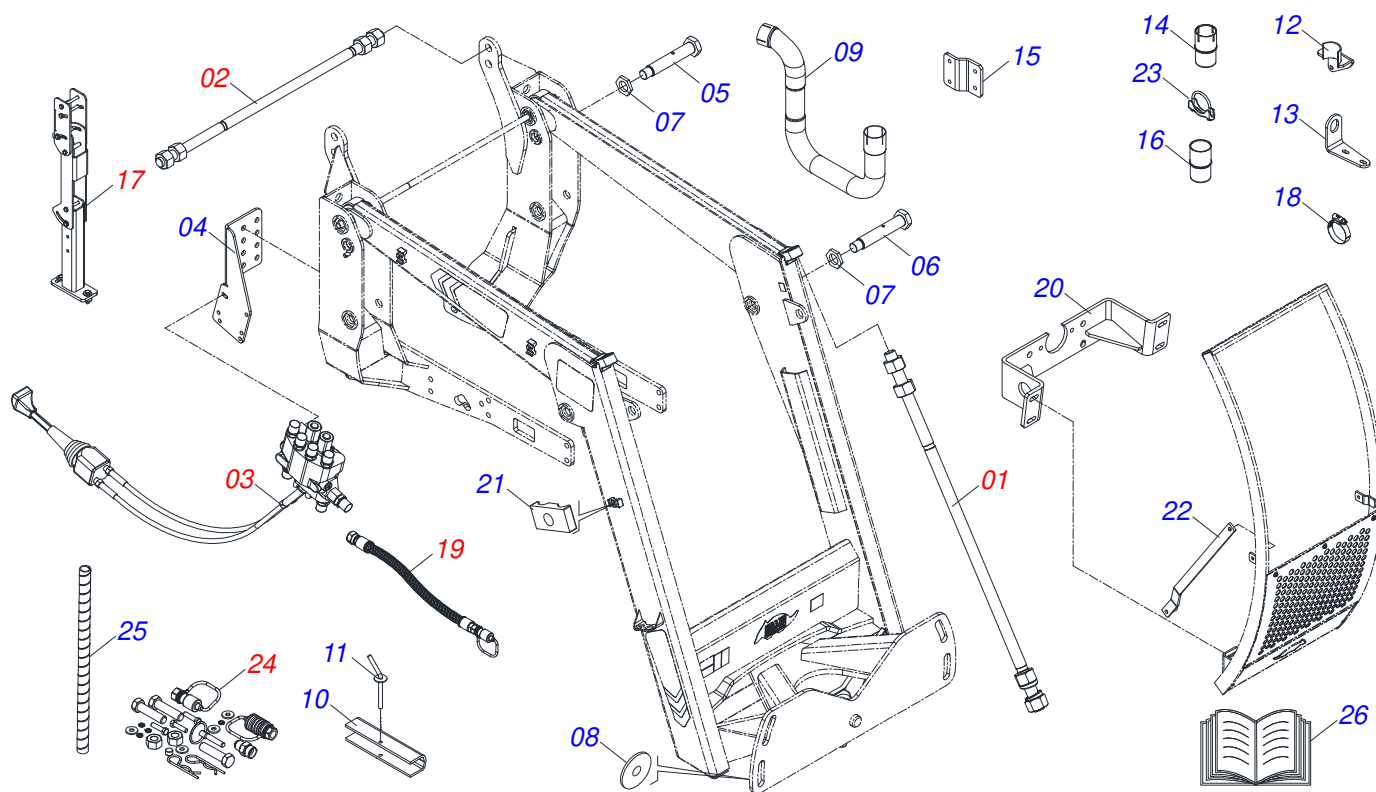
Page 20  
0511034659

<b>Item</b>	<b>Code</b>	<b>Description</b>	<b>See page</b>	<b>QT</b>
32	0561017346	NIPPLE R7/8 UNF X M22		01
33	0561018239	1.3/16 UN X 7/8 UNF JIC NIPLE		01

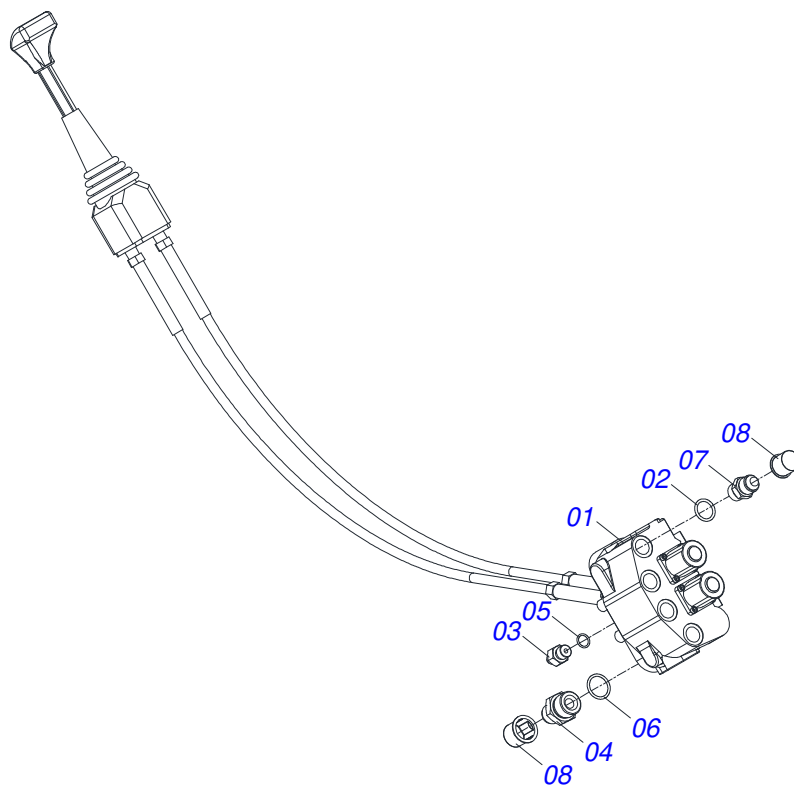




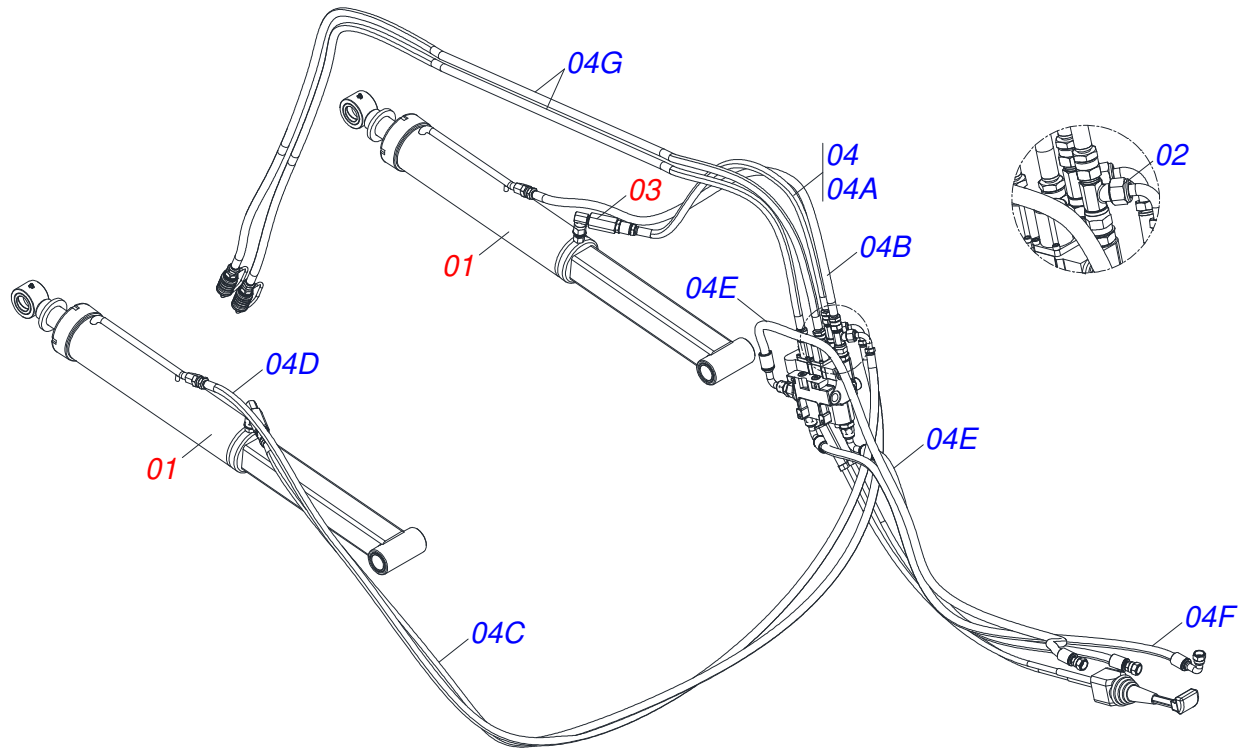
Item	Code	Description	See page	QT
01	0501217764	UPPER BODY JOYSTICK SUPPORT		01
02	0501217765	CENTRAL BODY JOYSTICK SUPPORT		01
03	0531065170	JOYSTICK BOTTOM SUPPORT		01
04	0503010849	3/8" X 1-1/2" BOLT		02
05	0501010984	10,50 X 27 X 3,00 FLAT WASHER		04
06	0503010026	3/8" NUT		02
07	0503010848	5/16" X 3.1/2" BOLT		04
08	0503010179	LOCK WASHER 5/16 ZN 1K01528		06
09	0501010694	FLAT WASHER		06
10	0503010337	5/16" NUT		06
11	0503011053	5/16" X 3" C S 6.5 ZN BOLT		02
12	0541015551	0.39" X 0.512" X 1.9" SLEEVE		02



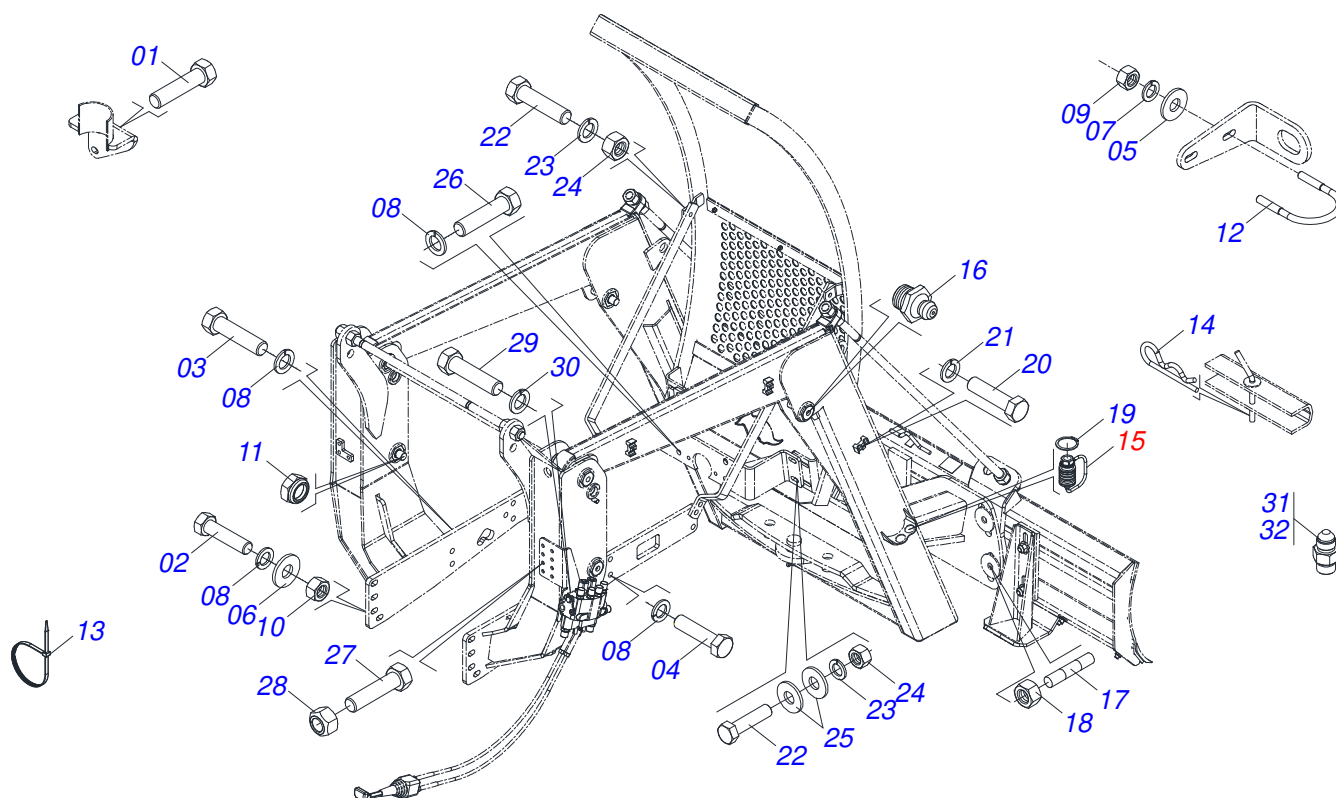
Item	Code	Description	See page	QT
01	0521047923	ROD	16	02
02	0511043351	1.1/4" X 40" ROD	9	01
03	0521047929	HYDRAULIC COMMAND 1/2 1,5 M	23	01
04	0501217866	CONTROL FIXING BASE		01
05	0501218155	1.1/4 UNF X 216 SCREW		04
06	0501219692	1.1/4 UNF X 98 BOLT		02
07	0501216423	WASHER HEX 37,8 X 58 X 9,50		06
08	0501010574	FLAT WASHER		04
09	0503032722	EXHAUST		01
10	0501217728	LOCK FOR TRANSPORTATION		02
11	0501068994	8,30 X 78 LOCK PIN		02
12	0521062065	FIXER SUPPLEMENT		01
13	0561011047	FIXER SUPPORT		01
14	0571014730	SLEEVE		01
15	0561017912	FIXER SUPPLEMENT		01
16	0581011746	SLEEVE		01
17	0531044005	SET SUPPORT JOY STICK	21	01
18	0503010184	CLAMP		02
19	0909096839	HYDRAULIC CIRCUIT	24	02
20	0511067204	SUPPORT FRONT FIXER PUMP		01
21	0502010477	HOSE CLAMP		03
22	0521013209	FRENCH HAND		02
23	0503015959	EXHAUST CLAMP		03
24	0511034665	PACKAGED PARTS	25	01
25	0581011170	HOSE PLASTIC PROTECTION SPRING		05
26	0511033668	BAG WITH INSTRUCTION MANUAL		01



Item	Code	Description	See page	QT
01	0503062661	COMPLETE COMMAND - DLM142		01
02	0503010045	O'RING		04
03	0571012091	9/16 UNF X 7/16 UNF NIPLLE		01
04	0511018014	7/8"NF X 1.1/16 UN NIPLLE		02
05	0503011030	2-014 N 3006-9B O'RING		01
06	0503011109	2-119 N 3006-9B O'RING		02
07	0501010590	NIPLLE		04
08	0503030387	PLUG		06



Item	Code	Description	See page	QT
01	0521051546	HYDRAULIC CYLINDER	11	02
02	0503062177	7/8 (V.C) T-ADAPTER WITH NUT		02
03	0511057771	R.7/8UNF - SAFETY VALVE	12	02
04	0541050661	HOSE SET		01
04A	0501080022	1/2" X 43" TR-TR HOSE ASSY		01
04B	0501080033	1/2 X 1400 TR-TR HOSE		01
04C	0501080495	1/2" X 98,4" TR-TC HOSE		01
04D	0501080272	1/2" X 106" TR-TC HOSE		01
04E	0501080269	1/2 X 3000 TR-TC HOSE ASSY		02
04F	0501080137	1/2 X 3000 TC-TC HOSE		01
04G	0501080167	1/2" X 3000 TR-TM HOSE		02



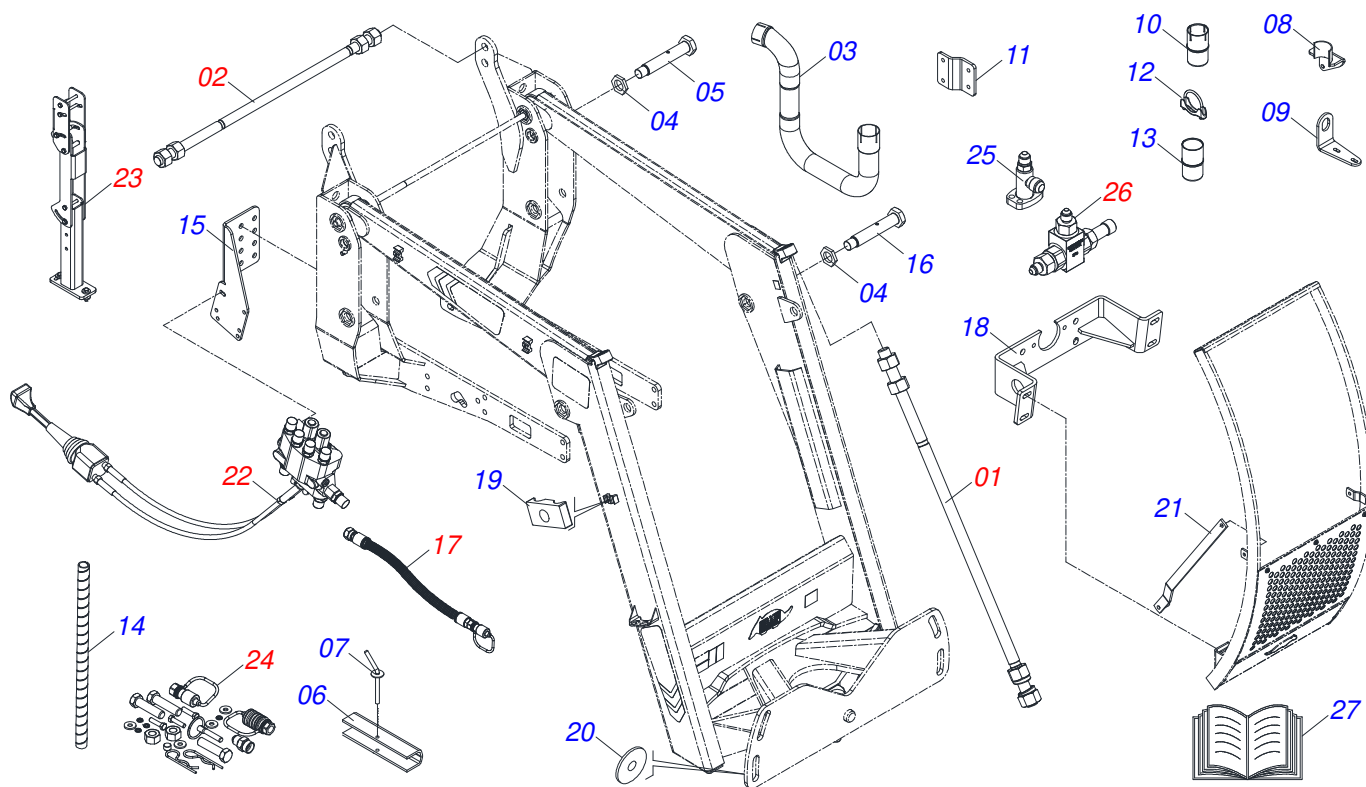
Item	Code	Description	See page	QT
01	0503015107	M12 X 1,75 X 40 BOLT		02
02	0501010125	3/4" X 2-1/2" BOLT		08
03	0503013110	M20 X 2,5 X 50 BOLT		04
04	0503013103	M20 X 2,5 X 90 BOLT		10
05	0501010984	10,50 X 27 X 3,00 FLAT WASHER		02
06	0501010322	FLAT WASHER		08
07	0503010025	3/8 SPRING WASHER		02
08	0503010023	3/4" SPRING WASHER		26
09	0503010026	3/8" NUT		02
10	0503010014	3/4" HEX NUT		08
11	0503010044	1-1/4" SELF LOCKING NUT		06
12	0561011121	CLAMP		01
13	0503013527	CLAMP ZIPER		10
14	0503030168	HITCH PIN CLIP		02
15	0501053835	FEMALE QUICK COUPLER	15	02
16	0503010002	1800 GREASE FITTING		06
17	0561016755	PRISONER 1 UNC X 1 UNC X 76 ZN		04
18	0501010059	1.5/8 NUT		04
19	0503010217	501040 CLAMPING RING (FOR AXLE)		04
20	0503011135	BOLT		03
21	0503010180	7/16" SPRING WASHER		03
22	0501010100	SCREW 5/8 UNC X 2 CS G.5 ZN		06
23	0503010027	5/8 SPRING WASHER		06
24	0503010013	5/8 NUT		06
25	0501012140	FLAT WASHER		08
26	0503013111	M20 X 2,5 X 65 BOLT		04
27	0503010740	BOLT 1/2 UNC X 2 CS G.5 ZN		02
28	0503011336	1/2" HEX SELF ADJUSTING NUT		02
29	0503016506	5/16 UNC X 3/4 C S G.5 ZN BOLT		04
30	0503010179	LOCK WASHER 5/16 ZN 1K01528		04
31	0521010935	7/8 UNF NIPLE X M22 X 1,5 X 52		02



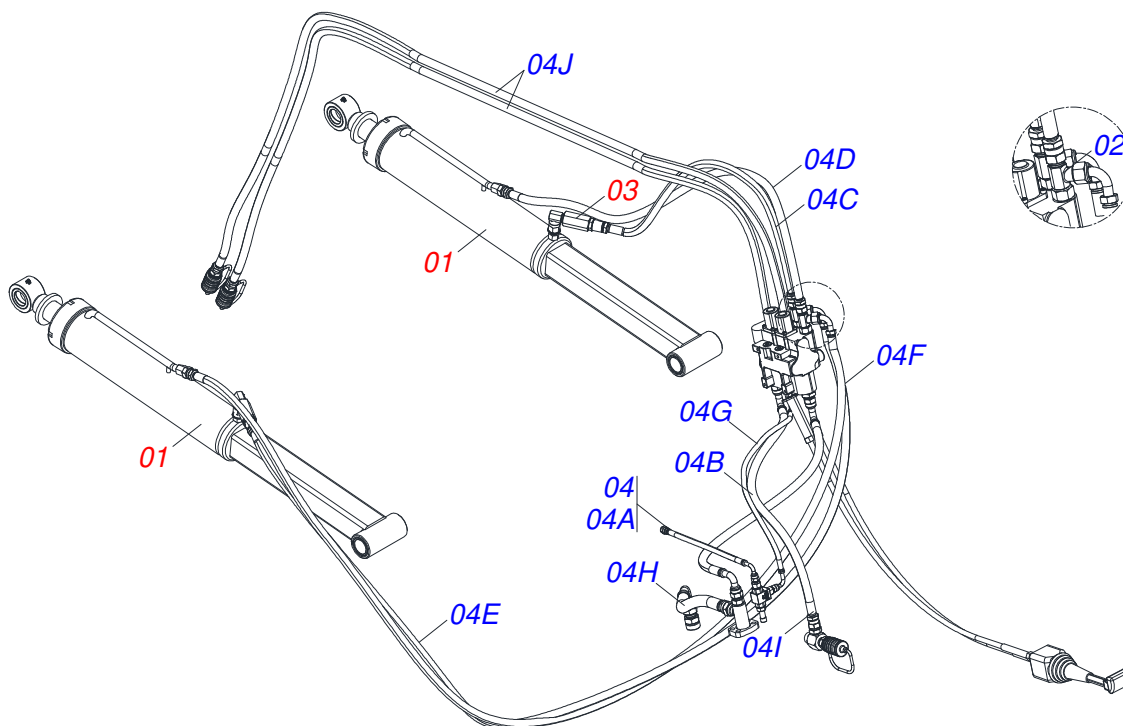
PD 800  
PACKAGED PARTS

Page 25  
0511034665

Item	Code	Description	See page	QT
32	0501312931	M14 X P1,50 X 7/16 JIC NIPLE		01

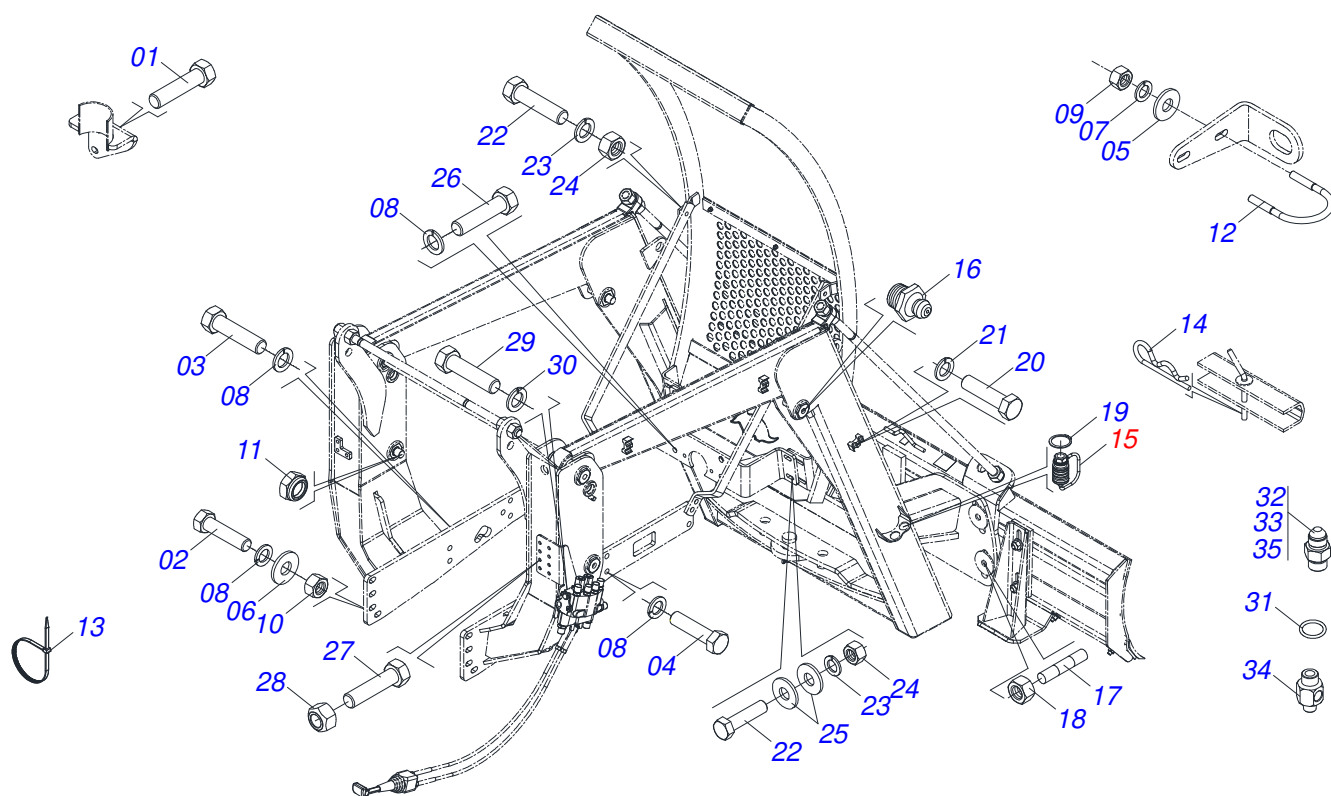


Item	Code	Description	See page	QT
01	0511043351	1.1/4" X 40" ROD	9	01
02	0521047923	ROD	16	02
03	0503032722	EXHAUST		01
04	0501216423	WASHER HEX 37,8 X 58 X 9,50		06
05	0501218155	1.1/4 UNF X 216 SCREW		04
06	0501217728	LOCK FOR TRANSPORTATION		02
07	0501068994	8,30 X 78 LOCK PIN		02
08	0521062065	FIXER SUPPLEMENT		01
09	0561011047	FIXER SUPPORT		01
10	0571014730	SLEEVE		01
11	0561017912	FIXER SUPPLEMENT		01
12	0503015959	EXHAUST CLAMP		03
13	0581011746	SLEEVE		01
14	0581011170	HOSE PLASTIC PROTECTION SPRING		05
15	0501217866	CONTROL FIXING BASE		01
16	0501219692	1.1/4 UNF X 98 BOLT		02
17	0909096840	HYDRAULIC CIRCUIT	27	02
18	0511067204	SUPPORT FRONT FIXER PUMP		01
19	0502010477	HOSE CLAMP		03
20	0501010574	FLAT WASHER		04
21	0521013209	FRENCH HAND		02
22	0521047929	HYDRAULIC COMMAND 1/2 1,5 M	23	01
23	0531044005	SET SUPPORT JOY STICK	21	01
24	0511034666	PACKAGED PARTS	28	01
25	0531066465	7/8 X 1.1/16 ADAPTER		01
26	0531045184	CONNECTION LOAD SENSING	29	01
27	0511033668	BAG WITH INSTRUCTION MANUAL		01



Item	Code	Description	See page	QT
01	0521051546	HYDRAULIC CYLINDER	11	02
02	0503062177	7/8 (V.C) T-ADAPTER WITH NUT		02
03	0511057771	R.7/8UNF - SAFETY VALVE	12	02
04	0541050713	HOSE SET		01
04A	0501081289	1/4 X 400 TR-TC HOSE		01
04B	0501081200	3/4 X 700 TR-TC HOSE		01
04C	0501080022	1/2" X 43" TR-TR HOSE ASSY		01
04D	0501080033	1/2 X 1400 TR-TR HOSE		01
04E	0501080495	1/2" X 98,4" TR-TC HOSE		01
04F	0501080272	1/2" X 106" TR-TC HOSE		01
04G	0501082342	1/4 X 3000 TC-TC HOSE		01
04H	0501080137	1/2 X 3000 TC-TC HOSE		01
04I	0501080269	1/2 X 3000 TR-TC HOSE ASSY		01
04J	0501080167	1/2" X 3000 TR-TM HOSE		02





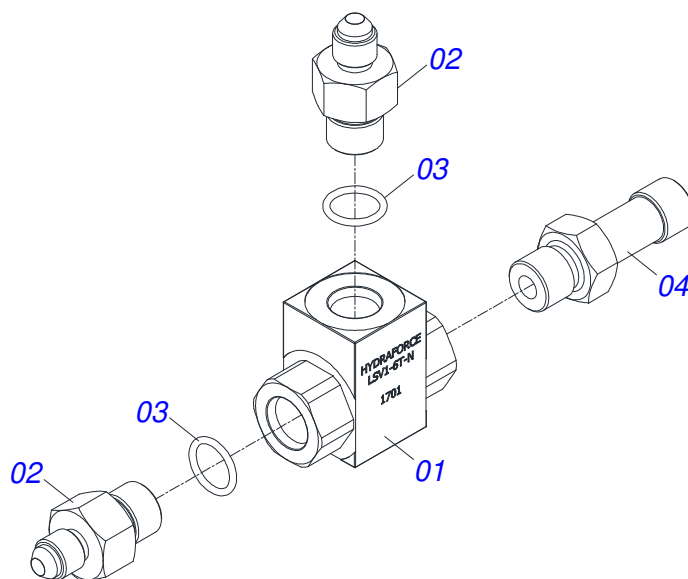
Item	Code	Description	See page	QT
01	0503015107	M12 X 1,75 X 40 BOLT		02
02	0501010125	3/4" X 2-1/2" BOLT		08
03	0503013110	M20 X 2,5 X 50 BOLT		04
04	0503013103	M20 X 2,5 X 90 BOLT		10
05	0501010984	10,50 X 27 X 3,00 FLAT WASHER		02
06	0501010322	FLAT WASHER		08
07	0503010025	3/8 SPRING WASHER		02
08	0503010023	3/4" SPRING WASHER		26
09	0503010026	3/8" NUT		02
10	0503010014	3/4" HEX NUT		08
11	0503010044	1-1/4" SELF LOCKING NUT		06
12	0561011121	CLAMP		01
13	0503013527	CLAMP ZIPER		10
14	0503030168	HITCH PIN CLIP		02
15	0501053835	FEMALE QUICK COUPLER	15	03
16	0503010002	1800 GREASE FITTING		06
17	0561016755	PRISONER 1 UNC X 1 UNC X 76 ZN		04
18	0501010059	1.5/8 NUT		04
19	0503010217	501040 CLAMPING RING (FOR AXLE)		04
20	0503011135	BOLT		03
21	0503010180	7/16" SPRING WASHER		03
22	0501010100	SCREW 5/8 UNC X 2 CS G.5 ZN		06
23	0503010027	5/8 SPRING WASHER		06
24	0503010013	5/8 NUT		06
25	0501012140	FLAT WASHER		08
26	0503013111	M20 X 2,5 X 65 BOLT		04
27	0503010740	BOLT 1/2 UNC X 2 CS G.5 ZN		02
28	0503011336	1/2" HEX SELF ADJUSTING NUT		02
29	0503016506	5/16 UNC X 3/4 C S G.5 ZN BOLT		04
30	0503010179	LOCK WASHER 5/16 ZN 1K01528		04
31	0503011030	2-014 N 3006-9B O'RING		02



**PD 800**  
**PACKAGED PARTS**

Page 28  
0511034666

Item	Code	Description	See page	QT
32	0501312978	11/16 X 7/16 UNF JIC NIPLE		01
33	0501312972	M33 X 2 X 1.1/16 UNF X 54 NIPLE		01
34	0501312980	1/2 NPT X M27 X 2 ADAPTER		01
35	0501011460	7/8 NF REDUCTION NIPPLE		01



Item	Code	Description	See page	QT
01	0503018955	LSV1 LOAD SHUTTLE VALVE		01
02	0571012091	9/16 UNF X 7/16 UNF NIPL		02
03	0503011030	2-014 N 3006-9B O'RING		03
04	0501312981	M14 X 1,5 X 52 ADAPTER		01





**MARCHESAN**

**Technical Publications | Elaboration and Revision**

LORENA ROCHA ALVES

[www.marchesan.com.br](http://www.marchesan.com.br)

