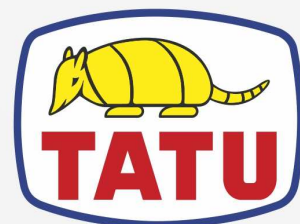


**DISK PLOW/MOLDBOARD PLOW/TERRACING PLOW**

**AARP - CONCAVE**  
**AARP - CONCAVO**

**Code:** 0501093604  
**Series:** S-0523  
**Revision:** 00  
**Revision Date:** DECEMBER/2023

# **PARTS CATALOGUE**



**MARCHESAN**



# PRODUCTS

Code	Working Width	Description
0101100149		AARP 5 CONCAVO S-0523
0101100148		AARP 6 CONCAVO S-0523
0101100147		AARP 6/5 CONCAVO S-0523
0101100151		AARP 6/6 CONCAVO S-0523
0101100150		AARP 7 CONCAVO S-0523
0101100146		AARP 7/6 CONCAVO S-0523
0101100145		AARP 7/7 CONCAVO S-0523
0101100152		AARP 8/7 CONCAVO S-0523
0101100154		AARP 8/8 CONCAVO ESPECIAL S-0523
0101100153		AARP 8/8 CONCAVO S-0523

## ATTENTION: IMPORTANT

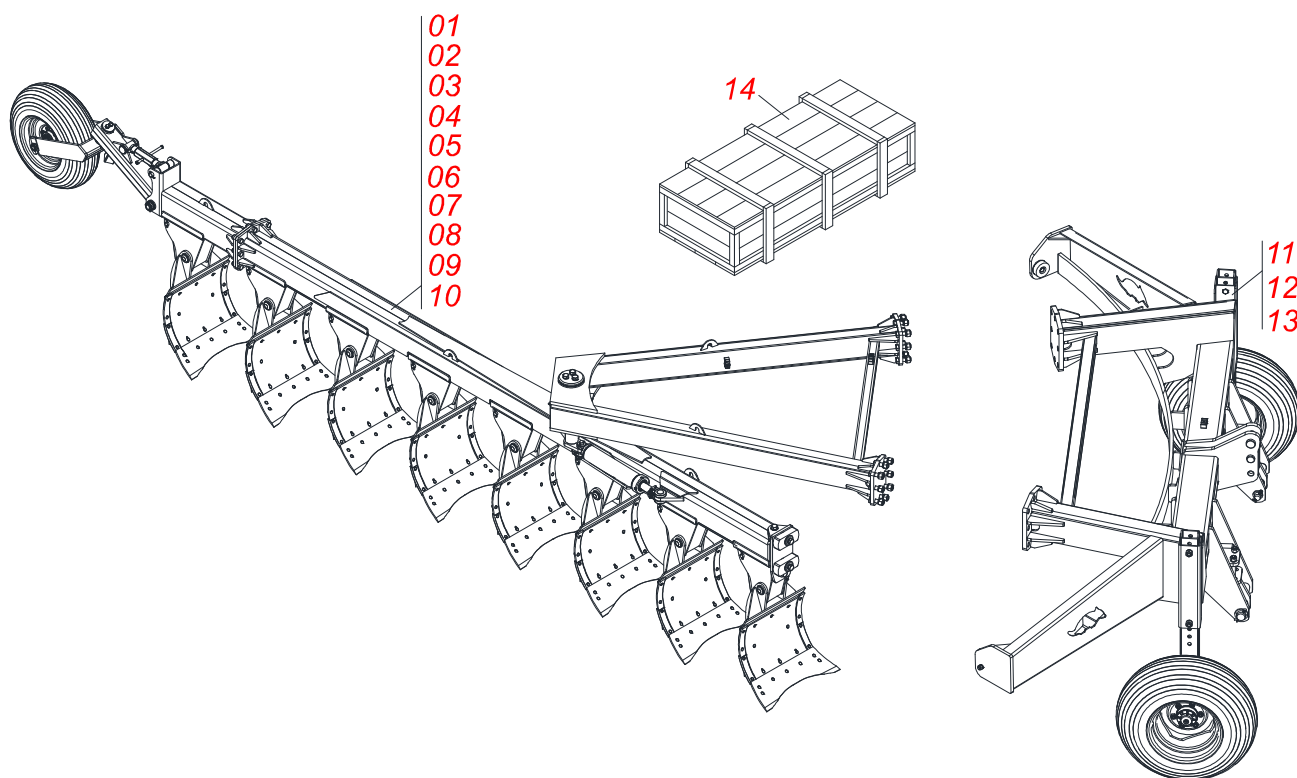
Marchesan S.A. reserves the right to improve and/or modify the technical features of its products, without obligation to do the same with those products already sold and without prior knowledge of the dealer or the customer. The photos are only illustrative.



**MARCHESAN**

# INDEX

0909096982	ASSY FRAME	.....	1
0531044123	BODY FRAME ASSY - 5	.....	2
0531044087	BODY FRAME ASSY - 6	.....	3
0531043473	BODY FRAME ASSY - 6/5	.....	4
0531044236	BODY FRAME ASSY - 6/6	.....	5
0531044175	BODY FRAME ASSY - 7	.....	6
0531042927	BODY FRAME ASSY - 7/6	.....	7
0531042636	BODY FRAME ASSY - 7/7	.....	8
0531044444	BODY FRAME ASSY - 8/7	.....	9
0531044983	BODY FRAME ASSY - 8/8	.....	10
0531044733	BODY FRAME ASSY - 8/8	.....	11
0511053035	BODY REAR FRAME ASSY	.....	12
0511053037	BODY FRAME ASSY - 5	.....	13
0501047699	ESTABILIZER ASSY	.....	14
0501052245	WHEEL WITHOUT TIRE	.....	15
0503060094	WHEEL AND TIRE ASSY	.....	16
0531059854	MOLDBOARD FRONT ASSY	.....	17
0531059853	REAR MOLDBOARD ASSY	.....	18
0511058402	HYDRAULIC CYLINDER 50,80 X 101,60 X 800 X 1202	.....	19
0511052996	HOSE KIT	.....	20
0501053834	MALE QUICK COUPLER	.....	21
0511053038	BODY FRAME ASSY - 6	.....	22
0511053036	SET BODY FRAME MOLDBOARDS	.....	23
0511053039	BODY FRAME ASSY - 7	.....	24
0521041929	BODY REAR FRAME ASSY	.....	25
0521041928	SET BODY FRAME MOLDBOARDS	.....	26
0511058737	ASSY BODY FRAME MOLDBOARDS	.....	27
0511058738	BODY FRAME ASSY - 8	.....	28
0501052242	FRONT FRAME SET ASSY	.....	29
0521046185	FRONT FRAME ASSEMBLY	.....	30
0531040030	FRONT SET FRAME ASSY	.....	31
0511052995	ASSY FRONT BODY CHASSIS WITH BEATER	.....	32
0501052240	DEPTH CONTROL ARM ASSY	.....	33
0501051142	CARRYING WHEEL HUB	.....	34
0503060181	WHEEL AND TIRE	.....	35
0511028289	BOX COMPONENTS WITH SUPPORT FIXING	.....	36



Item	Code	Description	See page	05	06	6/5	6/6	07	7/6	7/7	8/7
01	0531044123	BODY FRAME ASSY - 5	2	01	00	00	00	00	00	00	00
02	0531044087	BODY FRAME ASSY - 6	3	00	01	00	00	00	00	00	00
03	0531043473	BODY FRAME ASSY - 6/5	4	00	00	01	00	00	00	00	00
04	0531044236	BODY FRAME ASSY - 6/6	5	00	00	00	01	00	00	00	00
05	0531044175	BODY FRAME ASSY - 7	6	00	00	00	00	01	00	00	00
06	0531042927	BODY FRAME ASSY - 7/6	7	00	00	00	00	00	01	00	00
07	0531042636	BODY FRAME ASSY - 7/7	8	00	00	00	00	00	00	01	00
08	0531044444	BODY FRAME ASSY - 8/7	9	00	00	00	00	00	00	00	01
09	0531044983	BODY FRAME ASSY - 8/8	10	00	00	00	00	00	00	00	00
10	0531044733	BODY FRAME ASSY - 8/8	11	00	00	00	00	00	00	00	00
11	0501052242	FRONT FRAME SET ASSY	29	01	01	01	01	01	01	01	00
12	0521046185	FRONT FRAME ASSEMBLY	30	00	00	00	00	00	00	00	01
13	0531040030	FRONT SET FRAME ASSY	31	00	00	00	00	00	00	00	00
14	0511028289	BOX COMPONENTS WITH SUPPORT FIXING	36	00	00	00	01	00	00	01	01

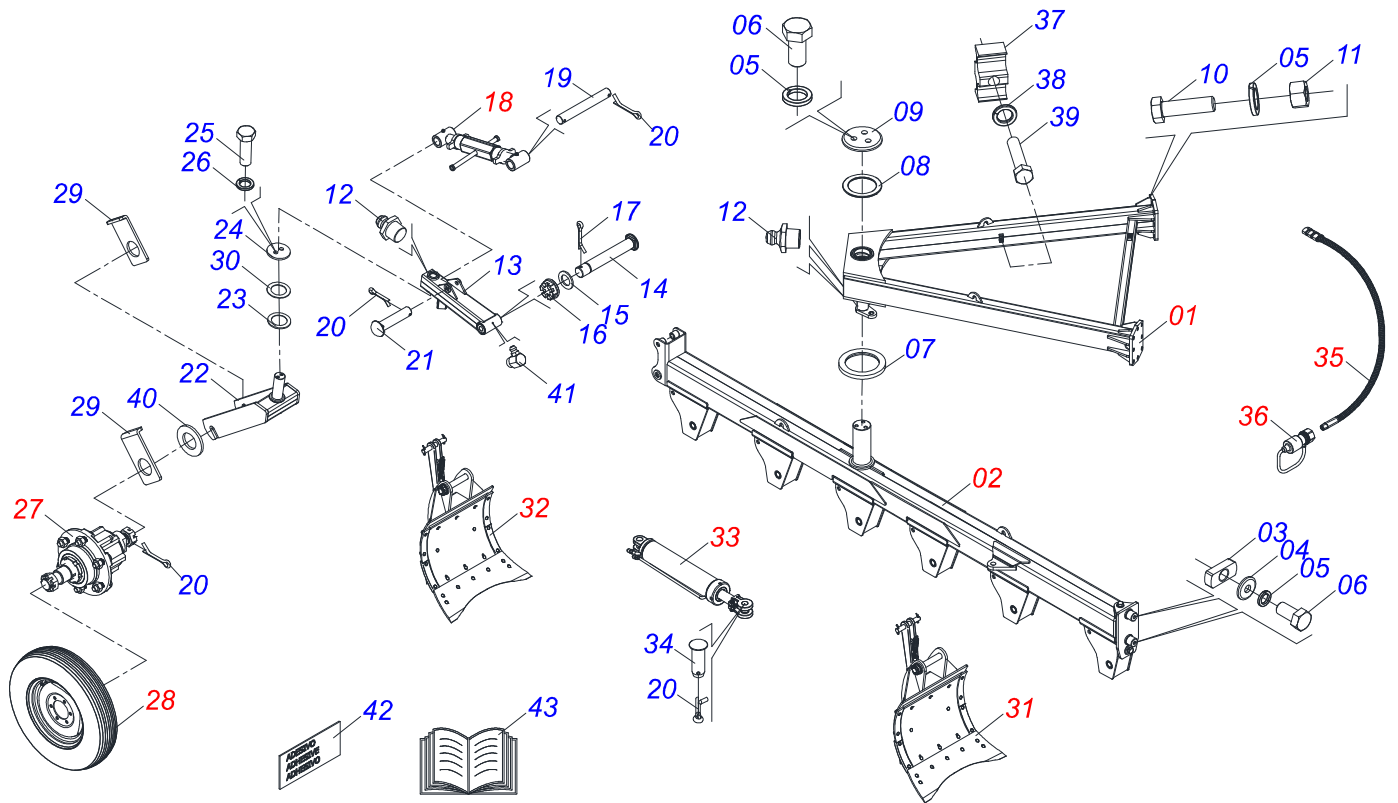




**AARP - CONCAVE**  
**BODY FRAME ASSY - 5**

Page 2  
0531044123

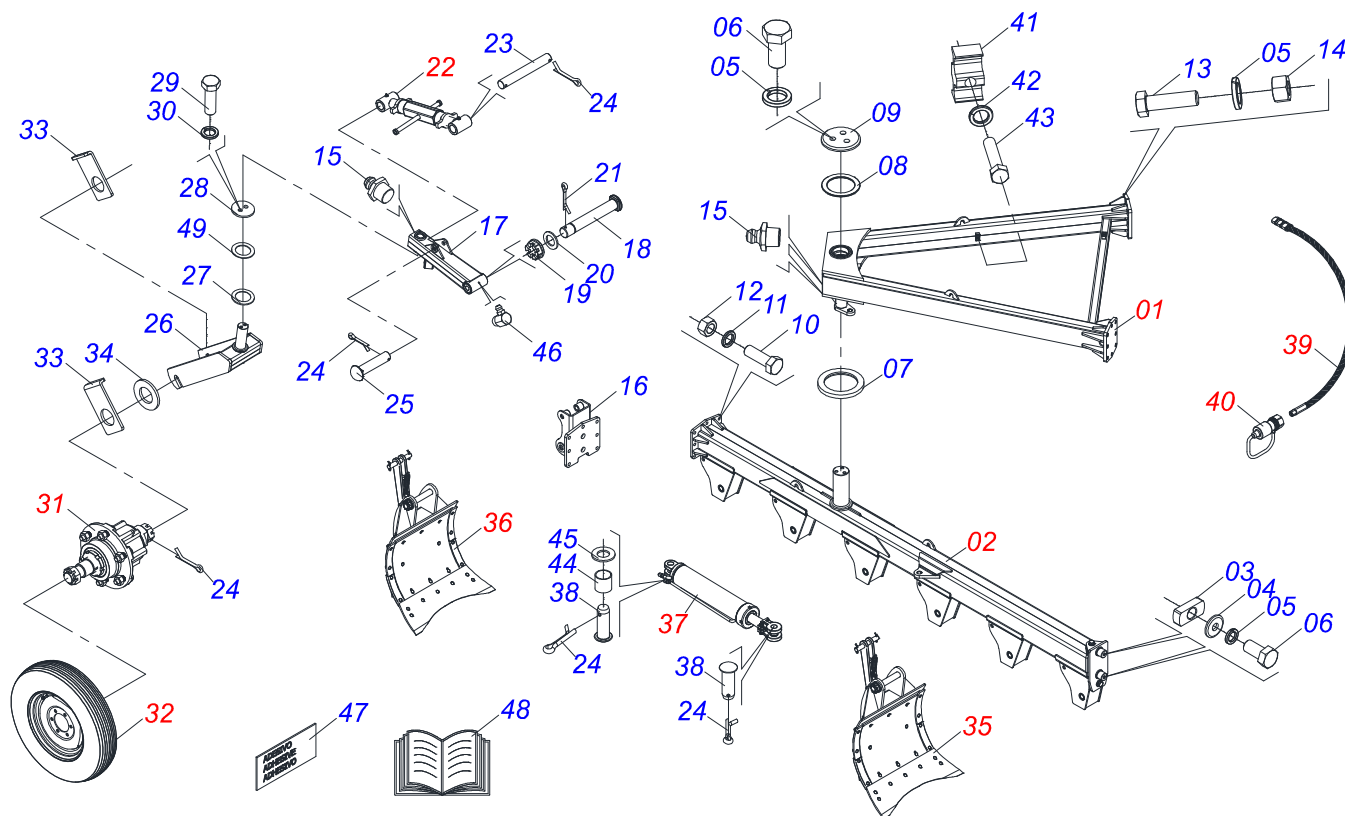
<b>Item</b>	<b>Code</b>	<b>Description</b>	<b>See page</b>	<b>QT</b>
31	0531059854	MOLDBOARD FRONT ASSY	17	02
32	0531059853	REAR MOLDBOARD ASSY	18	03
33	0511058402	HYDRAULIC CYLINDER 50,80 X 101,60 X 800 X 1202	19	01
34	0521012538	1.2" X 3.5" COUPLING SHAFT		02
35	0511052996	HOSE KIT	20	01
36	0501053834	MALE QUICK COUPLER	21	02
37	0502012702	BODY SUPPORT CLAMP		04
38	0503010180	7/16" SPRING WASHER		04
39	0503012555	SCREW 7/16 UNC X 2 CS RT G.7 ZN		04
40	0501010307	FLAT WASHER		01
41	0503010004	1890 GREASE FITTING		01
42	0503060798	SET LABEL ADHESIVE		01
43	0511030036	BAG WITH INSTRUCTION MANUAL		01



Item	Code	Description	See page	QT
01	0511053035	BODY REAR FRAME ASSY	12	01
02	0511053038	BODY FRAME ASSY - 6	22	01
03	0521014020	LOWER GUIDE PLATE		02
04	0521014196	FLAT WASHER		02
05	0503010012	1" SPRING WASHER		22
06	0503010953	BOLT 1 UNC X 2 C S G.5 ZN		05
07	0521014041	SPACING BUSHING AXLE 127,50 X 175 X 16		01
08	0521014197	FLAT WASHER		01
09	0521014022	UPPER FLANGE		01
10	0503016484	1" X 3-1/2" BOLT		16
11	0503010340	1" NUT		16
12	0503010002	1800 GREASE FITTING		03
13	0511069625	ARM FIXER CARRYING-WHEELS		01
14	0561018588	COUPLING SHAFT		01
15	0501012916	FLAT WASHER 40 X 66 X 4,75 ZN		03
16	0501011301	1.1/2" UNC 6FPP 2.5/16" NUT		01
17	0503010010	SPLIT PIN 1/4" X 2.1/2"		01
18	0501047699	ESTABILIZER ASSY	14	01
19	0521014216	COUPLING SHAFT		01
20	0503010523	1/4" X 2" SPLIT PIN		05
21	0521014092	AXLE LOCK		01
22	0511060365	CARRYING WHEELS FIXER		01
23	0521014023	MIDDLEMAN FLANGE		01
24	0521014014	REAR FIXER FLANGE		01
25	0501010100	BOLT 5/8" UNC X 2 CS G.5 ZN		02
26	0503010027	5/8 SPRING WASHER		02
27	0501052245	WHEEL WITHOUT TIRE	15	01
28	0503060094	WHEEL AND TIRE ASSY	16	01
29	0531015109	WHEEL AXLE LOCK		02
30	0521014024	WASHER SPACER		01

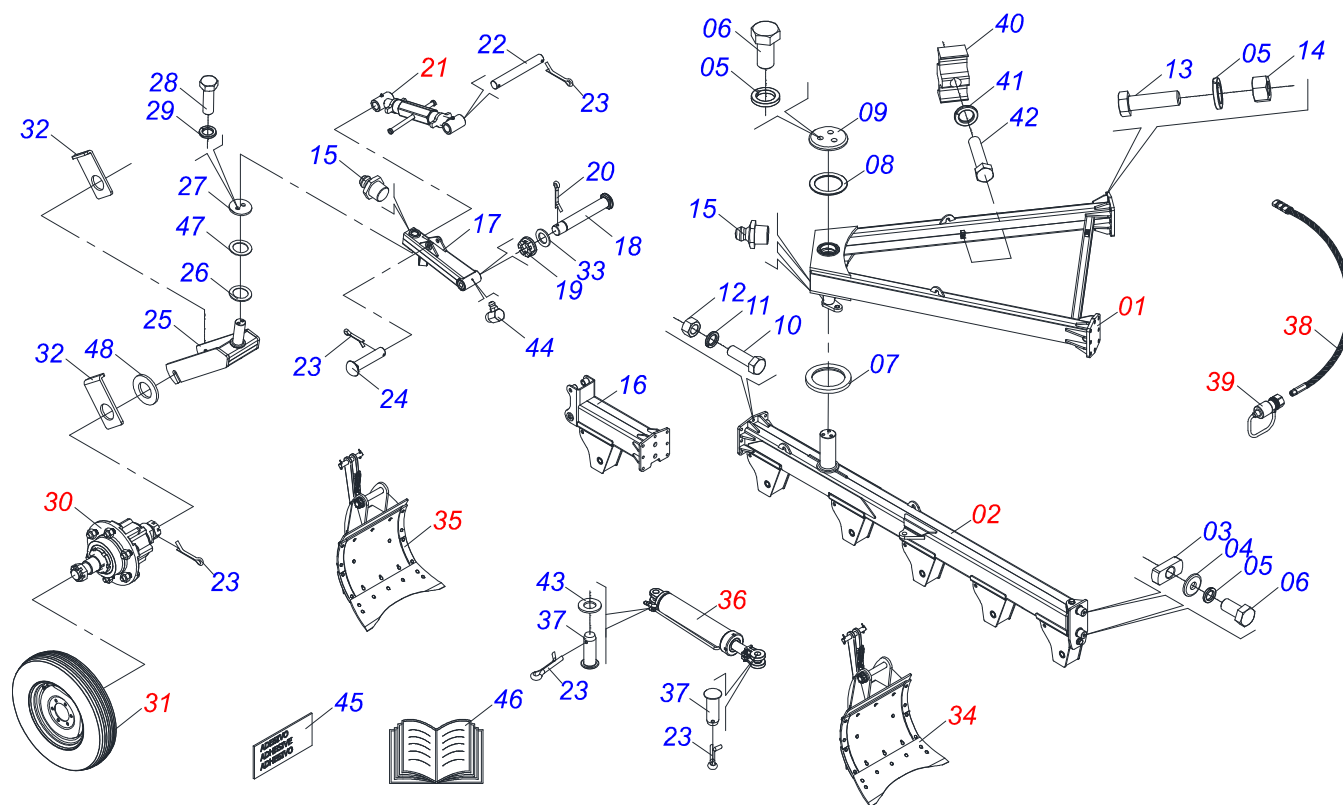
<b>Item</b>	<b>Code</b>	<b>Description</b>	<b>See page</b>	<b>QT</b>
31	0531059854	MOLDBOARD FRONT ASSY	17	03
32	0531059853	REAR MOLDBOARD ASSY	18	03
33	0511058402	HYDRAULIC CYLINDER 50,80 X 101,60 X 800 X 1202	19	01
34	0521012538	1.2" X 3.5" COUPLING SHAFT		02
35	0511052996	HOSE KIT	20	01
36	0501053834	MALE QUICK COUPLER	21	02
37	0502012702	BODY SUPPORT CLAMP		04
38	0503010180	7/16" SPRING WASHER		04
39	0503012555	SCREW 7/16 UNC X 2 CS RT G.7 ZN		04
40	0501010307	FLAT WASHER		01
41	0503010004	1890 GREASE FITTING		01
42	0503060798	SET LABEL ADHESIVE		01
43	0511030036	BAG WITH INSTRUCTION MANUAL		01





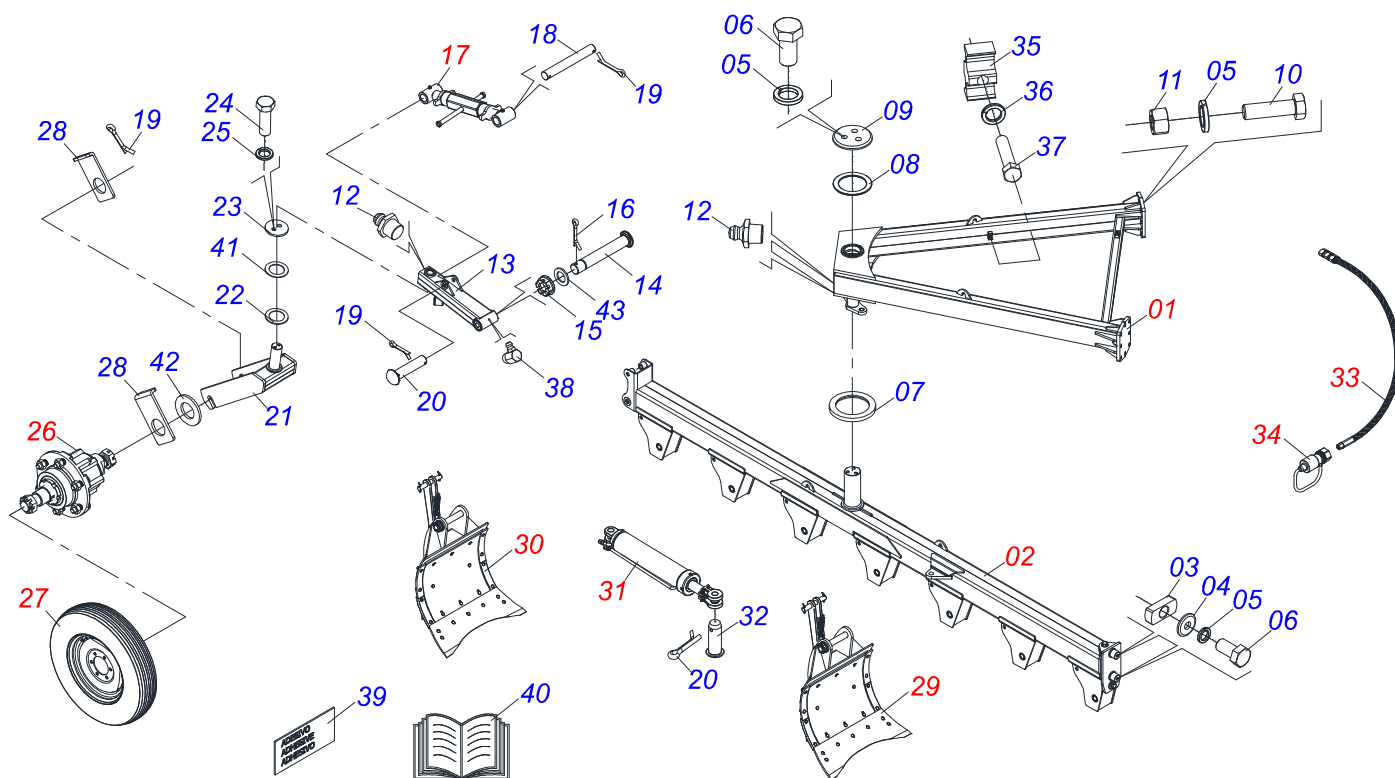
Item	Code	Description	See page	QT
01	0511053035	BODY REAR FRAME ASSY	12	01
02	0511053036	SET BODY FRAME MOLDBOARDS	23	01
03	0521014020	LOWER GUIDE PLATE		02
04	0521014196	FLAT WASHER		02
05	0503010012	1" SPRING WASHER		21
06	0503010953	BOLT 1 UNC X 2 C S G.5 ZN		05
07	0521014041	SPACING BUSHING AXLE 127,50 X 175 X 16		01
08	0521014197	FLAT WASHER		01
09	0521014022	UPPER FLANGE		01
10	0503012419	7/8" X 2-3/4" BOLT		07
11	0503010408	7/8" SPRING WASHER		07
12	0503011066	7/8" NUT		07
13	0503016484	1" X 3-1/2" BOLT		16
14	0503010340	1" NUT		16
15	0503010002	1800 GREASE FITTING		03
16	0521060973	SUPPORT FIXER ARM REAR CARRYING-WHEELS		01
17	0511069625	ARM FIXER CARRYING-WHEELS		01
18	0561018588	COUPLING SHAFT		01
19	0501011301	1.1/2" UNC 6FPP 2.5/16" NUT		01
20	0501012916	FLAT WASHER 40 X 66 X 4,75 ZN		03
21	0503010010	SPLIT PIN 1/4" X 2.1/2"		01
22	0501047699	ESTABILIZER ASSY	14	01
23	0521014216	COUPLING SHAFT		01
24	0503010523	1/4" X 2" SPLIT PIN		07
25	0521014092	AXLE LOCK		01
26	0511060365	CARRYING WHEELS FIXER		01
27	0521014023	MIDDLEMAN FLANGE		01
28	0521014014	REAR FIXER FLANGE		01
29	0501010100	BOLT 5/8" UNC X 2 CS G.5 ZN		02
30	0503010027	5/8 SPRING WASHER		02

Item	Code	Description	See page	QT
31	0501052245	WHEEL WITHOUT TIRE	15	01
32	0503060094	WHEEL AND TIRE ASSY	16	01
33	0531015109	WHEEL AXLE LOCK		02
34	0501010307	FLAT WASHER		01
35	0531059854	MOLDBOARD FRONT ASSY	17	02
36	0531059853	REAR MOLDBOARD ASSY	18	03
37	0511058402	HYDRAULIC CYLINDER 50,80 X 101,60 X 800 X 1202	19	01
38	0521012538	1.2" X 3.5" COUPLING SHAFT		02
39	0511052996	HOSE KIT	20	01
40	0501053834	MALE QUICK COUPLER	21	02
41	0502012702	BODY SUPPORT CLAMP		04
42	0503010180	7/16" SPRING WASHER		04
43	0503012555	SCREW 7/16 UNC X 2 CS RT G.7 ZN		04
44	0511019920	SLEEVE 32,70 X 38,80 X 25,40		02
45	0501017779	FLAT WASHER 32 X 60 X 4,75		01
46	0503010004	1890 GREASE FITTING		01
47	0503060798	SET LABEL ADHESIVE		01
48	0511030036	BAG WITH INSTRUCTION MANUAL		01
49	0521014024	WASHER SPACER		01



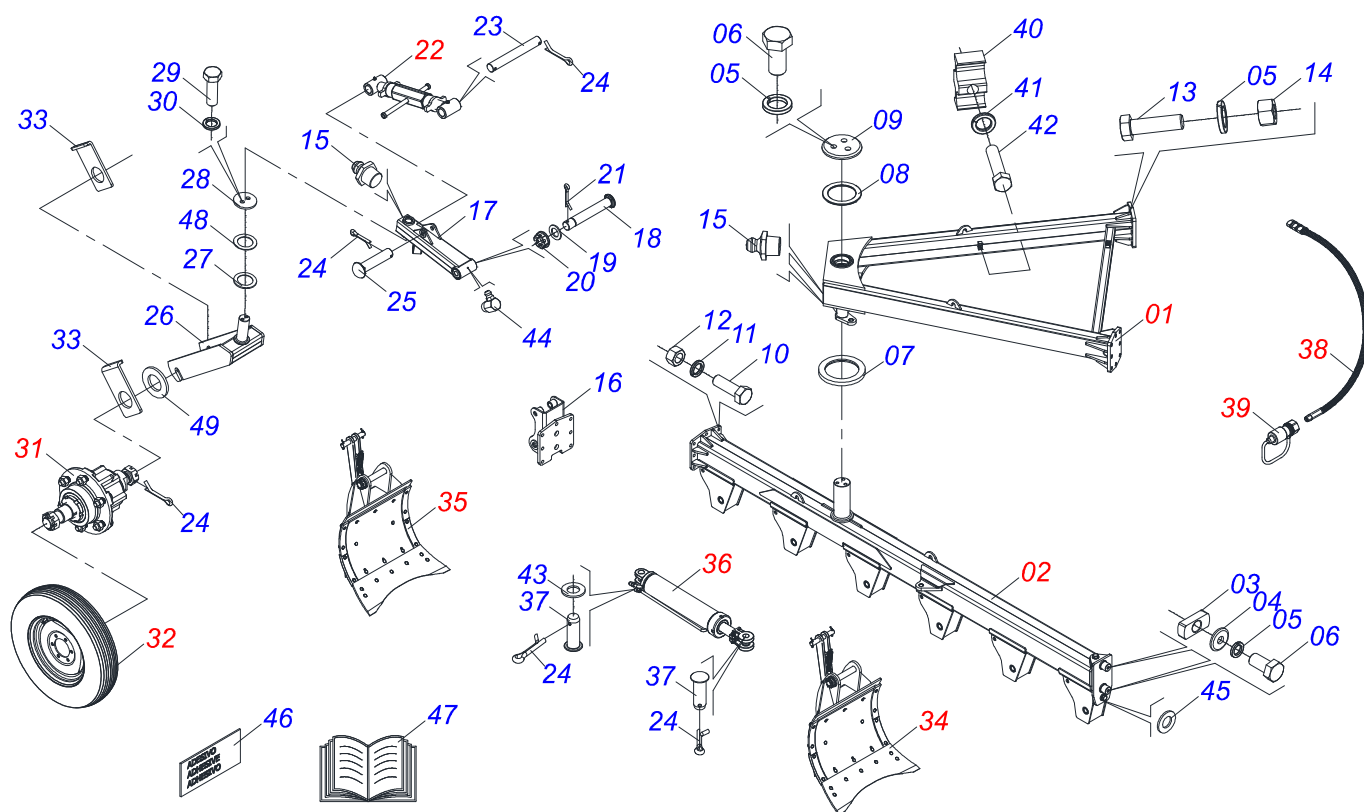
Item	Code	Description	See page	QT
01	0511053035	BODY REAR FRAME ASSY	12	01
02	0511053036	SET BODY FRAME MOLDBOARDS	23	01
03	0521014020	LOWER GUIDE PLATE		02
04	0521014196	FLAT WASHER		02
05	0503010012	1" SPRING WASHER		21
06	0503010953	BOLT 1 UNC X 2 C S G.5 ZN		05
07	0521014041	SPACING BUSHING AXLE 127,50 X 175 X 16		01
08	0521014197	FLAT WASHER		01
09	0521014022	UPPER FLANGE		01
10	0503012419	7/8" X 2-3/4" BOLT		07
11	0503010408	7/8" SPRING WASHER		07
12	0503011066	7/8" NUT		07
13	0503016484	1" X 3-1/2" BOLT		16
14	0503010340	1" NUT		16
15	0503010002	1800 GREASE FITTING		03
16	0521060974	ADAPTER		01
17	0511069625	ARM FIXER CARRYING-WHEELS		01
18	0561018588	COUPLING SHAFT		01
19	0501011301	1.1/2" UNC 6FPP 2.5/16" NUT		01
20	0503010010	SPLIT PIN 1/4" X 2.1/2"		01
21	0501047699	ESTABILIZER ASSY	14	01
22	0521014216	COUPLING SHAFT		01
23	0503010523	1/4" X 2" SPLIT PIN		07
24	0521014092	AXLE LOCK		01
25	0511060365	CARRYING WHEELS FIXER		01
26	0521014023	MIDDLEMAN FLANGE		01
27	0521014014	REAR FIXER FLANGE		01
28	0501010100	BOLT 5/8" UNC X 2 CS G.5 ZN		02
29	0503010027	5/8 SPRING WASHER		02
30	0501052245	WHEEL WITHOUT TIRE	15	01

Item	Code	Description	See page	QT
31	0503060094	WHEEL AND TIRE ASSY	16	01
32	0531015109	WHEEL AXLE LOCK		02
33	0501012916	FLAT WASHER 40 X 66 X 4,75 ZN		03
34	0531059854	MOLDBOARD FRONT ASSY	17	03
35	0531059853	REAR MOLDBOARD ASSY	18	03
36	0511058402	HYDRAULIC CYLINDER 50,80 X 101,60 X 800 X 1202	19	01
37	0521012538	1.2" X 3.5" COUPLING SHAFT		02
38	0511052996	HOSE KIT	20	01
39	0501053834	MALE QUICK COUPLER	21	02
40	0502012702	BODY SUPPORT CLAMP		04
41	0503010180	7/16" SPRING WASHER		04
42	0503012555	SCREW 7/16 UNC X 2 CS RT G.7 ZN		04
43	0501017779	FLAT WASHER 32 X 60 X 4,75		01
44	0503010004	1890 GREASE FITTING		01
45	0503060798	SET LABEL ADHESIVE		01
46	0511030036	BAG WITH INSTRUCTION MANUAL		01
47	0521014024	WASHER SPACER		01
48	0501010307	FLAT WASHER		01



Item	Code	Description	See page	QT
01	0511053035	BODY REAR FRAME ASSY	12	01
02	0511053039	BODY FRAME ASSY - 7	24	01
03	0521014020	LOWER GUIDE PLATE		02
04	0521014196	FLAT WASHER		03
05	0503010012	1" SPRING WASHER		22
06	0503010953	BOLT 1 UNC X 2 C S G.5 ZN		05
07	0521014041	SPACING BUSHING AXLE 127,50 X 175 X 16		01
08	0521014197	FLAT WASHER		01
09	0521014022	UPPER FLANGE		01
10	0503016484	1" X 3-1/2" BOLT		16
11	0503010340	1" NUT		16
12	0503010002	1800 GREASE FITTING		03
13	0511069625	ARM FIXER CARRYING-WHEELS		01
14	0561018588	COUPLING SHAFT		01
15	0501011301	1.1/2" UNC 6FPP 2.5/16" NUT		01
16	0503010010	SPLIT PIN 1/4" X 2.1/2"		01
17	0501047699	ESTABILIZER ASSY	14	01
18	0521014216	COUPLING SHAFT		01
19	0503010523	1/4" X 2" SPLIT PIN		05
20	0521014092	AXLE LOCK		01
21	0511060365	CARRYING WHEELS FIXER		01
22	0521014023	MIDDLEMAN FLANGE		01
23	0521014014	REAR FIXER FLANGE		01
24	0501010100	BOLT 5/8" UNC X 2 CS G.5 ZN		02
25	0503010027	5/8 SPRING WASHER		02
26	0501052245	WHEEL WITHOUT TIRE	15	01
27	0503060094	WHEEL AND TIRE ASSY	16	01
28	0531015109	WHEEL AXLE LOCK		02
29	0531059854	MOLDBOARD FRONT ASSY	17	04
30	0531059853	REAR MOLDBOARD ASSY	18	03

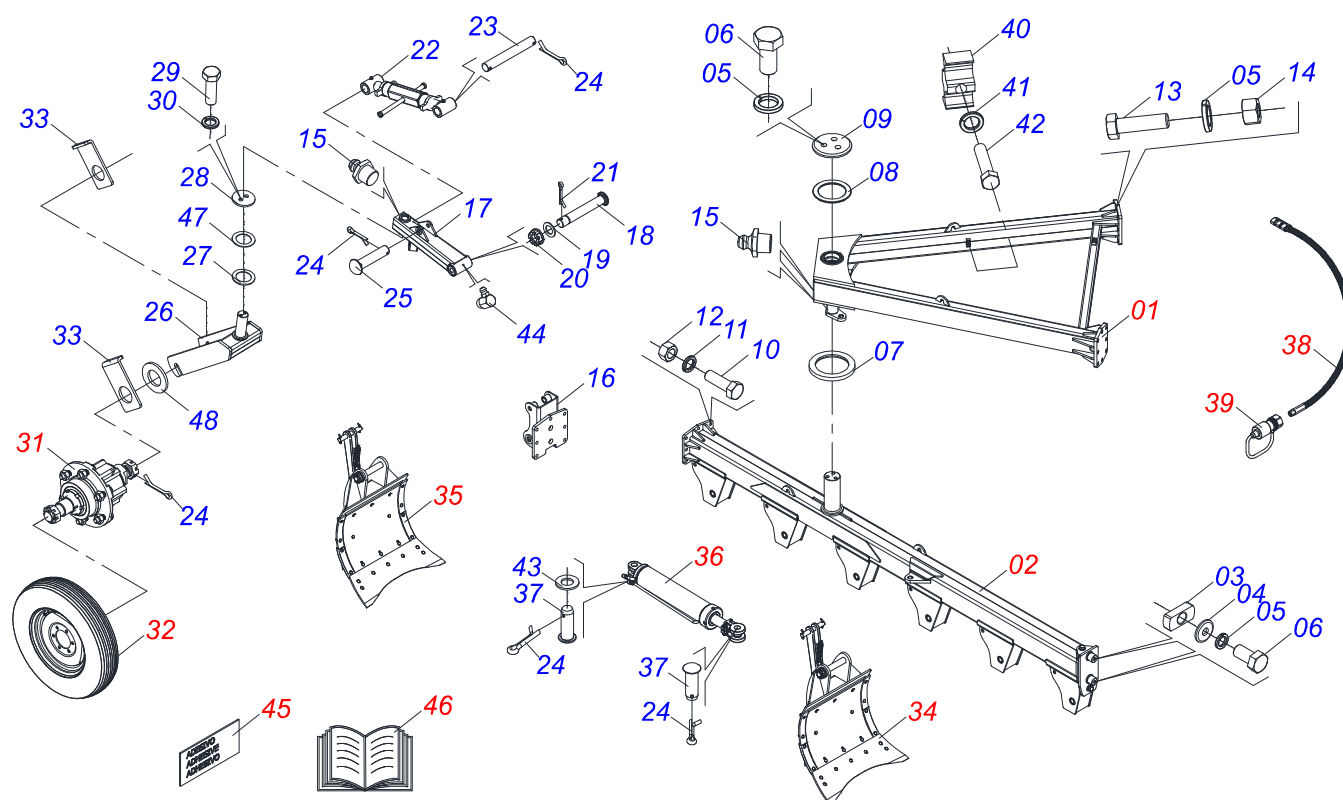
Item	Code	Description	See page	QT
31	0511058402	HYDRAULIC CYLINDER 50,80 X 101,60 X 800 X 1202	19	01
32	0521012538	1.2" X 3.5" COUPLING SHAFT		02
33	0511052996	HOSE KIT	20	01
34	0501053834	MALE QUICK COUPLER	21	02
35	0502012702	BODY SUPPORT CLAMP		04
36	0503010180	7/16" SPRING WASHER		04
37	0503012555	SCREW 7/16 UNC X 2 CS RT G.7 ZN		04
38	0503010004	1890 GREASE FITTING		01
39	0503060798	SET LABEL ADHESIVE		01
40	0511030036	BAG WITH INSTRUCTION MANUAL		01
41	0521014024	WASHER SPACER		01
42	0501010307	FLAT WASHER		01
43	0501012916	FLAT WASHER 40 X 66 X 4,75 ZN		03



Item	Code	Description	See page	QT
01	0521041929	BODY REAR FRAME ASSY	25	01
02	0521041928	SET BODY FRAME MOLDBOARDS	26	01
03	0521014020	LOWER GUIDE PLATE		02
04	0521014196	FLAT WASHER		02
05	0503010012	1" SPRING WASHER		21
06	0503010953	BOLT 1 UNC X 2 C S G.5 ZN		05
07	0521014041	SPACING BUSHING AXLE 127,50 X 175 X 16		01
08	0521014197	FLAT WASHER		01
09	0521014022	UPPER FLANGE		01
10	0503012419	7/8" X 2-3/4" BOLT		07
11	0503010408	7/8" SPRING WASHER		07
12	0503011066	7/8" NUT		07
13	0503016484	1" X 3-1/2" BOLT		16
14	0503010340	1" NUT		16
15	0503010002	1800 GREASE FITTING		03
16	0521060973	SUPPORT FIXER ARM REAR CARRYING-WHEELS		01
17	0511069625	ARM FIXER CARRYING-WHEELS		01
18	0561018588	COUPLING SHAFT		01
19	0501012916	FLAT WASHER 40 X 66 X 4,75 ZN		03
20	0501011301	1.1/2" UNC 6FPP 2.5/16" NUT		01
21	0503010010	SPLIT PIN 1/4" X 2.1/2"		01
22	0501047699	ESTABILIZER ASSY	14	01
23	0521014216	COUPLING SHAFT		01
24	0503010523	1/4" X 2" SPLIT PIN		07
25	0521014092	AXLE LOCK		01
26	0511060365	CARRYING WHEELS FIXER		01
27	0521014023	MIDDLEMAN FLANGE		01
28	0521014014	REAR FIXER FLANGE		01
29	0501010100	BOLT 5/8" UNC X 2 CS G.5 ZN		02
30	0503010027	5/8 SPRING WASHER		02

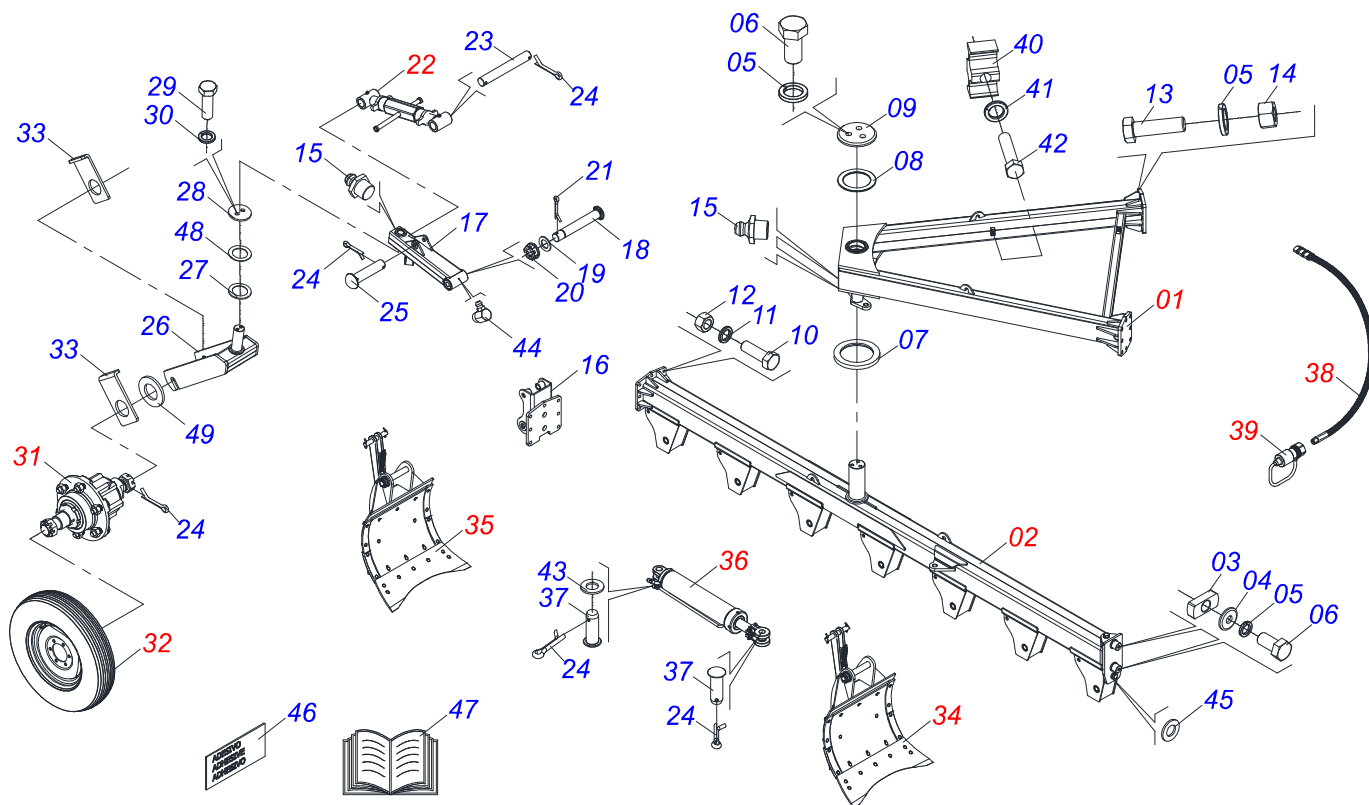
Item	Code	Description	See page	QT
31	0501052245	WHEEL WITHOUT TIRE	15	01
32	0503060094	WHEEL AND TIRE ASSY	16	01
33	0531015109	WHEEL AXLE LOCK		02
34	0531059854	MOLDBOARD FRONT ASSY	17	03
35	0531059853	REAR MOLDBOARD ASSY	18	03
36	0511058402	HYDRAULIC CYLINDER 50,80 X 101,60 X 800 X 1202	19	01
37	0521012538	1.2" X 3.5" COUPLING SHAFT		02
38	0511052996	HOSE KIT	20	01
39	0501053834	MALE QUICK COUPLER	21	02
40	0502012702	BODY SUPPORT CLAMP		04
41	0503010180	7/16" SPRING WASHER		04
42	0503012555	SCREW 7/16 UNC X 2 CS RT G.7 ZN		04
43	0501017779	FLAT WASHER 32 X 60 X 4,75		01
44	0503010004	1890 GREASE FITTING		01
45	0501010065	1" SPRING WASHER		01
46	0503060798	SET LABEL ADHESIVE		01
47	0511030036	BAG WITH INSTRUCTION MANUAL		01
48	0521014024	WASHER SPACER		01
49	0501010307	FLAT WASHER		01





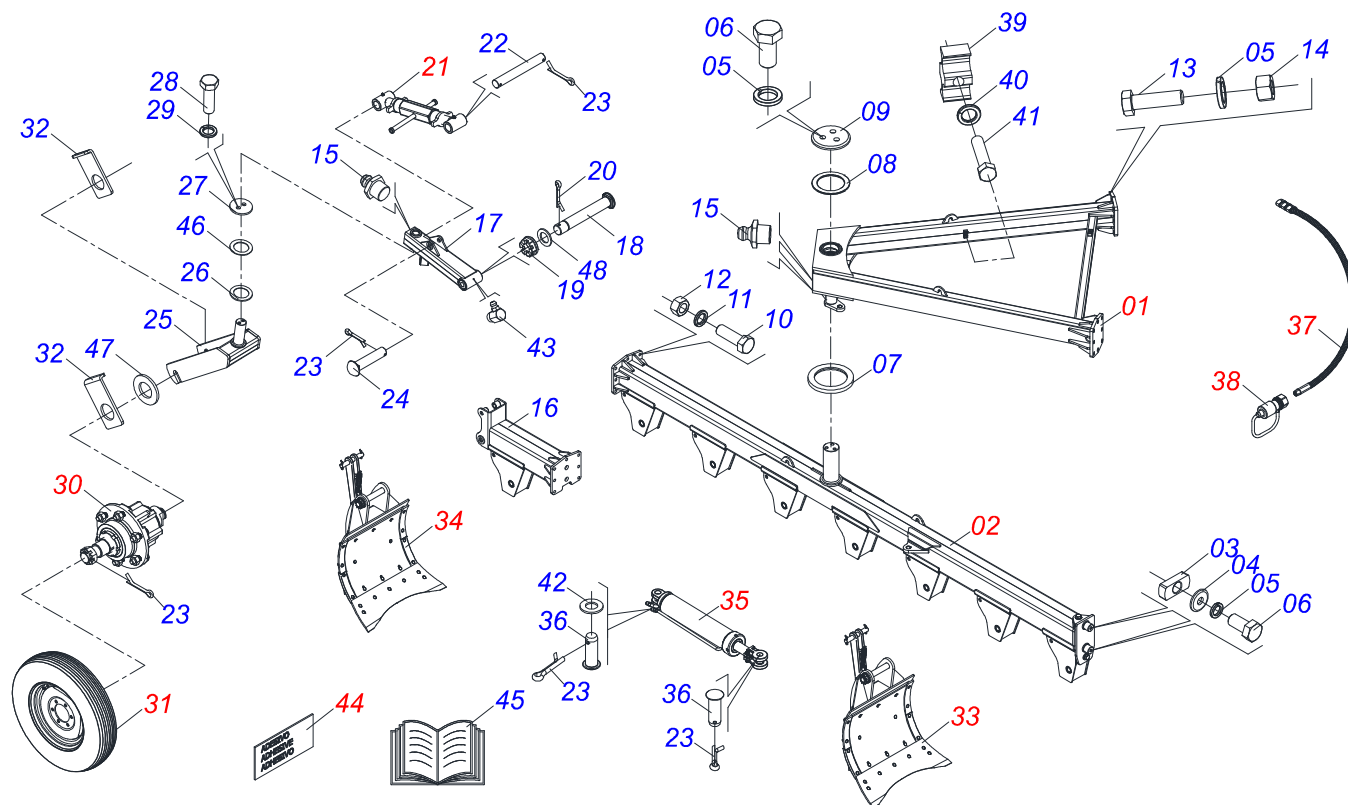
Item	Code	Description	See page	QT
01	0521041929	BODY REAR FRAME ASSY	25	01
02	0521041928	SET BODY FRAME MOLDBOARDS	26	01
03	0521014020	LOWER GUIDE PLATE		02
04	0521014196	FLAT WASHER		02
05	0503010012	1" SPRING WASHER		21
06	0503010953	BOLT 1 UNC X 2 C S G.5 ZN		05
07	0521014041	SPACING BUSHING AXLE 127,50 X 175 X 16		01
08	0521014197	FLAT WASHER		01
09	0521014022	UPPER FLANGE		01
10	0503012419	7/8" X 2-3/4" BOLT		07
11	0503010408	7/8" SPRING WASHER		07
12	0503011066	7/8" NUT		07
13	0503016484	1" X 3-1/2" BOLT		16
14	0503010340	1" NUT		16
15	0503010002	1800 GREASE FITTING		03
16	0521060974	ADAPTER		01
17	0511069625	ARM FIXER CARRYING-WHEELS		01
18	0561018588	COUPLING SHAFT		01
19	0501012916	FLAT WASHER 40 X 66 X 4,75 ZN		03
20	0501011301	1.1/2" UNC 6FPP 2.5/16" NUT		01
21	0503010010	SPLIT PIN 1/4" X 2.1/2"		01
22	0501047699	ESTABILIZER ASSY	14	01
23	0521014216	COUPLING SHAFT		01
24	0503010523	1/4" X 2" SPLIT PIN		07
25	0521014092	AXLE LOCK		01
26	0511060365	CARRYING WHEELS FIXER		01
27	0521014023	MIDDLEMAN FLANGE		01
28	0521014014	REAR FIXER FLANGE		01
29	0501010100	BOLT 5/8" UNC X 2 CS G.5 ZN		02
30	0503010027	5/8 SPRING WASHER		02

Item	Code	Description	See page	QT
31	0501052245	WHEEL WITHOUT TIRE	15	01
32	0503060094	WHEEL AND TIRE ASSY	16	01
33	0531015109	WHEEL AXLE LOCK		02
34	0531059854	MOLDBOARD FRONT ASSY	17	04
35	0531059853	REAR MOLDBOARD ASSY	18	03
36	0511058402	HYDRAULIC CYLINDER 50,80 X 101,60 X 800 X 1202	19	01
37	0521012538	1.2" X 3.5" COUPLING SHAFT		02
38	0511052996	HOSE KIT	20	01
39	0501053834	MALE QUICK COUPLER	21	02
40	0502012702	BODY SUPPORT CLAMP		04
41	0503010180	7/16" SPRING WASHER		04
42	0503012555	SCREW 7/16 UNC X 2 CS RT G.7 ZN		04
43	0501017779	FLAT WASHER 32 X 60 X 4,75		01
44	0503010004	1890 GREASE FITTING		01
45	0503060798	SET LABEL ADHESIVE		01
46	0511030036	BAG WITH INSTRUCTION MANUAL		01
47	0521014024	WASHER SPACER		01
48	0501010307	FLAT WASHER		01



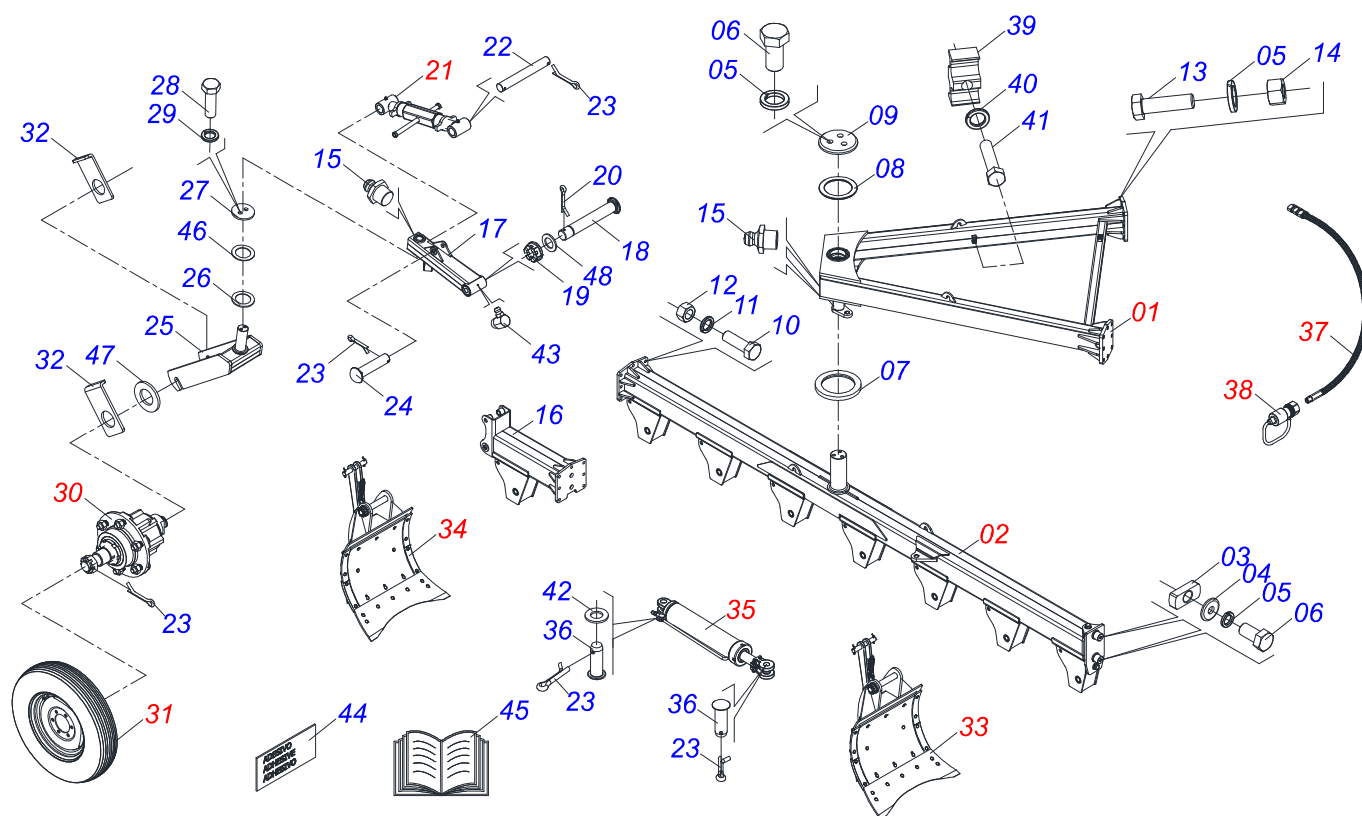
Item	Code	Description	See page	QT
01	0511058737	ASSY BODY FRAME MOLDBOARDS	27	01
02	0511058738	BODY FRAME ASSY - 8	28	01
03	0521014020	LOWER GUIDE PLATE		02
04	0521014196	FLAT WASHER		02
05	0503010012	1" SPRING WASHER		21
06	0503010953	BOLT 1 UNC X 2 C S G.5 ZN		05
07	0521014041	SPACING BUSHING AXLE 127,50 X 175 X 16		01
08	0521014197	FLAT WASHER		01
09	0521014022	UPPER FLANGE		01
10	0503012419	7/8" X 2-3/4" BOLT		07
11	0503010408	7/8" SPRING WASHER		07
12	0503011066	7/8" NUT		07
13	0503016484	1" X 3-1/2" BOLT		16
14	0503010340	1" NUT		16
15	0503010002	1800 GREASE FITTING		03
16	0521060973	SUPPORT FIXER ARM REAR CARRYING-WHEELS		01
17	0511069625	ARM FIXER CARRYING-WHEELS		01
18	0561018588	COUPLING SHAFT		01
19	0501012916	FLAT WASHER 40 X 66 X 4,75 ZN		03
20	0501011301	1.1/2" UNC 6FPP 2.5/16" NUT		01
21	0503010010	SPLIT PIN 1/4" X 2.1/2"		01
22	0501047699	ESTABILIZER ASSY	14	01
23	0521014216	COUPLING SHAFT		01
24	0503010523	1/4" X 2" SPLIT PIN		07
25	0521014092	AXLE LOCK		01
26	0511060365	CARRYING WHEELS FIXER		01
27	0521014023	MIDDLEMAN FLANGE		01
28	0521014014	REAR FIXER FLANGE		01
29	0501010100	BOLT 5/8" UNC X 2 CS G.5 ZN		02
30	0503010027	5/8 SPRING WASHER		02

Item	Code	Description	See page	QT
31	0501052245	WHEEL WITHOUT TIRE	15	01
32	0503060094	WHEEL AND TIRE ASSY	16	01
33	0531015109	WHEEL AXLE LOCK		02
34	0531059853	REAR MOLDBOARD ASSY	18	03
35	0531059854	MOLDBOARD FRONT ASSY	17	04
36	0511058402	HYDRAULIC CYLINDER 50,80 X 101,60 X 800 X 1202	19	01
37	0521012538	1.2" X 3.5" COUPLING SHAFT		02
38	0511052996	HOSE KIT	20	01
39	0501053834	MALE QUICK COUPLER	21	02
40	0502012702	BODY SUPPORT CLAMP		04
41	0503010180	7/16" SPRING WASHER		04
42	0503012555	SCREW 7/16 UNC X 2 CS RT G.7 ZN		04
43	0501017779	FLAT WASHER 32 X 60 X 4,75		01
44	0503010004	1890 GREASE FITTING		01
45	0501010065	1" SPRING WASHER		01
46	0503060798	SET LABEL ADHESIVE		01
47	0511030036	BAG WITH INSTRUCTION MANUAL		01
48	0521014024	WASHER SPACER		01
49	0501010307	FLAT WASHER		01



Item	Code	Description	See page	QT
01	0511058737	ASSY BODY FRAME MOLDBOARDS	27	01
02	0511058738	BODY FRAME ASSY - 8	28	01
03	0521014020	LOWER GUIDE PLATE		02
04	0521014196	FLAT WASHER		02
05	0503010012	1" SPRING WASHER		21
06	0503010953	BOLT 1 UNC X 2 C S G.5 ZN		05
07	0521014041	SPACING BUSHING AXLE 127,50 X 175 X 16		01
08	0521014197	FLAT WASHER		01
09	0521014022	UPPER FLANGE		01
10	0503012419	7/8" X 2-3/4" BOLT		07
11	0503010408	7/8" SPRING WASHER		07
12	0503011066	7/8" NUT		07
13	0503016484	1" X 3-1/2" BOLT		16
14	0503010340	1" NUT		16
15	0503010002	1800 GREASE FITTING		03
16	0521060974	ADAPTER		01
17	0511069625	ARM FIXER CARRYING-WHEELS		01
18	0561018588	COUPLING SHAFT		01
19	0501011301	1.1/2" UNC 6FPP 2.5/16" NUT		01
20	0503010010	SPLIT PIN 1/4" X 2.1/2"		01
21	0501047699	ESTABILIZER ASSY	14	01
22	0521014216	COUPLING SHAFT		01
23	0503010523	1/4" X 2" SPLIT PIN		07
24	0521014092	AXLE LOCK		01
25	0511060365	CARRYING WHEELS FIXER		01
26	0521014023	MIDDLEMAN FLANGE		01
27	0521014014	REAR FIXER FLANGE		01
28	0501010100	BOLT 5/8" UNC X 2 CS G.5 ZN		02
29	0503010027	5/8 SPRING WASHER		02
30	0501052245	WHEEL WITHOUT TIRE	15	01

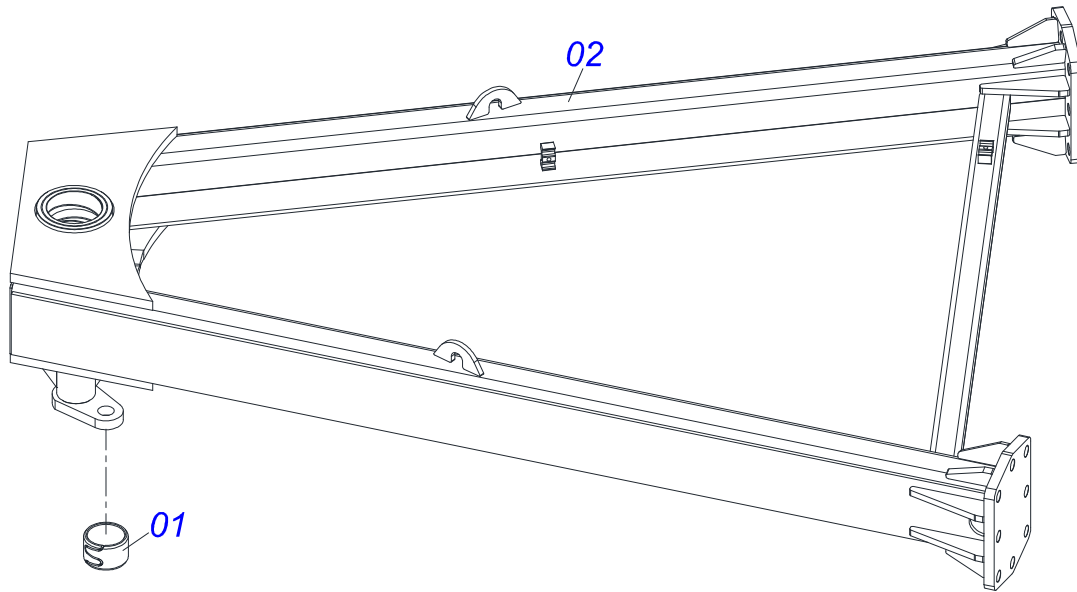
Item	Code	Description	See page	QT
31	0503060094	WHEEL AND TIRE ASSY	16	01
32	0531015109	WHEEL AXLE LOCK		02
33	0531059854	MOLDBOARD FRONT ASSY	17	05
34	0531059853	REAR MOLDBOARD ASSY	18	03
35	0511058402	HYDRAULIC CYLINDER 50,80 X 101,60 X 800 X 1202	19	01
36	0521012538	1.2" X 3.5" COUPLING SHAFT		02
37	0511052996	HOSE KIT	20	01
38	0501053834	MALE QUICK COUPLER	21	02
39	0502012702	BODY SUPPORT CLAMP		04
40	0503010180	7/16" SPRING WASHER		04
41	0503012555	SCREW 7/16 UNC X 2 CS RT G.7 ZN		04
42	0501017779	FLAT WASHER 32 X 60 X 4,75		01
43	0503010004	1890 GREASE FITTING		01
44	0503060798	SET LABEL ADHESIVE		01
45	0511030036	BAG WITH INSTRUCTION MANUAL		01
46	0521014024	WASHER SPACER		01
47	0501010307	FLAT WASHER		01
48	0501012916	FLAT WASHER 40 X 66 X 4,75 ZN		03



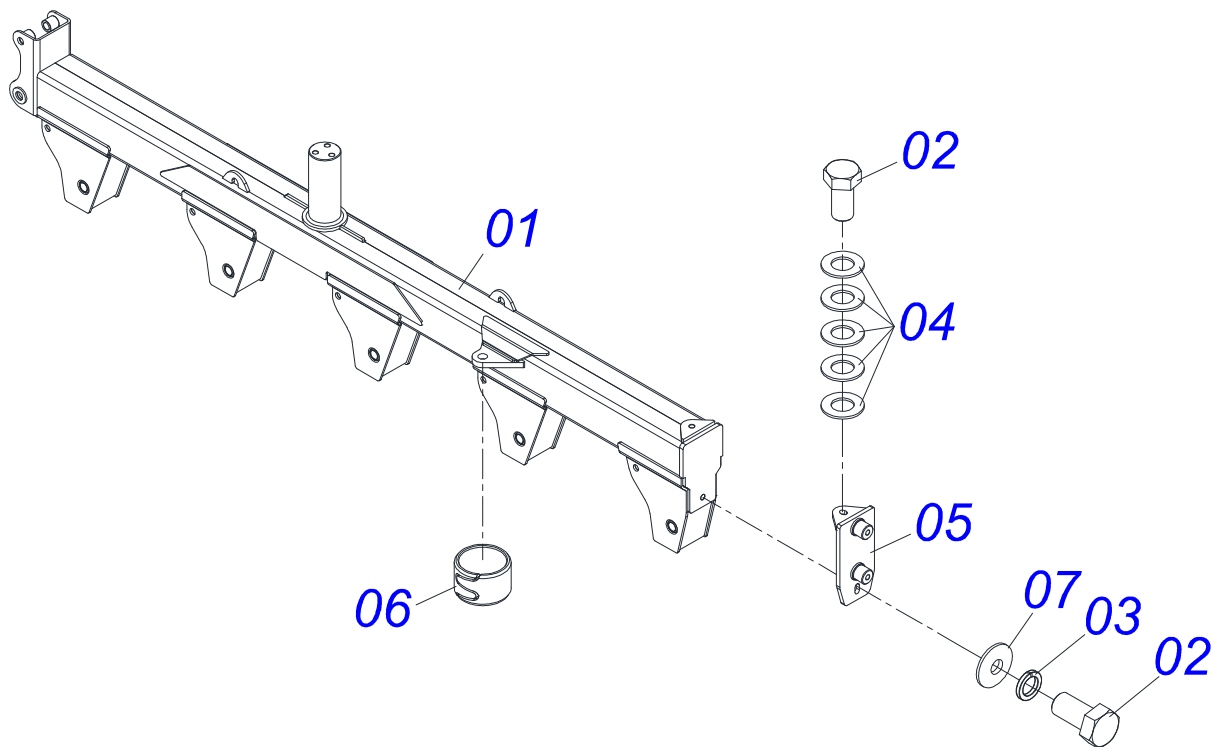
Item	Code	Description	See page	QT
01	0511058737	ASSY BODY FRAME MOLDBOARDS	27	01
02	0511058738	BODY FRAME ASSY - 8	28	01
03	0521014020	LOWER GUIDE PLATE		02
04	0521014196	FLAT WASHER		02
05	0503010012	1" SPRING WASHER		21
06	0503010953	BOLT 1 UNC X 2 C S G.5 ZN		05
07	0521014041	SPACING BUSHING AXLE 127,50 X 175 X 16		01
08	0521014197	FLAT WASHER		01
09	0521014022	UPPER FLANGE		01
10	0503012419	7/8" X 2-3/4" BOLT		07
11	0503010408	7/8" SPRING WASHER		07
12	0503011066	7/8" NUT		07
13	0503016484	1" X 3-1/2" BOLT		16
14	0503010340	1" NUT		16
15	0503010002	1800 GREASE FITTING		03
16	0521060974	ADAPTER		01
17	0511069625	ARM FIXER CARRYING-WHEELS		01
18	0561018588	COUPLING SHAFT		01
19	0501011301	1.1/2" UNC 6FPP 2.5/16" NUT		01
20	0503010010	SPLIT PIN 1/4" X 2.1/2"		01
21	0501047699	ESTABILIZER ASSY	14	01
22	0521014216	COUPLING SHAFT		01
23	0503010523	1/4" X 2" SPLIT PIN		07
24	0521014092	AXLE LOCK		01
25	0511060365	CARRYING WHEELS FIXER		01
26	0521014023	MIDDLEMAN FLANGE		01
27	0521014014	REAR FIXER FLANGE		01
28	0501010100	BOLT 5/8" UNC X 2 CS G.5 ZN		02
29	0503010027	5/8 SPRING WASHER		02
30	0501052245	WHEEL WITHOUT TIRE	15	01

Item	Code	Description	See page	QT
31	0503060094	WHEEL AND TIRE ASSY	16	01
32	0531015109	WHEEL AXLE LOCK		02
33	0531059854	MOLDBOARD FRONT ASSY	17	05
34	0531059853	REAR MOLDBOARD ASSY	18	03
35	0511058402	HYDRAULIC CYLINDER 50,80 X 101,60 X 800 X 1202	19	01
36	0521012538	1.2" X 3.5" COUPLING SHAFT		02
37	0511052996	HOSE KIT	20	01
38	0501053834	MALE QUICK COUPLER	21	02
39	0502012702	BODY SUPPORT CLAMP		04
40	0503010180	7/16" SPRING WASHER		04
41	0503012555	SCREW 7/16 UNC X 2 CS RT G.7 ZN		04
42	0501017779	FLAT WASHER 32 X 60 X 4,75		01
43	0503010004	1890 GREASE FITTING		01
44	0503060798	SET LABEL ADHESIVE		01
45	0511030036	BAG WITH INSTRUCTION MANUAL		01
46	0521014024	WASHER SPACER		01
47	0501010307	FLAT WASHER		01
48	0501012916	FLAT WASHER 40 X 66 X 4,75 ZN		03

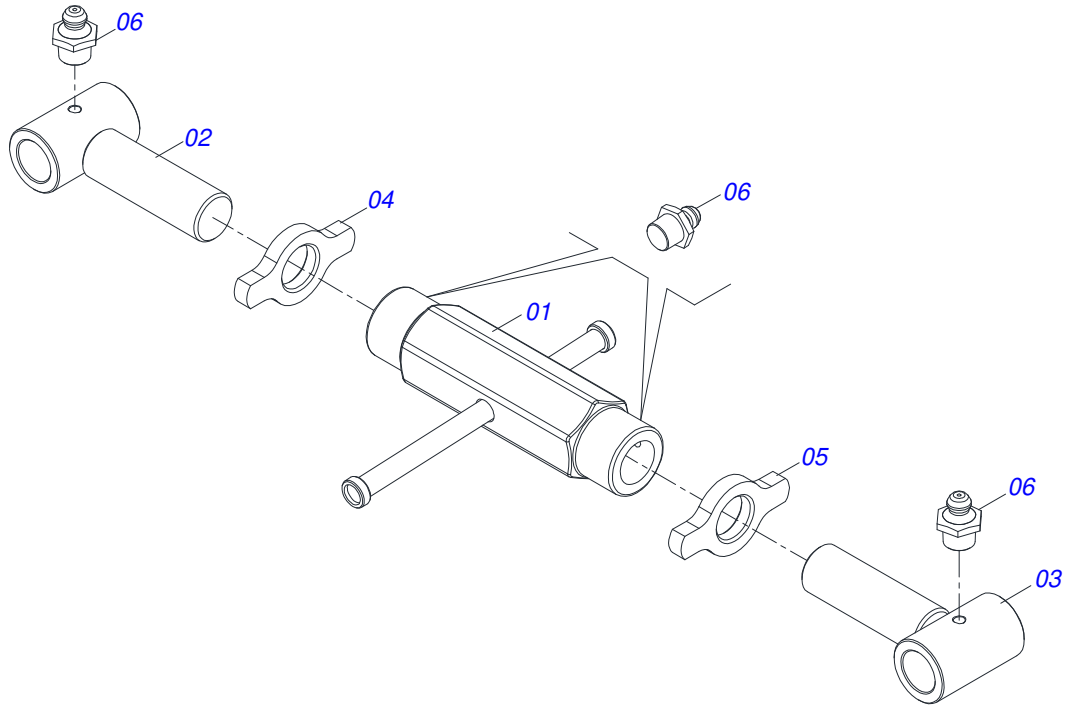




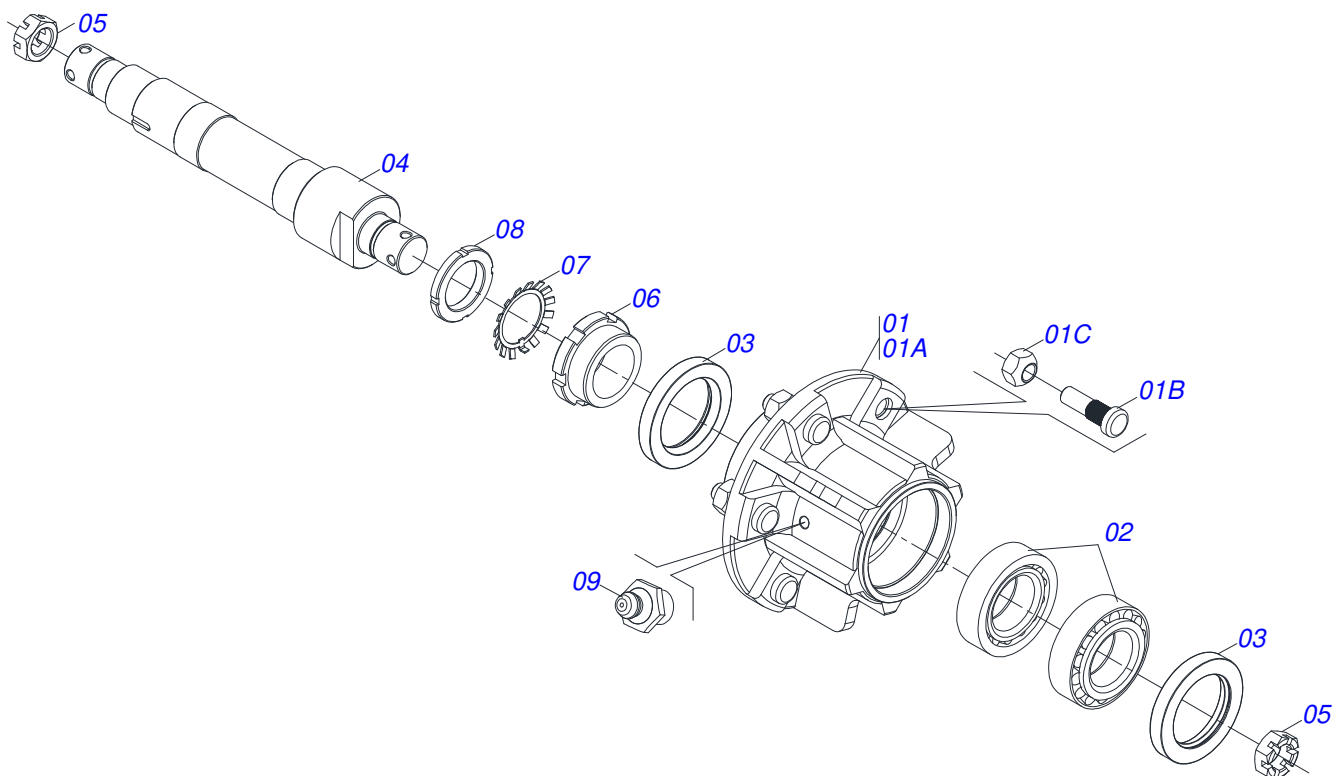
Item	Code	Description	See page	QT
01	0511019920	SLEEVE 32,70 X 38,80 X 25,40		01
02	0511060363	REAR FRAME BODY		01



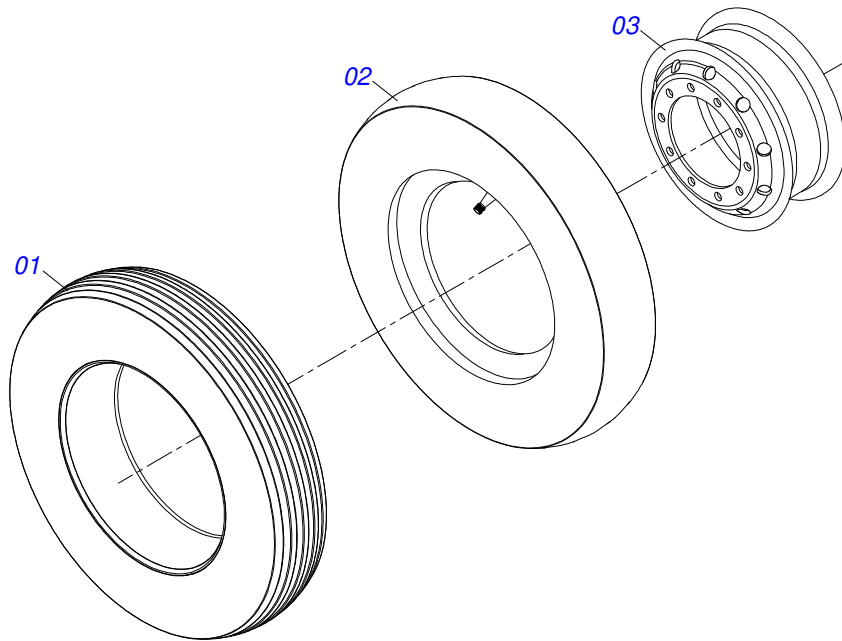
Item	Code	Description	See page	QT
01	0511060074	FRAME FOR MOLDBOARD		01
02	0503010953	BOLT 1 UNC X 2 C S G.5 ZN		02
03	0503010012	1" SPRING WASHER		01
04	0501011518	ARRUELA LISA 27 X 50 X 3		05
05	0521063769	FIXER GUIDES FRAME		01
06	0511019920	SLEEVE 32,70 X 38,80 X 25,40		01
07	0501010065	1" SPRING WASHER		01



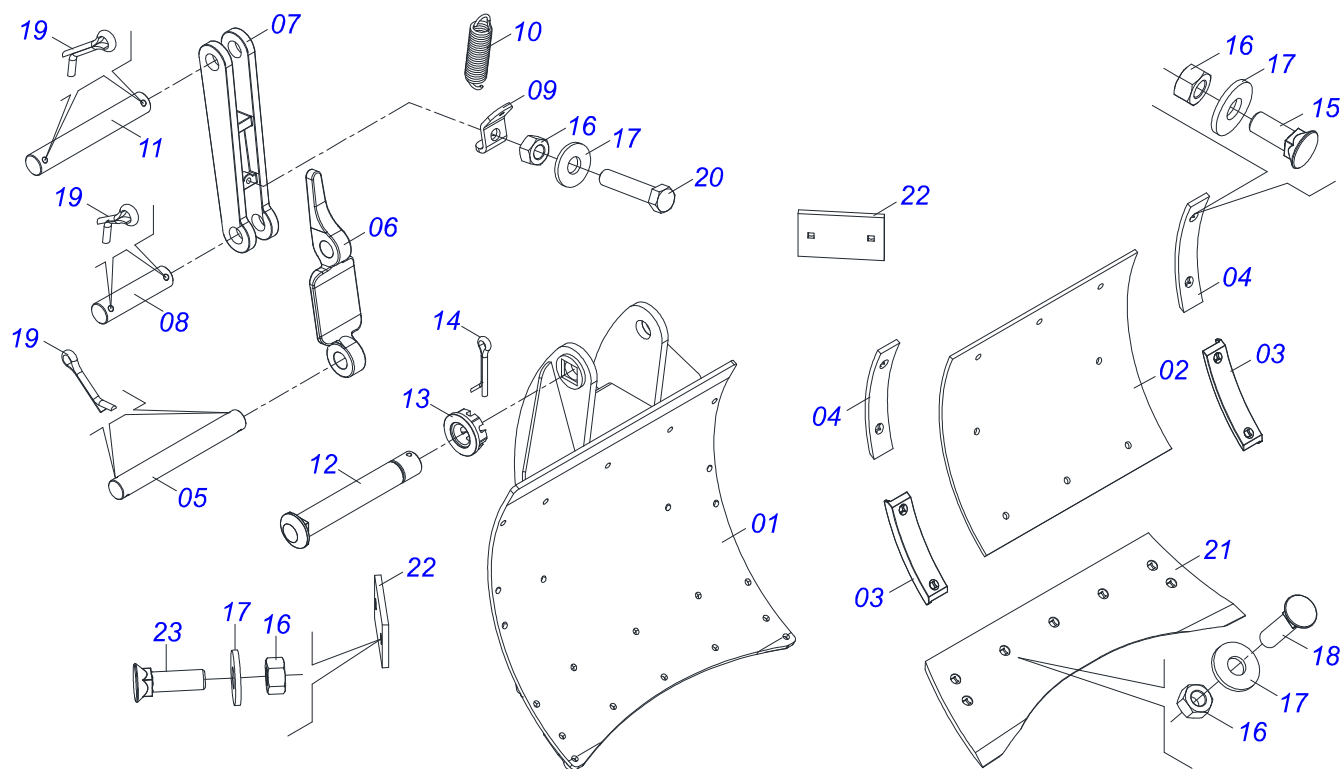
Item	Code	Description	See page	QT
01	0501110262	245 ADJUSTMENT NUT		01
02	0501064001	RIGHT JACK CRANK		01
03	0501064002	LEFT JACK CRANK		01
04	0541018672	COUNTERNUT		01
05	0541018673	COUNTERNUT		01
06	0503010002	1800 GREASE FITTING		04



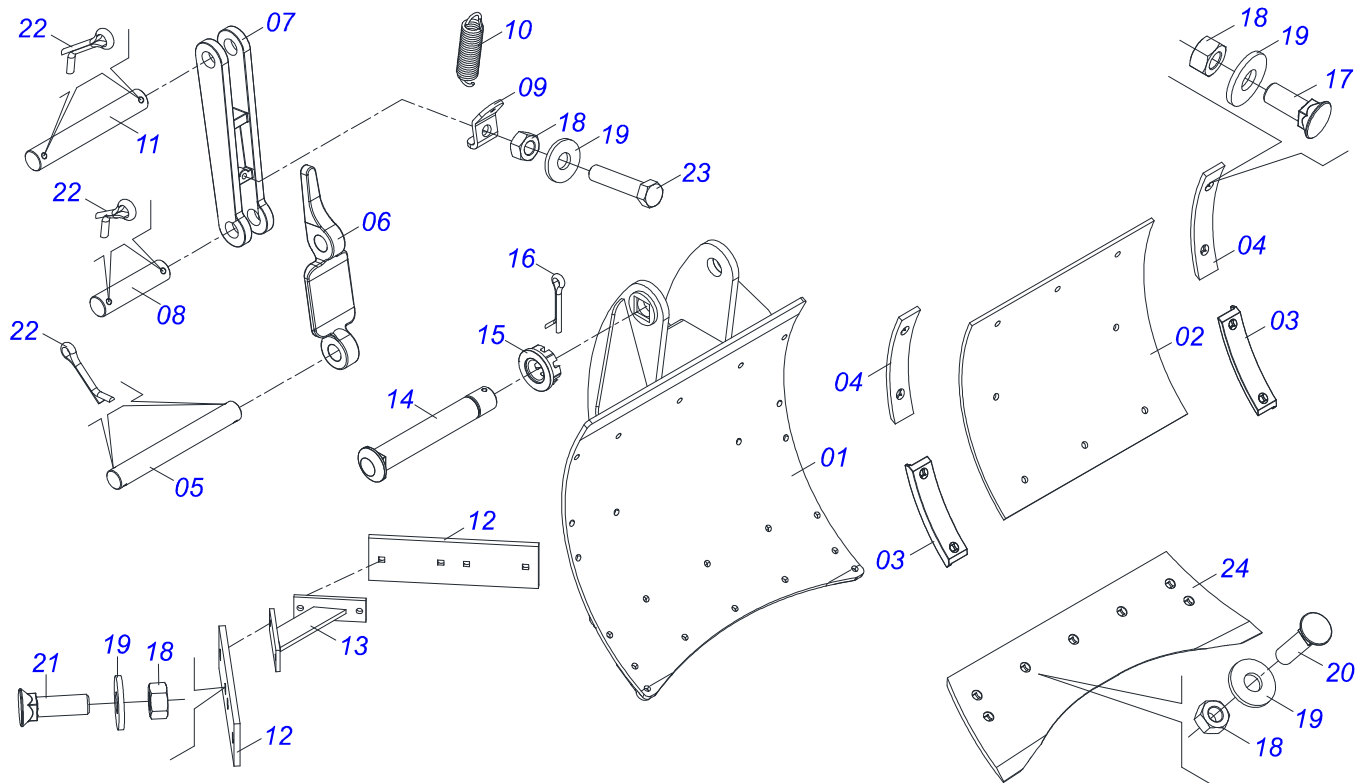
Item	Code	Description	See page	QT
01	0501110733	WHEEL HUB		01
01A	0502011120	TRANSP WHEEL HUB		01
01B	0501010127	9/16" X 1-7/8" LUG BOLT		06
01C	0503010035	9/16" CONIC NUT		06
02	0503010328	25590/25523 ROLLER BEARING		02
03	0503010804	00547-B SEAL		02
04	0521014068	CARRYING WHEEL AXLE		01
05	0503011052	1.1/4" X 0.77" CASTLE NUT		02
06	0511015949	LOCK NUT		01
07	0503010329	LOCK WASHER		01
08	0503010330	KM 9 LOCKNUT		01
09	0503010002	1800 GREASE FITTING		01



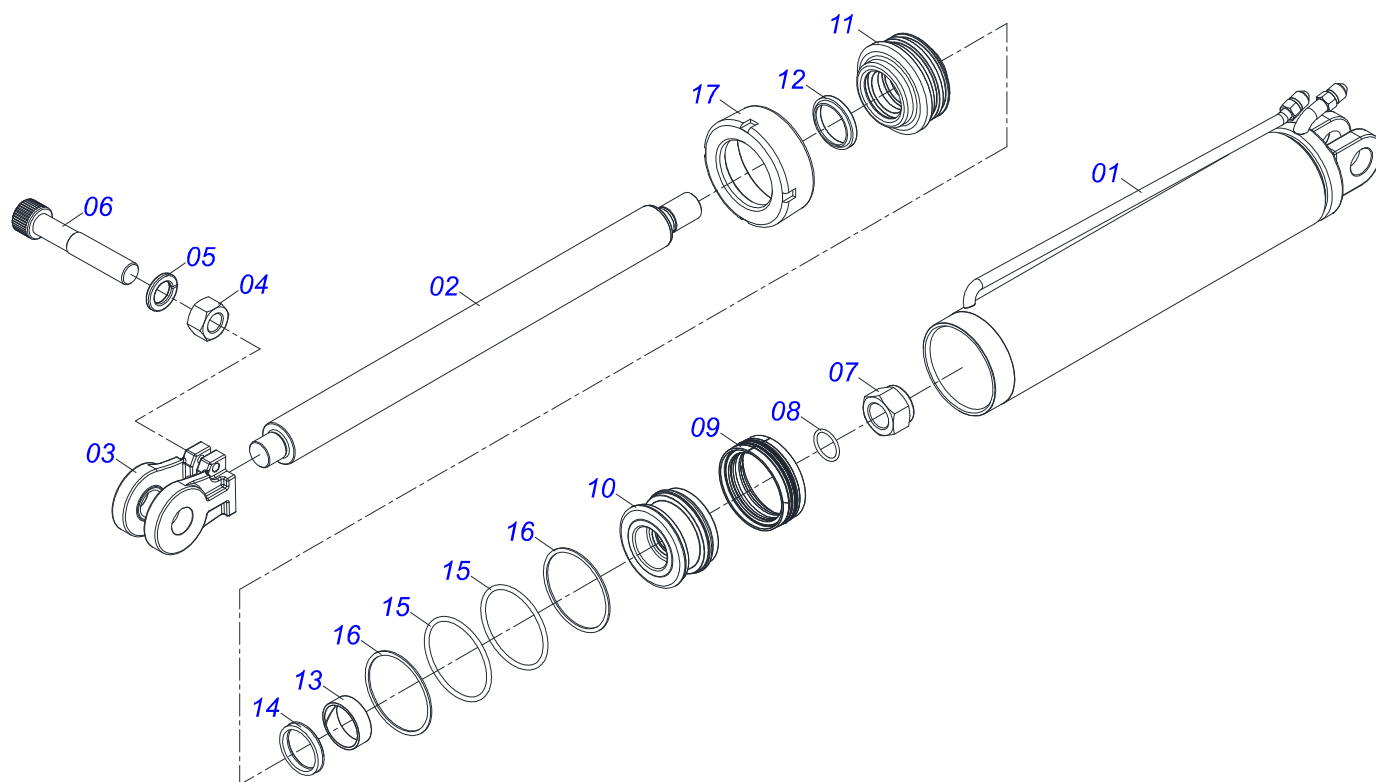
Item	Code	Description	See page	QT
01	0503010065	CANVAS TIRE		01
02	0503010068	6.00 X 16 INNER TIRE		01
03	0503010894	0.2"X0.6"X4.6"X6F0.6"X6" WHEEL		01



Item	Code	Description	See page	QT
01	0531066075	MOLDBOARD 590 X 694		01
02	0511011127	PLASTIC LINING		01
03	1902070060	LOWER FRIEZE		02
04	0511011126	UPPER BAR STOP MOLDBOARD		02
05	0521014037	1.1" X 8.4" COUPLING SHAFT		01
06	0521011631	AUTOMATIC RESET		01
07	0502011164	SUPPORT SPRING		01
08	0511015689	1.1" X 3.5" COUPLING SHAFT		01
09	0521014033	LOWER SPRING FIXER		01
10	0503031515	1.2" X 5.1" X 0.2" EXTENSION SPRING		01
11	0521014038	1.1" X 7.6" COUPLING SHAFT		01
12	0561018588	COUPLING SHAFT		01
13	0501011301	1.1/2" UNC 6FPP 2.5/16" NUT		01
14	0503010010	SPLIT PIN 1/4" X 2.1/2"		01
15	0503011426	7/16" X 1-1/4" BOLT		16
16	0503010244	7/16" NUT		28
17	0501012803	FLAT WASHER 12 X 30 X 3,00 ZN		28
18	0503010773	7/16" X 1-3/4" BOLT		07
19	0503010571	1/4" X 1.1/2" SPLIT PIN		06
20	0503012555	SCREW 7/16 UNC X 2 CS RT G.7 ZN		01
21	0622380026	SHEAR POINT		01
22	0511011175	SMALLER MOLDBOARD GUIDES		02
23	0503011199	7/16" X 1-1/2" BOLT		04

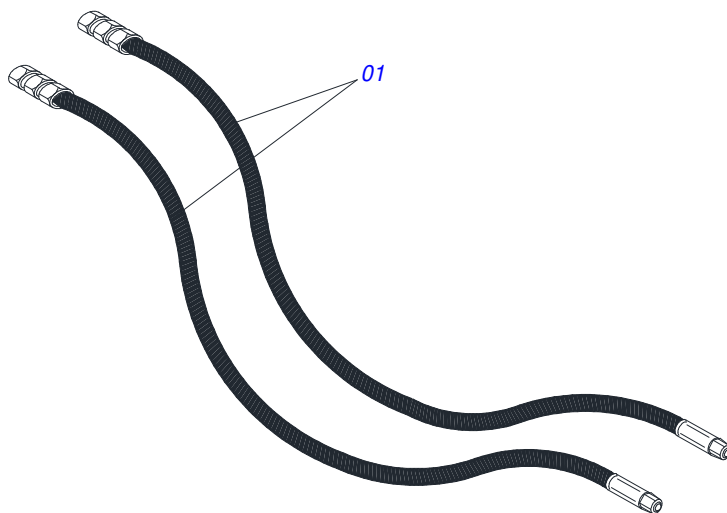


Item	Code	Description	See page	QT
01	0531066075	MOLDBOARD 590 X 694		01
02	0511011127	PLASTIC LINING		01
03	1902070060	LOWER FRIEZE		02
04	0511011126	UPPER BAR STOP MOLDBOARD		02
05	0521014037	1.1" X 8.4" COUPLING SHAFT		01
06	0521011631	AUTOMATIC RESET		01
07	0502011164	SUPPORT SPRING		01
08	0511015689	1.1" X 3.5" COUPLING SHAFT		01
09	0521014033	LOWER SPRING FIXER		01
10	0503031515	1.2" X 5.1" X 0.2" EXTENSION SPRING		01
11	0521014038	1.1" X 7.6" COUPLING SHAFT		01
12	0511011801	LARGER MOLDBOARD GUIDES		02
13	0501065737	REAR SUPPORT GUIDE		01
14	0561018588	COUPLING SHAFT		01
15	0501011301	1.1/2" UNC 6FPP 2.5/16" NUT		01
16	0503010010	SPLIT PIN 1/4" X 2.1/2"		01
17	0503011426	7/16" X 1-1/4" BOLT		16
18	0503010244	7/16" NUT		32
19	0501012803	FLAT WASHER 12 X 30 X 3,00 ZN		32
20	0503010773	7/16" X 1-3/4" BOLT		07
21	0503011199	7/16" X 1-1/2" BOLT		08
22	0503010571	1/4" X 1.1/2" SPLIT PIN		06
23	0503012555	SCREW 7/16 UNC X 2 CS RT G.7 ZN		01
24	0622380026	SHEAR POINT		01

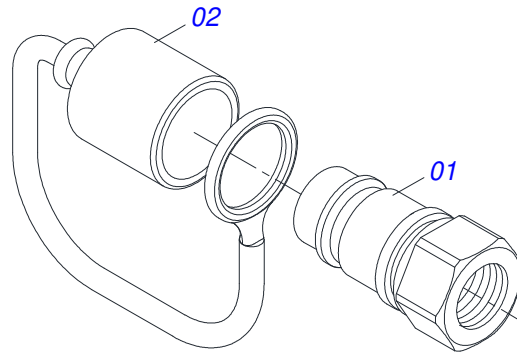


Item	Code	Description	See page	QT
01	0511060668	4" X 20" CYLINDER CASE		01
02	0501018530	2" X 26" TURNBUCKLE		01
03	0502040747	32.54 CLEVIS CLAMP		01
04	0503010026	3/8" NUT		01
05	0503011443	SPRING WASHER 3/8"		01
06	0503011094	BOLT 3/8" UNC X 2" C C S I 12.9		01
07	0503010817	SELF LOCKING NUT 1.1/4 UNF ALTA G.5 ZN		01
08	0503010345	2-218 N 3006-9B O'RING		01
09	0503015633	SELEMASTER SEALING		01
10	0502012842	50,80 X 101,60 PISTON		01
11	0581010678	50,80 X 101 RING SUPPORT		01
12	0503015636	SCRAPER SEAL		01
13	0503018025	RING GUIDE W2-2250-750		01
14	0503018026	GASKET 1870-2000-375 B POLYMAX		01
15	0503010338	2-342 N 3006-9B O'RING		02
16	0503011061	8-342 BACK-UP RING		02
17	0502012822	END CAP 4"		01
18	0511034305	HYDRAULIC CYLINDER REPAIR KIT (0511058402)		01

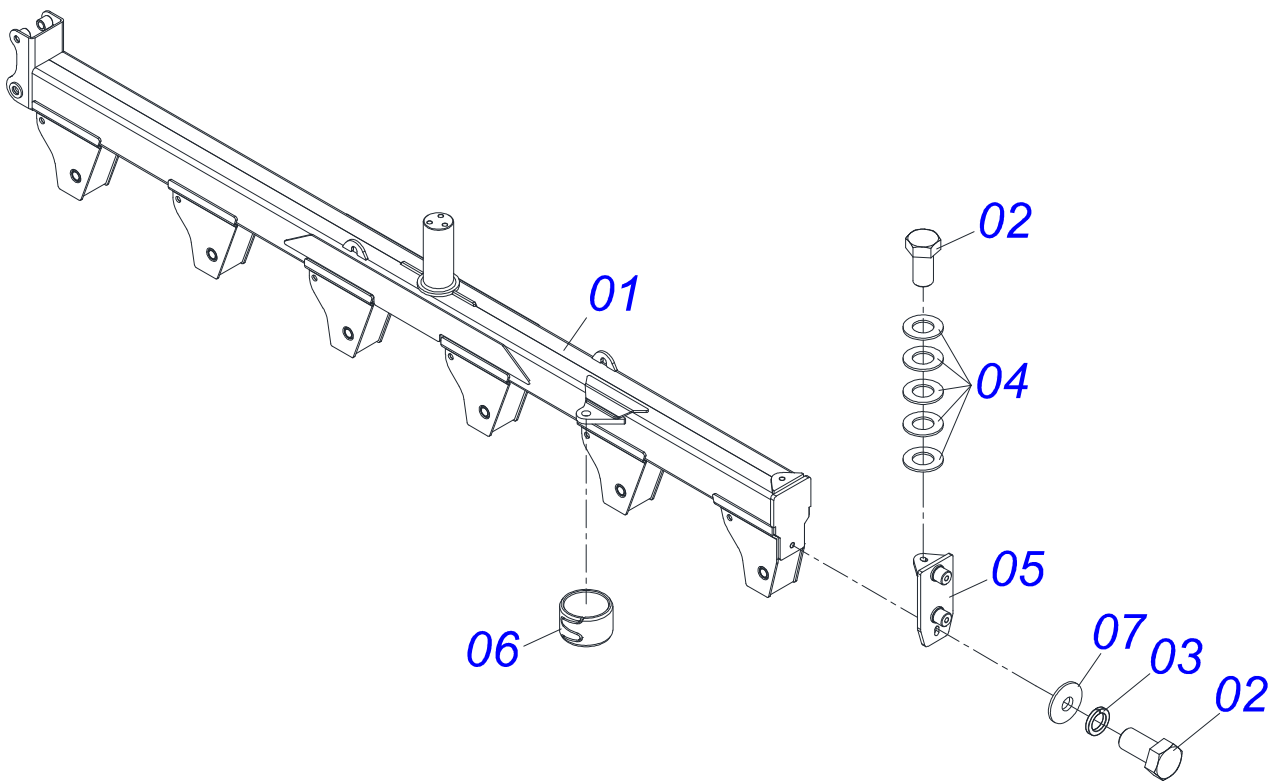




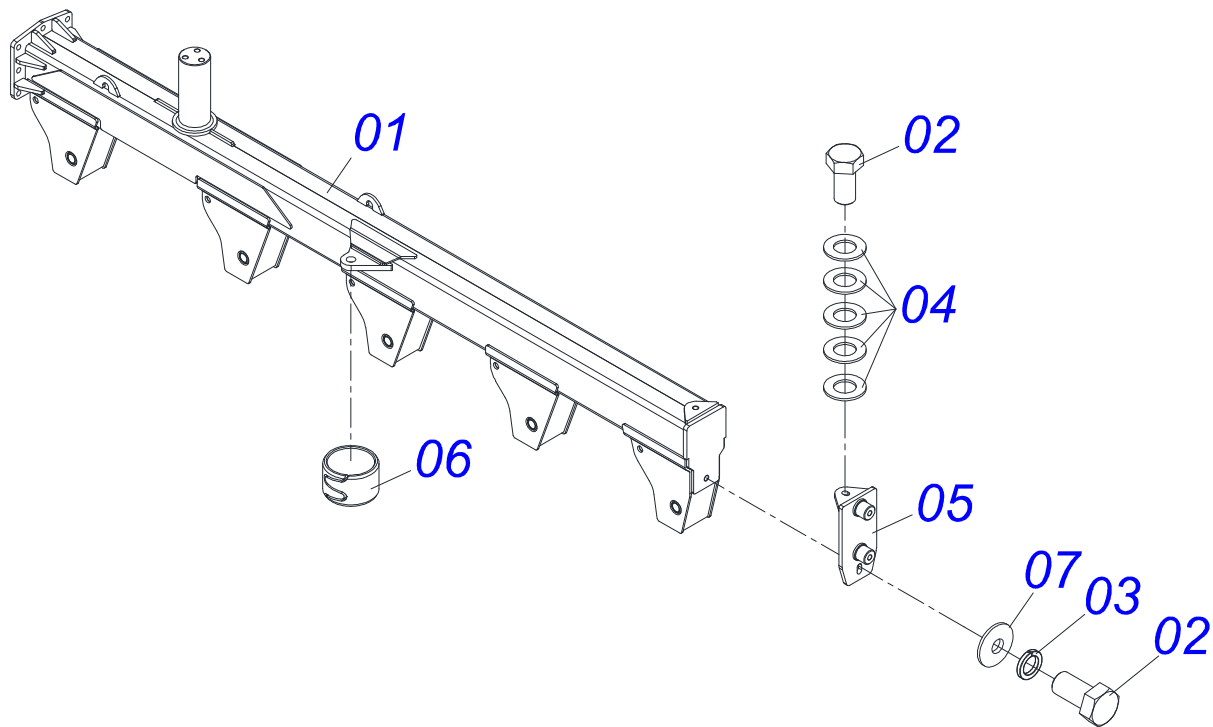
Item	Code	Description	See page	QT
01	0501080443	3/8" X 236.22" TR-TM HOSE		02



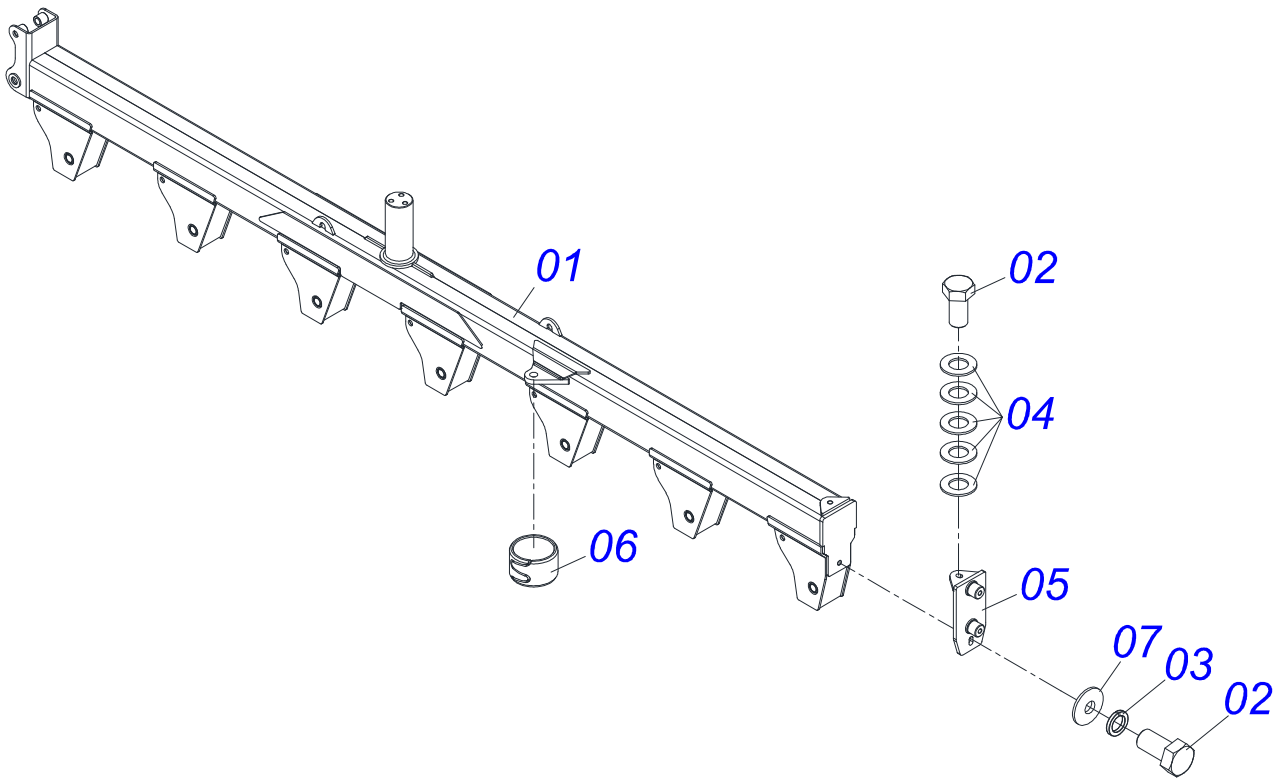
Item	Code	Description	See page	QT
01	0503011627	MALE QUICK COUPLER AGR 1/2 NPT		01
02	0503011882	MALE QUICK COUPLER CAP		01



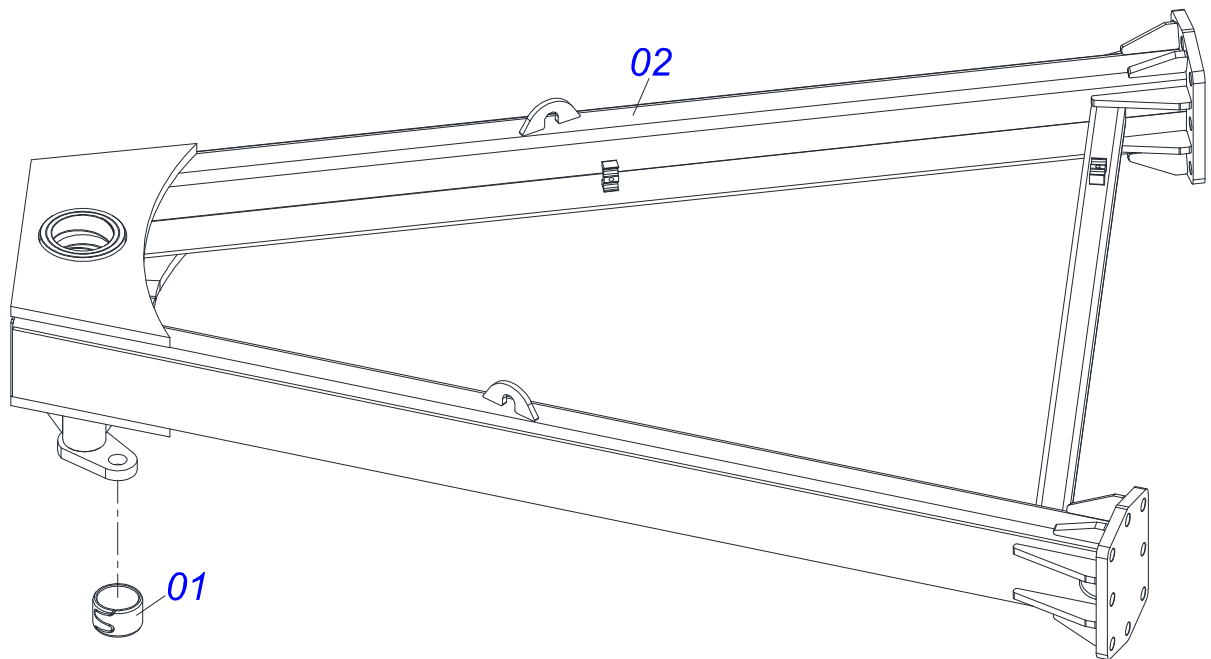
Item	Code	Description	See page	QT
01	0511060419	FRAME FOR MOLDBOARD		01
02	0503010953	BOLT 1 UNC X 2 C S G.5 ZN		02
03	0503010012	1" SPRING WASHER		01
04	0501011518	ARRUELA LISA 27 X 50 X 3		05
05	0521063769	FIXER GUIDES FRAME		01
06	0511019920	SLEEVE 32,70 X 38,80 X 25,40		01
07	0501010065	1" SPRING WASHER		01



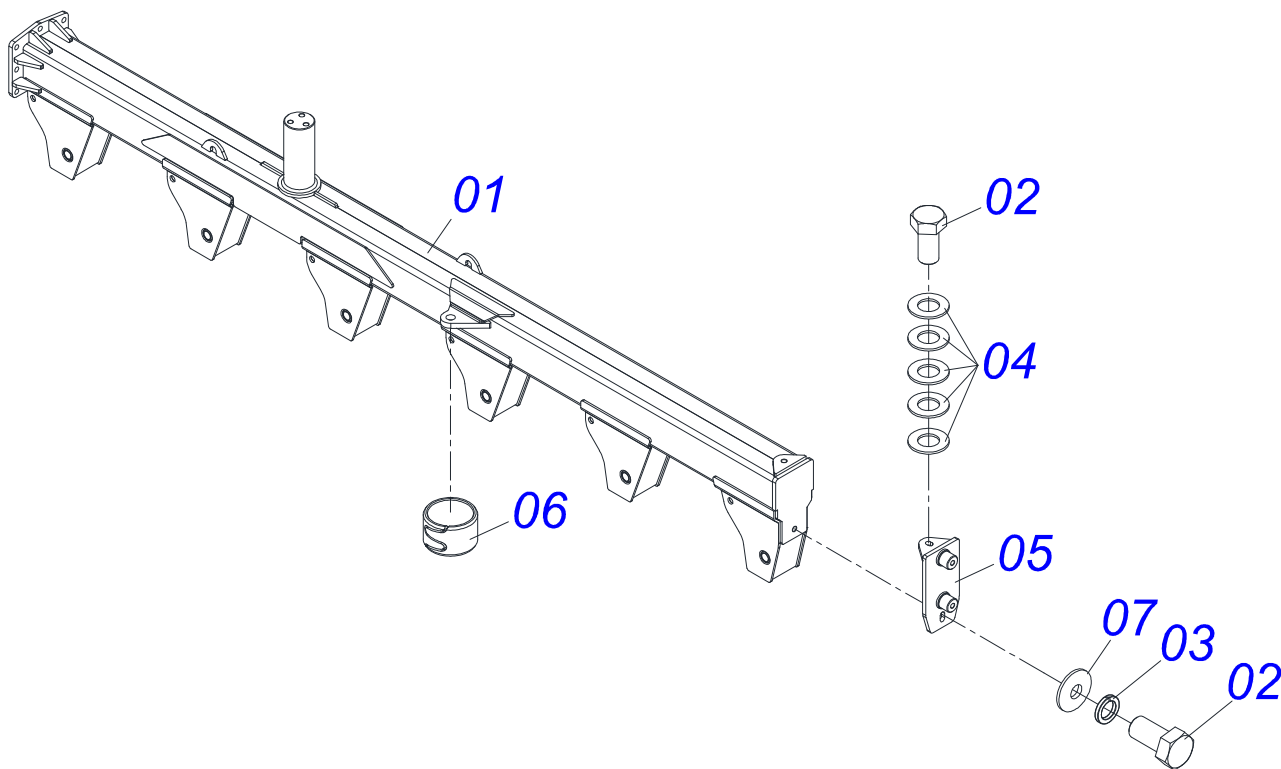
Item	Code	Description	See page	QT
01	0521063715	FRAME FOR MOLDBOARD		01
02	0503010953	BOLT 1 UNC X 2 C S G.5 ZN		02
03	0503010012	1" SPRING WASHER		01
04	0501011518	ARRUELA LISA 27 X 50 X 3		05
05	0521063769	FIXER GUIDES FRAME		01
06	0511019920	SLEEVE 32,70 X 38,80 X 25,40		01
07	0501010065	1" SPRING WASHER		01



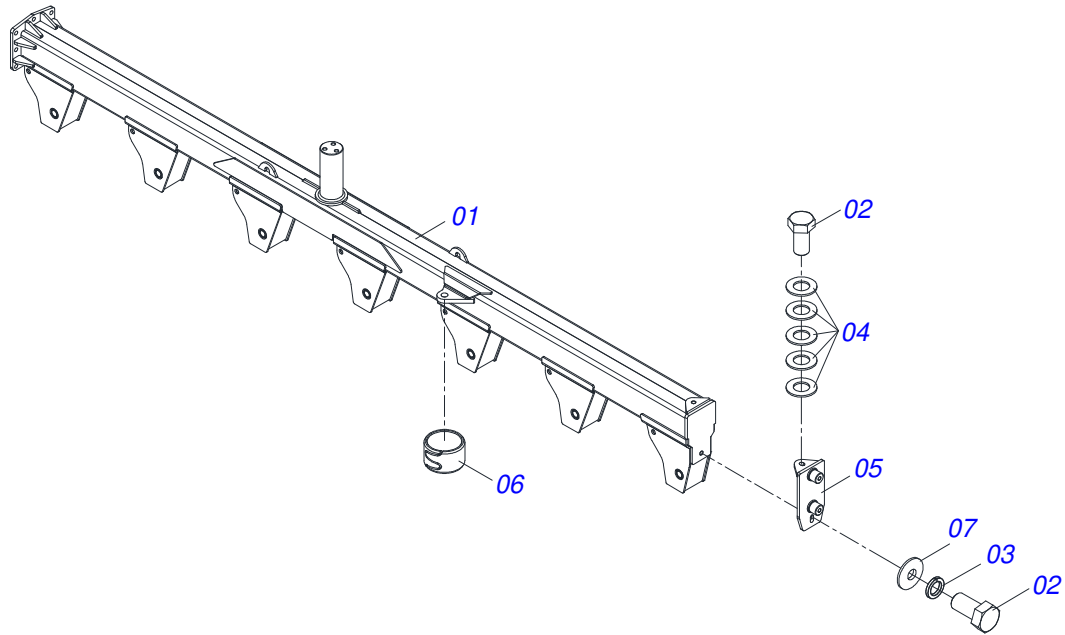
Item	Code	Description	See page	QT
01	0511060364	FRAME FOR MOLDBOARD		01
02	0503010953	BOLT 1 UNC X 2 C S G.5 ZN		02
03	0503010012	1" SPRING WASHER		01
04	0501011518	ARRUELA LISA 27 X 50 X 3		05
05	0521063769	FIXER GUIDES FRAME		01
06	0511019920	SLEEVE 32,70 X 38,80 X 25,40		01
07	0501010065	1" SPRING WASHER		01



Item	Code	Description	See page	QT
01	0511019920	SLEEVE 32,70 X 38,80 X 25,40		01
02	0511060363	REAR FRAME BODY		01

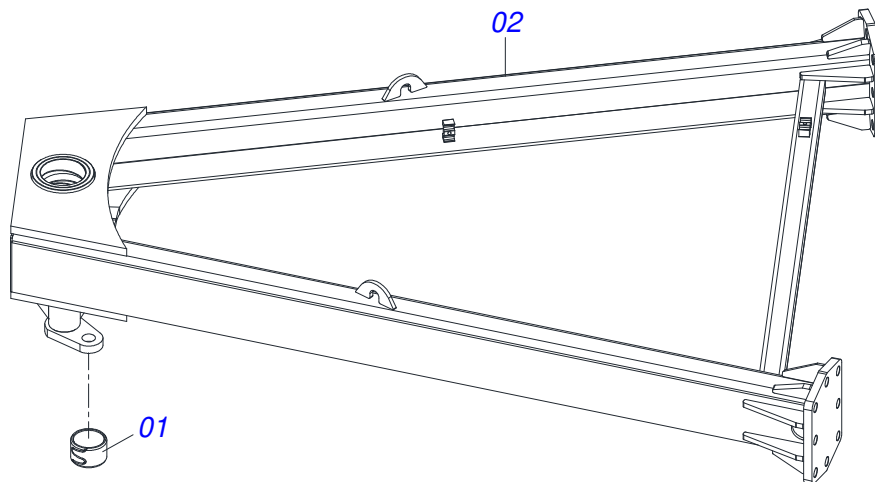


Item	Code	Description	See page	QT
01	0521060972	FRAME FOR MOLDBOARD		01
02	0503010953	BOLT 1 UNC X 2 C S G.5 ZN		02
03	0503010012	1" SPRING WASHER		01
04	0501011518	ARRUELA LISA 27 X 50 X 3		05
05	0521063769	FIXER GUIDES FRAME		01
06	0511019920	SLEEVE 32,70 X 38,80 X 25,40		01
07	0501010065	1" SPRING WASHER		01

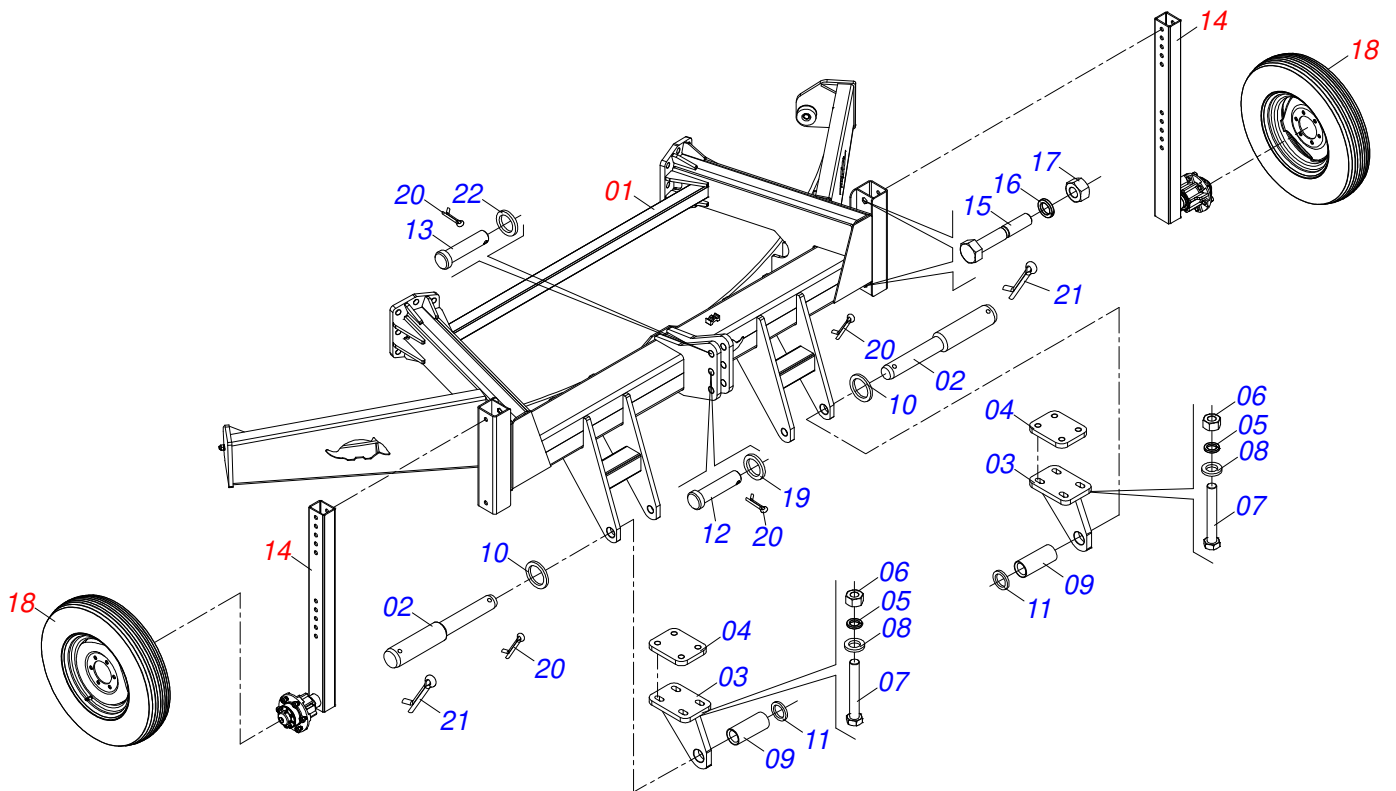


Item	Code	Description	See page	QT
01	0521066768	FRAME FOR MOLDBOARD		01
02	0503010953	BOLT 1 UNC X 2 C S G.5 ZN		02
03	0503010012	1" SPRING WASHER		01
04	0501011518	ARRUELA LISA 27 X 50 X 3		05
05	0521063769	FIXER GUIDES FRAME		01
06	0511019920	SLEEVE 32,70 X 38,80 X 25,40		01
07	0501010065	1" SPRING WASHER		01

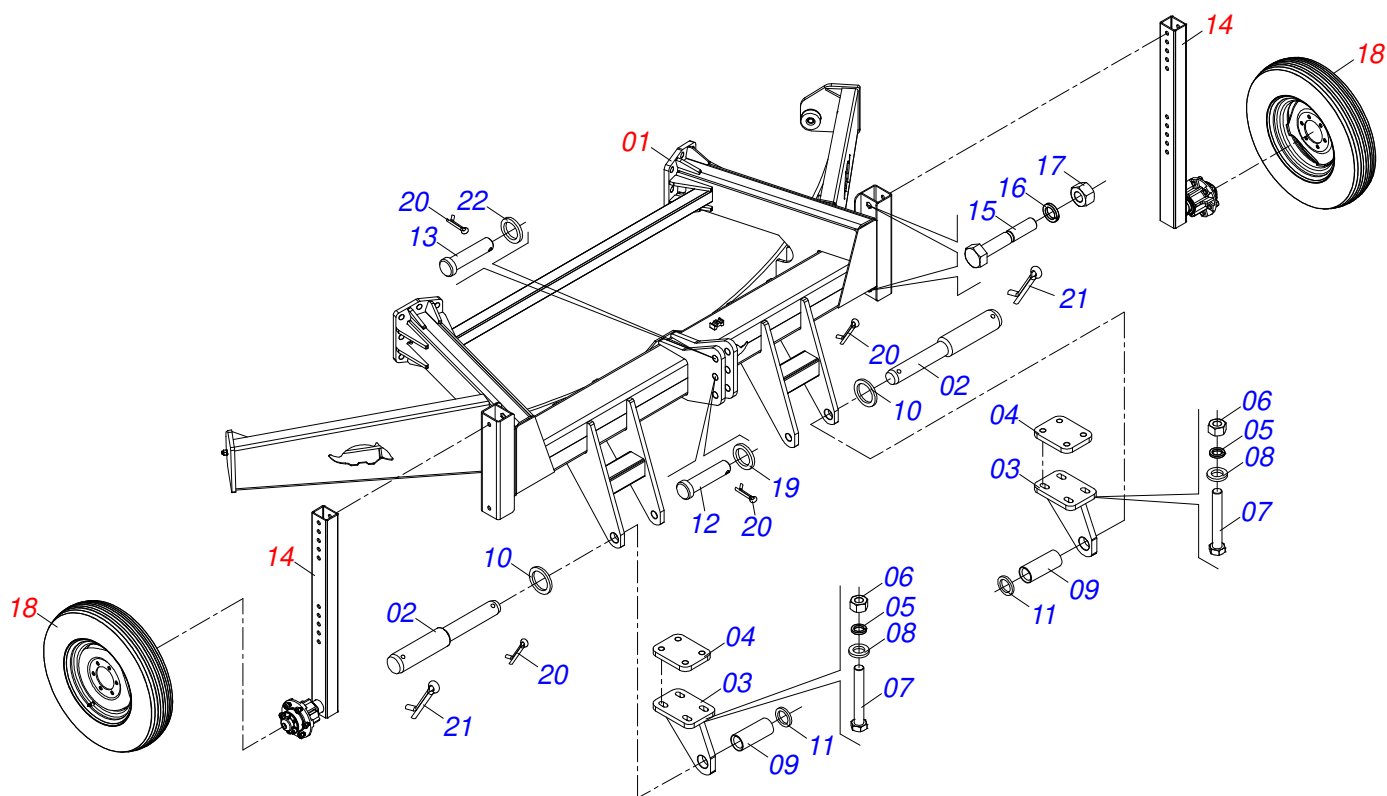




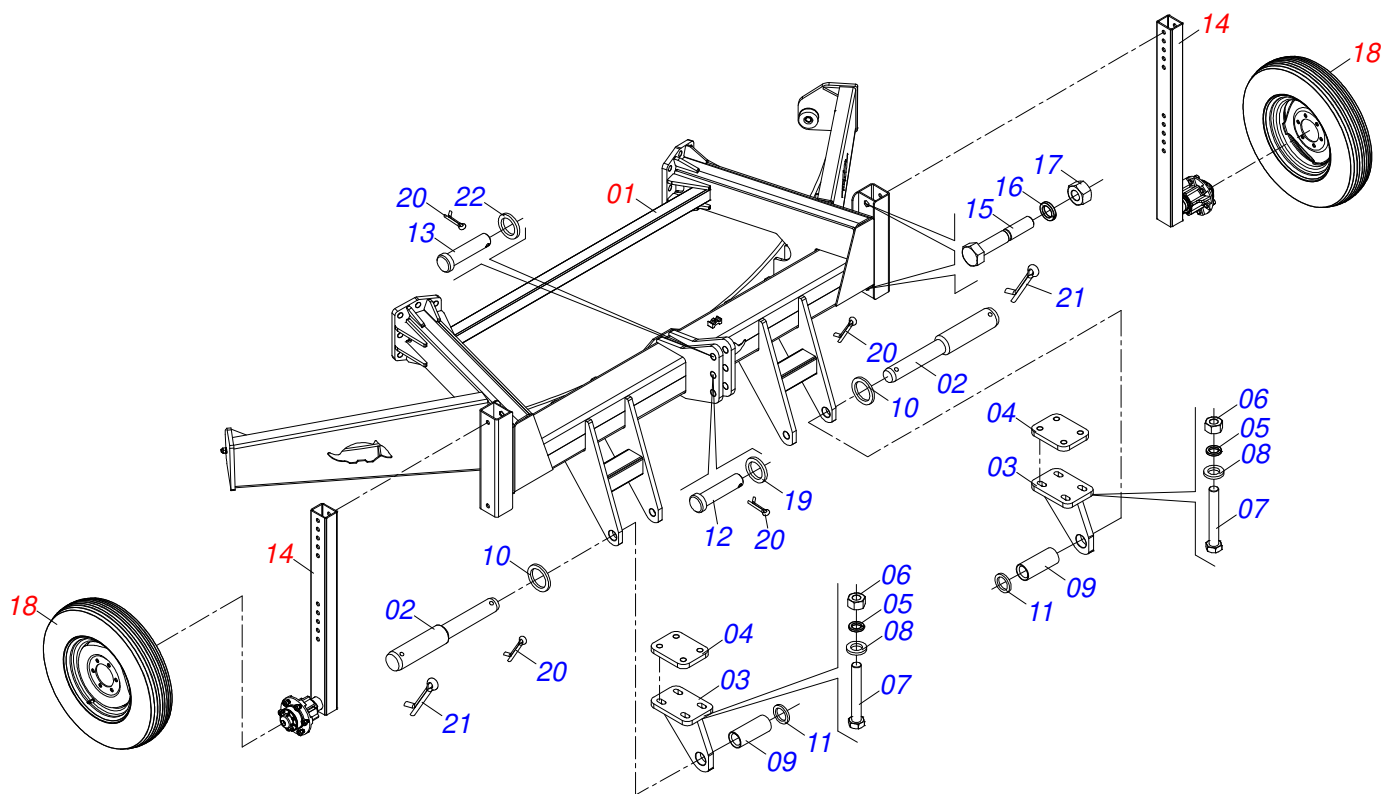
Item	Code	Description	See page	QT
01	0511019920	SLEEVE 32,70 X 38,80 X 25,40		01
02	0511060363	REAR FRAME BODY		01



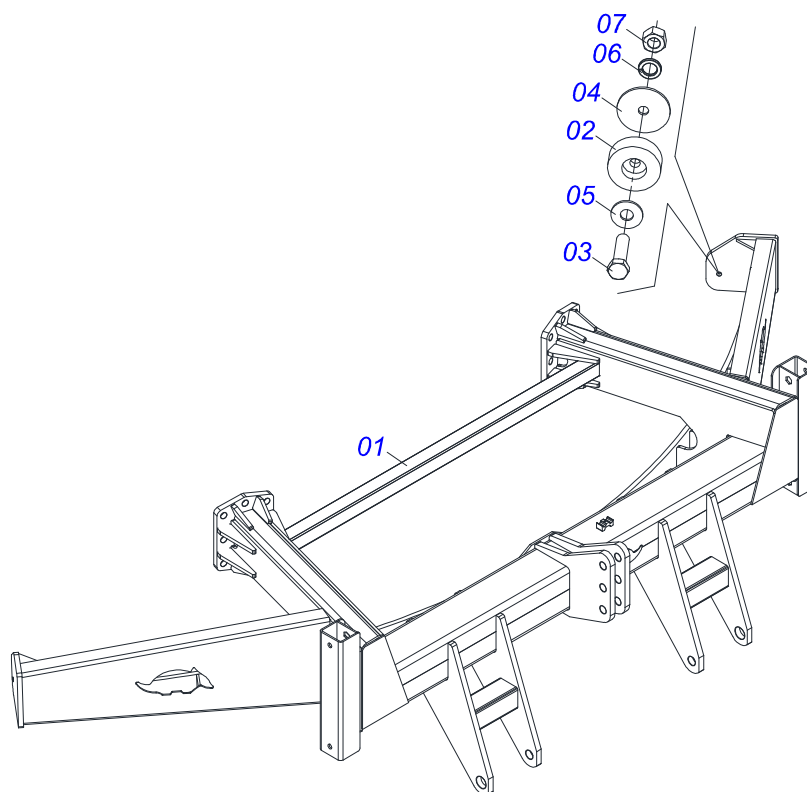
Item	Code	Description	See page	QT
01	0511052995	ASSY FRONT BODY CHASSIS WITH BEATER	32	01
02	0541012277	HITCH AXLE		02
03	0521065143	ADJUSTABLE FLANGE		02
04	0571016880	FIXER FLANGE ADJUSTABLE PLATE		02
05	0503010023	3/4" SPRING WASHER		08
06	0503010014	3/4" ZN G.5 (HEAVY) UNC HEX NUT		08
07	0503012729	3/4" X 6-3/4" BOLT		08
08	0511015255	FLAT WASHER		08
09	0541012279	SLEEVE 36,7 X 50 X 120 A		02
10	0511019776	FLAT WASHER		02
11	0501010679	FLAT WASHER		02
12	0541014018	UPPER HITCH AXLE		01
13	0591012502	TOP SHAFT HITCH		01
14	0501052240	DEPTH CONTROL ARM ASSY	33	02
15	0501010216	3/4 UNC X 4.1/2 C S G.5 ZN BOLT		04
16	0503010023	3/4" SPRING WASHER		04
17	0503010014	3/4" ZN G.5 (HEAVY) UNC HEX NUT		04
18	0503060094	WHEEL AND TIRE ASSY	16	02
19	0501017779	FLAT WASHER 32 X 60 X 4,75		01
20	0503010534	3/8" X 2.1/2" SPLIT PIN		04
21	0503010073	3/8" X 3.1/2" SPLIT PIN		02
22	0591012501	FLAT WASHER 45,50 X 80 X 6,30		01



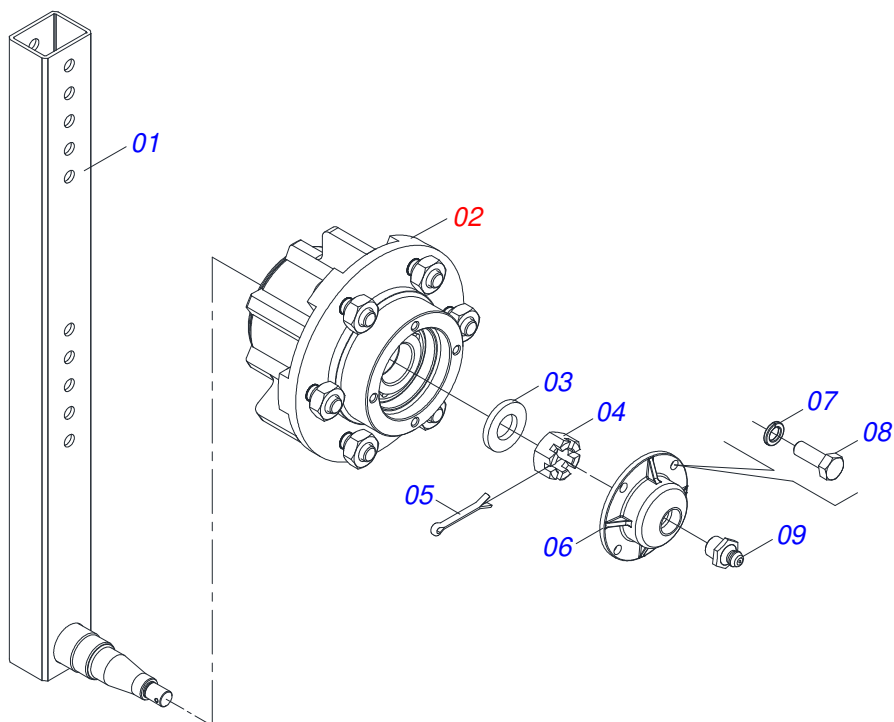
Item	Code	Description	See page	QT
01	0511052995	ASSY FRONT BODY CHASSIS WITH BEATER	32	01
02	0541012277	HITCH AXLE		02
03	0521065143	ADJUSTABLE FLANGE		02
04	0571016880	FIXER FLANGE ADJUSTABLE PLATE		02
05	0503010023	3/4" SPRING WASHER		08
06	0503010014	3/4" ZN G.5 (HEAVY) UNC HEX NUT		08
07	0503012729	3/4" X 6-3/4" BOLT		08
08	0511015255	FLAT WASHER		08
09	0541012279	SLEEVE 36,7 X 50 X 120 A		02
10	0511019776	FLAT WASHER		02
11	0501010679	FLAT WASHER		02
12	0541014018	UPPER HITCH AXLE		01
13	0591012502	TOP SHAFT HITCH		01
14	0501052240	DEPTH CONTROL ARM ASSY	33	02
15	0501010216	3/4 UNC X 4.1/2 C S G.5 ZN BOLT		04
16	0503010023	3/4" SPRING WASHER		04
17	0503010014	3/4" ZN G.5 (HEAVY) UNC HEX NUT		04
18	0503060094	WHEEL AND TIRE ASSY	16	02
19	0501017779	FLAT WASHER 32 X 60 X 4,75		01
20	0503010534	3/8" X 2.1/2" SPLIT PIN		04
21	0503010073	3/8" X 3.1/2" SPLIT PIN		02
22	0591012501	FLAT WASHER 45,50 X 80 X 6,30		01



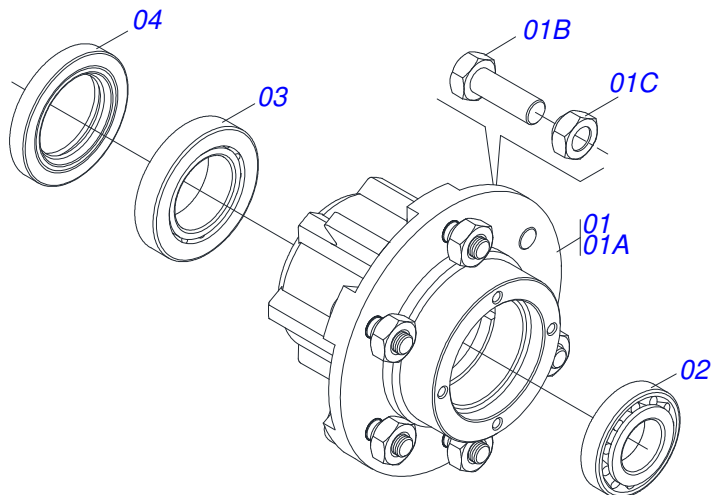
Item	Code	Description	See page	QT
01	0511052995	ASSY FRONT BODY CHASSIS WITH BEATER	32	01
02	0541012277	HITCH AXLE		02
03	0521065143	ADJUSTABLE FLANGE		02
04	0571016880	FIXER FLANGE ADJUSTABLE PLATE		02
05	0503010023	3/4" SPRING WASHER		08
06	0503010014	3/4" ZN G.5 (HEAVY) UNC HEX NUT		08
07	0503012729	3/4" X 6-3/4" BOLT		08
08	0511015255	FLAT WASHER		08
09	0541012279	SLEEVE 36,7 X 50 X 120 A		02
10	0511019776	FLAT WASHER		02
11	0501010679	FLAT WASHER		02
12	0541014018	UPPER HITCH AXLE		01
13	0591012502	TOP SHAFT HITCH		01
14	0501052240	DEPTH CONTROL ARM ASSY	33	02
15	0501010216	3/4 UNC X 4.1/2 C S G.5 ZN BOLT		04
16	0503010023	3/4" SPRING WASHER		04
17	0503010014	3/4" ZN G.5 (HEAVY) UNC HEX NUT		04
18	0503060181	WHEEL AND TIRE	35	02
19	0501017779	FLAT WASHER 32 X 60 X 4,75		01
20	0503010534	3/8" X 2.1/2" SPLIT PIN		04
21	0503010073	3/8" X 3.1/2" SPLIT PIN		02
22	0591012501	FLAT WASHER 45,50 X 80 X 6,30		01



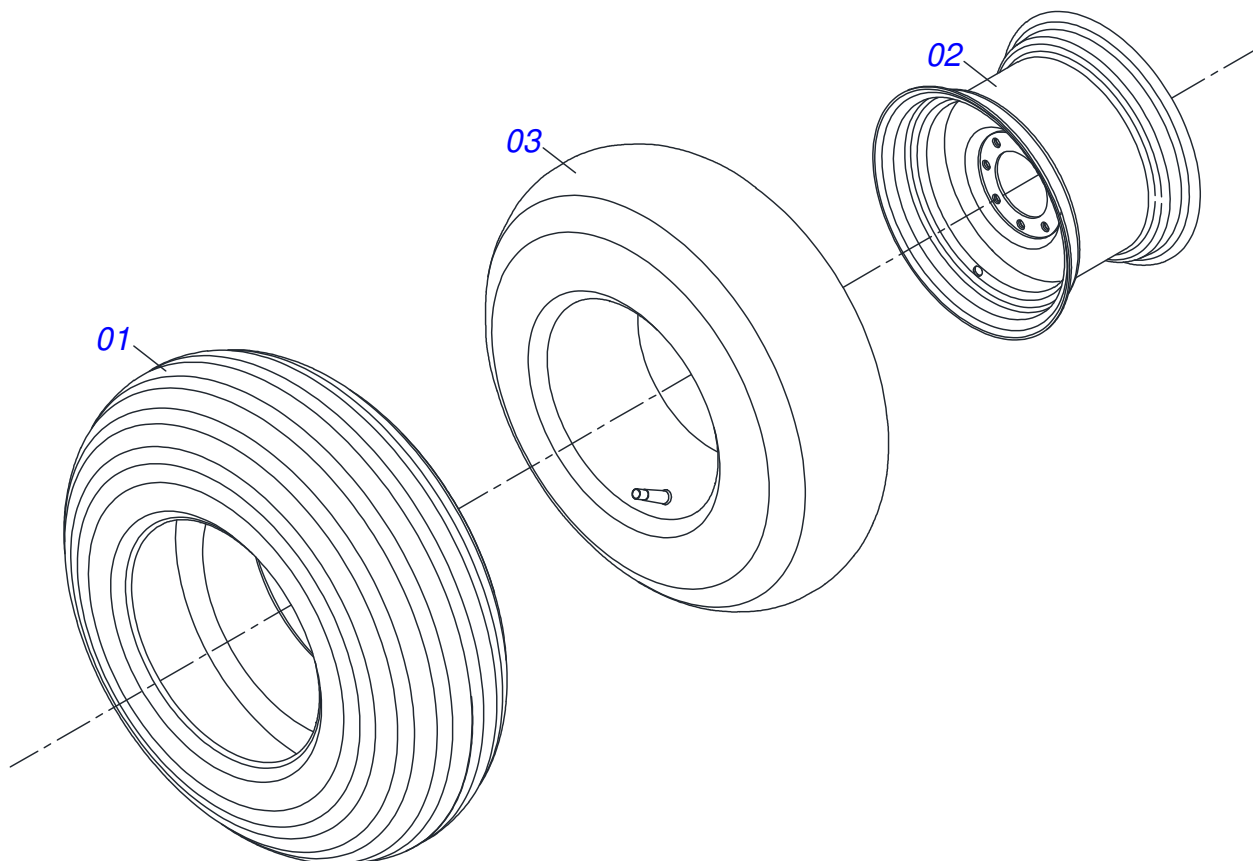
Item	Code	Description	See page	QT
01	0511060362	FRONT FRAME BODY		01
02	0521011481	FRAME BATTERY		02
03	0503010233	5/8" X 2-1/2" BOLT		02
04	0571013284	17.5 X 90 X 4.75 FLAT WASHER		02
05	0571010265	16.5 X 40 X 3 FLAT WASHER		02
06	0503010027	5/8 SPRING WASHER		02
07	0503010013	5/8" UNC G.5 ZN HEX NUT		02



Item	Code	Description	See page	QT
01	0511060366	DEPTH CONTROL ARM		01
02	0501051142	CARRYING WHEEL HUB	34	01
03	0501016545	FLAT WASHER		01
04	0503030009	1" CASTLE NUT		01
05	0503010018	5/32" X 1-1/2" SPLIT PIN		01
06	0502020591	PROTECCION COVER		01
07	0503011444	SPRING WASHER 5/16"		04
08	0503010358	5/16" X 5/8" BOLT		04
09	0503010002	1800 GREASE FITTING		01

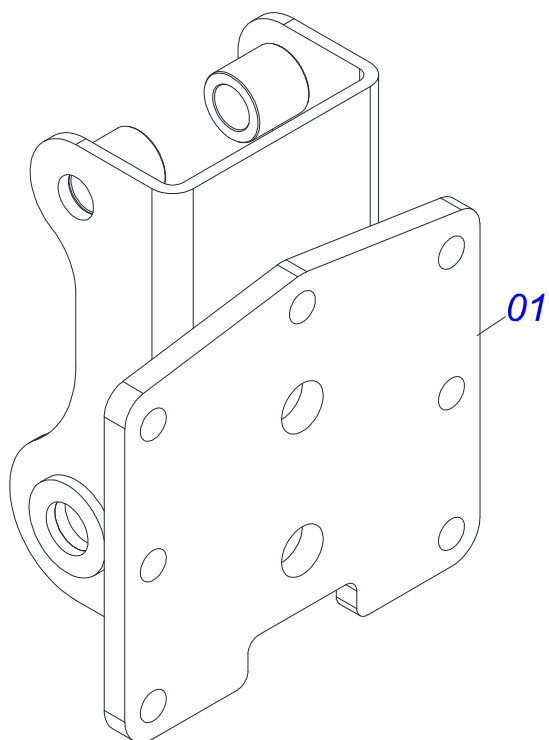


Item	Code	Description	See page	QT
01	0501110728	WHEEL HUB		01
01A	0502011121	CARRYING WHEEL HUB		01
01B	0501010127	9/16" X 1-7/8" LUG BOLT		06
01C	0503010035	9/16" CONIC NUT		06
02	0503010037	30207 ROLLER BEARING		01
03	0503010006	32210 ROLLER BEARING		01
04	0503012928	SEAL		01



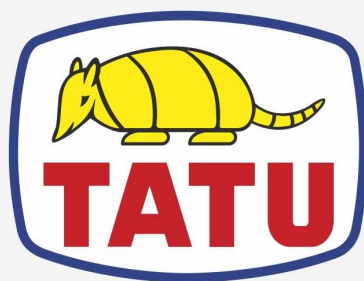
Item	Code	Description	See page	QT
01	0503010858	CANVAS TIRE		01
02	0503011468	WEEL		01
03	0503010860	AIR CHAMBER 11L 15		01





Item	Code	Description	See page	QT
01	0521060973	SUPPORT FIXER ARM REAR CARRYING-WHEELS		01





**MARCHESAN**

**Technical Publications | Elaboration and Revision**

LEONARDO JOSÉ DA SILVA SOUZA

[www.marchesan.com.br](http://www.marchesan.com.br)

