

PD - FRONT LOADER

PD 600

Code: 0501093601

Series: S-0119

Revision: 00

Date Revision: JULHO/2023

PARTS CATALOGUE



MARCHESAN



PRODUCTS

Code	Description
0106020476	PD 600 S-0119
0106020477	PD 600 S-0119
0106030459	PD 600 S-0119
0106030460	PD 600 S-0119

ATTENTION: IMPORTANT

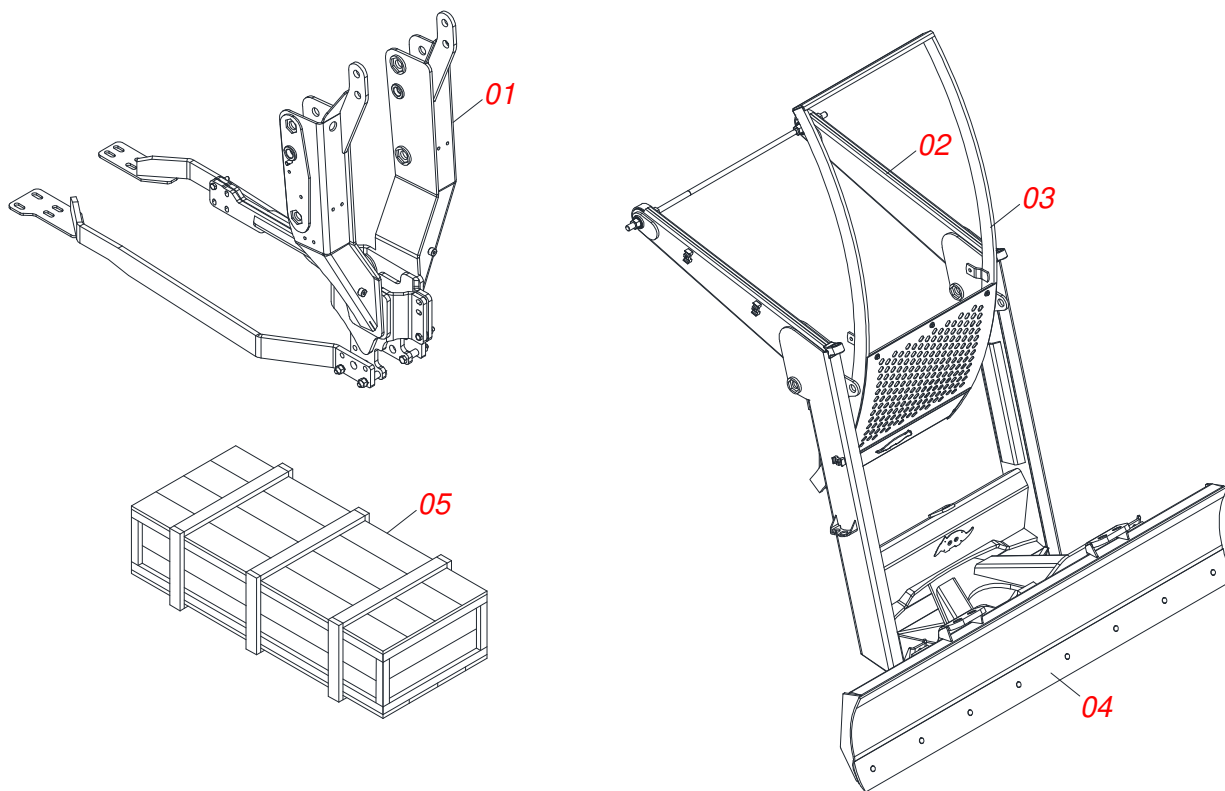
Marchesan S.A. reserves the right to improve and/or modify the technical features of its products, without obligation to do the same with those products already sold and without prior knowledge of the dealer or the customer. The photos are only illustrative.



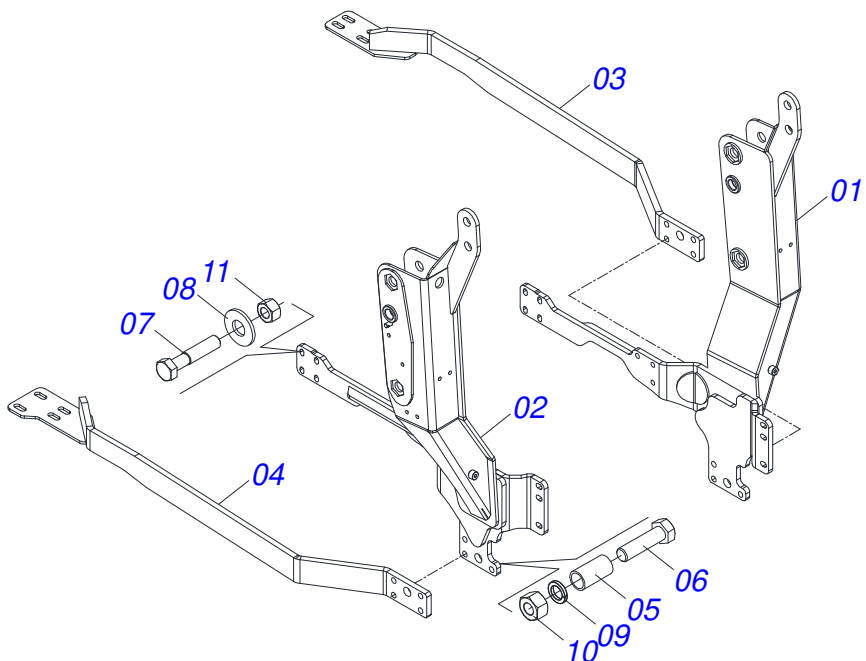
MARCHESAN

INDEX

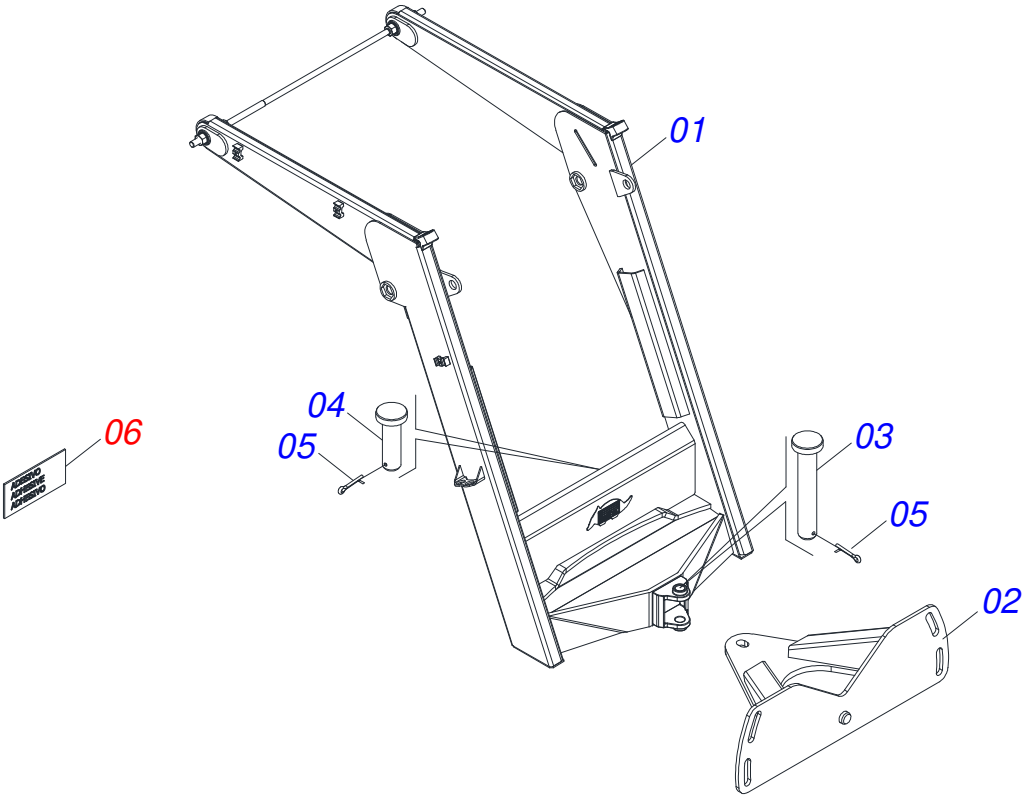
0909091144	PD 600	1
0531044038	FRAME SET WITH REAR BAR	2
0521049957	MOBILE SUPPORT ASSY	3
0909096780	LABEL SET	4
0501048330	MOBILE SUPPORT GUIDE ASSY	5
0511047750	2400 SCRAPER ASSY WITH STABILIZER BRACKET	6
0501047708	2400 BLADE SUPPORT	7
0909091585	LABEL SET	8
0521025552	BOX WITH COMPONENTS	9
0501041427	1.1/4" NC X 1540 ASSY ROD	10
0511047399	1.1/4" NC X 40" ASSY ROD	11
0521047554	ROD 1.1 / 4 NC 760 X 4 ASSY WITH NUT	12
0909096386	HYDRAULIC CIRCUIT	13
0521050157	44,45 X 85,72 X 1049 X 360 - RIGHT HYDRAULIC CYLINDER	14
0521050158	44,45 X 85,72 X 1049 X 360 - LEFT HYDRAULIC CYLINDER	15
0511057771	R.7/8UNF - SAFETY VALVE	16
0511033535	PACKED PARTS	17
0501053835	FEMALE QUICK COUPLER	18
0501053834	MALE QUICK COUPLER	19
0521025553	BOX WITH COMPONENTS	20
0521047926	1/2" COMMAND	21
0531044005	SET SUPPORT JOY STICK	22
0909096385	HYDRAULIC CIRCUIT	23
0511033538	PACKED PARTS	24



Item	Code	Description	See page	QT
01	0531044038	FRAME SET WITH REAR BAR	2	01
02	0521049957	MOBILE SUPPORT ASSY	3	01
03	0501048330	MOBILE SUPPORT GUIDE ASSY	5	01
04	0511047750	2400 SCRAPER ASSY WITH STABILIZER BRACKET	6	01
05	0521025552	BOX WITH COMPONENTS	9	01
05.	0521025553	BOX WITH COMPONENTS	20	01



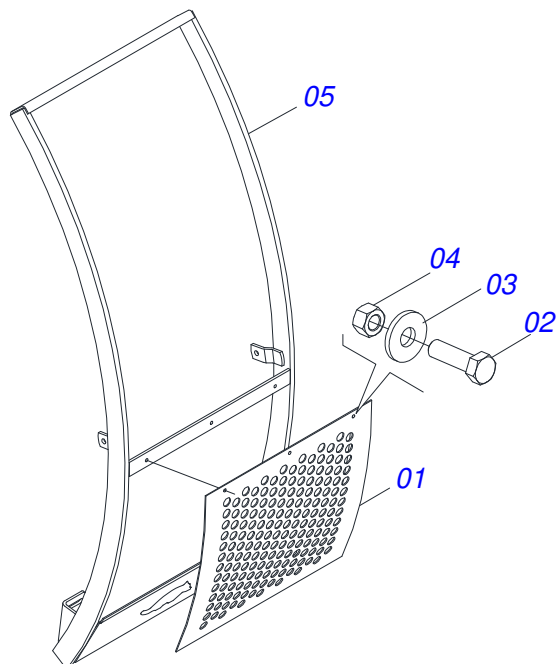
Item	Code	Description	See page	QT
01	0531064776	RIGHT FRAME		01
02	0531064777	LEFT FRAME		01
03	0531064883	RIGHT BAR		01
04	0531064884	LEFT BAR		01
05	0581015170	SLEEVE		04
06	0503011084	3/4" X 5" BOLT		04
07	0501011541	5/8" X 3" BOLT		02
08	0501010322	FLAT WASHER		02
09	0503010023	3/4" SPRING WASHER		04
10	0503010014	3/4" HEX NUT		04
11	0503010013	5/8 NUT		02



Item	Code	Description	See page	QT
01	0531060773	MOBILE SUPPORT		01
02	0501062637	5/8" REGULATOR SUPPORT		01
03	0521010618	1.4" X 8.6" COUPLING SHAFT		01
04	0521010612	1.4" X 3.5" COUPLING SHAFT		01
05	0503010010	1/4" X 2.1/2" SPLIT PIN		02
06	0909096780	LABEL SET	4	01

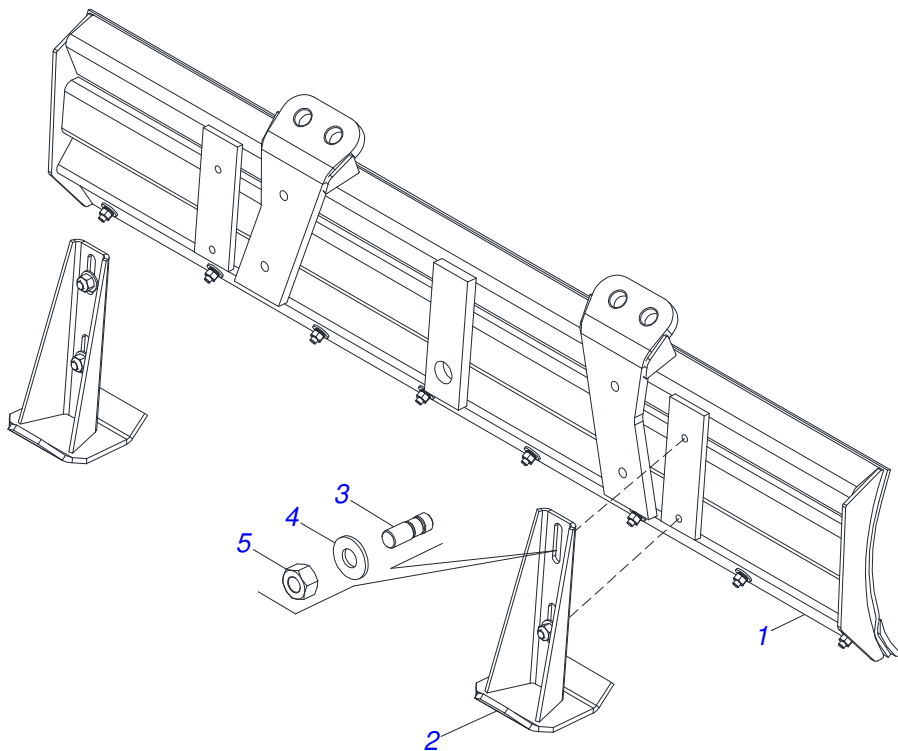


Item	Code	Description	See page	QT
01	0503064055	ADHESIVE LABEL SET		01
02	0503034078	LIFTING POINTS DECAL		01
03	0503031087	ADHESIVE LABEL		01
04	0503034003	SERIAL NUMBER TAG 61 X 118		01
05	0503010001	3.2 X 5.5 RIVET		04
06	0503036238	ADHESIVE LABEL SAFETY LOCKING HYDRAULIC CYLINDERS		01
07	0503036239	ADHESIVE LABEL ATTENTION FLUIDS WITH PRESSURE		01
08	0503031827	LUBRICATE AND RETIGHTEN DAILY DECAL		01
09	0503031428	READ MANUAL DECAL		01
10	0503036241	ADHESIVE LABEL SAFETY CAUTION SHOCK HAZARD		01

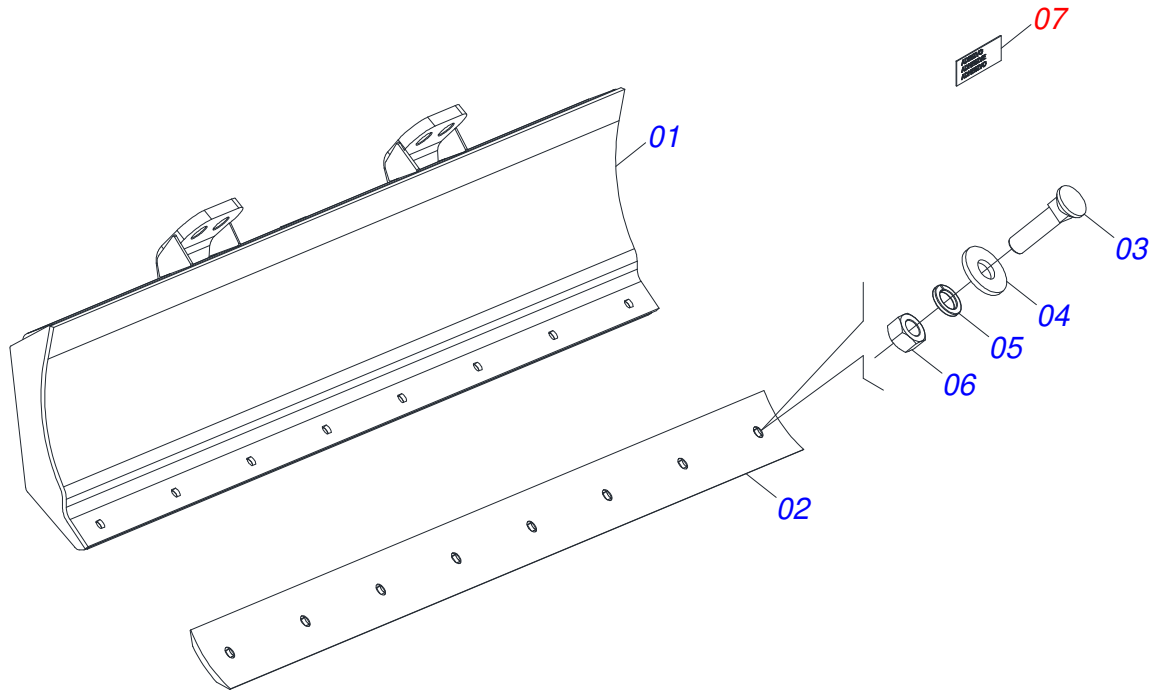


Item	Code	Description	See page	QT
01	0501014686	FRONT PROTECTION		01
02	0503010751	C3/8" X 1.1/4" HEX BOLT G.5		03
03	0501010984	10,50 X 27 X 3,00 FLAT WASHER		03
04	0503010026	3/8" NUT		03
05	0521064583	MOBILE SUPPORT GUIDE		01

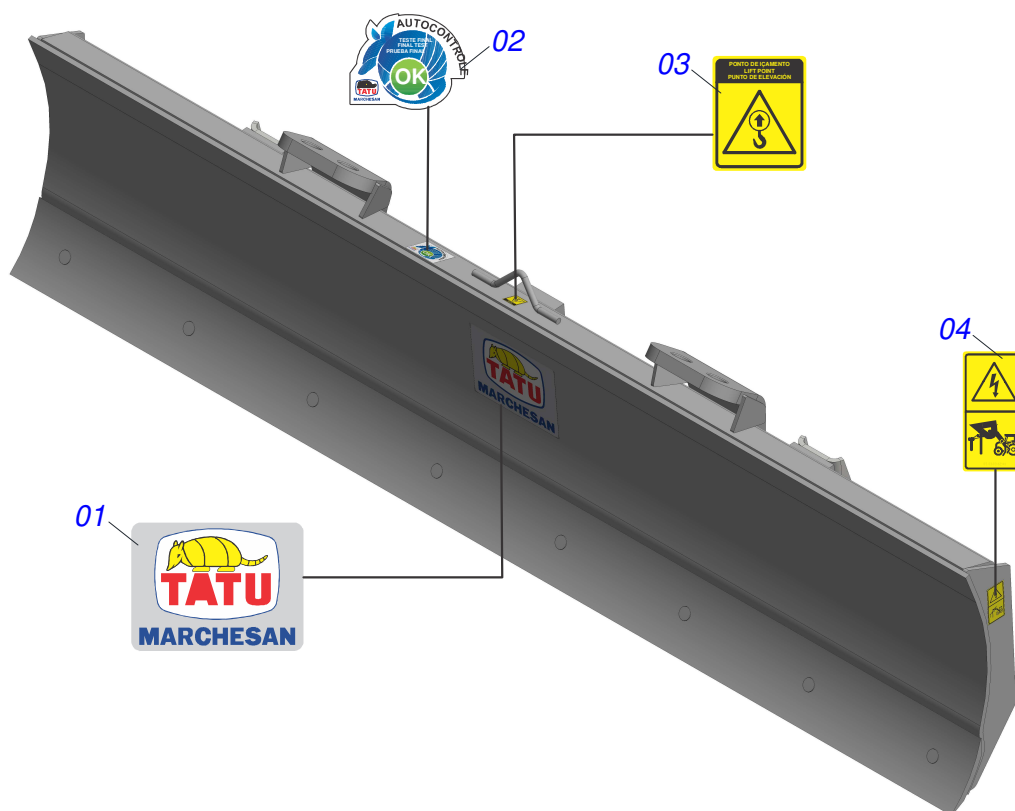
2400 SCRAPER ASSY WITH STABILIZER BRACKET



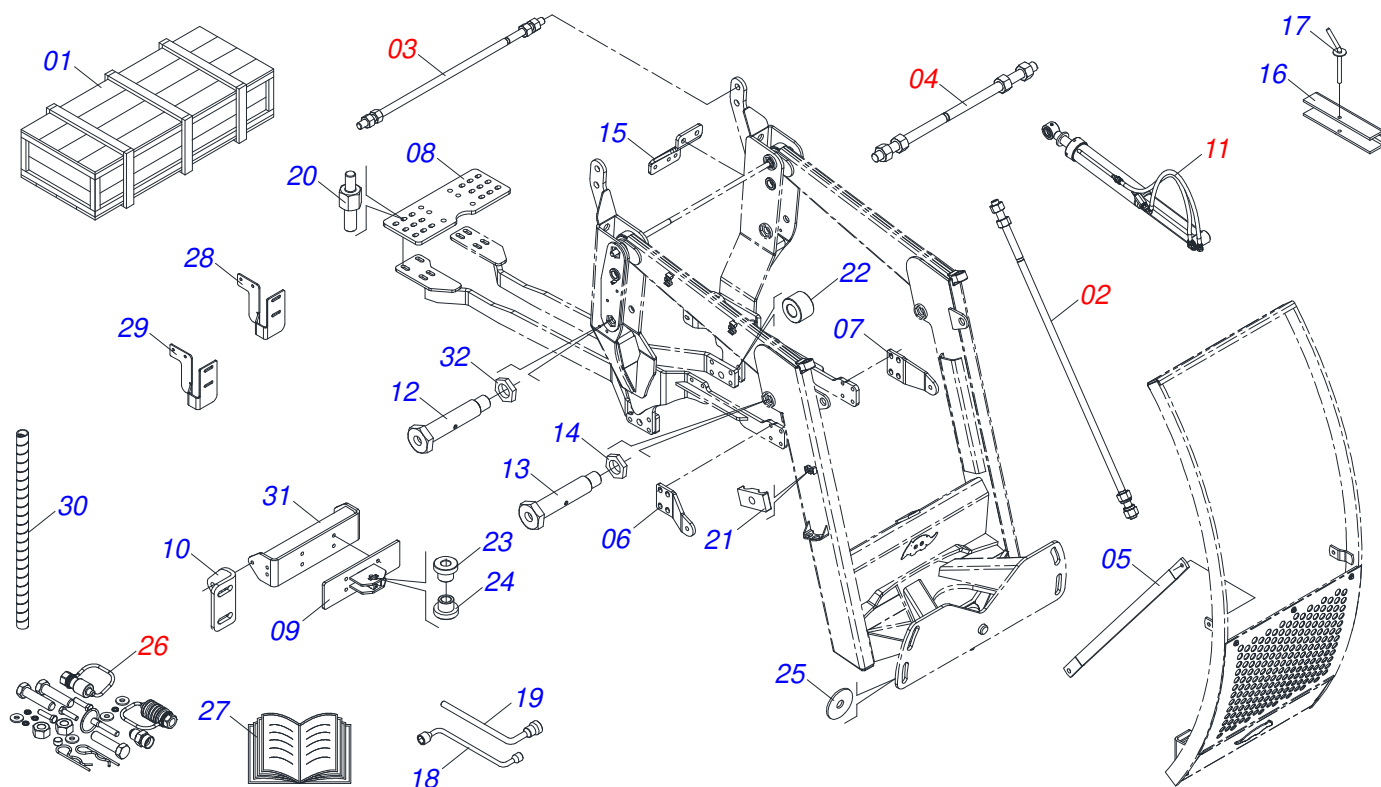
Item	Code	Description	See page	QT
01	0501047708	2400 BLADE SUPPORT	7	01
02	0501063411	ESTABILIZER BRACKET		02
03	0561016756	3/4 UNC X 3/4 UNC X 56 PRISONER		04
04	0501010322	FLAT WASHER		04
05	0503010014	3/4" HEX NUT		04



Item	Code	Description	See page	QT
01	0501067999	2390 BLADE SUPPORT		01
02	0622360016	94.5" SCRAPER REVERSIBLE		01
03	0501012240	BOLT		08
04	0501012140	FLAT WASHER		08
05	0503011445	SPRING WASHER		08
06	0503010013	5/8 NUT		08
07	0909091585	LABEL SET	8	01



Item	Code	Description	See page	QT
01	0503033429	ADHESIVE LABEL		01
02	0503031087	ADHESIVE LABEL		01
03	0503034078	LIFTING POINTS DECAL		02
04	0503036241	ADHESIVE LABEL SAFETY CAUTION SHOCK HAZARD		01



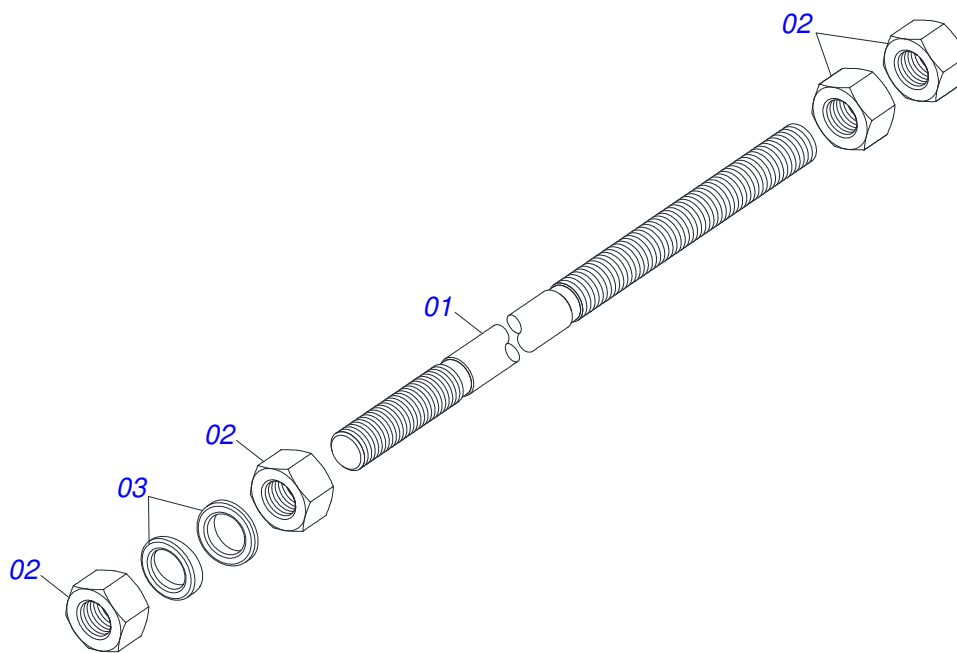
Item	Code	Description	See page	QT
01	0501100441	WOOD BOX		01
02	0501041427	1.1/4" NC X 1540 ASSY ROD	10	02
03	0511047399	1.1/4" NC X 40" ASSY ROD	11	01
04	0521047554	ROD 1.1 / 4 NC 760 X 4 ASSY WITH NUT	12	01
05	0581016940	GUIDE BAR		02
06	0501217920	RIGHT STOP		01
07	0501217919	LEFT STOP		01
08	0581016683	PLATE REAR		01
09	0531061322	SIEVE FIXING SUPPORT		01
10	0501219041	MOVABLE GUIDE FIXING SUPPORT		02
11	0909096386	HYDRAULIC CIRCUIT	13	01
12	0501216406	SCREW 1.1/4" UNF X 147		04
13	0571018265	1.1/4" UNF X 4,40" ZN BOLT		02
14	0501216423	WASHER HEX 37,8 X 58 X 9,50		02
15	0501217918	DIESEL OIL FILTER FIXING SUPPORT		01
16	0501217728	LOCK FOR TRANSPORTATION		02
17	0501068994	8,30 X 78 LOCK PIN		02
18	0501068213	5/8" WRENCH DOUBLE		01
19	0501061617	1" GANG BOLT WRENCH		01
20	0581016974	STUD BOLT		04
21	0502010477	HOSE CLAMP		05
22	0591010080	BUSHING		03
23	0591010509	BUSHING		01
24	0581016942	BUSHING		01
25	0501010574	FLAT WASHER		04
26	0511033535	PACKED PARTS	17	01
27	0511033668	BAG WITH INSTRUCTION MANUAL		01
28	0501217916	TOOL BOX LEFT SUPPORT		01
29	0501217917	TOOL BOX RIGHT SUPPORT		01
30	0581010090	SPRING PROTECTION PLASTIC HOSE		02
31	0521069965	MOBILE SUPPORT GUIDE FIXER		01



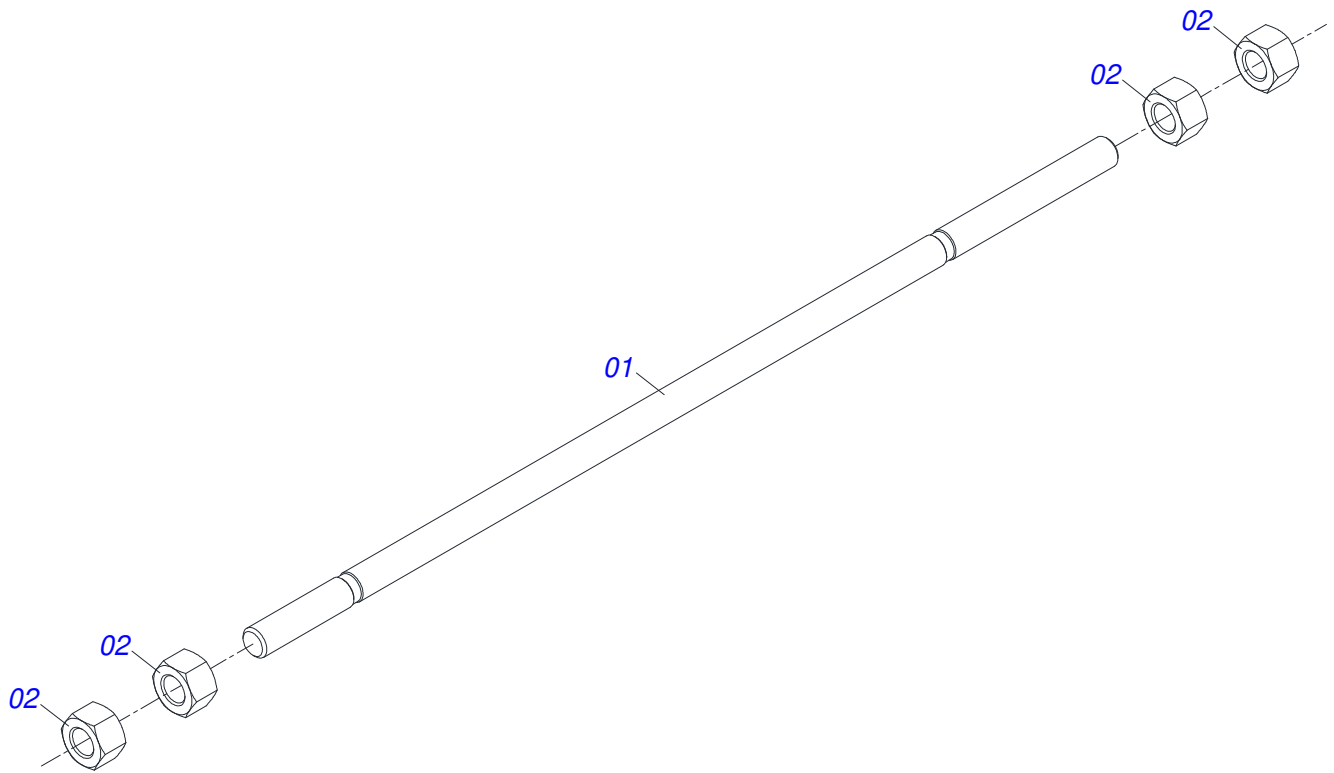
BOX WITH COMPONENTS

0521025552

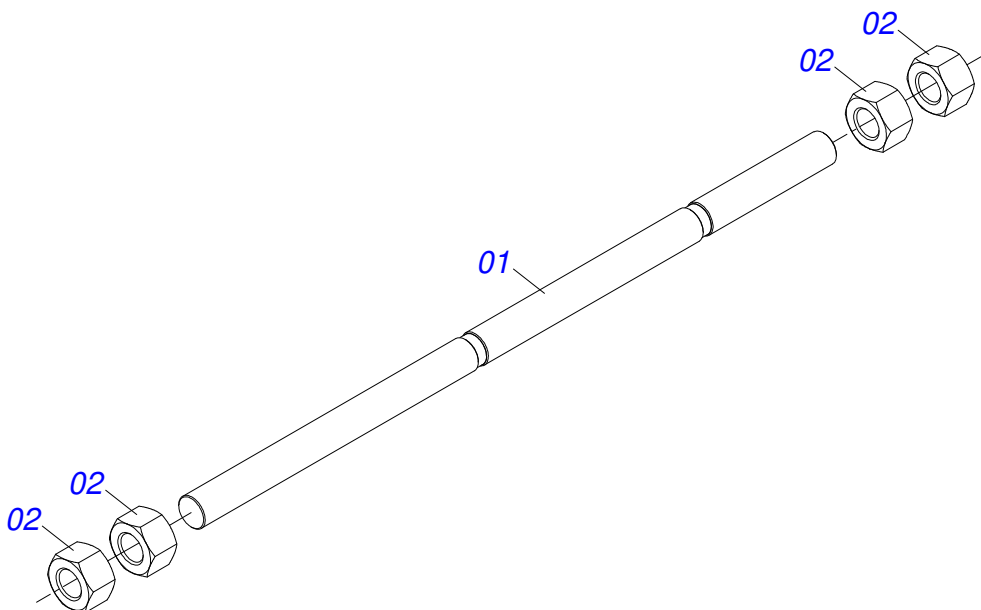
Item	Code	Description	See page	QT
32	0501216405	WASHER 37,8 EXTERNAL HEXAGON 58 X 8,00		04



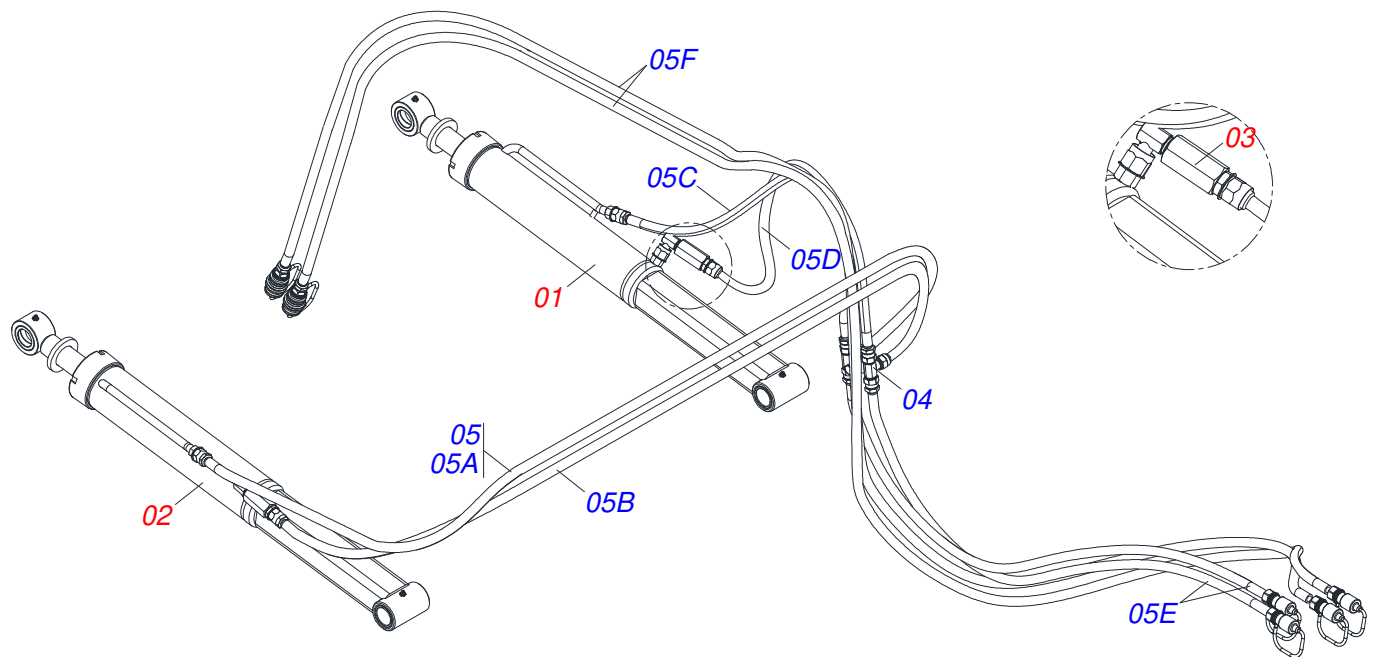
Item	Code	Description	See page	QT
01	0501014250	1.1/4" X 1540 ROD		01
02	0501010087	1.1/4" NUT		04
03	0502012180	CONICAL SPRING WASHER		02



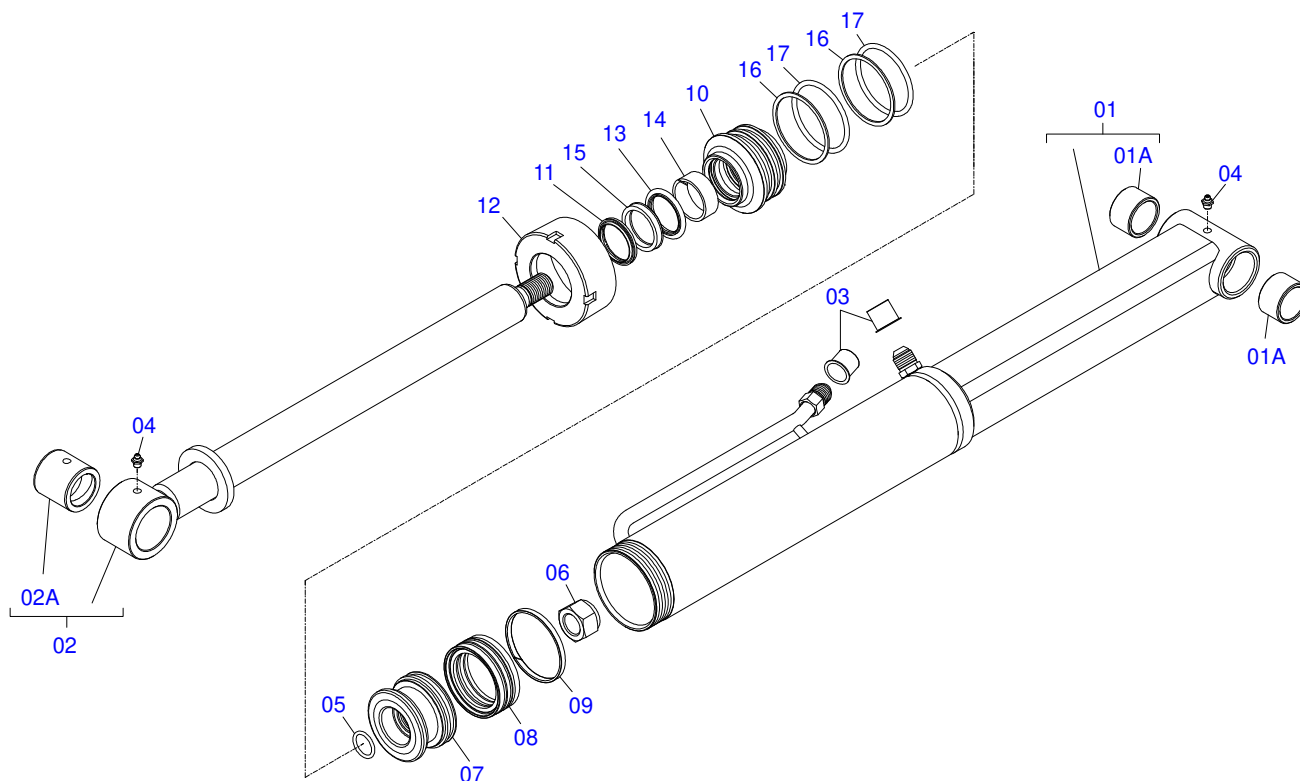
Item	Code	Description	See page	QT
01	0561010598	1.1/4 UNC 7FPP X 1140 ROD		01
02	0501010087	1.1/4" NUT		04



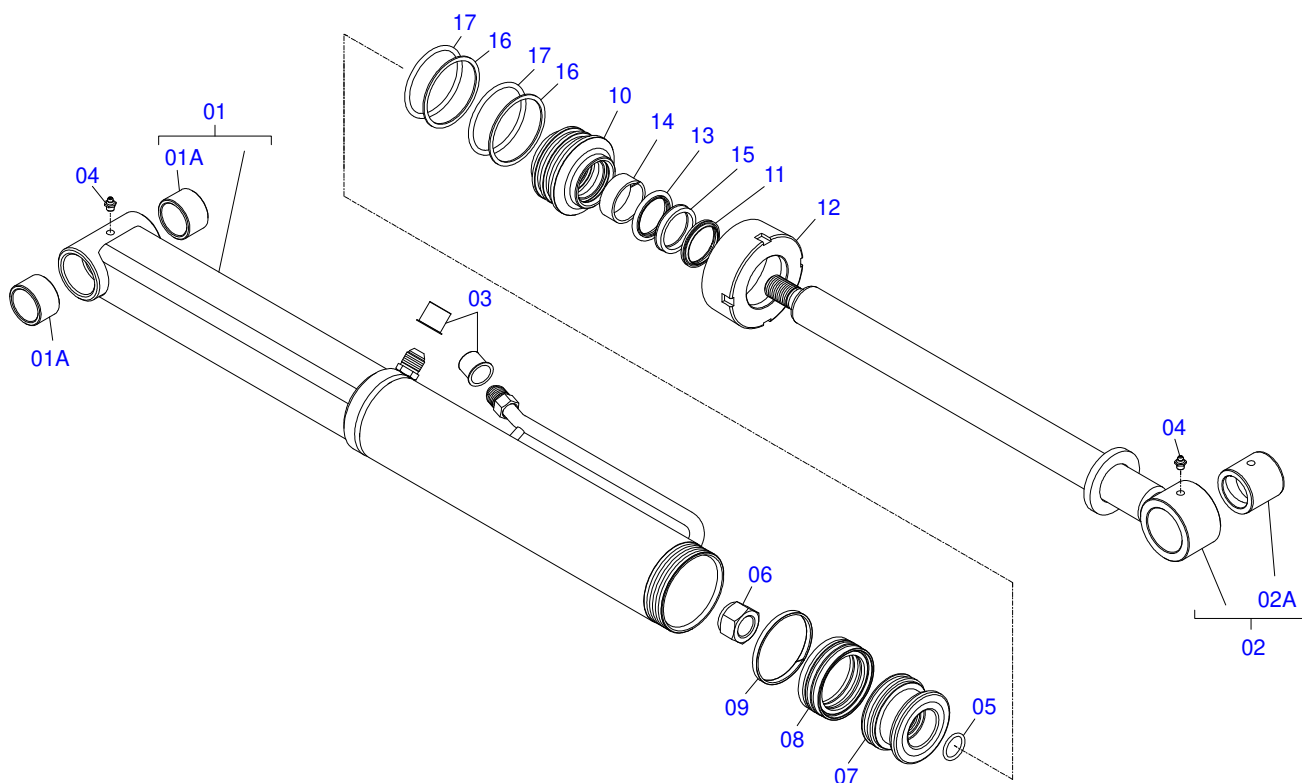
Item	Code	Description	See page	QT
01	0501010628	1.1/4" X 760 ROD		01
02	0501010087	1.1/4" NUT		04



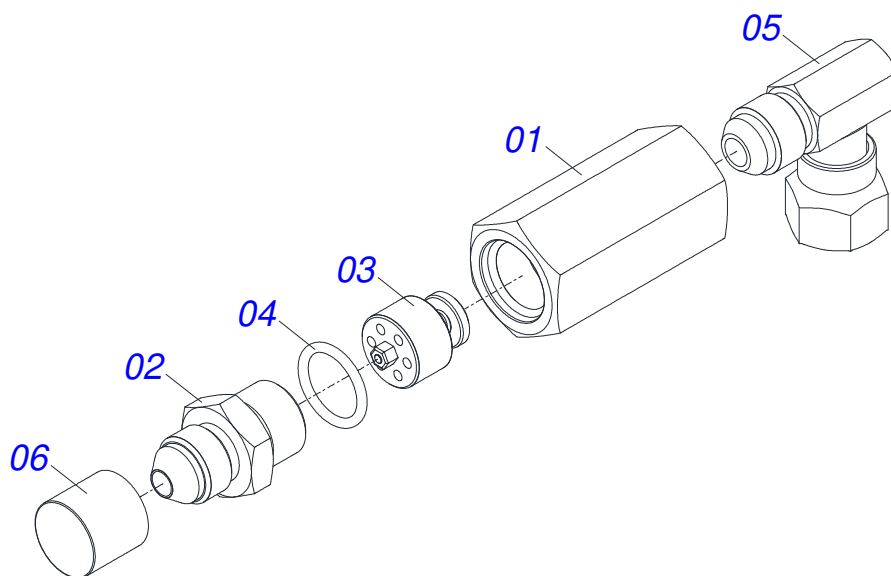
Item	Code	Description	See page	QT
01	0521050157	44,45 X 85,72 X 1049 X 360 - RIGHT HYDRAULIC CYLINDER	14	01
02	0521050158	44,45 X 85,72 X 1049 X 360 - LEFT HYDRAULIC CYLINDER	15	01
03	0511057771	R.7/8UNF - SAFETY VALVE	16	02
04	0521064869	7/8UNF JIC OIL DISTRIBUTOR		01
05	0521054483	HOSE KIT		01
05A	0501081305	1/2 X 2750 TR-TR HOSE		01
05B	0501080336	1/2" X 96" TR-TR HOSE		01
05C	0501080224	1/2 X 1750 TR-TR HOSE		01
05D	0501080171	1/2" X 57" TR-TR HOSE		01
05E	0501080740	1/2" X 12" TC-TM HOSE ASSY		02
05F	0501081963	HOSE		02



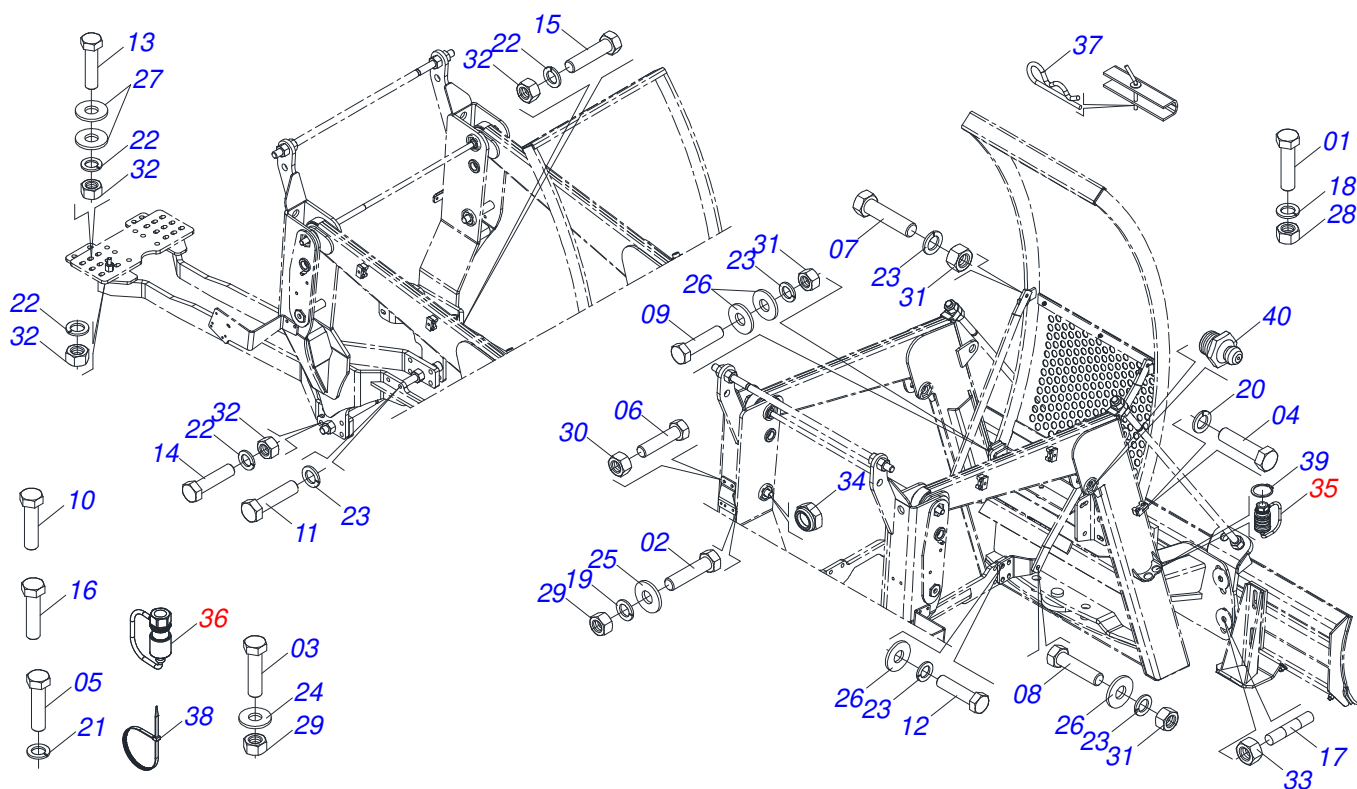
Item	Code	Description	See page	QT
01	0521067430	CYLINDER BODY		01
01A	0541014740	SLEEVE		02
02	0521067431	44,45 X 590 EXTENDER - PD VTR A750		01
02A	0521010514	38,1 X 52,9 X 50 SLEEVE INTER		01
03	0503030387	PLUG		02
04	0503010002	1800 GREASE FITTING		02
05	0503010042	2-214 N 3006-9B O'RING		01
06	0503010063	1" SELF-ALIGNING NUT		01
07	0571019710	1.7" X 3.4" PISTON		01
08	0503017935	RING		01
09	0503018144	RING		01
10	0571019711	RING SUPPORT		01
11	0503010761	D-1750 SCRAPER RING		01
12	0571019709	DETACHABLE COVER		01
13	0503017936	RING		01
14	0503017938	RING GUIDE		01
15	0503017937	GASKET		01
16	0503017940	8-337 BACK-UP RING		02
17	0503017939	2-337 N 3006-9B O' RING		02



Item	Code	Description	See page	QT
01	0521067429	85,72 X 468 7/8 LEFT CYLINDER BODY - PD VTR A750		01
01A	0541014740	SLEEVE		02
02	0521067431	44,45 X 590 EXTENDER - PD VTR A750		01
02A	0521010514	38,1 X 52,9 X 50 SLEEVE INTER		01
03	0503030387	PLUG		02
04	0503010002	1800 GREASE FITTING		02
05	0503010042	2-214 N 3006-9B O'RING		01
06	0503010063	1" SELF-ALIGNING NUT		01
07	0571019710	1.7" X 3.4" PISTON		01
08	0503017935	RING		01
09	0503018144	RING		01
10	0571019711	RING SUPPORT		01
11	0503010761	D-1750 SCRAPER RING		01
12	0571019709	DETACHABLE COVER		01
13	0503017936	RING		01
14	0503017938	RING GUIDE		01
15	0503017937	GASKET		01
16	0503017940	8-337 BACK-UP RING		02
17	0503017939	2-337 N 3006-9B O' RING		02



Item	Code	Description	See page	QT
01	0503018033	37 X R.7/8 UNF 90° JIC MALE CONNECTOR WITH ROTATING NUT		01
02	0581014053	1/2 BSP X 7/8 UNF JIC X 64 ADAPTER		01
03	0503016854	SAFETY VALVE		01
04	0503010045	O'RING		01
05	0581014052	1/2 BSP X 7/8 UNF JIC X 43 NIPLE		01
06	0503030387	PLUG		01



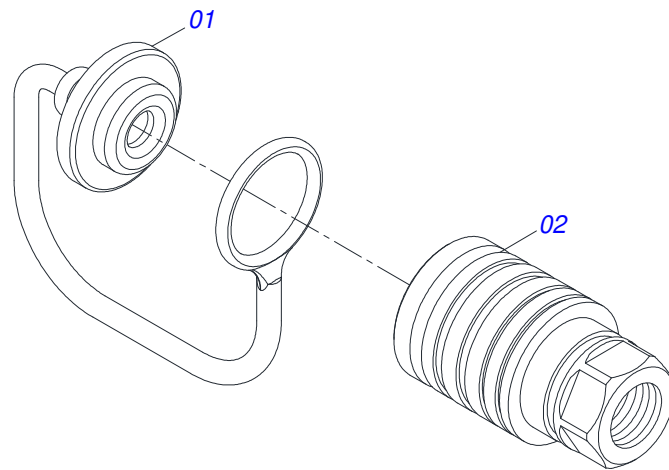
Item	Code	Description	See page	QT
01	0503010363	BOLT 5/16 UNC X 1 C S G.2 ZN		02
02	0503010849	3/8" X 1-1/2" BOLT		03
03	0503011087	3/8" X 1" BOLT		04
04	0503011135	BOLT		03
05	0501010155	1/2" X 1" BOLT		01
06	0501010063	1/2" X 1-1/2" BOLT		02
07	0501010100	SCREW 5/8 UNC X 2 CS G.5 ZN		06
08	0503011243	5/8" X 2" BOLT		02
09	0503010899	5/8 UNC X 2.1/4 BOLT		04
10	0503011188	M16 X 2 X 50 BOLT		04
11	0503013378	M16 X 2 X 50 BOLT		12
12	0503019419	BOLT		04
13	0503013390	3/4" UNC BOLT		04
14	0501010500	3/4" X 3" BOLT		03
15	0503011328	3/4" X 4" BOLT		03
16	0501011545	3/4" X 6-1/2" BOLT		01
17	0561016755	PRISONER 1 UNC X 1 UNC X 76 ZN		04
18	0503010179	LOCK WASHER 5/16 ZN 1K01528		02
19	0503010025	3/8 SPRING WASHER		07
20	0503010180	7/16" SPRING WASHER		03
21	0503010019	1/2" SPRING WASHER		01
22	0503010023	3/4" SPRING WASHER		15
23	0503010027	5/8 SPRING WASHER		32
24	0501013518	FLAT WASHER		04
25	0501010984	10,50 X 27 X 3,00 FLAT WASHER		02
26	0501012140	FLAT WASHER		24
27	0501010322	FLAT WASHER		08
28	0503010337	5/16" NUT		02
29	0503010026	3/8" NUT		07
30	0503011336	1/2" HEX SELF ADJUSTING NUT		02
31	0503010013	5/8 NUT		12



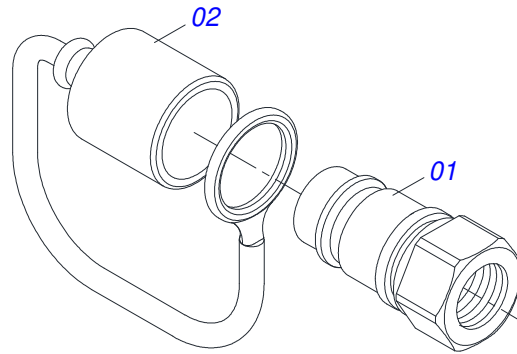
PD 600
PACKED PARTS

Page 17
0511033535

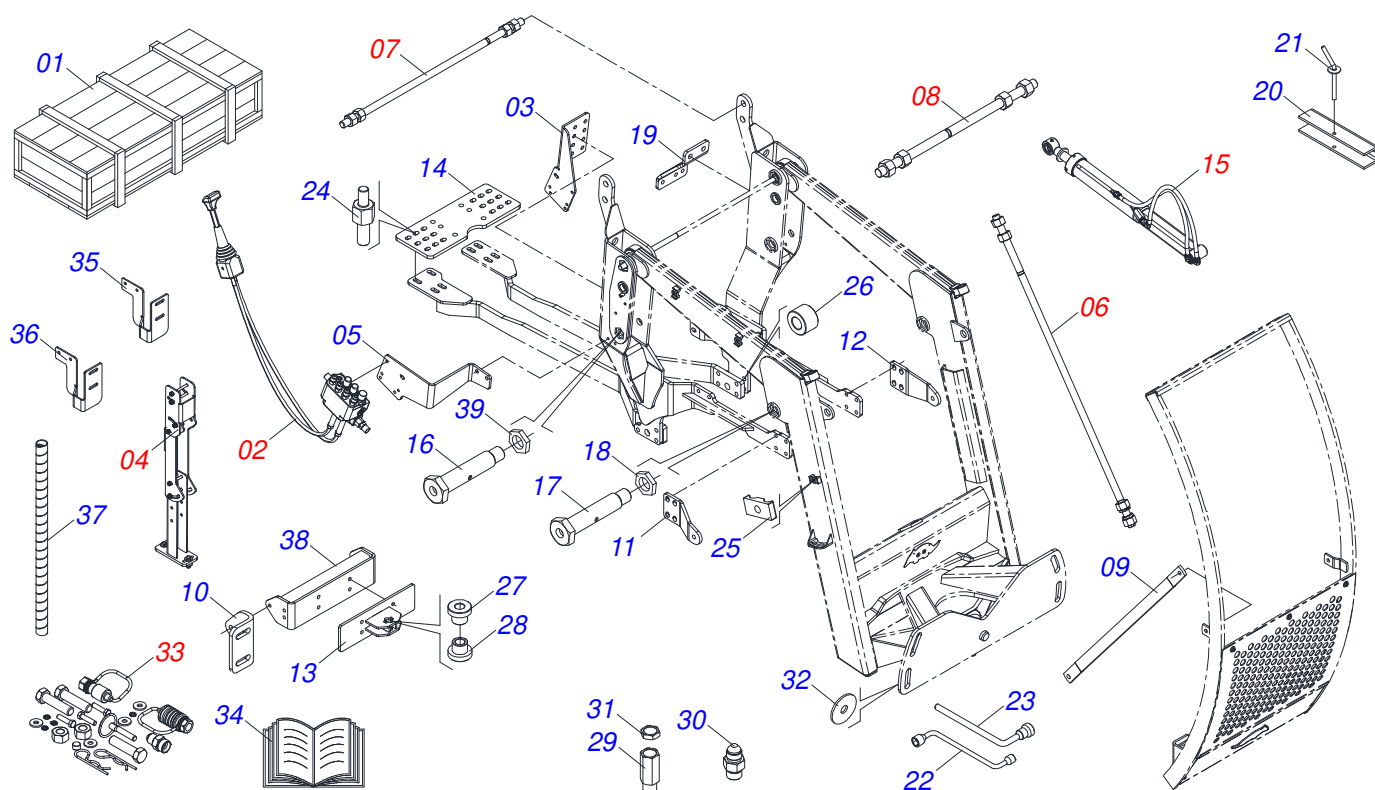
Item	Code	Description	See page	QT
32	0503010014	3/4" HEX NUT		15
33	0501010059	1.5/8 NUT		04
34	0503010044	1-1/4" SELF LOCKING NUT		06
35	0501053835	FEMALE QUICK COUPLER	18	02
36	0501053834	MALE QUICK COUPLER	19	04
37	0503030168	HITCH PIN CLIP		02
38	0503013527	CLAMP ZIPER		10
39	0503010217	501040 CLAMPING RING (FOR AXLE)		04
40	0503010002	1800 GREASE FITTING		06



Item	Code	Description	See page	QT
01	0503011883	QUICK CONNECTION COVER		01
02	0503011628	FEMALE QUICK COUPLER		01



Item	Code	Description	See page	QT
01	0503011627	MALE QUICK COUPLER AGR 1/2 NPT		01
02	0503011882	MALE QUICK COUPLER CAP		01



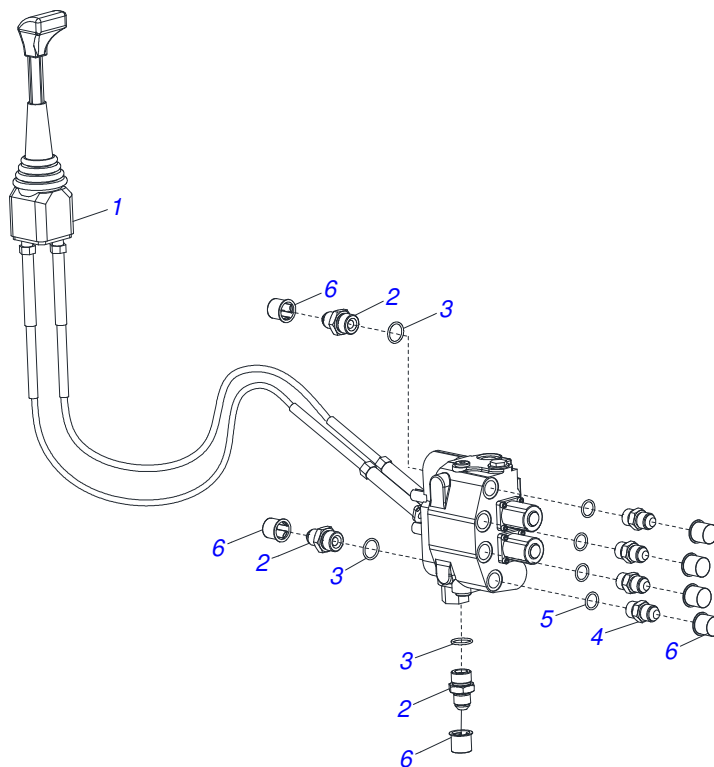
Item	Code	Description	See page	QT
01	0501100441	WOOD BOX		01
02	0521047926	1/2" COMMAND	21	01
03	0501217866	CONTROL FIXING BASE		02
04	0531044005	SET SUPPORT JOY STICK	22	01
05	0501217924	COMMAND SUPPORT		01
06	0501041427	1.1/4" NC X 1540 ASSY ROD	10	02
07	0511047399	1.1/4" NC X 40" ASSY ROD	11	01
08	0521047554	ROD 1.1 / 4 NC 760 X 4 ASSY WITH NUT	12	01
09	0581016940	GUIDE BAR		02
10	0501219041	MOVABLE GUIDE FIXING SUPPORT		02
11	0501217920	RIGHT STOP		01
12	0501217919	LEFT STOP		01
13	0531061322	SIEVE FIXING SUPPORT		01
14	0501217915	BACK PLATE FIXING FRAME		01
15	0909096385	HYDRAULIC CIRCUIT	23	01
16	0501216406	SCREW 1.1/4" UNF X 147		04
17	0571018265	1.1/4" UNF X 4,40" ZN BOLT		02
18	0501216423	WASHER HEX 37,8 X 58 X 9,50		02
19	0501217918	DIESEL OIL FILTER FIXING SUPPORT		01
20	0501217728	LOCK FOR TRANSPORTATION		02
21	0501068994	8,30 X 78 LOCK PIN		02
22	0501068213	5/8" WRENCH DOUBLE		01
23	0501061617	1" GANG BOLT WRENCH		01
24	0581016974	STUD BOLT		04
25	0502010477	HOSE CLAMP		05
26	0591010080	BUSHING		03
27	0581016942	BUSHING		01
28	0591010509	BUSHING		01
29	0581016628	ADAPTER BODY		01
30	0561018342	1" NF NIPPLE		01
31	0581016949	LOCKNUT		01



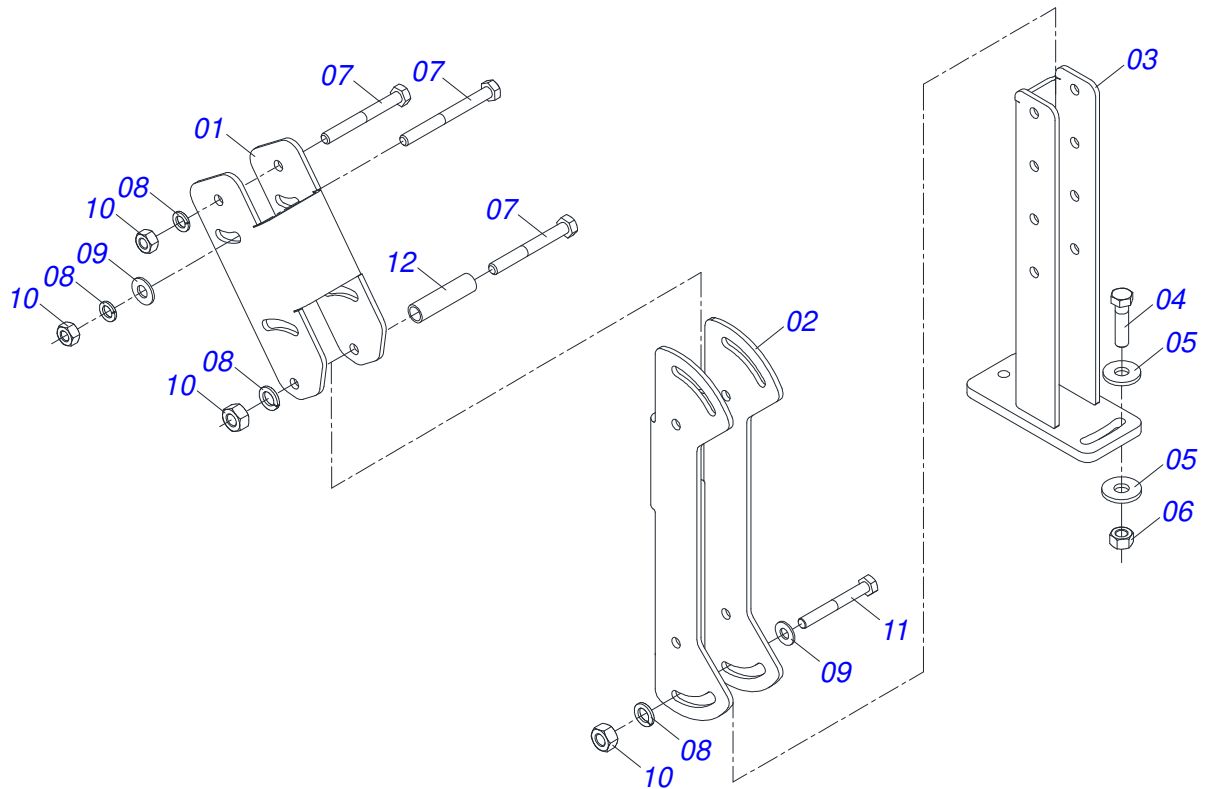
BOX WITH COMPONENTS

0521025553

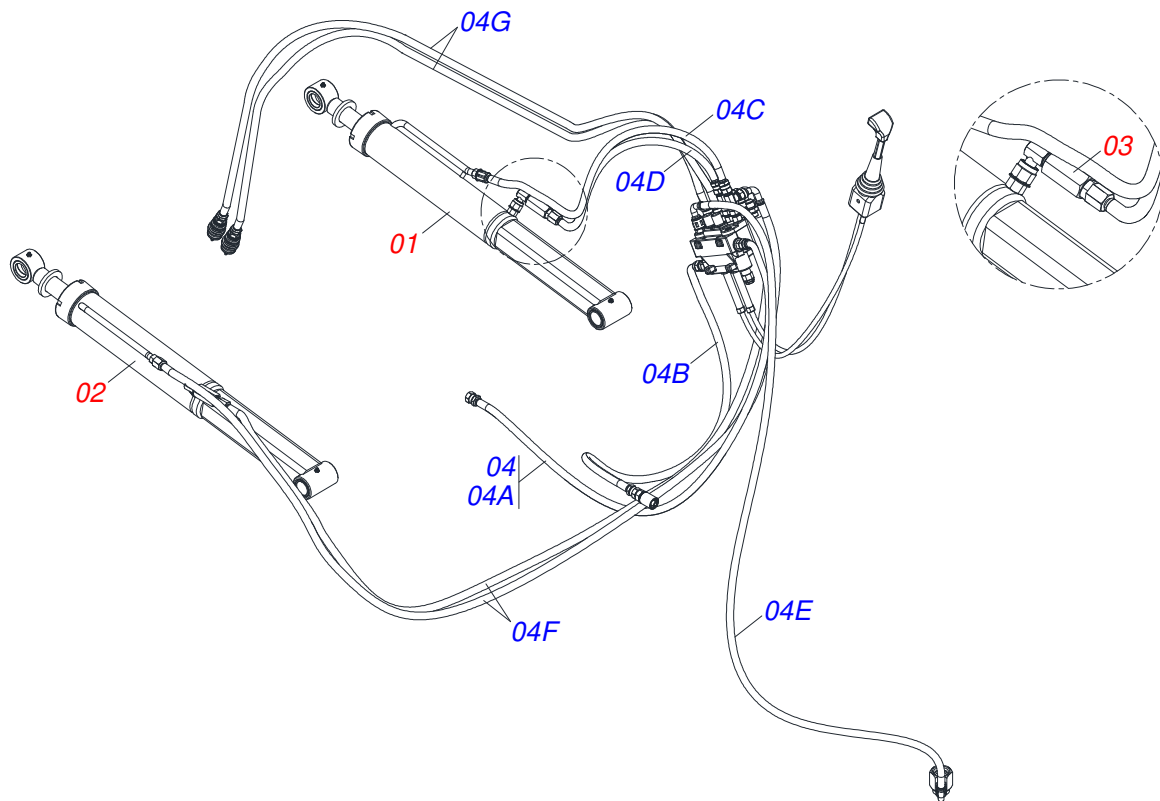
Item	Code	Description	See page	QT
32	0501010574	FLAT WASHER		04
33	0511033538	PACKED PARTS	24	01
34	0511033668	BAG WITH INSTRUCTION MANUAL		01
35	0501217916	TOOL BOX LEFT SUPPORT		01
36	0501217917	TOOL BOX RIGHT SUPPORT		01
37	0581010090	SPRING PROTECTION PLASTIC HOSE		02
38	0521069965	MOBILE SUPPORT GUIDE FIXER		01
39	0501216405	WASHER 37,8 EXTERNAL HEXAGON 58 X 8,00		04



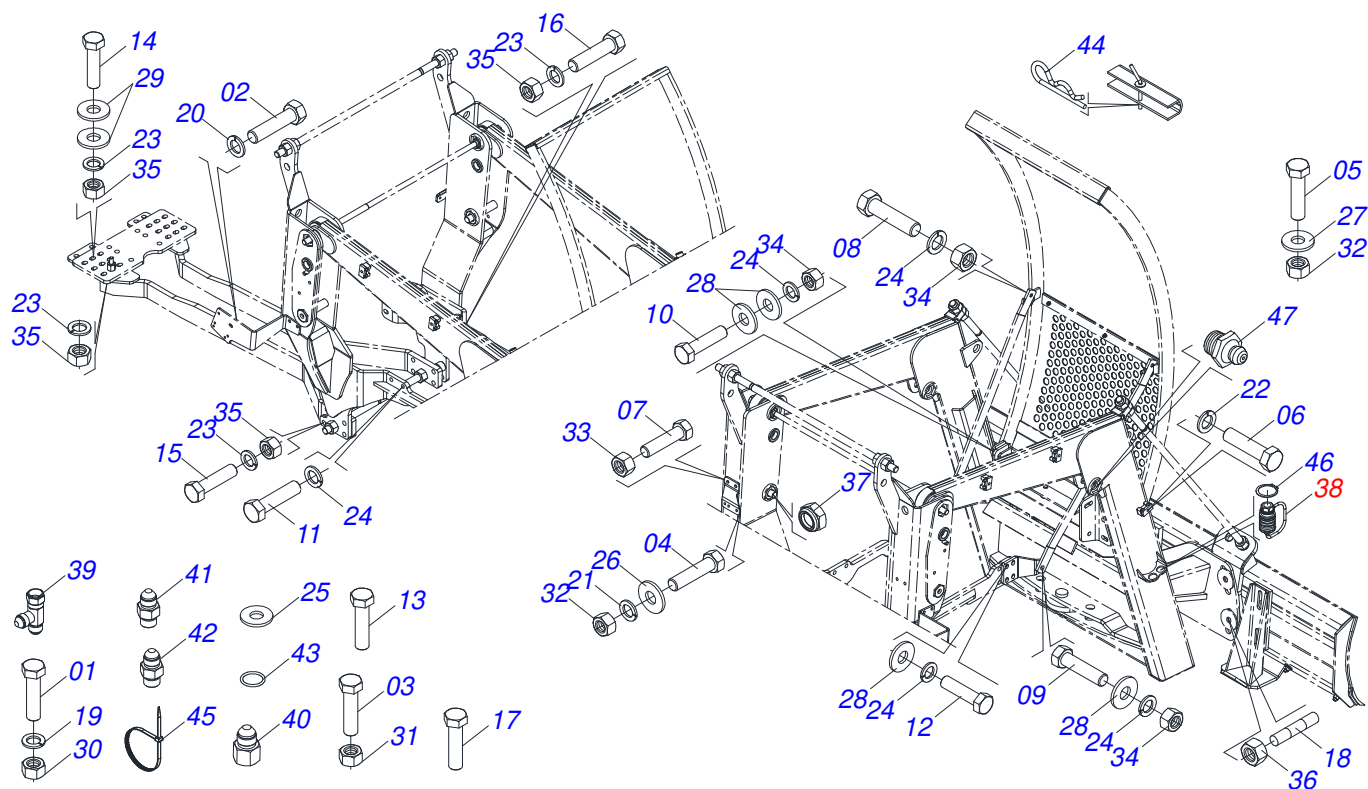
Item	Code	Description	See page	QT
01	0503062415	COMPLETE JOYSTICK CONTROL SDM122/2		01
02	0511018014	7/8"NF X 1.1/16 UN NIPPLE		03
03	0503011109	2-119 N 3006-9B O'RING		03
04	0501010590	NIPPLE		04
05	0503010045	O'RING		04
06	0503030387	PLUG		07



Item	Code	Description	See page	QT
01	0501217764	UPPER BODY JOYSTICK SUPPORT		01
02	0501217765	CENTRAL BODY JOYSTICK SUPPORT		01
03	0531065170	JOYSTICK BOTTOM SUPPORT		01
04	0503010849	3/8" X 1-1/2" BOLT		02
05	0501010984	10,50 X 27 X 3,00 FLAT WASHER		04
06	0503010026	3/8" NUT		02
07	0503010848	5/16" X 3.1/2" BOLT		04
08	0503010179	LOCK WASHER 5/16 ZN 1K01528		06
09	0501010694	FLAT WASHER		06
10	0503010337	5/16" NUT		06
11	0503011053	5/16" X 3" C S 6.5 ZN BOLT		02
12	0541015551	0.39" X 0.512" X 1.9" SLEEVE		02



Item	Code	Description	See page	QT
01	0521050157	44,45 X 85,72 X 1049 X 360 - RIGHT HYDRAULIC CYLINDER	14	01
02	0521050158	44,45 X 85,72 X 1049 X 360 - LEFT HYDRAULIC CYLINDER	15	01
03	0511057771	R.7/8UNF - SAFETY VALVE	16	02
04	0521054485	HOSE KIT		01
04A	0501081305	1/2 X 2750 TR-TR HOSE		01
04B	0501080336	1/2" X 96" TR-TR HOSE		01
04C	0501080224	1/2 X 1750 TR-TR HOSE		01
04D	0501080171	1/2" X 57" TR-TR HOSE		01
04E	0501080273	1/2" X 106" HOSE TC-TC		01
04F	0501080272	1/2" X 106" TR-TC HOSE		02
04G	0501080308	1/2 X 2750 TR-TM HOSE		02



Item	Code	Description	See page	QT
01	0503017866	3/16" X 1,1/2" BOLT	01	
02	0503016506	5/16 UNC X 3/4 C S G.5 ZN BOLT	04	
03	0503010363	BOLT 5/16 UNC X 1 C S G.2 ZN	02	
04	0503010849	3/8" X 1-1/2" BOLT	03	
05	0503011087	3/8" X 1" BOLT	04	
06	0503011135	BOLT	03	
07	0501010063	1/2" X 1-1/2" BOLT	04	
08	0501010100	SCREW 5/8 UNC X 2 CS G.5 ZN	06	
09	0503011243	5/8" X 2" BOLT	02	
10	0503010899	5/8 UNC X 2.1/4 BOLT	04	
11	0503013378	M16 X 2 X 50 BOLT	12	
12	0503019419	BOLT	04	
13	0503011188	M16 X 2 X 50 BOLT	04	
14	0503013390	3/4" UNC BOLT	04	
15	0501010500	3/4" X 3" BOLT	03	
16	0503011328	3/4" X 4" BOLT	03	
17	0501011545	3/4" X 6-1/2" BOLT	01	
18	0561016755	PRISONER 1 UNC X 1 UNC X 76 ZN	04	
19	0503010668	3/16" SPRING WASHER	01	
20	0503010179	LOCK WASHER 5/16 ZN 1K01528	06	
21	0503010025	3/8 SPRING WASHER	07	
22	0503010180	7/16" SPRING WASHER	03	
23	0503010023	3/4" SPRING WASHER	15	
24	0503010027	5/8 SPRING WASHER	32	
25	0501010694	FLAT WASHER	01	
26	0501010984	10,50 X 27 X 3,00 FLAT WASHER	02	
27	0501013518	FLAT WASHER	04	
28	0501012140	FLAT WASHER	22	
29	0501010322	FLAT WASHER	08	
30	0503010667	3/16" NUT	01	
31	0503010337	5/16" NUT	02	



PD 600
PACKED PARTS

Page 24
0511033538

Item	Code	Description	See page	QT
32	0503010026	3/8" NUT		07
33	0503011336	1/2" HEX SELF ADJUSTING NUT		04
34	0503010013	5/8 NUT		12
35	0503010014	3/4" HEX NUT		15
36	0501010059	1.5/8 NUT		04
37	0503010044	1-1/4" SELF LOCKING NUT		06
38	0501053835	FEMALE QUICK COUPLER	18	02
39	0503062177	7/8 (V.C) T-ADAPTER WITH NUT		02
40	0571019584	7/8 UNF NIPPLE		01
41	0501010590	NIPPLE		01
42	0501011460	7/8 NF REDUCTION NIPPLE		02
43	0503011034	RING		01
44	0503030168	HITCH PIN CLIP		02
45	0503013527	CLAMP ZIPER		10
46	0503010217	501040 CLAMPING RING (FOR AXLE)		04
47	0503010002	1800 GREASE FITTING		06



MARCHESAN

Technical Publications | Elaboration and Revision

LORENA ROCHA ALVES

www.marchesan.com.br

