

PD - FRONT LOADER

PD 1100

Code: 0501093573
Series: S-0118
Revision: 00
Date Revision: AGOSTO/2023

PARTS CATALOGUE



MARCHESAN



PRODUCTS

Code	Description
0106030464	PD 1100 S-0118
0106030465	PD 1100 S-0118

ATTENTION: IMPORTANT

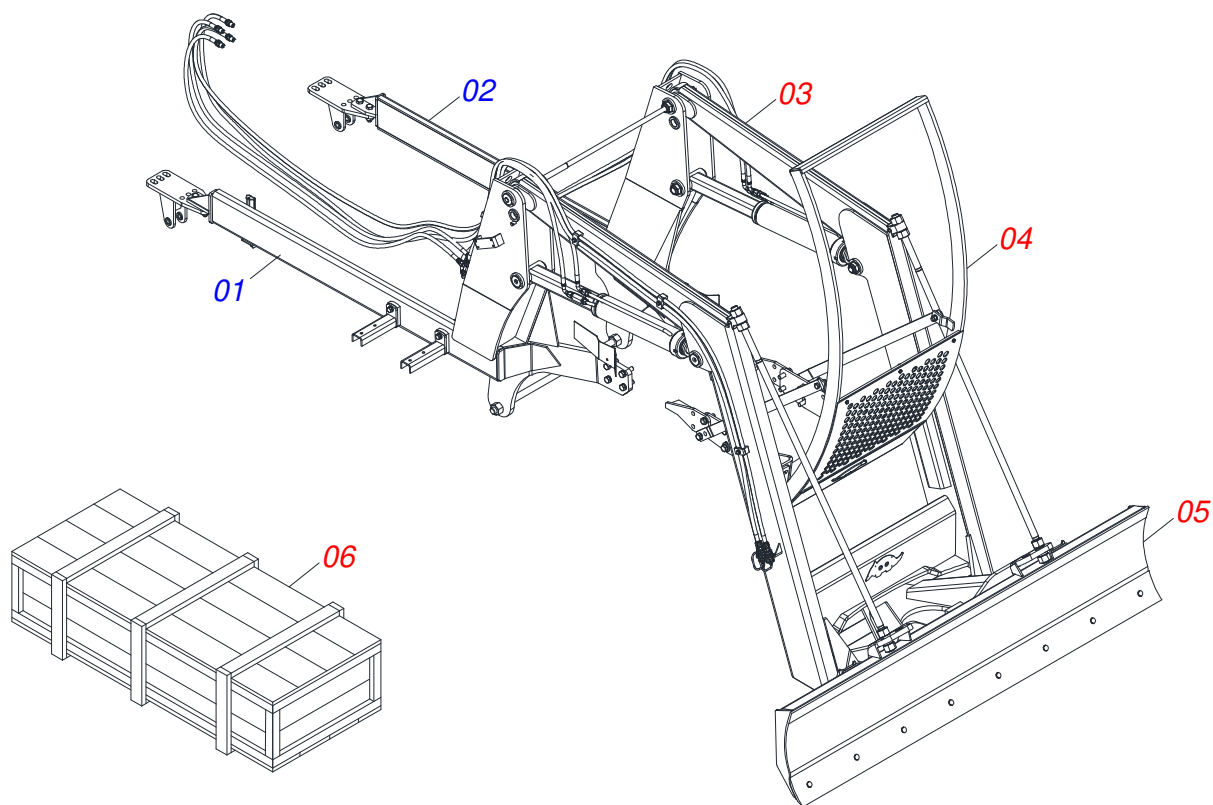
Marchesan S.A. reserves the right to improve and/or modify the technical features of its products, without obligation to do the same with those products already sold and without prior knowledge of the dealer or the customer. The photos are only illustrative.



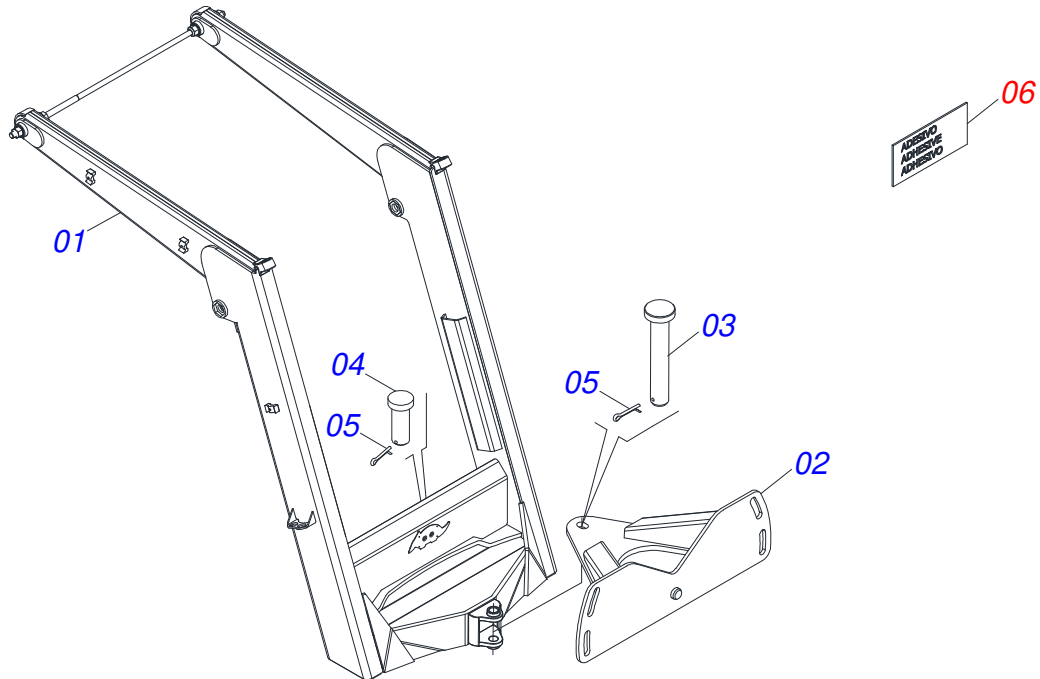
MARCHESAN

INDEX

0909096821	PD 1100	1
0521047673	MOBILE SUPPORT ASSY	2
0909096822	DECAL SET	3
0501048330	MOBILE SUPPORT GUIDE ASSY	4
0511045456	2600 BLADE SUPPORT ASSY	5
0501047710	2600MM BLADE SUPPORT ASSY	6
0909096829	DECAL SET	7
0521024974	BOX WITH COMPONENTS	8
0521044193	1.1/4 NC X 1810 FULL ROD	9
0501041849	ASSY 1.1/4 NC X 910 ROD	10
0909096823	HYDRAULIC CIRCUIT	11
0521051770	HYDRAULIC CYLINDER	12
0521051768	HYDRAULIC CYLINDER	13
0511054457	ASSY SAFETY VALVE	14
0511033325	PACKED PARTS	15
0501053835	FEMALE QUICK COUPLER	16
0521024975	BOX WITH COMPONENTS	17
0521053886	HYDRAULIC COMMAND	18
0531044005	SET SUPPORT JOY STICK	19
0511033326	PACKED PARTS	20
0909096824	HYDRAULIC CIRCUIT	21



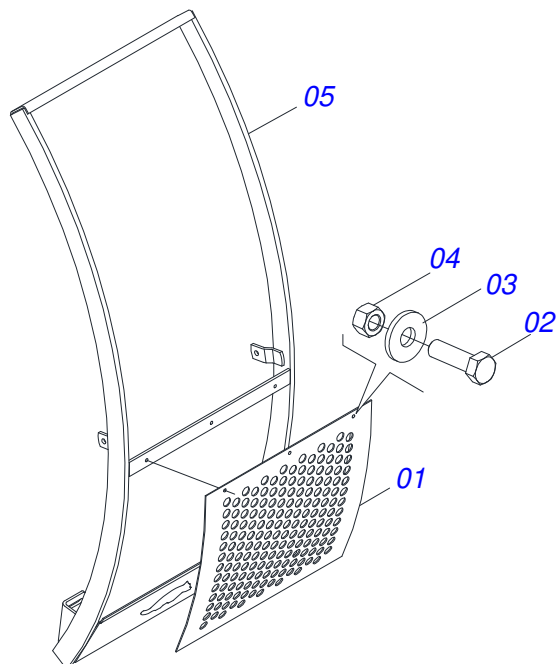
Item	Code	Description	See page	QT
01	0531065001	RIGHT FRAME		01
02	0531064984	LEFT FRAME		01
03	0521047673	MOBILE SUPPORT ASSY	2	01
04	0501048330	MOBILE SUPPORT GUIDE ASSY	4	01
05	0511045456	2600 BLADE SUPPORT ASSY	5	01
06	0521024974	BOX WITH COMPONENTS	8	01
06.	0521024975	BOX WITH COMPONENTS	17	01



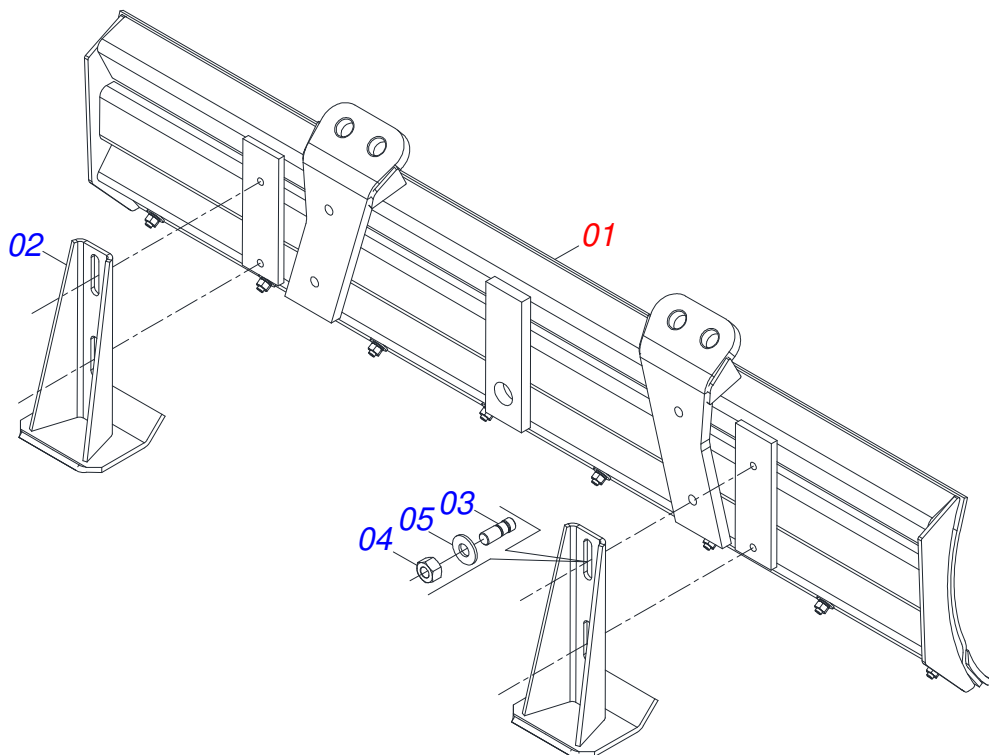
Item	Code	Description	See page	QT
01	0521068135	MOBILE SUPPORT		01
02	0501062637	5/8" REGULATOR SUPPORT		01
03	0521010618	1.4" X 8.6" COUPLING SHAFT		01
04	0521010612	1.4" X 3.5" COUPLING SHAFT		01
05	0503010010	1/4" X 2.1/2" SPLIT PIN		02
06	0909096822	DECAL SET	3	01



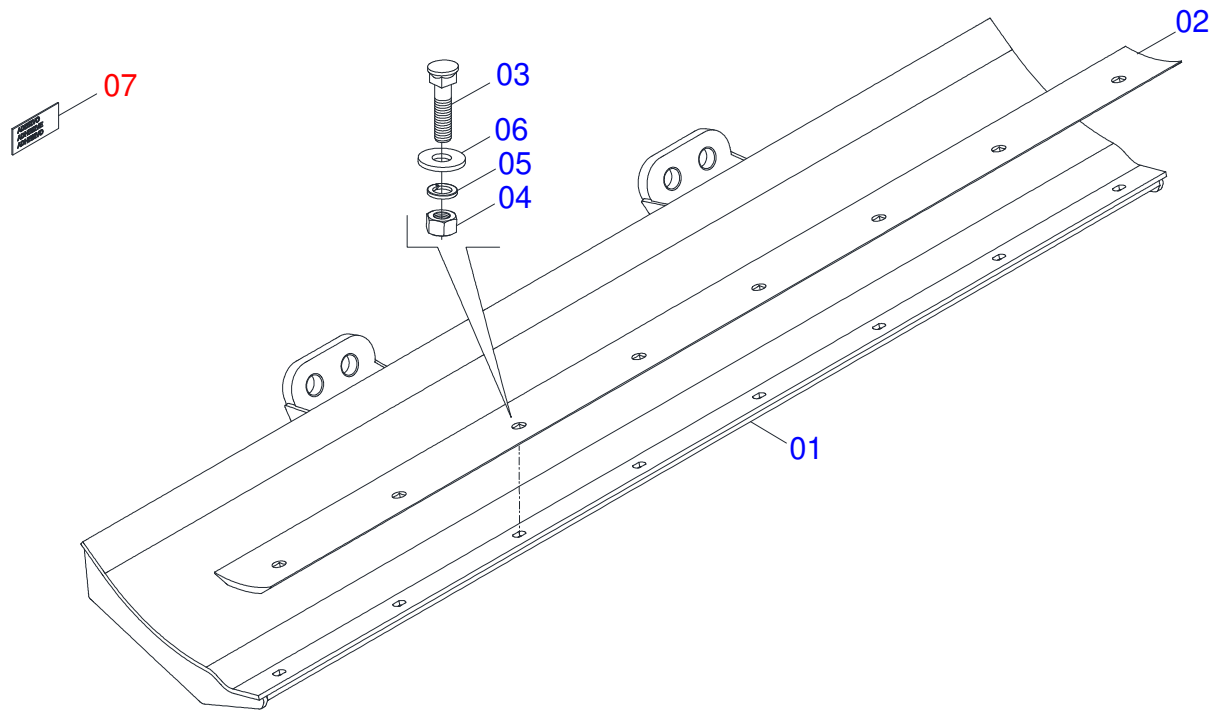
Item	Code	Description	See page	QT
01	0503034003	SERIAL NUMBER TAG 61 X 118		01
02	0503010001	3.2 X 5.5 RIVET		04
03	0503064057	ADHESIVE DECAL SET		01
04	0503031428	READ MANUAL DECAL		01
05	0503031827	LUBRICATE AND RETIGHTEN DAILY DECAL		01
06	0503034078	LIFTING POINTS DECAL		03
07	0503031087	ADHESIVE LABEL		01
08	0503036238	ADHESIVE LABEL SAFETY LOCKING HYDRAULIC CYLINDERS		01
09	0503036239	ADHESIVE LABEL ATTENTION FLUIDS WITH PRESSURE		01
10	0503036241	ADHESIVE LABEL SAFETY CAUTION SHOCK HAZARD		01



Item	Code	Description	See page	QT
01	0501014686	FRONT PROTECTION		01
02	0503010751	C3/8" X 1.1/4" HEX BOLT G.5		03
03	0501010984	10,50 X 27 X 3,00 FLAT WASHER		03
04	0503010026	3/8" NUT		03
05	0521064583	MOBILE SUPPORT GUIDE		01



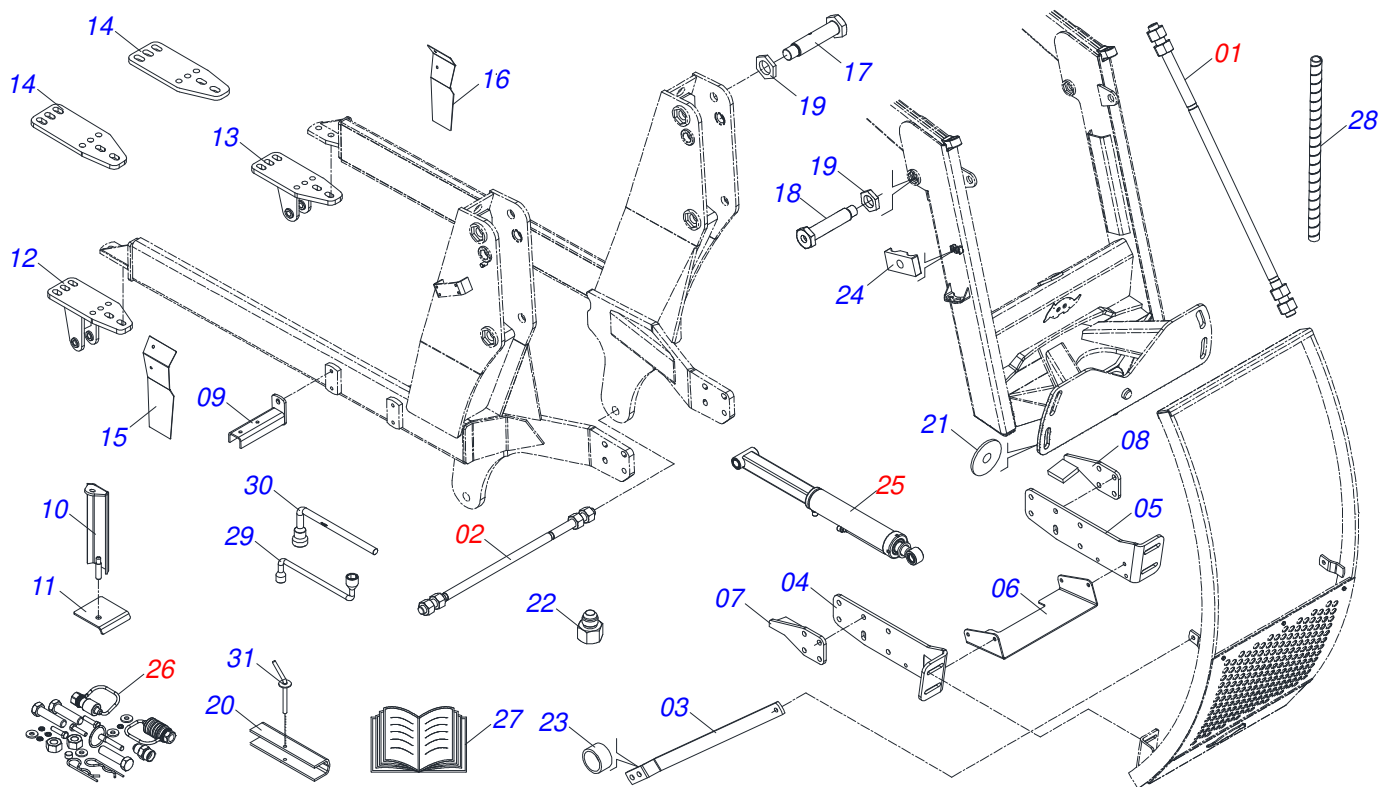
Item	Code	Description	See page	QT
01	0501047710	2600MM BLADE SUPPORT ASSY	6	01
02	0501063411	ESTABILIZER BRACKET		02
03	0561016756	3/4 UNC X 3/4 UNC X 56 PRISONER		04
04	0503010014	3/4" HEX NUT		08
05	0501010322	FLAT WASHER		04



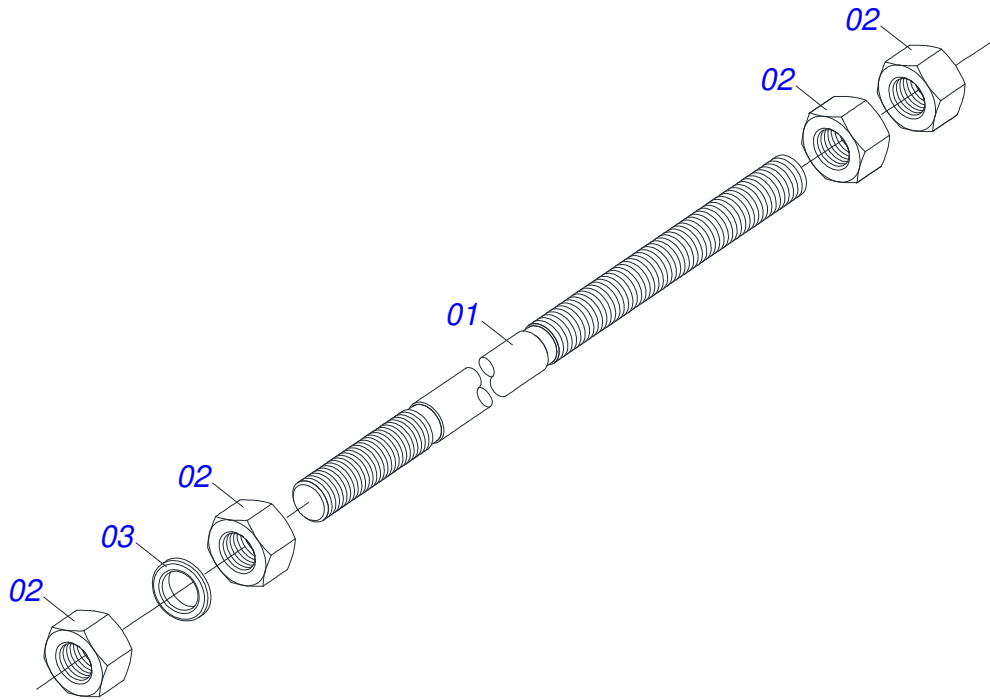
Item	Code	Description	See page	QT
01	0501068001	2590MM BLADE SUPPORT ASSY		01
02	0622360011	2600 SCRAPER REVERSIBLE		01
03	0501012240	BOLT		08
04	0503010013	5/8 NUT		08
05	0503010027	5/8 SPRING WASHER		08
06	0501010301	FLAT WASHER		08
07	0909096829	DECAL SET	7	01



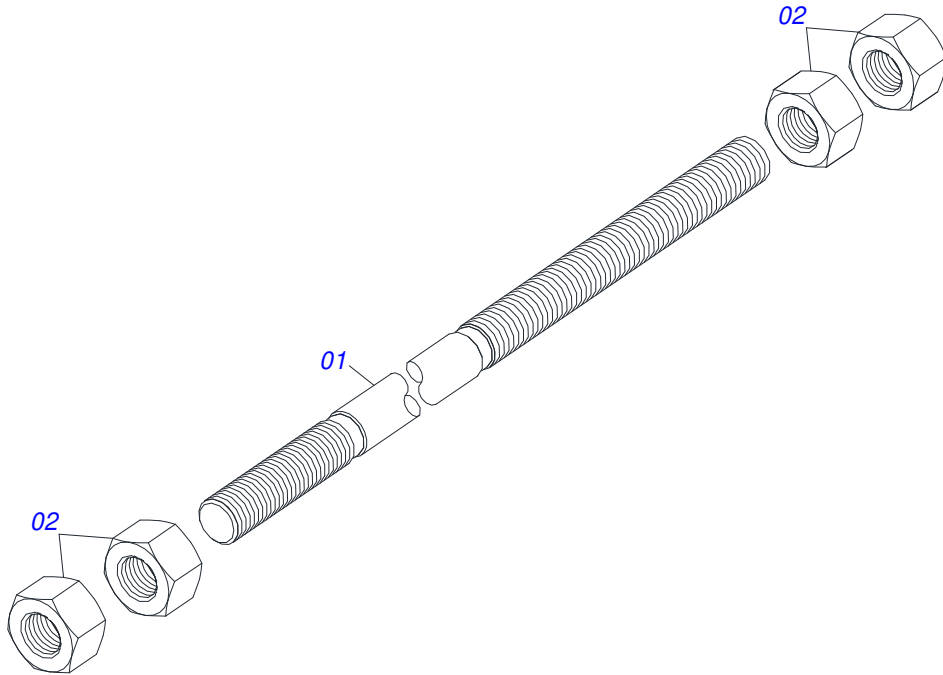
Item	Code	Description	See page	QT
01	0503033429	ADHESIVE LABEL		01
02	0503031087	ADHESIVE LABEL		01
03	0503034078	LIFTING POINTS DECAL		01
04	0503036241	ADHESIVE LABEL SAFETY CAUTION SHOCK HAZARD		01



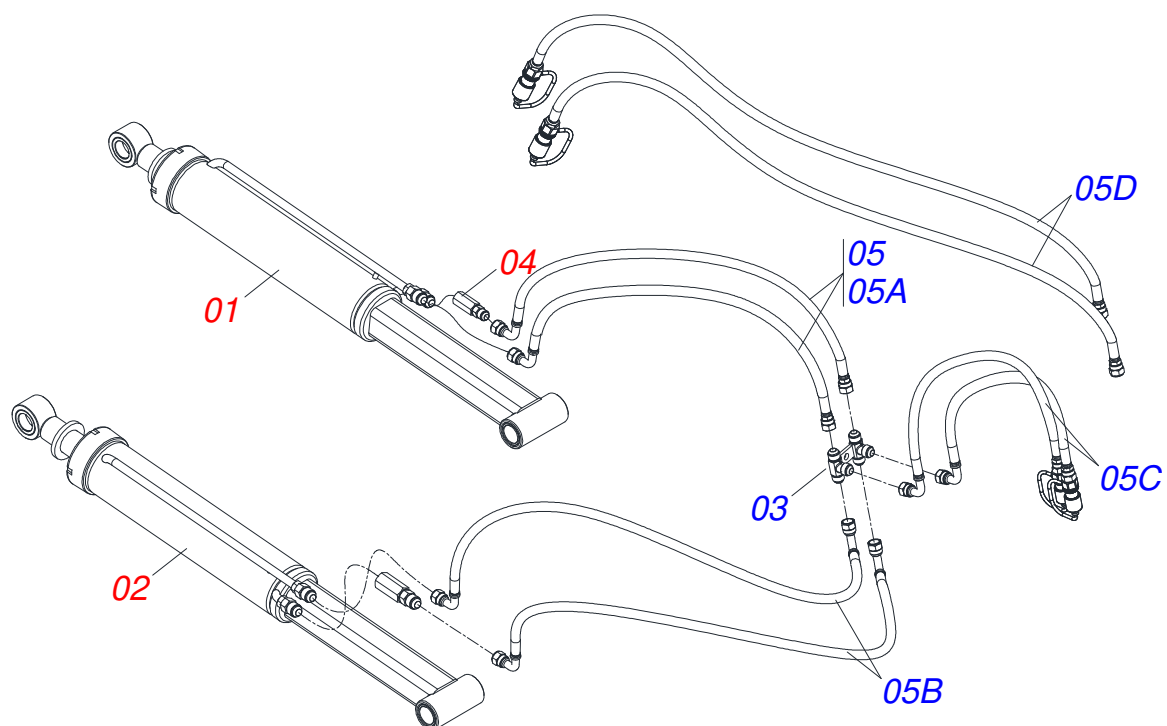
Item	Code	Description	See page	QT
01	0521044193	1.1/4 NC X 1810 FULL ROD	9	02
02	0501041849	ASSY 1.1/4 NC X 910 ROD	10	01
03	0581018320	SIDE SUPPORT		02
04	0521061747	RIGHT FIXER MOBILE SUPPORT GUIDE		01
05	0521061748	LEFT FIXER MOBILE SUPPORT GUIDE		01
06	0561016760	PUMP PROTECTION		01
07	0531065319	RIGHT SUPPORT		01
08	0531065320	LEFT SUPPORT		01
09	0531065464	BATTERY SUPPORT		02
10	0531065463	RIGHT TANK FIXER BRACKET		01
11	0501218210	TANK FIXER SUPPORT SUPPORT		01
12	0531065316	FRAME RIGHT SUPPORT		01
13	0531065315	FRAME LEFT SUPPORT		01
14	0501218177	FRAME SUPPORT		02
15	0501218185	SUPPORT RIGHT PIPE PROTECTION		01
16	0501218092	SUPPORT LEFT PIPE PROTECTION		01
17	0501218155	1.1/4 UNF X 216 SCREW		04
18	0501219692	1.1/4 UNF X 98 BOLT		02
19	0501216423	WASHER HEX 37,8 X 58 X 9,50		06
20	0501217728	LOCK FOR TRANSPORTATION		02
21	0501010574	FLAT WASHER		04
22	0581013663	MALE/FEMALE ADAPTER		01
23	0541013227	22 X 27 X 15 BUSHING		02
24	0502010477	HOSE CLAMP		05
25	0909096823	HYDRAULIC CIRCUIT	11	01
26	0511033325	PACKED PARTS	15	01
27	0511033668	BAG WITH INSTRUCTION MANUAL		01
28	0581010090	SPRING PROTECTION PLASTIC HOSE		02
29	0501068213	5/8" WRENCH DOUBLE		01
30	0501061617	1" GANG BOLT WRENCH		01
31	0501068994	8,30 X 78 LOCK PIN		02



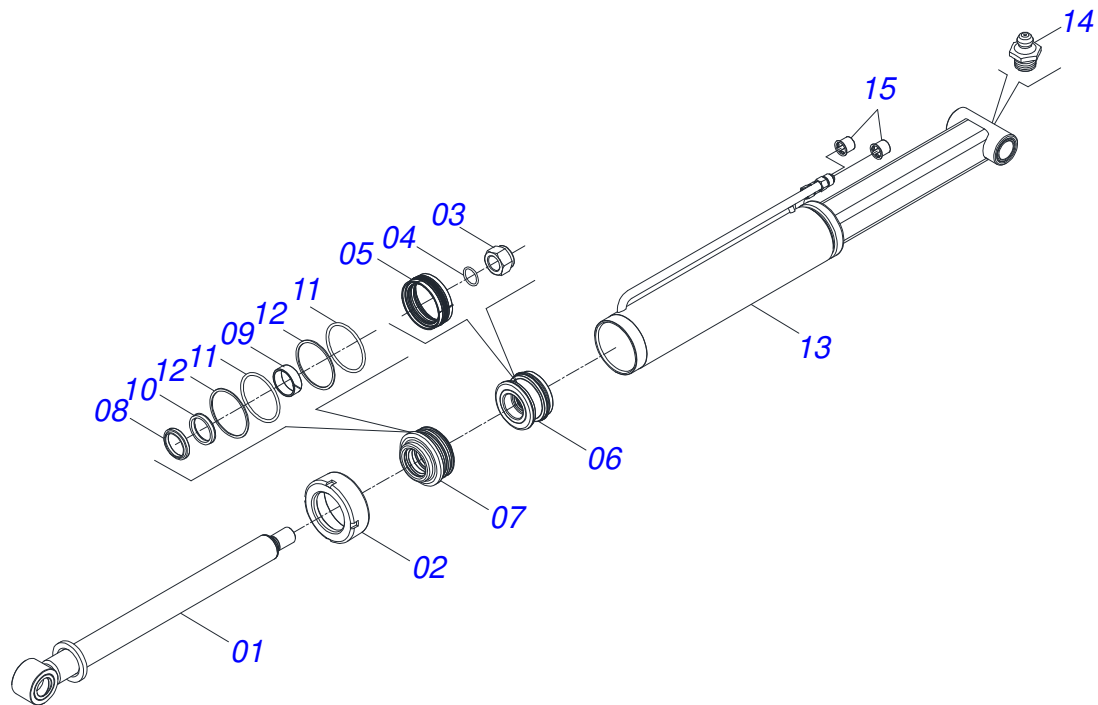
Item	Code	Description	See page	QT
01	0571016063	1.1/4X1810 ROD		01
02	0501010087	1.1/4" NUT		04
03	0502012180	CONICAL SPRING WASHER		02



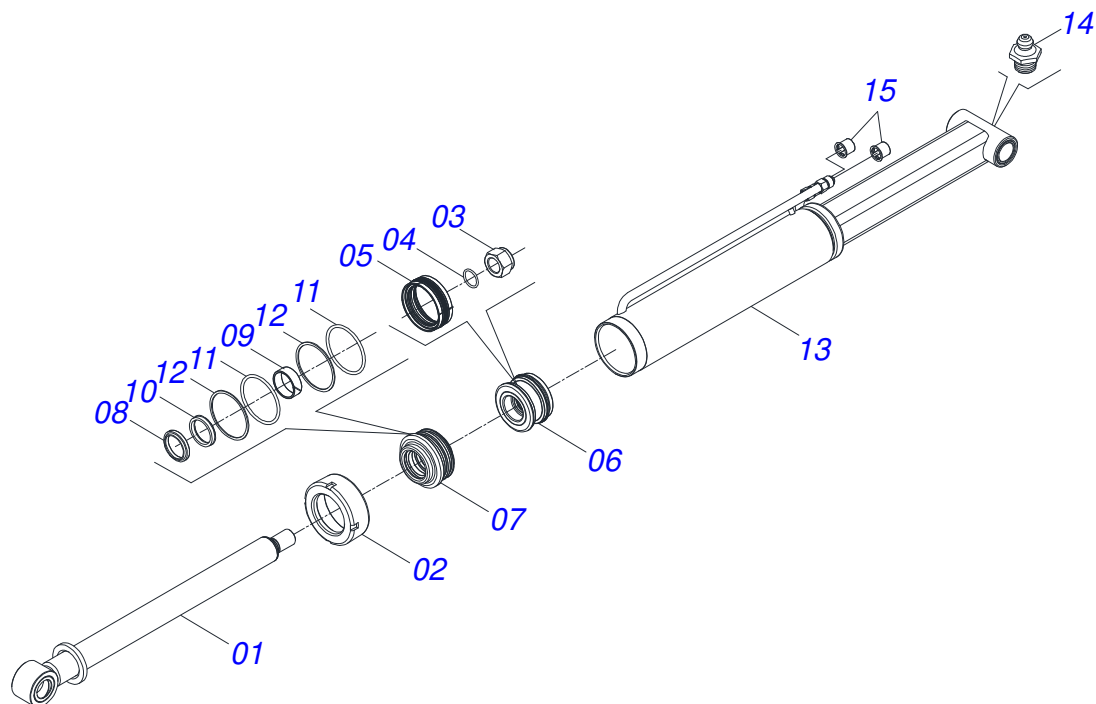
Item	Code	Description	See page	QT
01	0501014914	1.1/4" X 910 ROD		01
02	0501010087	1.1/4" NUT		04



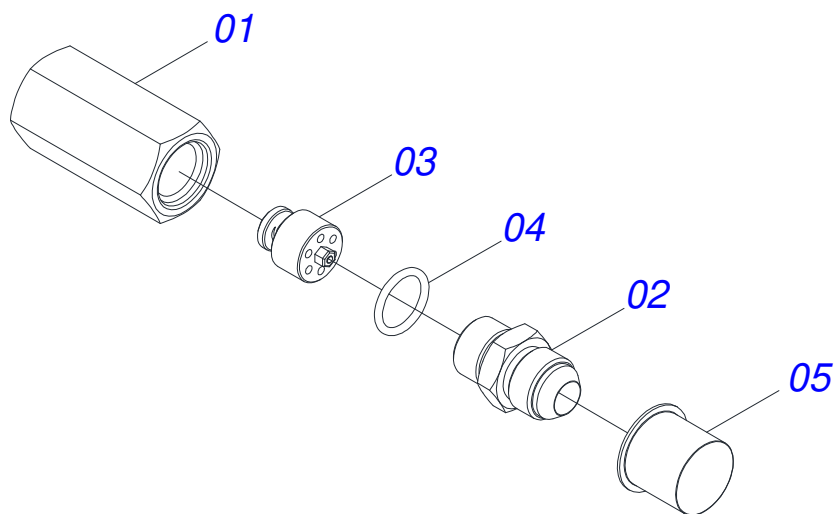
Item	Code	Description	See page	QT
01	0521051770	HYDRAULIC CYLINDER	12	01
02	0521051768	HYDRAULIC CYLINDER	13	01
03	0521064869	7/8UNF JIC OIL DISTRIBUTOR		01
04	0511054457	ASSY SAFETY VALVE	14	02
05	0521051787	HOSE KIT		01
05A	0501080060	1/2" X 63" TR-TC HOSE		02
05B	0501080137	1/2 X 3000 TC-TC HOSE		02
05C	0501080110	HOSE 1/2 X 3100		02
05D	0501082139	HOSE 1/2 X 6500 TM-TM		02



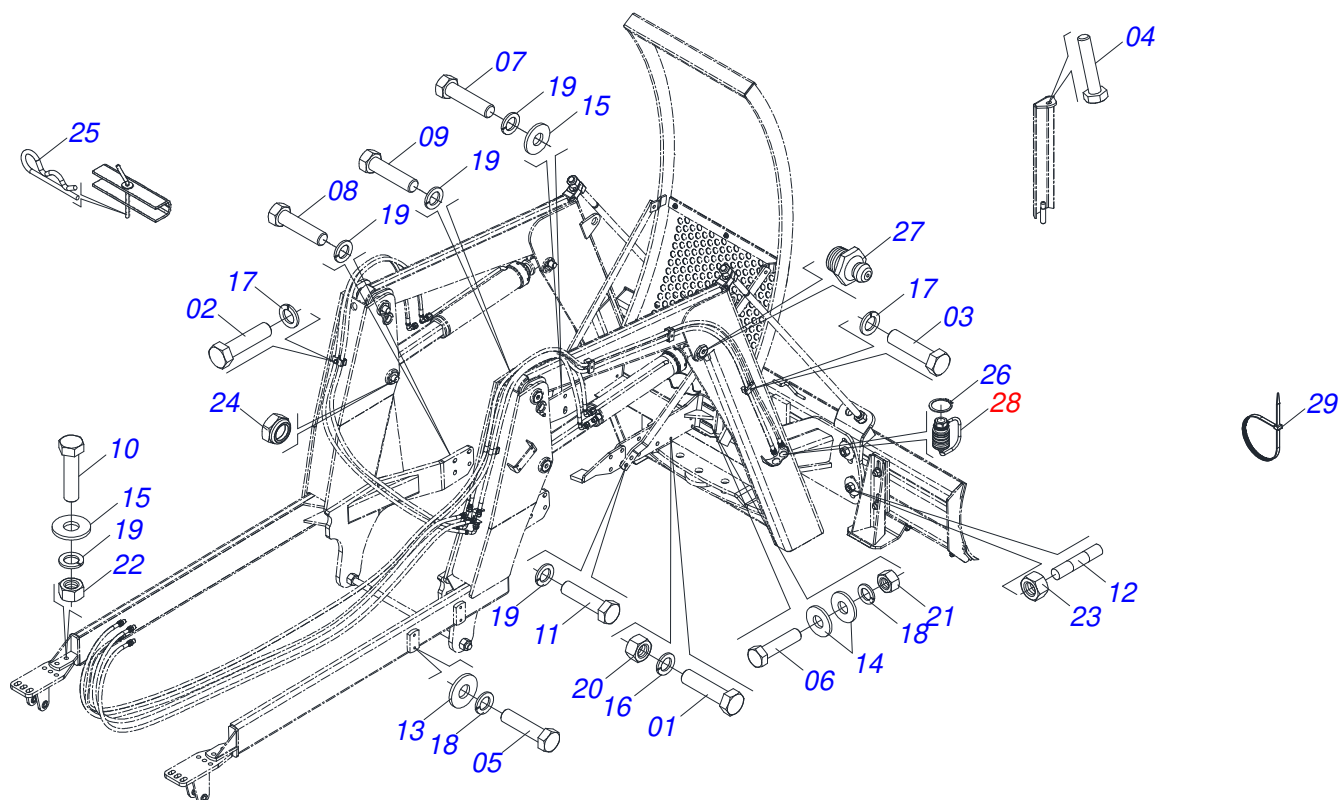
Item	Code	Description	See page	QT
01	0521068132	TURNBUCKLE		01
02	0502012822	101.60 END CAP		01
03	0503010817	1.1/4" SELF LOCKING NUT		01
04	0503010345	2-218 N 3006-9B O'RING		01
05	0503015633	SELEMASTER SEALING		01
06	0502012842	50,80 X 101,60 PISTON		01
07	0581010678	50,80 X 101 RING SUPPORT		01
08	0503015636	SCRAPER SEAL		01
09	0503018025	RING GUIDE		01
10	0503018026	1870-2000-375 B GASKET		01
11	0503010338	2-342 N 3006-9B O'RING		02
12	0503011061	8-342 BACK-UP RING		02
13	0521068134	CYLINDER CASE		01
14	0503010002	1800 GREASE FITTING		02
15	0503030387	PLUG		02



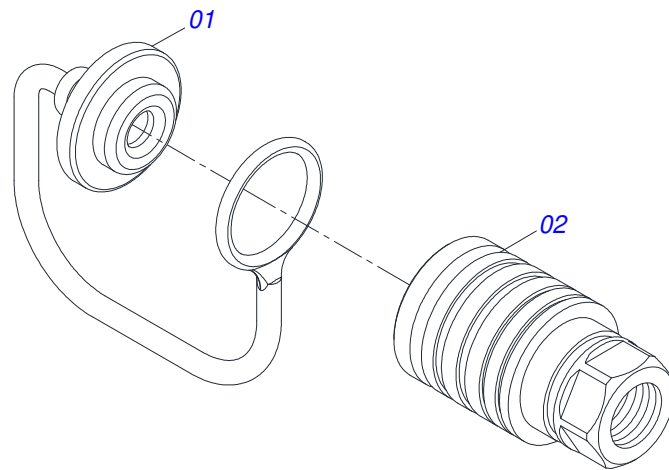
Item	Code	Description	See page	QT
01	0521068132	TURNBUCKLE		01
02	0502012822	101.60 END CAP		01
03	0503010817	1.1/4" SELF LOCKING NUT		01
04	0503010345	2-218 N 3006-9B O'RING		01
05	0503015633	SELEMASTER SEALING		01
06	0502012842	50,80 X 101,60 PISTON		01
07	0581010678	50,80 X 101 RING SUPPORT		01
08	0503015636	SCRAPER SEAL		01
09	0503018025	RING GUIDE		01
10	0503018026	1870-2000-375 B GASKET		01
11	0503010338	2-342 N 3006-9B O'RING		02
12	0503011061	8-342 BACK-UP RING		02
13	0521068133	CYLINDER CASE		01
14	0503010002	1800 GREASE FITTING		02
15	0503030387	PLUG		02



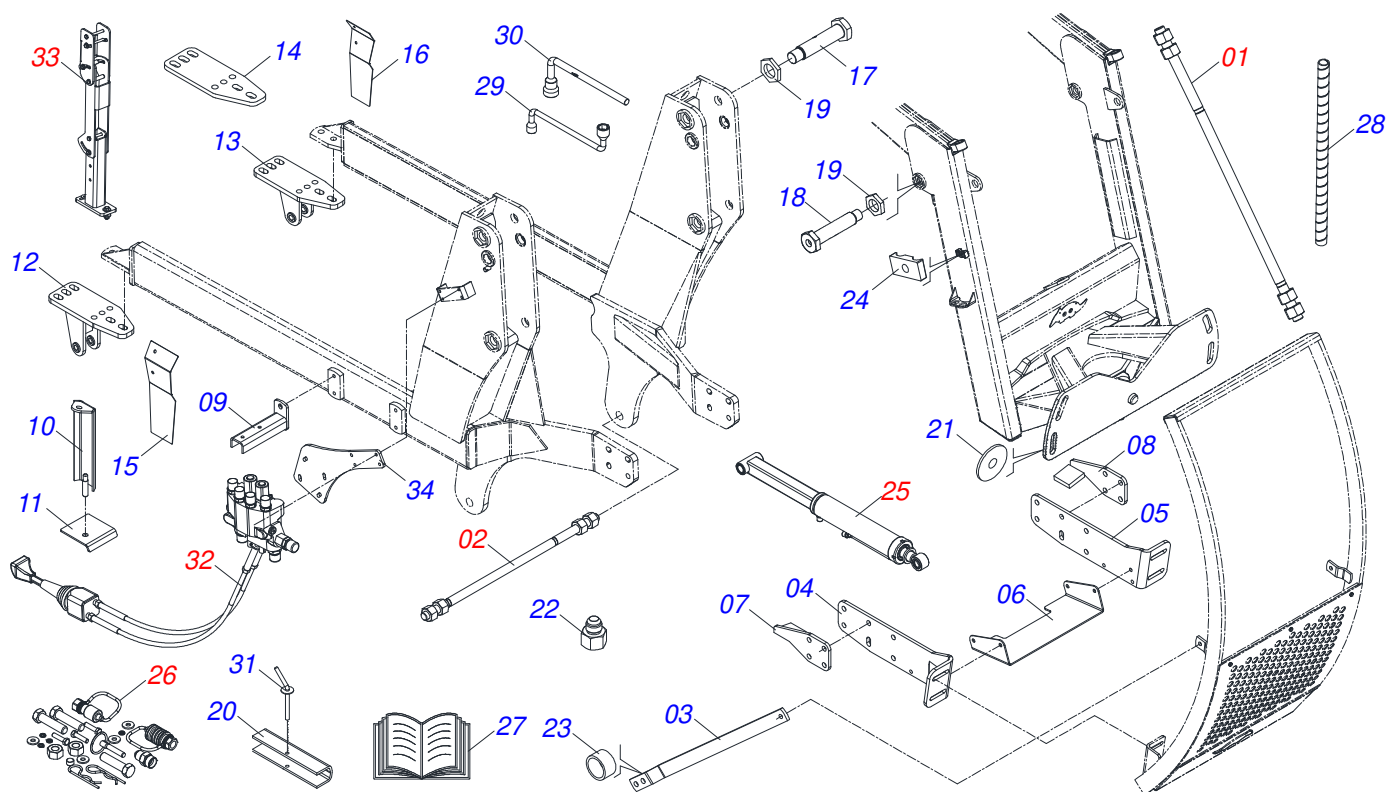
Item	Code	Description	See page	QT
01	0581014053	1/2 BSP X 7/8 UNF JIC X 64 ADAPTER		01
02	0581014052	1/2 BSP X 7/8 UNF JIC X 43 NIPLE		01
03	0503016854	SAFETY VALVE		01
04	0503010045	O'RING		01
05	0503030387	PLUG		01



Item	Code	Description	See page	QT
01	0503010849	3/8" X 1-1/2" BOLT		04
02	0503011135	BOLT		02
03	0503012555	SCREW 7/16 UNC X 2 CS RT G.7 ZN		04
04	0503013793	M10 X 1,5 X 95 BOLT		01
05	0503010962	5/8" X 1-1/4" BOLT		04
06	0501010100	SCREW 5/8 UNC X 2 CS G.5 ZN		06
07	0501010098	3/4" UNC BOLT		04
08	0503013390	3/4" UNC BOLT		08
09	0501010125	3/4" X 2-1/2" BOLT		02
10	0503013394	3/4" X 3" BOLT		04
11	0503011246	3/4" X 3-1/2" BOLT		02
12	0561016755	PRISONER 1 UNC X 1 UNC X 76 ZN		04
13	0501010301	FLAT WASHER		04
14	0501012140	FLAT WASHER		08
15	0501010322	FLAT WASHER		06
16	0503010025	3/8 SPRING WASHER		05
17	0503010180	7/16" SPRING WASHER		05
18	0503010027	5/8 SPRING WASHER		10
19	0503010023	3/4" SPRING WASHER		20
20	0503010026	3/8" NUT		05
21	0503010013	5/8 NUT		06
22	0503010014	3/4" HEX NUT		04
23	0501010059	1.5/8 NUT		04
24	0503010044	1-1/4" SELF LOCKING NUT		06
25	0503030012	HITCH PIN CLIP		02
26	0503010217	501040 CLAMPING RING (FOR AXLE)		04
27	0503010002	1800 GREASE FITTING		06
28	0501053835	FEMALE QUICK COUPLER	16	02
29	0503013527	CLAMP ZIPER		10



Item	Code	Description	See page	QT
01	0503011883	QUICK CONNECTION COVER		01
02	0503011628	FEMALE QUICK COUPLER		01



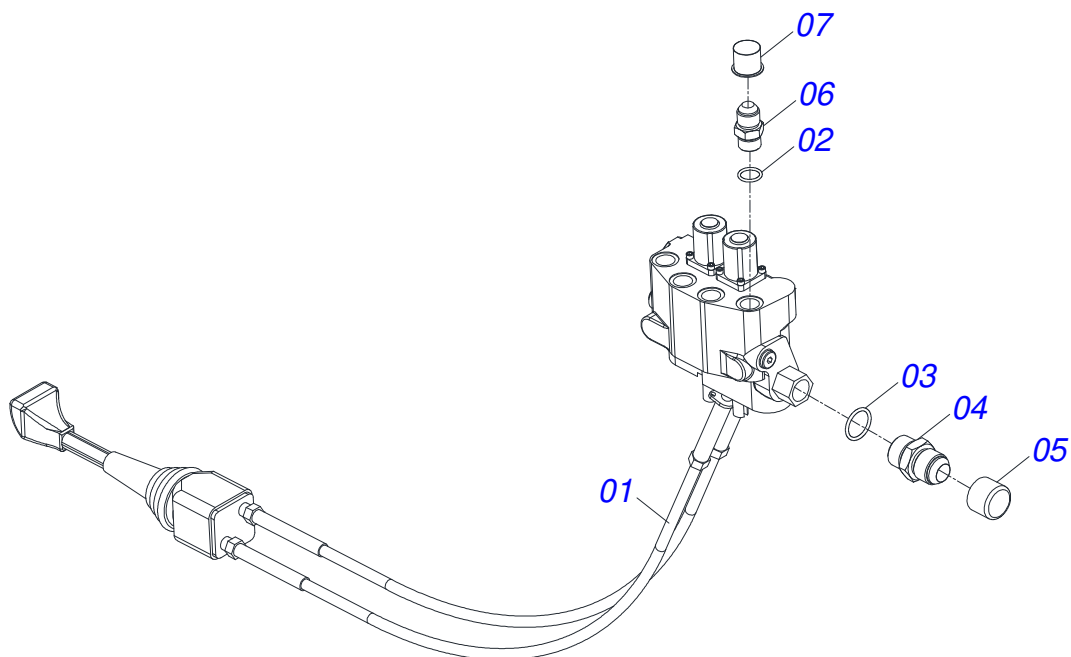
Item	Code	Description	See page	QT
01	0521044193	1.1/4 NC X 1810 FULL ROD	9	02
02	0501041849	ASSY 1.1/4 NC X 910 ROD	10	01
03	0581018320	SIDE SUPPORT		02
04	0521061747	RIGHT FIXER MOBILE SUPPORT GUIDE		01
05	0521061748	LEFT FIXER MOBILE SUPPORT GUIDE		01
06	0561016760	PUMP PROTECTION		01
07	0531065319	RIGHT SUPPORT		01
08	0531065320	LEFT SUPPORT		01
09	0531065464	BATTERY SUPPORT		02
10	0531065463	RIGHT TANK FIXER BRACKET		01
11	0501218210	TANK FIXER SUPPORT SUPPORT		01
12	0531065316	FRAME RIGHT SUPPORT		01
13	0531065315	FRAME LEFT SUPPORT		01
14	0501218177	FRAME SUPPORT		02
15	0501218185	SUPPORT RIGHT PIPE PROTECTION		01
16	0501218092	SUPPORT LEFT PIPE PROTECTION		01
17	0501218155	1.1/4 UNF X 216 SCREW		04
18	0501219692	1.1/4 UNF X 98 BOLT		02
19	0501216423	WASHER HEX 37,8 X 58 X 9,50		06
20	0501217728	LOCK FOR TRANSPORTATION		02
21	0501010574	FLAT WASHER		04
22	0581013663	MALE/FEMALE ADAPTER		01
23	0541013227	22 X 27 X 15 BUSHING		02
24	0502010477	HOSE CLAMP		05
25	0909096824	HYDRAULIC CIRCUIT	21	01
26	0511033326	PACKED PARTS	20	01
27	0511033668	BAG WITH INSTRUCTION MANUAL		01
28	0581010090	SPRING PROTECTION PLASTIC HOSE		02
29	0501068213	5/8" WRENCH DOUBLE		01
30	0501061617	1" GANG BOLT WRENCH		01
31	0501068994	8,30 X 78 LOCK PIN		02



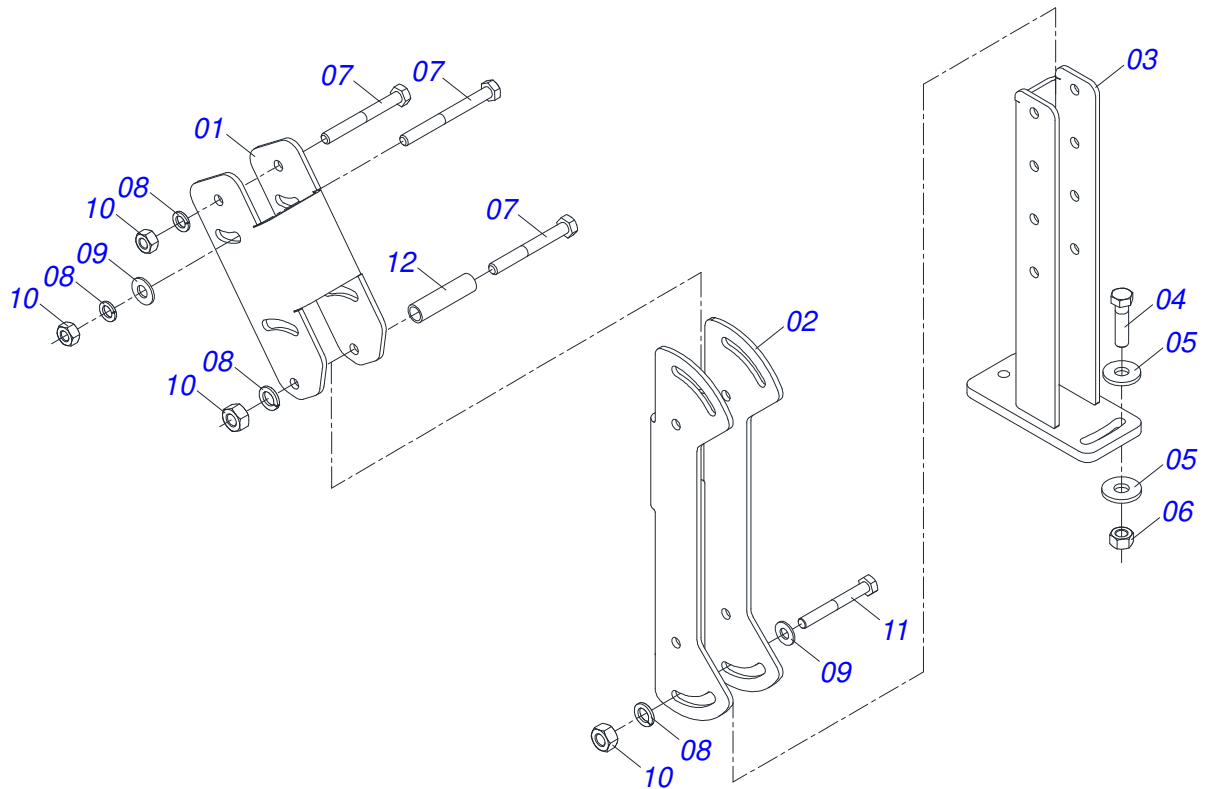
BOX WITH COMPONENTS

0521024975

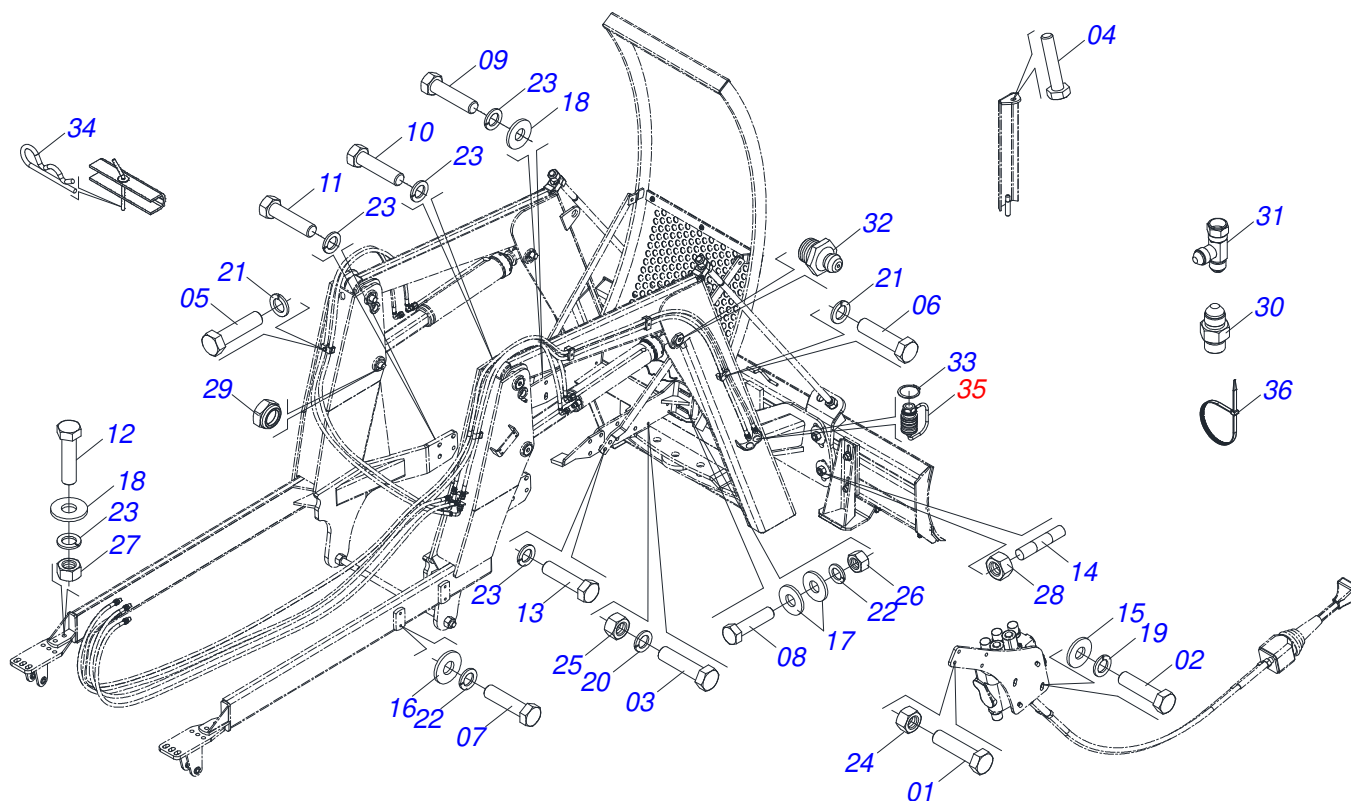
Item	Code	Description	See page	QT
32	0521053886	HYDRAULIC COMMAND	18	01
33	0531044005	SET SUPPORT JOY STICK	19	01
34	0501218193	COMMAND SUPPORT		01



Item	Code	Description	See page	QT
01	0503062415	COMPLETE JOYSTICK CONTROL SDM122/2		01
02	0503010045	O'RING		04
03	0503011109	2-119 N 3006-9B O'RING		03
04	0501010589	R. 1.1/16UN SEXT 1.1/4 X 52 NIPPLE		03
05	0503030388	PLUG N-005		03
06	0501010590	NIPPLE		04
07	0503030387	PLUG		04



Item	Code	Description	See page	QT
01	0501217764	UPPER BODY JOYSTICK SUPPORT		01
02	0501217765	CENTRAL BODY JOYSTICK SUPPORT		01
03	0531065170	JOYSTICK BOTTOM SUPPORT		01
04	0503010849	3/8" X 1-1/2" BOLT		02
05	0501010984	10,50 X 27 X 3,00 FLAT WASHER		04
06	0503010026	3/8" NUT		02
07	0503010848	5/16" X 3.1/2" BOLT		04
08	0503010179	LOCK WASHER 5/16 ZN 1K01528		06
09	0501010694	FLAT WASHER		06
10	0503010337	5/16" NUT		06
11	0503011053	5/16" X 3" C S 6.5 ZN BOLT		02
12	0541015551	0.39" X 0.512" X 1.9" SLEEVE		02



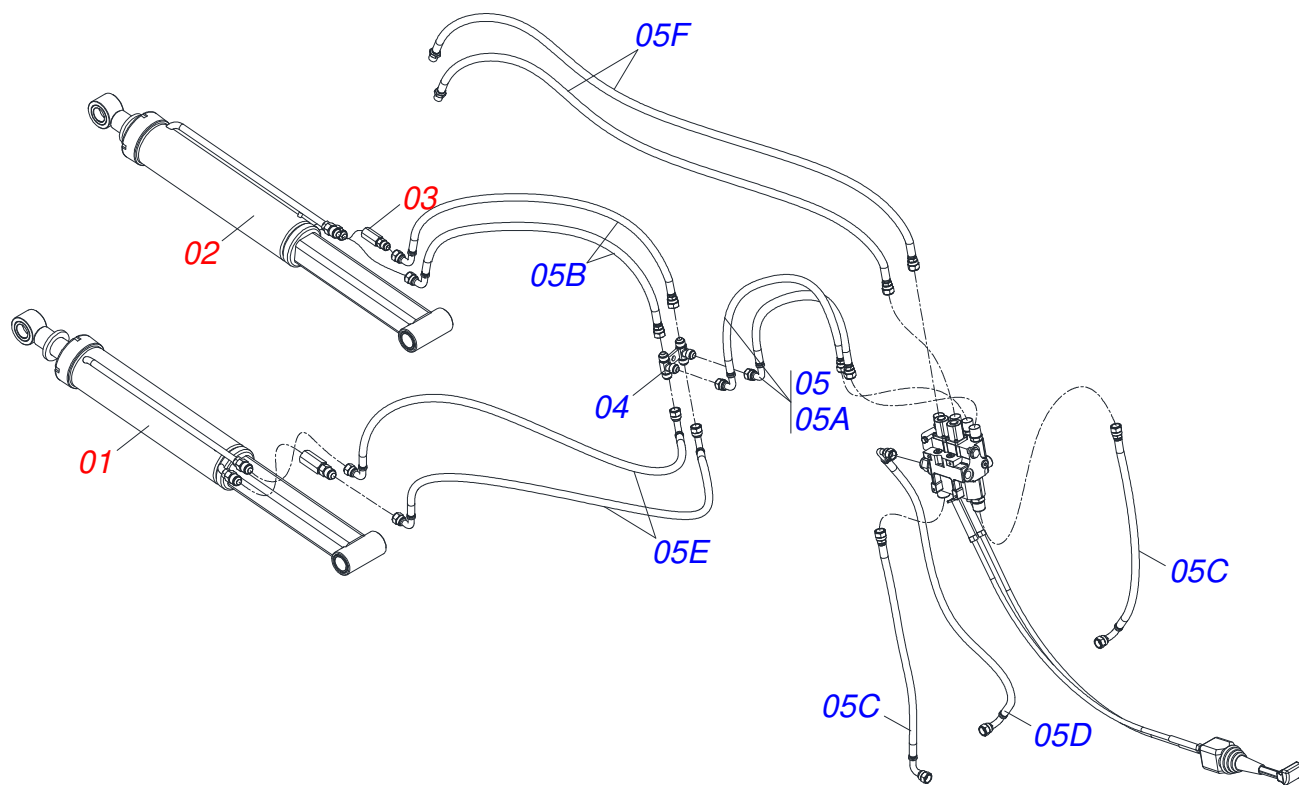
Item	Code	Description	See page	QT
01	0503010371	5/16" X 1" BOLT	04	
02	0503011295	M 8 X 1,25 X 25 BOLT	04	
03	0503010849	3/8" X 1-1/2" BOLT	04	
04	0503013793	M10 X 1,5 X 95 BOLT	01	
05	0503011135	BOLT	03	
06	0503012555	SCREW 7/16 UNC X 2 CS RT G.7 ZN	03	
07	0503010962	5/8" X 1-1/4" BOLT	04	
08	0501010100	SCREW 5/8 UNC X 2 CS G.5 ZN	06	
09	0501010098	3/4" UNC BOLT	04	
10	0501010125	3/4" X 2-1/2" BOLT	02	
11	0503013390	3/4" UNC BOLT	08	
12	0503013394	3/4" X 3" BOLT	04	
13	0503011246	3/4" X 3-1/2" BOLT	02	
14	0561016755	PRISONER 1 UNC X 1 UNC X 76 ZN	04	
15	0501010694	FLAT WASHER	04	
16	0501010301	FLAT WASHER	04	
17	0501012140	FLAT WASHER	08	
18	0501010322	FLAT WASHER	06	
19	0503014371	M8 SPRING WASHER	04	
20	0503010025	3/8 SPRING WASHER	05	
21	0503010180	7/16" SPRING WASHER	05	
22	0503010027	5/8 SPRING WASHER	10	
23	0503010023	3/4" SPRING WASHER	20	
24	0503010337	5/16" NUT	04	
25	0503010026	3/8" NUT	05	
26	0503010013	5/8 NUT	06	
27	0503010014	3/4" HEX NUT	04	
28	0501010059	1.5/8 NUT	04	
29	0503010044	1-1/4" SELF LOCKING NUT	06	
30	0503034737		01	
31	0503018944	ADAPTER T	01	



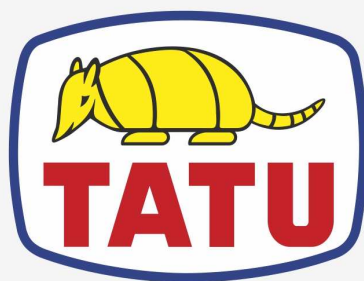
PD 1100
PACKED PARTS

Page 20
0511033326

Item	Code	Description	See page	QT
32	0503010002	1800 GREASE FITTING		06
33	0503010217	501040 CLAMPING RING (FOR AXLE)		04
34	0503030012	HITCH PIN CLIP		02
35	0501053835	FEMALE QUICK COUPLER	16	02
36	0503013527	CLAMP ZIPER		10



Item	Code	Description	See page	QT
01	0521051768	HYDRAULIC CYLINDER	13	01
02	0521051770	HYDRAULIC CYLINDER	12	01
03	0511054457	ASSY SAFETY VALVE	14	02
04	0521064869	7/8UNF JIC OIL DISTRIBUTOR		01
05	0521053855	HOSE SET		01
05A	0501080218	1/2 X 750 HOSE		02
05B	0501080060	1/2" X 63" TR-TC HOSE		02
05C	0501081321	3/4 X 2600 TR-TC HOSE CLAMP		02
05D	0501081047	3/4 X 2900 TC-TC HOSE		01
05E	0501080137	1/2 X 3000 TC-TC HOSE		02
05F	0501080959	1/2 X 3400 HOSE		02



MARCHESAN

Technical Publications | Elaboration and Revision

LORENA ROCHA ALVES

www.marchesan.com.br

