

**PD - FRONT LOADER**

**PD 1100**

**Code:** 0501093571  
**Series:** S-0717  
**Revision:** 00  
**Date Revision:** AGOSTO/2023

# PARTS CATALOGUE



**MARCHESAN**



# PRODUCTS

Code	Description
0106020484	PD 1100 S-0717
0106020485	PD 1100 S-0717

## ATTENTION: IMPORTANT

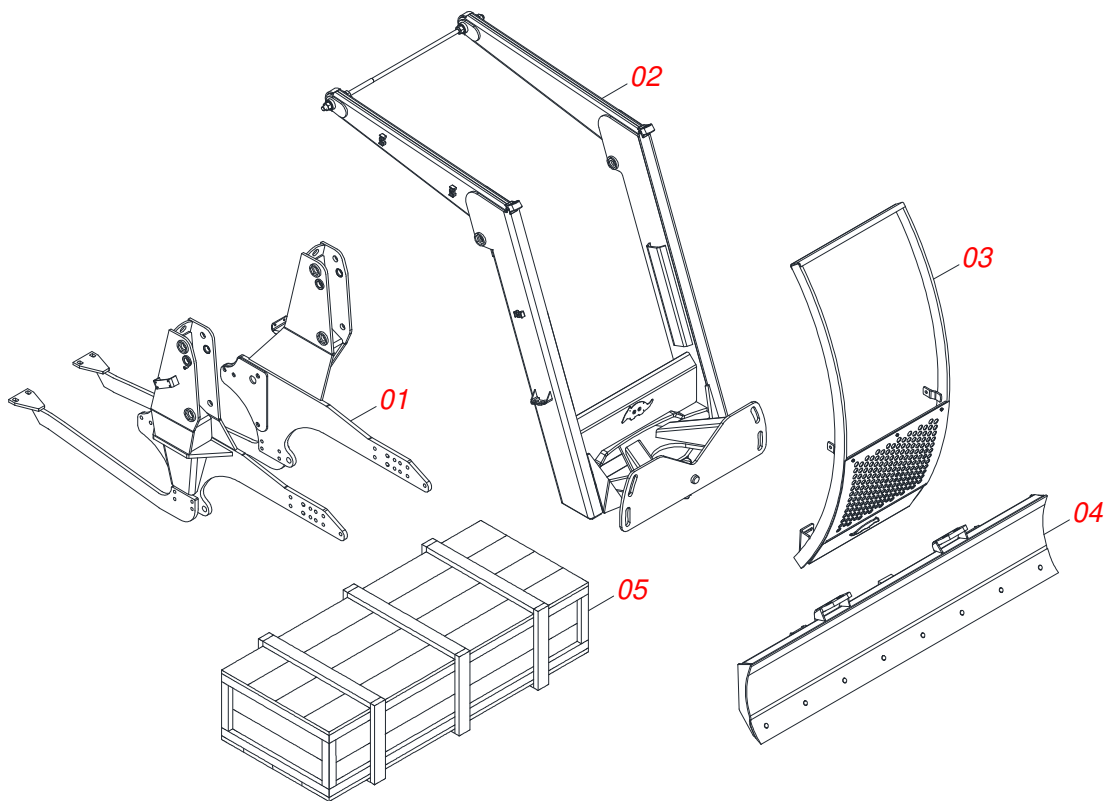
Marchesan S.A. reserves the right to improve and/or modify the technical features of its products, without obligation to do the same with those products already sold and without prior knowledge of the dealer or the customer. The photos are only illustrative.



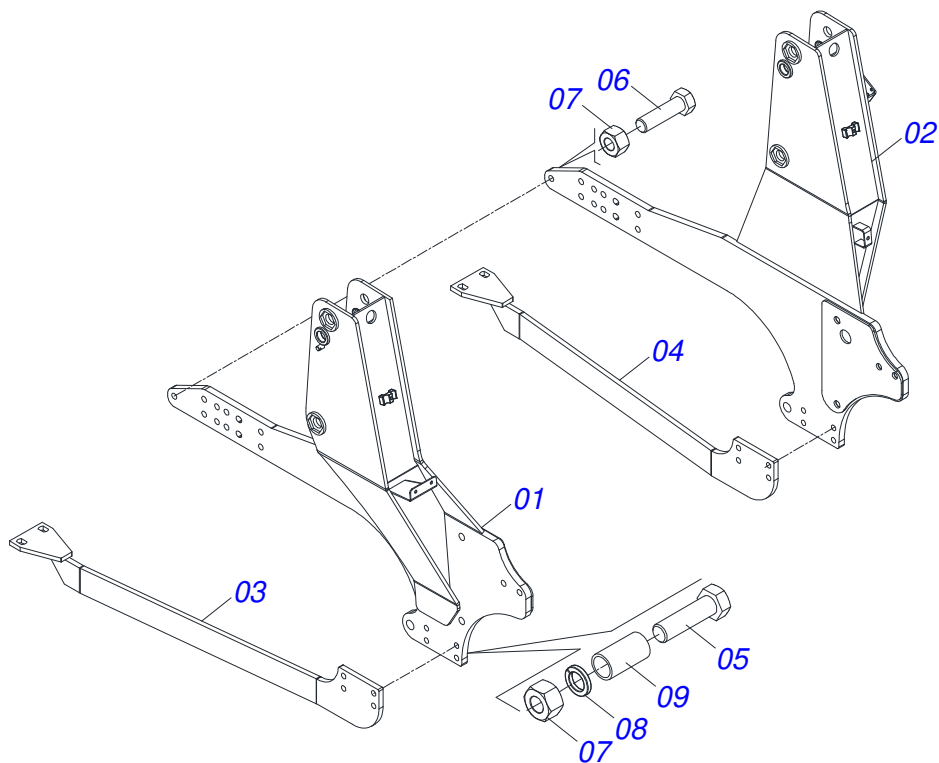
**MARCHESAN**

# INDEX

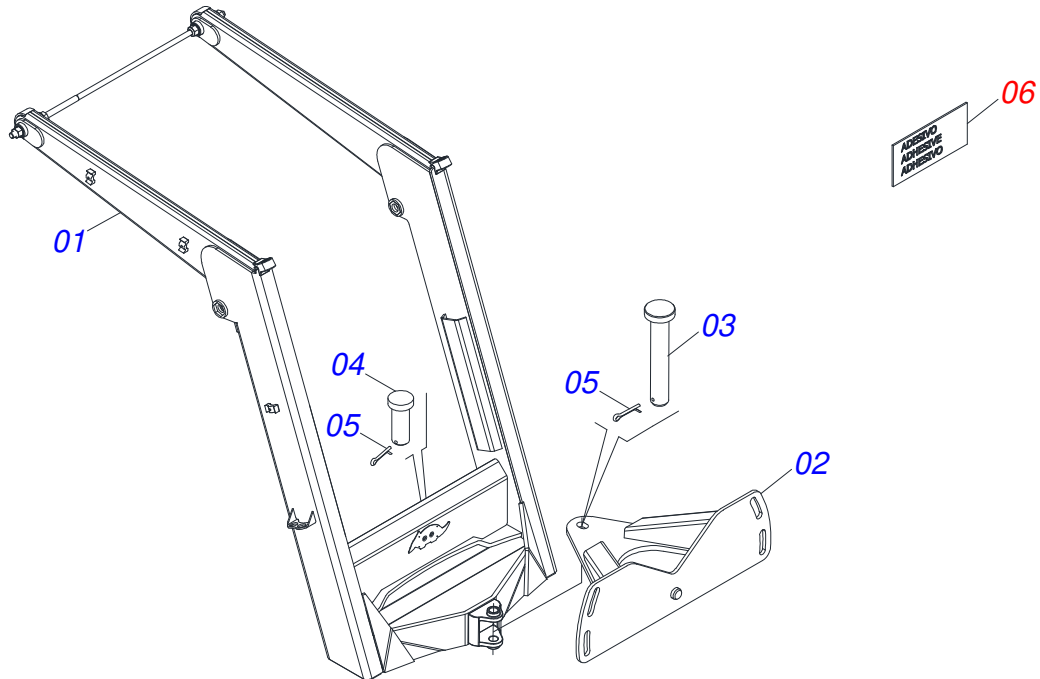
0909096817	PD 1100	.....	1
0531044075	FRAME SET WITH REAR BAR	.....	2
0521047673	MOBILE SUPPORT ASSY	.....	3
0909096822	DECAL SET	.....	4
0501048330	MOBILE SUPPORT GUIDE ASSY	.....	5
0511045456	2600 BLADE SUPPORT ASSY	.....	6
0501047710	2600MM BLADE SUPPORT ASSY	.....	7
0521023895	COMPONENT WITH BOX	.....	8
0521044193	1.1/4 NC X 1810 FULL ROD	.....	9
0501041652	FULL 1.1/4" X 31.88" ROD ASSY	.....	10
0909095942	HYDRAULIC SYSTEM	.....	11
0521051770	HYDRAULIC CYLINDER	.....	12
0521051768	HYDRAULIC CYLINDER	.....	13
0511054457	ASSY SAFETY VALVE	.....	14
0501053835	FEMALE QUICK COUPLER	.....	15
0501053834	MALE QUICK COUPLER	.....	16
0521023908	BOX WITH COMPONENTS	.....	17
0521045393	SET SUPPORT JOY STICK	.....	18
0521047684	JOYSTICK COMAND	.....	19
0521051796	HOSE SET	.....	20
0511032947	PACKED PARTS	.....	21



Item	Code	Description	See page	QT
01	0531044075	FRAME SET WITH REAR BAR	2	01
02	0521047673	MOBILE SUPPORT ASSY	3	01
03	0501048330	MOBILE SUPPORT GUIDE ASSY	5	01
04	0511045456	2600 BLADE SUPPORT ASSY	6	01
05	0521023895	COMPONENT WITH BOX	8	01
05.	0521023908	BOX WITH COMPONENTS	17	01



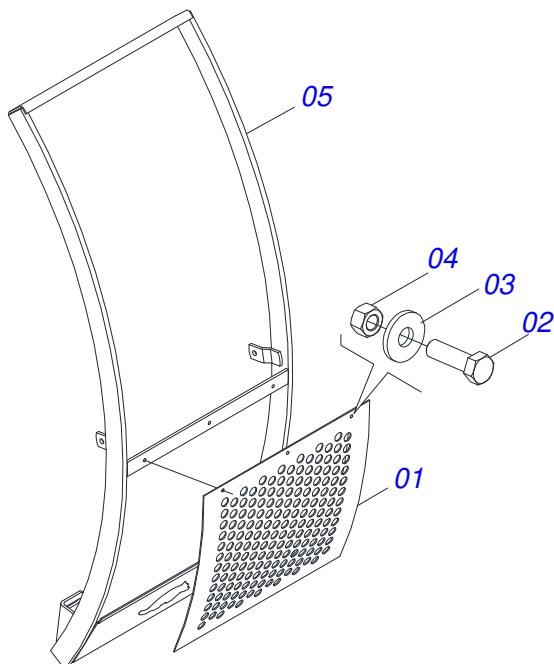
Item	Code	Description	See page	QT
01	0531064967	LEFT FRAME		01
02	0531064964	RIGHT FRAME		01
03	0531064971	LEFT REAR BAR		01
04	0531064970	RIGHT REAR BAR		01
05	0503011084	3/4" X 5" BOLT		04
06	0503010797	3/4" X 4" BOLT		02
07	0503010014	3/4" HEX NUT		06
08	0503010023	3/4" SPRING WASHER		04
09	0581015170	SLEEVE		04



Item	Code	Description	See page	QT
01	0521068135	MOBILE SUPPORT		01
02	0501062637	5/8" REGULATOR SUPPORT		01
03	0521010618	1.4" X 8.6" COUPLING SHAFT		01
04	0521010612	1.4" X 3.5" COUPLING SHAFT		01
05	0503010010	1/4" X 2.1/2" SPLIT PIN		02
06	0909096822	DECAL SET	4	01

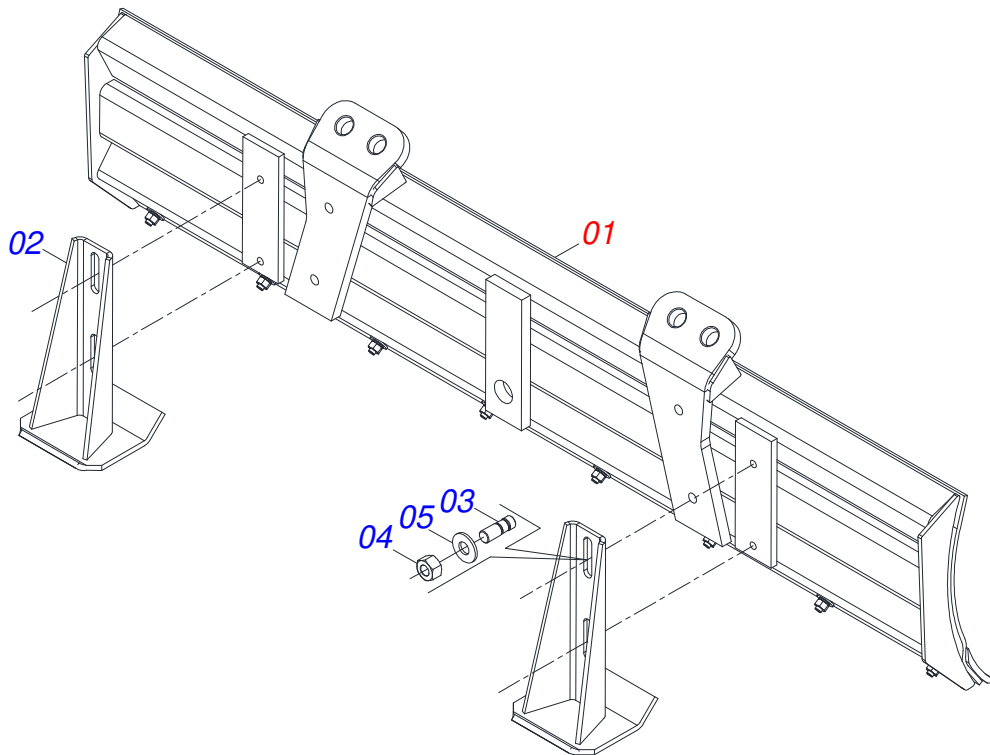


Item	Code	Description	See page	QT
01	0503034003	SERIAL NUMBER TAG 61 X 118		01
02	0503010001	3.2 X 5.5 RIVET		04
03	0503064057	ADHESIVE DECAL SET		01
04	0503031428	READ MANUAL DECAL		01
05	0503031827	LUBRICATE AND RETIGHTEN DAILY DECAL		01
06	0503034078	LIFTING POINTS DECAL		03
07	0503031087	ADHESIVE LABEL		01
08	0503036238	ADHESIVE LABEL SAFETY LOCKING HYDRAULIC CYLINDERS		01
09	0503036239	ADHESIVE LABEL ATTENTION FLUIDS WITH PRESSURE		01
10	0503036241	ADHESIVE LABEL SAFETY CAUTION SHOCK HAZARD		01

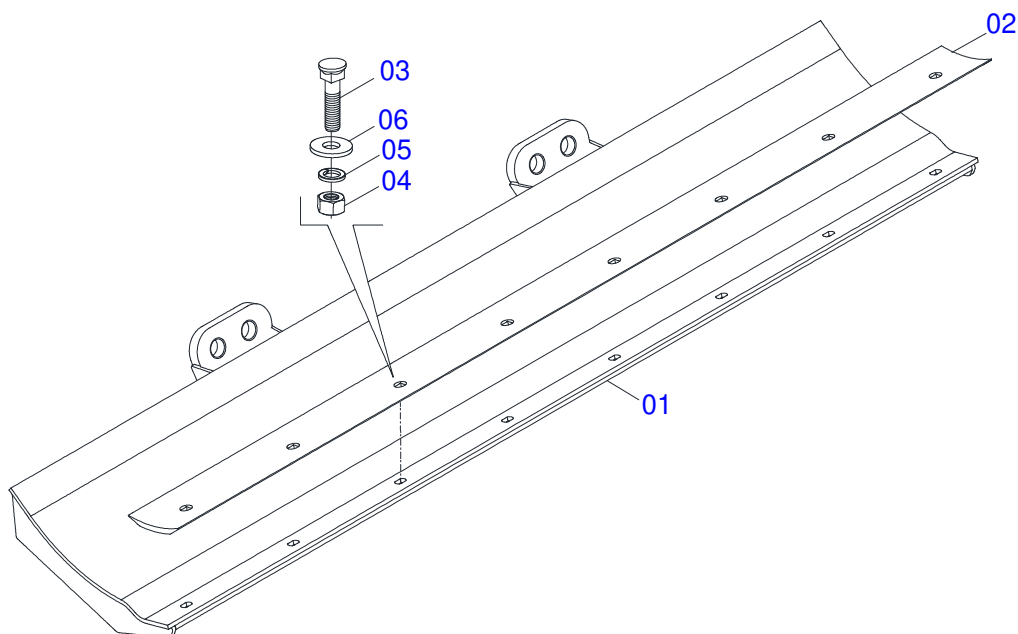


Item	Code	Description	See page	QT
01	0501014686	FRONT PROTECTION		01
02	0503010751	C3/8" X 1.1/4" HEX BOLT G.5		03
03	0501010984	10,50 X 27 X 3,00 FLAT WASHER		03
04	0503010026	3/8" NUT		03
05	0521064583	MOBILE SUPPORT GUIDE		01

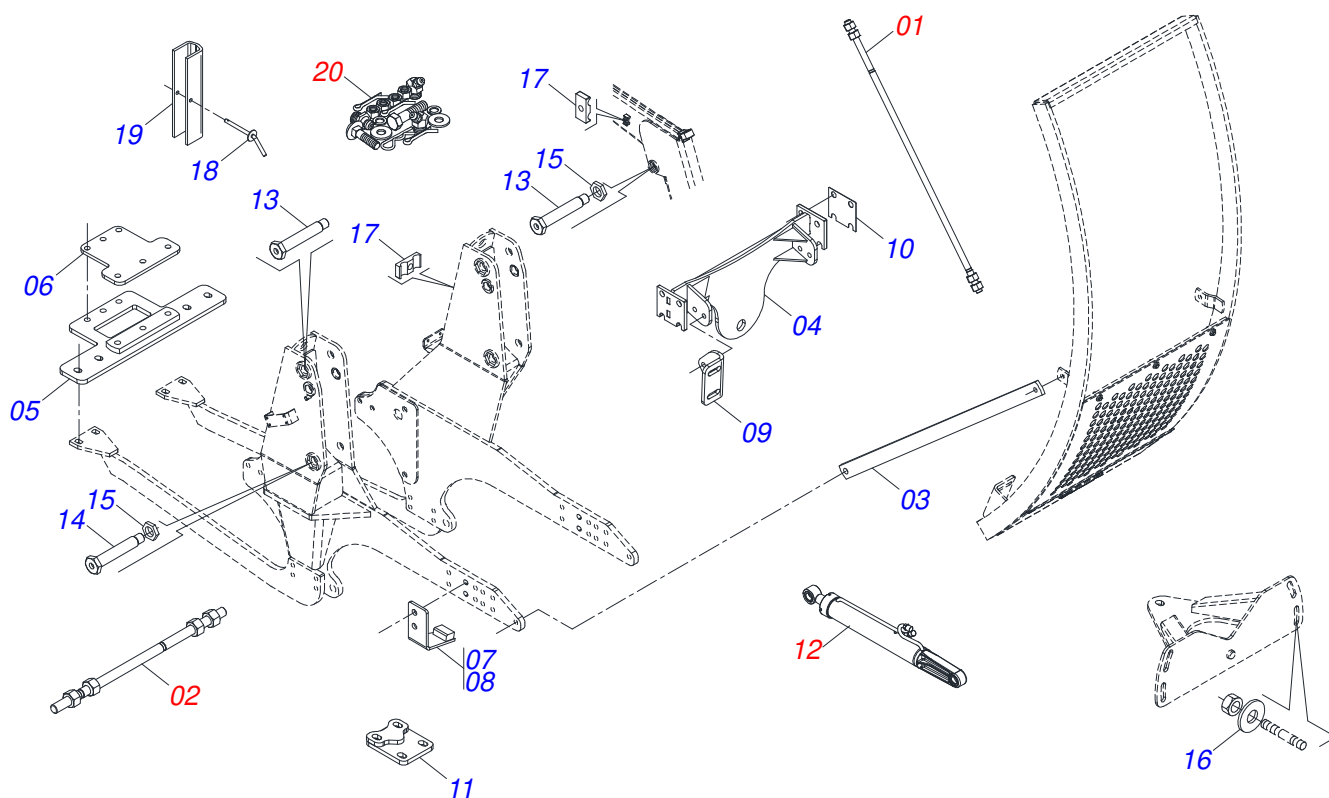




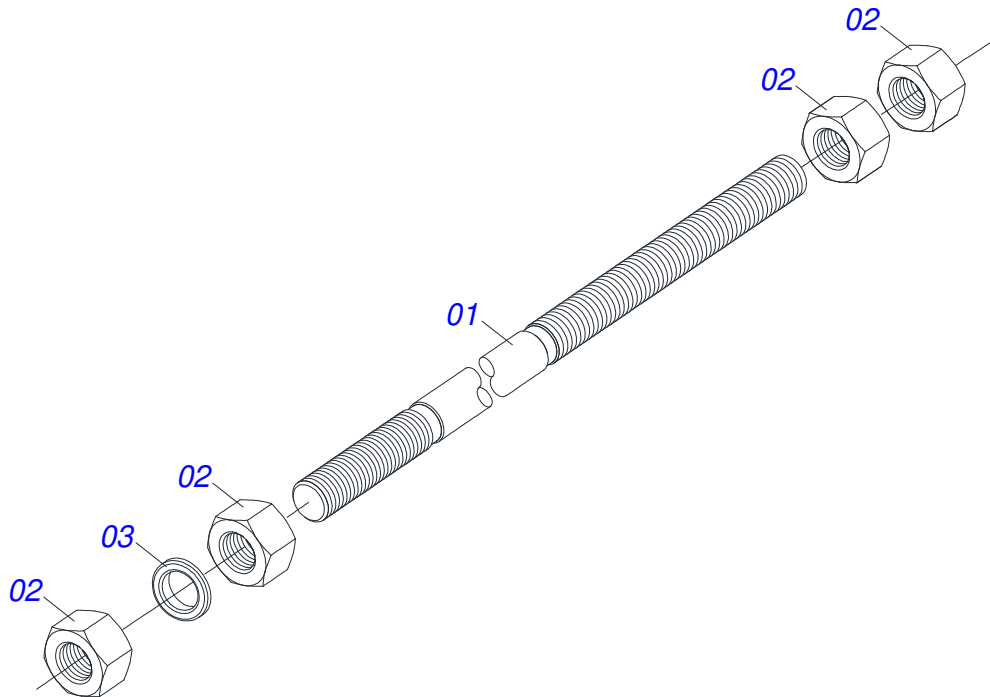
Item	Code	Description	See page	QT
01	0501047710	2600MM BLADE SUPPORT ASSY	7	01
02	0501063411	ESTABILIZER BRACKET		02
03	0561016756	3/4 UNC X 3/4 UNC X 56 PRISONER		04
04	0503010014	3/4" HEX NUT		08
05	0501010322	FLAT WASHER		04



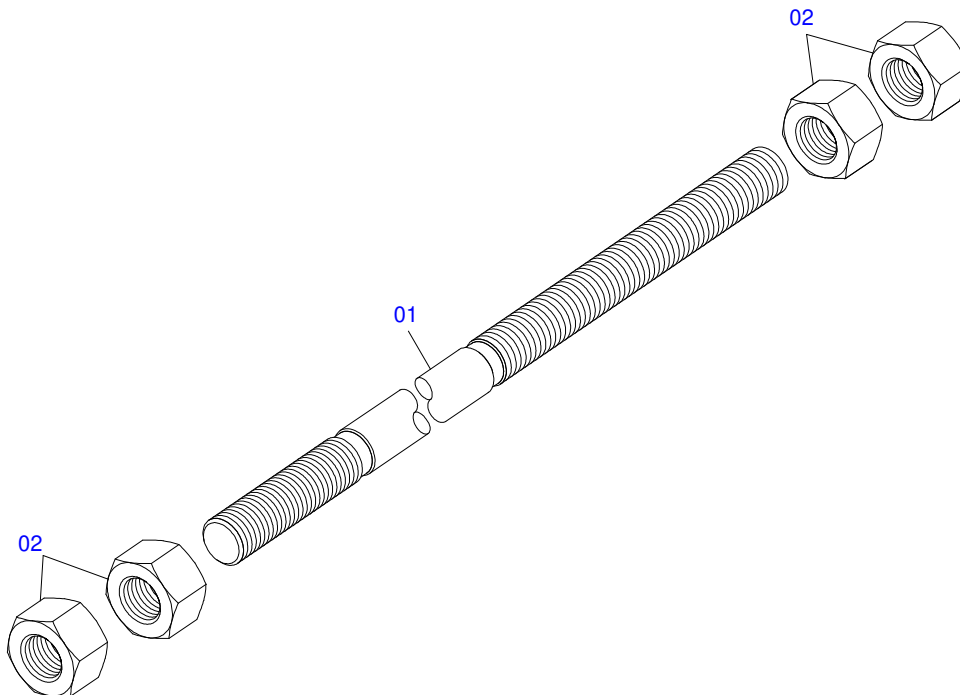
Item	Code	Description	See page	QT
01	0501068001	2590MM BLADE SUPPORT ASSY		01
02	0622360011	2600 SCRAPER REVERSIBLE		01
03	0501012240	BOLT		08
04	0503010013	5/8 NUT		08
05	0503010027	5/8 SPRING WASHER		08
06	0501010301	FLAT WASHER		08



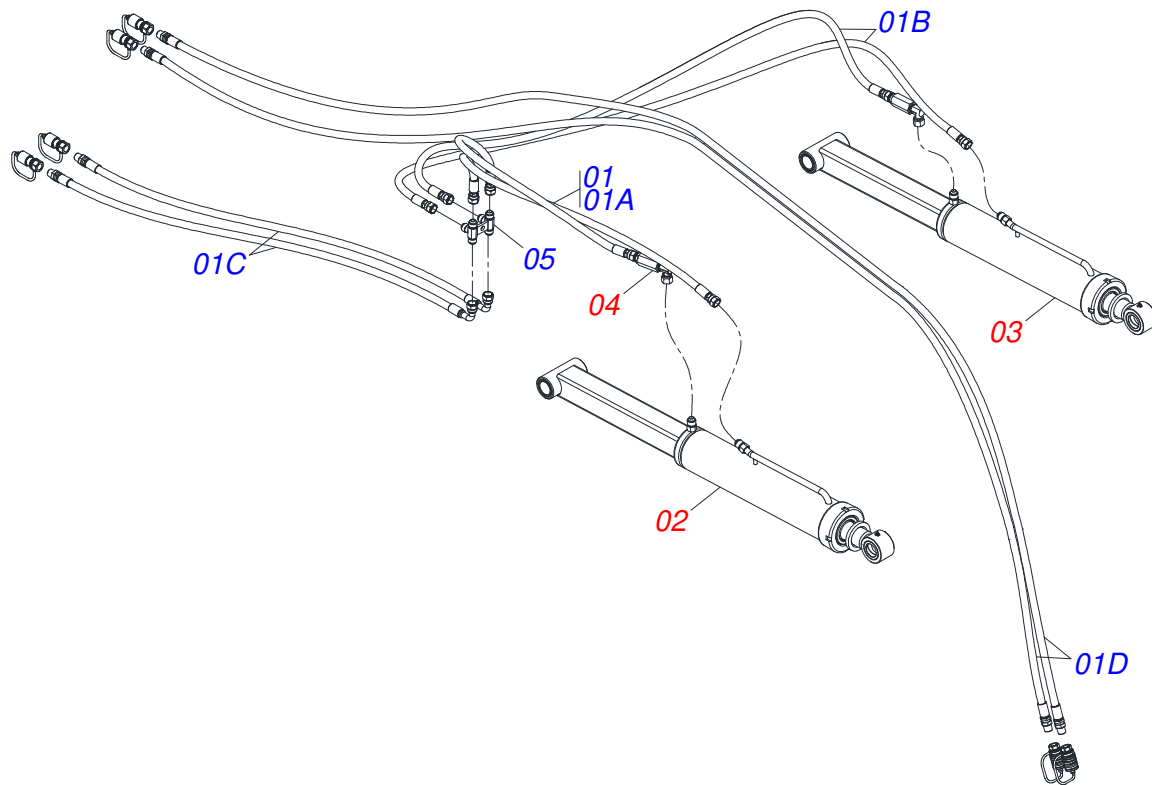
Item	Code	Description	See page	QT
01	0521044193	1.1/4 NC X 1810 FULL ROD	9	02
02	0501041652	FULL 1.1/4" X 31.88" ROD ASSY	10	01
03	0511013560	ATTACHMENT BAR		02
04	0521065156	MOBILE SUPPORT FIXER		01
05	0521065069	LOWER FIXING		01
06	0571016626	SUPPORT FIXER		01
07	0521065892	RIGHT BEATER		01
08	0521065895	LEFT BEATER		01
09	0571014003	FASTENING BRACKET OF THE HIGH GUIDE		02
10	0571017466	FIXING CHOCK		02
11	0531060479	ADAPTER		04
12	0909095942	HYDRAULIC SYSTEM	11	01
13	0581010693	BOLT		02
14	0581015228	BOLT		04
15	0581010243	WASHER HEX		06
16	0501010574	FLAT WASHER		04
17	0502010477	HOSE CLAMP		06
18	0501068994	8,30 X 78 LOCK PIN		02
19	0531017238	LOCK TRANSPORT		02
24	0511032944	PACKED PARTS		01



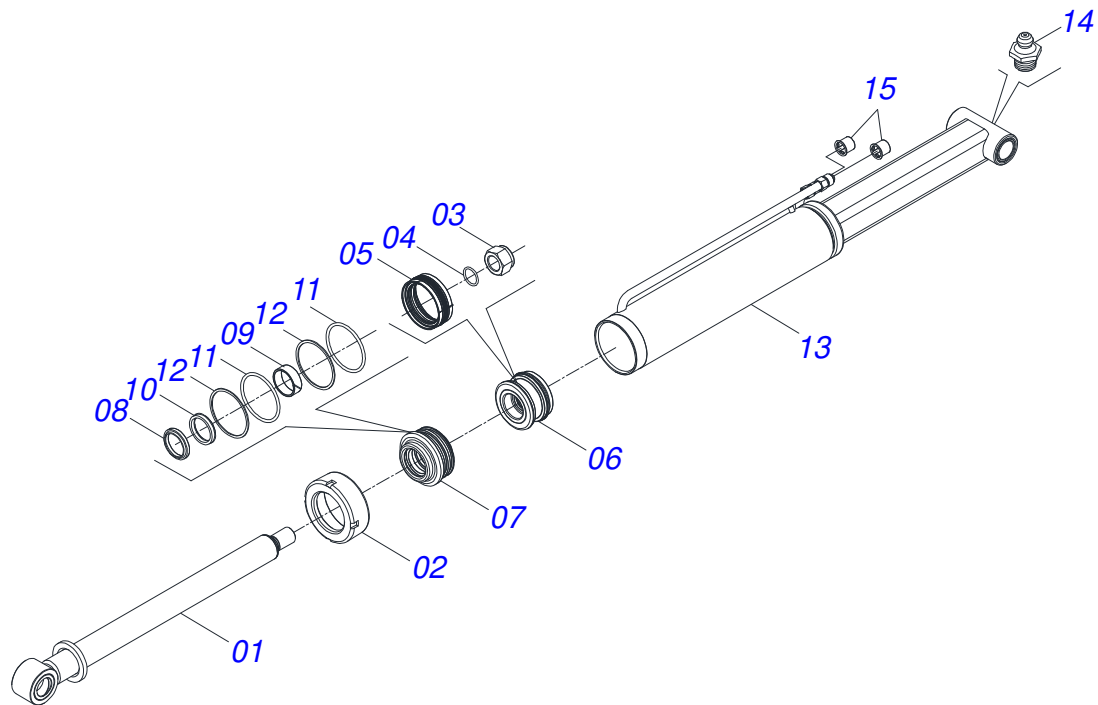
Item	Code	Description	See page	QT
01	0571016063	1.1/4X1810 ROD		01
02	0501010087	1.1/4" NUT		04
03	0502012180	CONICAL SPRING WASHER		02



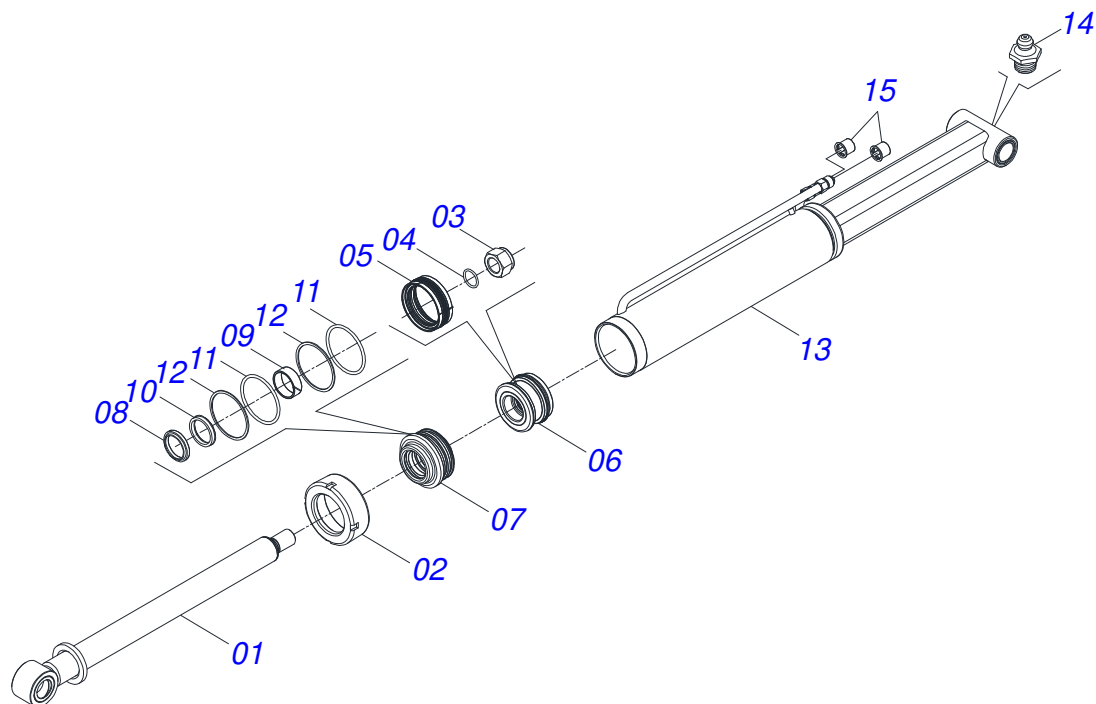
Item	Code	Description	See page	QT
01	0501014916	1.1/4" X 31.88" ROD		01
02	0501010087	1.1/4" NUT		04



Item	Code	Description	See page	QT
01	0521051787	HOSE KIT		01
01A	0501080060	1/2" X 63" TR-TC HOSE		02
01B	0501080137	1/2 X 3000 TC-TC HOSE		02
01C	0501080110	HOSE 1/2 X 3100		02
01D	0501082139	HOSE 1/2 X 6500 TM-TM		02
02	0521051770	HYDRAULIC CYLINDER	12	01
03	0521051768	HYDRAULIC CYLINDER	13	01
04	0511054457	ASSY SAFETY VALVE	14	02
05	0521064869	7/8UNF JIC OIL DISTRIBUTOR		01

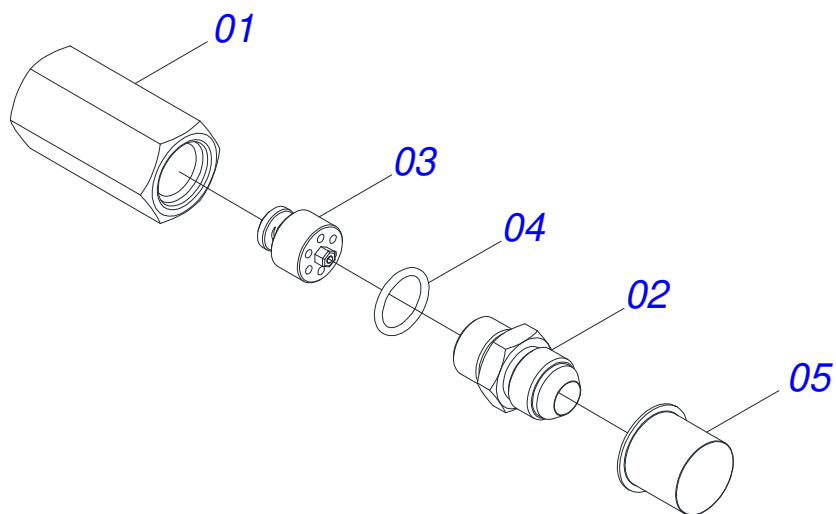


Item	Code	Description	See page	QT
01	0521068132	TURNBUCKLE		01
02	0502012822	101.60 END CAP		01
03	0503010817	1.1/4" SELF LOCKING NUT		01
04	0503010345	2-218 N 3006-9B O'RING		01
05	0503015633	SELEMASTER SEALING		01
06	0502012842	50,80 X 101,60 PISTON		01
07	0581010678	50,80 X 101 RING SUPPORT		01
08	0503015636	SCRAPER SEAL		01
09	0503018025	RING GUIDE		01
10	0503018026	1870-2000-375 B GASKET		01
11	0503010338	2-342 N 3006-9B O'RING		02
12	0503011061	8-342 BACK-UP RING		02
13	0521068134	CYLINDER CASE		01
14	0503010002	1800 GREASE FITTING		02
15	0503030387	PLUG		02

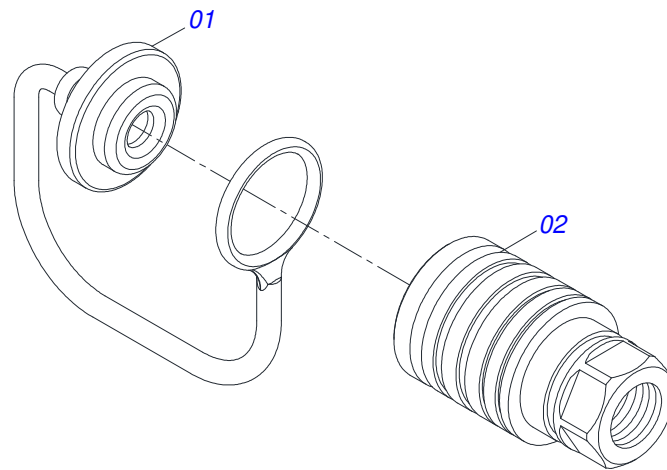


Item	Code	Description	See page	QT
01	0521068132	TURNBUCKLE		01
02	0502012822	101.60 END CAP		01
03	0503010817	1.1/4" SELF LOCKING NUT		01
04	0503010345	2-218 N 3006-9B O'RING		01
05	0503015633	SELEMASTER SEALING		01
06	0502012842	50,80 X 101,60 PISTON		01
07	0581010678	50,80 X 101 RING SUPPORT		01
08	0503015636	SCRAPER SEAL		01
09	0503018025	RING GUIDE		01
10	0503018026	1870-2000-375 B GASKET		01
11	0503010338	2-342 N 3006-9B O'RING		02
12	0503011061	8-342 BACK-UP RING		02
13	0521068133	CYLINDER CASE		01
14	0503010002	1800 GREASE FITTING		02
15	0503030387	PLUG		02

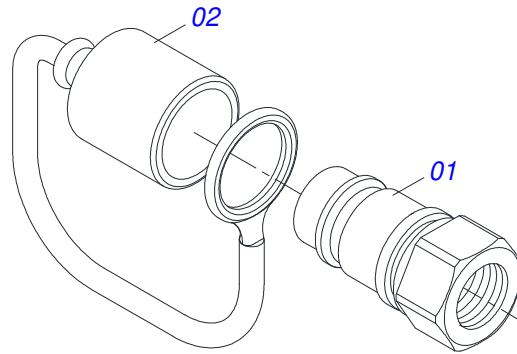




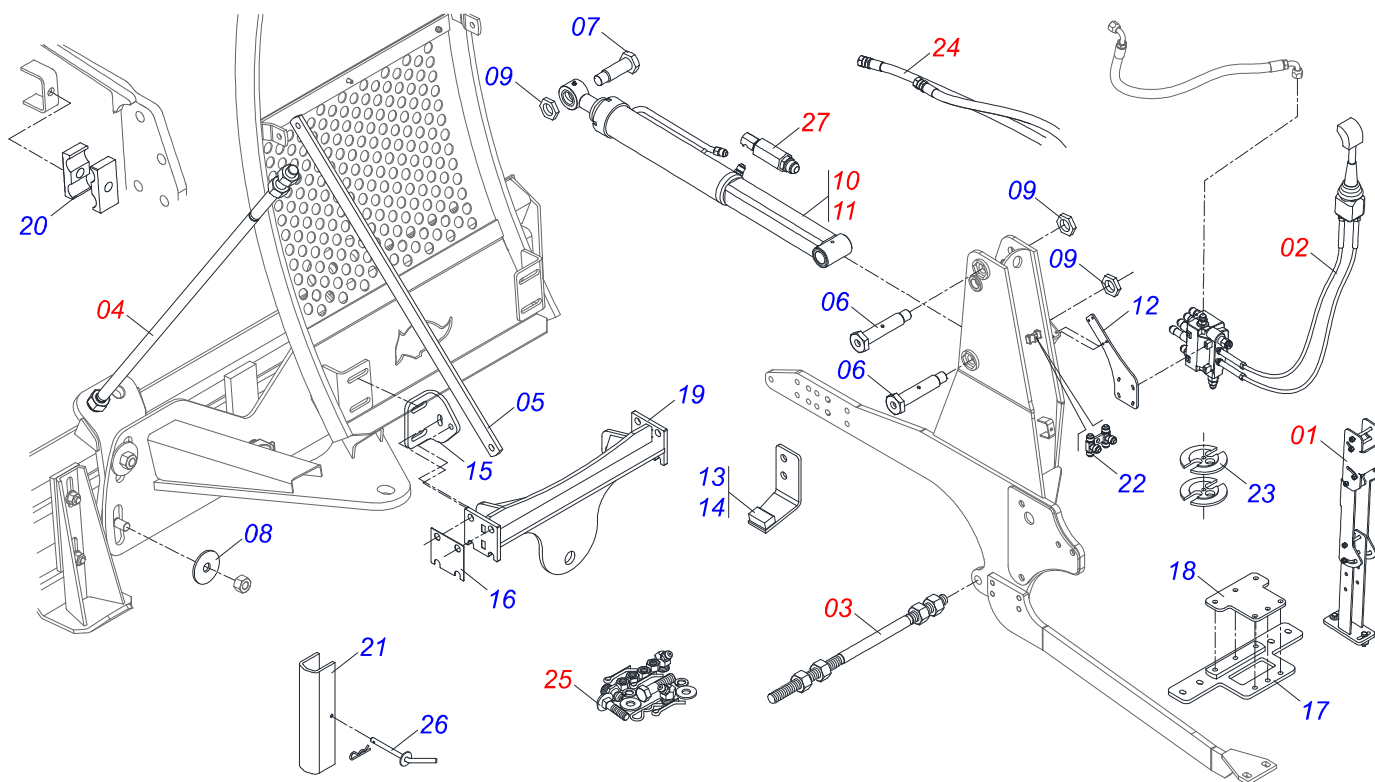
Item	Code	Description	See page	QT
01	0581014053	1/2 BSP X 7/8 UNF JIC X 64 ADAPTER		01
02	0581014052	1/2 BSP X 7/8 UNF JIC X 43 NIPLE		01
03	0503016854	SAFETY VALVE		01
04	0503010045	O'RING		01
05	0503030387	PLUG		01



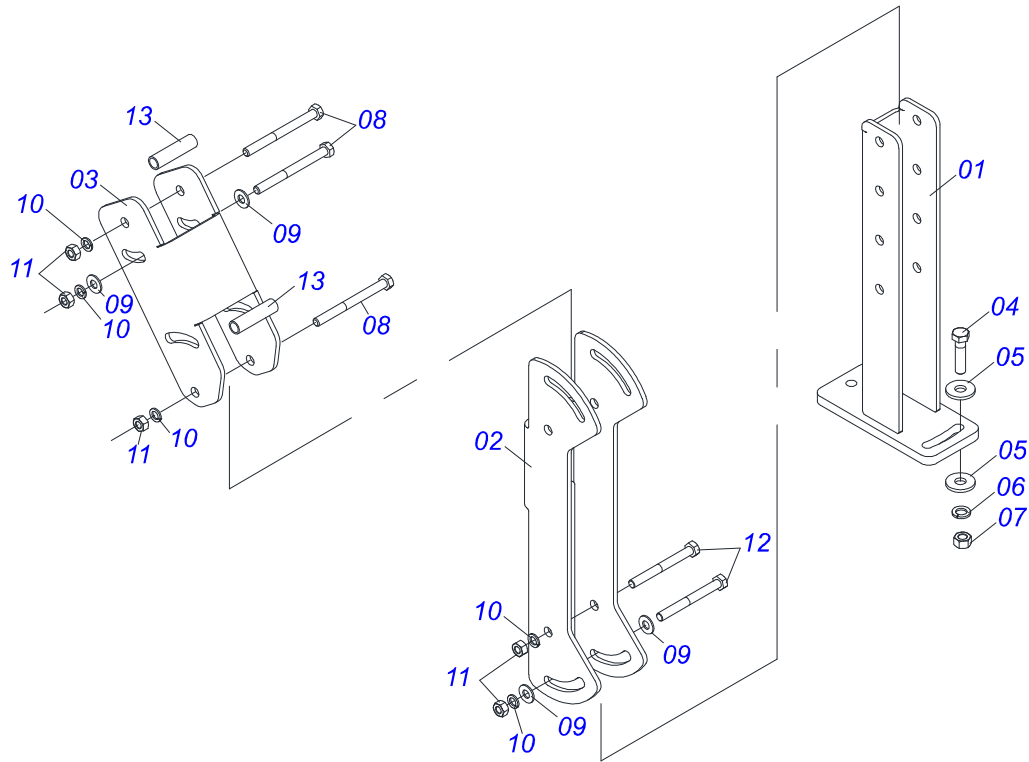
Item	Code	Description	See page	QT
01	0503011883	QUICK CONNECTION COVER		01
02	0503011628	FEMALE QUICK COUPLER		01



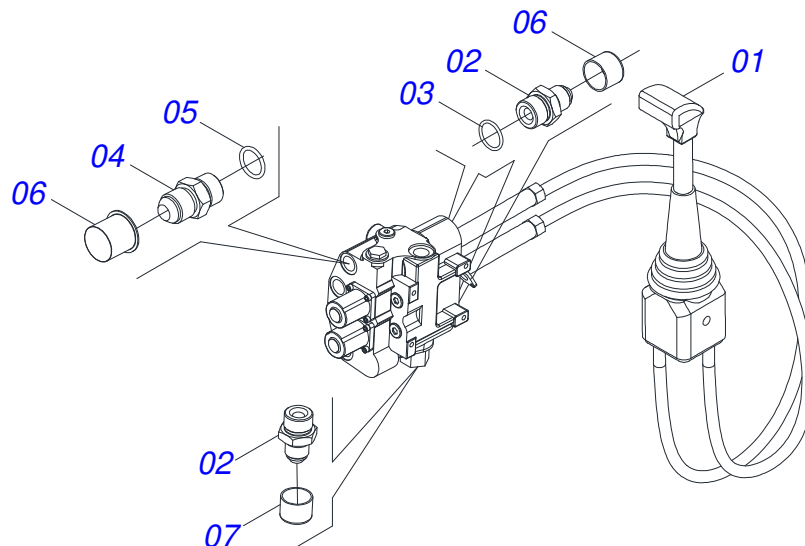
Item	Code	Description	See page	QT
01	0503011627	MALE QUICK COUPLER AGR 1/2 NPT		01
02	0503011882	MALE QUICK COUPLER CAP		01



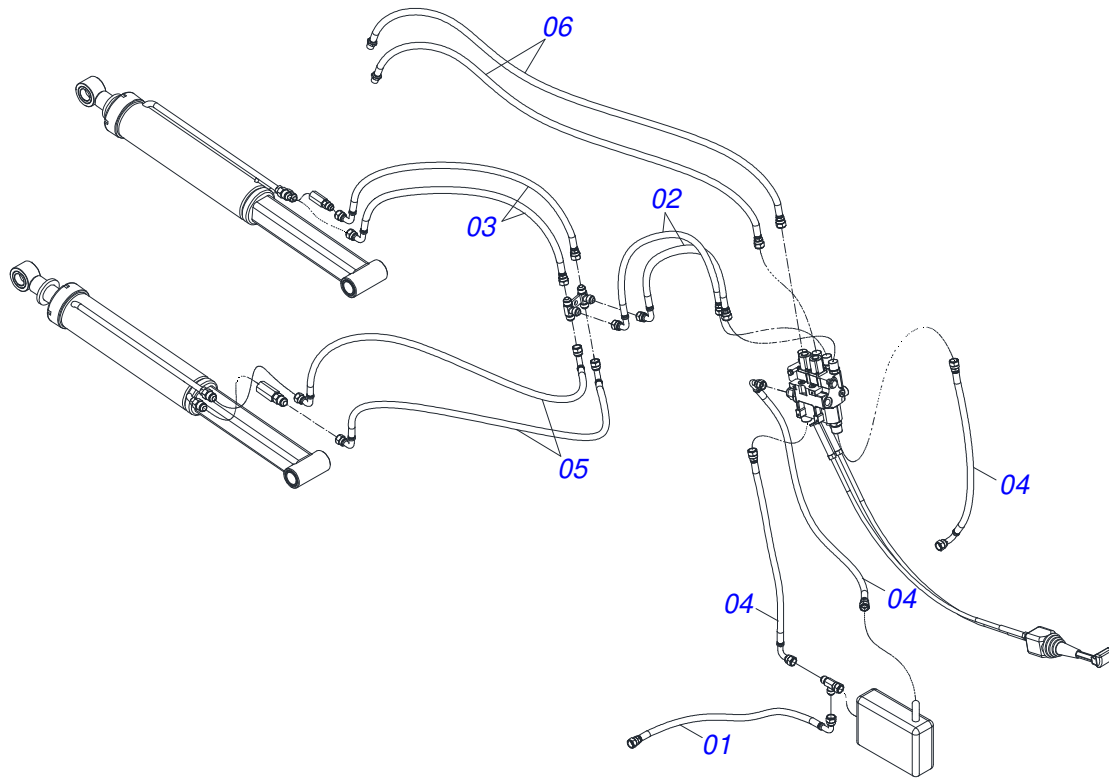
Item	Code	Description	See page	QT
01	0521045393	SET SUPPORT JOY STICK	18	01
02	0521047684	JOYSTICK COMAND	19	01
03	0501041652	FULL 1.1/4" X 31.88" ROD ASSY	10	01
04	0521044193	1.1/4 NC X 1810 FULL ROD	9	02
05	0511013560	ATTACHMENT BAR		02
06	0581015228	BOLT		04
07	0581010693	BOLT		02
08	0501010574	FLAT WASHER		04
09	0581010243	WASHER HEX		06
10	0521051770	HYDRAULIC CYLINDER	12	01
11	0521051768	HYDRAULIC CYLINDER	13	01
12	0581015053	COMMAND SUPPORT		01
13	0521065892	RIGHT BEATER		01
14	0521065895	LEFT BEATER		01
15	0571014003	FASTENING BRACKET OF THE HIGH GUIDE		02
16	0571017466	FIXING CHOCK		02
17	0521065069	LOWER FIXING		01
18	0571016626	SUPPORT FIXER		01
19	0521065156	MOBILE SUPPORT FIXER		01
20	0502010477	HOSE CLAMP		06
21	0531017238	LOCK TRANSPORT		02
22	0521064869	7/8UNF JIC OIL DISTRIBUTOR		01
23	0581013404	PUMP		02
24	0521051796	HOSE SET	20	01
25	0511032947	PACKED PARTS	21	01
26	0501068994	8,30 X 78 LOCK PIN		02
27	0511054457	ASSY SAFETY VALVE	14	02



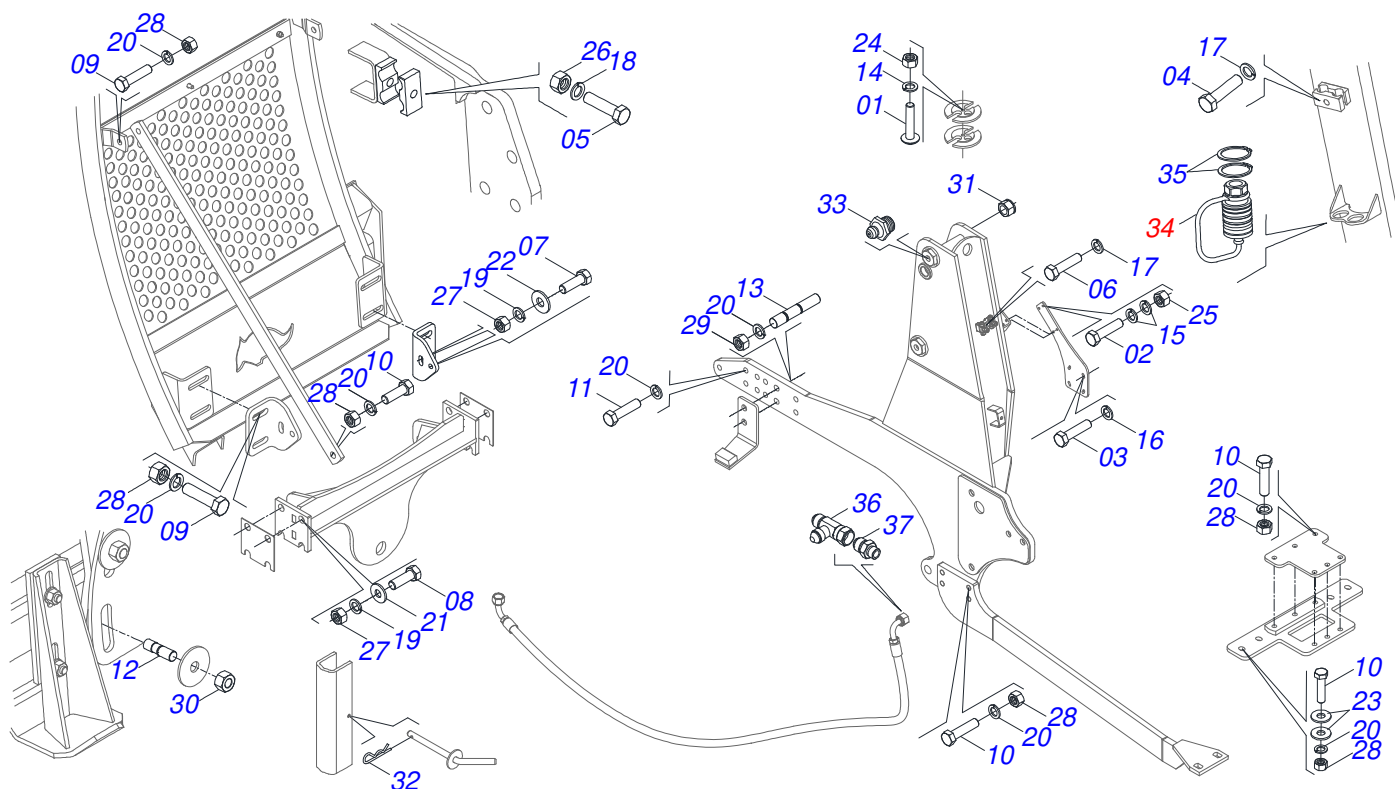
Item	Code	Description	See page	QT
01	0521065789	LOWER JOYSTICK SUPPORT		01
02	0571018376	CENTRAL BODY SUPPLEMENT OF JOYSTICK		01
03	0571018375	SUPERIOR BODY SUPPLEMENT OF JOYSTICK		01
04	0503010849	3/8" X 1-1/2" BOLT		02
05	0501010984	10,50 X 27 X 3,00 FLAT WASHER		02
06	0503010025	3/8 SPRING WASHER		02
07	0503010026	3/8" NUT		02
08	0503010848	5/16" X 3.1/2" BOLT		04
09	0501010694	FLAT WASHER		06
10	0503010179	LOCK WASHER 5/16 ZN 1K01528		06
11	0503010337	5/16" NUT		06
12	0503011053	5/16" X 3" C S 6.5 ZN BOLT		02
13	0541015551	0.39" X 0.512" X 1.9" SLEEVE		02



Item	Code	Description	See page	QT
01	0503062415	COMPLETE JOYSTICK CONTROL SDM122/2		01
02	0511018014	7/8"NF X 1.1/16 UN NIPPLE		03
03	0503011109	2-119 N 3006-9B O'RING		02
04	0501010590	NIPPLE		04
05	0503010045	O'RING		04
06	0503030387	PLUG		04



Item	Code	Description	See page	QT
01	0501080166	1/2" X 22" TR-TR HOSE ASSY		01
02	0501080218	1/2 X 750 HOSE		02
03	0501080060	1/2" X 63" TR-TC HOSE		02
04	0501080016	1/2 X 2800 TR-TC HOSE		03
05	0501080137	1/2 X 3000 TC-TC HOSE		02
06	0501080959	1/2 X 3400 HOSE		02



Item	Code	Description	See page	QT
01	0503017866	3/16" X 1,1/2" BOLT	01	01
02	0503010371	5/16" X 1" BOLT	04	04
03	0503011295	M 8 X 1,25 X 25 BOLT	04	04
04	0503012555	SCREW 7/16 UNC X 2 CS RT G.7 ZN	05	05
05	0503010834	1/2 X 1 BOLT	01	01
06	0503010311	1/2" X 1-1/4" BOLT	01	01
07	0501010100	SCREW 5/8 UNC X 2 CS G.5 ZN	04	04
08	0501011541	5/8" X 3" BOLT	08	08
09	0501010098	3/4" UNC BOLT	06	06
10	0503013394	3/4" X 3" BOLT	20	20
11	0503013103	M20 X 2,5 X 90 BOLT	12	12
12	0561016755	PRISONER 1 UNC X 1 UNC X 76 ZN	04	04
13	0511014160	3/4" X 4.52" STUD	04	04
14	0503010668	3/16" SPRING WASHER	01	01
15	0503010179	LOCK WASHER 5/16 ZN 1K01528	04	04
16	0503014371	M8 SPRING WASHER	04	04
17	0503010180	7/16" SPRING WASHER	05	05
18	0503010019	1/2" SPRING WASHER	01	01
19	0503010027	5/8 SPRING WASHER	12	12
20	0503010023	3/4" SPRING WASHER	50	50
21	0501012140	FLAT WASHER	08	08
22	0501011312	FLAT WASHER	02	02
23	0501010322	FLAT WASHER	08	08
24	0503010667	3/16" NUT	01	01
25	0503010337	5/16" NUT	04	04
26	0503010028	1/2" NUT	01	01
27	0503010013	5/8 NUT	12	12
28	0503010014	3/4" HEX NUT	38	38
29	0503010335	3/4 NUT	04	04
30	0501010059	1.5/8 NUT	04	04
31	0503010044	1-1/4" SELF LOCKING NUT	06	06





PD 1100  
PACKED PARTS

Page 21  
0511032947

Item	Code	Description	See page	QT
32	0503030012	HITCH PIN CLIP		02
33	0503010002	1800 GREASE FITTING		06
34	0501053835	FEMALE QUICK COUPLER	15	02
35	0503010217	501040 CLAMPING RING (FOR AXLE)		04
36	0503062177	7/8 (V.C) T-ADAPTER WITH NUT		01
37	0503034526	NIPPLE UNION		01





**MARCHESAN**

**Technical Publications | Elaboration and Revision**

LORENA ROCHA ALVES

[www.marchesan.com.br](http://www.marchesan.com.br)

