

PD - FRONT LOADER

PD 1100

Code: 0501093569
Series: S-0121
Revision: 00
Date Revision: AGOSTO/2023

PARTS CATALOGUE



MARCHESAN



PRODUCTS

Code	Description
0106170015	PD 1100 S-0121
0106170016	PD 1100 S-0121

ATTENTION: IMPORTANT

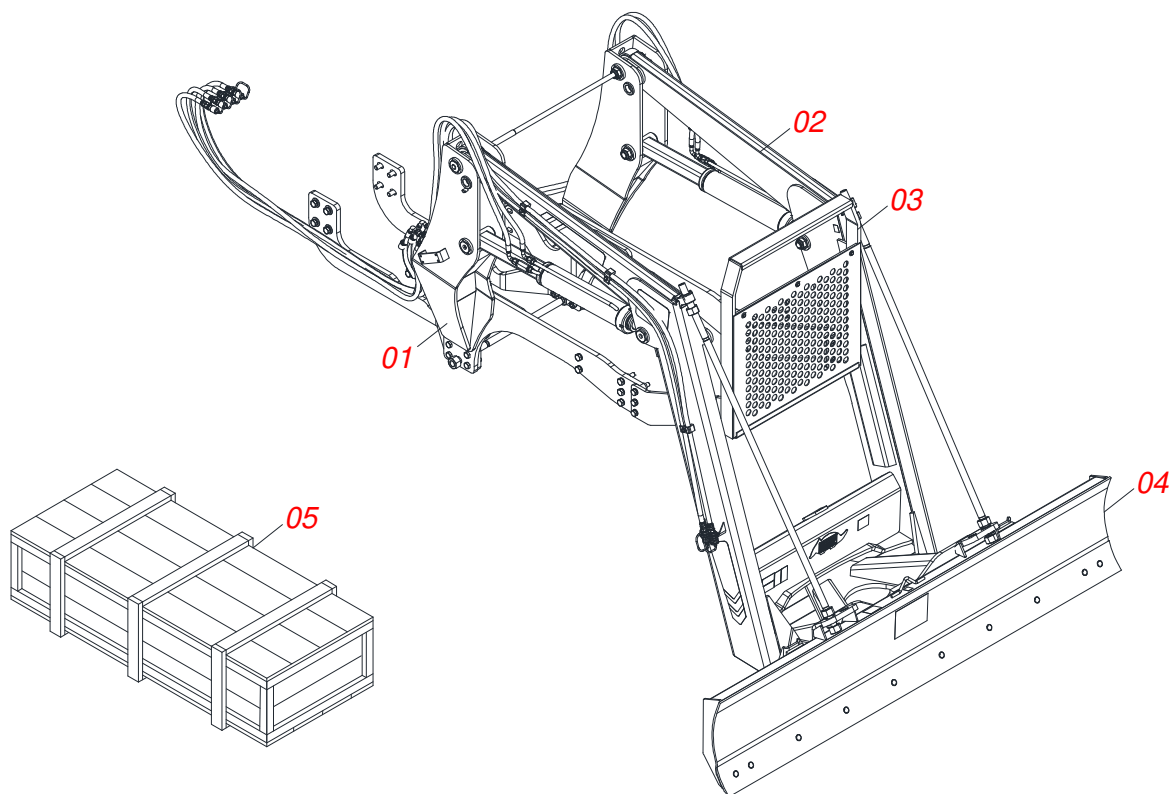
Marchesan S.A. reserves the right to improve and/or modify the technical features of its products, without obligation to do the same with those products already sold and without prior knowledge of the dealer or the customer. The photos are only illustrative.



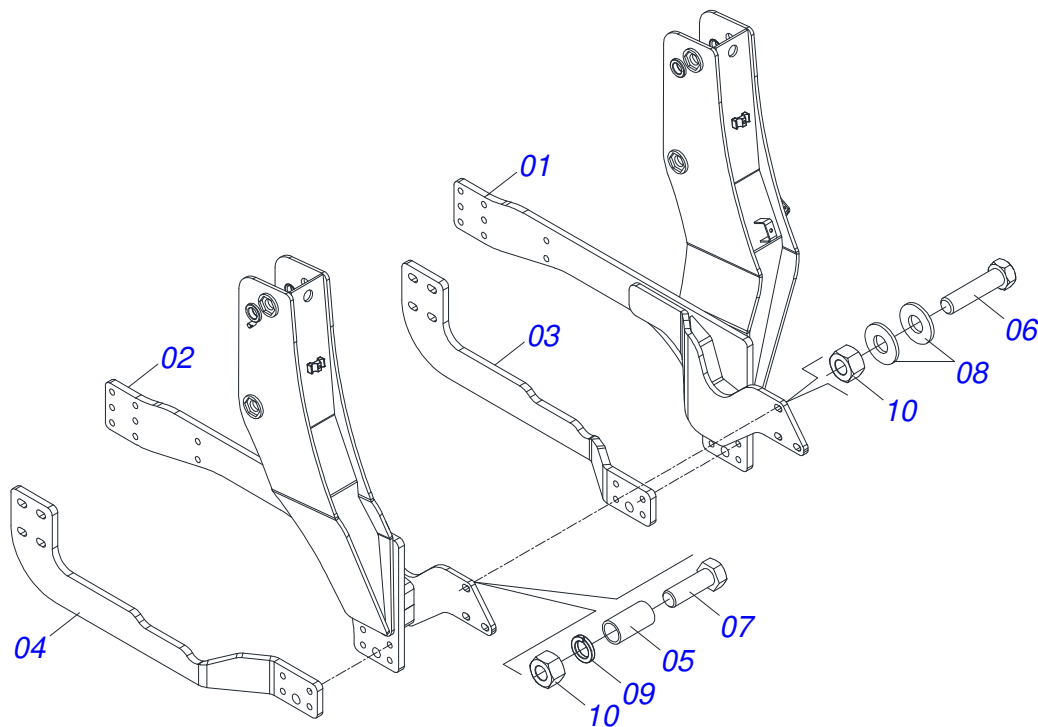
MARCHESAN

INDEX

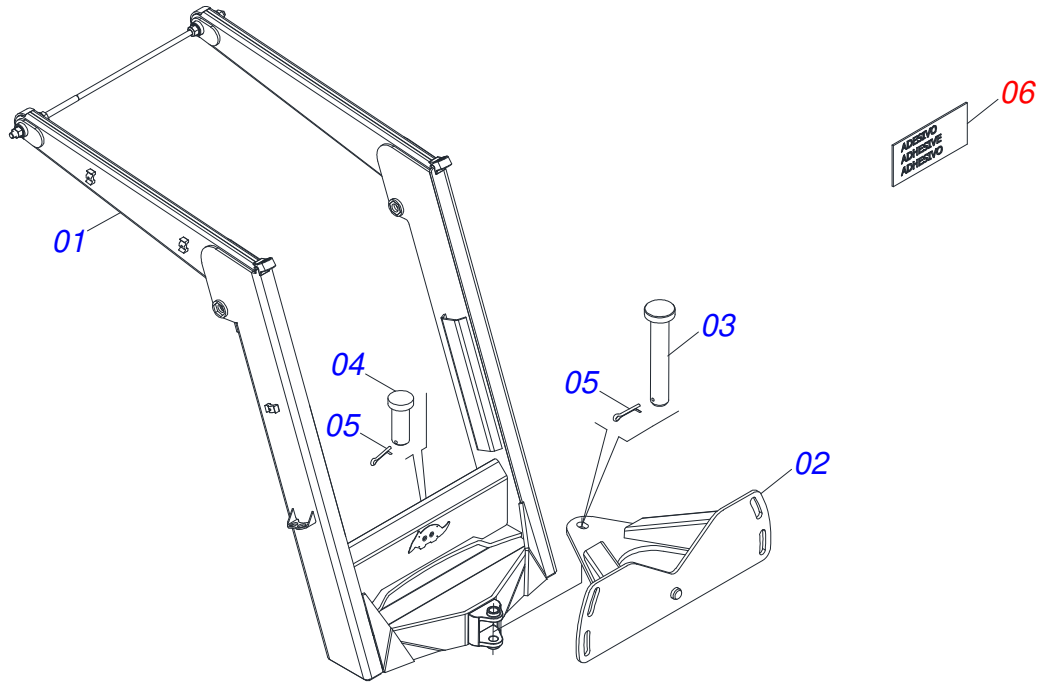
0909096828	PD 1100	1
0531044073	FRAME SET WITH REAR BAR	2
0521047673	MOBILE SUPPORT ASSY	3
0909096822	DECAL SET	4
0531041094	MOBILE SUPPORT GUIDE	5
0511045456	2600 BLADE SUPPORT ASSY	6
0501047710	2600MM BLADE SUPPORT ASSY	7
0909096829	DECAL SET	8
0521026897	BOX WITH COMPONENTS	9
0501042819	1.1/4" NC X 33.46" ASSY ROD	10
0521044193	1.1/4 NC X 1810 FULL ROD	11
0909096830	HYDRAULIC CIRCUIT	12
0521051770	HYDRAULIC CYLINDER	13
0521051768	HYDRAULIC CYLINDER	14
0511054457	ASSY SAFETY VALVE	15
0511034078	PACKAGED PARTS	16
0501053835	FEMALE QUICK COUPLER	17
0501053834	MALE QUICK COUPLER	18
0521026899	BOX WITH COMPONENTS	19
0531044005	SET SUPPORT JOY STICK	20
0909096831	HYDRAULIC CIRCUIT	21
0511034079	PACKAGED PARTS	22
0521047926	1/2" COMMAND	23



Item	Code	Description	See page	QT
01	0531044073	FRAME SET WITH REAR BAR	2	01
02	0521047673	MOBILE SUPPORT ASSY	3	01
03	0531041094	MOBILE SUPPORT GUIDE	5	01
04	0511045456	2600 BLADE SUPPORT ASSY	6	01
05	0521026897	BOX WITH COMPONENTS	9	01
05.	0521026899	BOX WITH COMPONENTS	19	01



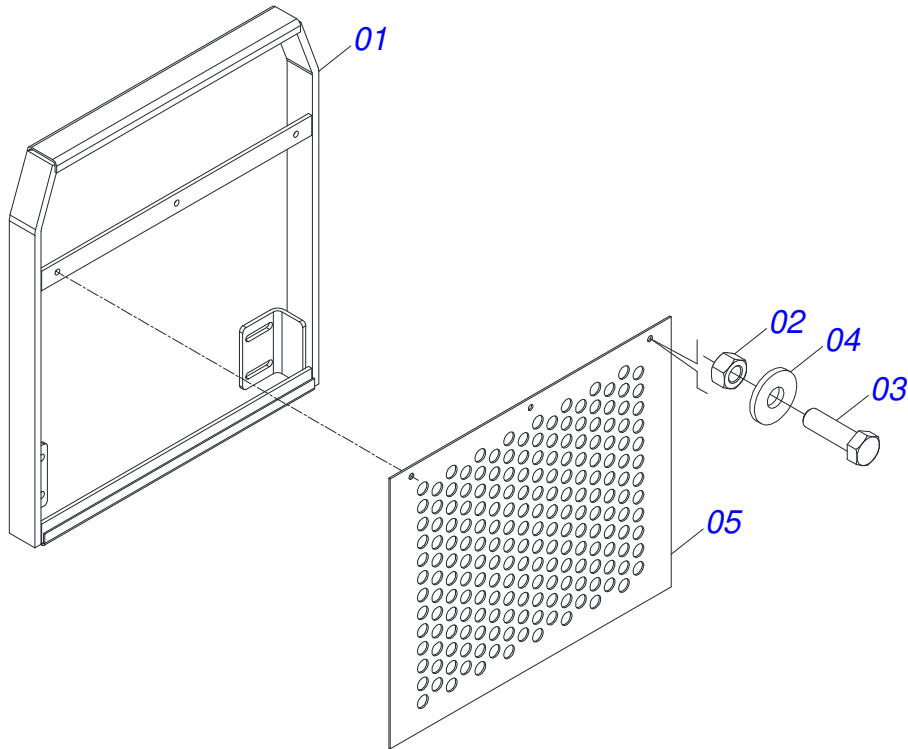
Item	Code	Description	See page	QT
01	0531064945	RIGHT FRAME		01
02	0531064946	LEFT FRAME		01
03	0501217057	REAR BAR RIGHT FRAME		01
04	0501217056	LEFT REAR BAR FRAME		01
05	0581015170	SLEEVE		04
06	0501010500	3/4" X 3" BOLT		02
07	0503011084	3/4" X 5" BOLT		04
08	0501010322	FLAT WASHER		04
09	0503010023	3/4" SPRING WASHER		04
10	0503010014	3/4" HEX NUT		06



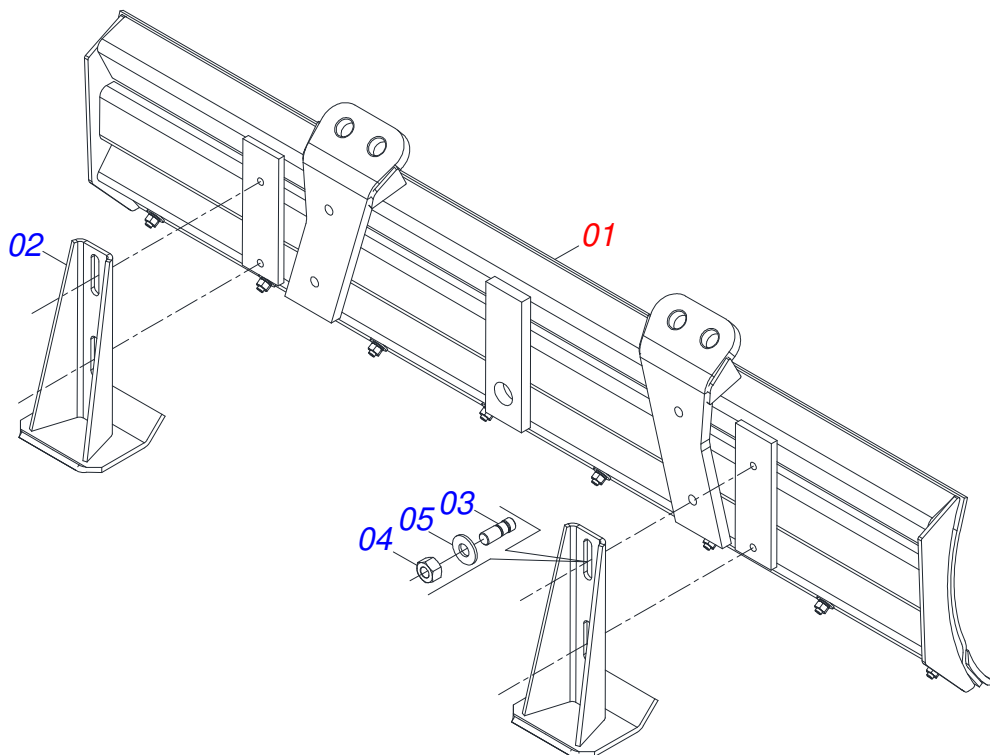
Item	Code	Description	See page	QT
01	0521068135	MOBILE SUPPORT		01
02	0501062637	5/8" REGULATOR SUPPORT		01
03	0521010618	1.4" X 8.6" COUPLING SHAFT		01
04	0521010612	1.4" X 3.5" COUPLING SHAFT		01
05	0503010010	1/4" X 2.1/2" SPLIT PIN		02
06	0909096822	DECAL SET	4	01



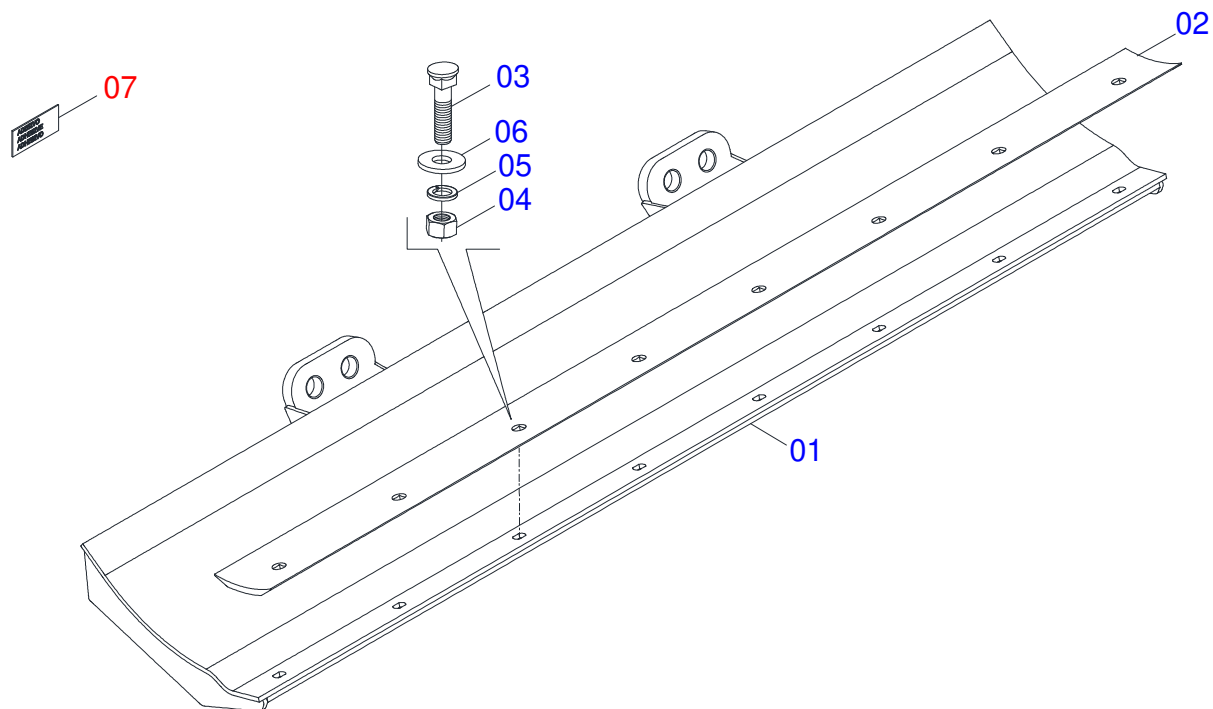
Item	Code	Description	See page	QT
01	0503034003	SERIAL NUMBER TAG 61 X 118		01
02	0503010001	3.2 X 5.5 RIVET		04
03	0503064057	ADHESIVE DECAL SET		01
04	0503031428	READ MANUAL DECAL		01
05	0503031827	LUBRICATE AND RETIGHTEN DAILY DECAL		01
06	0503034078	LIFTING POINTS DECAL		03
07	0503031087	ADHESIVE LABEL		01
08	0503036238	ADHESIVE LABEL SAFETY LOCKING HYDRAULIC CYLINDERS		01
09	0503036239	ADHESIVE LABEL ATTENTION FLUIDS WITH PRESSURE		01
10	0503036241	ADHESIVE LABEL SAFETY CAUTION SHOCK HAZARD		01



Item	Code	Description	See page	QT
01	0531062308	MOBILE SUPPORT GUIDE		01
02	0503010026	3/8" NUT		03
03	0503010751	C3/8" X 1.1/4" HEX BOLT G.5		03
04	0501010984	10,50 X 27 X 3,00 FLAT WASHER		03
05	0501014686	FRONT PROTECTION		01



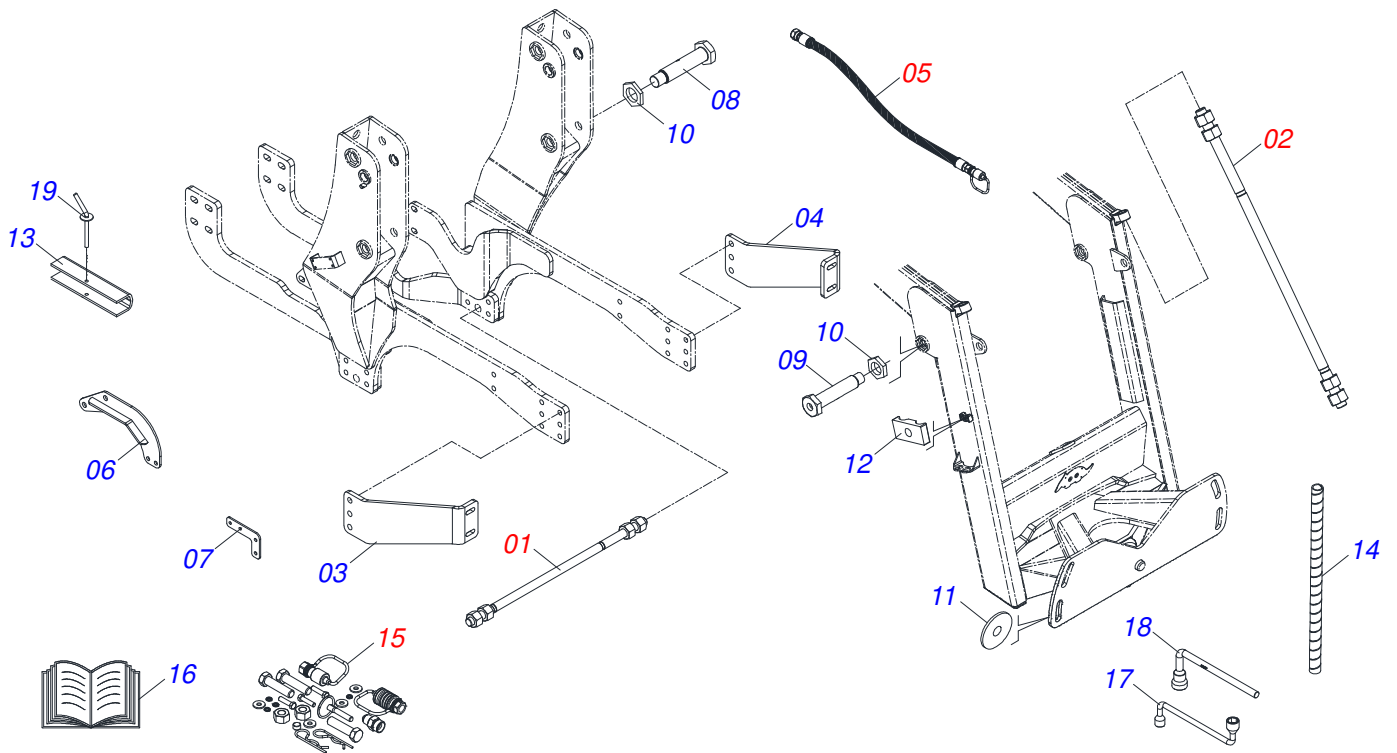
Item	Code	Description	See page	QT
01	0501047710	2600MM BLADE SUPPORT ASSY	7	01
02	0501063411	ESTABILIZER BRACKET		02
03	0561016756	3/4 UNC X 3/4 UNC X 56 PRISONER		04
04	0503010014	3/4" HEX NUT		08
05	0501010322	FLAT WASHER		04



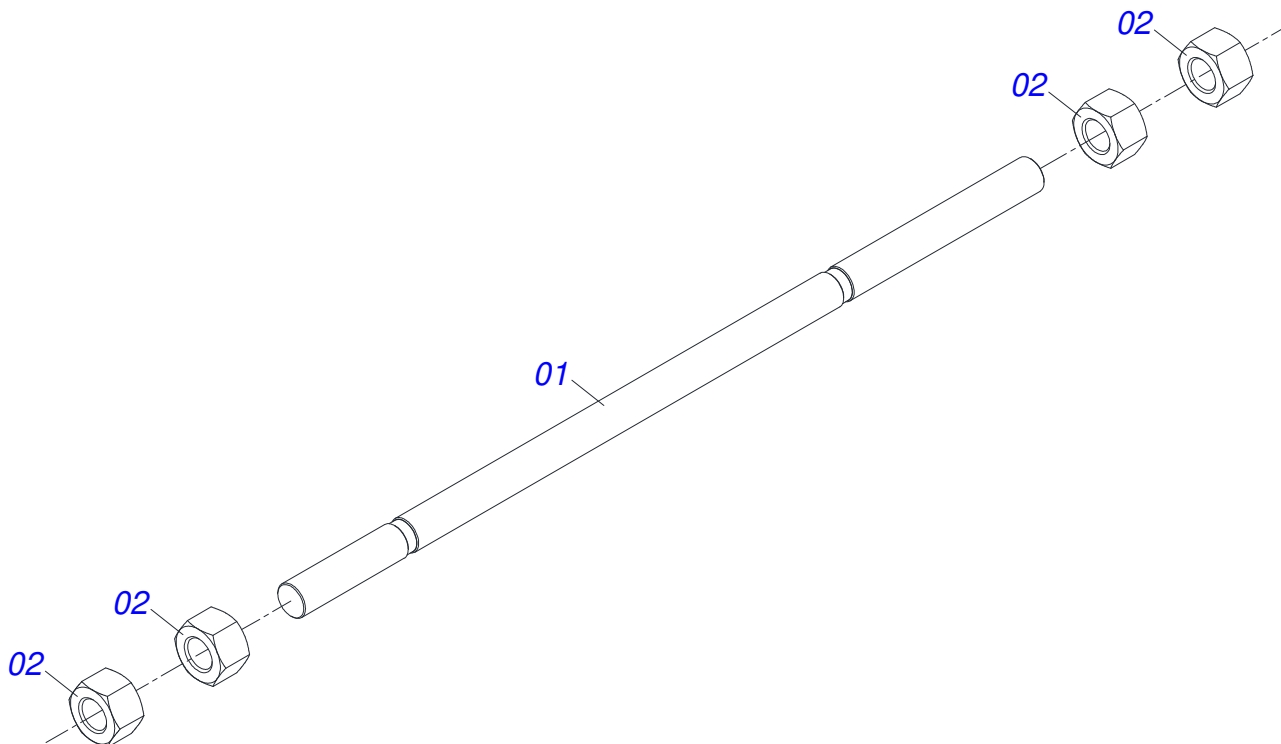
Item	Code	Description	See page	QT
01	0501068001	2590MM BLADE SUPPORT ASSY		01
02	0622360011	2600 SCRAPER REVERSIBLE		01
03	0501012240	BOLT		08
04	0503010013	5/8 NUT		08
05	0503010027	5/8 SPRING WASHER		08
06	0501010301	FLAT WASHER		08
07	0909096829	DECAL SET	8	01



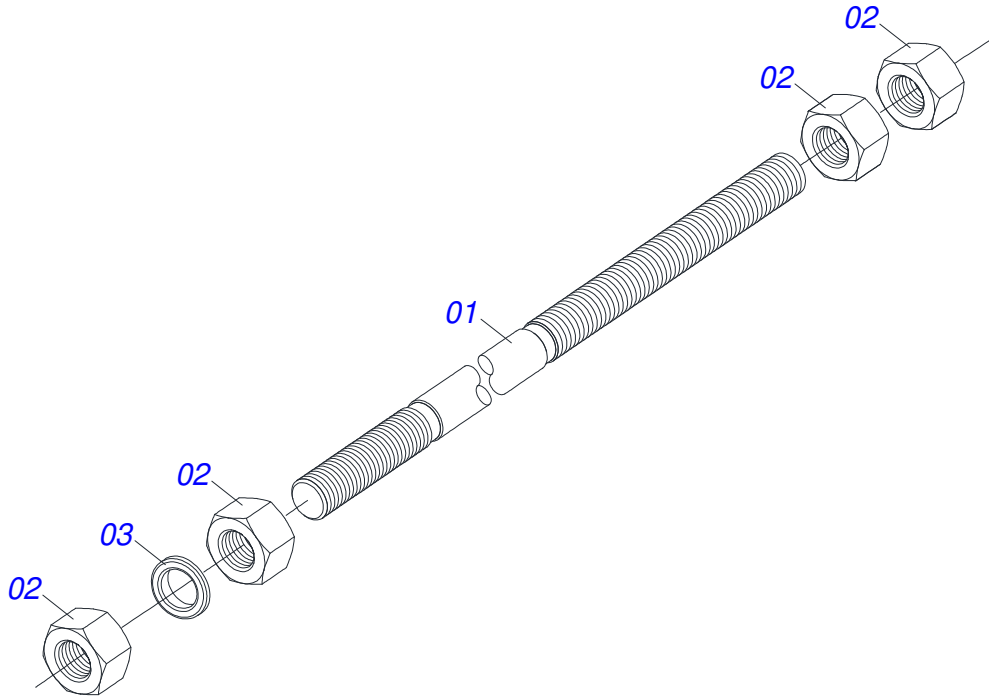
Item	Code	Description	See page	QT
01	0503033429	ADHESIVE LABEL		01
02	0503031087	ADHESIVE LABEL		01
03	0503034078	LIFTING POINTS DECAL		01
04	0503036241	ADHESIVE LABEL SAFETY CAUTION SHOCK HAZARD		01



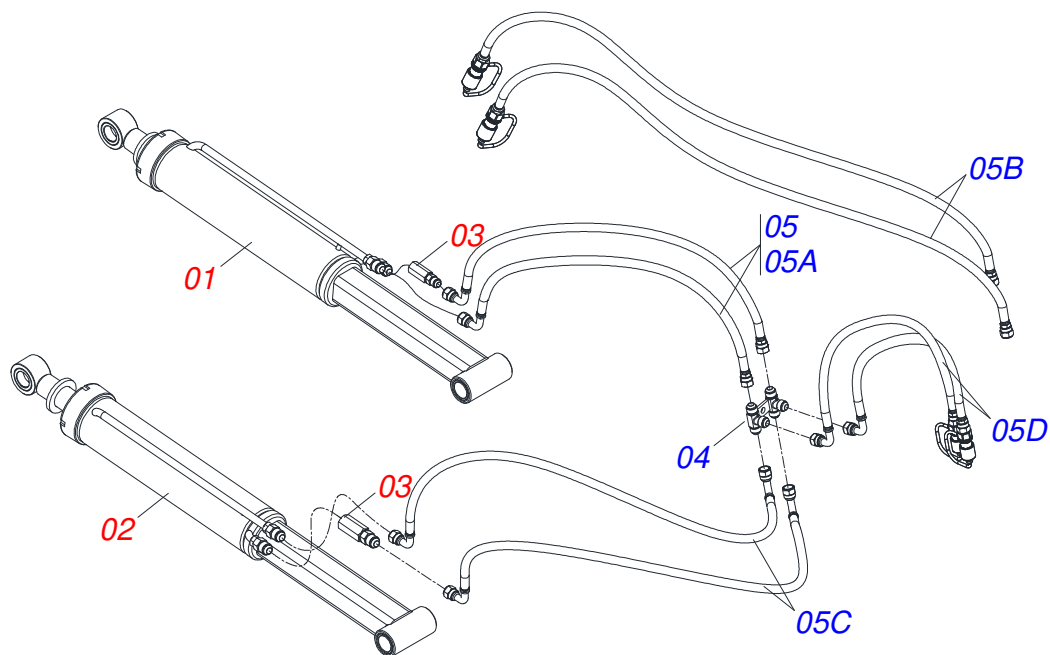
Item	Code	Description	See page	QT
01	0501042819	1.1/4" NC X 33.46" ASSY ROD	10	01
02	0521044193	1.1/4 NC X 1810 FULL ROD	11	02
03	0591018350	BRACKET FIXER RIGHT		01
04	0591018346	BRACKET FIXER LEFT		01
05	0909096830	HYDRAULIC CIRCUIT	12	01
06	0531065312	SUPPORT		01
07	0501218157	FILTER SUPPORT		01
08	0501218155	1.1/4 UNF X 216 SCREW		04
09	0581010693	BOLT		02
10	0501216423	WASHER HEX 37,8 X 58 X 9,50		06
11	0501010574	FLAT WASHER		04
12	0531011180	UPPER BODY CLIP		05
13	0501217728	LOCK FOR TRANSPORTATION		02
14	0581010090	SPRING PROTECTION PLASTIC HOSE		02
15	0511034078	PACKAGED PARTS	16	01
16	0511033668	BAG WITH INSTRUCTION MANUAL		01
17	0501068213	5/8" WRENCH DOUBLE		01
18	0501061617	1" GANG BOLT WRENCH		01
19	0501068994	8,30 X 78 LOCK PIN		02



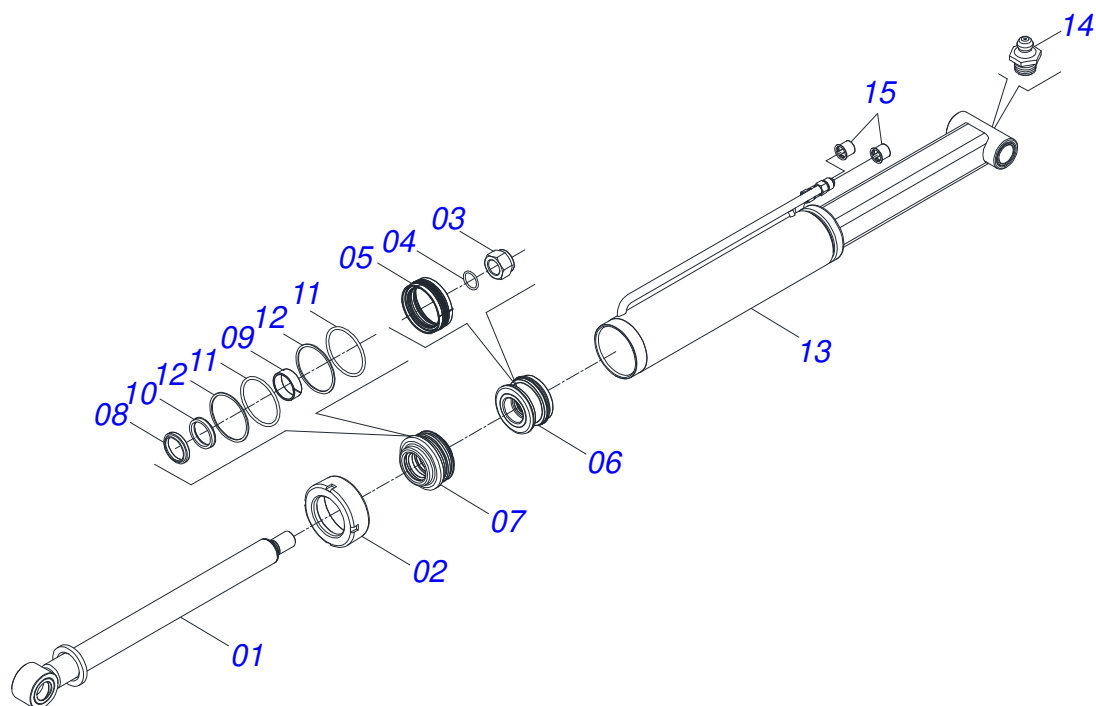
Item	Code	Description	See page	QT
01	0501018845	1.1/4" X 33.46" ROD		01
02	0501010087	1.1/4" NUT		04



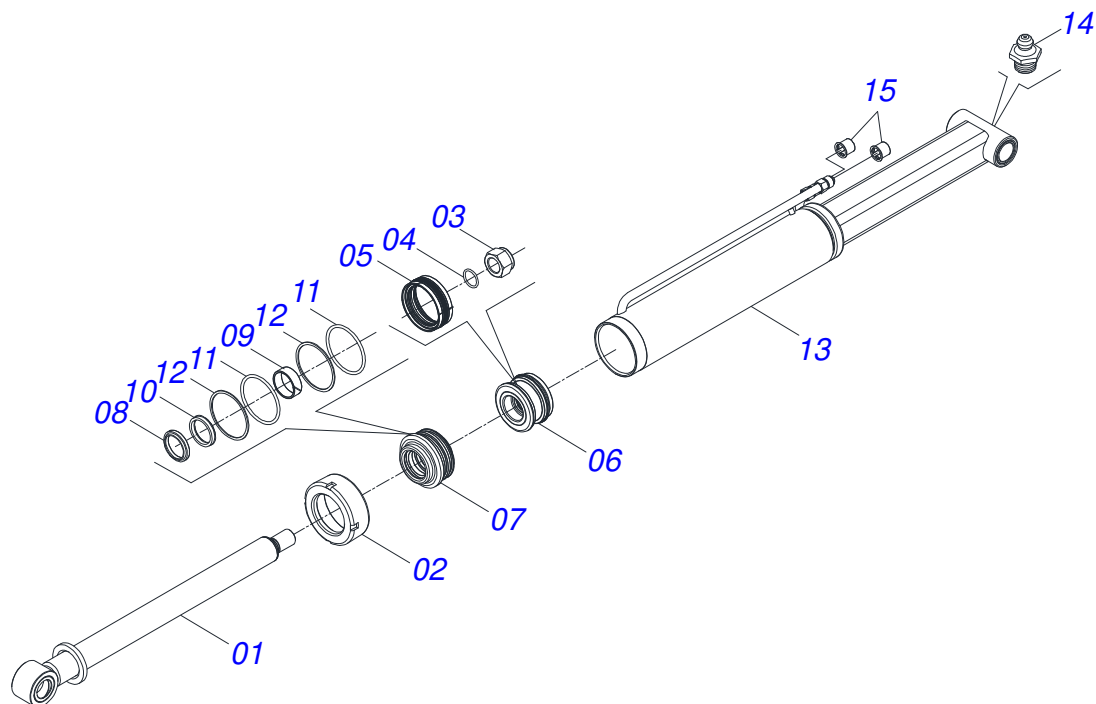
Item	Code	Description	See page	QT
01	0571016063	1.1/4X1810 ROD		01
02	0501010087	1.1/4" NUT		04
03	0502012180	CONICAL SPRING WASHER		02



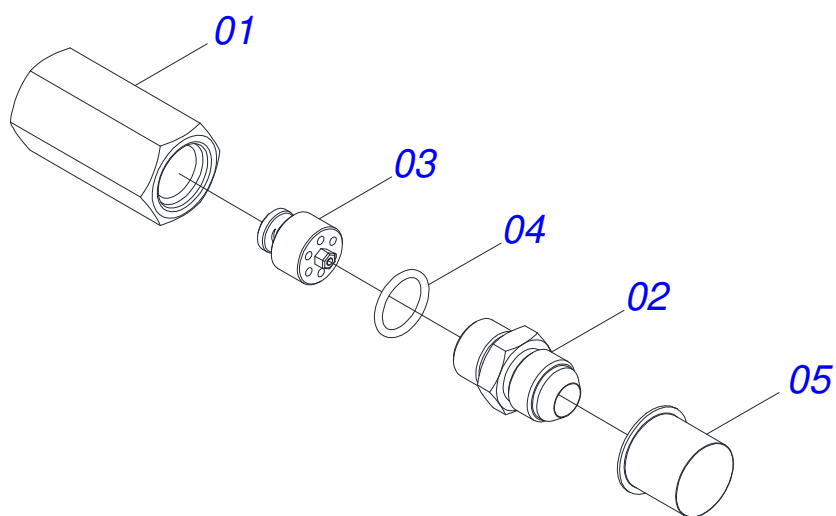
Item	Code	Description	See page	QT
01	0521051770	HYDRAULIC CYLINDER	13	01
02	0521051768	HYDRAULIC CYLINDER	14	01
03	0511054457	ASSY SAFETY VALVE	15	02
04	0521064869	7/8UNF JIC OIL DISTRIBUTOR		01
05	0531051378	HOSE KIT		01
05A	0501080061	1/2" X 66.93" TR-TC HOSE		02
05B	0501080004	HOSE 1/2 X 3500 TR-TM		02
05C	0501080946	HOSE 1/2 X 4700 TC-TC		02
05D	0501082139	HOSE 1/2 X 6500 TM-TM		02



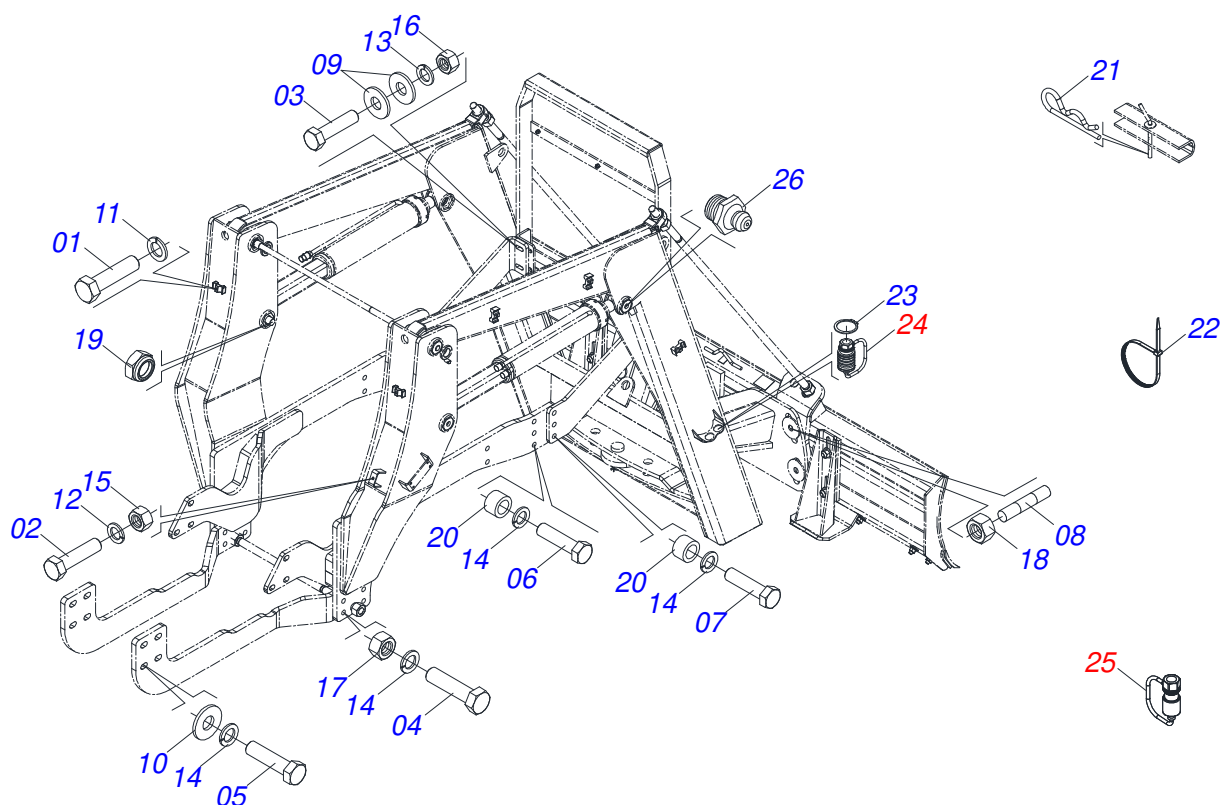
Item	Code	Description	See page	QT
01	0521068132	TURNBUCKLE		01
02	0502012822	101.60 END CAP		01
03	0503010817	1.1/4" SELF LOCKING NUT		01
04	0503010345	2-218 N 3006-9B O'RING		01
05	0503015633	SELEMASTER SEALING		01
06	0502012842	50,80 X 101,60 PISTON		01
07	0581010678	50,80 X 101 RING SUPPORT		01
08	0503015636	SCRAPER SEAL		01
09	0503018025	RING GUIDE		01
10	0503018026	1870-2000-375 B GASKET		01
11	0503010338	2-342 N 3006-9B O'RING		02
12	0503011061	8-342 BACK-UP RING		02
13	0521068134	CYLINDER CASE		01
14	0503010002	1800 GREASE FITTING		02
15	0503030387	PLUG		02



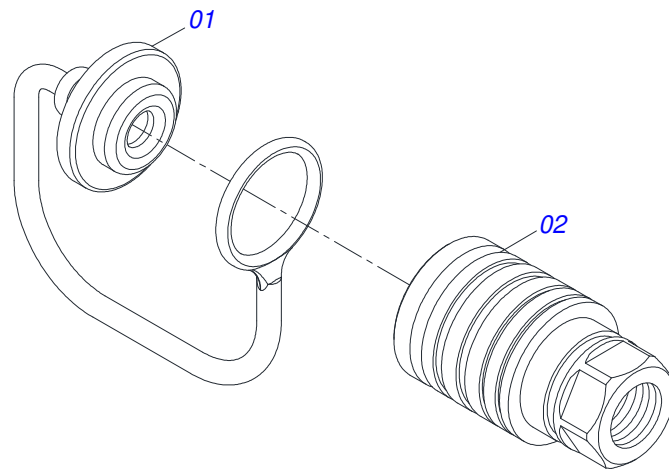
Item	Code	Description	See page	QT
01	0521068132	TURNBUCKLE		01
02	0502012822	101.60 END CAP		01
03	0503010817	1.1/4" SELF LOCKING NUT		01
04	0503010345	2-218 N 3006-9B O'RING		01
05	0503015633	SELEMASTER SEALING		01
06	0502012842	50,80 X 101,60 PISTON		01
07	0581010678	50,80 X 101 RING SUPPORT		01
08	0503015636	SCRAPER SEAL		01
09	0503018025	RING GUIDE		01
10	0503018026	1870-2000-375 B GASKET		01
11	0503010338	2-342 N 3006-9B O'RING		02
12	0503011061	8-342 BACK-UP RING		02
13	0521068133	CYLINDER CASE		01
14	0503010002	1800 GREASE FITTING		02
15	0503030387	PLUG		02



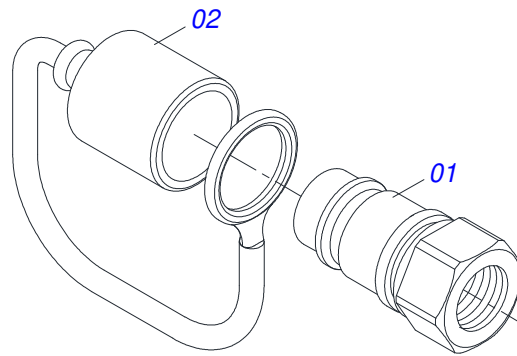
Item	Code	Description	See page	QT
01	0581014053	1/2 BSP X 7/8 UNF JIC X 64 ADAPTER		01
02	0581014052	1/2 BSP X 7/8 UNF JIC X 43 NIPLE		01
03	0503016854	SAFETY VALVE		01
04	0503010045	O'RING		01
05	0503030387	PLUG		01



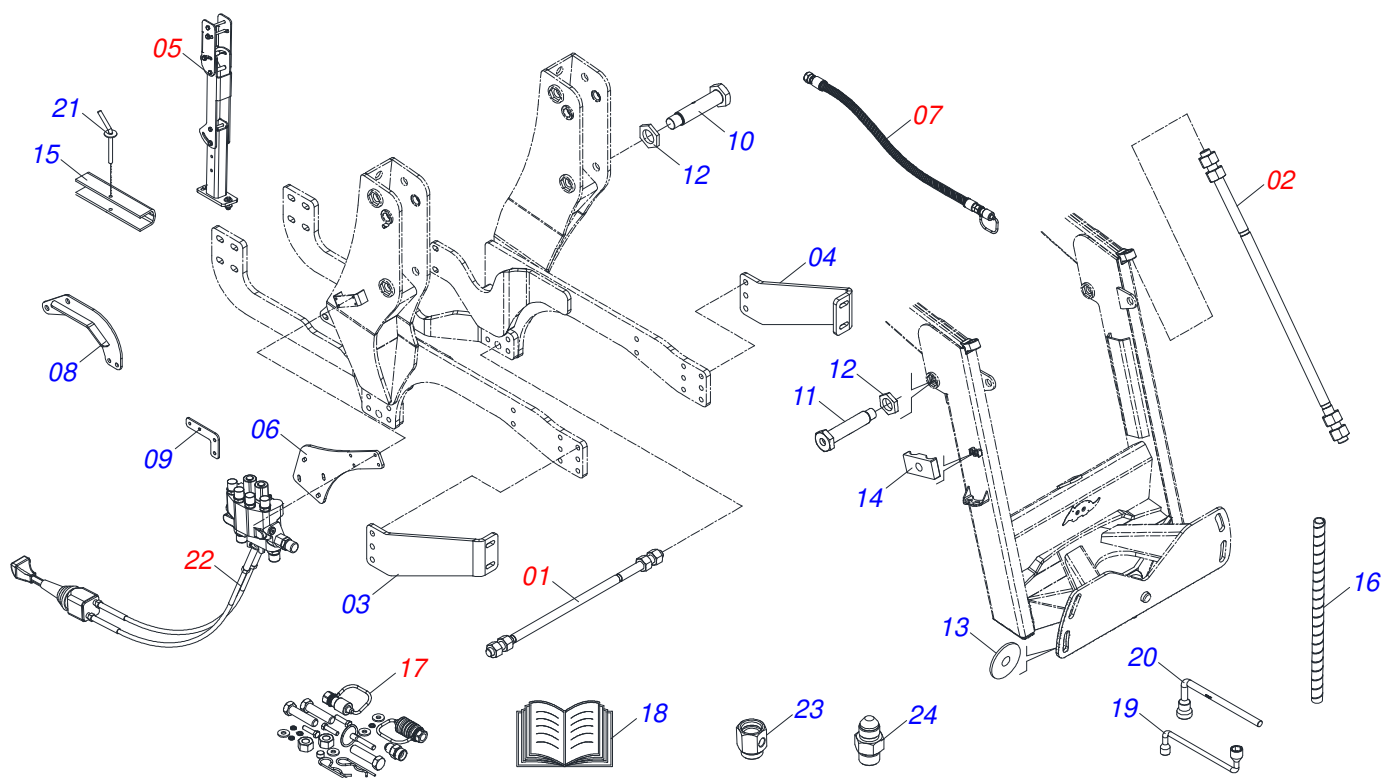
Item	Code	Description	See page	QT
01	0501011534	7/16" X 1-1/4" BOLT		05
02	0503010311	1/2" X 1-1/4" BOLT		01
03	0501010100	SCREW 5/8 UNC X 2 CS G.5 ZN		04
04	0503013394	3/4" X 3" BOLT		08
05	0503013111	M20 X 2,5 X 65 BOLT		14
06	0503013104	M20 X 2,5 X 80 BOLT		06
07	0503013103	M20 X 2,5 X 90 BOLT		06
08	0501010572	1" X 1" X 2.9" STUD		04
09	0501012140	FLAT WASHER		08
10	0501010322	FLAT WASHER		10
11	0503010180	7/16" SPRING WASHER		05
12	0503010019	1/2" SPRING WASHER		01
13	0503010027	5/8 SPRING WASHER		04
14	0503010023	3/4" SPRING WASHER		34
15	0503010028	1/2" NUT		01
16	0503010013	5/8 NUT		04
17	0503010014	3/4" HEX NUT		08
18	0503010340	1" NUT		04
19	0503010044	1-1/4" SELF LOCKING NUT		06
20	0511018178	BUSHING		12
21	0503030168	HITCH PIN CLIP		02
22	0503013527	CLAMP ZIPER		10
23	0503010217	501040 CLAMPING RING (FOR AXLE)		04
24	0501053835	FEMALE QUICK COUPLER	17	02
25	0501053834	MALE QUICK COUPLER	18	04
26	0503010002	1800 GREASE FITTING		06



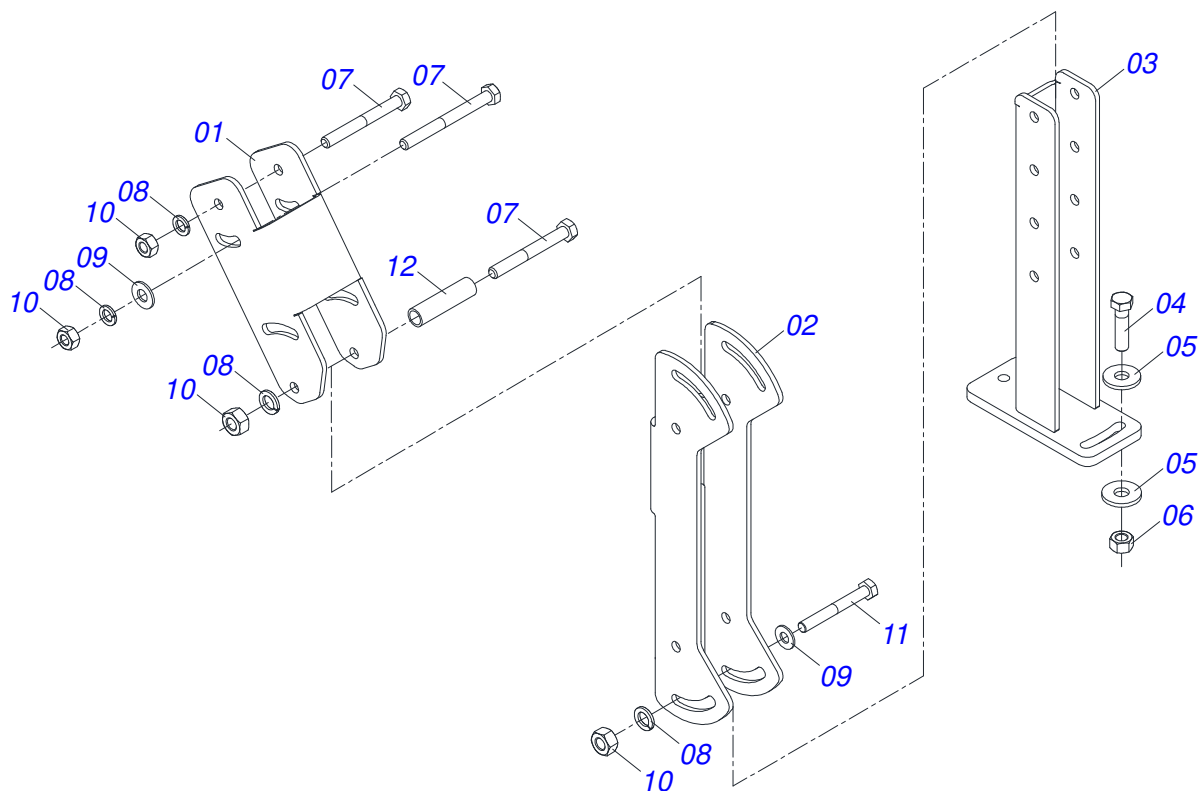
Item	Code	Description	See page	QT
01	0503011883	QUICK CONNECTION COVER		01
02	0503011628	FEMALE QUICK COUPLER		01



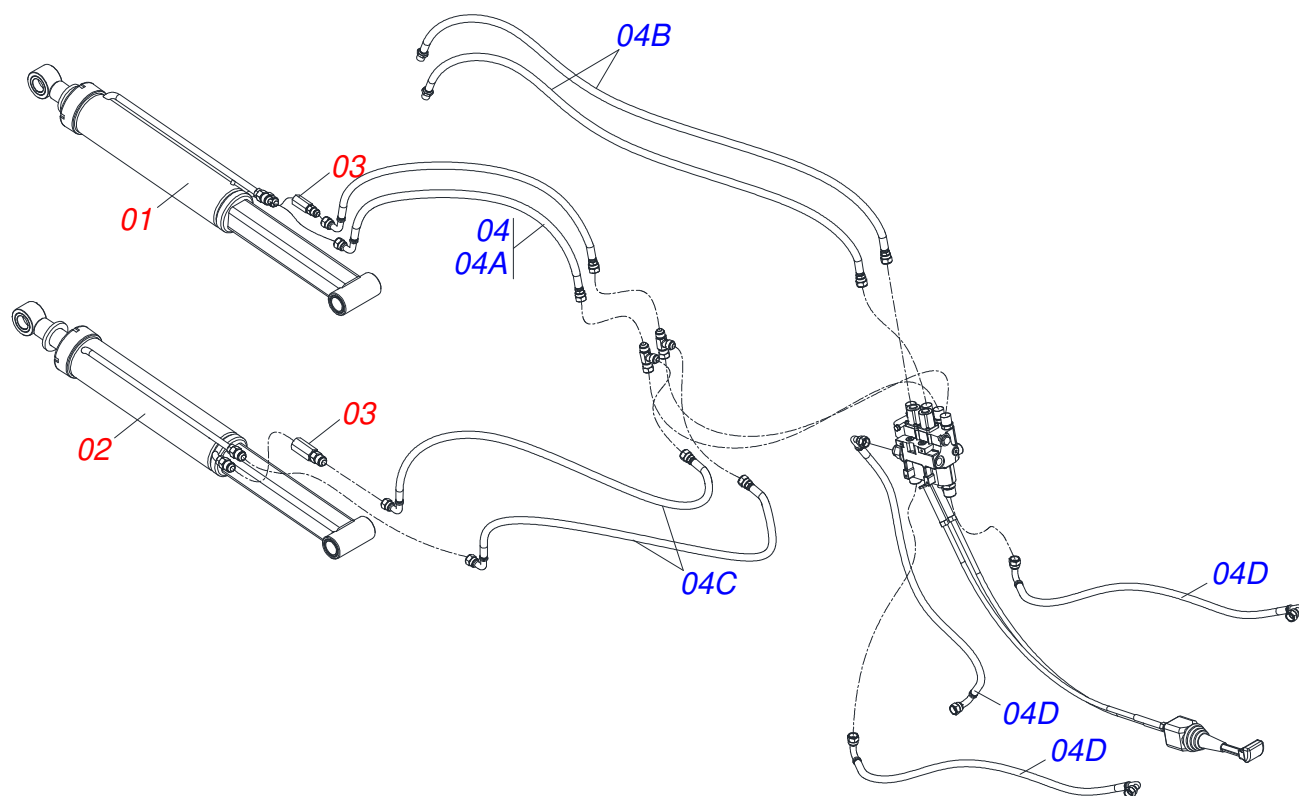
Item	Code	Description	See page	QT
01	0503011627	MALE QUICK COUPLER AGR 1/2 NPT		01
02	0503011882	MALE QUICK COUPLER CAP		01



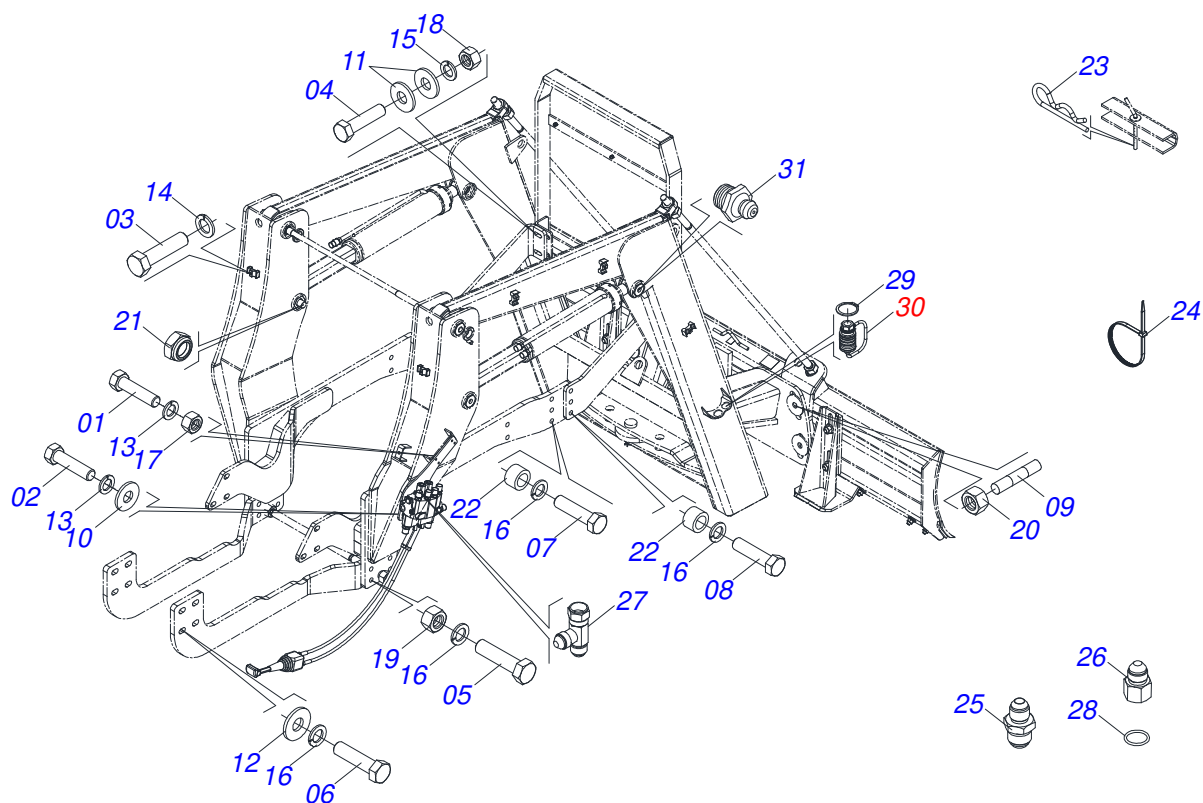
Item	Code	Description	See page	QT
01	0501042819	1.1/4" NC X 33.46" ASSY ROD	10	01
02	0521044193	1.1/4 NC X 1810 FULL ROD	11	02
03	0591018350	BRACKET FIXER RIGHT		01
04	0591018346	BRACKET FIXER LEFT		01
05	0531044005	SET SUPPORT JOY STICK	20	01
06	0501218193	COMMAND SUPPORT		01
07	0909096831	HYDRAULIC CIRCUIT	21	01
08	0531065312	SUPPORT		01
09	0501218157	FILTER SUPPORT		01
10	0501218155	1.1/4 UNF X 216 SCREW		04
11	0501219692	1.1/4 UNF X 98 BOLT		02
12	0501216423	WASHER HEX 37,8 X 58 X 9,50		06
13	0501010574	FLAT WASHER		04
14	0531011180	UPPER BODY CLIP		03
15	0501217728	LOCK FOR TRANSPORTATION		02
16	0581010090	SPRING PROTECTION PLASTIC HOSE		02
17	0511034079	PACKAGED PARTS	22	01
18	0511033668	BAG WITH INSTRUCTION MANUAL		01
19	0501068213	5/8" WRENCH DOUBLE		01
20	0501061617	1" GANG BOLT WRENCH		01
21	0501068994	8,30 X 78 LOCK PIN		02
22	0521047926	1/2" COMMAND	23	01
23	0591018326	ADAPTER		01
24	0501011460	7/8 NF REDUCTION NIPPLE		01



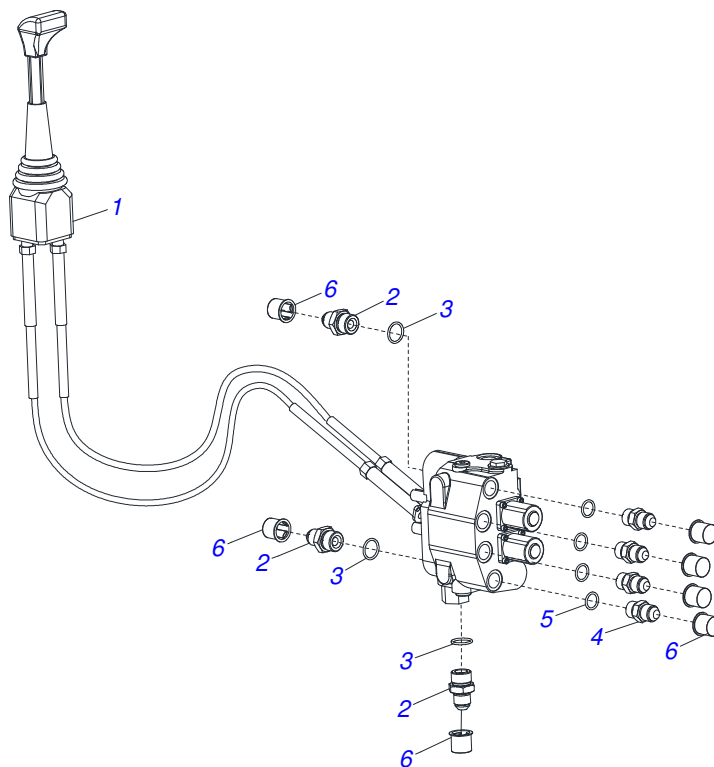
Item	Code	Description	See page	QT
01	0501217764	UPPER BODY JOYSTICK SUPPORT		01
02	0501217765	CENTRAL BODY JOYSTICK SUPPORT		01
03	0531065170	JOYSTICK BOTTOM SUPPORT		01
04	0503010849	3/8" X 1-1/2" BOLT		02
05	0501010984	10,50 X 27 X 3,00 FLAT WASHER		04
06	0503010026	3/8" NUT		02
07	0503010848	5/16" X 3.1/2" BOLT		04
08	0503010179	LOCK WASHER 5/16 ZN 1K01528		06
09	0501010694	FLAT WASHER		06
10	0503010337	5/16" NUT		06
11	0503011053	5/16" X 3" C S 6.5 ZN BOLT		02
12	0541015551	0.39" X 0.512" X 1.9" SLEEVE		02



Item	Code	Description	See page	QT
01	0521051770	HYDRAULIC CYLINDER	13	01
02	0521051768	HYDRAULIC CYLINDER	14	01
03	0511054457	ASSY SAFETY VALVE	15	02
04	0531051389	HOSE KIT		01
04A	0501080061	1/2" X 66.93" TR-TC HOSE		02
04B	0501080959	1/2 X 3400 HOSE		02
04C	0501080842	HOSE 1/2 X 4500 TR-TC		02
04D	0501080946	HOSE 1/2 X 4700 TC-TC		03



Item	Code	Description	See page	QT
01	0503010371	5/16" X 1" BOLT		04
02	0503016506	5/16 UNC X 3/4 C S G.5 ZN BOLT		04
03	0501011534	7/16" X 1-1/4" BOLT		03
04	0501010100	SCREW 5/8 UNC X 2 CS G.5 ZN		04
05	0503013394	3/4" X 3" BOLT		08
06	0503013111	M20 X 2,5 X 65 BOLT		14
07	0503013104	M20 X 2,5 X 80 BOLT		06
08	0503013103	M20 X 2,5 X 90 BOLT		06
09	0501010572	1" X 1" X 2.9" STUD		04
10	0501010694	FLAT WASHER		04
11	0501012140	FLAT WASHER		08
12	0501010322	FLAT WASHER		10
13	0503010179	LOCK WASHER 5/16 ZN 1K01528		08
14	0503010180	7/16" SPRING WASHER		03
15	0503010027	5/8 SPRING WASHER		04
16	0503010023	3/4" SPRING WASHER		34
17	0503010337	5/16" NUT		04
18	0503010013	5/8 NUT		04
19	0503010014	3/4" HEX NUT		08
20	0503010340	1" NUT		04
21	0503010044	1-1/4" SELF LOCKING NUT		06
22	0511018178	BUSHING		12
23	0503030168	HITCH PIN CLIP		02
24	0503013527	CLAMP ZIPER		10
25	0521010934	R.7/8 UNF X 1.1/16 UN X 60 NIPLE		01
26	0581010732	NIPLE R.7/8 UNF X R.1.1/16 JIC INTER		01
27	0503062177	7/8 (V.C) T-ADAPTER WITH NUT		02
28	0503010190	2-114 N 3006-9B O'RING		01
29	0503010217	501040 CLAMPING RING (FOR AXLE)		04
30	0501053835	FEMALE QUICK COUPLER	17	02
31	0503010002	1800 GREASE FITTING		06



Item	Code	Description	See page	QT
01	0503062415	COMPLETE JOYSTICK CONTROL SDM122/2		01
02	0511018014	7/8"NF X 1.1/16 UN NIPPLE		03
03	0503011109	2-119 N 3006-9B O'RING		03
04	0501010590	NIPPLE		04
05	0503010045	O'RING		04
06	0503030387	PLUG		07



MARCHESAN

Technical Publications | Elaboration and Revision

LORENA ROCHA ALVES

www.marchesan.com.br

