

**PD - FRONT LOADER**

**PD 600**

**Code:** 0501093564

**Series:** S-0120

**Revision:** 00

**Date Revision:** JULHO/2023

# PARTS CATALOGUE



**MARCHESAN**



# PRODUCTS

Code	Description
0106030466	PD 600 S-0120
0106030467	PD 600 S-0120

## ATTENTION: IMPORTANT

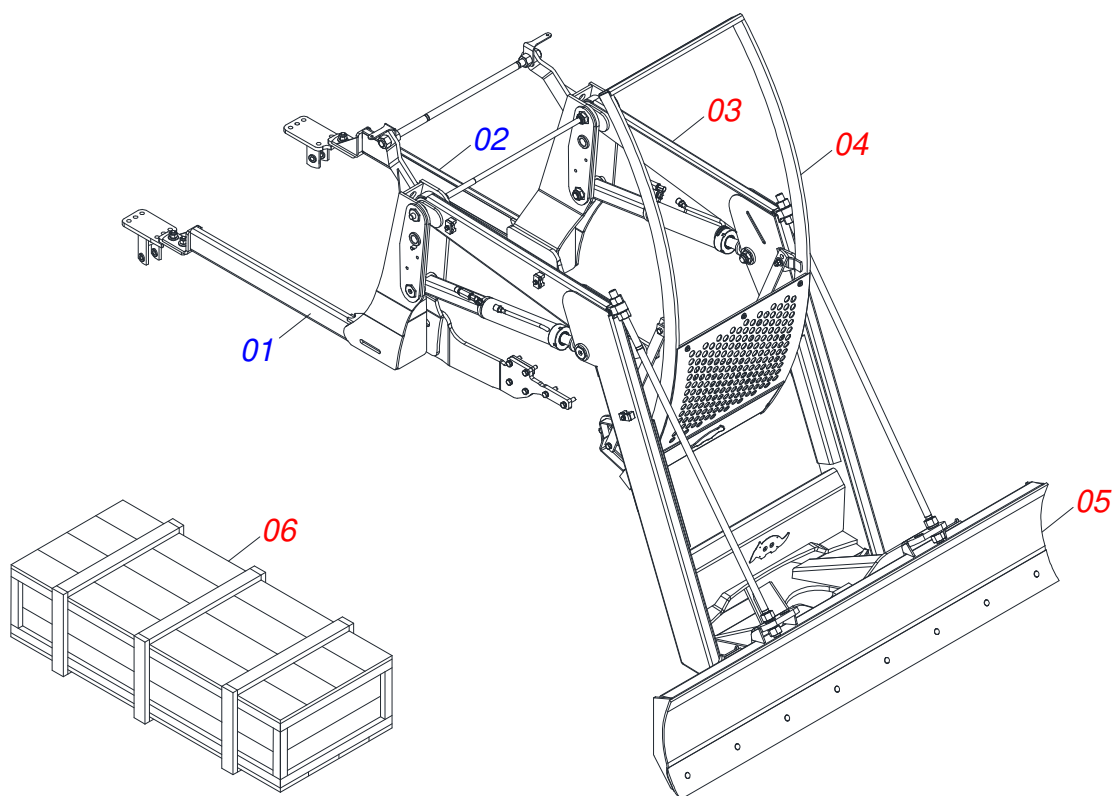
Marchesan S.A. reserves the right to improve and/or modify the technical features of its products, without obligation to do the same with those products already sold and without prior knowledge of the dealer or the customer. The photos are only illustrative.



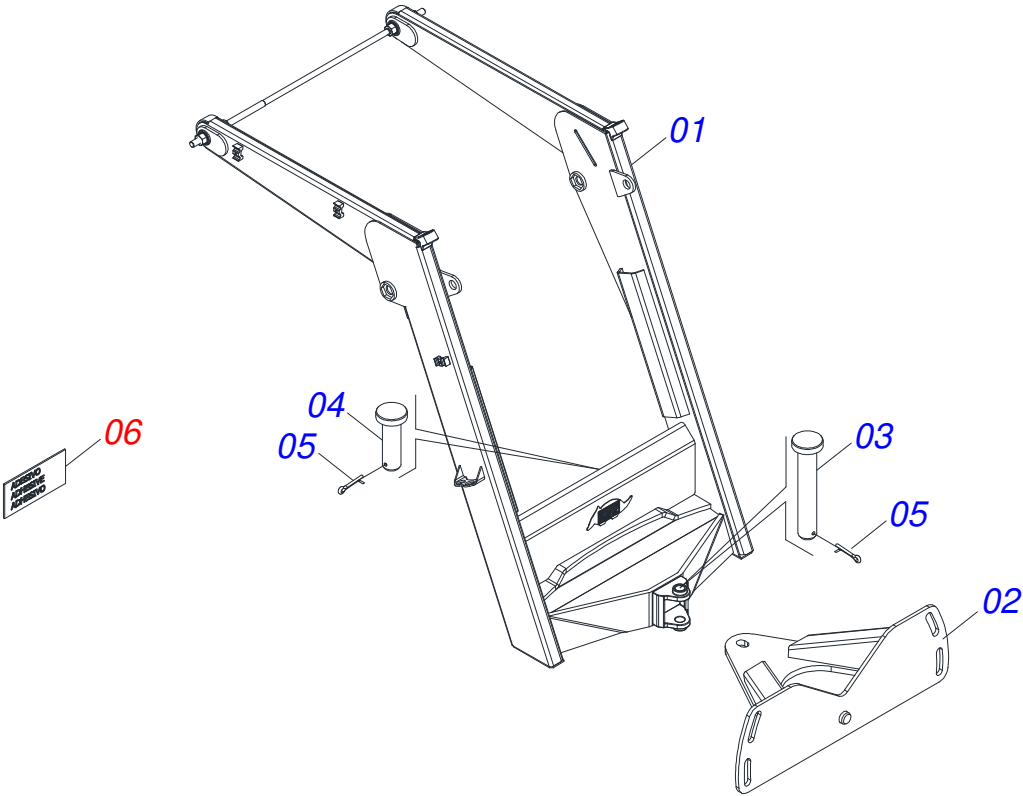
**MARCHESAN**

# INDEX

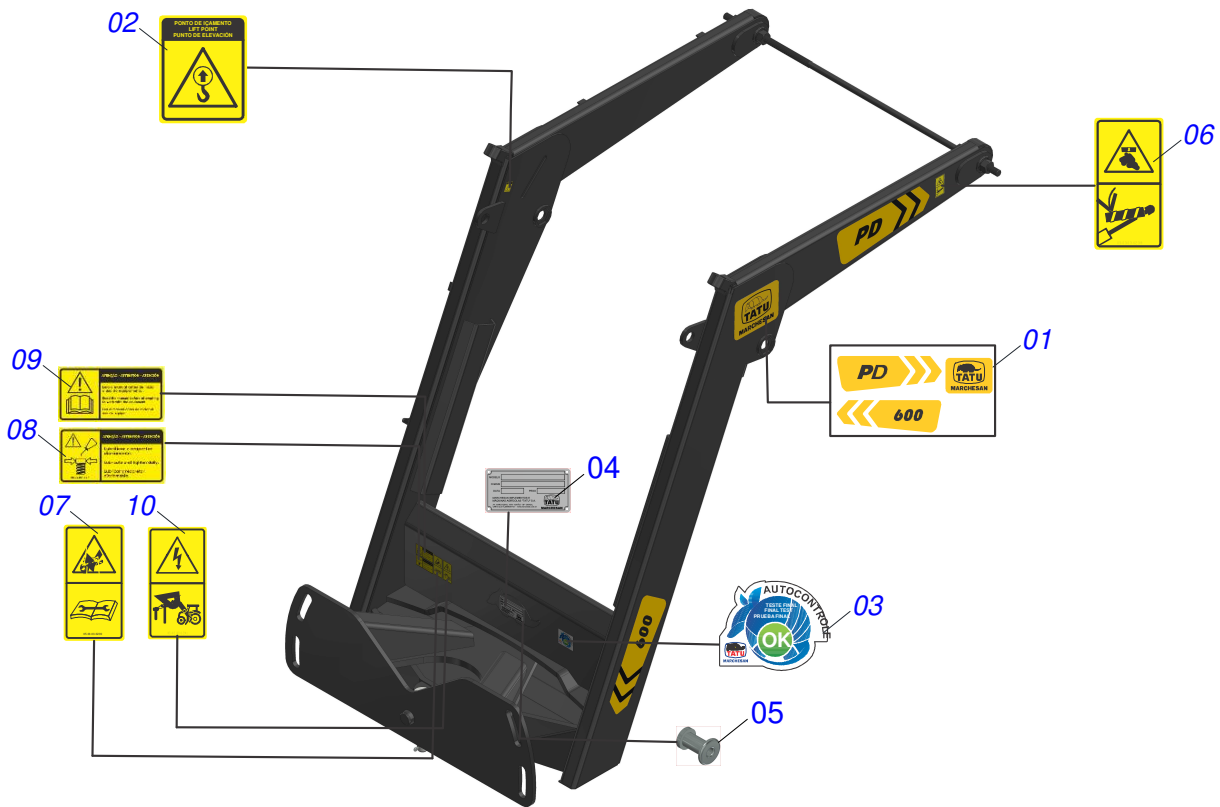
0909096789	PD 600	.....	1
0521049957	MOBILE SUPPORT ASSY	.....	2
0909096780	LABEL SET	.....	3
0501048330	MOBILE SUPPORT GUIDE ASSY	.....	4
0511047750	2400 SCRAPER ASSY WITH STABILIZER BRACKET	.....	5
0501047708	2400 BLADE SUPPORT	.....	6
0909091585	LABEL SET	.....	7
0521026103	BOX WITH COMPONENTS	.....	8
0511043351	1.1/4" X 40" ROD	.....	9
0521047923	ROD	.....	10
0909095965	HYDRAULIC CIRCUIT	.....	11
0521049955	HIDRAULIC CYLINDER	.....	12
0521049956	HIDRAULIC CYLINDER	.....	13
0511057771	R.7/8UNF - SAFETY VALVE	.....	14
0511033761	PACKED PARTS	.....	15
0501053835	FEMALE QUICK COUPLER	.....	16
0501053834	MALE QUICK COUPLER	.....	17
0521026105	BOX WITH COMPONENTS	.....	18
0531044005	SET SUPPORT JOY STICK	.....	19
0521047926	1/2" COMMAND	.....	20
0909096364	HYDRAULIC CIRCUIT	.....	21
0511033764	PACKED PARTS	.....	22



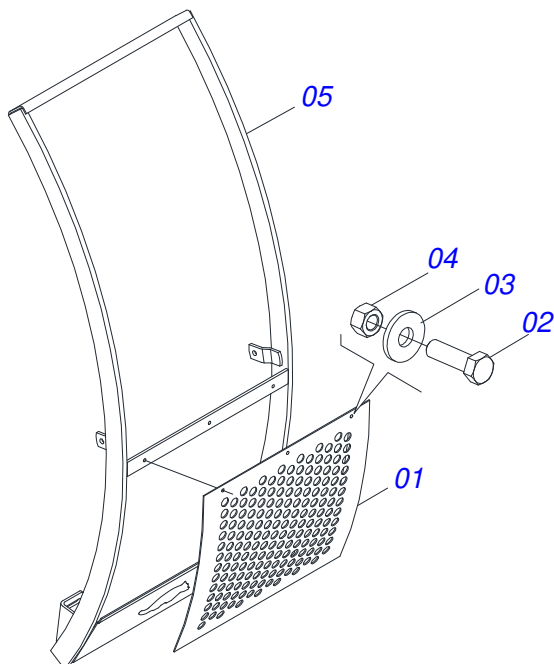
Item	Code	Description	See page	QT
01	0531064803	ASSY FRAME		01
02	0531064804	ASSY FRAME		01
03	0521049957	MOBILE SUPPORT ASSY	2	01
04	0501048330	MOBILE SUPPORT GUIDE ASSY	4	01
05	0511047750	2400 SCRAPER ASSY WITH STABILIZER BRACKET	5	01
06	0521026103	BOX WITH COMPONENTS	8	01
06.	0521026105	BOX WITH COMPONENTS	18	01



Item	Code	Description	See page	QT
01	0531060773	MOBILE SUPPORT		01
02	0501062637	5/8" REGULATOR SUPPORT		01
03	0521010618	1.4" X 8.6" COUPLING SHAFT		01
04	0521010612	1.4" X 3.5" COUPLING SHAFT		01
05	0503010010	1/4" X 2.1/2" COTTERPIN		02
06	0909096780	LABEL SET	3	01

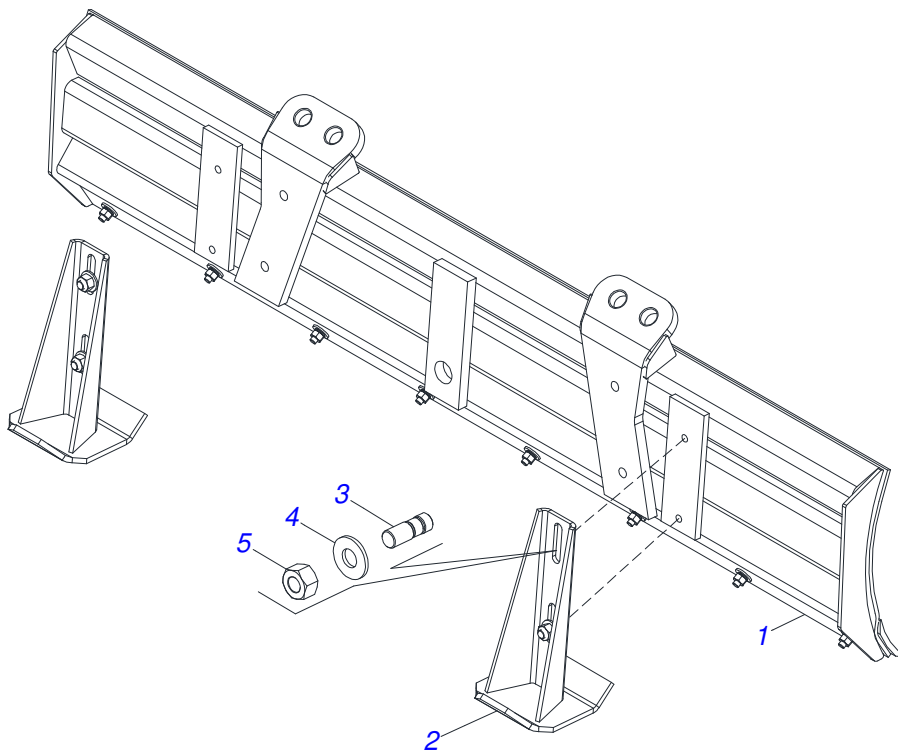


Item	Code	Description	See page	QT
01	0503064055	ADHESIVE LABEL SET		01
02	0503034078	LIFTING POINTS DECAL		01
03	0503031087	ADHESIVE LABEL		01
04	0503034003	SERIAL NUMBER TAG 61 X 118		01
05	0503010001	3.2 X 5.5 RIVET		04
06	0503036238	ADHESIVE LABEL SAFETY LOCKING HYDRAULIC CYLINDERS		01
07	0503036239	ADHESIVE LABEL ATTENTION FLUIDS WITH PRESSURE		01
08	0503031827	LUBRICATE AND RETIGHTEN DAILY DECAL		01
09	0503031428	READ MANUAL DECAL		01
10	0503036241	ADHESIVE LABEL SAFETY CAUTION SHOCK HAZARD		01



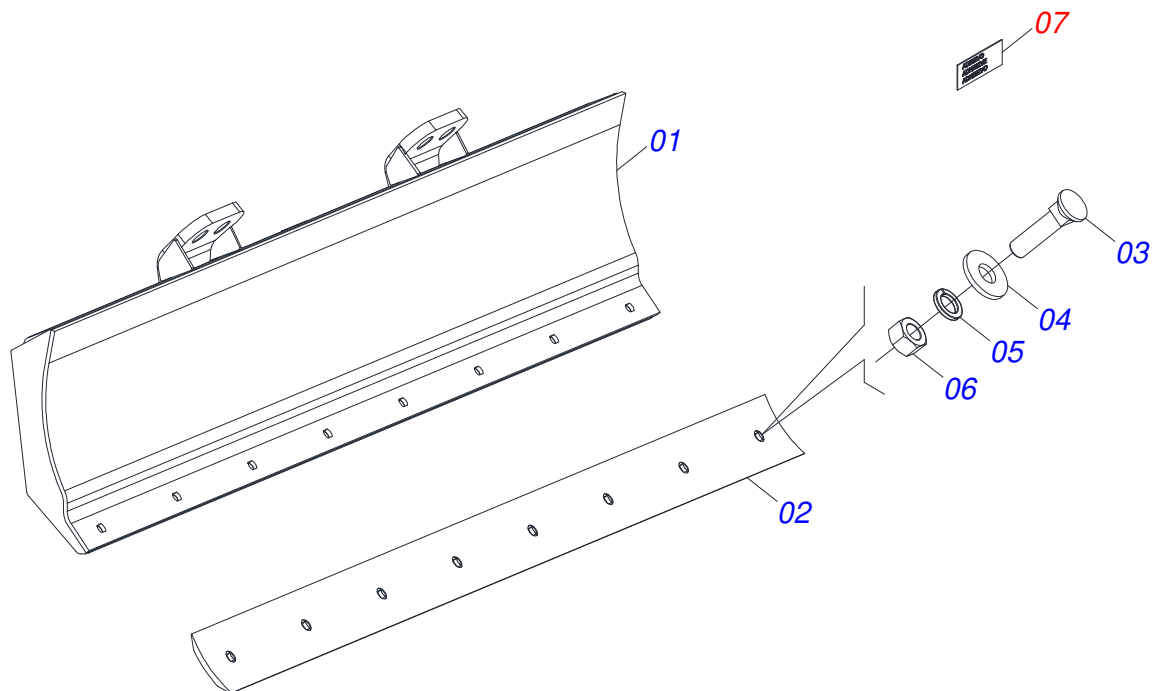
Item	Code	Description	See page	QT
01	0501014686	FRONT PROTECTION		01
02	0503010751	C3/8" X 1.1/4" HEX BOLT G.5		03
03	0501010984	10,50 X 27 X 3,00 FLAT WASHER		03
04	0503010026	3/8" NUT		03
05	0521064583	MOBILE SUPPORT GUIDE		01

2400 SCRAPER ASSY WITH STABILIZER BRACKET

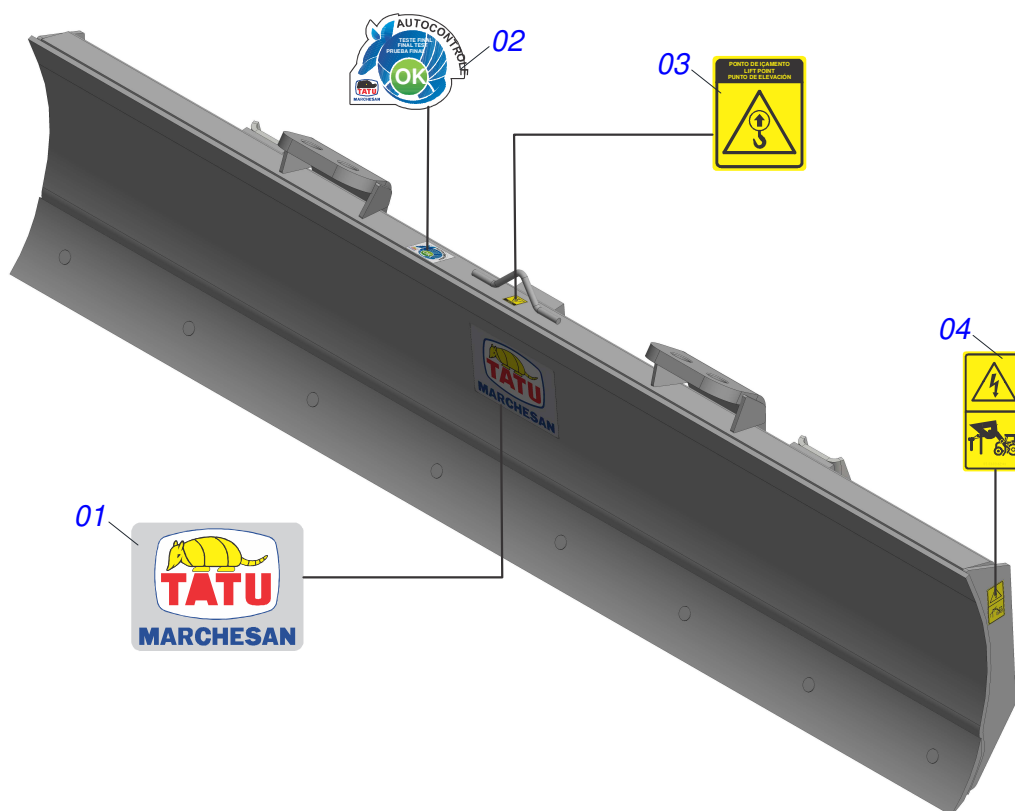


Item	Code	Description	See page	QT
01	0501047708	2400 BLADE SUPPORT	6	01
02	0501063411	ESTABILIZER BRACKET		02
03	0561016756	3/4 UNC X 3/4 UNC X 56 PRISONER		04
04	0501010322	FLAT WASHER		04
05	0503010014	3/4" HEX NUT		04

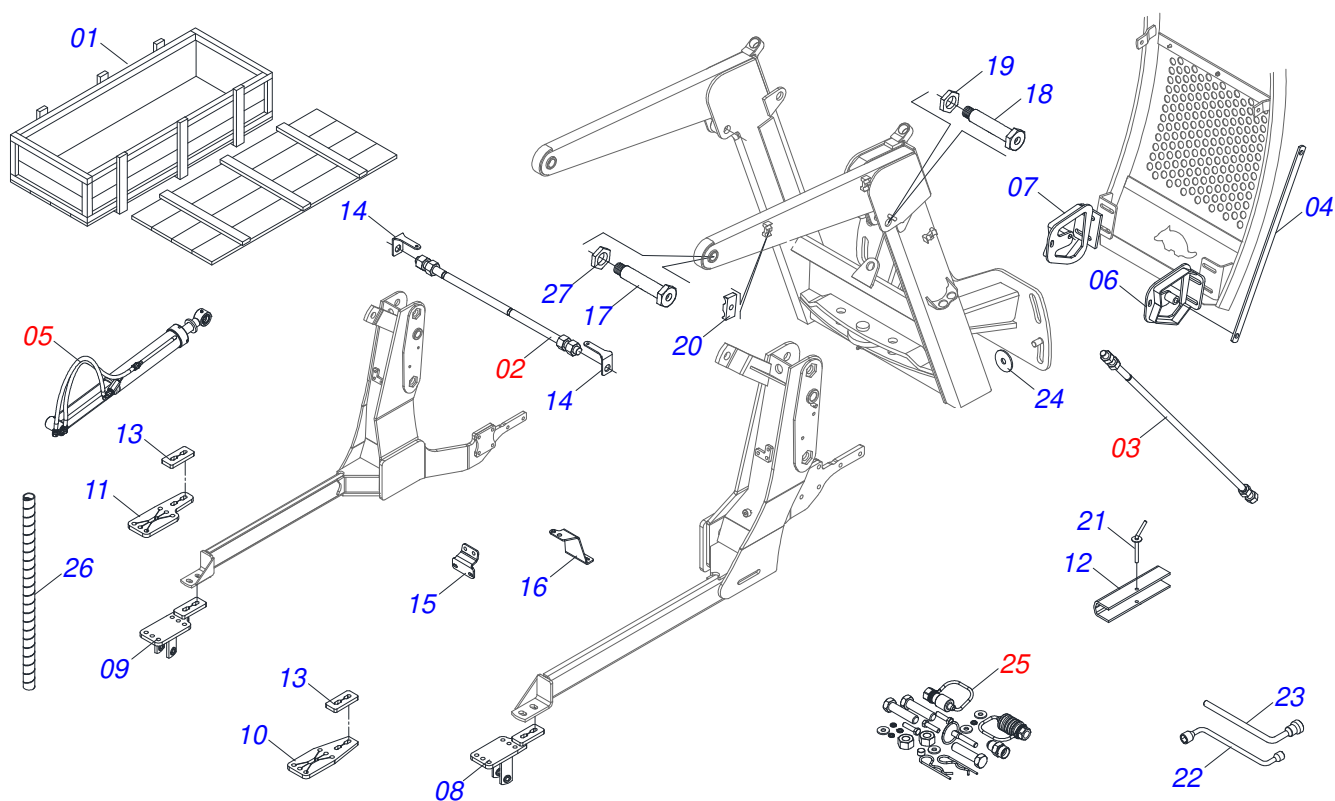




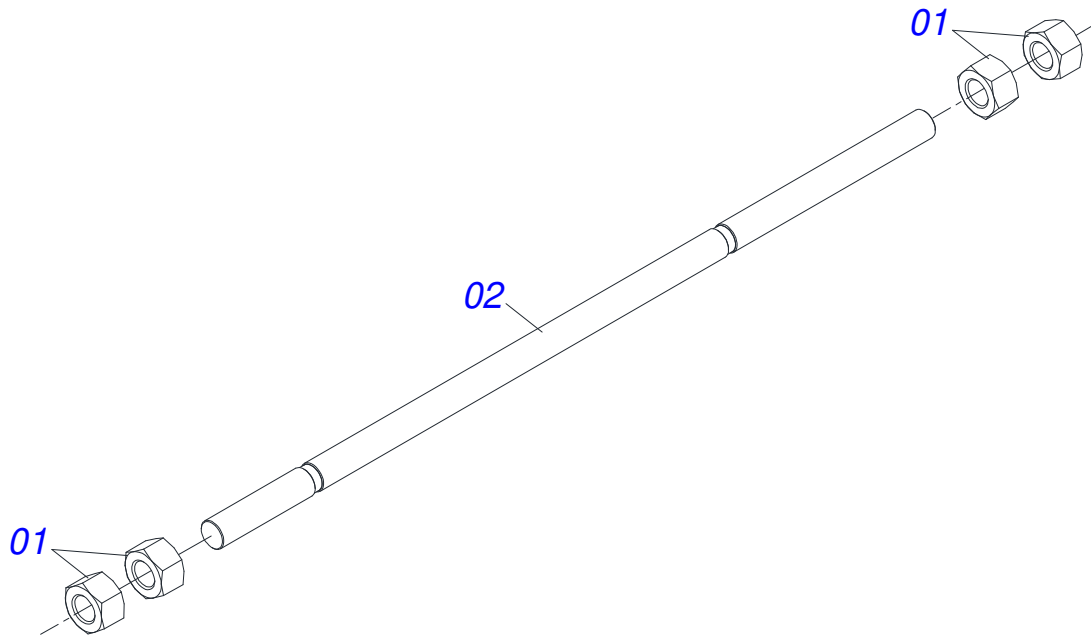
Item	Code	Description	See page	QT
01	0501067999	2390 BLADE SUPPORT		01
02	0622360016	94.5" SCRAPER REVERSIBLE		01
03	0501012240	BOLT		08
04	0501012140	FLAT WASHER		08
05	0503011445	SPRING WASHER		08
06	0503010013	5/8 NUT		08
07	0909091585	LABEL SET	7	01



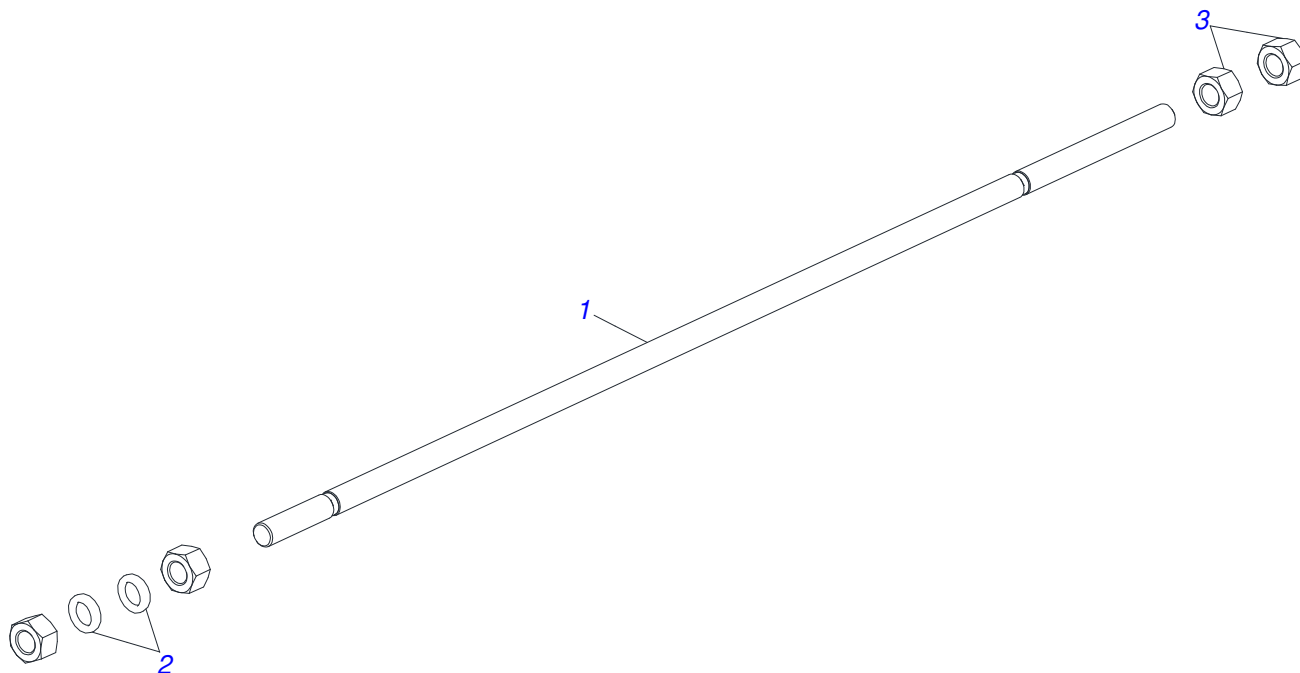
Item	Code	Description	See page	QT
01	0503033429	ADHESIVE LABEL		01
02	0503031087	ADHESIVE LABEL		01
03	0503034078	LIFTING POINTS DECAL		02
04	0503036241	ADHESIVE LABEL SAFETY CAUTION SHOCK HAZARD		01



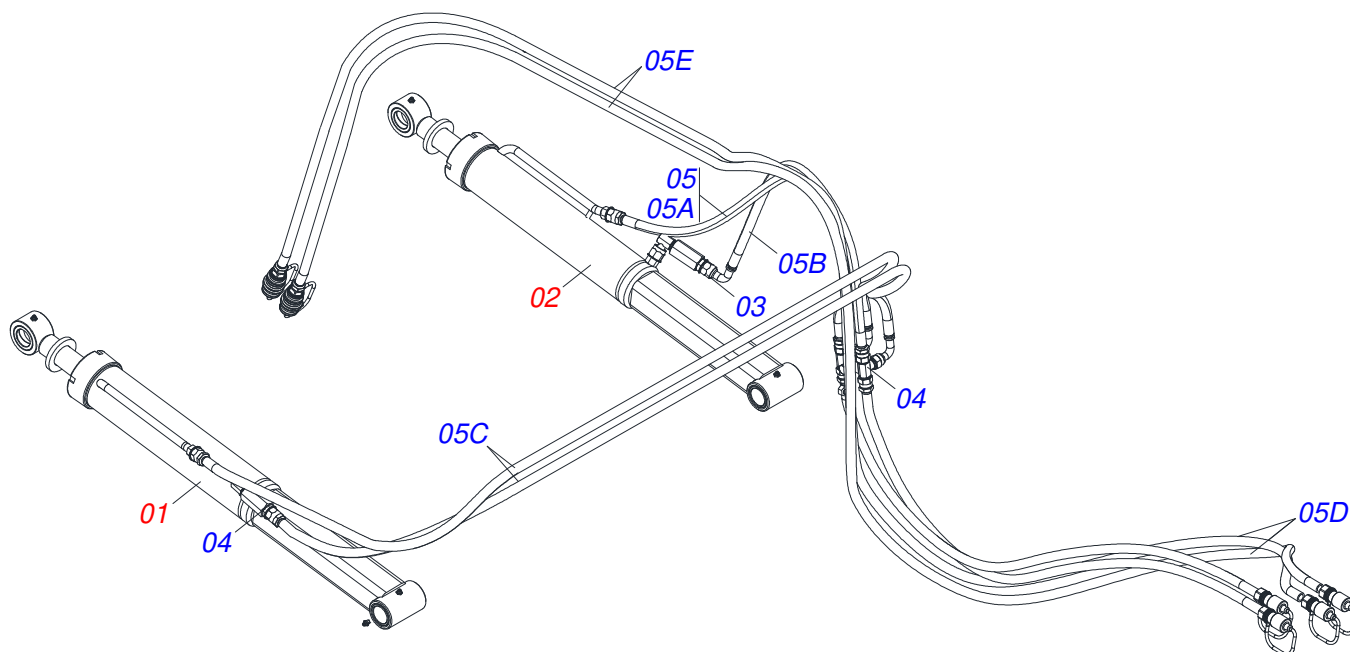
Item	Code	Description	See page	QT
01	0501100007	BOX WOOD 2150X400X440		01
02	0511043351	1.1/4" X 40" ROD	9	01
03	0521047923	ROD	10	02
04	0521063340	ANGULAR SUPPORT WITH SLEEVE		02
05	0909095965	HYDRAULIC CIRCUIT	11	01
06	0521061643	MOBILE SUPPORT RIGHT GUIDE		01
07	0521061644	LEFT GUIDE MOVEL SUPPORT		01
08	0531065206	DIFFERENTIAL RIGHT SUPPORT		01
09	0531065205	LEFT DIFFERENTIAL SUPPORT		01
10	0501218206	SHOE CHASSIS		01
11	0501218207	DIFFERENTIAL SHOE		01
12	0501217728	LOCK FOR TRANSPORTATION		02
13	0501217846	SUPPORT BODY		02
14	0501217853	HEADLIGHT SUPPORT		02
15	0501218204	DIESEL OIL FILTER SUPPORT		01
16	0501218205	FUEL TANK SUPPORT		01
17	0501216406	SCREW 1.1/4" UNF X 147		04
18	0571018265	1.1/4" UNF X 4,40" ZN BOLT		02
19	0501216423	WASHER HEX 37,8 X 58 X 9,50		02
20	1902010477	UPPER CLAMP BODY		03
21	0501068994	8,30 X 78 LOCK PIN		02
22	0501068213	5/8" WRENCH DOUBLE		01
23	0501061617	1" GANG BOLT WRENCH		01
24	0501010574	FLAT WASHER		04
25	0511033761	PACKED PARTS	15	01
26	0581010090	SPRING PROTECTION PLASTIC HOSE		02
27	0501010574	FLAT WASHER		04



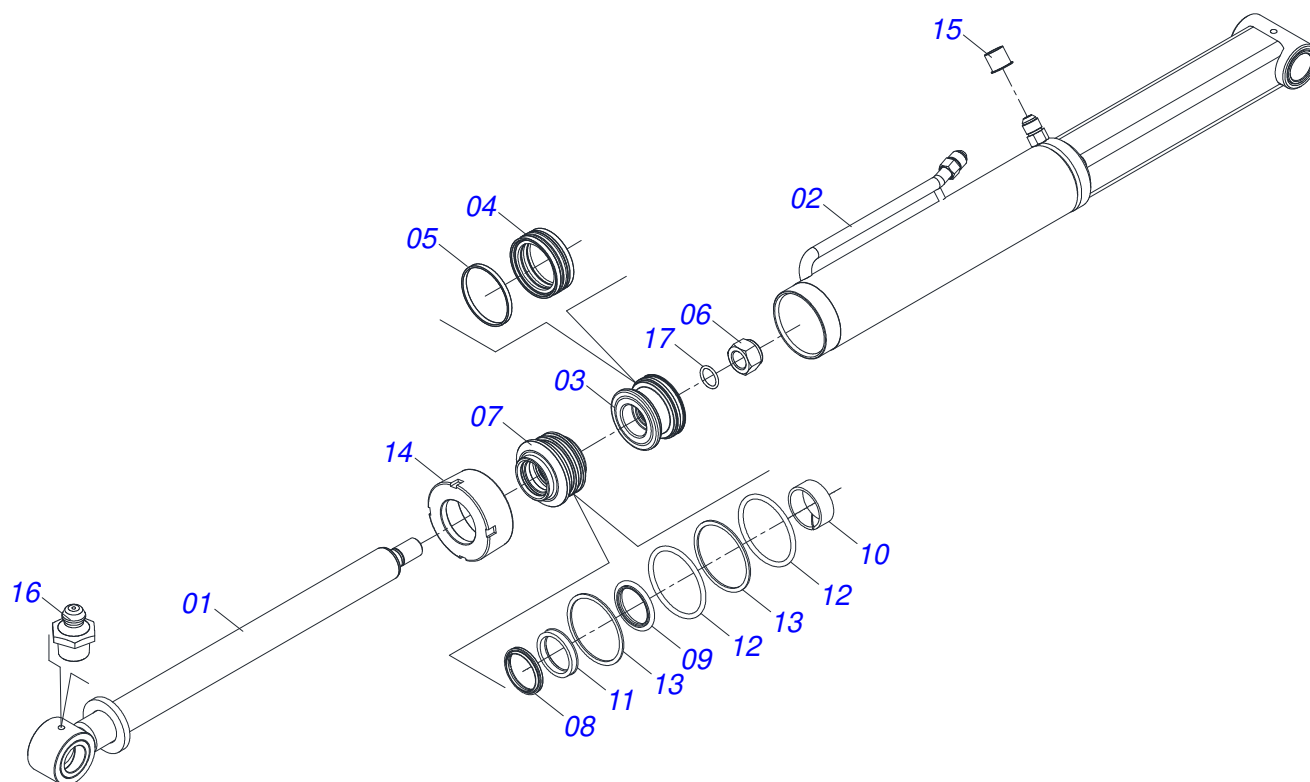
Item	Code	Description	See page	QT
01	0501010087	1.1/4" NUT		04
02	0541015018	1.1/4" NC X 40" ROD		01



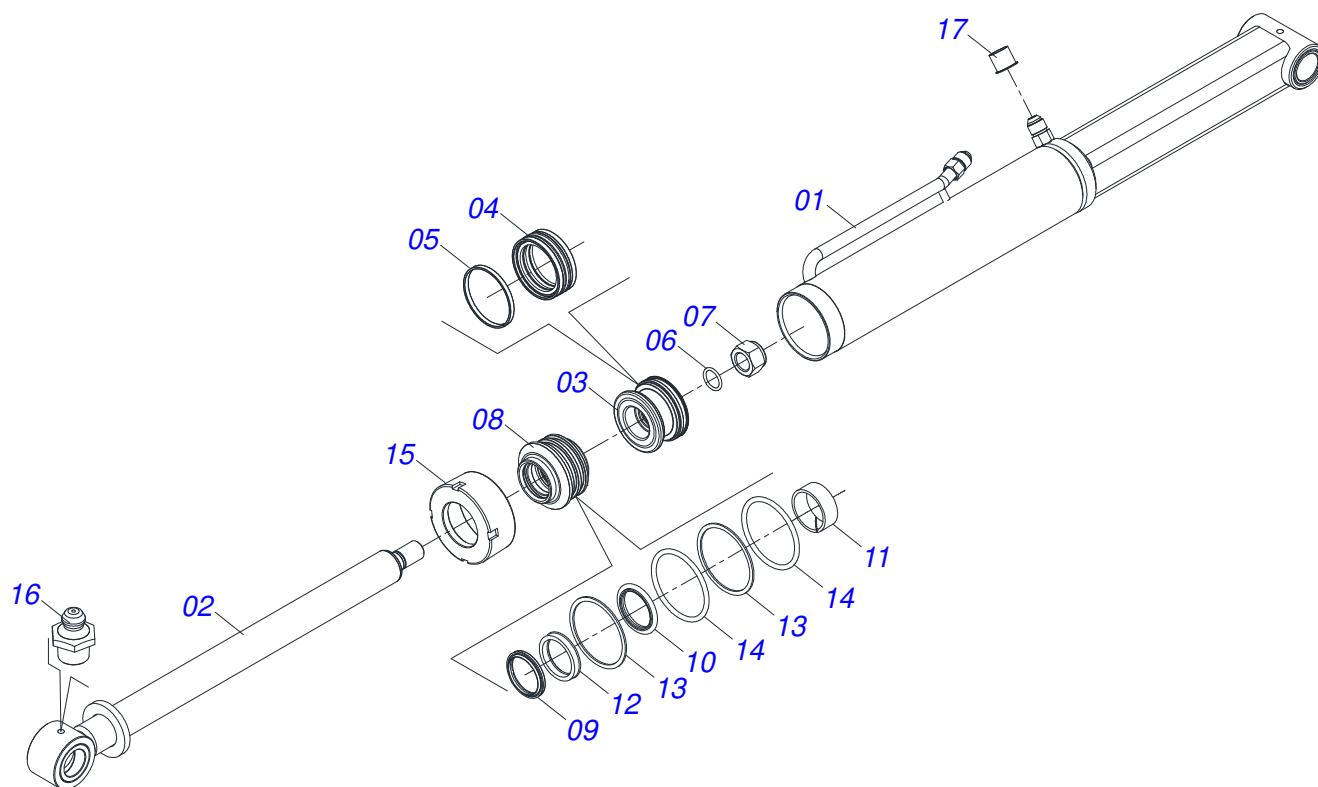
Item	Code	Description	See page	QT
01	0581016637	ROD		01
02	0502012180	CONICAL SPRING WASHER		02
03	0501010087	1.1/4" NUT		04



Item	Code	Description	See page	QT
01	0521049955	HIDRAULIC CYLINDER	12	01
02	0521049956	HIDRAULIC CYLINDER	13	01
03	0521064869	7/8UNF JIC OIL DISTRIBUTOR		01
04	0511057771	R.7/8UNF - SAFETY VALVE	14	02
05	0521050822	HOSE KIT		01
05A	0501080825	1/2" X 1100 TR-TC HOSE		01
05B	0501080119	HOSE		01
05C	0501080016	1/2 X 2800 TR-TC HOSE		02
05D	0501080308	1/2 X 2750 TR-TM HOSE		02
05E	0501081929	HOSE 1/2 X 4500 TM-TM		02

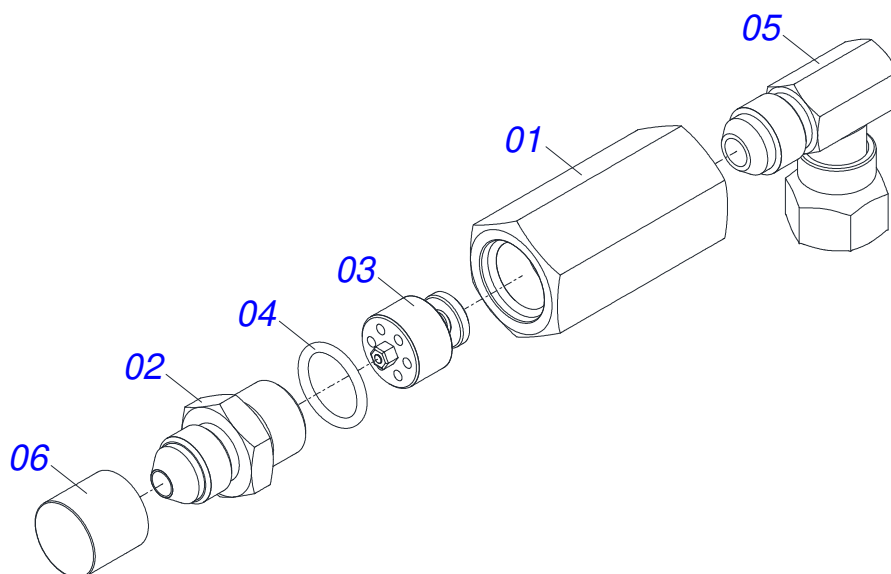


Item	Code	Description	See page	QT
01	0531060777	ROD		01
02	0511071829	CASE BODY		01
03	0571019710	1.7" X 3.4" PISTON		01
04	0503017935	RING		01
05	0503018144	RING		01
06	0503010063	1" SELF-ALIGNING NUT		01
07	0571019711	RING SUPPORT		01
08	0503010761	D-1750 SCRAPER RING		01
09	0503017936	RING		01
10	0503017938	RING GUIDE		01
11	0503017937	GASKET		01
12	0503017939	2-337 N 3006-9B O' RING		02
13	0503017940	8-337 BACK-UP RING		02
14	0571019709	DETACHABLE COVER		01
15	0503030387	PLUG		02
16	0503010002	1800 GREASE FITTING		02
17	0503010042	2-214 N 3006-9B O'RING		01

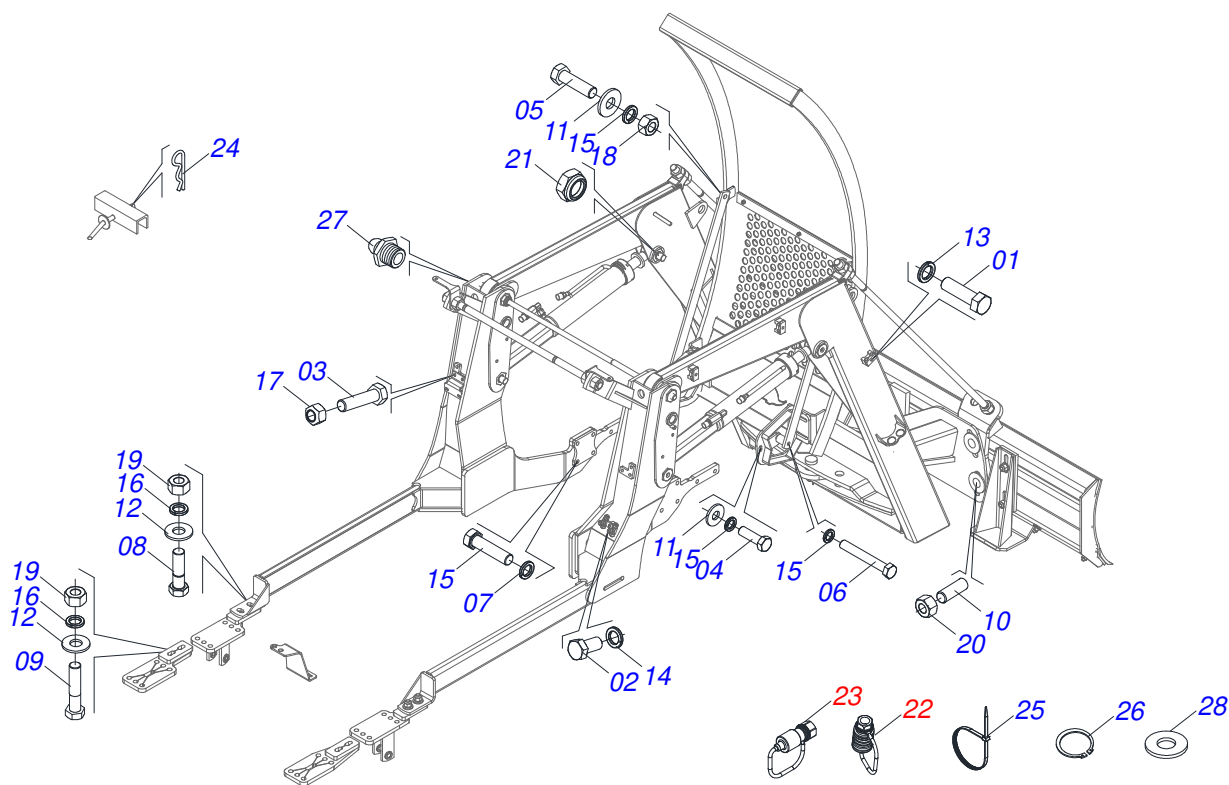


Item	Code	Description	See page	QT
01	0511071873	CASE BODY		01
02	0531060777	ROD		01
03	0571019710	1.7" X 3.4" PISTON		01
04	0503017935	RING		01
05	0503018144	RING		01
06	0503010042	2-214 N 3006-9B O'RING		01
07	0503010063	1" SELF-ALIGNING NUT		01
08	0571019711	RING SUPPORT		01
09	0503010761	D-1750 SCRAPER RING		01
10	0503017936	RING		01
11	0503017938	RING GUIDE		01
12	0503017937	GASKET		01
13	0503017940	8-337 BACK-UP RING		02
14	0503017939	2-337 N 3006-9B O' RING		02
15	0571019709	DETACHABLE COVER		01
16	0503010002	1800 GREASE FITTING		02
17	0503030387	PLUG		02

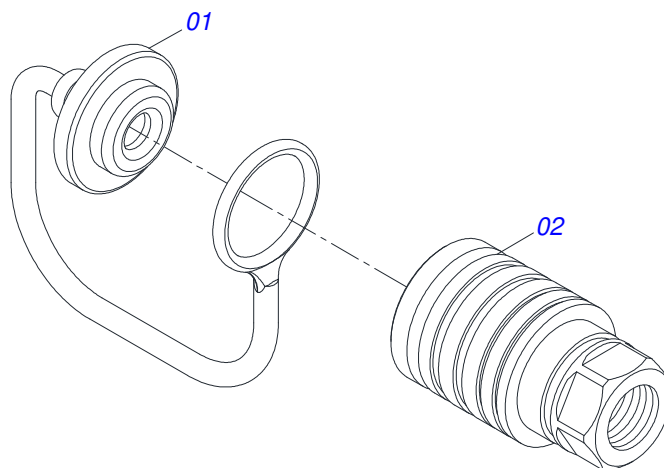




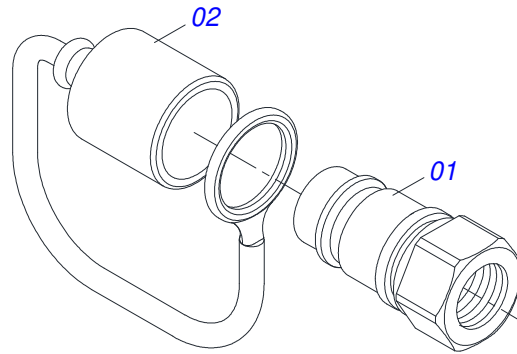
Item	Code	Description	See page	QT
01	0503018033	37 X R.7/8 UNF 90° JIC MALE CONNECTOR WITH ROTATING NUT		01
02	0581014053	1/2 BSP X 7/8 UNF JIC X 64 ADAPTER		01
03	0503016854	SAFETY VALVE		01
04	0503010045	O'RING		01
05	0581014052	1/2 BSP X 7/8 UNF JIC X 43 NIPLE		01
06	0503030387	PLUG		01



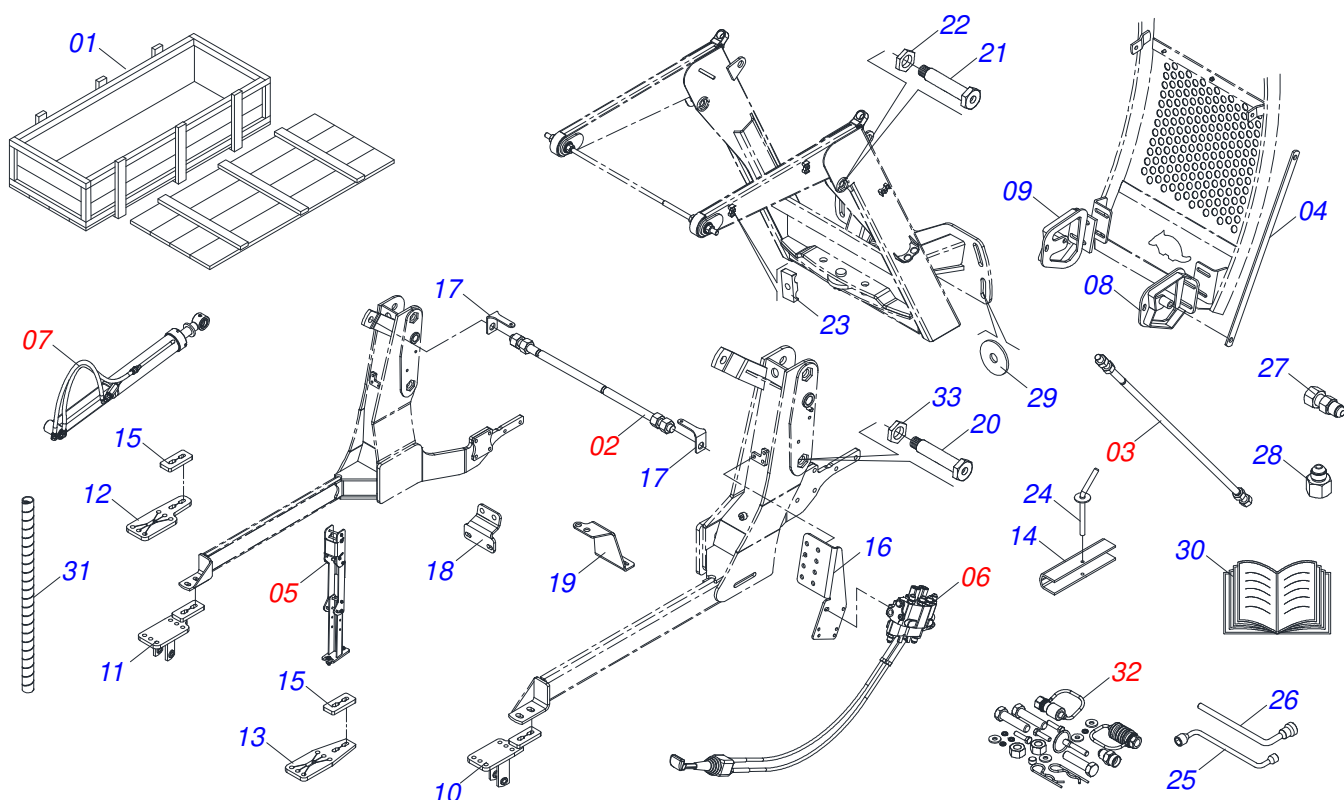
Item	Code	Description	See page	QT
01	0503011135	BOLT		04
02	0503010834	1/2 X 1 BOLT		01
03	0501010077	1/2" X 2" BOLT		02
04	0501010100	SCREW 5/8 UNC X 2 CS G.5 ZN		02
05	0503010899	5/8 UNC X 2.1/4 BOLT		06
06	0501010163	5/8" X 4-1/2" BOLT		02
07	0503012573	M16 X 2 X 65 BOLT		12
08	0501010827	3/4" X 2-3/4" BOLT		04
09	0503010901	3/4UNC 3.1/2 BOLT		04
10	0561016755	PRISONER 1 UNC X 1 UNC X 76 ZN		04
11	0501012140	FLAT WASHER		12
12	0501010322	FLAT WASHER		08
13	0503010180	7/16" SPRING WASHER		04
14	0503010019	1/2" SPRING WASHER		01
15	0503010027	5/8 SPRING WASHER		22
16	0503010023	3/4" SPRING WASHER		04
17	0503011336	1/2" HEX SELF ADJUSTING NUT		02
18	0503010013	5/8 NUT		06
19	0503010014	3/4" HEX NUT		04
20	0501010059	1.5/8 NUT		04
21	0503010044	1-1/4" SELF LOCKING NUT		06
22	0501053835	FEMALE QUICK COUPLER	16	02
23	0501053834	MALE QUICK COUPLER	17	04
24	0503030168	HITCH PIN CLIP		02
25	0503013527	CLAMP ZIPER		10
26	0503010217	501040 CLAMPING RING (FOR AXLE)		04
27	0503010002	1800 GREASE FITTING		06
28	0501010694	FLAT WASHER		01



Item	Code	Description	See page	QT
01	0503011883	QUICK CONNECTION COVER		01
02	0503011628	FEMALE QUICK COUPLER		01



Item	Code	Description	See page	QT
01	0503011627	MALE QUICK COUPLER AGR 1/2 NPT		01
02	0503011882	MALE QUICK COUPLER CAP		01



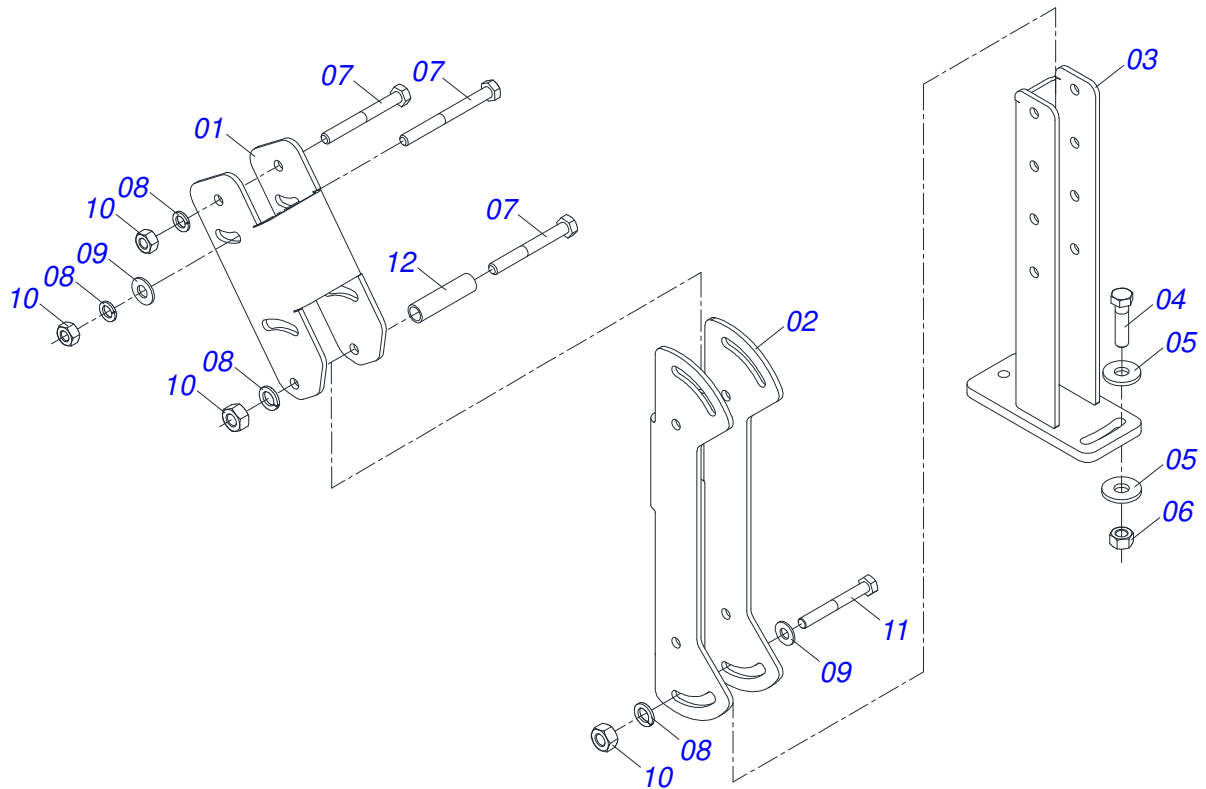
Item	Code	Description	See page	QT
01	050110007	BOX WOOD 2150X400X440		01
02	0511043351	1.1/4" X 40" ROD	9	01
03	0521047923	ROD	10	02
04	0521063340	ANGULAR SUPPORT WITH SLEEVE		02
05	0531044005	SET SUPPORT JOY STICK	19	01
06	0521047926	1/2" COMMAND	20	01
07	0909096364	HYDRAULIC CIRCUIT	21	01
08	0521061643	MOBILE SUPPORT RIGHT GUIDE		01
09	0521061644	LEFT GUIDE MOVEL SUPPORT		01
10	0531065206	DIFFERENTIAL RIGHT SUPPORT		01
11	0531065205	LEFT DIFFERENTIAL SUPPORT		01
12	0501218207	DIFFERENTIAL SHOE		01
13	0501218206	SHOE CHASSIS		01
14	0501217728	LOCK FOR TRANSPORTATION		02
15	0501217846	SUPPORT BODY		02
16	0501218082	CONTROL FIXING BASE		01
17	0501217853	HEADLIGHT SUPPORT		02
18	0501218204	DIESEL OIL FILTER SUPPORT		01
19	0501218205	FUEL TANK SUPPORT		01
20	0501216406	SCREW 1.1/4" UNF X 147		04
21	0571018265	1.1/4" UNF X 4,40" ZN BOLT		02
22	0501216423	WASHER HEX 37,8 X 58 X 9,50		02
23	1902010477	UPPER CLAMP BODY		03
24	0501068994	8,30 X 78 LOCK PIN		02
25	0501068213	5/8" WRENCH DOUBLE		01
26	0501061617	1" GANG BOLT WRENCH		01
27	0521068623	7/8 ADAPTER		01
28	0571019584	7/8 UNF NIPLE		01
29	0501010574	FLAT WASHER		04
30	0511033668	BAG WITH INSTRUCTION MANUAL		01
31	0581010090	SPRING PROTECTION PLASTIC HOSE		02



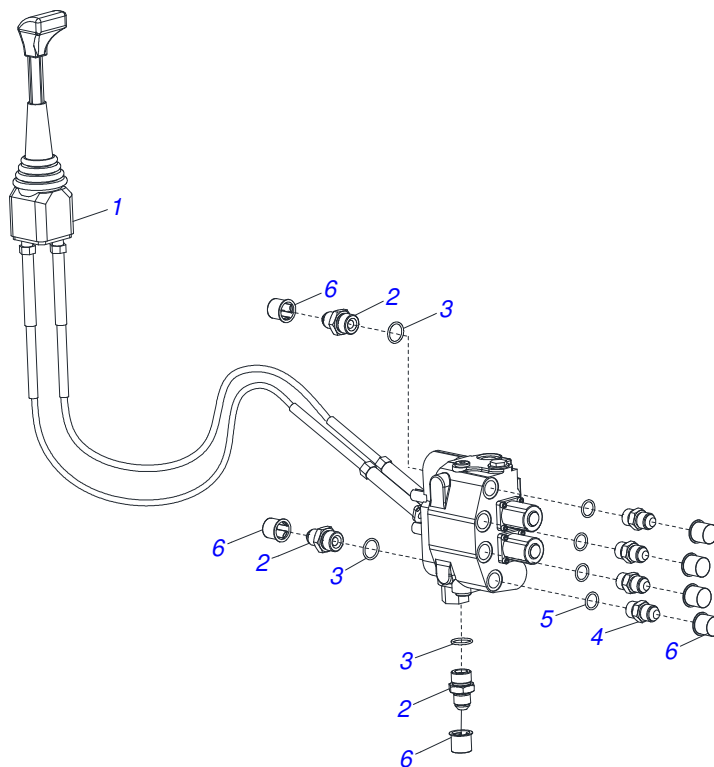
## BOX WITH COMPONENTS

0521026105

Item	Code	Description	See page	QT
32	0511033764	PACKED PARTS	22	01
33	0501216405	WASHER 37,8 EXTERNAL HEXAGON 58 X 8,00		04

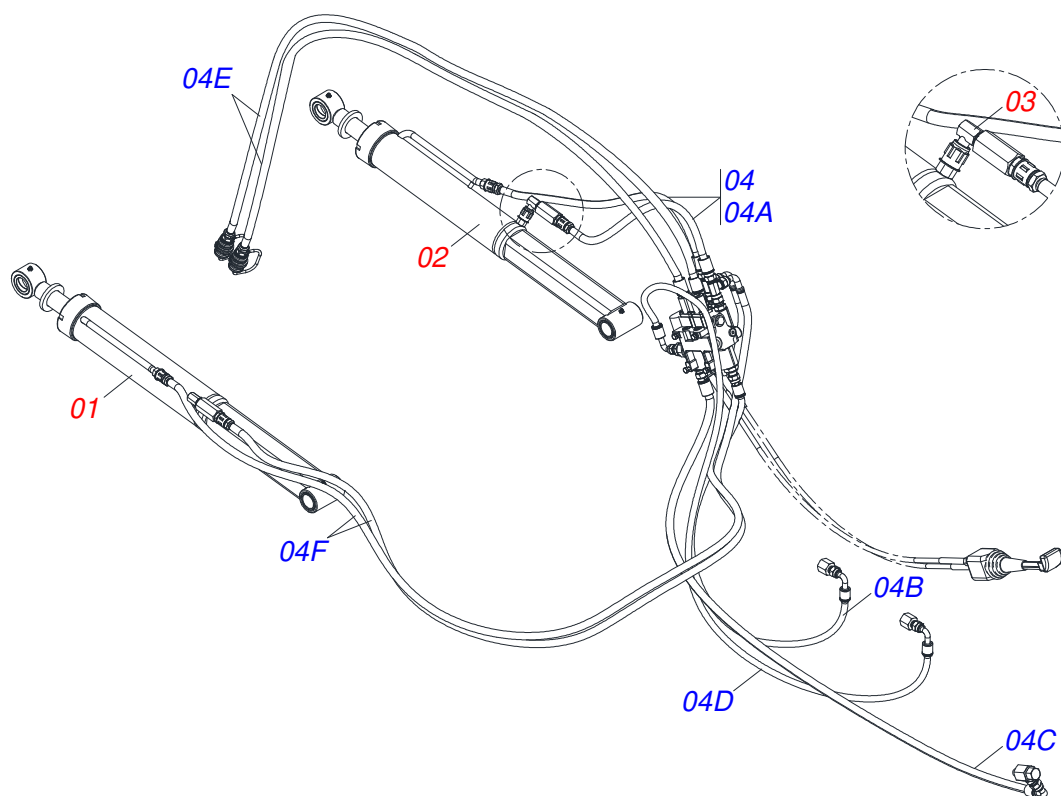


Item	Code	Description	See page	QT
01	0501217764	UPPER BODY JOYSTICK SUPPORT		01
02	0501217765	CENTRAL BODY JOYSTICK SUPPORT		01
03	0531065170	JOYSTICK BOTTOM SUPPORT		01
04	0503010849	3/8" X 1-1/2" BOLT		02
05	0501010984	10,50 X 27 X 3,00 FLAT WASHER		04
06	0503010026	3/8" NUT		02
07	0503010848	5/16" X 3.1/2" BOLT		04
08	0503010179	LOCK WASHER 5/16 ZN 1K01528		06
09	0501010694	FLAT WASHER		06
10	0503010337	5/16" NUT		06
11	0503011053	5/16" X 3" C S 6.5 ZN BOLT		02
12	0541015551	0.39" X 0.512" X 1.9" SLEEVE		02

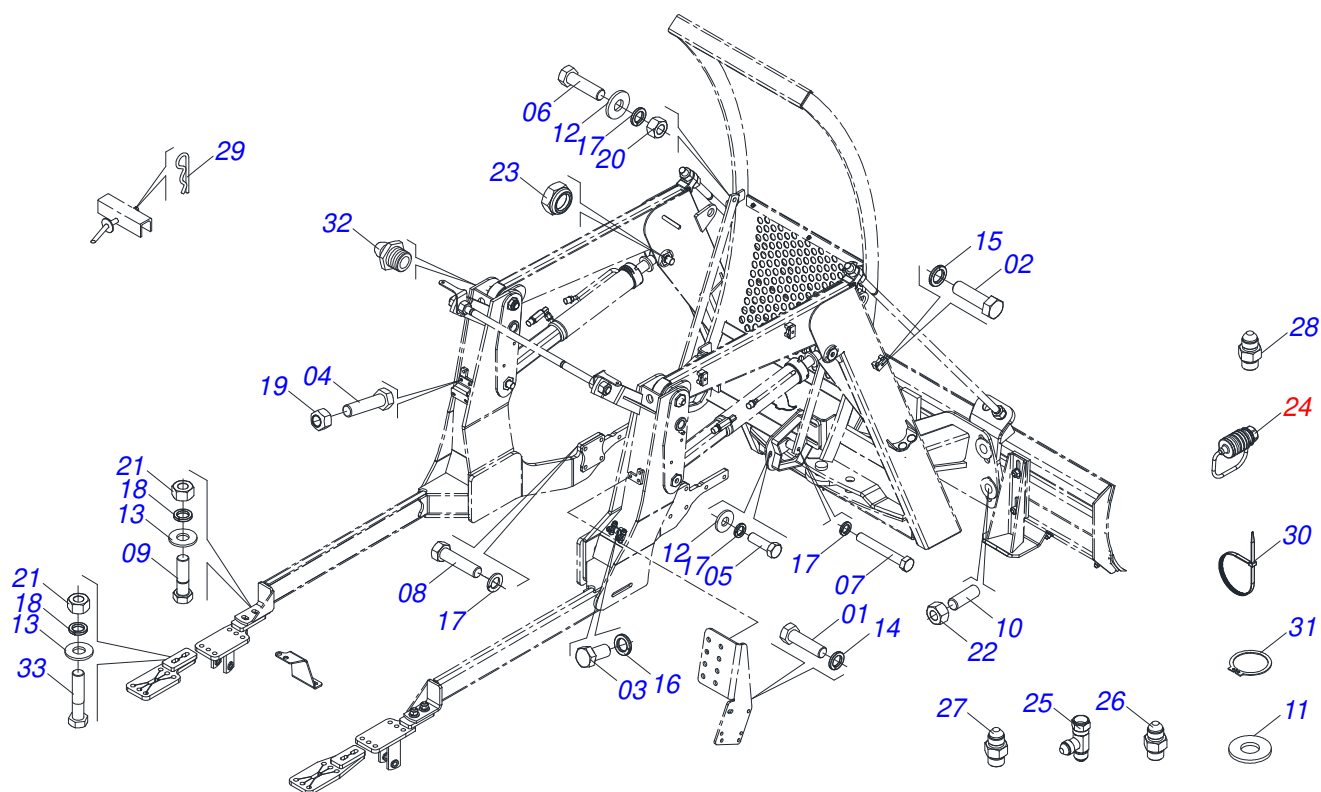


Item	Code	Description	See page	QT
01	0503062415	COMPLETE JOYSTICK CONTROL SDM122/2		01
02	0511018014	7/8"NF X 1.1/16 UN NIPPLE		03
03	0503011109	2-119 N 3006-9B O'RING		03
04	0501010590	NIPPLE		04
05	0503010045	O'RING		04
06	0503030387	PLUG		07





Item	Code	Description	See page	QT
01	0521049956	HIDRAULIC CYLINDER	13	01
02	0521049955	HIDRAULIC CYLINDER	12	01
03	0511057771	R.7/8UNF - SAFETY VALVE	14	02
04	0521057916	HOSE KIT		01
04A	0501080035	1/2" X 900 TR-TR HOSE		02
04B	0501080119	HOSE		01
04C	0501080058	HOSE 1/2 X 1400 TR-TC		01
04D	0501080283	HOSE 1/2 X 2600 TC-TC		01
04E	0501080308	1/2 X 2750 TR-TM HOSE		02
04F	0501080633	1/2 X 3500 TR-TC HOSE		02



Item	Code	Description	See page	QT
01	0503016506	5/16 UNC X 3/4 C S G.5 ZN BOLT		04
02	0503011135	BOLT		03
03	0503010834	1/2 X 1 BOLT		01
04	0501010077	1/2" X 2" BOLT		04
05	0501010100	SCREW 5/8 UNC X 2 CS G.5 ZN		02
06	0503010899	5/8 UNC X 2.1/4 BOLT		06
07	0501010163	5/8" X 4-1/2" BOLT		02
08	0503012573	M16 X 2 X 65 BOLT		12
09	0501010827	3/4" X 2-3/4" BOLT		04
10	0561016755	PRISONER 1 UNC X 1 UNC X 76 ZN		04
11	0501010694	FLAT WASHER		01
12	0501012140	FLAT WASHER		12
13	0501010322	FLAT WASHER		08
14	0503010179	LOCK WASHER 5/16 ZN 1K01528		04
15	0503010180	7/16" SPRING WASHER		03
16	0503010019	1/2" SPRING WASHER		01
17	0503010027	5/8 SPRING WASHER		22
18	0503010023	3/4" SPRING WASHER		04
19	0503011336	1/2" HEX SELF ADJUSTING NUT		04
20	0503010013	5/8 NUT		06
21	0503010014	3/4" HEX NUT		04
22	0501010059	1.5/8 NUT		04
23	0503010044	1-1/4" SELF LOCKING NUT		06
24	0501053835	FEMALE QUICK COUPLER	16	02
25	0503062177	7/8 (V.C) T-ADAPTER WITH NUT		03
26	0501011460	7/8 NF REDUCTION NIPPLE		02
27	0581016941	NIPPLE		01
28	0561018342	1" NF NIPPLE		01
29	0503030168	HITCH PIN CLIP		02
30	0503013527	CLAMP ZIPER		10
31	0503010217	501040 CLAMPING RING (FOR AXLE)		04



**PD 600**  
**PACKED PARTS**

Page 22  
0511033764

Item	Code	Description	See page	QT
32	0503010002	1800 GREASE FITTING		06
33	0503010901	3/4UNC 3.1/2 BOLT		04





**MARCHESAN**

**Technical Publications | Elaboration and Revision**

LORENA ROCHA ALVES

[www.marchesan.com.br](http://www.marchesan.com.br)

