

PD - FRONT LOADER

PD 600

Code: 0501093562
Series: S-0320
Revision: 00
Date Revision: AGOSTO/2023

PARTS CATALOGUE



MARCHESAN



PRODUCTS

Code	Description
0106020473	PD 600 S-0320
0106020475	PD 600 S-0320

ATTENTION: IMPORTANT

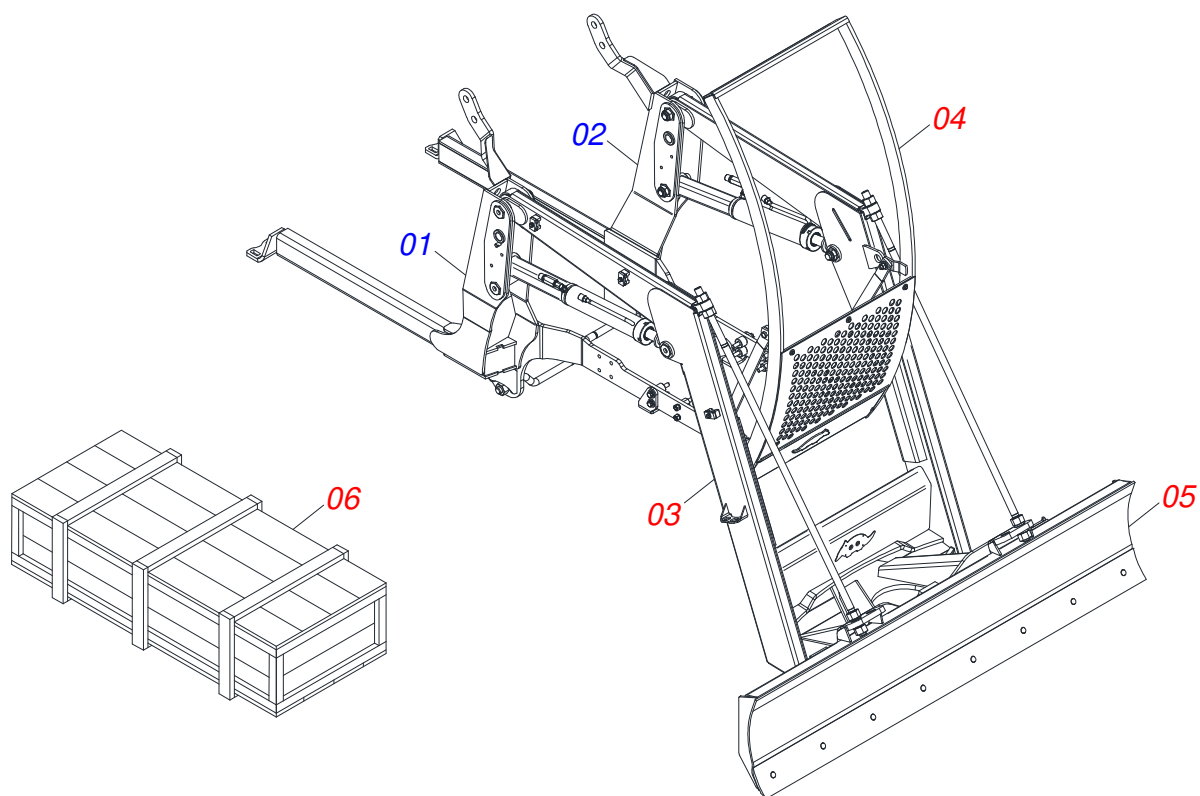
Marchesan S.A. reserves the right to improve and/or modify the technical features of its products, without obligation to do the same with those products already sold and without prior knowledge of the dealer or the customer. The photos are only illustrative.



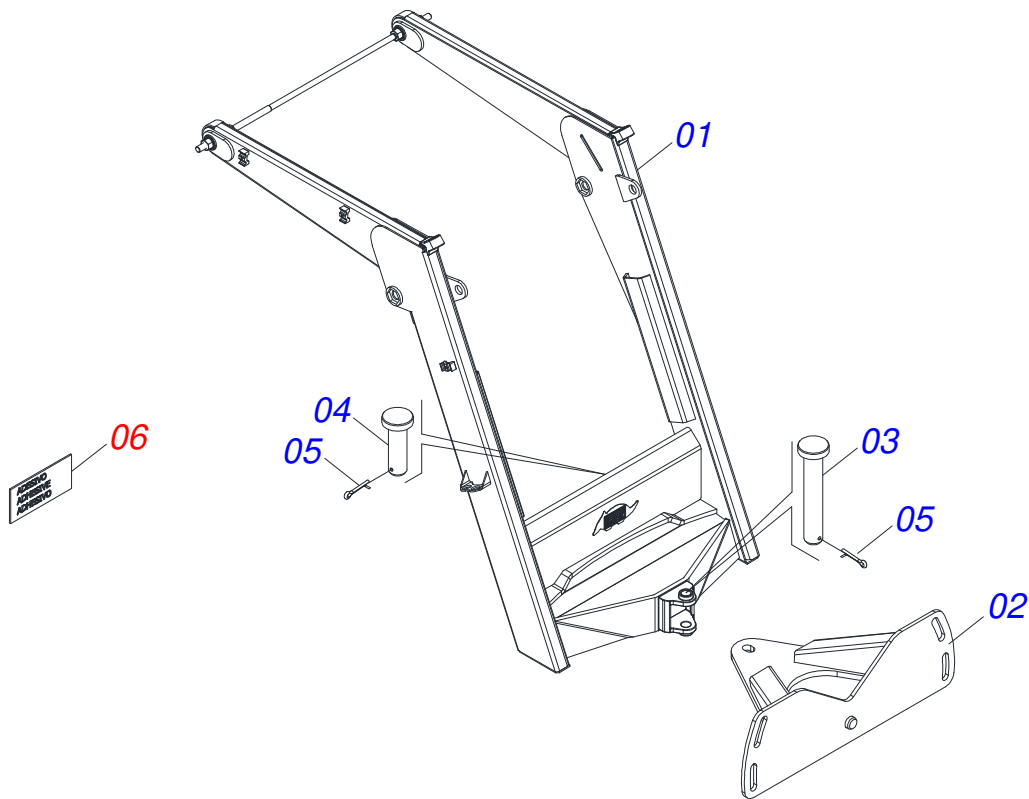
MARCHESAN

INDEX

0909096818	PD 600	1
0521049957	MOBILE SUPPORT ASSY	2
0909096780	LABEL SET	3
0501048330	MOBILE SUPPORT GUIDE ASSY	4
0511047750	2400 SCRAPER ASSY WITH STABILIZER BRACKET	5
0501047708	2400 BLADE SUPPORT	6
0909091585	LABEL SET	7
0521026075	COMPONENT WITH BOX	8
0521047923	ROD	9
0511043351	1.1/4" X 40" ROD	10
0501047774	1.1/4" X 33.46" ROD	11
0511033745	PECAS EMBALADAS	12
0501053835	FEMALE QUICK COUPLER	13
0501053834	MALE QUICK COUPLER	14
0909096145	HYDRAULIC CIRCUIT	15
0521049955	HIDRAULIC CYLINDER	16
0521049956	HIDRAULIC CYLINDER	17
0511057771	R.7/8UNF - SAFETY VALVE	18
0521026076	BOX WITH COMPONENTS	19
0521045393	SET SUPPORT JOY STICK	20
0521047176	COMMAND	21
0909096380	HYDRAULIC CIRCUIT	22
0511033746	PACKED PARTS	23



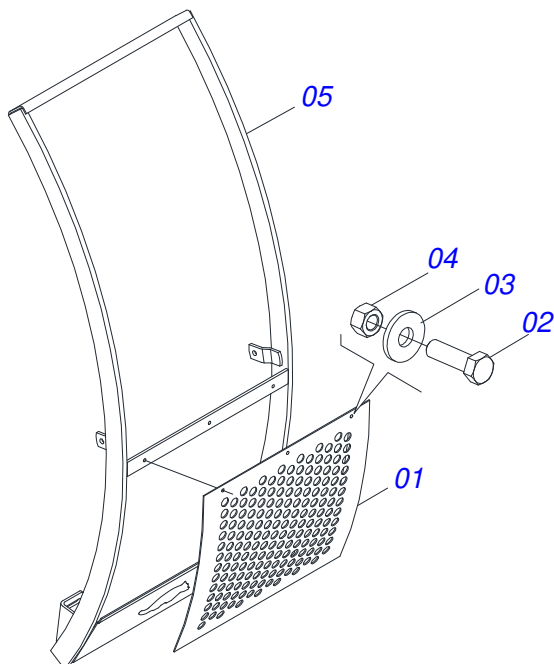
Item	Code	Description	See page	QT
01	0531063977	RIGHT FRAME		01
02	0531063975	LEFT FRAME		01
03	0521049957	MOBILE SUPPORT ASSY	2	01
04	0501048330	MOBILE SUPPORT GUIDE ASSY	4	01
05	0511047750	2400 SCRAPER ASSY WITH STABILIZER BRACKET	5	01
06	0521026075	COMPONENT WITH BOX	8	01
06.	0521026076	BOX WITH COMPONENTS	19	01



Item	Code	Description	See page	QT
01	0531060773	MOBILE SUPPORT		01
02	0501062637	5/8" REGULATOR SUPPORT		01
03	0521010618	1.4" X 8.6" COUPLING SHAFT		01
04	0521010612	1.4" X 3.5" COUPLING SHAFT		01
05	0503010010	1/4" X 2.1/2" SPLIT PIN		02
06	0909096780	LABEL SET	3	01

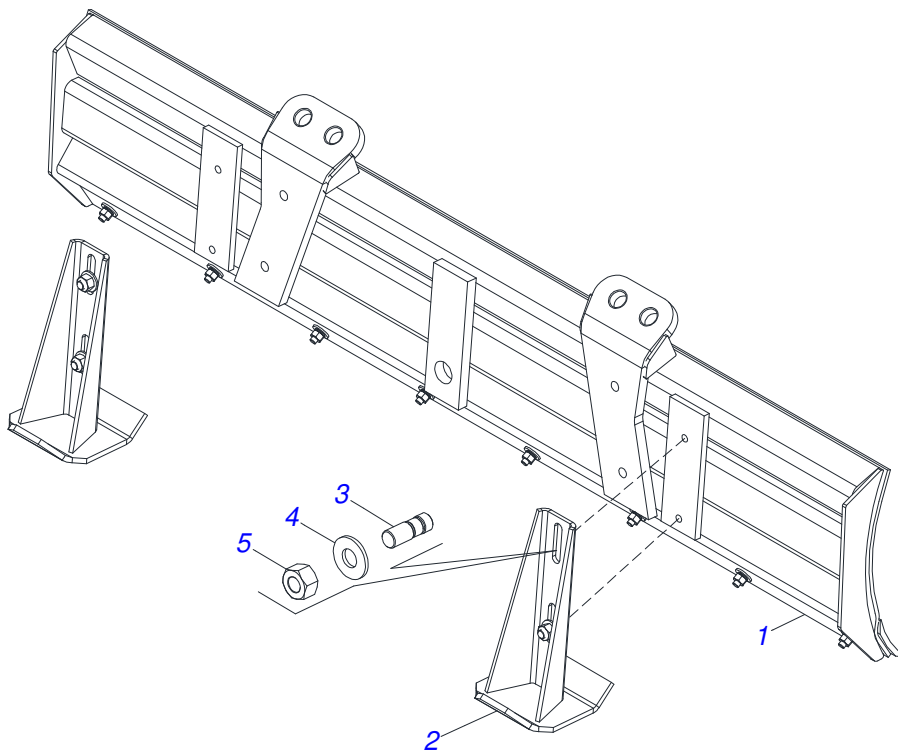


Item	Code	Description	See page	QT
01	0503064055	ADHESIVE LABEL SET		01
02	0503034078	LIFTING POINTS DECAL		01
03	0503031087	ADHESIVE LABEL		01
04	0503034003	SERIAL NUMBER TAG 61 X 118		01
05	0503010001	3.2 X 5.5 RIVET		04
06	0503036238	ADHESIVE LABEL SAFETY LOCKING HYDRAULIC CYLINDERS		01
07	0503036239	ADHESIVE LABEL ATTENTION FLUIDS WITH PRESSURE		01
08	0503031827	LUBRICATE AND RETIGHTEN DAILY DECAL		01
09	0503031428	READ MANUAL DECAL		01
10	0503036241	ADHESIVE LABEL SAFETY CAUTION SHOCK HAZARD		01

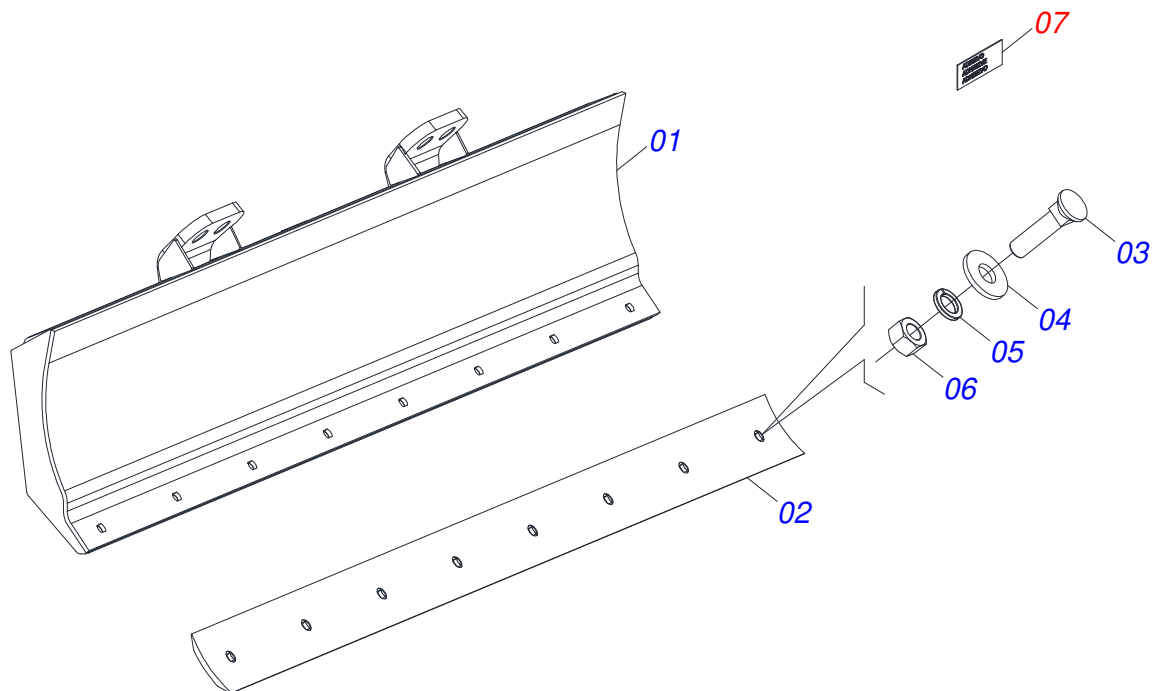


Item	Code	Description	See page	QT
01	0501014686	FRONT PROTECTION		01
02	0503010751	C3/8" X 1.1/4" HEX BOLT G.5		03
03	0501010984	10,50 X 27 X 3,00 FLAT WASHER		03
04	0503010026	3/8" NUT		03
05	0521064583	MOBILE SUPPORT GUIDE		01

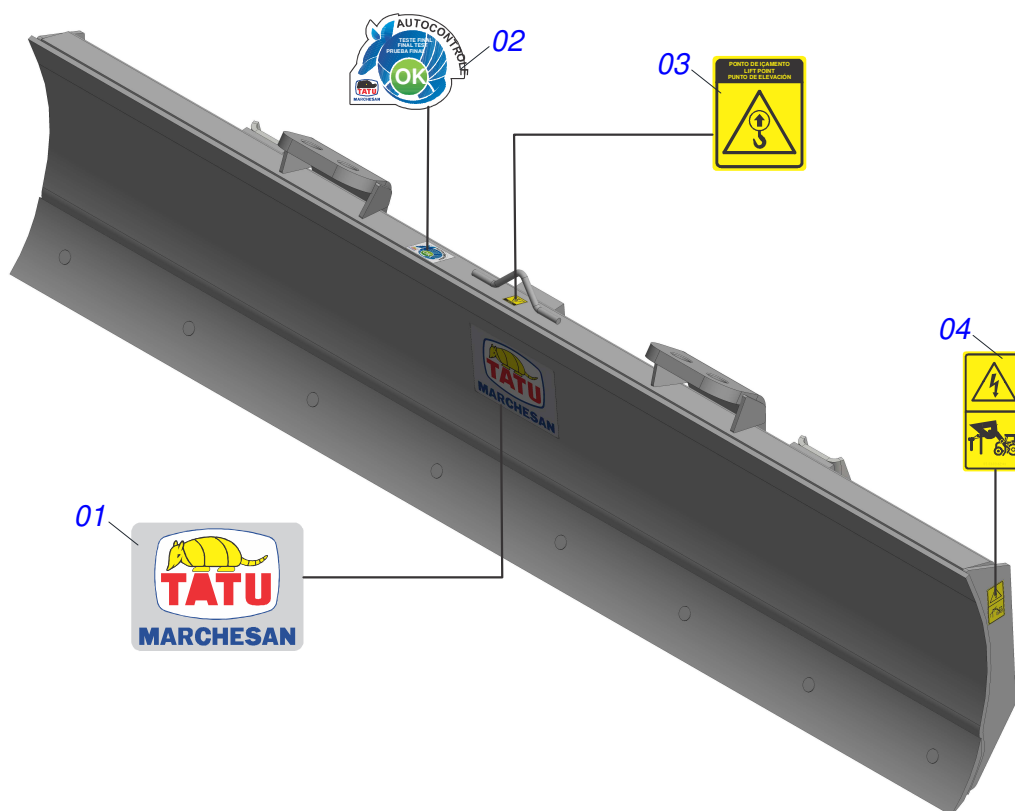
2400 SCRAPER ASSY WITH STABILIZER BRACKET



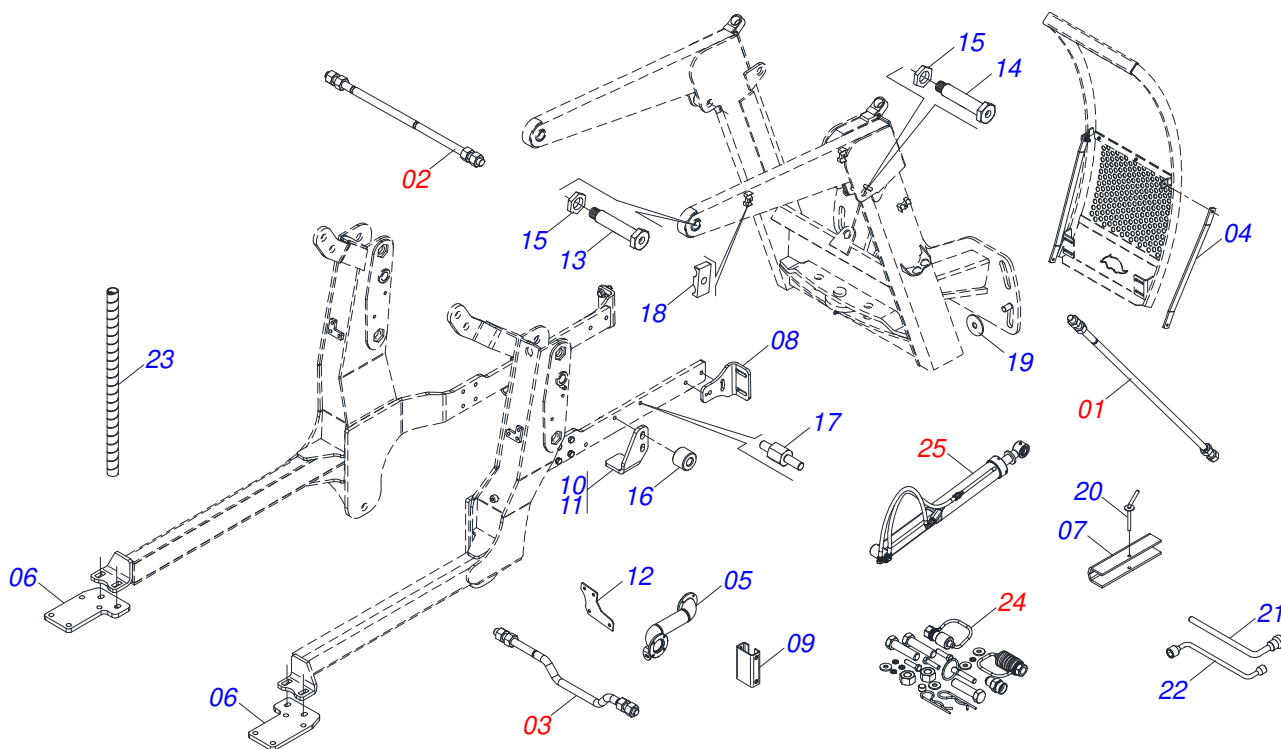
Item	Code	Description	See page	QT
01	0501047708	2400 BLADE SUPPORT	6	01
02	0501063411	ESTABILIZER BRACKET		02
03	0561016756	3/4 UNC X 3/4 UNC X 56 PRISONER		04
04	0501010322	FLAT WASHER		04
05	0503010014	3/4" HEX NUT		04



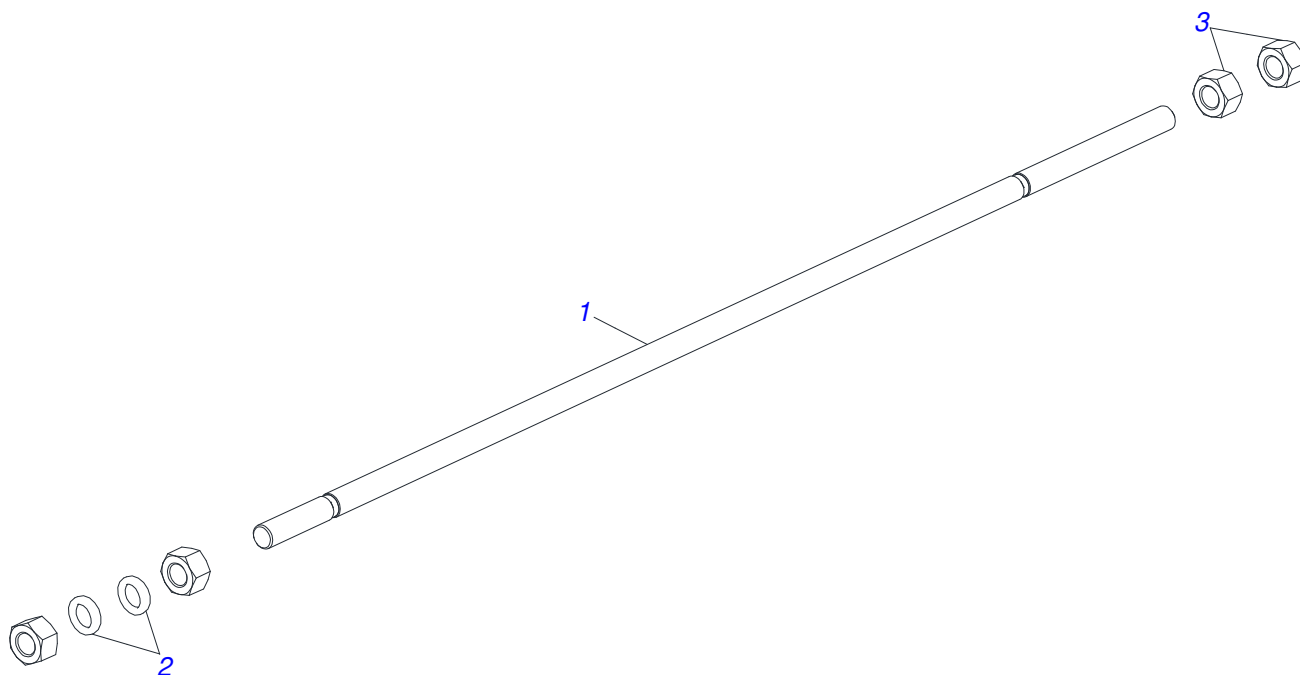
Item	Code	Description	See page	QT
01	0501067999	2390 BLADE SUPPORT		01
02	0622360016	94.5" SCRAPER REVERSIBLE		01
03	0501012240	BOLT		08
04	0501012140	FLAT WASHER		08
05	0503011445	SPRING WASHER		08
06	0503010013	5/8 NUT		08
07	0909091585	LABEL SET	7	01



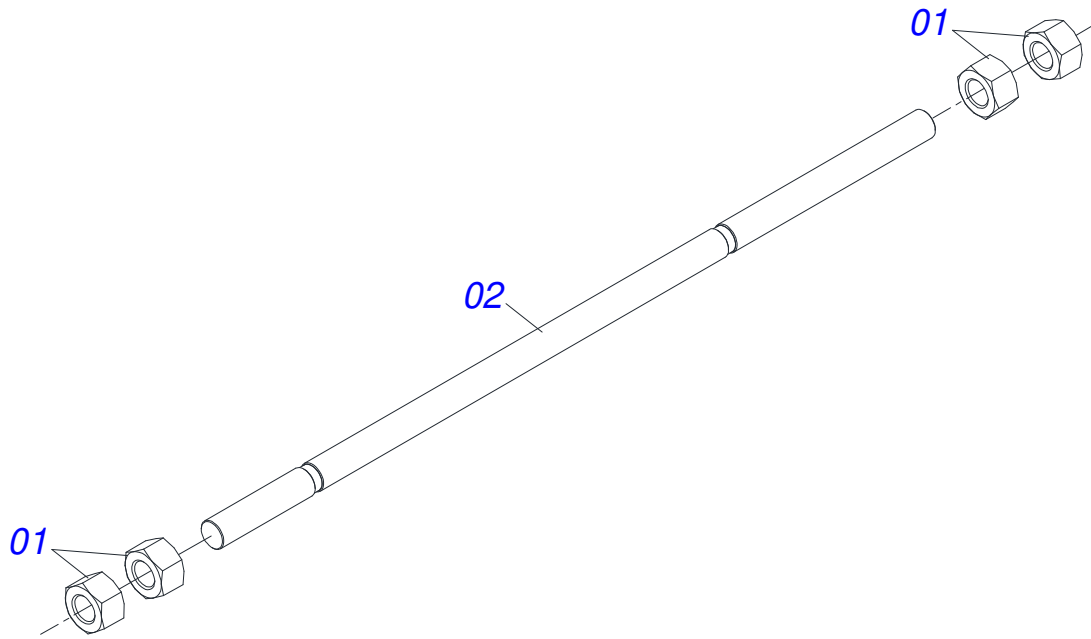
Item	Code	Description	See page	QT
01	0503033429	ADHESIVE LABEL		01
02	0503031087	ADHESIVE LABEL		01
03	0503034078	LIFTING POINTS DECAL		02
04	0503036241	ADHESIVE LABEL SAFETY CAUTION SHOCK HAZARD		01



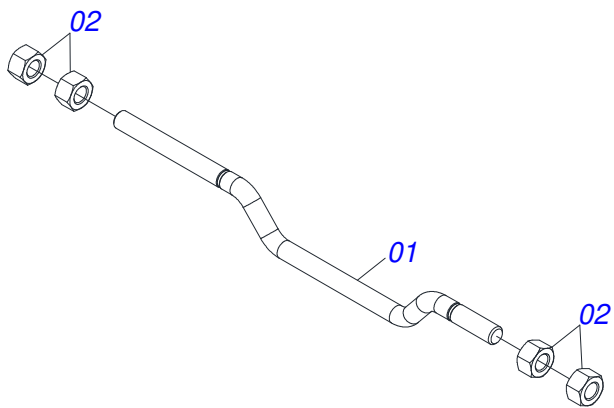
Item	Code	Description	See page	QT
01	0521047923	ROD	9	02
02	0511043351	1.1/4" X 40" ROD	10	01
03	0501047774	1.1/4" X 33.46" ROD	11	01
04	0581016771	FRENCH HAND		02
05	0531061233	PROTRACTOR EXHAUST		01
06	0591013410	FIXING BASE		02
07	0531017238	LOCK TRANSPORT		02
08	0571010158	FIXER GUIDE MOBILE SUPPORT		02
09	0591013346	SPACER		02
10	0591013343	LEFT BEATER		01
11	0591013344	RIGHT BEATER		01
12	0591013347	FIXING BASE		01
13	0581013410	1.1/4" UNF X 155 BOLT		04
14	0581013378	GREASE SCREW		02
15	0581010243	WASHER HEX		06
16	0561017343	SLEEVE		12
17	0591013345	STUD		04
18	1902010477	UPPER CLAMP BODY		03
19	0501010574	FLAT WASHER		04
20	0501068994	8,30 X 78 LOCK PIN		02
21	0501061617	1" GANG BOLT WRENCH		01
22	0501068213	5/8" WRENCH DOUBLE		01
23	0581010090	SPRING PROTECTION PLASTIC HOSE		02
24	0511033745	PECAS EMBALADAS	12	01
25	0909096145	HYDRAULIC CIRCUIT	15	01



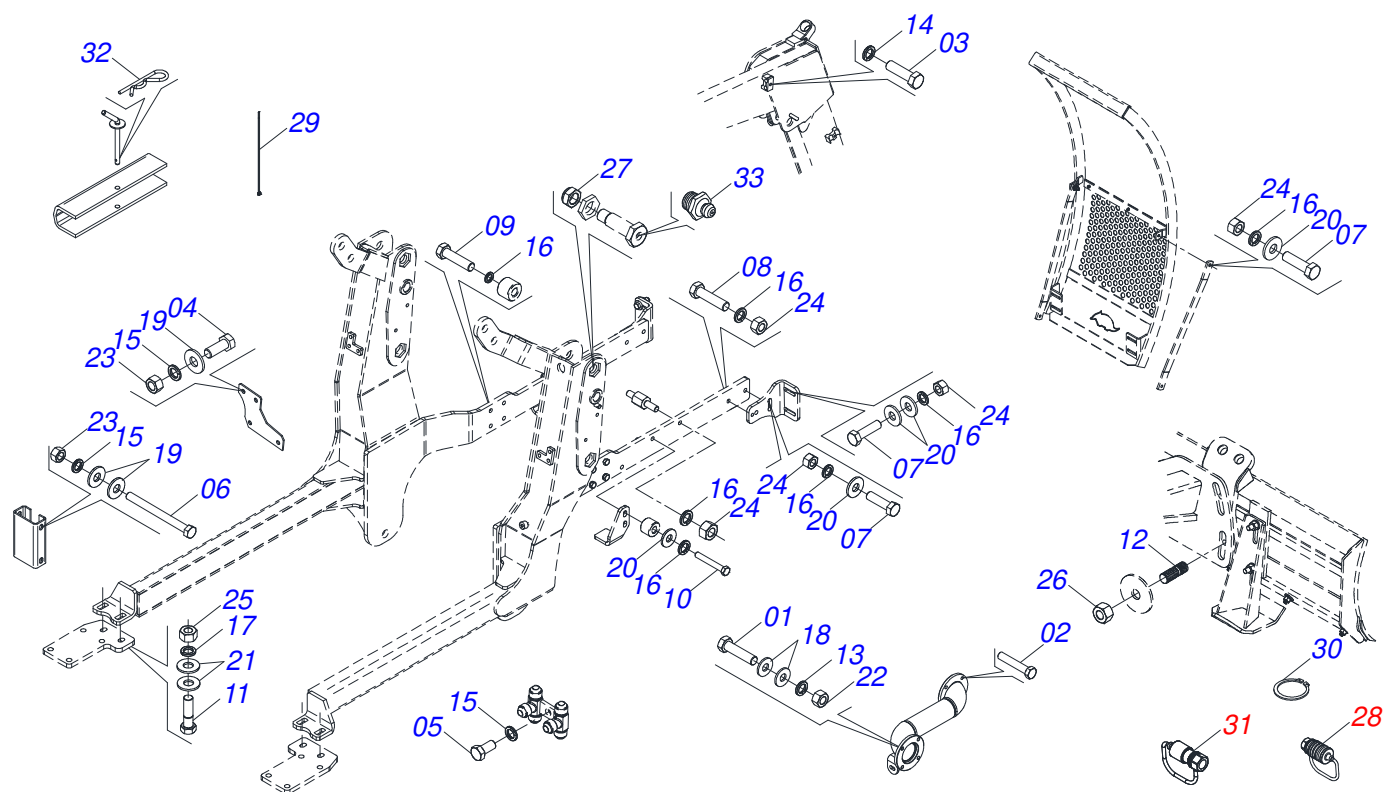
Item	Code	Description	See page	QT
01	0581016637	ROD		01
02	0502012180	CONICAL SPRING WASHER		02
03	0501010087	1.1/4" NUT		04



Item	Code	Description	See page	QT
01	0501010087	1.1/4" NUT		04
02	0541015018	1.1/4" NC X 40" ROD		01



Item	Code	Description	See page	QT
01	0521010387	1.1/4" X 33.46" ROD CURVED		01
02	0501010087	1.1/4" NUT		04



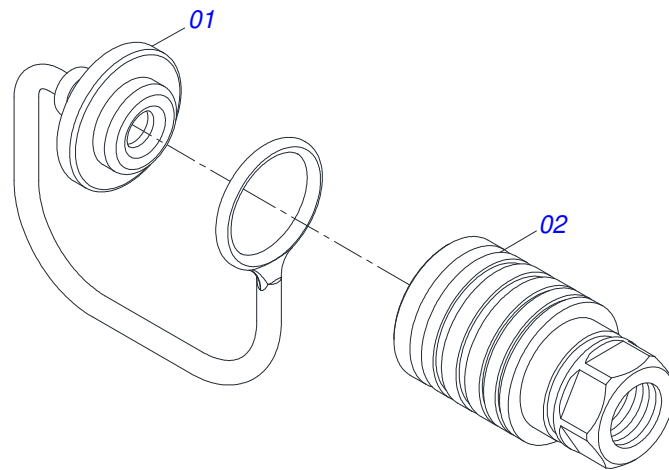
Item	Code	Description	See page	QT
01	0503010421	5/16" X 1-1/2" BOLT		04
02	0503015114	BOLT		04
03	0503011135	BOLT		03
04	0501010161	1/2" X 1.1/4" BOLT		02
05	0503010834	1/2 X 1 BOLT		01
06	0503011411	1/2" X 5-1/2" BOLT		04
07	0503010899	5/8 UNC X 2.1/4 BOLT		08
08	0503010233	5/8" X 2-1/2" BOLT		02
09	0503012833	M16 X 2 X 90 BOLT		08
10	0503014594	BOLT		04
11	0501010827	3/4" X 2-3/4" BOLT		04
12	0561016755	PRISONER 1 UNC X 1 UNC X 76 ZN		04
13	0503010179	LOCK WASHER 5/16 ZN 1K01528		04
14	0503010180	7/16" SPRING WASHER		03
15	0503010019	1/2" SPRING WASHER		07
16	0503010027	5/8 SPRING WASHER		26
17	0503010023	3/4" SPRING WASHER		04
18	0501010694	FLAT WASHER		08
19	0511017302	FLAT WASHER 13,50 X 32,50 X 3,0 ZN		10
20	0501012140	FLAT WASHER		20
21	0501010322	FLAT WASHER		08
22	0503010337	5/16" NUT		04
23	0503010028	1/2" NUT		06
24	0503010013	5/8 NUT		14
25	0503010014	3/4" HEX NUT		04
26	0501010059	1.5/8 NUT		04
27	0503010044	1-1/4" SELF LOCKING NUT		06
28	0501053835	FEMALE QUICK COUPLER	13	02
29	0503013527	CLAMP ZIPER		10
30	0503010217	501040 CLAMPING RING (FOR AXLE)		04
31	0501053834	MALE QUICK COUPLER	14	04



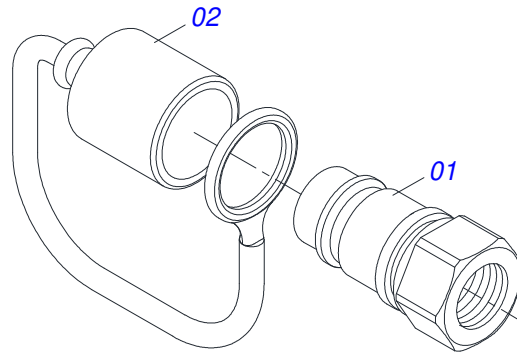
PD 600
PECAS EMBALADAS

Page 12
0511033745

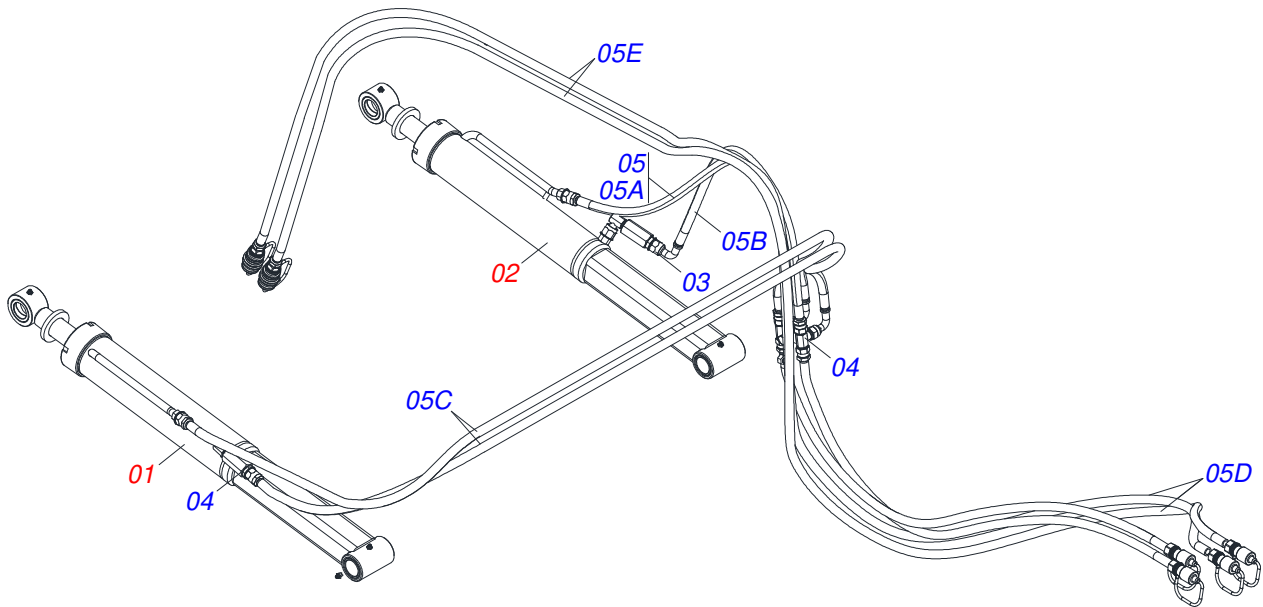
Item	Code	Description	See page	QT
32	0503030168	HITCH PIN CLIP		02
33	0503010002	1800 GREASE FITTING		06



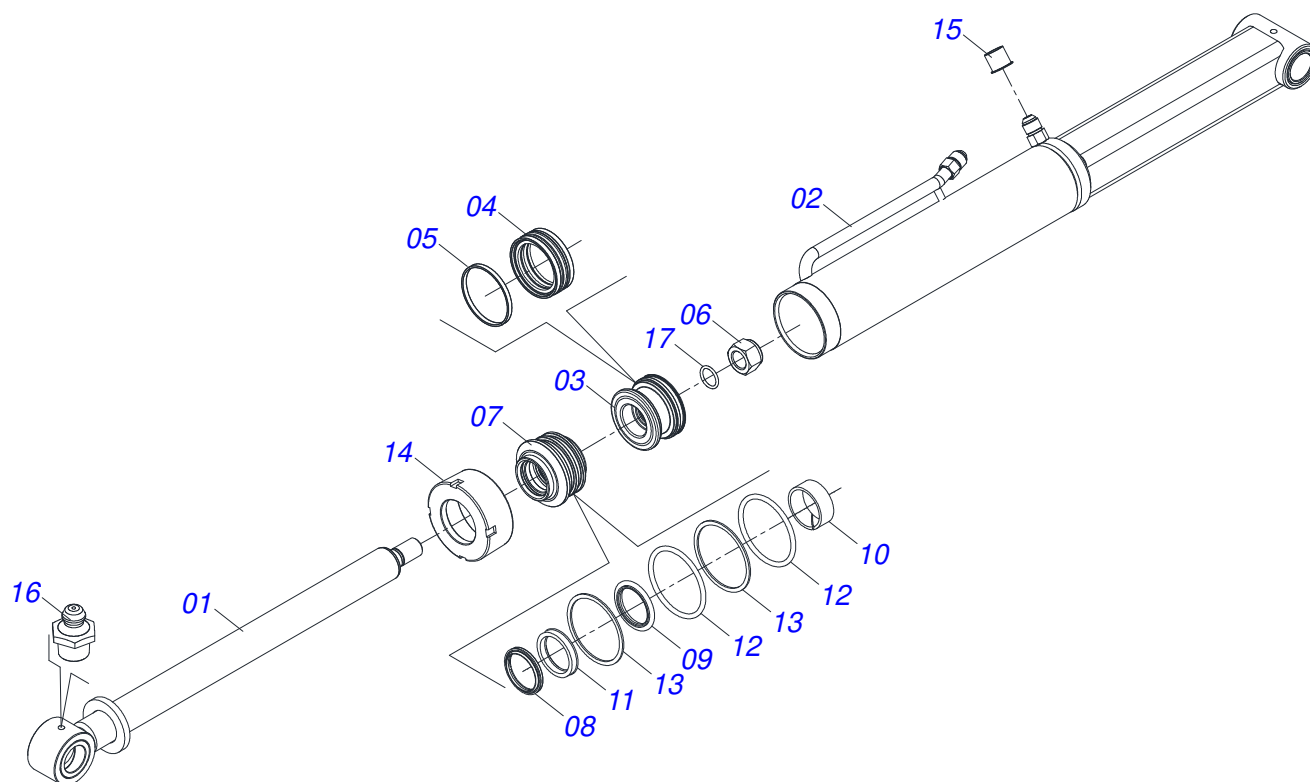
Item	Code	Description	See page	QT
01	0503011883	QUICK CONNECTION COVER		01
02	0503011628	FEMALE QUICK COUPLER		01



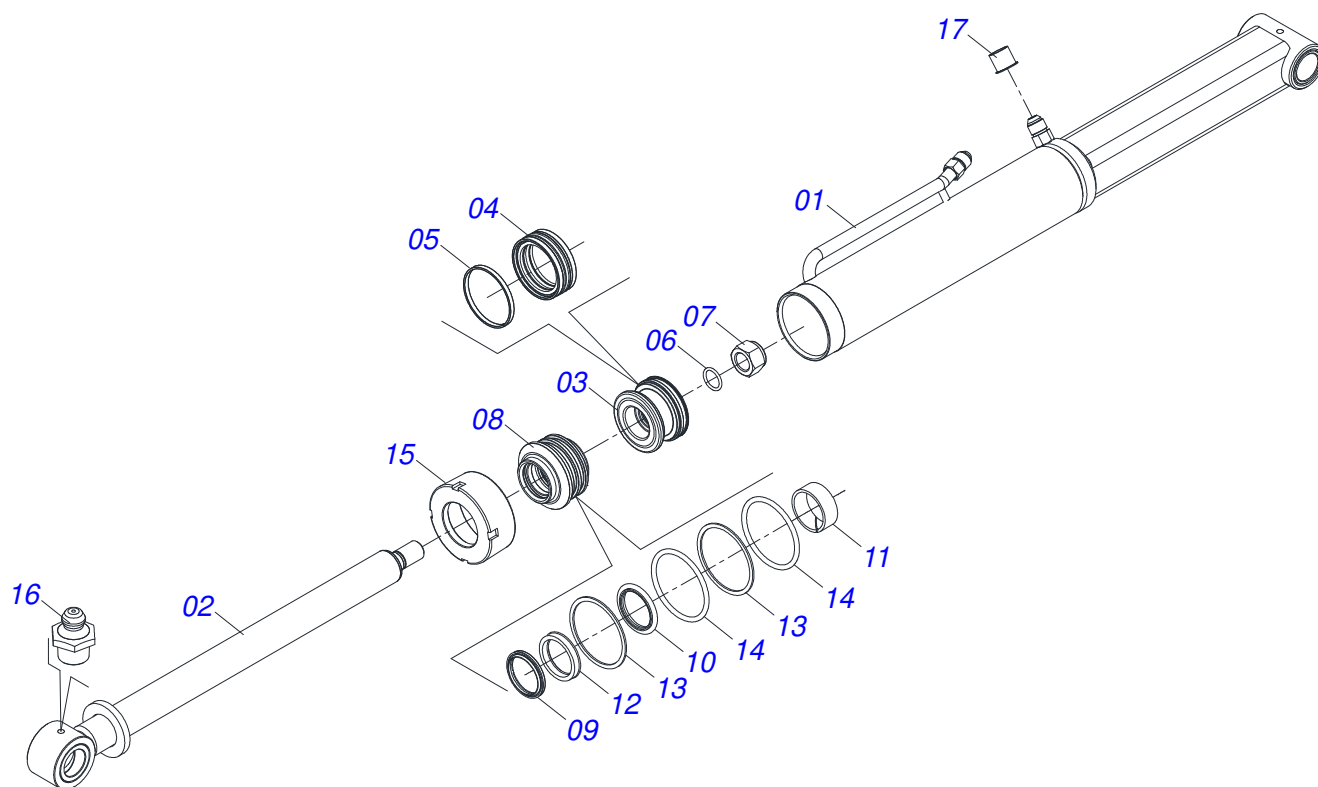
Item	Code	Description	See page	QT
01	0503011627	MALE QUICK COUPLER AGR 1/2 NPT		01
02	0503011882	MALE QUICK COUPLER CAP		01



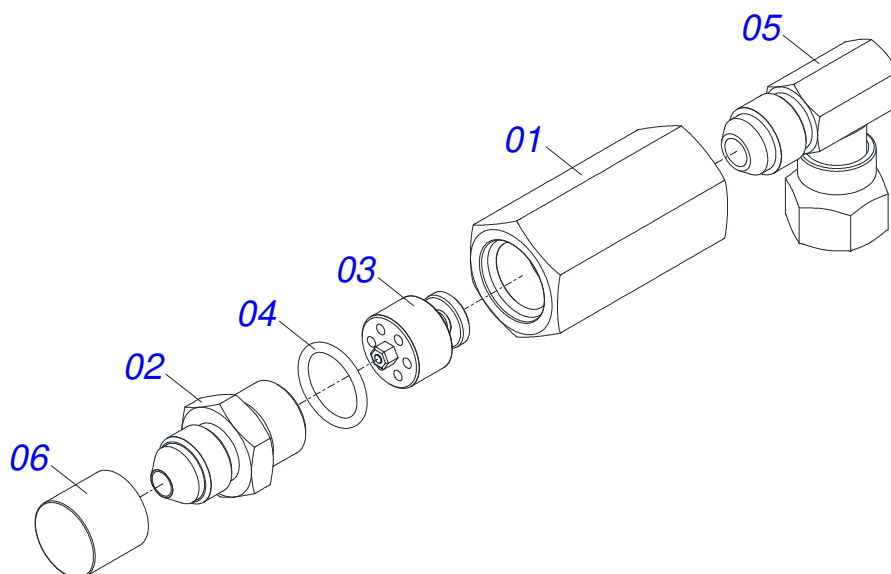
Item	Code	Description	See page	QT
01	0521049955	HIDRAULIC CYLINDER	16	01
02	0521049956	HIDRAULIC CYLINDER	17	01
03	0521064869	7/8UNF JIC OIL DISTRIBUTOR		01
04	0511057771	R.7/8UNF - SAFETY VALVE	18	02
05	0521050822	HOSE KIT		01
05A	0501080825	1/2" X 1100 TR-TC HOSE		01
05B	0501080119	HOSE		01
05C	0501080016	1/2 X 2800 TR-TC HOSE		02
05D	0501080308	1/2 X 2750 TR-TM HOSE		02
05E	0501081929	HOSE 1/2 X 4500 TM-TM		02



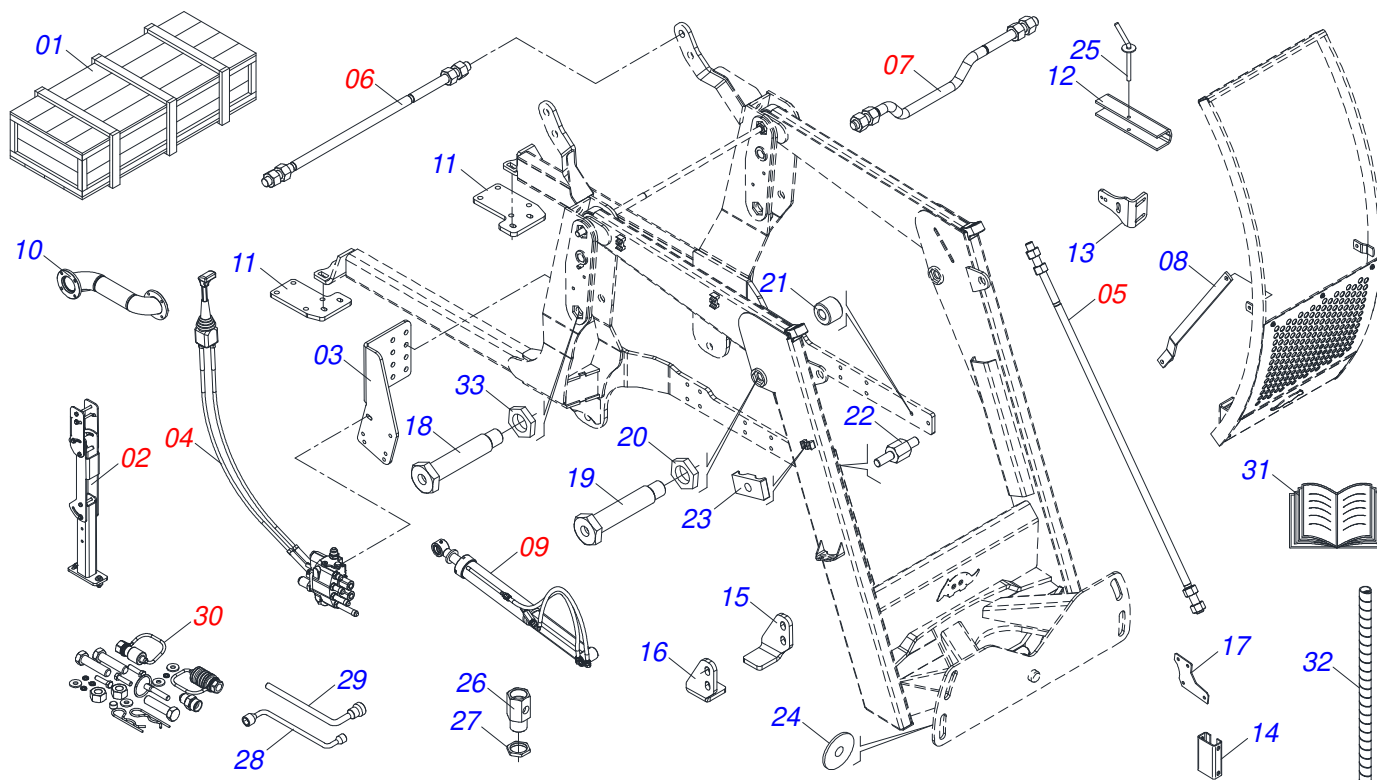
Item	Code	Description	See page	QT
01	0531060777	ROD		01
02	0511071829	CASE BODY		01
03	0571019710	1.7" X 3.4" PISTON		01
04	0503017935	RING		01
05	0503018144	RING		01
06	0503010063	1" SELF-ALIGNING NUT		01
07	0571019711	RING SUPPORT		01
08	0503010761	D-1750 SCRAPER RING		01
09	0503017936	RING		01
10	0503017938	RING GUIDE		01
11	0503017937	GASKET		01
12	0503017939	2-337 N 3006-9B O' RING		02
13	0503017940	8-337 BACK-UP RING		02
14	0571019709	DETACHABLE COVER		01
15	0503030387	PLUG		02
16	0503010002	1800 GREASE FITTING		02
17	0503010042	2-214 N 3006-9B O'RING		01



Item	Code	Description	See page	QT
01	0511071873	CASE BODY		01
02	0531060777	ROD		01
03	0571019710	1.7" X 3.4" PISTON		01
04	0503017935	RING		01
05	0503018144	RING		01
06	0503010042	2-214 N 3006-9B O'RING		01
07	0503010063	1" SELF-ALIGNING NUT		01
08	0571019711	RING SUPPORT		01
09	0503010761	D-1750 SCRAPER RING		01
10	0503017936	RING		01
11	0503017938	RING GUIDE		01
12	0503017937	GASKET		01
13	0503017940	8-337 BACK-UP RING		02
14	0503017939	2-337 N 3006-9B O' RING		02
15	0571019709	DETACHABLE COVER		01
16	0503010002	1800 GREASE FITTING		02
17	0503030387	PLUG		02



Item	Code	Description	See page	QT
01	0503018033	37 X R.7/8 UNF 90° JIC MALE CONNECTOR WITH ROTATING NUT		01
02	0581014053	1/2 BSP X 7/8 UNF JIC X 64 ADAPTER		01
03	0503016854	SAFETY VALVE		01
04	0503010045	O'RING		01
05	0581014052	1/2 BSP X 7/8 UNF JIC X 43 NIPLE		01
06	0503030387	PLUG		01



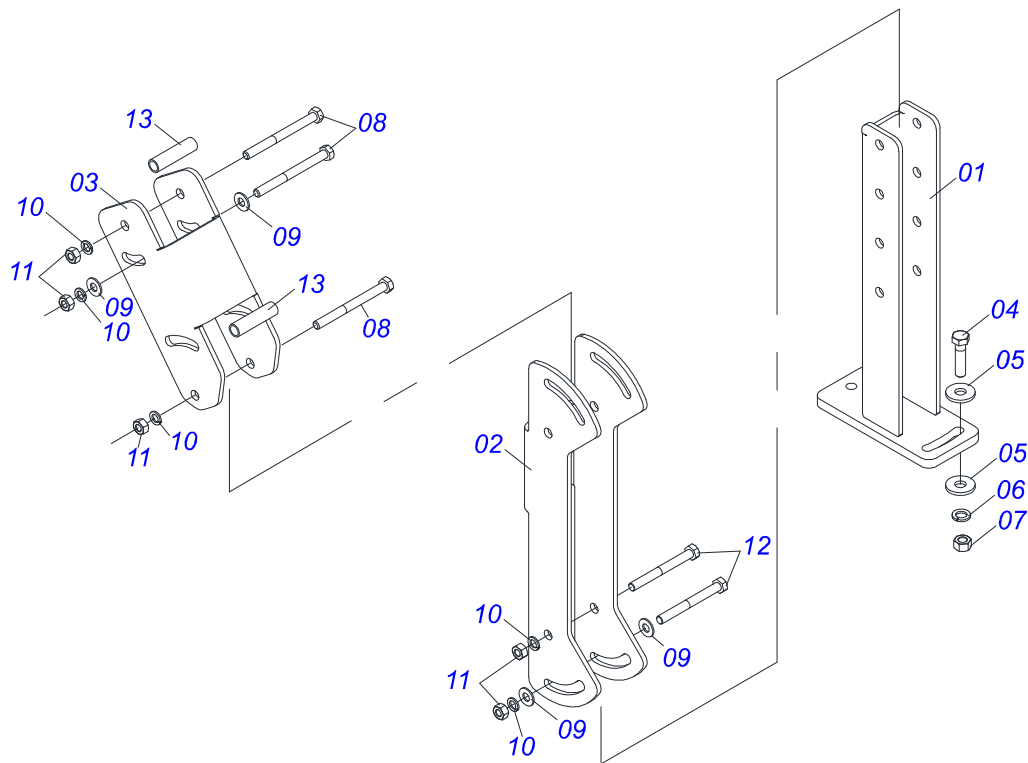
Item	Code	Description	See page	QT
01	0501100007	BOX WOOD 2150X400X440		01
02	0531044005	SET SUPPORT JOY STICK		01
03	0501218082	CONTROL FIXING BASE		01
04	0521047926	1/2" COMMAND		01
05	0521047923	ROD	9	02
06	0511043351	1.1/4" X 40" ROD	10	01
07	0501047774	1.1/4" X 33.46" ROD	11	01
08	0581016771	FRENCH HAND		02
09	0909096380	HYDRAULIC CIRCUIT	22	01
10	0531061233	PROTRACTOR EXHAUST		01
11	0501218220	REAR BASE FIXING FRAMES		02
12	0501217728	LOCK FOR TRANSPORTATION		02
13	0571010158	FIXER GUIDE MOBILE SUPPORT		02
14	0501218222	LADDER SPACER		02
15	0501218219	LEFT BEATER		01
16	0501218218	RIGHT BEATER		01
17	0501217724	FILTER FIXING BASE		01
18	0501216406	SCREW 1.1/4" UNF X 147		04
19	0571018265	1.1/4" UNF X 4.40" ZN BOLT		02
20	0501216423	WASHER HEX 37,8 X 58 X 9,50		02
21	0561017343	SLEEVE		12
22	0591013345	STUD		04
23	1902010477	UPPER CLAMP BODY		03
24	0501010574	FLAT WASHER		04
25	0501068994	8,30 X 78 LOCK PIN		02
26	0591014879	COMMAND RETURN ADAPTER		01
27	0591014880	NUT		01
28	0501068213	5/8" WRENCH DOUBLE		01
29	0501061617	1" GANG BOLT WRENCH		01
30	0511033746	PACKED PARTS	23	01
31	0511033668	BAG WITH INSTRUCTION MANUAL		01



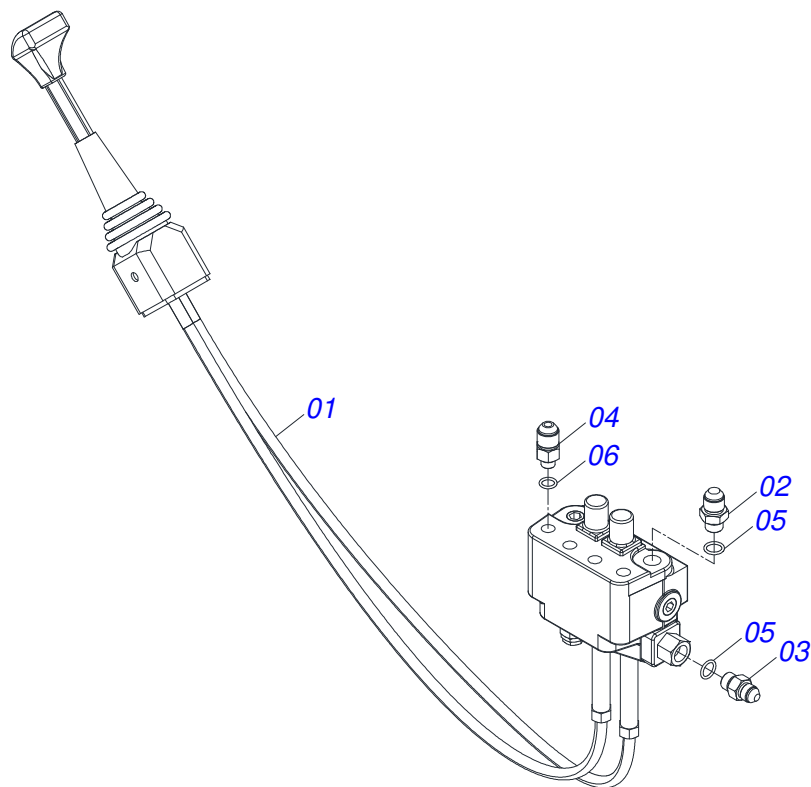
BOX WITH COMPONENTS

0521026076

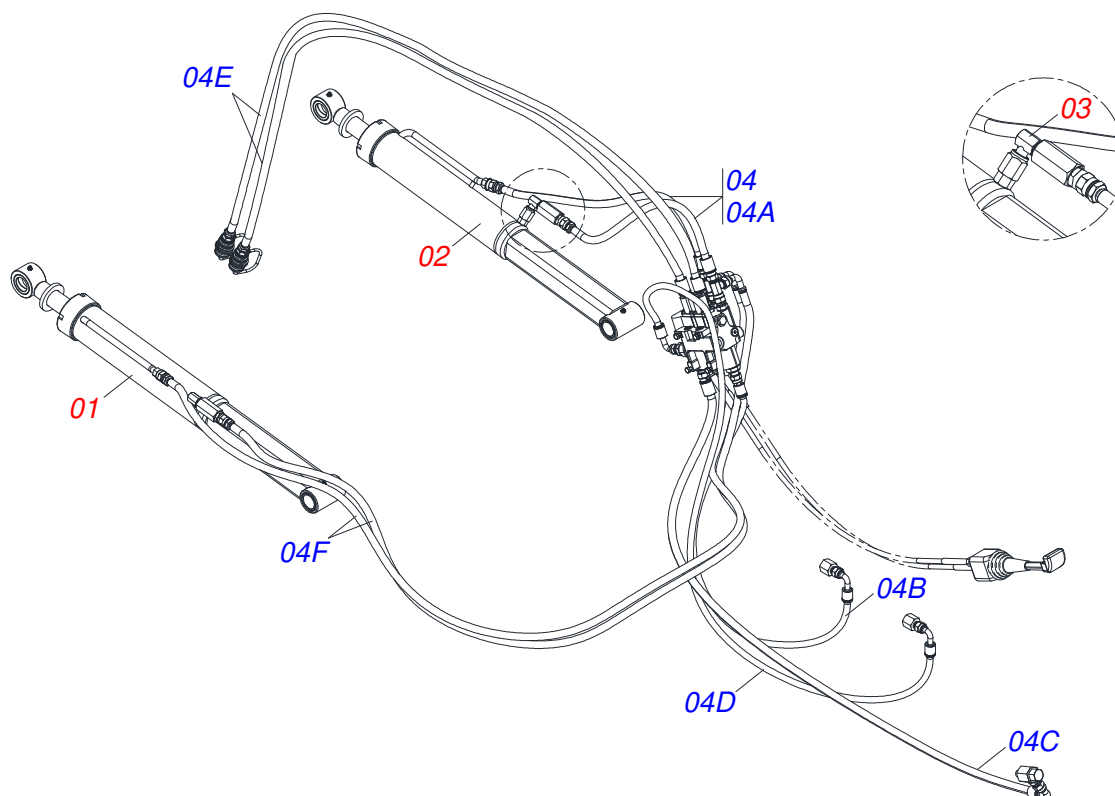
Item	Code	Description	See page	QT
32	0581010090	SPRING PROTECTION PLASTIC HOSE		02
33	0501216405	WASHER 37,8 EXTERNAL HEXAGON 58 X 8,00		04



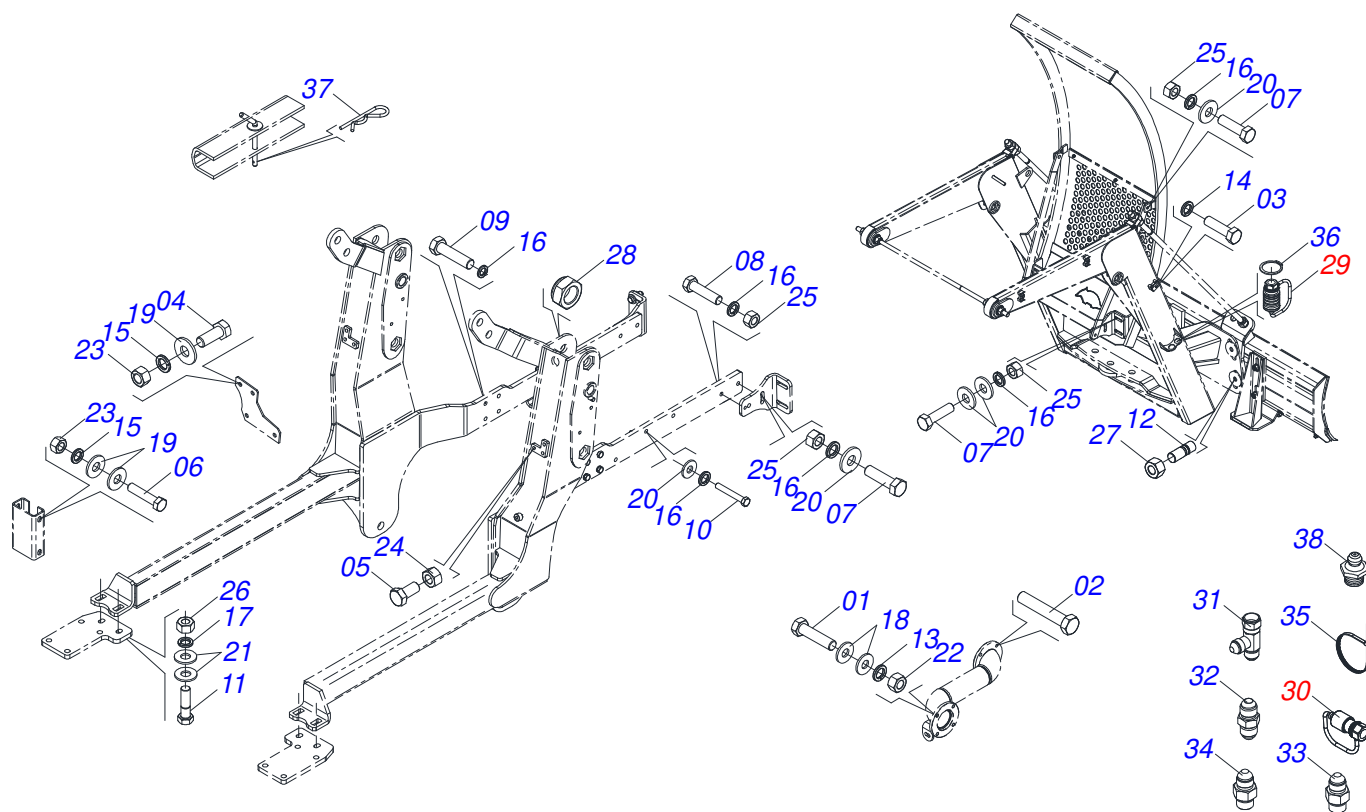
Item	Code	Description	See page	QT
01	0521065789	LOWER JOYSTICK SUPPORT		01
02	0571018376	CENTRAL BODY SUPPLEMENT OF JOYSTICK		01
03	0571018375	SUPERIOR BODY SUPPLEMENT OF JOYSTICK		01
04	0503010849	3/8" X 1-1/2" BOLT		02
05	0501010984	10,50 X 27 X 3,00 FLAT WASHER		02
06	0503010025	3/8 SPRING WASHER		02
07	0503010026	3/8" NUT		02
08	0503010848	5/16" X 3.1/2" BOLT		04
09	0501010694	FLAT WASHER		06
10	0503010179	LOCK WASHER 5/16 ZN 1K01528		06
11	0503010337	5/16" NUT		06
12	0503011053	5/16" X 3" C S 6.5 ZN BOLT		02
13	0541015551	0.39" X 0.512" X 1.9" SLEEVE		02



Item	Code	Description	See page	QT
01	0503062412	COMPLETE JOYSTICK CONTROL		01
02	0501011460	7/8 NF REDUCTION NIPPLE		01
03	0501010617	3/4" NIPPLE		02
04	0581013379	R.7/8 X 9/16 X 50 (SEXT 22,23) NIPPLE		04
05	0503012905	2113 O'RING		03
06	0503013161	2-013 N 3006-9B O'RING		04



Item	Code	Description	See page	QT
01	0521049955	HIDRAULIC CYLINDER	16	01
02	0521049956	HIDRAULIC CYLINDER	17	01
03	0511057771	R.7/8UNF - SAFETY VALVE	18	02
04	0521057816	HOSE KIT		01
04A	0501080035	1/2" X 900 TR-TR HOSE		02
04B	0501080119	HOSE		01
04C	0501080058	HOSE 1/2 X 1400 TR-TC		01
04D	0501080283	HOSE 1/2 X 2600 TC-TC		01
04E	0501080308	1/2 X 2750 TR-TM HOSE		02
04F	0501080633	1/2 X 3500 TR-TC HOSE		02



Item	Code	Description	See page	QT
01	0503010421	5/16" X 1-1/2" BOLT		04
02	0503015114	BOLT		04
03	0503011135	BOLT		03
04	0501010161	1/2" X 1.1/4" BOLT		02
05	0501010077	1/2" X 2" BOLT		02
06	0503011411	1/2" X 5-1/2" BOLT		04
07	0503010899	5/8 UNC X 2.1/4 BOLT		08
08	0503010233	5/8" X 2-1/2" BOLT		02
09	0503012833	M16 X 2 X 90 BOLT		08
10	0503014594	BOLT		04
11	0501010827	3/4" X 2-3/4" BOLT		04
12	0561016755	PRISONER 1 UNC X 1 UNC X 76 ZN		04
13	0503010179	LOCK WASHER 5/16 ZN 1K01528		04
14	0503010180	7/16" SPRING WASHER		03
15	0503010019	1/2" SPRING WASHER		06
16	0503010027	5/8 SPRING WASHER		26
17	0503010023	3/4" SPRING WASHER		04
18	0501010694	FLAT WASHER		08
19	0511017302	FLAT WASHER 13,50 X 32,50 X 3,0 ZN		10
20	0501012140	FLAT WASHER		20
21	0501010322	FLAT WASHER		08
22	0503010337	5/16" NUT		04
23	0503010028	1/2" NUT		06
24	0503011336	1/2" HEX SELF ADJUSTING NUT		02
25	0503010013	5/8 NUT		14
26	0503010014	3/4" HEX NUT		04
27	0501010059	1.5/8 NUT		04
28	0503010044	1-1/4" SELF LOCKING NUT		06
29	0501053835	FEMALE QUICK COUPLER	13	02
30	0501053834	MALE QUICK COUPLER	14	04
31	0503062177	7/8 (V.C) T-ADAPTER WITH NUT		02



PD 600
PACKED PARTS

Page 23
0511033746

Item	Code	Description	See page	QT
32	0503034526	NIPPLE UNION		01
33	0501010590	NIPPLE		01
34	0501011460	7/8 NF REDUCTION NIPPLE		02
35	0503013527	CLAMP ZIPER		10
36	0503010217	501040 CLAMPING RING (FOR AXLE)		04
37	0503030168	HITCH PIN CLIP		02
38	0503010002	1800 GREASE FITTING		06



MARCHESAN

Technical Publications | Elaboration and Revision

LORENA ROCHA ALVES

www.marchesan.com.br

