

PD - FRONT LOADER

PD 600

Code: 0501093559
Series: S-0620
Revision: 00
Date Revision: JULHO/2023

PARTS CATALOGUE



MARCHESAN



PRODUCTS

Code	Description
0106030455	PD 600 S-0620
0106030456	PD 600 S-0620

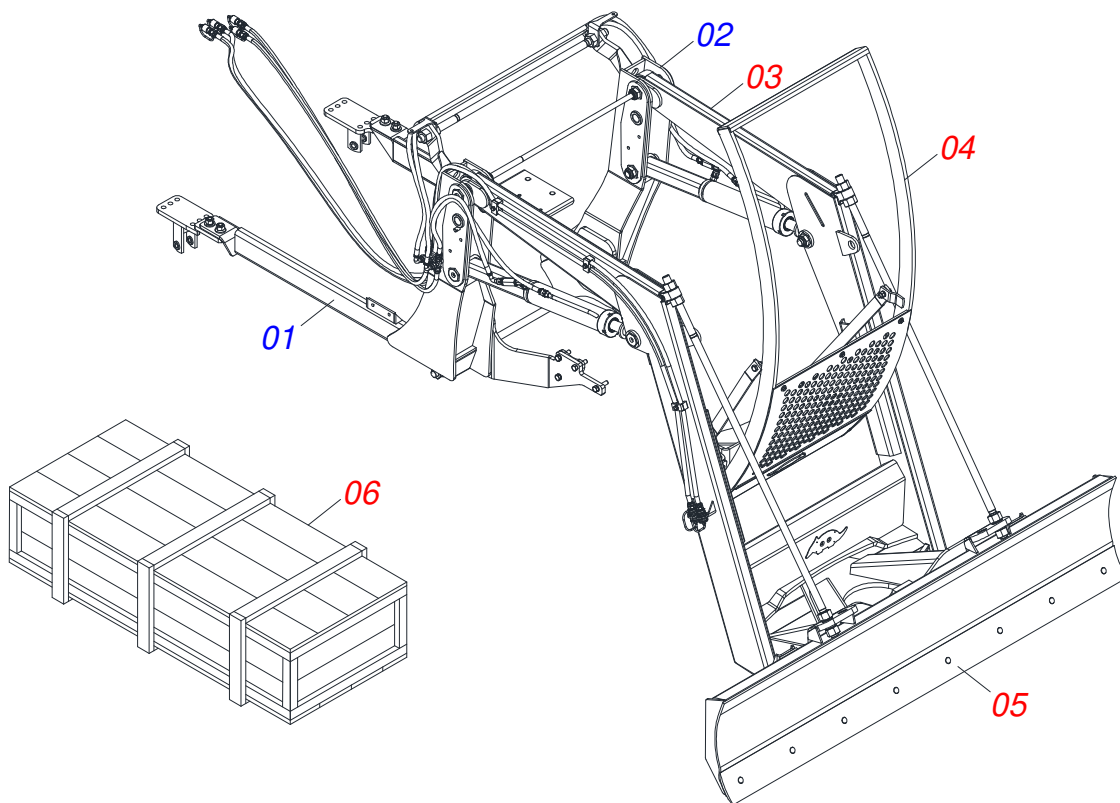
ATTENTION: IMPORTANT

Marchesan S.A. reserves the right to improve and/or modify the technical features of its products, without obligation to do the same with those products already sold and without prior knowledge of the dealer or the customer. The photos are only illustrative.

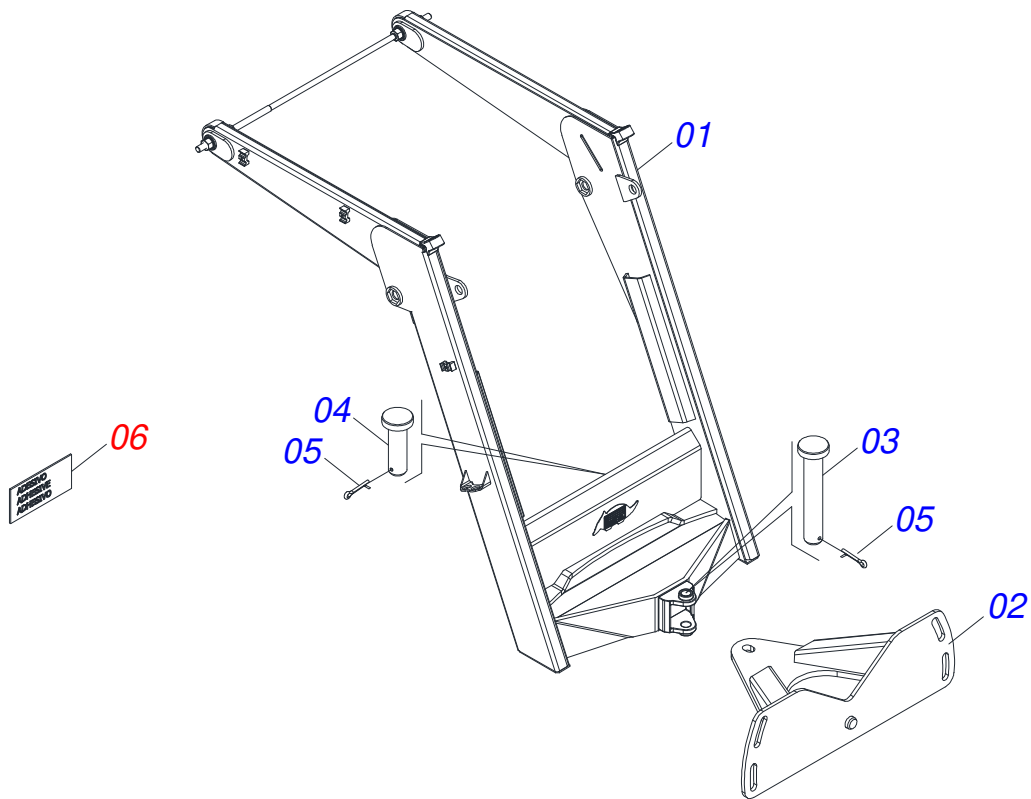


INDEX

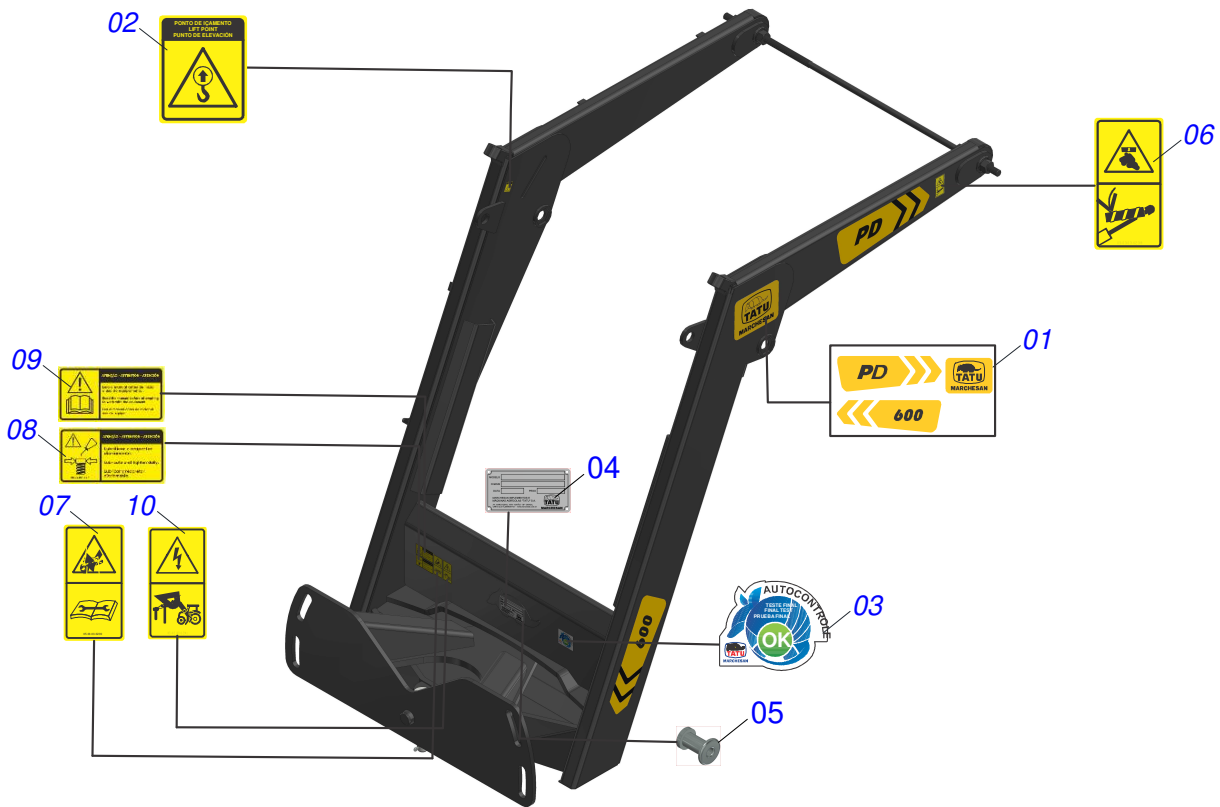
0909096782	PD 600	1
0521049957	MOBILE SUPPORT ASSY	2
0909096780	LABEL SET	3
0501048330	MOBILE SUPPORT GUIDE ASSY	4
0511047750	2400 SCRAPER ASSY WITH STABILIZER BRACKET	5
0501047708	2400 BLADE SUPPORT	6
0909091585	LABEL SET	7
0521026494	BOX WITH COMPONENTS	8
0501042819	1.1/4" NC X 33.46" ASSY ROD	9
0511047399	1.1/4" NC X 40" ASSY ROD	10
0521047923	ROD	11
0909096377	HYDRAULIC CIRCUIT	12
0521049956	HIDRAULIC CYLINDER	13
0521049955	HIDRAULIC CYLINDER	14
0511057771	R.7/8UNF - SAFETY VALVE	15
0511033919	PACKED PARTS	16
0501053834	MALE QUICK COUPLER	17
0501053835	FEMALE QUICK COUPLER	18



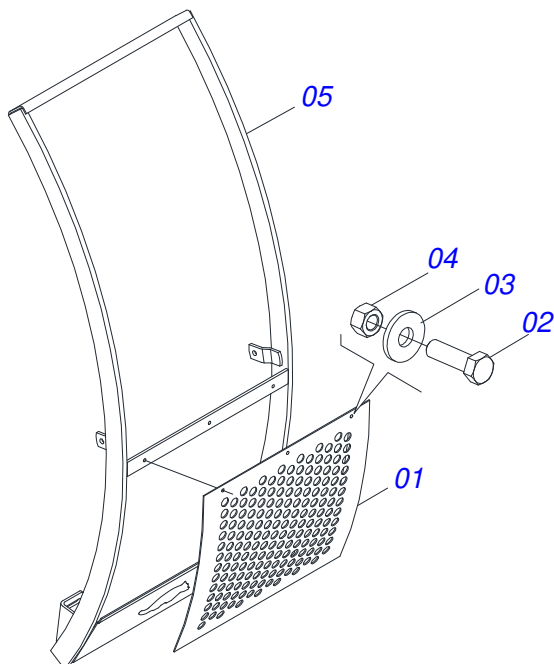
Item	Code	Description	See page	QT
01	0531064782	RIGHT FRAME		01
02	0531064795	LEFT FRAME		01
03	0521049957	MOBILE SUPPORT ASSY	2	01
04	0501048330	MOBILE SUPPORT GUIDE ASSY	4	01
05	0511047750	2400 SCRAPER ASSY WITH STABILIZER BRACKET	5	01
06	0521026494	BOX WITH COMPONENTS	8	01



Item	Code	Description	See page	QT
01	0531060773	MOBILE SUPPORT		01
02	0501062637	5/8" REGULATOR SUPPORT		01
03	0521010618	1.4" X 8.6" COUPLING SHAFT		01
04	0521010612	1.4" X 3.5" COUPLING SHAFT		01
05	0503010010	1/4" X 2.1/2" SPLIT PIN		02
06	0909096780	LABEL SET	3	01

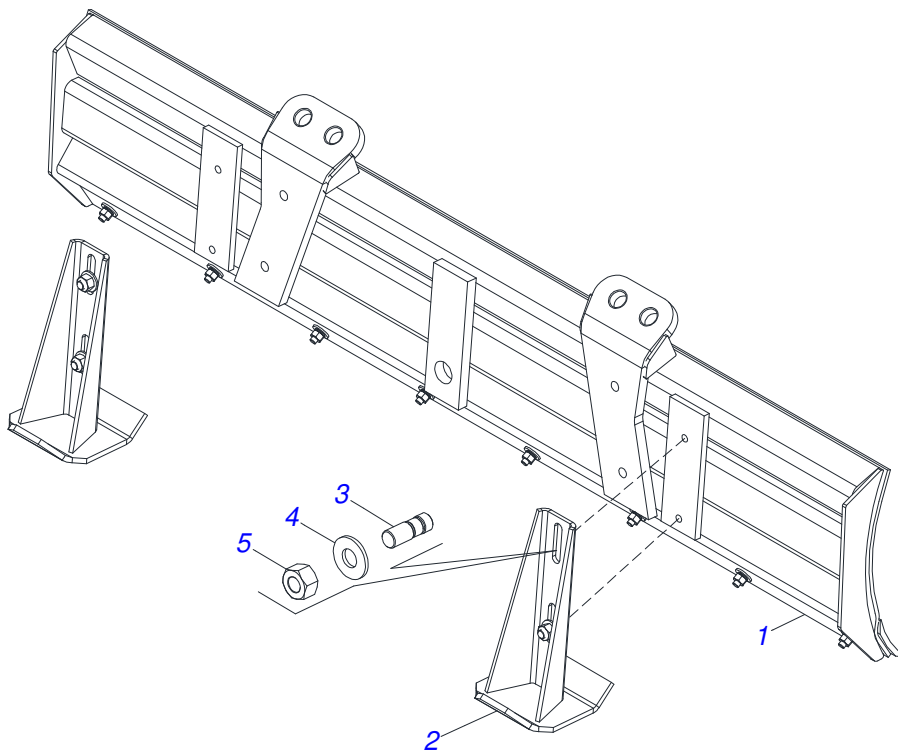


Item	Code	Description	See page	QT
01	0503064055	ADHESIVE LABEL SET		01
02	0503034078	LIFTING POINTS DECAL		01
03	0503031087	ADHESIVE LABEL		01
04	0503034003	SERIAL NUMBER TAG 61 X 118		01
05	0503010001	3.2 X 5.5 RIVET		04
06	0503036238	ADHESIVE LABEL SAFETY LOCKING HYDRAULIC CYLINDERS		01
07	0503036239	ADHESIVE LABEL ATTENTION FLUIDS WITH PRESSURE		01
08	0503031827	LUBRICATE AND RETIGHTEN DAILY DECAL		01
09	0503031428	READ MANUAL DECAL		01
10	0503036241	ADHESIVE LABEL SAFETY CAUTION SHOCK HAZARD		01

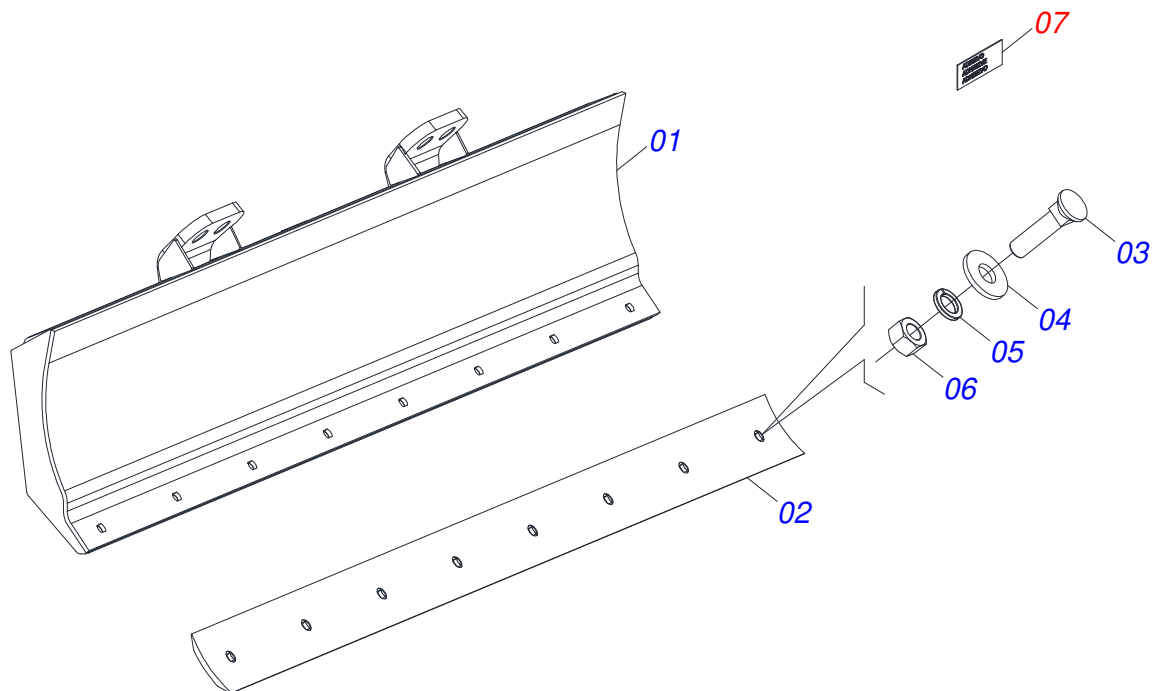


Item	Code	Description	See page	QT
01	0501014686	FRONT PROTECTION		01
02	0503010751	C3/8" X 1.1/4" HEX BOLT G.5		03
03	0501010984	10,50 X 27 X 3,00 FLAT WASHER		03
04	0503010026	3/8" NUT		03
05	0521064583	MOBILE SUPPORT GUIDE		01

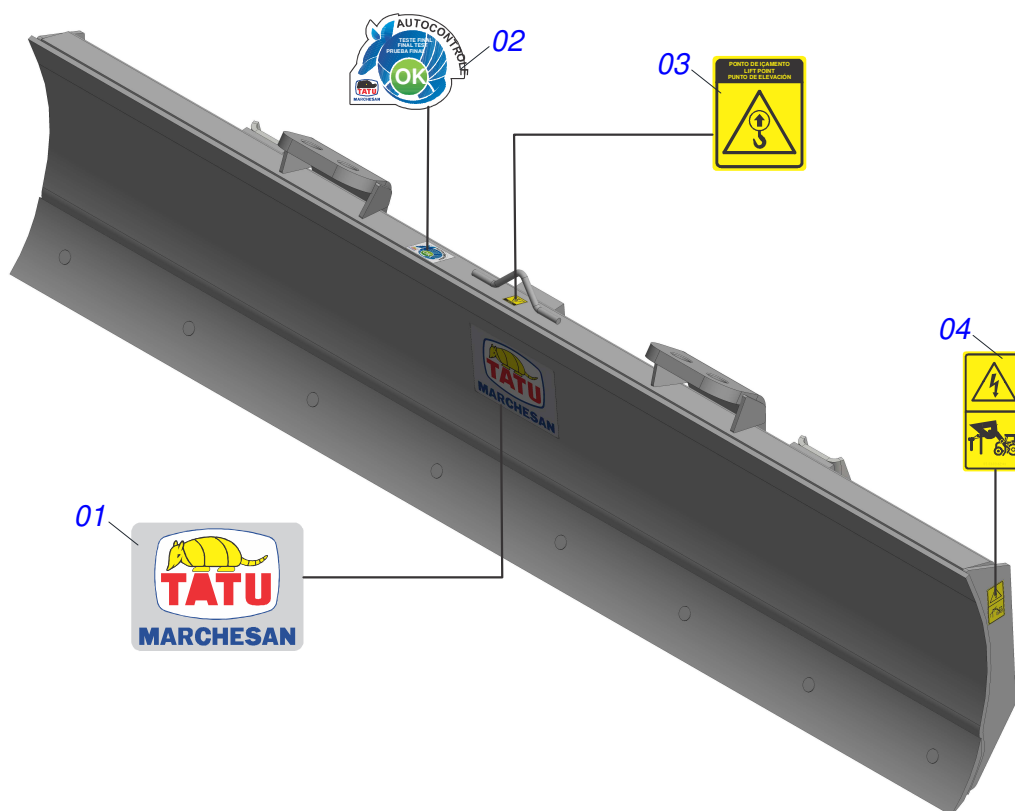
2400 SCRAPER ASSY WITH STABILIZER BRACKET



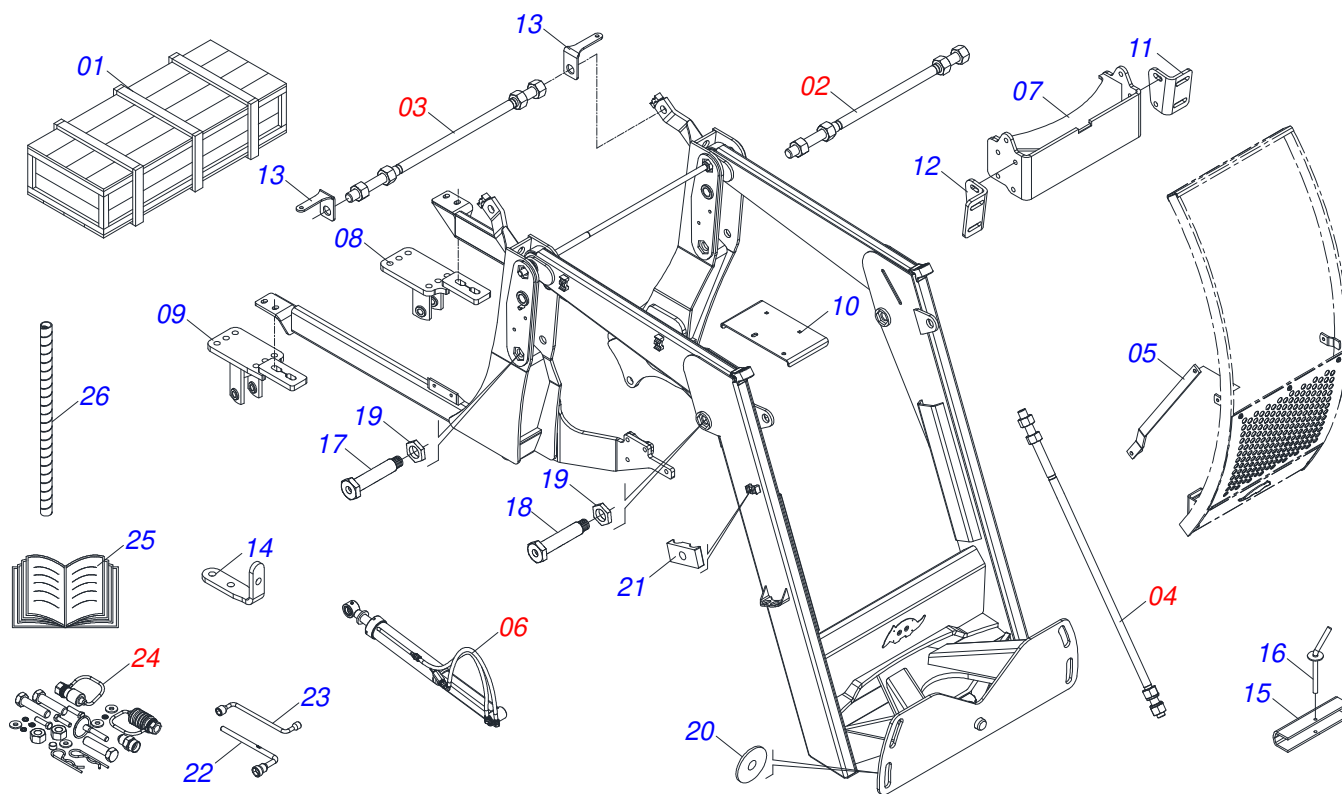
Item	Code	Description	See page	QT
01	0501047708	2400 BLADE SUPPORT	6	01
02	0501063411	ESTABILIZER BRACKET		02
03	0561016756	3/4 UNC X 3/4 UNC X 56 PRISONER		04
04	0501010322	FLAT WASHER		04
05	0503010014	3/4" HEX NUT		04



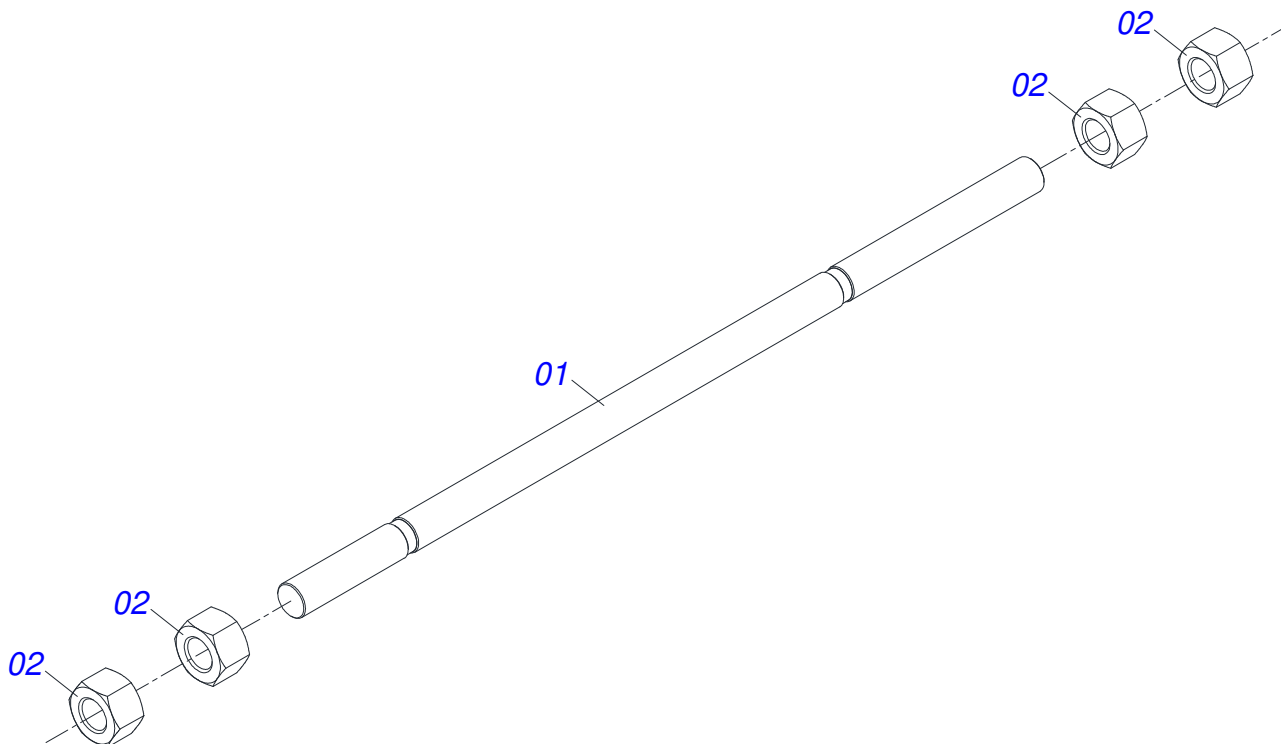
Item	Code	Description	See page	QT
01	0501067999	2390 BLADE SUPPORT		01
02	0622360016	94.5" SCRAPER REVERSIBLE		01
03	0501012240	BOLT		08
04	0501012140	FLAT WASHER		08
05	0503011445	SPRING WASHER		08
06	0503010013	5/8 NUT		08
07	0909091585	LABEL SET	7	01



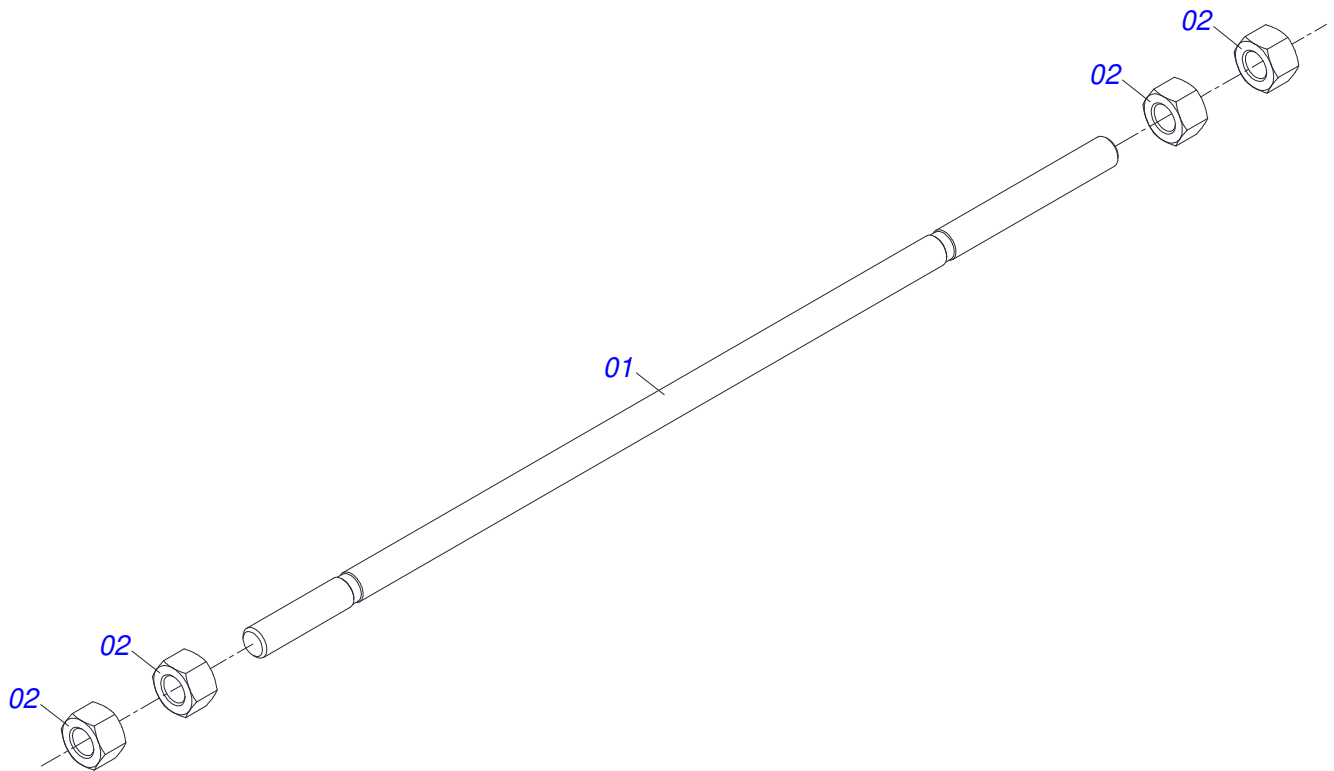
Item	Code	Description	See page	QT
01	0503033429	ADHESIVE LABEL		01
02	0503031087	ADHESIVE LABEL		01
03	0503034078	LIFTING POINTS DECAL		02
04	0503036241	ADHESIVE LABEL SAFETY CAUTION SHOCK HAZARD		01



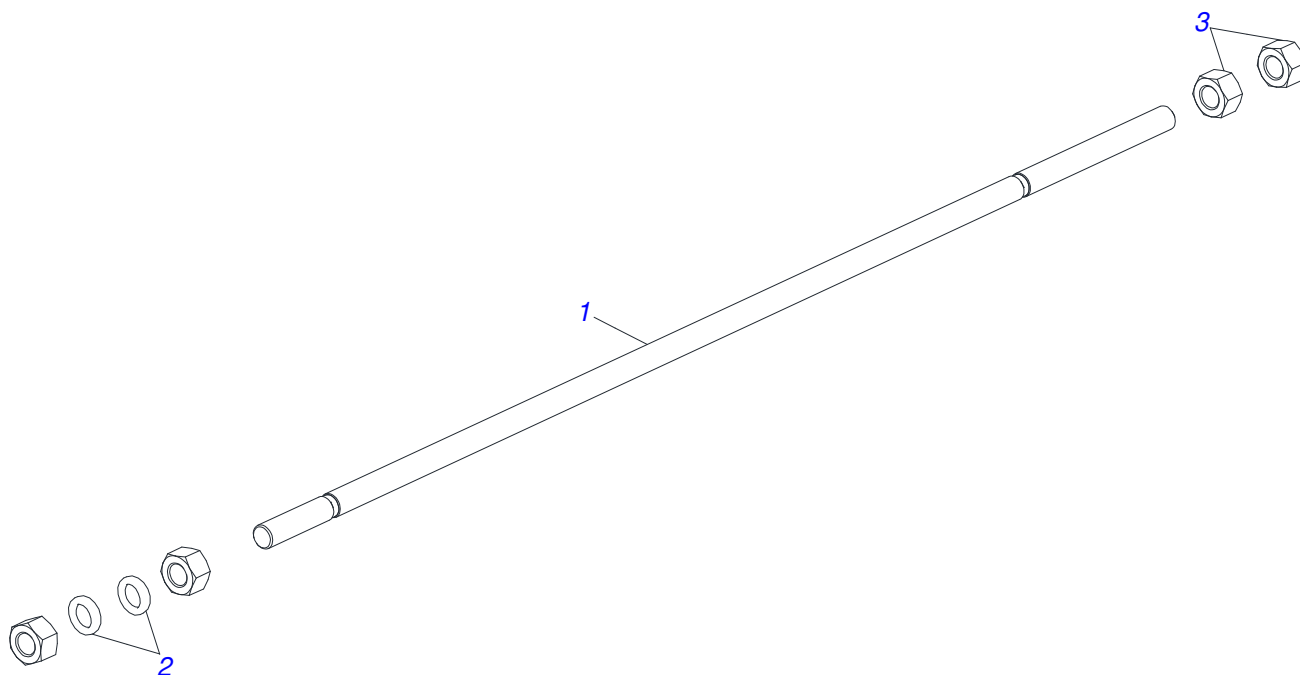
Item	Code	Description	See page	QT
01	0501100007	BOX WOOD 2150X400X440		01
02	0501042819	1.1/4" NC X 33.46" ASSY ROD	9	01
03	0511047399	1.1/4" NC X 40" ASSY ROD	10	01
04	0521047923	ROD	11	02
05	0591015520	GUIDE BAR		02
06	0909096377	HYDRAULIC CIRCUIT	12	01
07	0531061453	FIXER SUPPORT		01
08	0521063770	LEFT BRACKET		01
09	0531061202	DIFFERENTIAL RIGHT SHOE		01
10	0591015517	BASE FIXATION LADDER		01
11	0591015522	LEFT FIXER		01
12	0591015521	MOBILE SUPPORT GUIDE FIXER		01
13	0561010051	HEADLIGHT SUPPORT		02
14	0591015569	FIXER		01
15	0531017238	LOCK TRANSPORT		02
16	0501068994	8,30 X 78 LOCK PIN		02
17	0581013410	1.1/4" UNF X 155 BOLT		04
18	0581013378	GREASE SCREW		02
19	0581010243	WASHER HEX		06
20	0501010574	FLAT WASHER		04
21	1902010477	UPPER CLAMP BODY		05
22	0501061617	1" GANG BOLT WRENCH		01
23	0501068213	5/8" WRENCH DOUBLE		01
24	0511033919	PACKED PARTS	16	01
25	0511033668	BAG WITH INSTRUCTION MANUAL		01
26	0581010090	SPRING PROTECTION PLASTIC HOSE		02



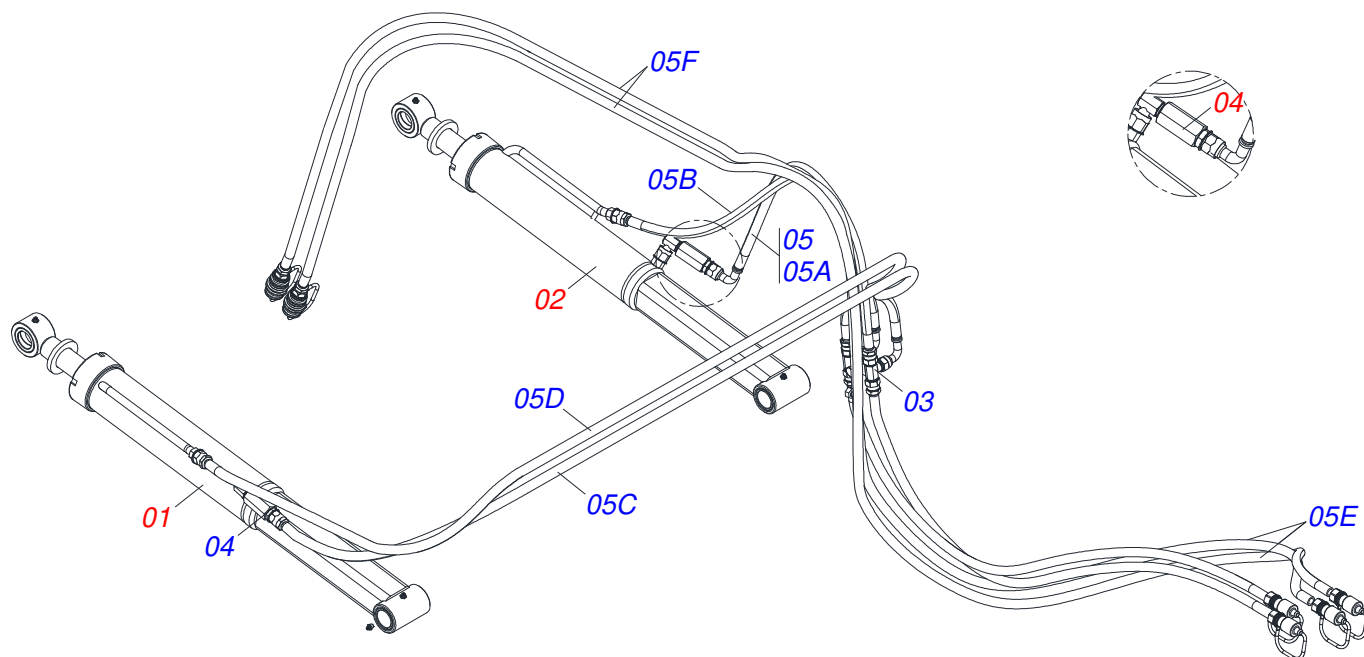
Item	Code	Description	See page	QT
01	0501018845	1.1/4" X 33.46" ROD		01
02	0501010087	1.1/4" NUT		04



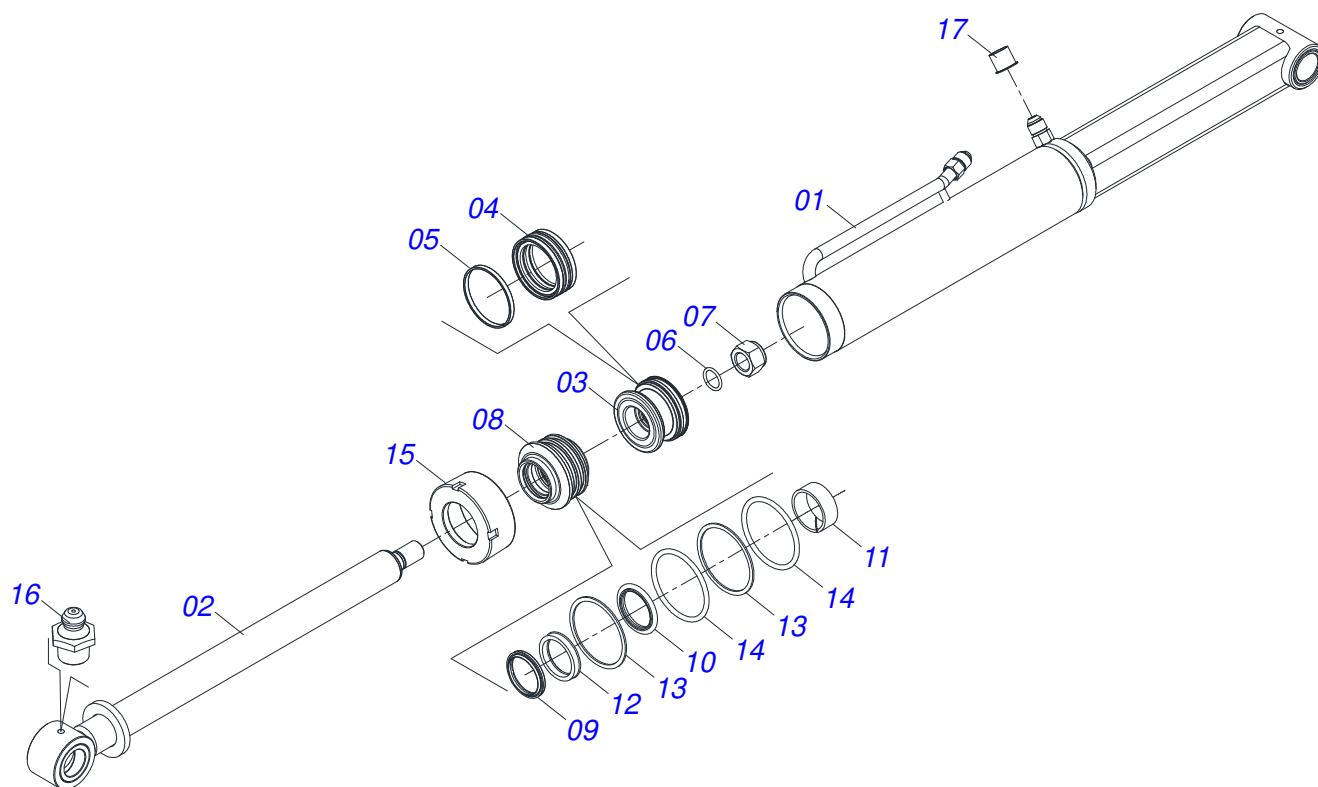
Item	Code	Description	See page	QT
01	0561010598	1.1/4 UNC 7FPP X 1140 ROD		01
02	0501010087	1.1/4" NUT		04



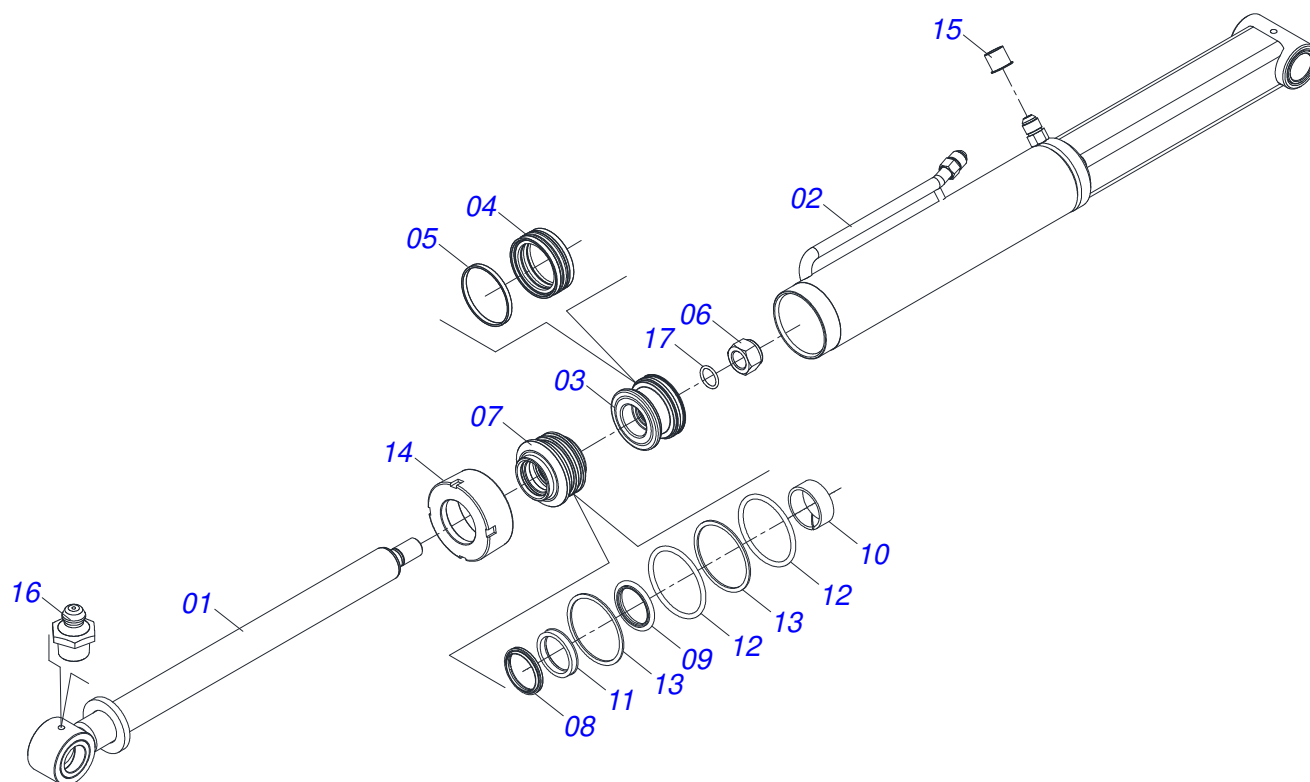
Item	Code	Description	See page	QT
01	0581016637	ROD		01
02	0502012180	CONICAL SPRING WASHER		02
03	0501010087	1.1/4" NUT		04



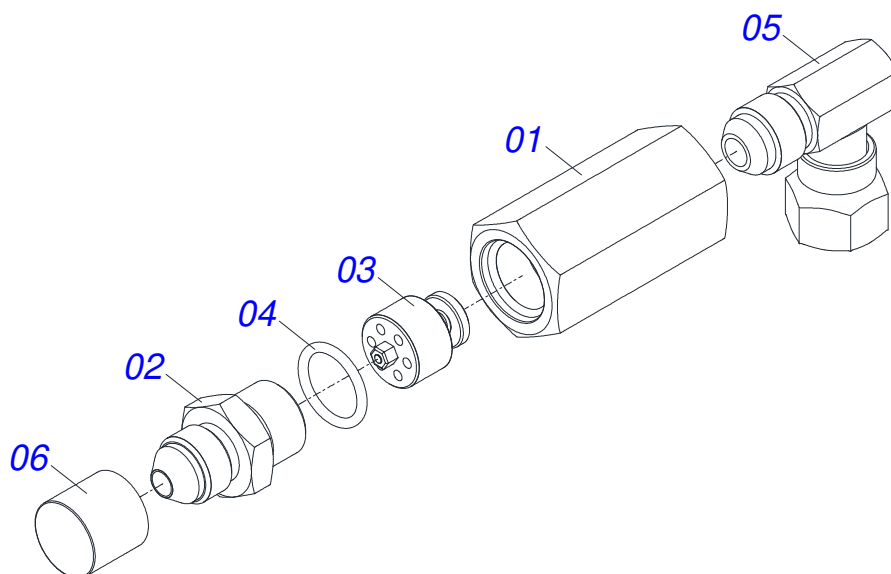
Item	Code	Description	See page	QT
01	0521049956	HIDRAULIC CYLINDER	13	01
02	0521049955	HIDRAULIC CYLINDER	14	01
03	0521064869	7/8UNF JIC OIL DISTRIBUTOR		01
04	0511057771	R.7/8UNF - SAFETY VALVE	15	02
05	0521059522	HOSE KIT		01
05A	0501080013	1/2 X 850 TR-TC HOSE		01
05B	0501080022	1/2" X 43" TR-TR HOSE ASSY		01
05C	0501080016	1/2 X 2800 TR-TC HOSE		01
05D	0501080269	1/2 X 3000 TR-TC HOSE ASSY		01
05E	0501081746	HOSE 1/2 X 3200 TR-TM		02
05F	0501080286	HOSE 1/2 X 6200 TR-TM		02



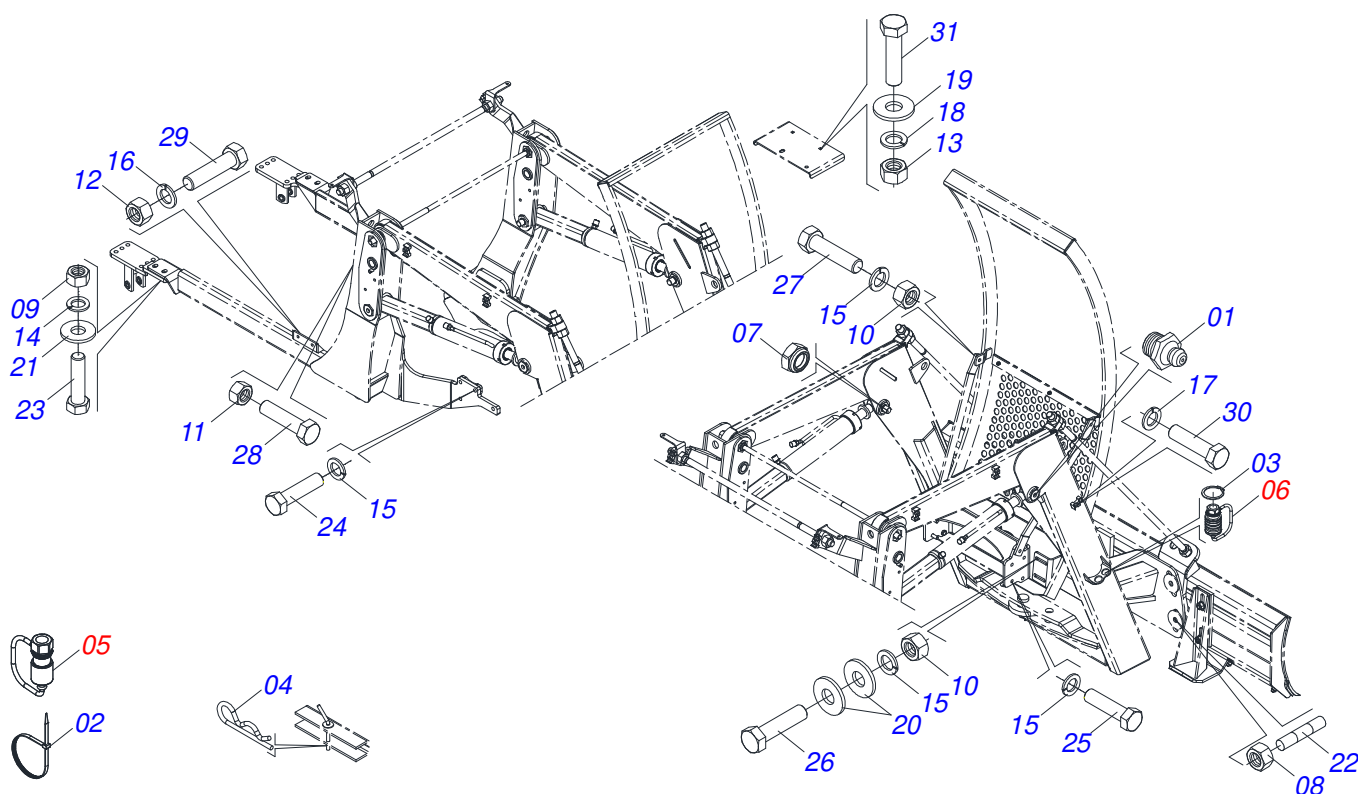
Item	Code	Description	See page	QT
01	0511071873	CASE BODY		01
02	0531060777	ROD		01
03	0571019710	1.7" X 3.4" PISTON		01
04	0503017935	RING		01
05	0503018144	RING		01
06	0503010042	2-214 N 3006-9B O'RING		01
07	0503010063	1" SELF-ALIGNING NUT		01
08	0571019711	RING SUPPORT		01
09	0503010761	D-1750 SCRAPER RING		01
10	0503017936	RING		01
11	0503017938	RING GUIDE		01
12	0503017937	GASKET		01
13	0503017940	8-337 BACK-UP RING		02
14	0503017939	2-337 N 3006-9B O' RING		02
15	0571019709	DETACHABLE COVER		01
16	0503010002	1800 GREASE FITTING		02
17	0503030387	PLUG		02



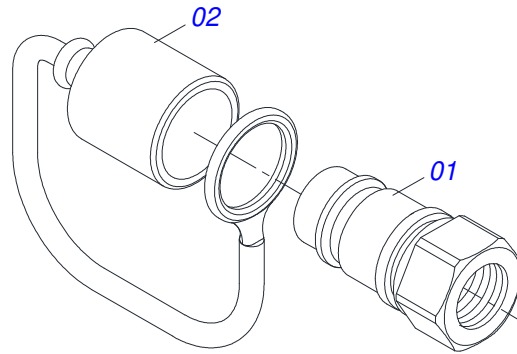
Item	Code	Description	See page	QT
01	0531060777	ROD		01
02	0511071829	CASE BODY		01
03	0571019710	1.7" X 3.4" PISTON		01
04	0503017935	RING		01
05	0503018144	RING		01
06	0503010063	1" SELF-ALIGNING NUT		01
07	0571019711	RING SUPPORT		01
08	0503010761	D-1750 SCRAPER RING		01
09	0503017936	RING		01
10	0503017938	RING GUIDE		01
11	0503017937	GASKET		01
12	0503017939	2-337 N 3006-9B O' RING		02
13	0503017940	8-337 BACK-UP RING		02
14	0571019709	DETACHABLE COVER		01
15	0503030387	PLUG		02
16	0503010002	1800 GREASE FITTING		02
17	0503010042	2-214 N 3006-9B O'RING		01



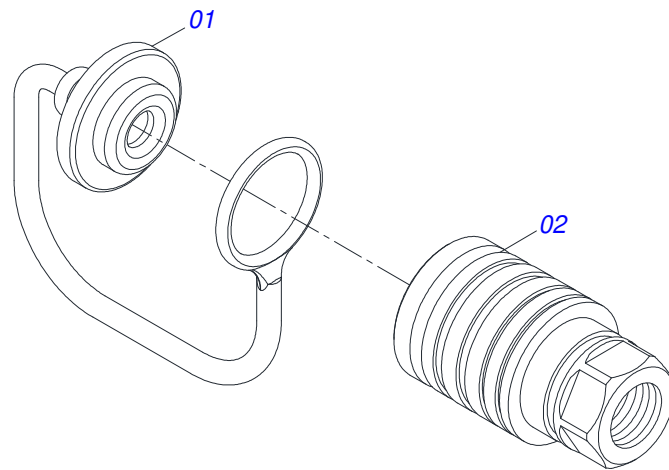
Item	Code	Description	See page	QT
01	0503018033	37 X R.7/8 UNF 90° JIC MALE CONNECTOR WITH ROTATING NUT		01
02	0581014053	1/2 BSP X 7/8 UNF JIC X 64 ADAPTER		01
03	0503016854	SAFETY VALVE		01
04	0503010045	O'RING		01
05	0581014052	1/2 BSP X 7/8 UNF JIC X 43 NIPLE		01
06	0503030387	PLUG		01



Item	Code	Description	See page	QT
01	0503010002	1800 GREASE FITTING		06
02	0503013527	CLAMP ZIPER		10
03	0503010217	501040 CLAMPING RING (FOR AXLE)		04
04	0503030168	HITCH PIN CLIP		02
05	0501053834	MALE QUICK COUPLER	17	04
06	0501053835	FEMALE QUICK COUPLER	18	02
07	0503010044	1-1/4" SELF LOCKING NUT		06
08	0501010059	1.5/8 NUT		04
09	0503010014	3/4" HEX NUT		04
10	0503010013	5/8 NUT		12
11	0503011336	1/2" HEX SELF ADJUSTING NUT		02
12	0503010060	1/2 UNC G.5 ZN HEX NUT		01
13	0503010026	3/8" NUT		02
14	0503010023	3/4" SPRING WASHER		04
15	0503010027	5/8 SPRING WASHER		24
16	0503010019	1/2" SPRING WASHER		01
17	0503010180	7/16" SPRING WASHER		05
18	0503010025	3/8 SPRING WASHER		02
19	0501011517	FLAT WASHER		02
20	0501012140	FLAT WASHER		10
21	0501010322	FLAT WASHER		08
22	0561016755	PRISONER 1 UNC X 1 UNC X 76 ZN		04
23	0501010827	3/4" X 2-3/4" BOLT		04
24	0503012573	M16 X 2 X 65 BOLT		08
25	0503011188	M16 X 2 X 50 BOLT		04
26	0503010899	5/8 UNC X 2.1/4 BOLT		04
27	0501010100	SCREW 5/8 UNC X 2 CS G.5 ZN		08
28	0501010077	1/2" X 2" BOLT		02
29	0503010238	BOLT 1/2 UNC X 1.3/4 CS G.2 ZN		01
30	0503011135	BOLT		05
31	0501011643	3/8 X 1"BOLT		02



Item	Code	Description	See page	QT
01	0503011627	MALE QUICK COUPLER AGR 1/2 NPT		01
02	0503011882	MALE QUICK COUPLER CAP		01



Item	Code	Description	See page	QT
01	0503011883	QUICK CONNECTION COVER		01
02	0503011628	FEMALE QUICK COUPLER		01



MARCHESAN

Technical Publications | Elaboration and Revision

LORENA ROCHA ALVES

www.marchesan.com.br

