

PD - FRONT LOADER

PD 600

Code: 0501093557
Series: S-0321
Revision: 00
Date Revision: JULHO/2023

PARTS CATALOGUE



MARCHESAN



PRODUCTS

Code	Description
0106030457	PD 600 S-0321
0106030458	PD 600 S-0321

ATTENTION: IMPORTANT

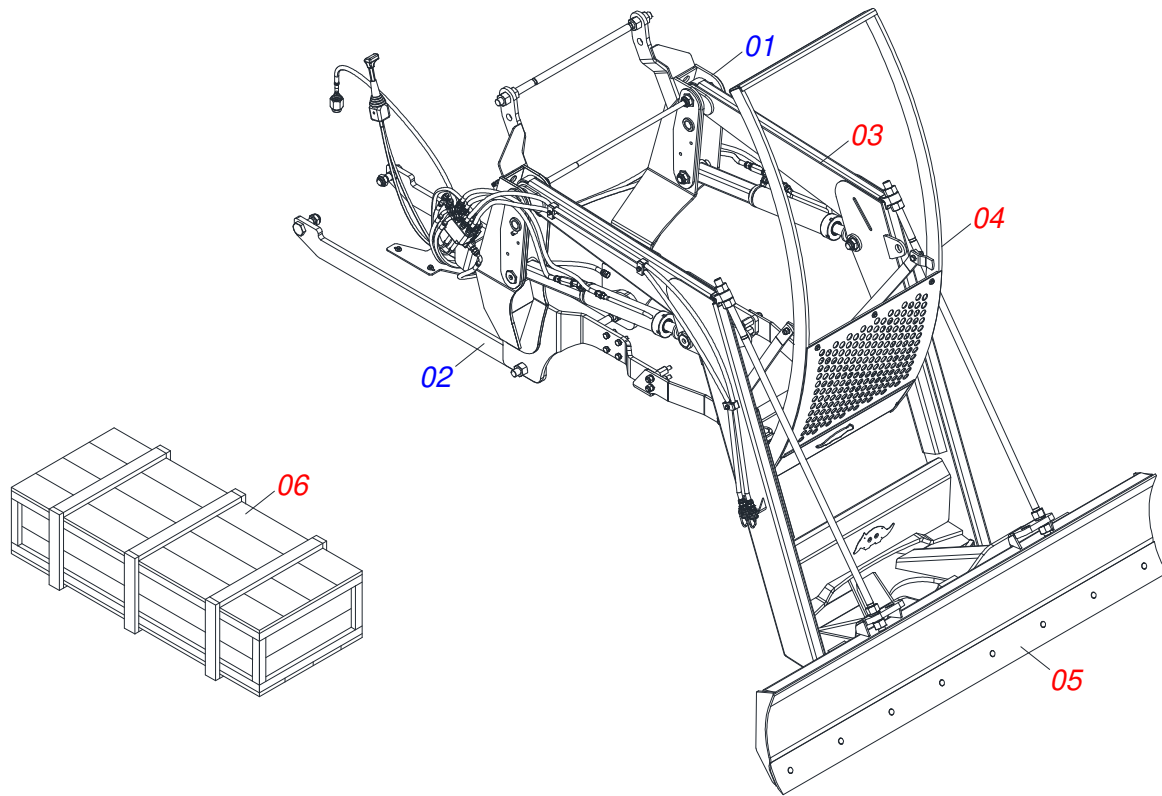
Marchesan S.A. reserves the right to improve and/or modify the technical features of its products, without obligation to do the same with those products already sold and without prior knowledge of the dealer or the customer. The photos are only illustrative.



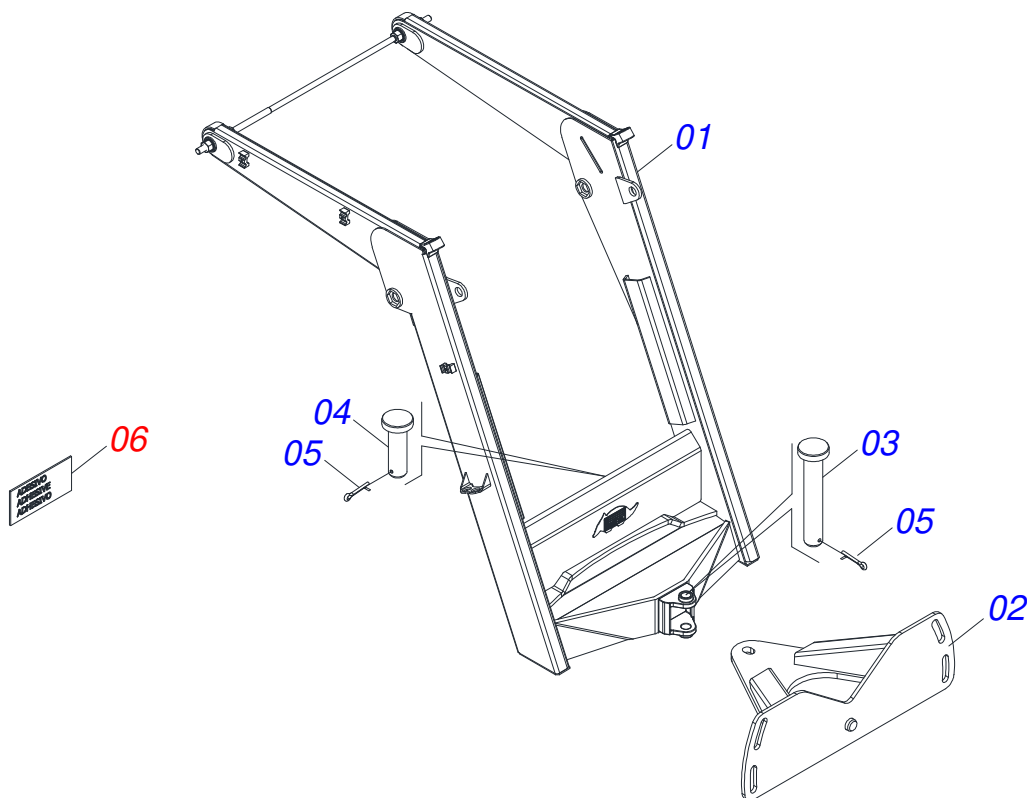
MARCHESAN

INDEX

0909096779	ASSY FRAME	1
0521049957	MOBILE SUPPORT ASSY	2
0909096780	LABEL SET	3
0501048330	MOBILE SUPPORT GUIDE ASSY	4
0511047750	2400 SCRAPER ASSY WITH STABILIZER BRACKET	5
0501047708	2400 BLADE SUPPORT	6
0909091585	LABEL SET	7
0521027035	BOX WITH COMPONENTS	8
0521047554	ROD 1.1 / 4 NC 760 X 4 ASSY WITH NUT	9
0511044706	1.1/4 NC X 950 FULL ROD	10
0521047923	ROD	11
0909096375	HYDRAULIC CIRCUIT	12
0521049956	HIDRAULIC CYLINDER	13
0521049955	HIDRAULIC CYLINDER	14
0511057771	R.7/8UNF - SAFETY VALVE	15
0511034140	PACKED PARTS	16
0501053834	MALE QUICK COUPLER	17
0501053835	FEMALE QUICK COUPLER	18
0521027036	BOX WITH COMPONENTS	19
0909096374	HYDRAULIC CIRCUIT	20
0521047176	COMMAND	21
0521045393	SET SUPPORT JOY STICK	22
0511034141	PACKED PARTS	23



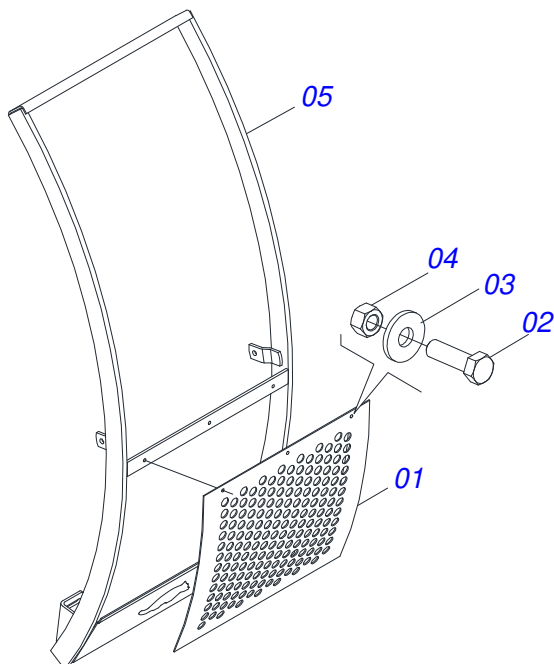
Item	Code	Description	See page	PÇ
01	0531064780	LEFT FRAME		01
02	0531064778	RIGHT FRAME		01
03	0521049957	MOBILE SUPPORT ASSY	2	01
04	0501048330	MOBILE SUPPORT GUIDE ASSY	4	01
05	0511047750	2400 SCRAPER ASSY WITH STABILIZER BRACKET	5	01
06	0521027035	BOX WITH COMPONENTS	8	01
06.	0521027036	BOX WITH COMPONENTS	19	01



Item	Code	Description	See page	QT
01	0531060773	MOBILE SUPPORT		01
02	0501062637	5/8" REGULATOR SUPPORT		01
03	0521010618	1.4" X 8.6" COUPLING SHAFT		01
04	0521010612	1.4" X 3.5" COUPLING SHAFT		01
05	0503010010	1/4" X 2.1/2" SPLIT PIN		02
06	0909096780	LABEL SET	3	01

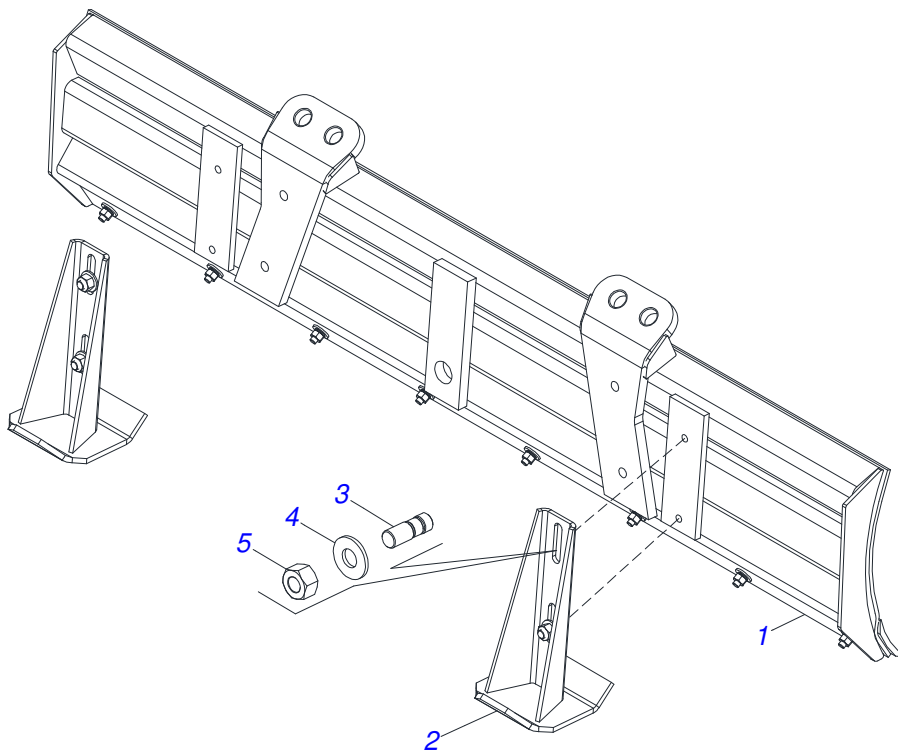


Item	Code	Description	See page	QT
01	0503064055	ADHESIVE LABEL SET		01
02	0503034078	LIFTING POINTS DECAL		01
03	0503031087	ADHESIVE LABEL		01
04	0503034003	SERIAL NUMBER TAG 61 X 118		01
05	0503010001	3.2 X 5.5 RIVET		04
06	0503036238	ADHESIVE LABEL SAFETY LOCKING HYDRAULIC CYLINDERS		01
07	0503036239	ADHESIVE LABEL ATTENTION FLUIDS WITH PRESSURE		01
08	0503031827	LUBRICATE AND RETIGHTEN DAILY DECAL		01
09	0503031428	READ MANUAL DECAL		01
10	0503036241	ADHESIVE LABEL SAFETY CAUTION SHOCK HAZARD		01

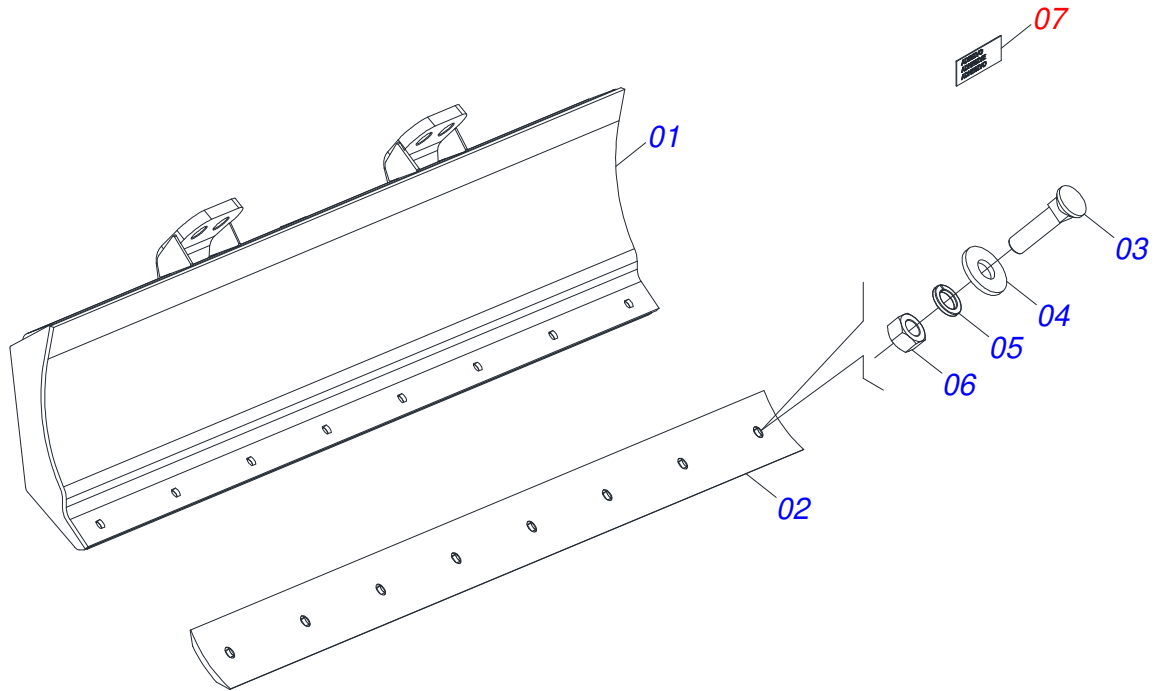


Item	Code	Description	See page	QT
01	0501014686	FRONT PROTECTION		01
02	0503010751	C3/8" X 1.1/4" HEX BOLT G.5		03
03	0501010984	10,50 X 27 X 3,00 FLAT WASHER		03
04	0503010026	3/8" NUT		03
05	0521064583	MOBILE SUPPORT GUIDE		01

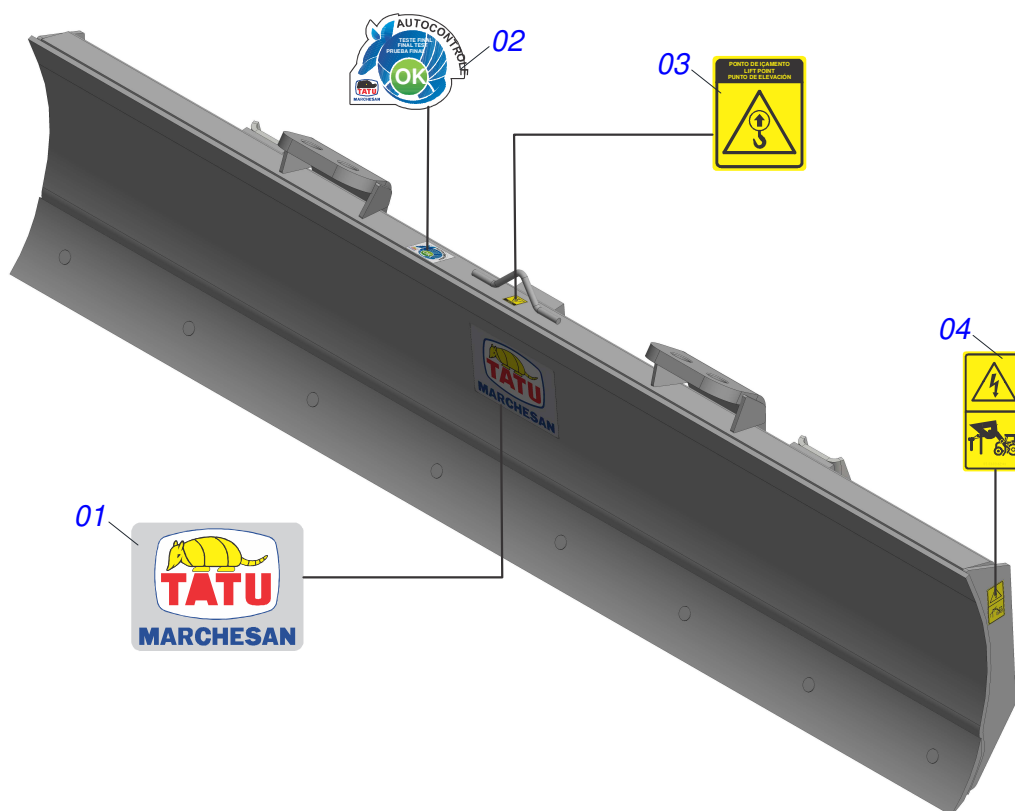
2400 SCRAPER ASSY WITH STABILIZER BRACKET



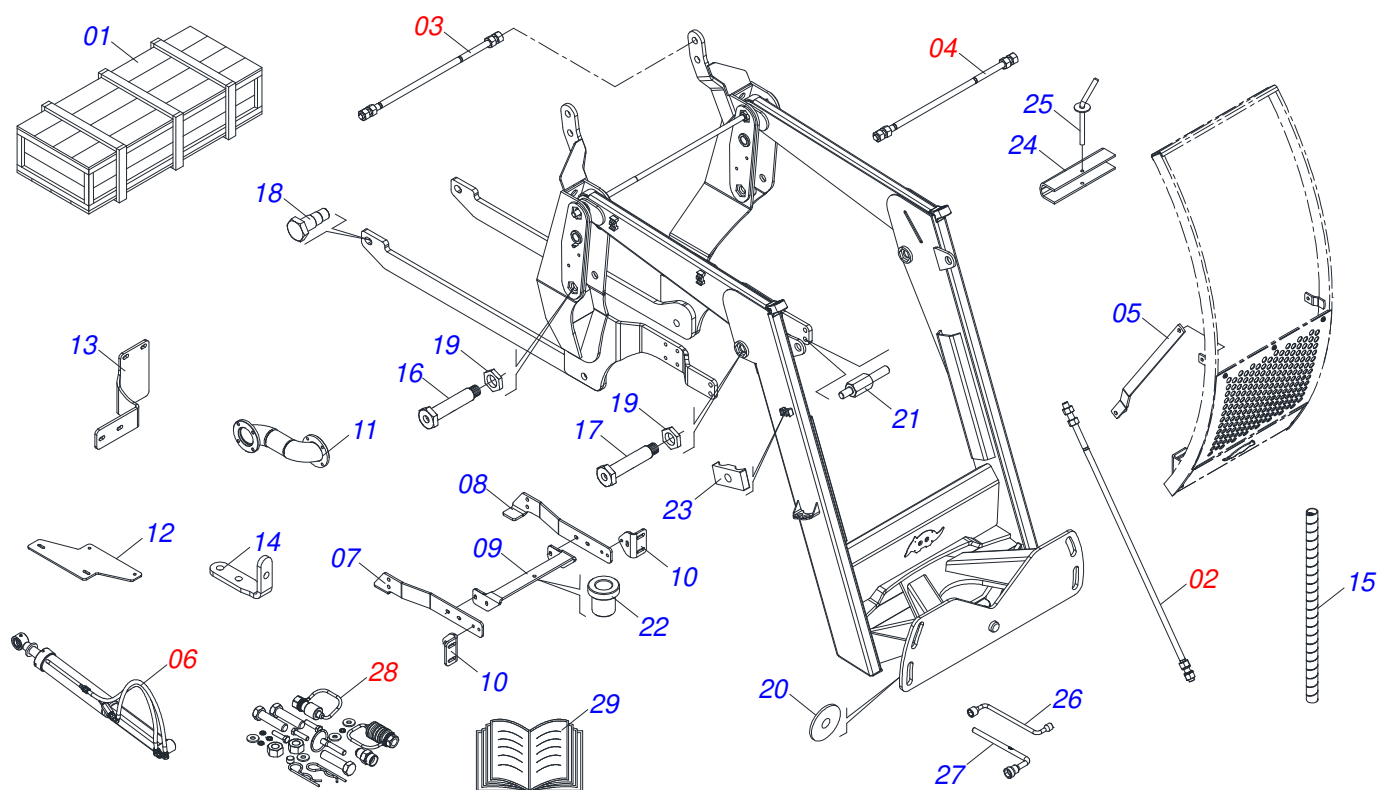
Item	Code	Description	See page	QT
01	0501047708	2400 BLADE SUPPORT	6	01
02	0501063411	ESTABILIZER BRACKET		02
03	0561016756	3/4 UNC X 3/4 UNC X 56 PRISONER		04
04	0501010322	FLAT WASHER		04
05	0503010014	3/4" HEX NUT		04



Item	Code	Description	See page	QT
01	0501067999	2390 BLADE SUPPORT		01
02	0622360016	94.5" SCRAPER REVERSIBLE		01
03	0501012240	BOLT		08
04	0501012140	FLAT WASHER		08
05	0503011445	SPRING WASHER		08
06	0503010013	5/8 NUT		08
07	0909091585	LABEL SET	7	01

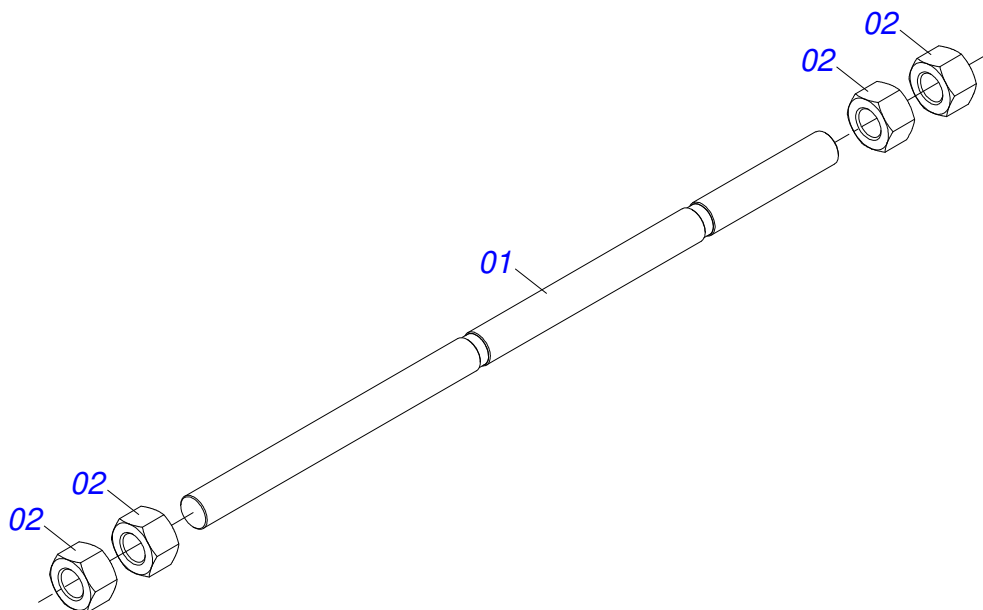


Item	Code	Description	See page	QT
01	0503033429	ADHESIVE LABEL		01
02	0503031087	ADHESIVE LABEL		01
03	0503034078	LIFTING POINTS DECAL		02
04	0503036241	ADHESIVE LABEL SAFETY CAUTION SHOCK HAZARD		01

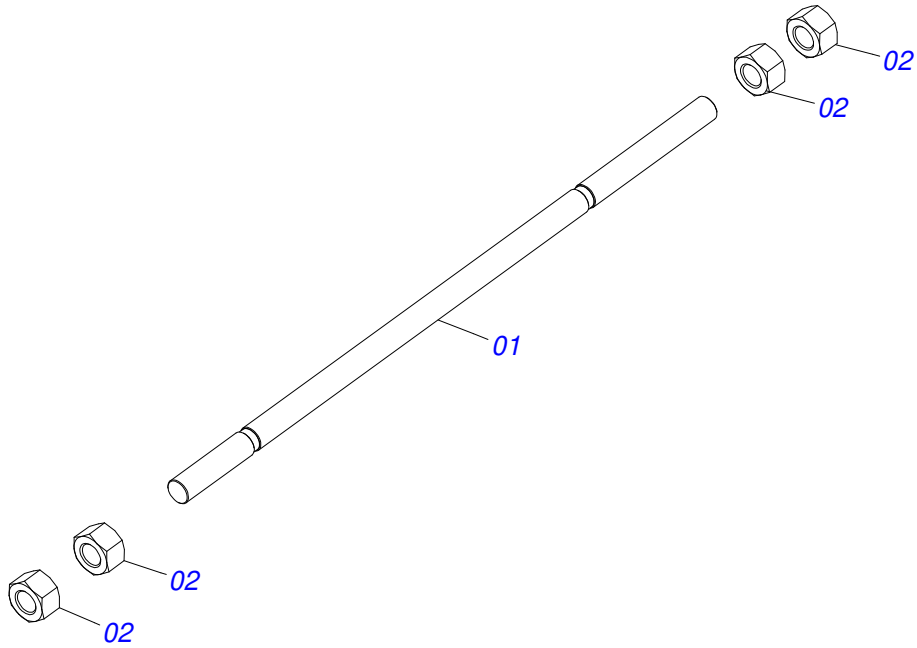


Item	Code	Description	See page	QT
01	0501100044	1700 X 700 X 500 WOODEN BOX		01
02	0521047554	ROD 1.1 / 4 NC 760 X 4 ASSY WITH NUT	9	01
03	0511044706	1.1/4 NC X 950 FULL ROD	10	01
04	0521047923	ROD	11	01
05	0591019094	SWIVELING BAR		02
06	0909096375	HYDRAULIC CIRCUIT	12	01
07	0591019095	FIXING PLATE		01
08	0591019099	FIXING PLATE		01
09	0591019096	SUPPORT BASE		01
10	0571014003	FASTENING BRACKET OF THE HIGH GUIDE		02
11	0531062211	EXHAUST PROLONGER		01
12	0591019102	TOOL BOX SUPPORT BRACKET		01
13	0591019092	OIL FILTER SUPPORT		01
14	0591015569	FIXER		01
15	0581010090	SPRING PROTECTION PLASTIC HOSE		02
16	0581013410	1.1/4" UNF X 155 BOLT		04
17	0581013378	GREASE SCREW		02
18	0571019101	1.1/4 UNF X 110 BOLT		02
19	0581010243	WASHER HEX		06
20	0501010574	FLAT WASHER		04
21	0581016773	STUD		04
22	0591019101	CALVE BRACKET		01
23	0502010477	HOSE CLAMP		03
24	0531017238	LOCK TRANSPORT		02
25	0501068994	8,30 X 78 LOCK PIN		02
26	0501068213	5/8" WRENCH DOUBLE		01
27	0501061617	1" GANG BOLT WRENCH		01
28	0511034140	PACKED PARTS	16	01
29	0511033668	BAG WITH INSTRUCTION MANUAL		01

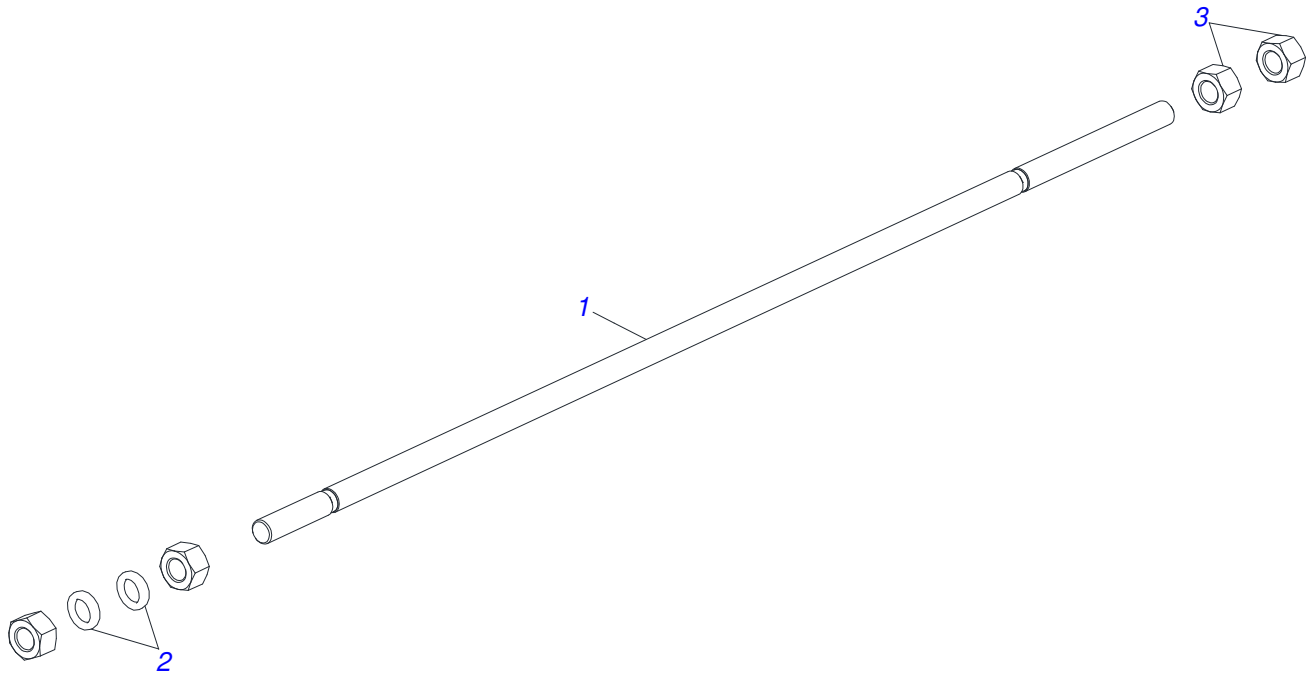
ROD 1.1 / 4 NC 760 X 4 ASSY WITH NUT



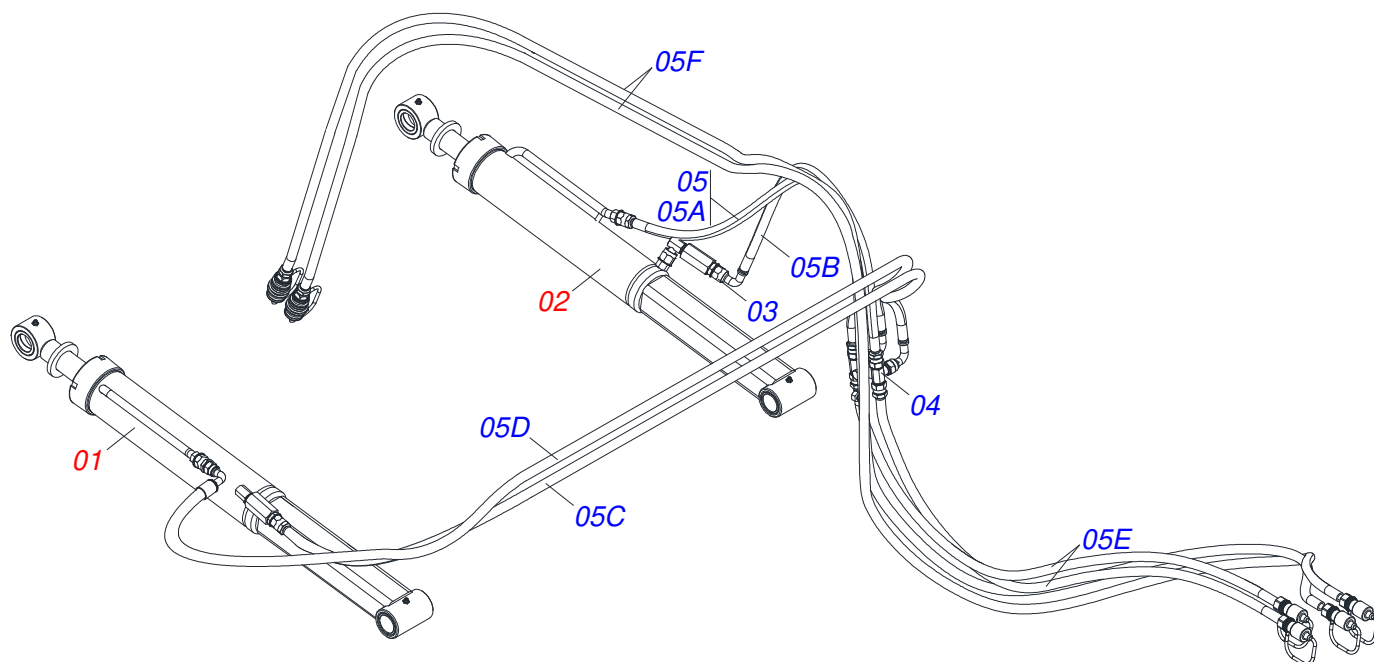
Item	Code	Description	See page	QT
01	0501010628	1.1/4" X 760 ROD		01
02	0501010087	1.1/4" NUT		04



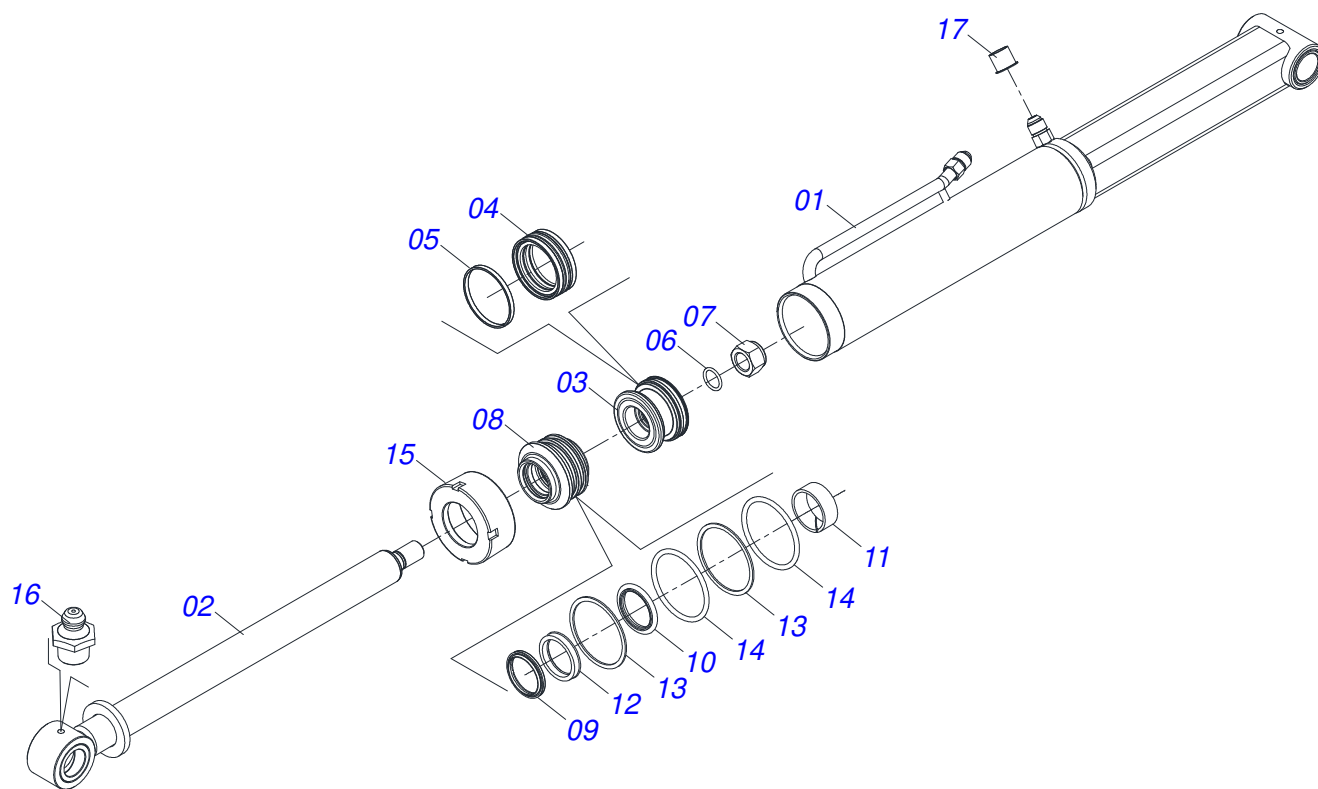
Item	Code	Description	See page	QT
01	0541019517	1.1/4" ROD		01
02	0501010087	1.1/4" NUT		04



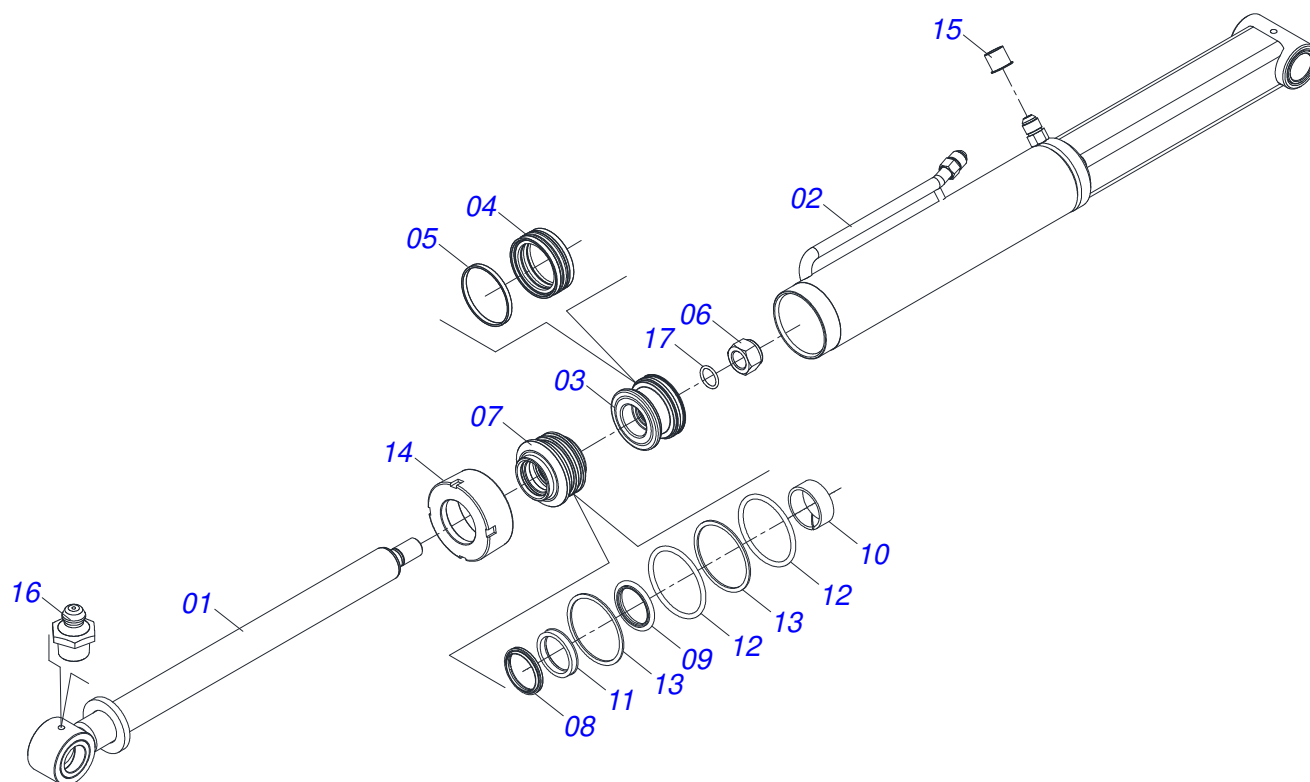
Item	Code	Description	See page	QT
01	0581016637	ROD		01
02	0502012180	CONICAL SPRING WASHER		02
03	0501010087	1.1/4" NUT		04



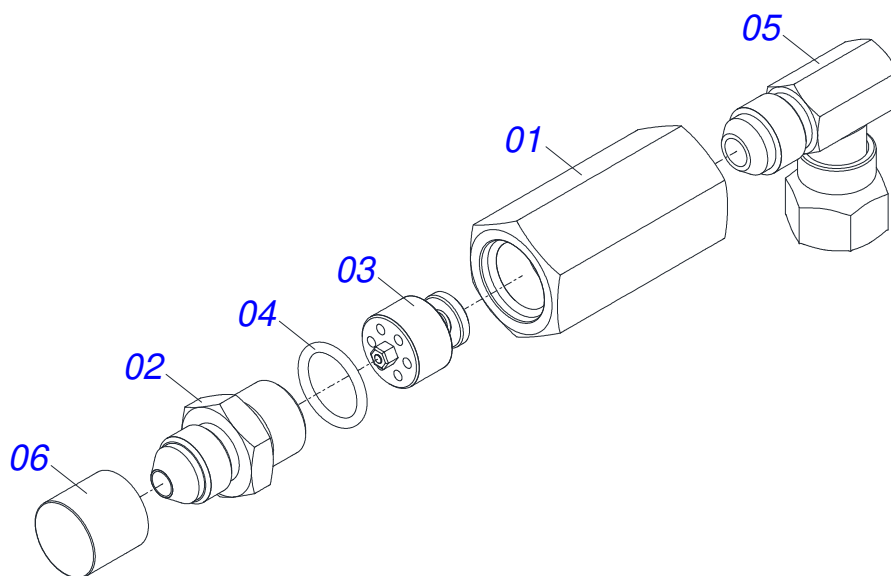
Item	Code	Description	See page	QT
01	0521049956	HIDRAULIC CYLINDER	13	01
02	0521049955	HIDRAULIC CYLINDER	14	01
03	0511057771	R.7/8UNF - SAFETY VALVE	15	01
04	0521064869	7/8UNF JIC OIL DISTRIBUTOR		01
05	0531051862	HOSE KIT		01
05A	0501080014	1/2 X 1000 TR-TR HOSE		01
05B	0501080123	1/2 X 800 TR-TC HOSE ASSY		01
05C	0501080085	HOSE 1/2 X 3600 TR-TC		01
05D	0501080938	1/2 X 3800 TC-TC HOSE		01
05E	0501080920	1/2 X 3500 TC-TM HOSE		02
05F	0501082139	HOSE 1/2 X 6500 TM-TM		02



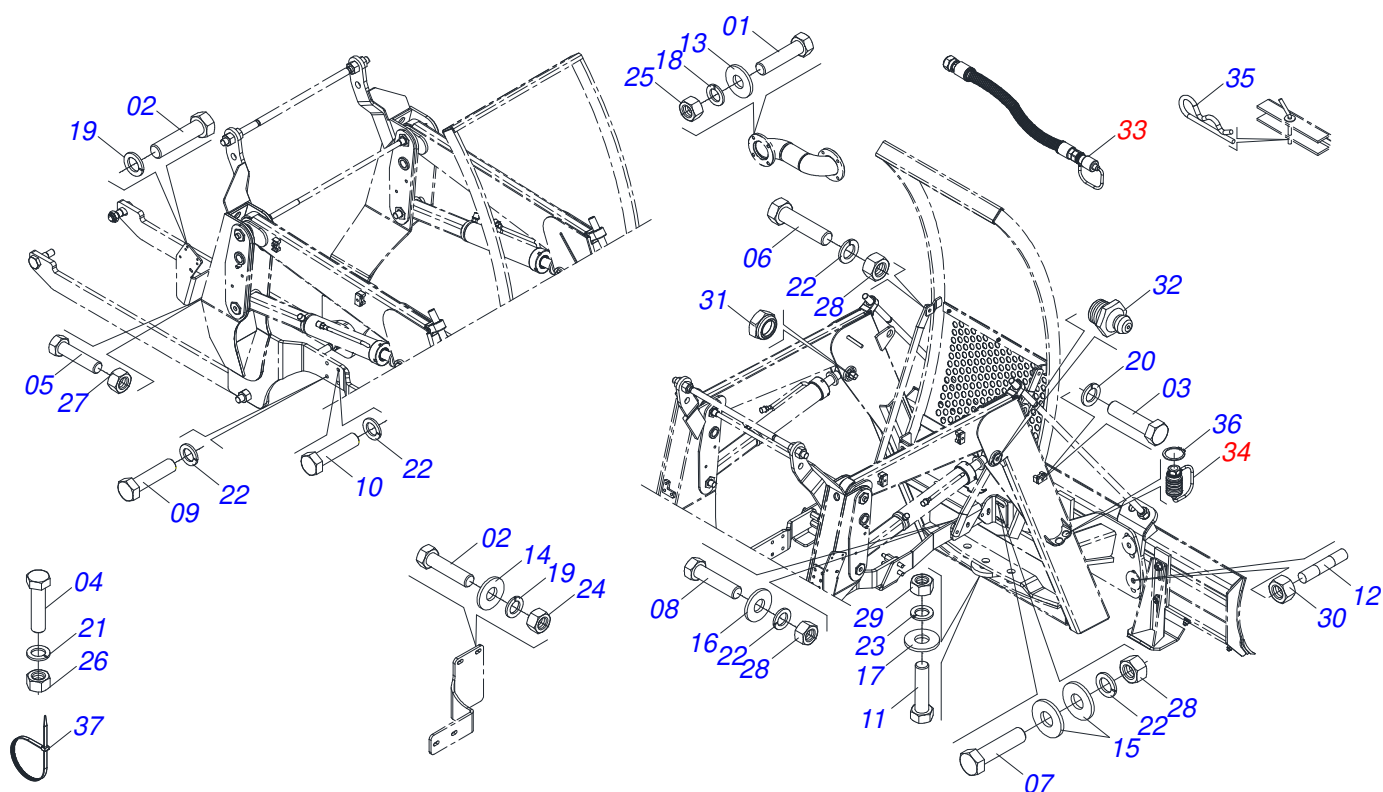
Item	Code	Description	See page	QT
01	0511071873	CASE BODY		01
02	0531060777	ROD		01
03	0571019710	1.7" X 3.4" PISTON		01
04	0503017935	RING		01
05	0503018144	RING		01
06	0503010042	2-214 N 3006-9B O'RING		01
07	0503010063	1" SELF-ALIGNING NUT		01
08	0571019711	RING SUPPORT		01
09	0503010761	D-1750 SCRAPER RING		01
10	0503017936	RING		01
11	0503017938	RING GUIDE		01
12	0503017937	GASKET		01
13	0503017940	8-337 BACK-UP RING		02
14	0503017939	2-337 N 3006-9B O' RING		02
15	0571019709	DETACHABLE COVER		01
16	0503010002	1800 GREASE FITTING		02
17	0503030387	PLUG		02



Item	Code	Description	See page	QT
01	0531060777	ROD		01
02	0511071829	CASE BODY		01
03	0571019710	1.7" X 3.4" PISTON		01
04	0503017935	RING		01
05	0503018144	RING		01
06	0503010063	1" SELF-ALIGNING NUT		01
07	0571019711	RING SUPPORT		01
08	0503010761	D-1750 SCRAPER RING		01
09	0503017936	RING		01
10	0503017938	RING GUIDE		01
11	0503017937	GASKET		01
12	0503017939	2-337 N 3006-9B O' RING		02
13	0503017940	8-337 BACK-UP RING		02
14	0571019709	DETACHABLE COVER		01
15	0503030387	PLUG		02
16	0503010002	1800 GREASE FITTING		02
17	0503010042	2-214 N 3006-9B O'RING		01



Item	Code	Description	See page	QT
01	0503018033	37 X R.7/8 UNF 90° JIC MALE CONNECTOR WITH ROTATING NUT		01
02	0581014053	1/2 BSP X 7/8 UNF JIC X 64 ADAPTER		01
03	0503016854	SAFETY VALVE		01
04	0503010045	O'RING		01
05	0581014052	1/2 BSP X 7/8 UNF JIC X 43 NIPLE		01
06	0503030387	PLUG		01



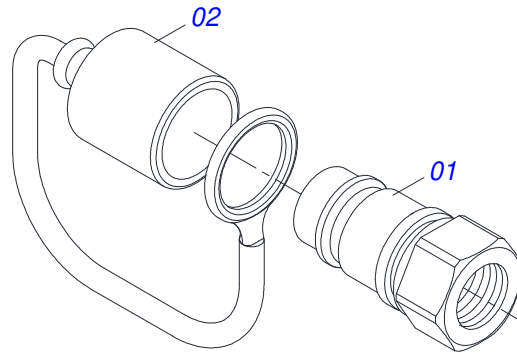
Item	Code	Description	See page	QT
01	0503010421	5/16" X 1-1/2" BOLT		04
02	0503010849	3/8" X 1-1/2" BOLT		04
03	0503011135	BOLT		03
04	0503010238	BOLT 1/2 UNC X 1.3/4 CS G.2 ZN		01
05	0501010077	1/2" X 2" BOLT		02
06	0501010100	SCREW 5/8 UNC X 2 CS G.5 ZN		06
07	0503010899	5/8 UNC X 2.1/4 BOLT		04
08	0503010233	5/8" X 2-1/2" BOLT		04
09	0503018981	BOLT		04
10	0503013378	M16 X 2 X 50 BOLT		04
11	0501010500	3/4" X 3" BOLT		01
12	0561016755	PRISONER 1 UNC X 1 UNC X 76 ZN		04
13	0501010694	FLAT WASHER		04
14	0501010984	10,50 X 27 X 3,00 FLAT WASHER		08
15	0501012140	FLAT WASHER		14
16	0501011299	FLAT WASHER		02
17	0501010322	FLAT WASHER		01
18	0503010179	LOCK WASHER 5/16 ZN 1K01528		04
19	0503010025	3/8 SPRING WASHER		04
20	0503010180	7/16" SPRING WASHER		03
21	0503010019	1/2" SPRING WASHER		01
22	0503010027	5/8 SPRING WASHER		22
23	0503010023	3/4" SPRING WASHER		05
24	0503010026	3/8" NUT		04
25	0503010337	5/16" NUT		04
26	0503010060	1/2 UNC G.5 ZN HEX NUT		01
27	0503011336	1/2" HEX SELF ADJUSTING NUT		02
28	0503010013	5/8 NUT		14
29	0503012183	SNC 3/4" ZIN 1K03097 NUT		05
30	0501010059	1.5/8 NUT		04
31	0503010044	1-1/4" SELF LOCKING NUT		08



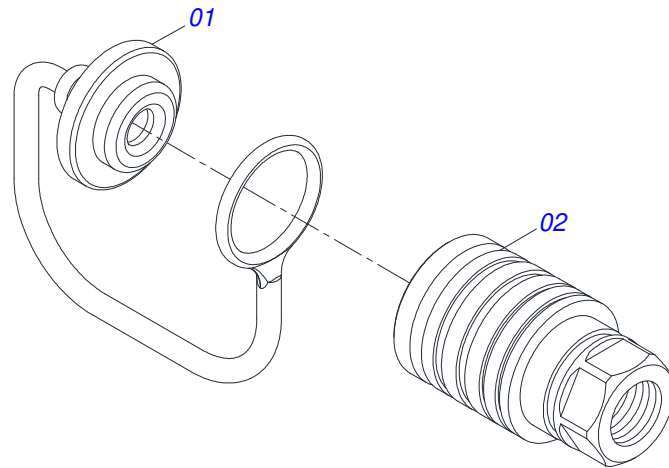
PD 600
PACKED PARTS

Page 16
0511034140

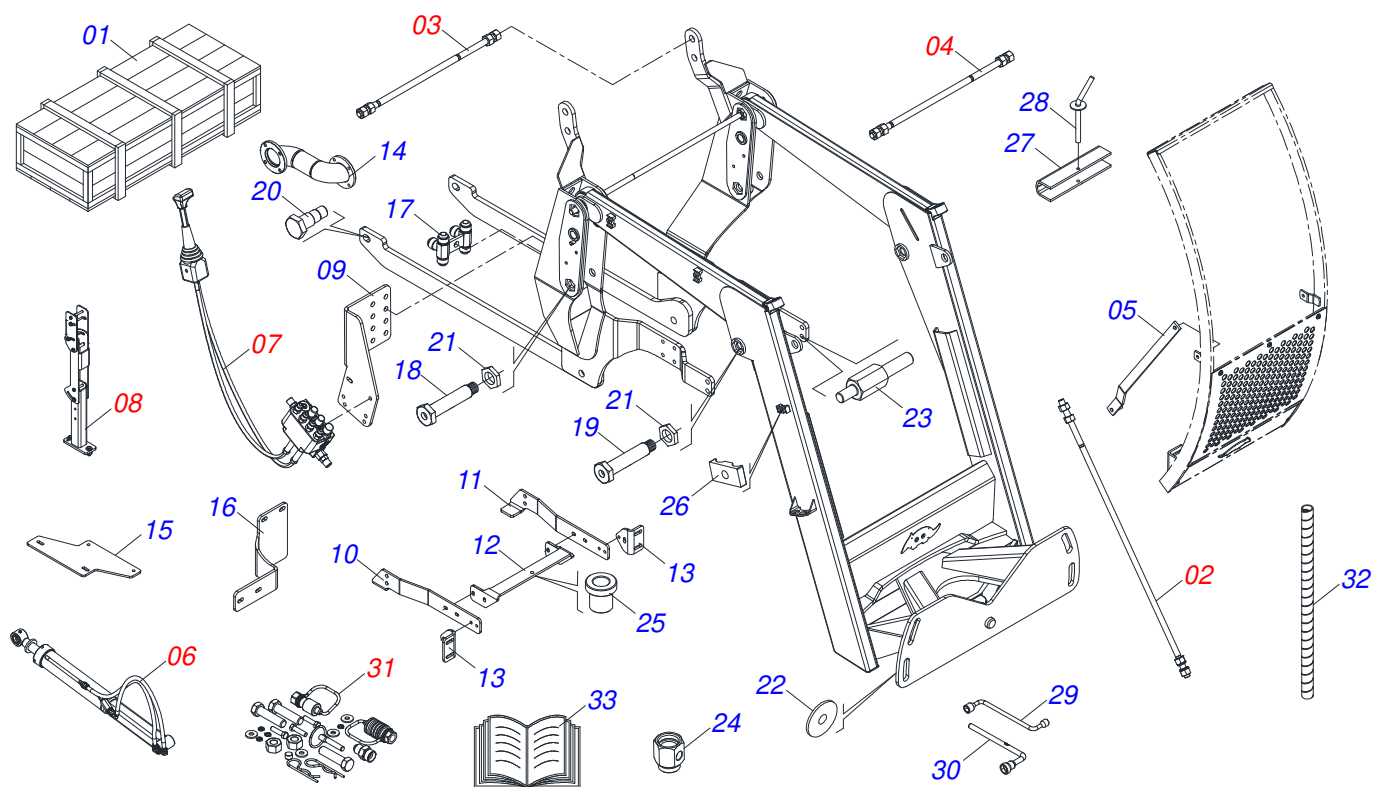
Item	Code	Description	See page	QT
32	0503010002	1800 GREASE FITTING		06
33	0501053834	MALE QUICK COUPLER	17	04
34	0501053835	FEMALE QUICK COUPLER	18	02
35	0503030168	HITCH PIN CLIP		02
36	0503010217	501040 CLAMPING RING (FOR AXLE)		04
37	0503013527	CLAMP ZIPER		10



Item	Code	Description	See page	QT
01	0503011627	MALE QUICK COUPLER AGR 1/2 NPT		01
02	0503011882	MALE QUICK COUPLER CAP		01



Item	Code	Description	See page	QT
01	0503011883	QUICK CONNECTION COVER		01
02	0503011628	FEMALE QUICK COUPLER		01



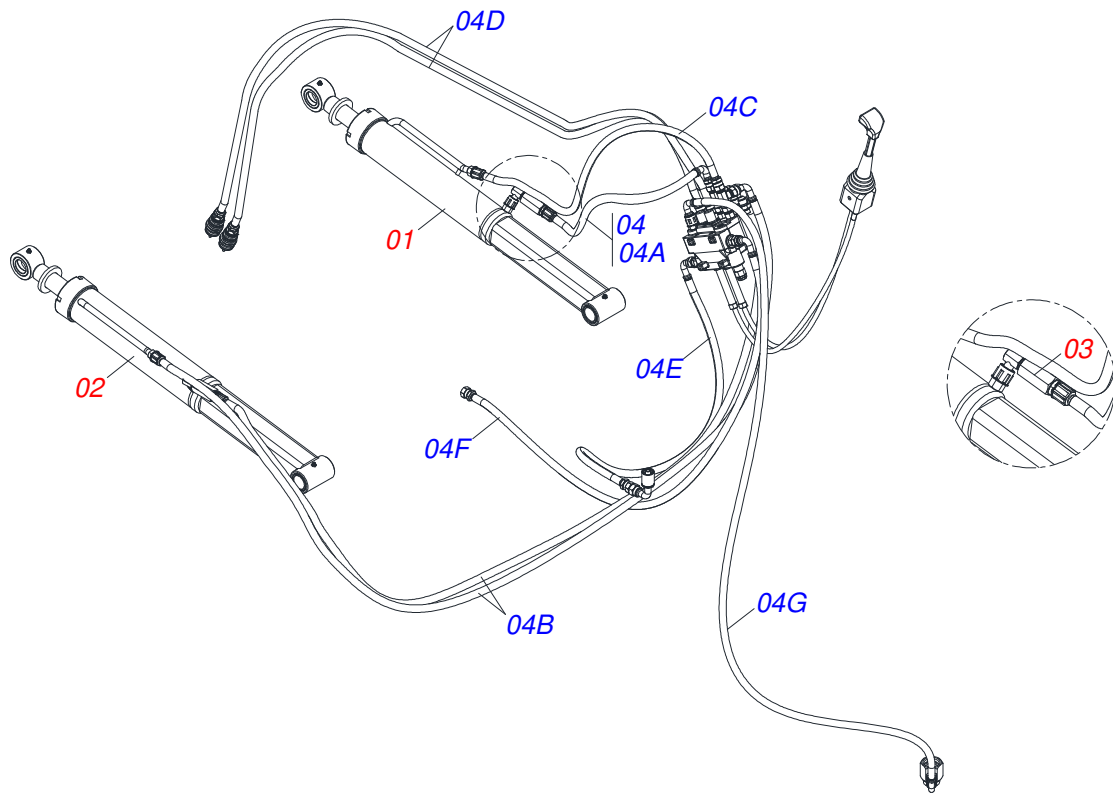
Item	Code	Description	See page	QT
01	0501100044	1700 X 700 X 500 WOODEN BOX		01
02	0521047554	ROD 1.1 / 4 NC 760 X 4 ASSY WITH NUT	9	01
03	0511044706	1.1/4 NC X 950 FULL ROD	10	01
04	0521047923	ROD	11	01
05	0591019094	SWIVELING BAR		02
06	0909096374	HYDRAULIC CIRCUIT	20	01
07	0521047176	COMMAND	21	01
08	0521045393	SET SUPPORT JOY STICK	22	01
09	0581017015	FIXER BASE		01
10	0591019095	FIXING PLATE		01
11	0591019099	FIXING PLATE		01
12	0591019096	SUPPORT BASE		01
13	0571014003	FASTENING BRACKET OF THE HIGH GUIDE		02
14	0531062211	EXHAUST PROLONGER		01
15	0591019102	TOOL BOX SUPPORT BRACKET		01
16	0591019092	OIL FILTER SUPPORT		01
17	0521064869	7/8UNF JIC OIL DISTRIBUTOR		01
18	0581013410	1.1/4" UNF X 155 BOLT		04
19	0581013378	GREASE SCREW		02
20	0571019101	1.1/4 UNF X 110 BOLT		02
21	0581010243	WASHER HEX		06
22	0501010574	FLAT WASHER		04
23	0581016773	STUD		04
24	0591018326	ADAPTER		01
25	0591019101	CALVE BRACKET		01
26	0502010477	HOSE CLAMP		03
27	0531017238	LOCK TRANSPORT		02
28	0501068994	8,30 X 78 LOCK PIN		02
29	0501068213	5/8" WRENCH DOUBLE		01
30	0501061617	1" GANG BOLT WRENCH		01
31	0511034141	PACKED PARTS	23	01



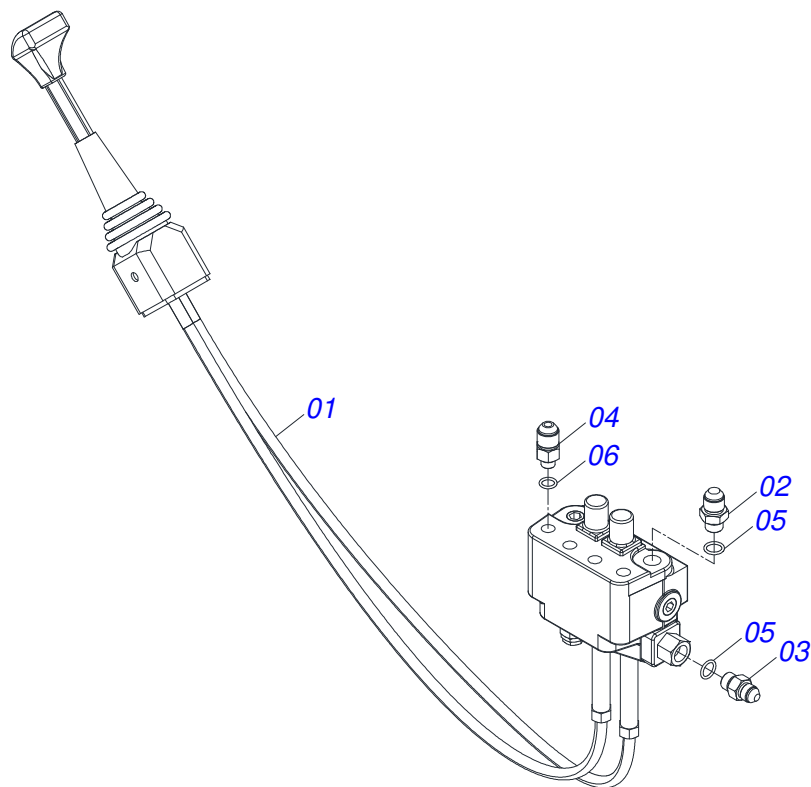
BOX WITH COMPONENTS

0521027036

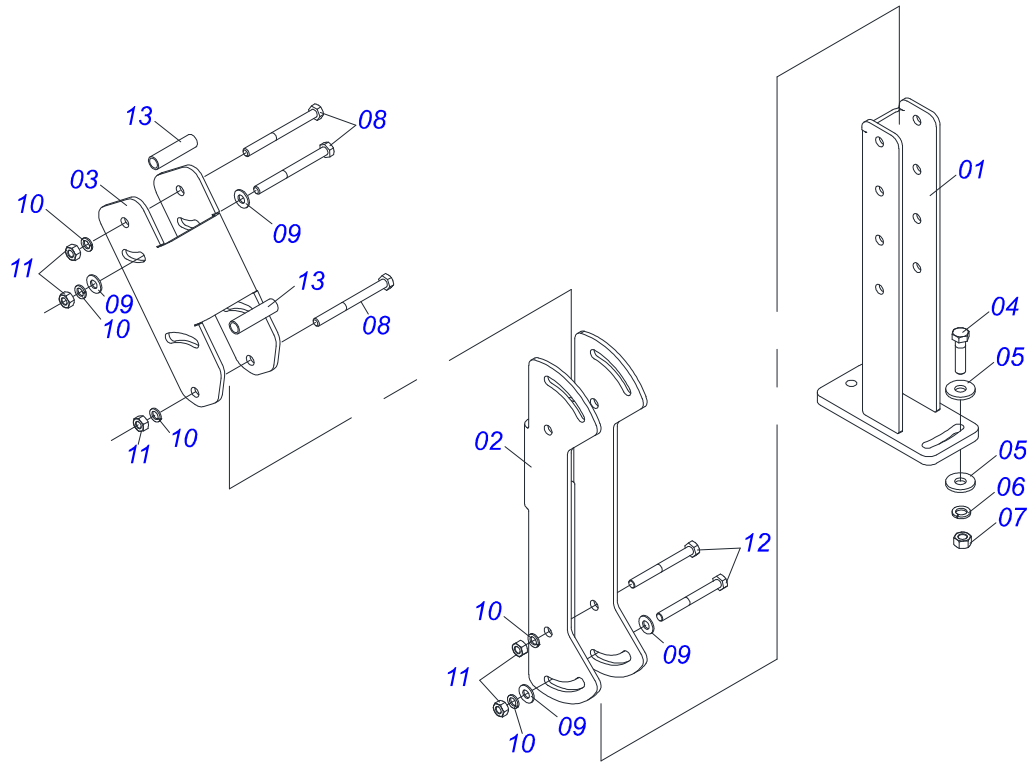
Item	Code	Description	See page	QT
32	0581010090	SPRING PROTECTION PLASTIC HOSE		02
33	0511033668	BAG WITH INSTRUCTION MANUAL		01



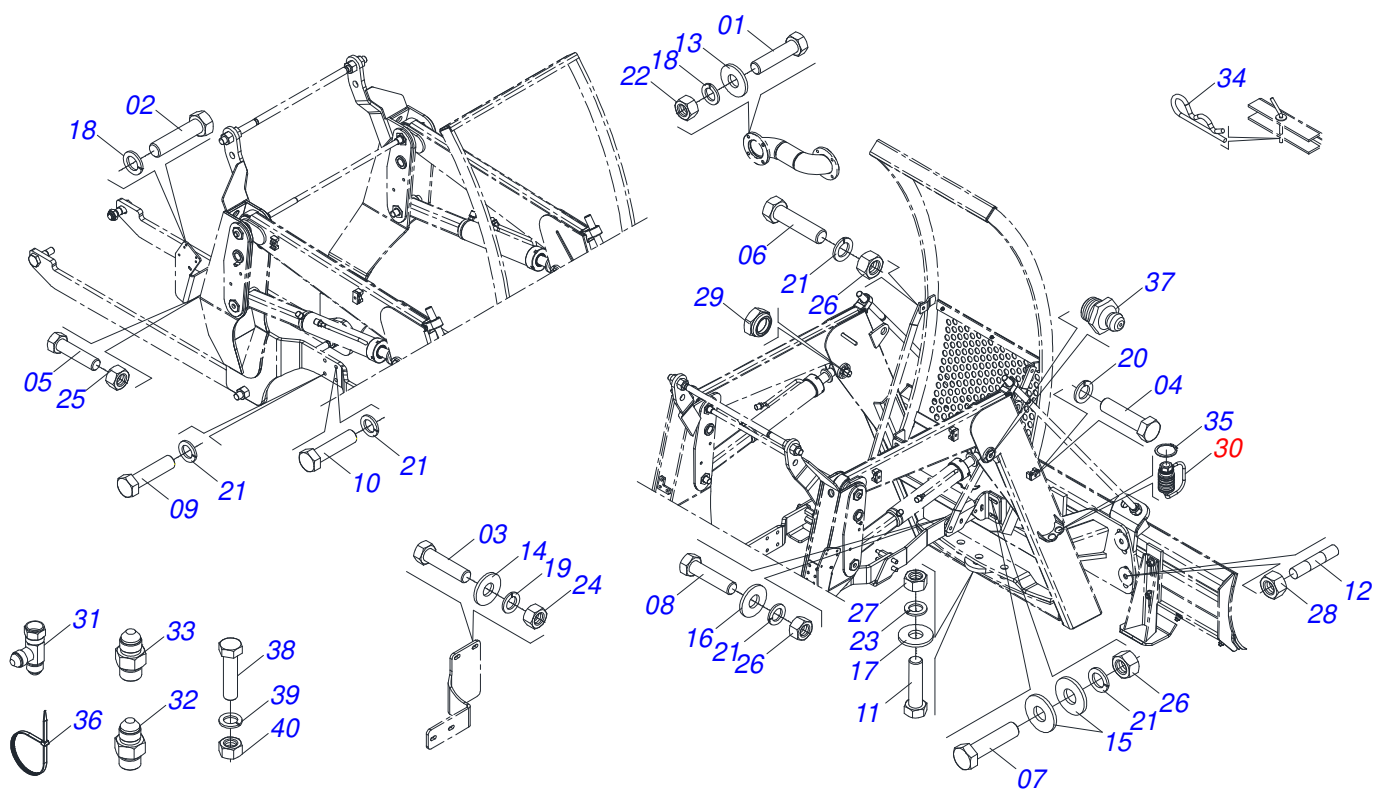
Item	Code	Description	See page	QT
01	0521049955	HIDRAULIC CYLINDER	14	01
02	0521049956	HIDRAULIC CYLINDER	13	01
03	0511057771	R.7/8UNF - SAFETY VALVE	15	02
04	0531051866	HOSE KIT		01
04A	0501080123	1/2 X 800 TR-TC HOSE ASSY		01
04B	0501080010	1/2 X 1000 TR-TC HOSE		02
04C	0501080014	1/2 X 1000 TR-TR HOSE		01
04D	0501080076	1/2" X 2500 TR-TM HOSE ASSY		02
04E	0501081604	1/2 X 3350 TC-TC HOSE		01
04F	0501080085	HOSE 1/2 X 3600 TR-TC		01
04G	0501080938	1/2 X 3800 TC-TC HOSE		01



Item	Code	Description	See page	QT
01	0503062412	COMPLETE JOYSTICK CONTROL		01
02	0501011460	7/8 NF REDUCTION NIPPLE		01
03	0501010617	3/4" NIPPLE		02
04	0581013379	R. 7/8 X 9/16 X 50 (SEXT 22,23) NIPPLE		04
05	0503012905	2113 O'RING		03
06	0503013161	2-013 N 3006-9B O'RING		04



Item	Code	Description	See page	QT
01	0521065789	LOWER JOYSTICK SUPPORT		01
02	0571018376	CENTRAL BODY SUPPLEMENT OF JOYSTICK		01
03	0571018375	SUPERIOR BODY SUPPLEMENT OF JOYSTICK		01
04	0503010849	3/8" X 1-1/2" BOLT		02
05	0501010984	10,50 X 27 X 3,00 FLAT WASHER		02
06	0503010025	3/8 SPRING WASHER		02
07	0503010026	3/8" NUT		02
08	0503010848	5/16" X 3.1/2" BOLT		04
09	0501010694	FLAT WASHER		06
10	0503010179	LOCK WASHER 5/16 ZN 1K01528		06
11	0503010337	5/16" NUT		06
12	0503011053	5/16" X 3" C S 6.5 ZN BOLT		02
13	0541015551	0.39" X 0.512" X 1.9" SLEEVE		02



Item	Code	Description	See page	QT
01	0503010421	5/16" X 1-1/2" BOLT		04
02	0503016506	5/16 UNC X 3/4 C S G.5 ZN BOLT		04
03	0503010849	3/8" X 1-1/2" BOLT		04
04	0503011135	BOLT		03
05	0501010077	1/2" X 2" BOLT		02
06	0501010100	SCREW 5/8 UNC X 2 CS G.5 ZN		06
07	0503010899	5/8 UNC X 2.1/4 BOLT		04
08	0503010233	5/8" X 2-1/2" BOLT		04
09	0503018981	BOLT		04
10	0503013378	M16 X 2 X 50 BOLT		04
11	0501010500	3/4" X 3" BOLT		01
12	0561016755	PRISONER 1 UNC X 1 UNC X 76 ZN		04
13	0501010694	FLAT WASHER		05
14	0501010984	10,50 X 27 X 3,00 FLAT WASHER		08
15	0501012140	FLAT WASHER		14
16	0501011299	FLAT WASHER		02
17	0501010322	FLAT WASHER		01
18	0503010179	LOCK WASHER 5/16 ZN 1K01528		08
19	0503010025	3/8 SPRING WASHER		04
20	0503010180	7/16" SPRING WASHER		03
21	0503010027	5/8 SPRING WASHER		22
22	0503010337	5/16" NUT		04
23	0503010023	3/4" SPRING WASHER		05
24	0503010026	3/8" NUT		04
25	0503011336	1/2" HEX SELF ADJUSTING NUT		02
26	0503010013	5/8 NUT		14
27	0503012183	SNC 3/4" ZIN 1K03097 NUT		05
28	0501010059	1.5/8 NUT		04
29	0503010044	1-1/4" SELF LOCKING NUT		08
30	0501053835	FEMALE QUICK COUPLER	18	02
31	0503062177	7/8 (V.C) T-ADAPTER WITH NUT		02



PD 600
PACKED PARTS

Page 23
0511034141

Item	Code	Description	See page	QT
32	0501011460	7/8 NF REDUCTION NIPPLE		02
33	0503034526	NIPPLE UNION		01
34	0503030168	HITCH PIN CLIP		02
35	0503010217	501040 CLAMPING RING (FOR AXLE)		04
36	0503013527	CLAMP ZIPER		10
37	0503010002	1800 GREASE FITTING		06
38	0503017866	3/16" X 1,1/2" BOLT		01
39	0503010668	3/16" SPRING WASHER		01
40	0503010667	3/16" NUT		01



MARCHESAN

Technical Publications | Elaboration and Revision

LORENA ROCHA ALVES

www.marchesan.com.br

