

AUXILIARY PRODUCTS

PTLH 2300/2500/3000

Code: 0501093533
Series: S-0123
Revision: 00
Date Revision: JULHO/2023

PARTS CATALOGUE



MARCHESAN



PRODUCTS

| Code | Description |
|-------------|----------------------|
| 0106060074 | PTLH 2300 DEH S-0123 |
| 0106060071 | PTLH 2300 DEM S-0123 |
| 0106060075 | PTLH 2500 DEH S-0123 |
| 0106060072 | PTLH 2500 DEM S-0123 |
| 0106060076 | PTLH 3000 DEH S-0123 |
| 0106060073 | PTLH 3000 DEM S-0123 |

ATTENTION: IMPORTANT

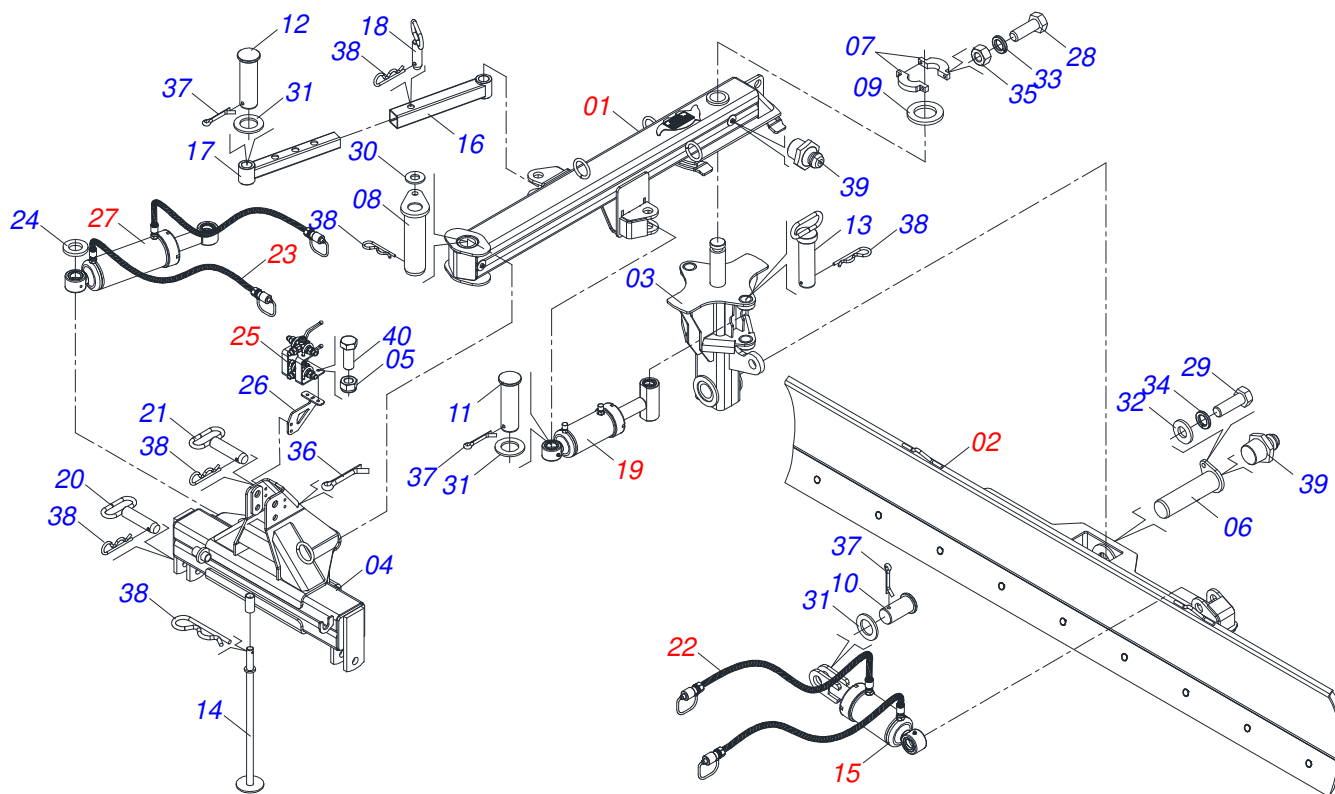
Marchesan S.A. reserves the right to improve and/or modify the technical features of its products, without obligation to do the same with those products already sold and without prior knowledge of the dealer or the customer. The photos are only illustrative.



INDEX

| | | | |
|------------|--|-------|----|
| 0909096783 | ASSY FRAME | | 1 |
| 0531045083 | (DEM/DEH) - MAIN BEAM | | 2 |
| 0541050161 | 2300 - CRAPER SUPPORT | | 3 |
| 0541050159 | 2500 - CRAPER SUPPORT | | 4 |
| 0541050157 | 3000 - CRAPER SUPPORT | | 5 |
| 0541050223 | 2 X 4 X 77,5 HYDRAULIC CYLINDER | | 6 |
| 0541050233 | 2 X 4 X 106 HYDRAULIC CYLINDER | | 7 |
| 0541050236 | HOSE SET - (DEM) | | 8 |
| 0541050235 | HOSE SET - (DEH) | | 9 |
| 0541050234 | ASSEMBLY OF THE OUTLET REGISTRY FOR HOSE | | 10 |
| 0531045091 | 2 X 4 X 179, HYDRAULIC CYLINDER | | 11 |

ASSY FRAME



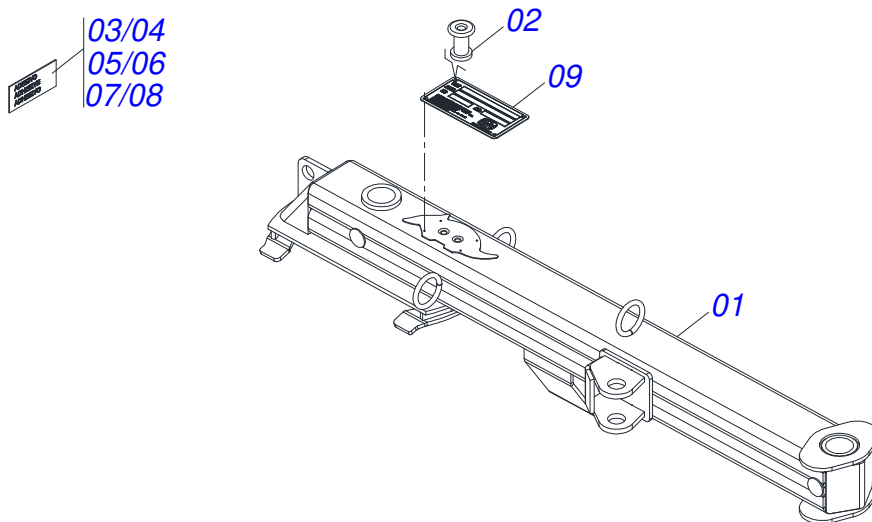
| Item | Code | Description | See page | 2300M | 2300H | 2500M | 2500H | 3000M | 3000H |
|------|------------|---|----------|-------|-------|-------|-------|-------|-------|
| 01 | 0531045083 | (DEM/DEH) - MAIN BEAM | 2 | 01 | 01 | 01 | 01 | 01 | 01 |
| 02 | 0541050161 | 2300 - CRAPER SUPPORT | 3 | 01 | 01 | 00 | 00 | 00 | 00 |
| 02. | 0541050159 | 2500 - CRAPER SUPPORT | 4 | 00 | 00 | 01 | 01 | 00 | 00 |
| 02.. | 0541050157 | 3000 - CRAPER SUPPORT | 5 | 00 | 00 | 00 | 00 | 01 | 01 |
| 03 | 0531066227 | SWIVELING CENTRAL TUBE | | 01 | 01 | 01 | 01 | 01 | 01 |
| 04 | 0531066223 | FRONT FRAME | | 01 | 01 | 01 | 01 | 01 | 01 |
| 05 | 0503013357 | 3/8 SELF-ADJUSTING NUT | | 00 | 04 | 00 | 04 | 00 | 04 |
| 06 | 0531066229 | 59 X 212 JUNCTION AXLE | | 01 | 01 | 01 | 01 | 01 | 01 |
| 07 | 0501311902 | CENTRAL TUBE FIXING CLAMP | | 02 | 02 | 02 | 02 | 02 | 02 |
| 08 | 0531066230 | JUNCTION AXLE | | 01 | 01 | 01 | 01 | 01 | 01 |
| 09 | 0501311855 | WASHER | | 01 | 01 | 01 | 01 | 01 | 01 |
| 10 | 0501311905 | JUNCTION AXLE | | 01 | 01 | 01 | 01 | 01 | 01 |
| 11 | 0501311906 | JUNCTION AXLE | | 02 | 02 | 02 | 02 | 02 | 02 |
| 12 | 0501311907 | JUNCTION AXLE | | 02 | 02 | 02 | 02 | 02 | 02 |
| 13 | 0531066231 | JUNCTION AXLE | | 01 | 01 | 01 | 01 | 01 | 01 |
| 14 | 0531066232 | SUPPORT BASE | | 01 | 01 | 01 | 01 | 01 | 01 |
| 15 | 0541050223 | 2 X 4 X 77,5 HYDRAULIC CYLINDER | 6 | 01 | 01 | 01 | 01 | 01 | 01 |
| 16 | 0531066235 | (DEM) - TELESCOPIC TUBE WITH BUSHING | | 01 | 00 | 01 | 00 | 01 | 00 |
| 17 | 0531066228 | (DEM) - TELESCOPIC TUBE WITH BUSHING | | 01 | 00 | 01 | 00 | 01 | 00 |
| 18 | 0531066312 | JUNCTION AXLE | | 01 | 00 | 01 | 00 | 01 | 00 |
| 19 | 0541050233 | 2 X 4 X 106 HYDRAULIC CYLINDER | 7 | 01 | 01 | 01 | 01 | 01 | 01 |
| 20 | 0531066233 | 27,8 X 110 JUNCTION AXLE | | 02 | 02 | 02 | 02 | 02 | 02 |
| 21 | 0531066234 | 25 X 132 JUNCTION AXLE | | 01 | 01 | 01 | 01 | 01 | 01 |
| 22 | 0541050236 | HOSE SET - (DEM) | 8 | 01 | 00 | 01 | 00 | 01 | 00 |
| 23 | 0541050235 | HOSE SET - (DEH) | 9 | 00 | 01 | 00 | 01 | 00 | 01 |
| 24 | 0501311913 | 40 X 72 X 9,5 WASHER | | 00 | 04 | 00 | 04 | 00 | 04 |
| 25 | 0541050234 | ASSEMBLY OF THE OUTLET REGISTRY FOR 10 HOSE | | 00 | 01 | 00 | 01 | 00 | 01 |
| 26 | 0511072121 | REGISTRATION BRACKET FIXING BRACKET | | 00 | 01 | 00 | 01 | 00 | 01 |
| 27 | 0531045091 | 2 X 4 X 179, HYDRAULIC CYLINDER | 11 | 00 | 01 | 00 | 01 | 00 | 01 |
| 28 | 0503010397 | 5/16" X 1-3/4" BOLT | | 02 | 02 | 02 | 02 | 02 | 02 |
| 29 | 0503010920 | 1/2 UNC X 1.1/2 C S G.5 ZN BOLT | | 01 | 01 | 01 | 01 | 01 | 01 |



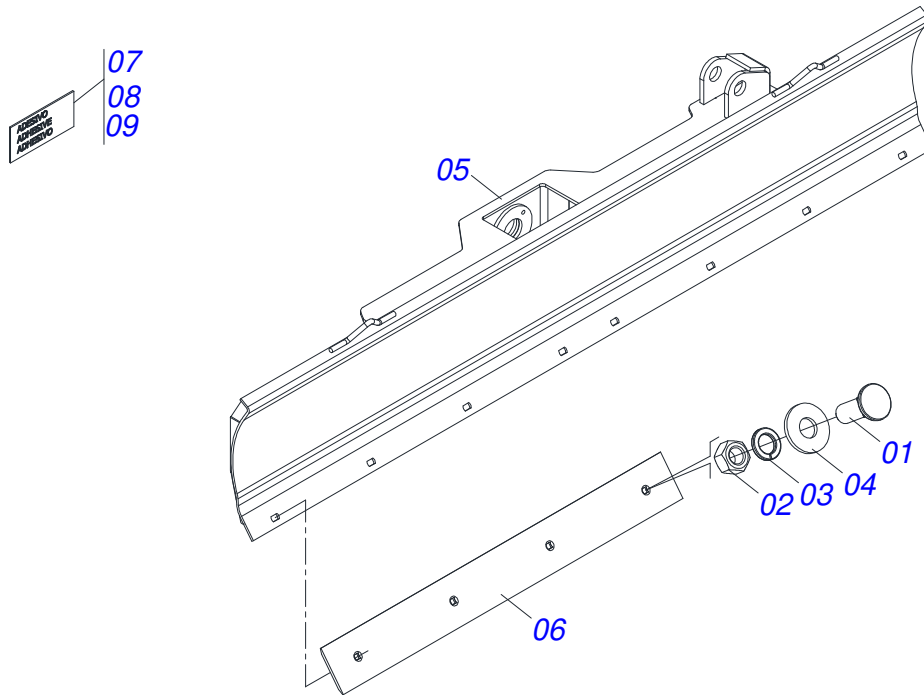
ASSY FRAME

0909096783

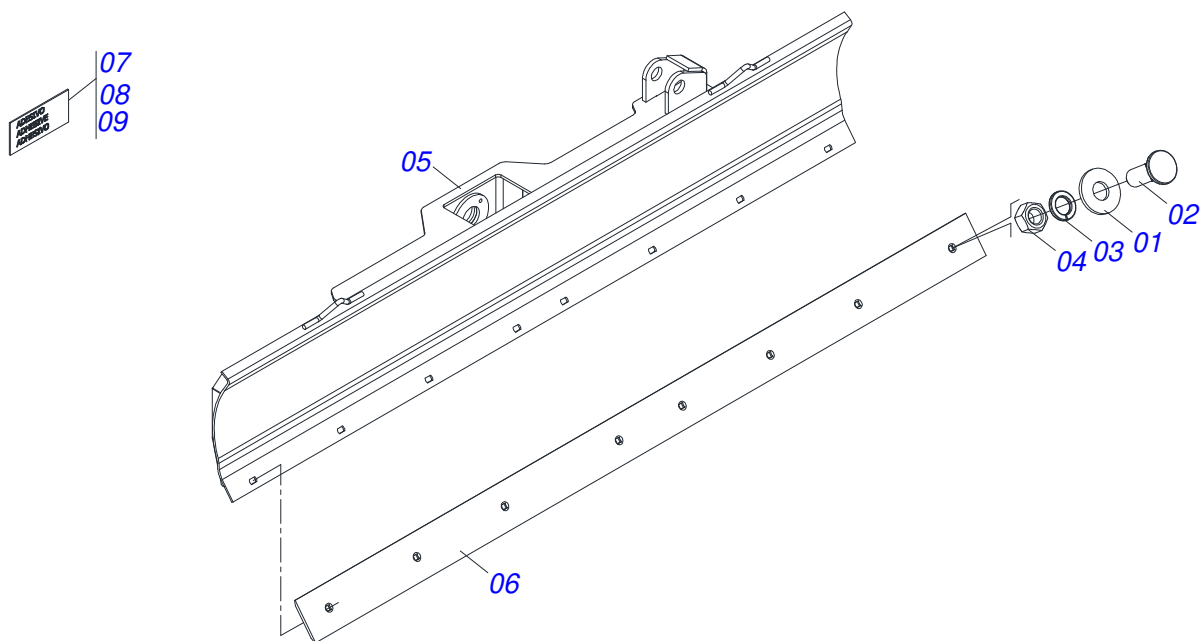
| Item | Code | Description | See page | 2300M | 2300H | 2500M | 2500H | 3000M |
|------|------------|-------------------------------|----------|-------|-------|-------|-------|-------|
| 30 | 0591011409 | FLAT WASHER 16,5 X 35 X 3,00 | | 01 | 01 | 01 | 01 | 01 |
| 31 | 0501012916 | FLAT WASHER 40 X 66 X 4,75 ZN | | 05 | 05 | 05 | 05 | 05 |
| 32 | 0501010937 | 13,50 X 28 X 3,00 FLAT WASHER | | 01 | 01 | 01 | 01 | 01 |
| 33 | 0503010179 | LOCK WASHER 5/16 ZN 1K01528 | | 02 | 02 | 02 | 02 | 02 |
| 34 | 0503010019 | 1/2" SPRING WASHER | | 01 | 01 | 01 | 01 | 01 |
| 35 | 0503010337 | 5/16" NUT | | 02 | 02 | 02 | 02 | 02 |
| 36 | 0503010300 | 5/32" X 1" COTTERPIN | | 01 | 01 | 01 | 01 | 01 |
| 37 | 0503012267 | 5/16" X 3" COTTER PIN | | 06 | 05 | 06 | 05 | 05 |
| 38 | 0503031035 | HITCH PIN CLIP | | 06 | 05 | 06 | 05 | 05 |
| 39 | 0503010002 | 1800 GREASE FITTING | | 03 | 03 | 03 | 03 | 03 |
| 40 | 0503010237 | 3/8" X 1" BOLT | | 00 | 04 | 00 | 04 | 04 |



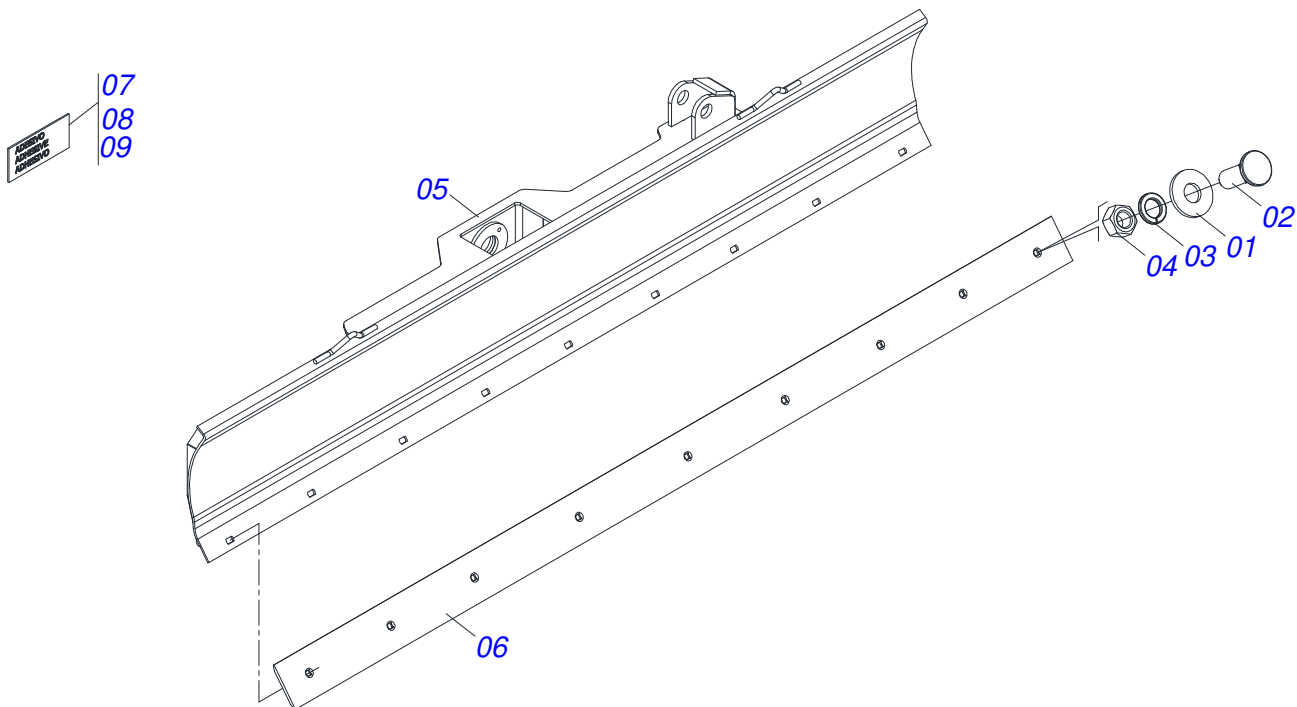
| Item | Code | Description | See page | QT |
|------|------------|---|----------|----|
| 01 | 0531066224 | MAIN BEAM | | 01 |
| 02 | 0503010001 | 3.2 X 5.5 RIVET | | 04 |
| 03 | 0503031087 | ADHESIVE LABEL | | 01 |
| 04 | 0503034078 | LIFTING POINTS DECAL | | 01 |
| 05 | 0503031852 | ADHESIVE LABEL | | 01 |
| 06 | 0503036239 | ADHESIVE LABEL ATTENTION FLUIDS WITH PRESSURE | | 01 |
| 07 | 0503033428 | ADHESIVE LABEL | | 01 |
| 08 | 0503060910 | ADHESIVE LABEL ASSY | | 01 |
| 09 | 0503034003 | SERIAL NUMBER TAG 61 X 118 | | 01 |



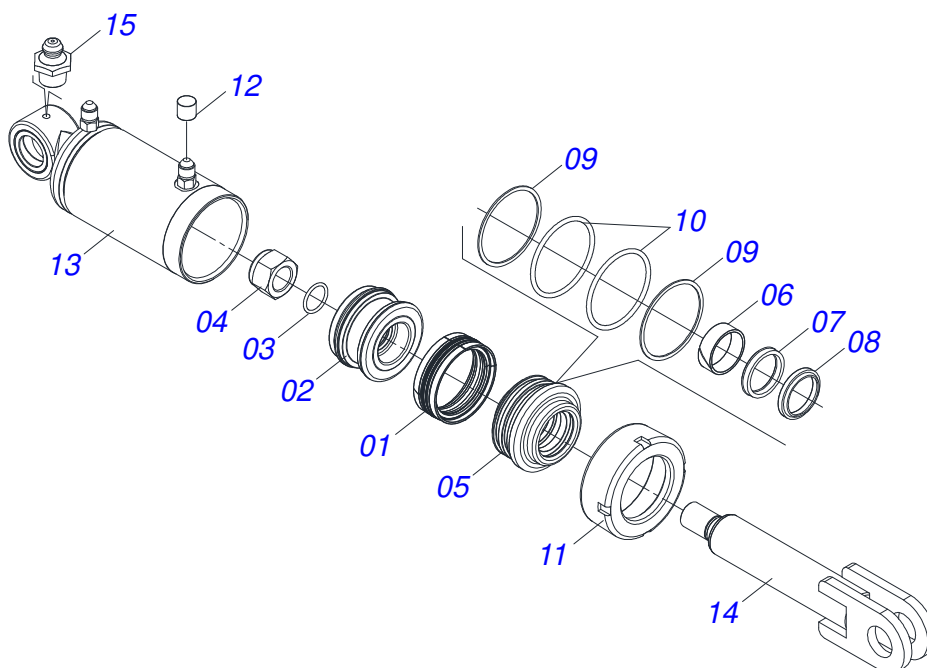
| Item | Code | Description | See page | QT |
|------|------------|--|----------|----|
| 01 | 0503012956 | 1/2" X 1-1/2" BOLT | | 08 |
| 02 | 0503012682 | 1/2" BSW NUT | | 08 |
| 03 | 0503011440 | SPRING WASHER | | 08 |
| 04 | 0511017302 | FLAT WASHER 13,50 X 32,50 X 3,0 ZN | | 08 |
| 05 | 0531066205 | 2300 - CRAPER SUPPORT | | 01 |
| 06 | 0501311740 | CRAPER | | 02 |
| 07 | 0503036275 | ADHESIVE LABEL SAFETY CAUTION MOVING PARTS | | 01 |
| 08 | 0503031087 | ADHESIVE LABEL | | 01 |
| 09 | 0503034078 | LIFTING POINTS DECAL | | 02 |



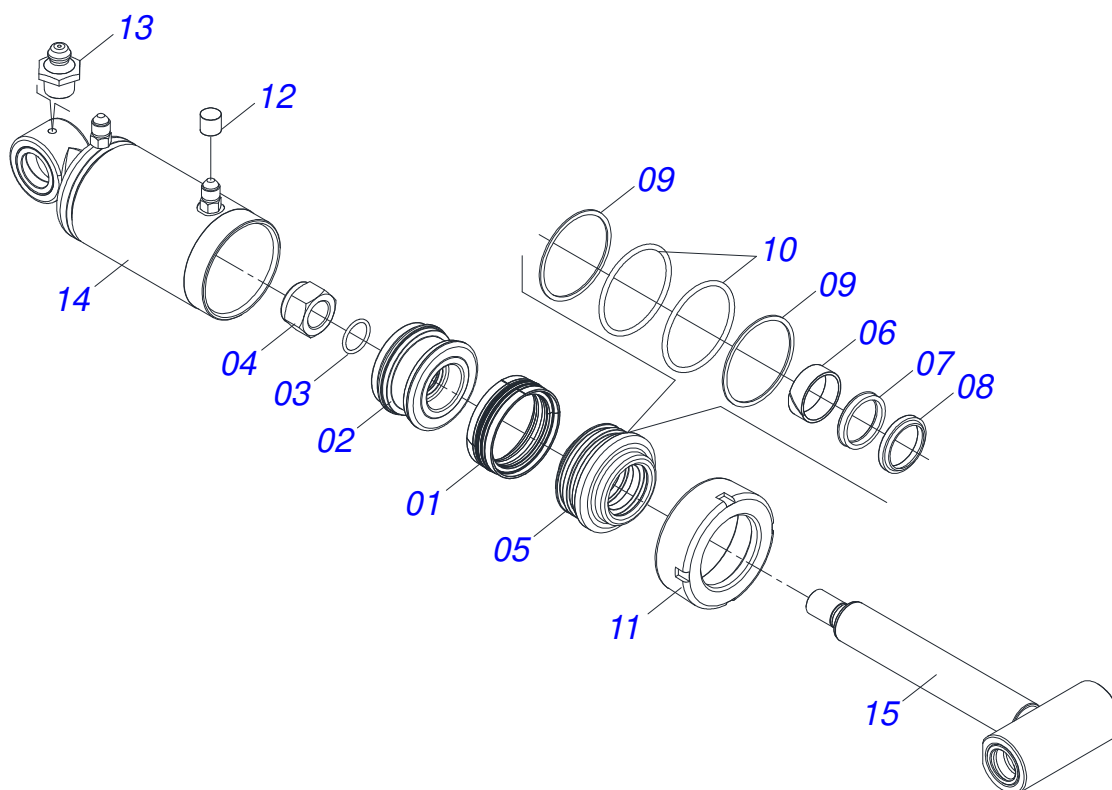
| Item | Code | Description | See page | QT |
|------|------------|--|----------|----|
| 01 | 0501012140 | FLAT WASHER | | 08 |
| 02 | 0501012239 | 5/8" X 1.3/4" BOLT | | 08 |
| 03 | 0503010027 | 5/8 SPRING WASHER | | 08 |
| 04 | 0503010013 | 5/8 NUT | | 08 |
| 05 | 0531066204 | 2500 - CRAPER SUPPORT | | 01 |
| 06 | 0622360022 | SCRAPER REVERSIBLE 2500 | | 01 |
| 07 | 0503034078 | LIFTING POINTS DECAL | | 02 |
| 08 | 0503031087 | ADHESIVE LABEL | | 01 |
| 09 | 0503036275 | ADHESIVE LABEL SAFETY CAUTION MOVING PARTS | | 01 |



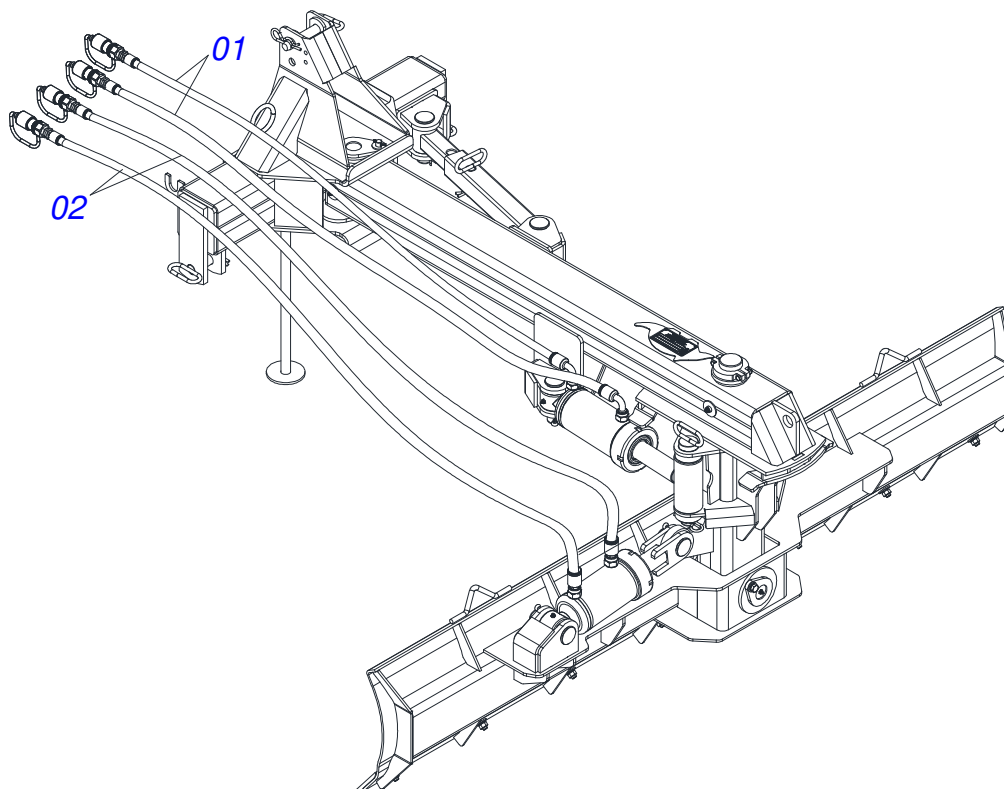
| Item | Code | Description | See page | QT |
|------|------------|--|----------|----|
| 01 | 0501012140 | FLAT WASHER | | 09 |
| 02 | 0501012239 | 5/8" X 1.3/4" BOLT | | 09 |
| 03 | 0503010027 | 5/8 SPRING WASHER | | 09 |
| 04 | 0503010013 | 5/8 NUT | | 09 |
| 05 | 0531066201 | 3000 - CRAPER SUPPORT | | 01 |
| 06 | 0501311722 | CRAPER | | 01 |
| 07 | 0503036275 | ADHESIVE LABEL SAFETY CAUTION MOVING PARTS | | 01 |
| 08 | 0503031087 | ADHESIVE LABEL | | 01 |
| 09 | 0503034078 | LIFTING POINTS DECAL | | 02 |



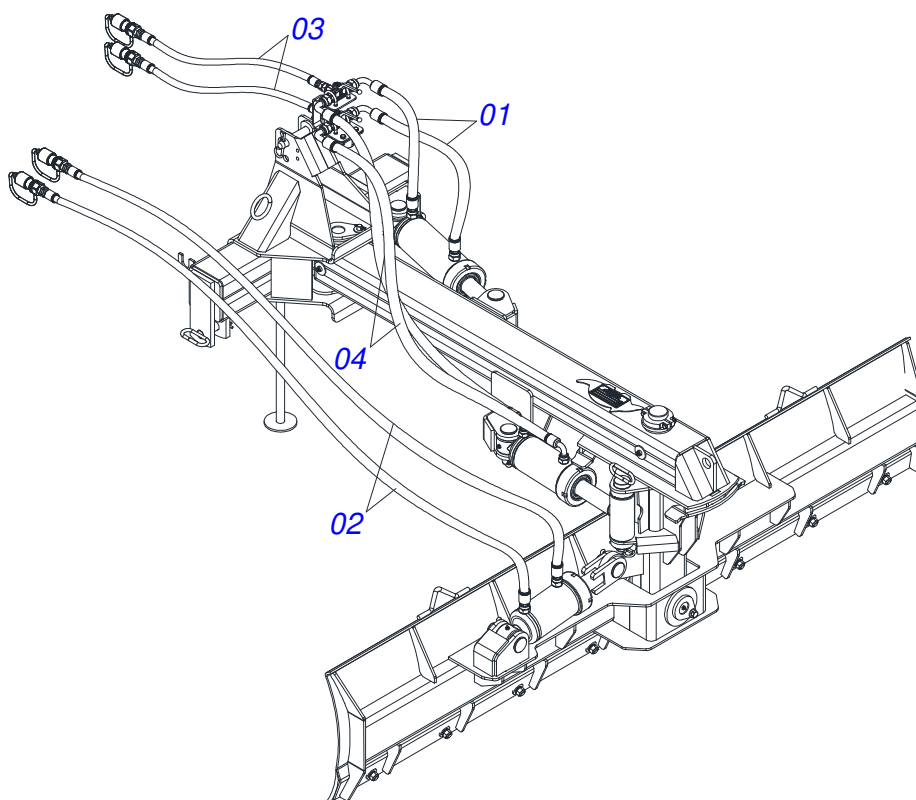
| Item | Code | Description | See page | QT |
|------|------------|-------------------------------|----------|----|
| 01 | 0503015633 | SELEMASTER SEALING | | 01 |
| 02 | 0502012842 | 50,80 X 101,60 PISTON | | 01 |
| 03 | 0503010345 | 2-218 N 3006-9B O'RING | | 01 |
| 04 | 0503010817 | 1.1/4" SELF LOCKING NUT | | 01 |
| 05 | 0581010678 | 50,80 X 101 RING SUPPORT | | 01 |
| 06 | 0503018025 | RING GUIDE | | 01 |
| 07 | 0503018026 | 1870-2000-375 B GASKET | | 01 |
| 08 | 0503015636 | SCRAPER SEAL | | 01 |
| 09 | 0503011061 | 8-342 BACK-UP RING | | 02 |
| 10 | 0503010338 | 2-342 N 3006-9B O'RING | | 02 |
| 11 | 0502012822 | 101.60 END CAP | | 01 |
| 12 | 0503030385 | CYLINDER PLUG N-002 | | 02 |
| 13 | 0531066375 | 101,6 X 274,5 CYLINDER BARREL | | 01 |
| 14 | 0531065684 | 50,8 X 365 CYLINDER EXTENDER | | 01 |
| 15 | 0503010002 | 1800 GREASE FITTING | | 01 |



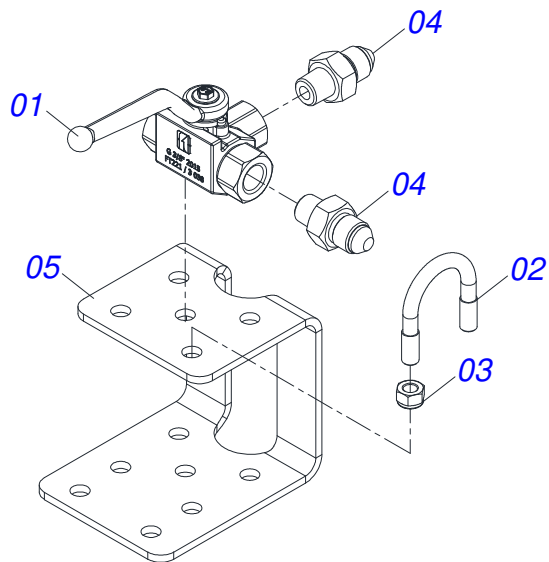
| Item | Code | Description | See page | QT |
|------|------------|-------------------------------|----------|----|
| 01 | 0503015633 | SELEMASTER SEALING | | 01 |
| 02 | 0502012842 | 50,80 X 101,60 PISTON | | 01 |
| 03 | 0503010345 | 2-218 N 3006-9B O'RING | | 01 |
| 04 | 0503010817 | 1.1/4" SELF LOCKING NUT | | 01 |
| 05 | 0581010678 | 50,80 X 101 RING SUPPORT | | 01 |
| 06 | 0503018025 | RING GUIDE | | 01 |
| 07 | 0503018026 | 1870-2000-375 B GASKET | | 01 |
| 08 | 0503015636 | SCRAPER SEAL | | 01 |
| 09 | 0503011061 | 8-342 BACK-UP RING | | 02 |
| 10 | 0503010338 | 2-342 N 3006-9B O'RING | | 02 |
| 11 | 0502012822 | 101.60 END CAP | | 01 |
| 12 | 0503030385 | CYLINDER PLUG N-002 | | 02 |
| 13 | 0503010002 | 1800 GREASE FITTING | | 02 |
| 14 | 0531066374 | 101,6 X 304 CYLINDER BARREL | | 01 |
| 15 | 0531065880 | 50,80 X 386 CYLINDER EXTENDER | | 01 |



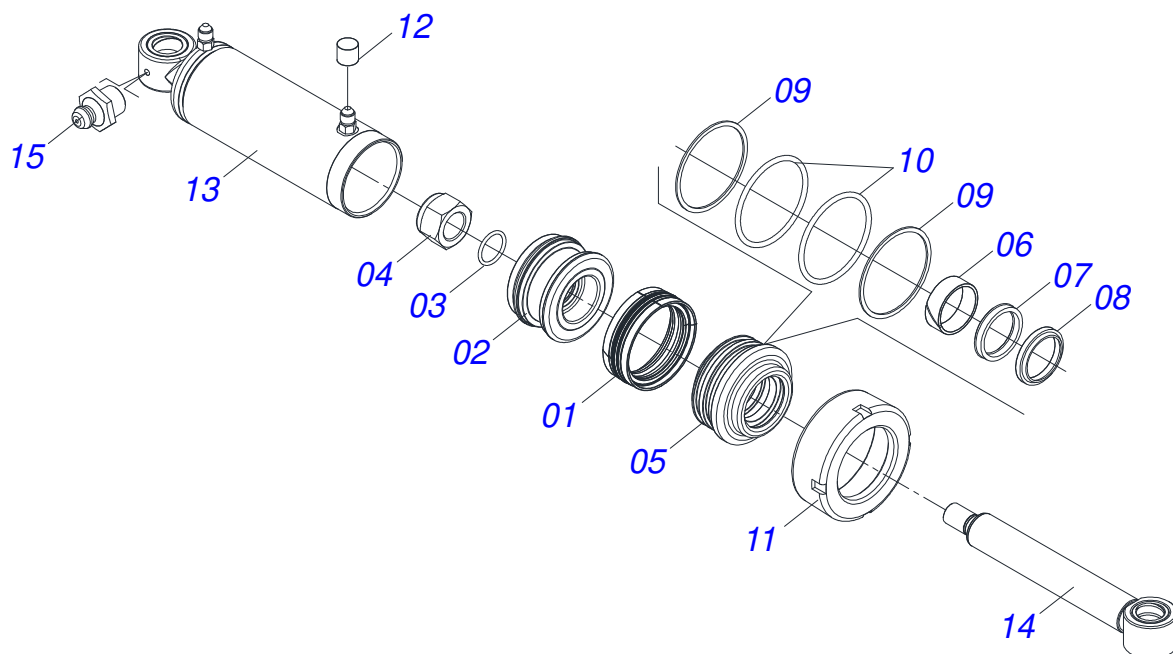
| Item | Code | Description | See page | QT |
|------|------------|------------------------|----------|----|
| 01 | 0501080553 | 3/8" X 3200 TC-TM HOSE | | 02 |
| 02 | 0501080528 | 3/8 X 3700 TR-TM HOSE | | 02 |



| Item | Code | Description | See page | QT |
|------|------------|----------------------------|----------|----|
| 01 | 0501080124 | HOSE 3/8 X 900 TR-TC | | 02 |
| 02 | 0501080528 | 3/8 X 3700 TR-TM HOSE | | 02 |
| 03 | 0501080371 | 3/8" X 55" TR-TM HOSE ASSY | | 02 |
| 04 | 0501080514 | 3/8 X 1700 TC-TC HOSE | | 02 |



| Item | Code | Description | See page | QT |
|------|------------|---------------------------|----------|----|
| 01 | 0503016612 | VALVE | | 02 |
| 02 | 0551019884 | 45 X 50 X 3/8 FASTENER | | 04 |
| 03 | 0503013357 | 3/8 SELF-ADJUSTING NUT | | 08 |
| 04 | 0571013798 | 3/4" UNF X 3/8 NPT NIPPLE | | 06 |
| 05 | 0501312186 | REGISTRATION SUPPORT | | 01 |



| Item | Code | Description | See page | QT |
|------|------------|---------------------------------|----------|----|
| 01 | 0503015633 | SELEMASTER SEALING | | 01 |
| 02 | 0502012842 | 50,80 X 101,60 PISTON | | 01 |
| 03 | 0503010345 | 2-218 N 3006-9B O'RING | | 01 |
| 04 | 0503010817 | 1.1/4" SELF LOCKING NUT | | 01 |
| 05 | 0581010678 | 50,80 X 101 RING SUPPORT | | 01 |
| 06 | 0503018025 | RING GUIDE | | 01 |
| 07 | 0503018026 | 1870-2000-375 B GASKET | | 01 |
| 08 | 0503015636 | SCRAPER SEAL | | 01 |
| 09 | 0503011061 | 8-342 BACK-UP RING | | 02 |
| 10 | 0503010338 | 2-342 N 3006-9B O'RING | | 02 |
| 11 | 0502012822 | 101.60 END CAP | | 01 |
| 12 | 0503030385 | CYLINDER PLUG N-002 | | 02 |
| 13 | 0531066236 | 101,6 X 377,5 CYLINDER BARREL | | 01 |
| 14 | 0531066378 | 50,80 X 390,5 CYLINDER EXTENDER | | 01 |
| 15 | 0503010002 | 1800 GREASE FITTING | | 02 |



MARCHESAN

Technical Publications | Elaboration and Revision

LORENA ROCHA ALVES

www.marchesan.com.br

