

**AUXILIARY PRODUCTS**

## **PTH 1500/1800**

**Code:** 0501093532  
**Series:** S-0123  
**Revision:** 00  
**Date Revision:** JULHO/2023

# **PARTS CATALOGUE**



**MARCHESAN**



# PRODUCTS

<b>Code</b>	<b>Description</b>
0106060069	PTH 1500 DEH S-0123
0106060067	PTH 1500 DEM S-0123
0106060070	PTH 1800 DEH S-0123
0106060068	PTH 1800 DEM S-0123

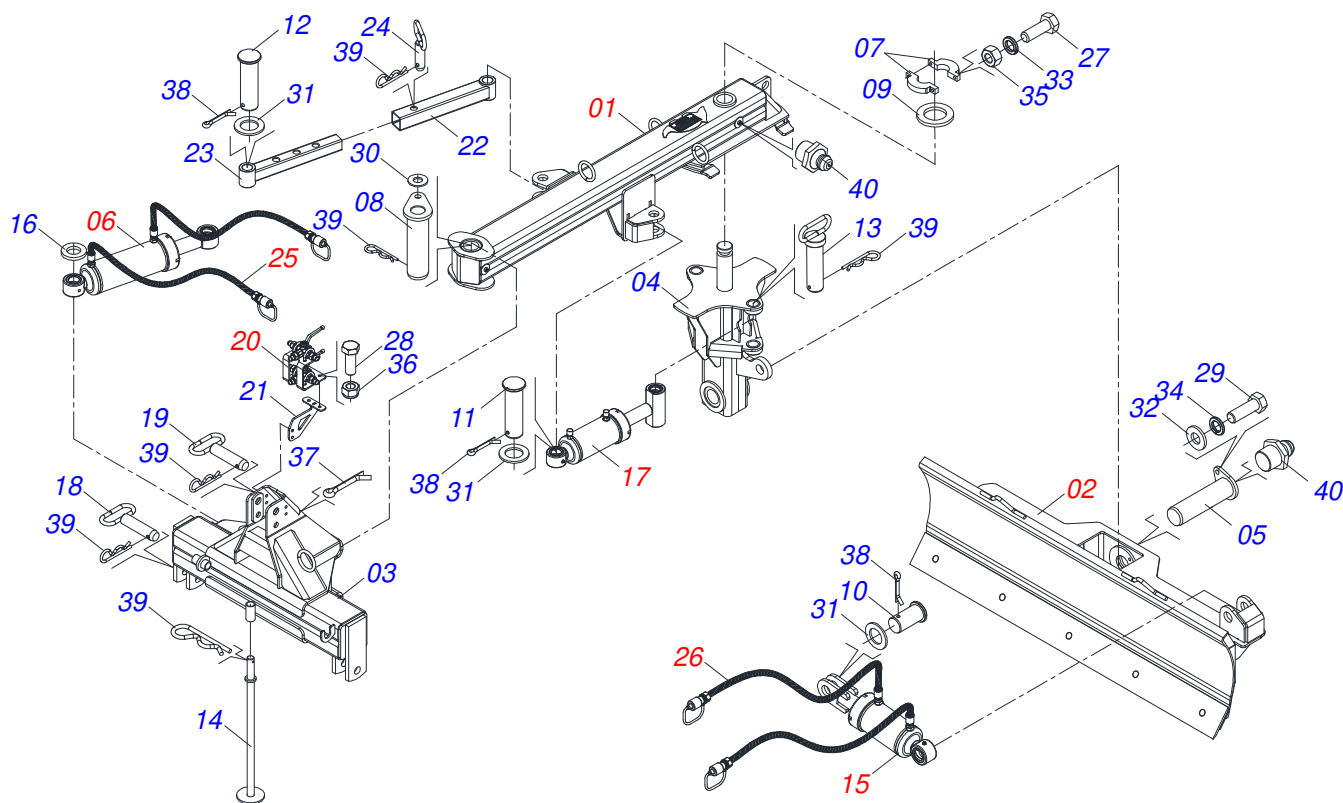
## **ATTENTION: IMPORTANT**

Marchesan S.A. reserves the right to improve and/or modify the technical features of its products, without obligation to do the same with those products already sold and without prior knowledge of the dealer or the customer. The photos are only illustrative.



# INDEX

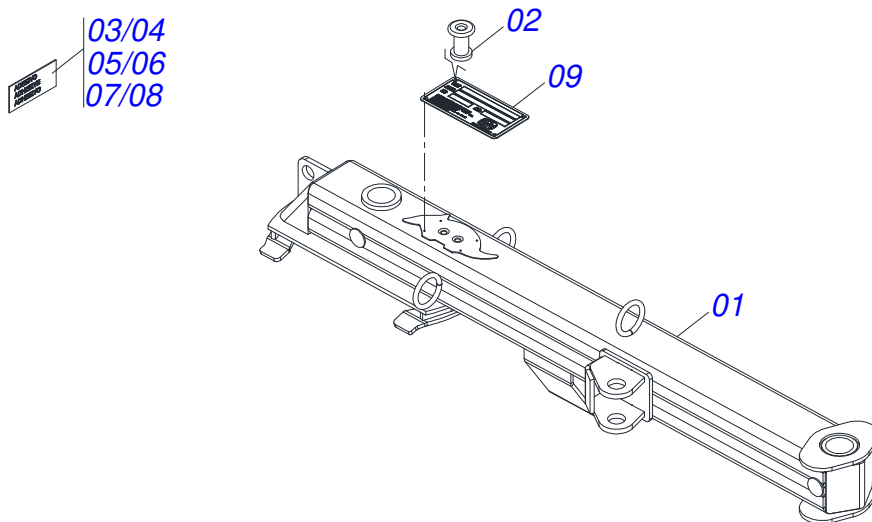
0909096717	PTH 1500/1800	.....	1
0531045083	(DEM/DEH) - MAIN BEAM	.....	2
0541050163	1500 - CRAPER SUPPORT	.....	3
0541050162	1800 - SCRAPER SUPPORT	.....	4
0531045091	2 X 4 X 179, HYDRAULIC CYLINDER	.....	5
0541050223	2 X 4 X 77,5 HYDRAULIC CYLINDER	.....	6
0541050233	2 X 4 X 106 HYDRAULIC CYLINDER	.....	7
0541050234	ASSEMBLY OF THE OUTLET REGISTRY FOR HOSE	.....	8
0541050235	HOSE SET - (DEH)	.....	9
0541050236	HOSE SET - (DEM)	.....	10



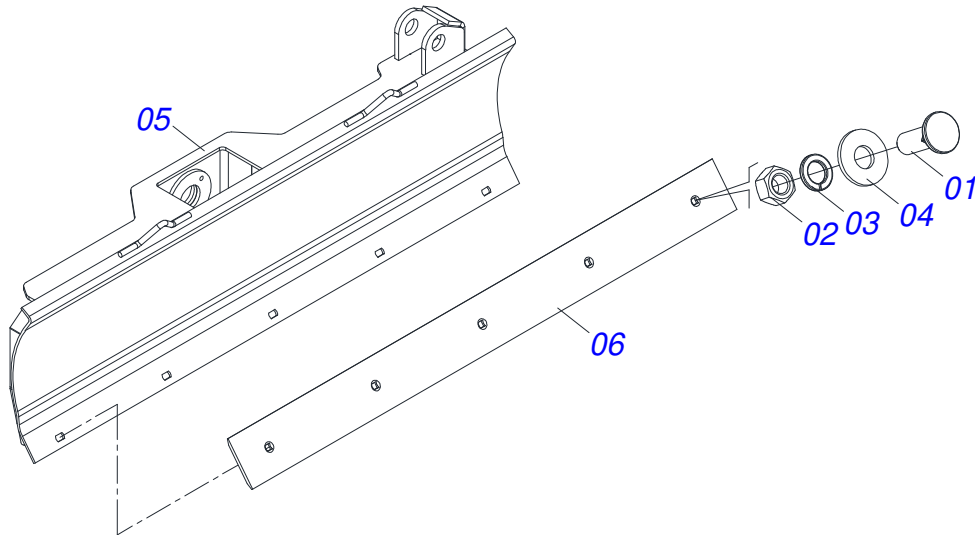
Item	Code	Description	See page	1500M	1500H	1800M	1800H
01	0531045083	(DEM/DEH) - MAIN BEAM	2	01	01	01	01
02	0541050163	1500 - CRAPER SUPPORT	3	01	01	00	00
02.	0541050162	1800 - SCRAPER SUPPORT	4	00	00	01	01
03	0531066223	FRONT FRAME		01	01	01	01
04	0531066227	SWIVELING CENTRAL TUBE		01	01	01	01
05	0531066229	59 X 212 JUNCTION AXLE		01	01	01	01
06	0531045091	2 X 4 X 179, HYDRAULIC CYLINDER	5	01	01	01	01
07	0501311902	CENTRAL TUBE FIXING CLAMP		02	02	02	02
08	0531066230	JUNCTION AXLE		01	01	01	01
09	0501311855	WASHER		01	01	01	01
10	0501311905	JUNCTION AXLE		01	01	01	01
11	0501311906	JUNCTION AXLE		02	02	02	02
12	0501311907	JUNCTION AXLE		02	02	02	02
13	0531066231	JUNCTION AXLE		01	01	01	01
14	0531066232	SUPPORT BASE		01	01	01	01
15	0541050223	2 X 4 X 77,5 HYDRAULIC CYLINDER	6	01	01	01	01
16	0501311913	40 X 72 X 9,5 WASHER		00	04	00	04
17	0541050233	2 X 4 X 106 HYDRAULIC CYLINDER	7	00	01	00	01
18	0531066233	27,8 X 110 JUNCTION AXLE		02	02	02	02
19	0531066234	25 X 132 JUNCTION AXLE		01	01	01	01
20	0541050234	ASSEMBLY OF THE OUTLET REGISTRY FOR 8 HOSE		00	01	00	01
21	0511072121	REGISTRATION BRACKET FIXING BRACKET		00	01	00	01
22	0531066235	(DEM) - TELESCOPIC TUBE WITH BUSHING		01	00	01	00
23	0531066228	(DEM) - TELESCOPIC TUBE WITH BUSHING		01	00	01	00
24	0531066312	JUNCTION AXLE		01	00	01	00
25	0541050235	HOSE SET - (DEH)	9	00	01	00	01
26	0541050236	HOSE SET - (DEM)	10	01	00	01	00
27	0503010397	5/16" X 1-3/4" BOLT		02	02	02	02
28	0503010237	3/8" X 1" BOLT		00	04	00	04
29	0503010920	1/2 UNC X 1.1/2 C S G.5 ZN BOLT		01	01	01	01
30	0591011409	FLAT WASHER 16,5 X 35 X 3,00		01	01	01	01



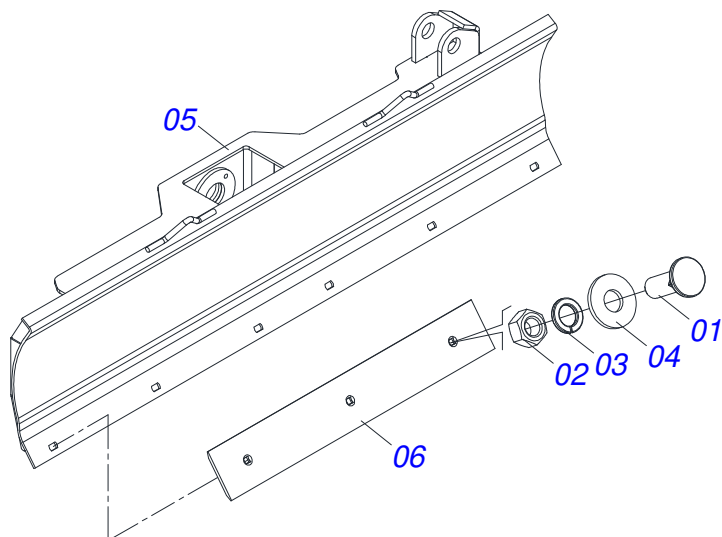
Item	Code	Description	See page	1500M	1500H	1800M	1800H
31	0501012916	FLAT WASHER 40 X 66 X 4,75 ZN		05	05	05	05
32	0501010937	13,50 X 28 X 3,00 FLAT WASHER		01	01	01	01
33	0503010179	LOCK WASHER 5/16 ZN 1K01528		02	02	02	02
34	0503010019	1/2" SPRING WASHER		01	01	01	01
35	0503010337	5/16" NUT		02	02	02	02
36	0503013357	3/8 SELF-ADJUSTING NUT		00	04	00	04
37	0503010300	5/32" X 1" COTTERPIN		01	01	01	01
38	0503012267	5/16" X 3" COTTER PIN		05	05	05	05
39	0503031035	HITCH PIN CLIP		06	05	06	05
40	0503010002	1800 GREASE FITTING		03	03	03	03



Item	Code	Description	See page	QT
01	0531066224	MAIN BEAM		01
02	0503010001	3.2 X 5.5 RIVET		04
03	0503031087	ADHESIVE LABEL		01
04	0503034078	LIFTING POINTS DECAL		01
05	0503031852	ADHESIVE LABEL		01
06	0503036239	ADHESIVE LABEL ATTENTION FLUIDS WITH PRESSURE		01
07	0503033428	ADHESIVE LABEL		01
08	0503060910	ADHESIVE LABEL ASSY		01
09	0503034003	SERIAL NUMBER TAG 61 X 118		01

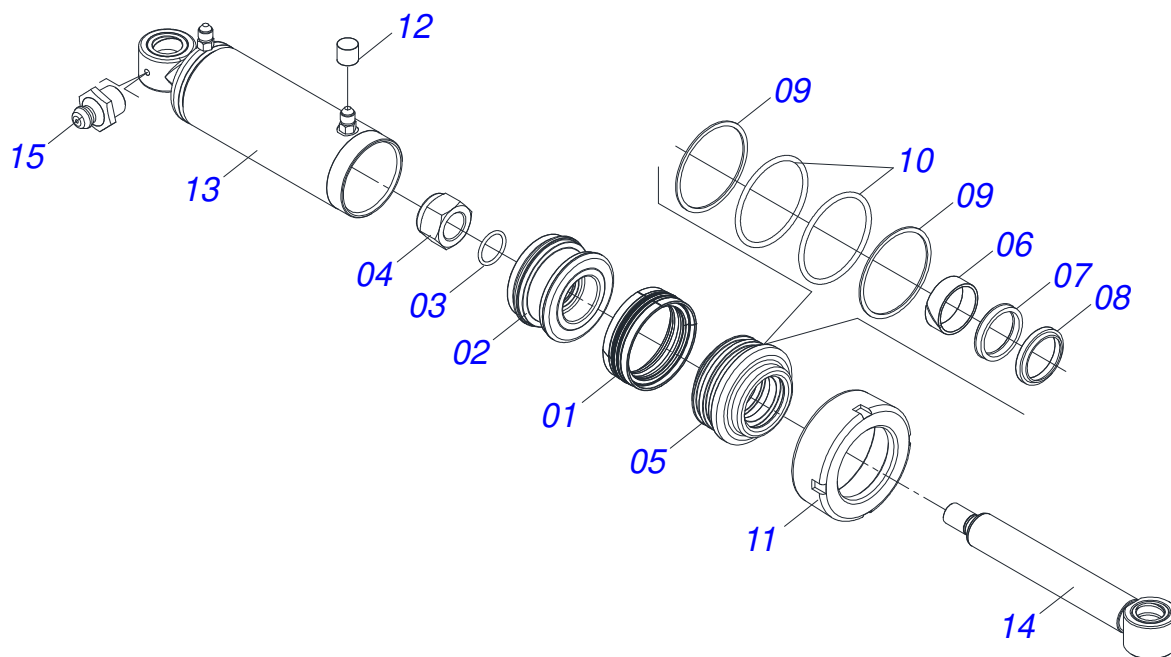


Item	Code	Description	See page	QT
01	0503012956	1/2" X 1-1/2" BOLT		05
02	0503012682	1/2" BSW NUT		05
03	0503011440	SPRING WASHER		05
04	0511017302	FLAT WASHER 13,50 X 32,50 X 3,0 ZN		05
05	0531066208	SCRAPER SUPPORT		01
06	0501311759	SCRAPER		01

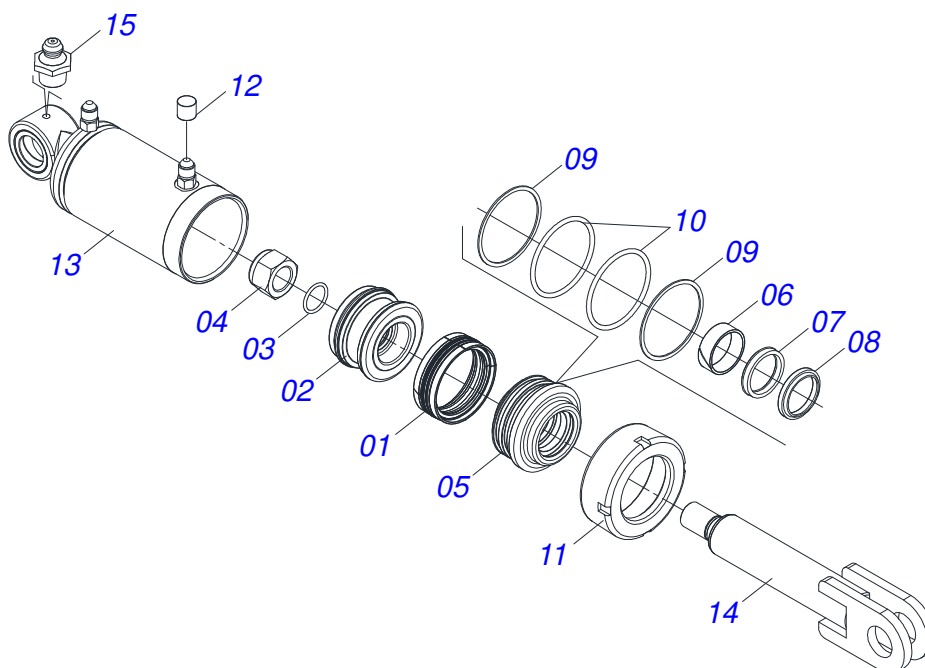


Item	Code	Description	See page	QT
01	0503012956	1/2" X 1-1/2" BOLT		06
02	0503012682	1/2" BSW NUT		06
03	0503011440	SPRING WASHER		06
04	0511017302	FLAT WASHER 13,50 X 32,50 X 3,0 ZN		06
05	0531066207	SCRAPER SUPPORT		01
06	0501311753	SCRAPER		02

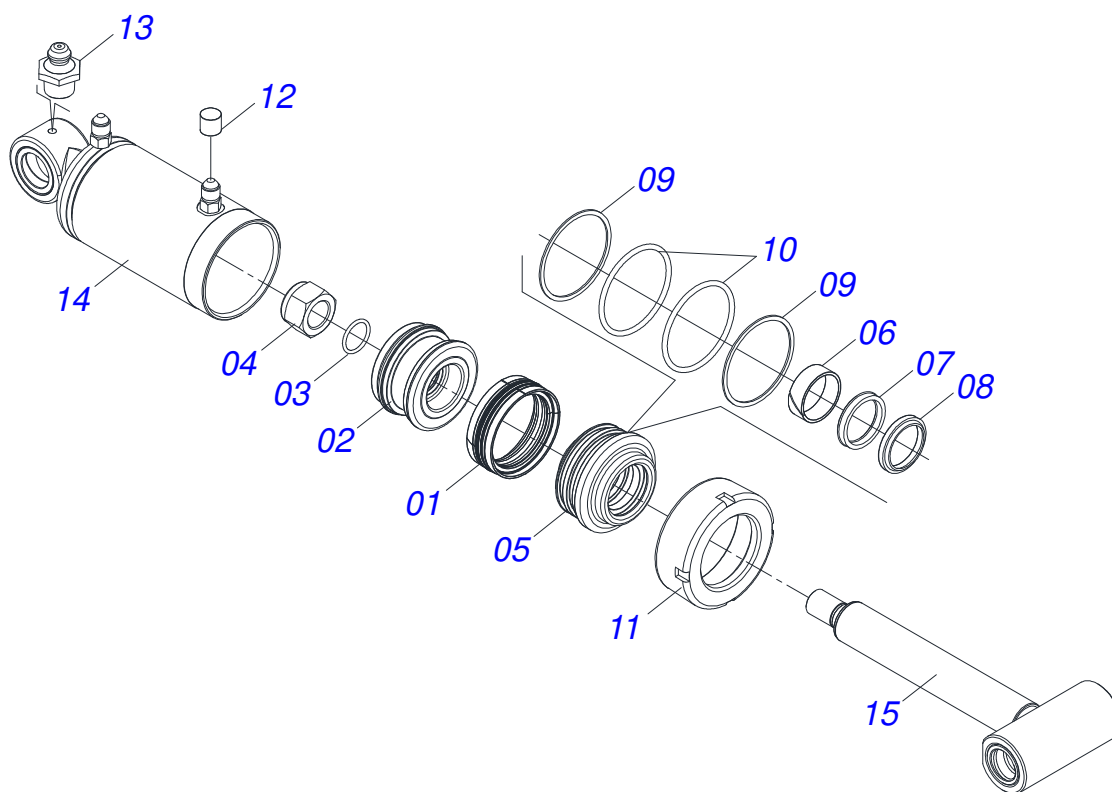




Item	Code	Description	See page	QT
01	0503015633	SELEMASTER SEALING		01
02	0502012842	50,80 X 101,60 PISTON		01
03	0503010345	2-218 N 3006-9B O'RING		01
04	0503010817	1.1/4" SELF LOCKING NUT		01
05	0581010678	50,80 X 101 RING SUPPORT		01
06	0503018025	RING GUIDE		01
07	0503018026	1870-2000-375 B GASKET		01
08	0503015636	SCRAPER SEAL		01
09	0503011061	8-342 BACK-UP RING		02
10	0503010338	2-342 N 3006-9B O'RING		02
11	0502012822	101.60 END CAP		01
12	0503030385	CYLINDER PLUG N-002		02
13	0531066236	101,6 X 377,5 CYLINDER BARREL		01
14	0531066378	50,80 X 390,5 CYLINDER EXTENDER		01
15	0503010002	1800 GREASE FITTING		02

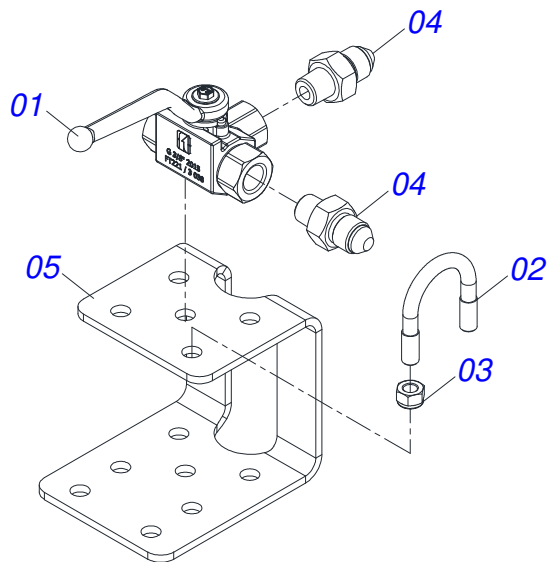


Item	Code	Description	See page	QT
01	0503015633	SELEMASTER SEALING		01
02	0502012842	50,80 X 101,60 PISTON		01
03	0503010345	2-218 N 3006-9B O'RING		01
04	0503010817	1.1/4" SELF LOCKING NUT		01
05	0581010678	50,80 X 101 RING SUPPORT		01
06	0503018025	RING GUIDE		01
07	0503018026	1870-2000-375 B GASKET		01
08	0503015636	SCRAPER SEAL		01
09	0503011061	8-342 BACK-UP RING		02
10	0503010338	2-342 N 3006-9B O'RING		02
11	0502012822	101.60 END CAP		01
12	0503030385	CYLINDER PLUG N-002		02
13	0531066375	101,6 X 274,5 CYLINDER BARREL		01
14	0531065684	50,8 X 365 CYLINDER EXTENDER		01
15	0503010002	1800 GREASE FITTING		01

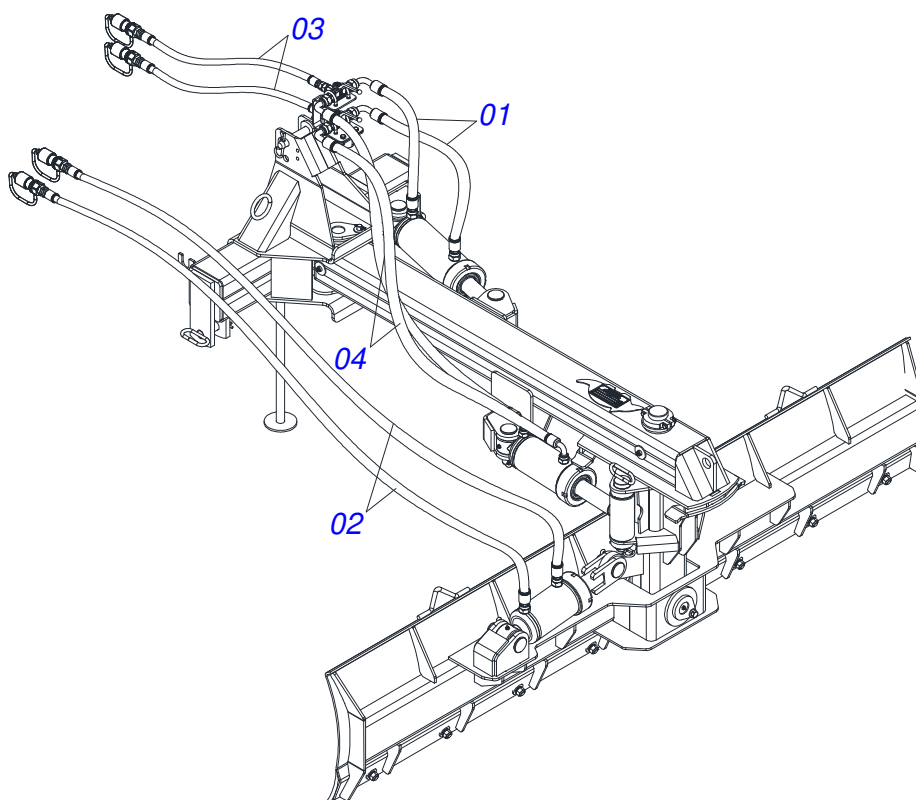


Item	Code	Description	See page	QT
01	0503015633	SELEMASTER SEALING		01
02	0502012842	50,80 X 101,60 PISTON		01
03	0503010345	2-218 N 3006-9B O'RING		01
04	0503010817	1.1/4" SELF LOCKING NUT		01
05	0581010678	50,80 X 101 RING SUPPORT		01
06	0503018025	RING GUIDE		01
07	0503018026	1870-2000-375 B GASKET		01
08	0503015636	SCRAPER SEAL		01
09	0503011061	8-342 BACK-UP RING		02
10	0503010338	2-342 N 3006-9B O'RING		02
11	0502012822	101.60 END CAP		01
12	0503030385	CYLINDER PLUG N-002		02
13	0503010002	1800 GREASE FITTING		02
14	0531066374	101,6 X 304 CYLINDER BARREL		01
15	0531065880	50,80 X 386 CYLINDER EXTENDER		01

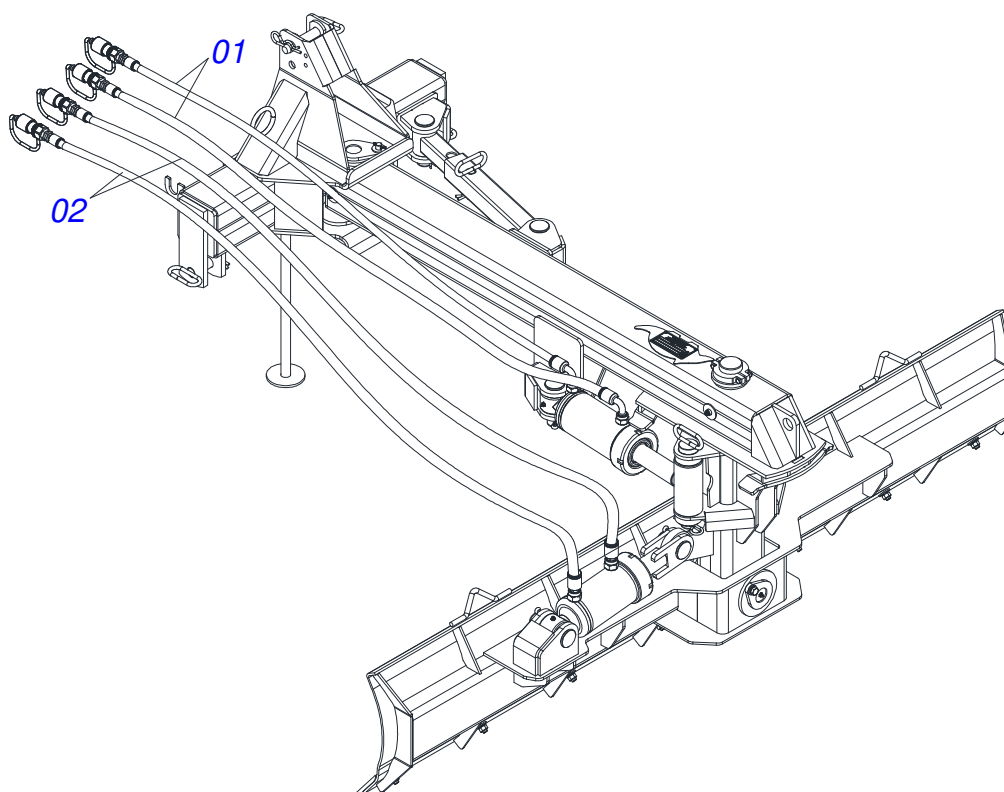
ASSEMBLY OF THE OUTLET REGISTRY FOR HOSE



Item	Code	Description	See page	QT
01	0503016612	VALVE		02
02	0551019884	45 X 50 X 3/8 FASTENER		04
03	0503013357	3/8 SELF-ADJUSTING NUT		08
04	0571013798	3/4" UNF X 3/8 NPT NIPPLE		06
05	0501312186	REGISTRATION SUPPORT		01



Item	Code	Description	See page	QT
01	0501080124	HOSE 3/8 X 900 TR-TC		02
02	0501080528	3/8 X 3700 TR-TM HOSE		02
03	0501080371	3/8" X 55" TR-TM HOSE ASSY		02
04	0501080514	3/8 X 1700 TC-TC HOSE		02



Item	Code	Description	See page	QT
01	0501080553	3/8" X 3200 TC-TM HOSE		02
02	0501080528	3/8 X 3700 TR-TM HOSE		02





**MARCHESAN**

**Technical Publications | Elaboration and Revision**

LORENA ROCHA ALVES

[www.marchesan.com.br](http://www.marchesan.com.br)

