

PCA T / PCA PLUS - AGRICULTURAL FRONT LOADER

PCA PLUS 1500 VTR A750 SHT CD

Code: 0501093520

Series: S-0716

Revision: 00

Date Revision: ABRIL/2023

PARTS CATALOGUE



MARCHESAN



PRODUCTS

Code	Description
0106111705	PCA PLUS 1500 VTR A750/850/950 SHT CD JS S/AC S716

ATTENTION: IMPORTANT

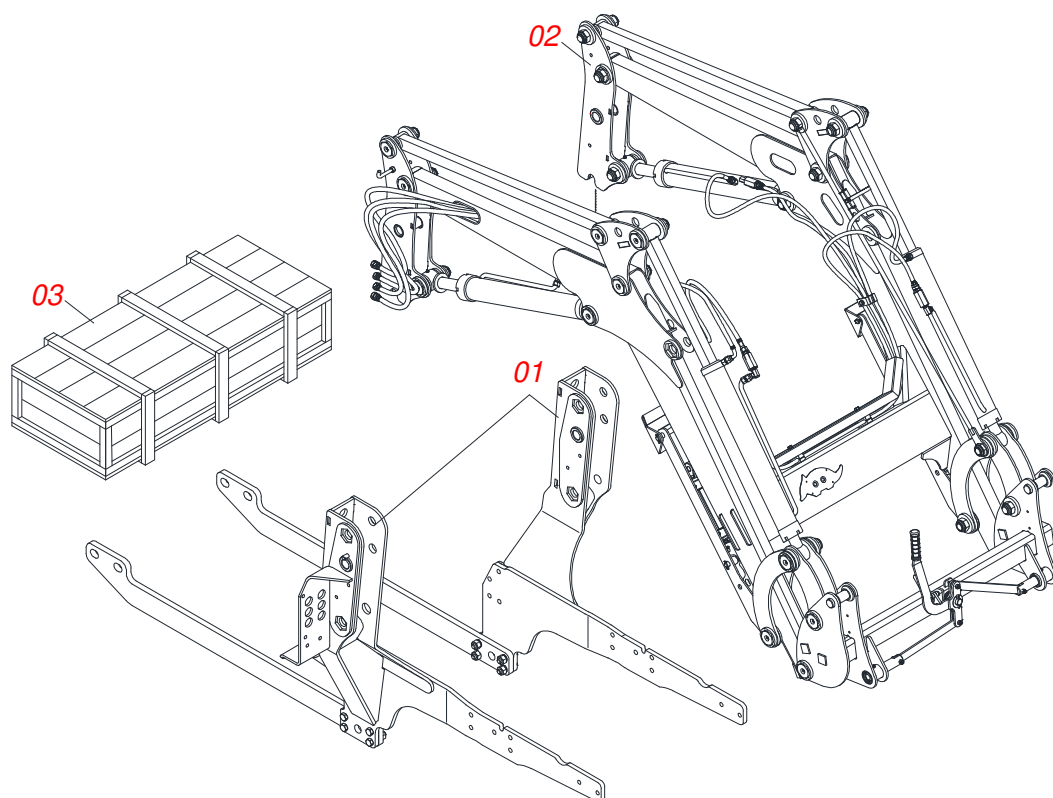
Marchesan S.A. reserves the right to improve and/or modify the technical features of its products, without obligation to do the same with those products already sold and without prior knowledge of the dealer or the customer. The photos are only illustrative.



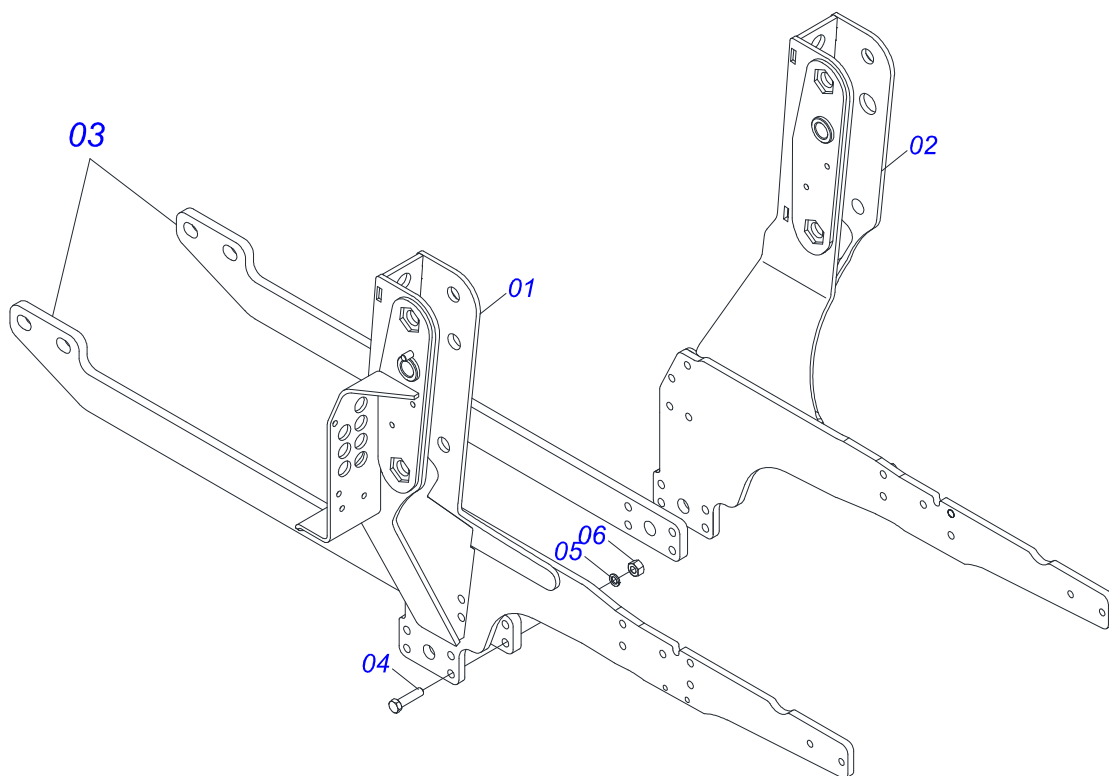
MARCHESAN

INDEX

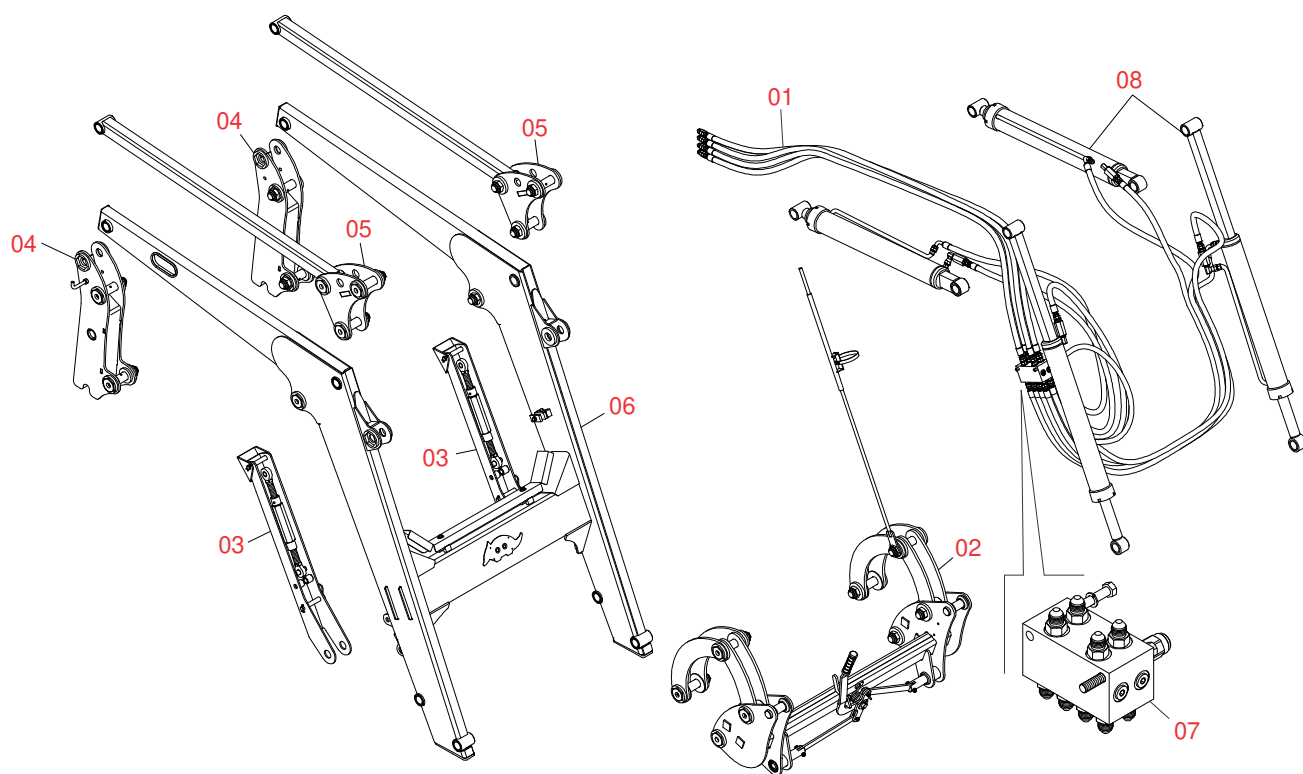
0106111705	PCA PLUS 1500 VTR A750/850/950 SHT CD JS S/AC S716	1
0521046962	CHASSIS SET WITH REAR BAR	2
0521046979	MOBILE SUPPORT	3
0511056982	HOSE SET MOBILE SUPPORT	4
0909092474	ARTICULATOR ASSEMBLY	5
0909092475	RESTING WITH NUT MOUNT HOLDER	6
0909092733	TOWER SET - PCA PLUS 1500 VTR BT	7
0909092674	ARTICULATING BRACKET ASSEMBLY	8
0909093600	MOBILE SUPPORT PCA-T 1500 VTR COMPLETE	9
0909093601	BLOCK COMMAND HFB0150331	10
0909093602	HYDRAULIC CYLINDER ASSEMBLY - PCA PLUS 1500 VTR	11
0521045321	HYDRAULIC CYLINDER LEFT	12
0521045322	HYDRAULIC CYLINDER RIGHT	13
0511058221	HYDRAULIC CYLINDER LEFT	14
0511058222	HYDRAULIC CYLINDER RIGHT	15
0511057772	SECURITY VALVE ASSY	16
0521022973	BOX WITH COMPONENTS	17
0521045393	SET SUPPORT JOY STICK	18
0521046875	1/2 COMPLETE JOYSTICK CONTROL	19
0501044434	1" NC X 700 ROD W/NUTS	20
0521045277	40L PUMP WITH PIPES	21
0521046987	FULL OIL RESERVOIR	22
0521050247	R.7/8 LARGER RETURN FILTER	23
0511032510	PACKED PARTS	24
0501053834	MALE QUICK COUPLER	25
0501053835	FEMALE QUICK COUPLER	26



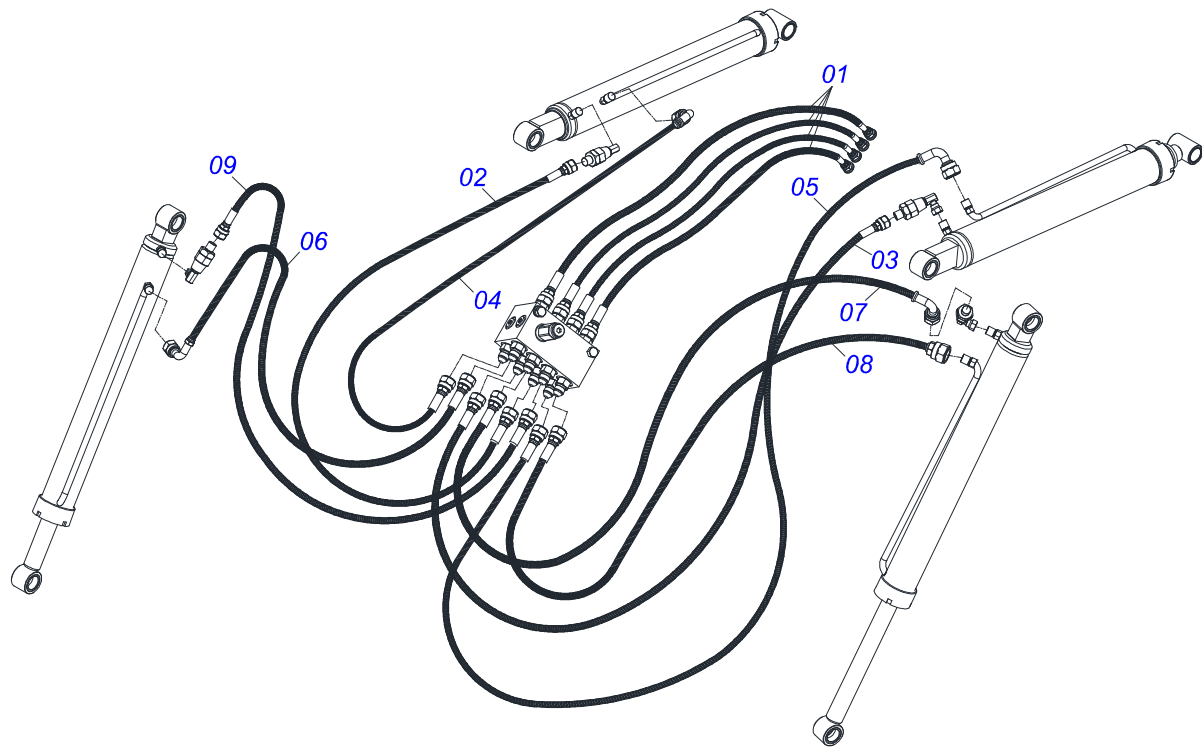
Item	Code	Description	See page	QT
01	0521046962	CHASSIS SET WITH REAR BAR	2	01
02	0521046979	MOBILE SUPPORT	3	01
03	0521022973	BOX WITH COMPONENTS	17	01



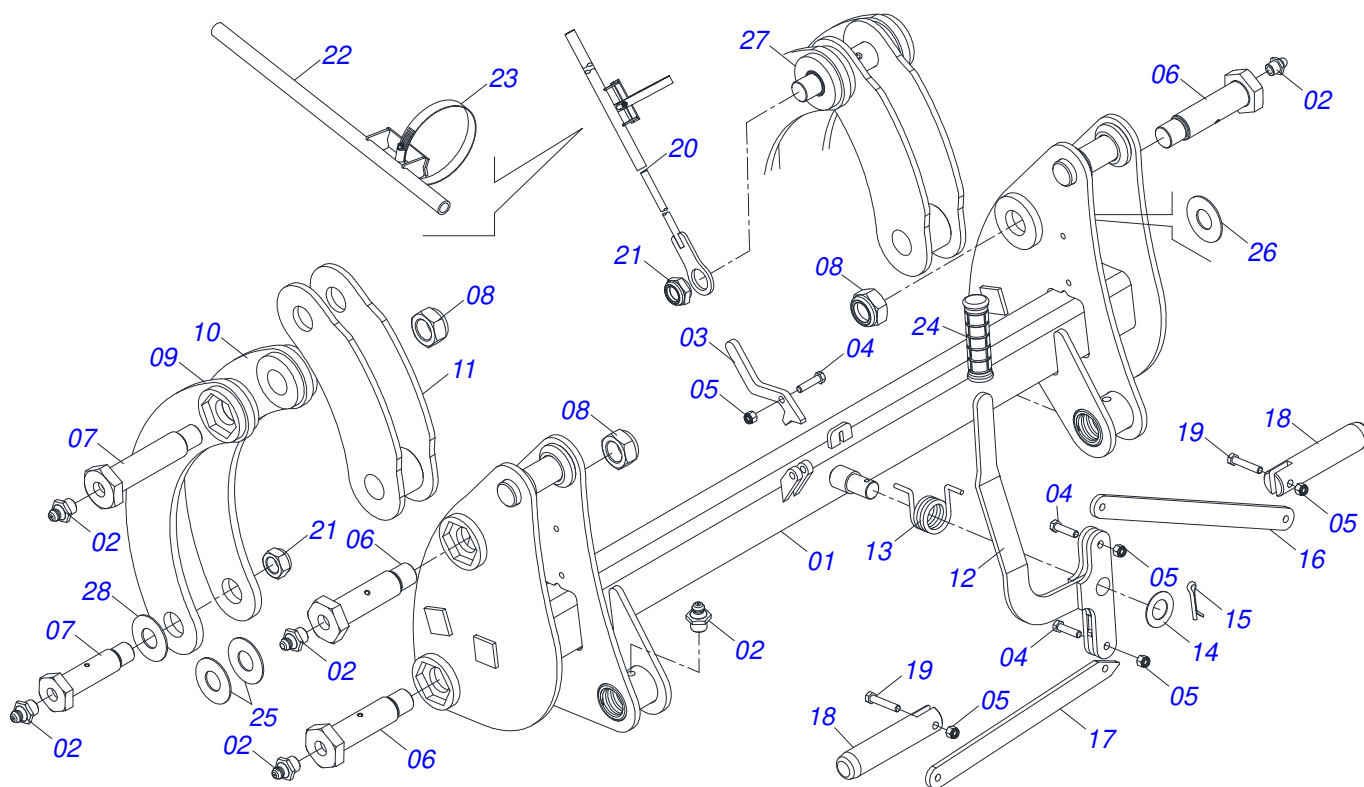
Item	Code	Description	See page	QT
01	0521067466	RIGHT FRAME		01
02	0521067465	LEFT FRAME		01
03	0571019093	REAR COUPLING BAR		02
04	0501010500	3/4" X 3" BOLT		08
05	0503010023	3/4" SPRING WASHER		08
06	0503010014	3/4" HEX NUT		08



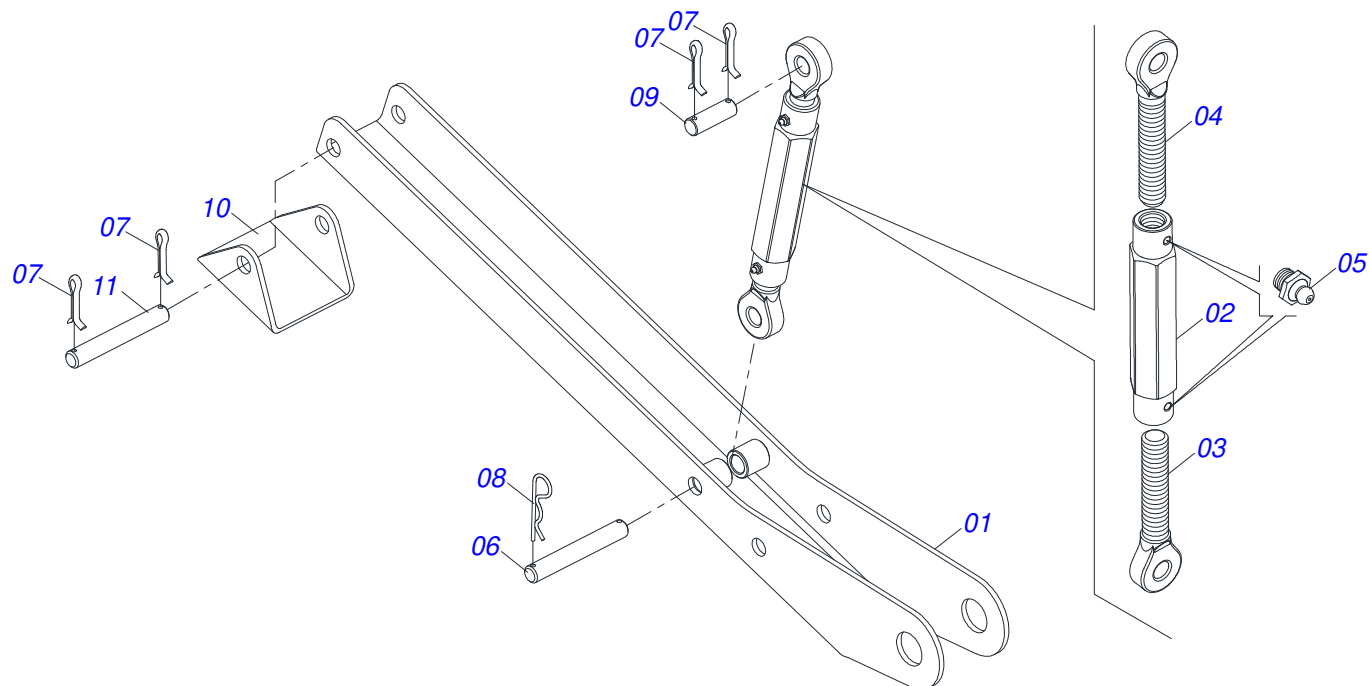
Item	Code	Description	See page	QT
01	0511056982	HOSE SET MOBILE SUPPORT	4	01
02	0909092474	ARTICULATOR ASSEMBLY	5	01
03	0909092475	RESTING WITH NUT MOUNT HOLDER	6	02
04	0909092733	TOWER SET - PCA PLUS 1500 VTR BT	7	02
05	0909092674	ARTICULATING BRACKET ASSEMBLY	8	02
06	0909093600	MOBILE SUPPORT PCA-T 1500 VTR COMPLETE	9	01
07	0909093601	BLOCK COMMAND HFB0150331	10	01
08	0909093602	HYDRAULIC CYLINDER ASSEMBLY - PCA PLUS 1500 VTR	11	01



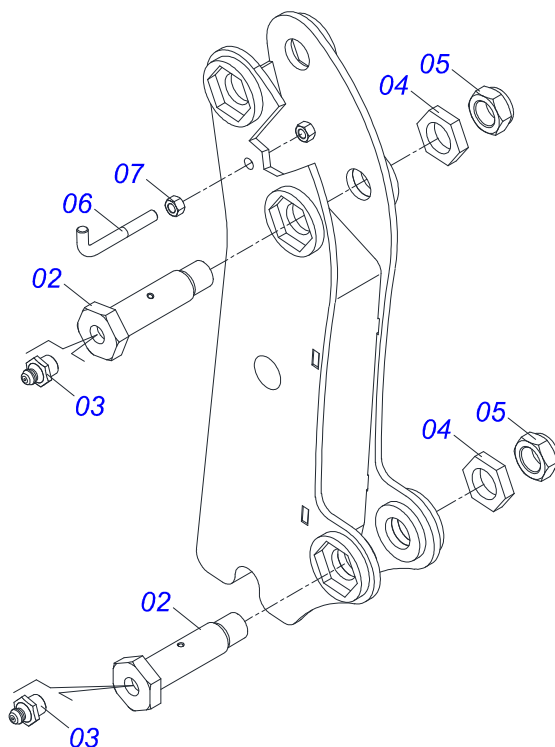
Item	Code	Description	See page	QT
01	0501080452	3/8" X 98" TR-TR HOSE		04
02	0501080439	3/8" X 43" TR-TR HOSE		01
03	0501080483	3/8" X 86,6" TR-TR HOSE		01
04	0501080348	3/8" X 47,2" TR-TC HOSE		01
05	0501080412	3/8" X 90.55" TR-TC HOSE		01
06	0501080375	3/8" X 23,6" TR-TC HOSE		01
07	0501080419	3/8" X 82,6" TR-TC HOSE		01
08	0501080320	3/8" X 82,6" TR-TR HOSE		01
09	0501080027	3/8" X 39,3" TR-TR HOSE		01



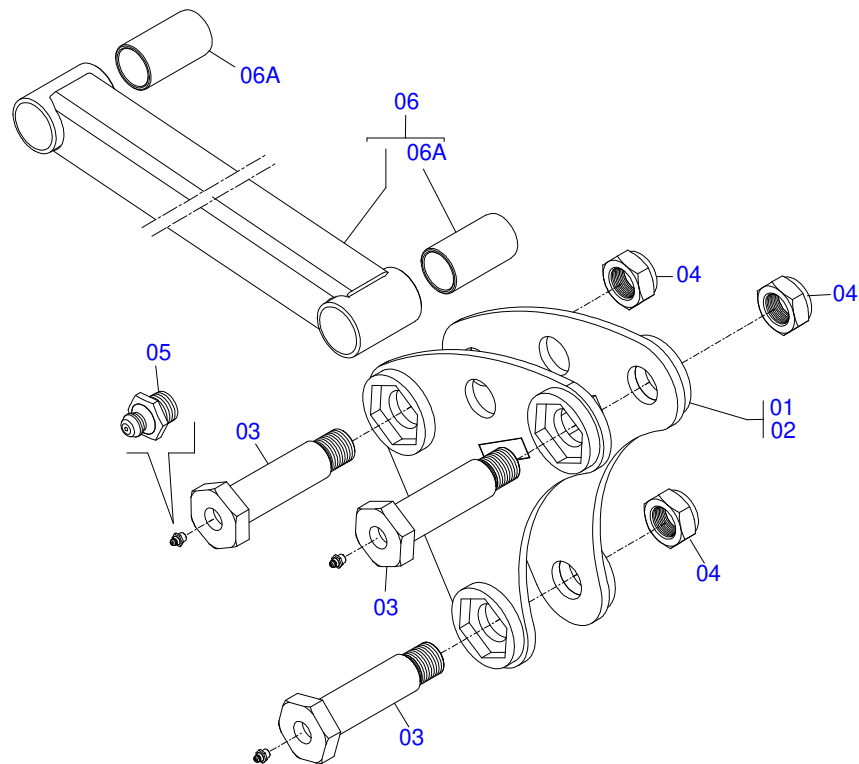
Item	Code	Description	See page	QT
01	0521065697	ARTICULATOR	01	
02	0503010002	1800 GREASE FITTING	10	
03	0571018934	PENDULUM LOCKS	01	
04	0503010849	3/8" X 1-1/2" BOLT	03	
05	0503013357	3/8 SELF-ADJUSTING NUT	05	
06	0571018264	1.1/4" UNF X 149 ZN BOLT	04	
07	0571018245	1.1/4" UNF X 139 BOLT	04	
08	0503010044	1-1/4" SELF LOCKING NUT	07	
09	0521067473	EXTERNAL ARM OF THE ARTICULATOR	02	
10	0521067474	INTERNAL ARM OF THE ARTICULATOR	02	
11	0521067478	LOWER ARTICULATOR	02	
12	0521065888	LEVER	01	
13	0503034192	TORSION SPRING	01	
14	0561811883	28,5 X 51,5 X 1,50 SA FLAT WASHER	01	
15	0503010523	1/4" X 2" COTTERPIN	01	
16	0571018935	SPRING SUPPORT ARM	01	
17	0571018125	RIGHT ARM OF THE UNLOCK	01	
18	0571018129	PIN LOCK ACCESSORY	02	
19	0503011236	3/8" X 2" BOLT	02	
20	0521068692	LEVEL ROD	01	
21	0571018205	1.1/4" X UNF NUT WITH RECESS	01	
22	0521067968	ROD GUIDE	01	
23	0503011372	102 TO 121 CLAMP	01	
24	0503037382	25 X 120 PVC HANDLE	01	
25	0551014871	FLAT WASHER	04	
26	0521011100	FLAT WASHER	08	
27	0581014204	FLAT WASHER	04	
28	0591010982	WASHER SPACER	04	



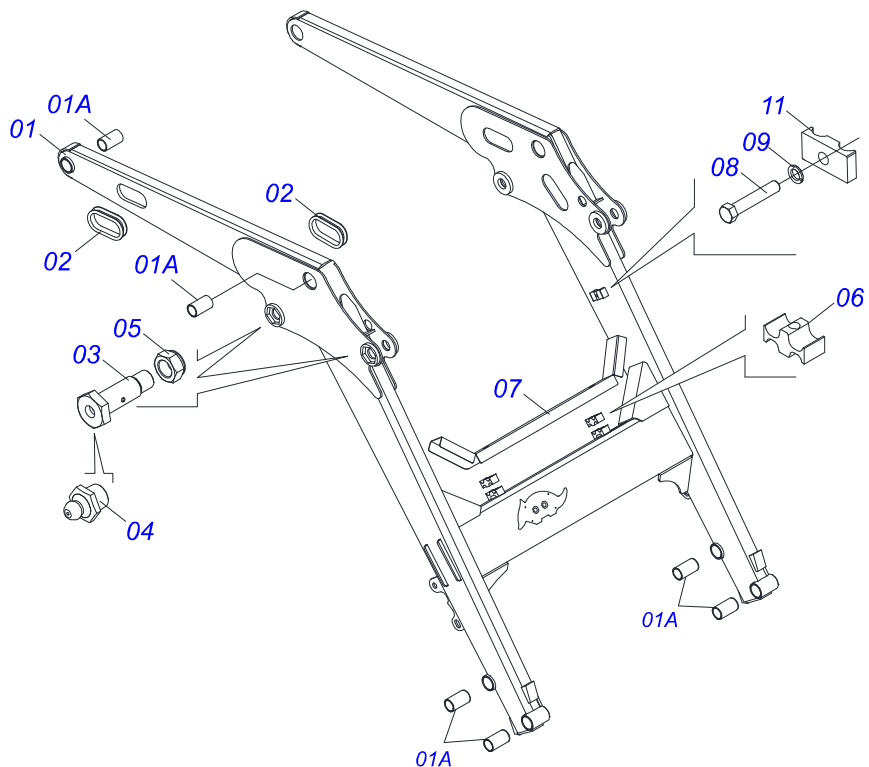
Item	Code	Description	See page	QT
01	0521065756	PLOUGH SUPPORT BODY		02
02	0502012530	REGULATOR NUT BODY R1		02
03	0502012562	LEFT SPINDLE R1 X 160		02
04	0502012529	RIGHT SPINDLE R1 X 160		02
05	0503010002	1800 GREASE FITTING		04
06	0511013598	3/4" X 4.7" COUPLING SHAFT		02
07	0503010071	3/16" X 1" COTTERPIN		06
08	0503030012	HITCH PIN CLIP		02
09	0561015578	3/4 X 56 COUPLING SHAFT		02
10	0571018252	REST BASE		02
11	0521012777	COUPLING SHAFT		02



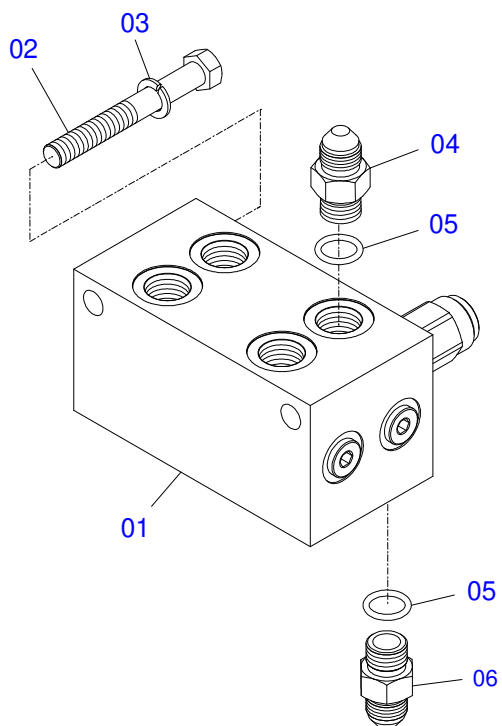
Item	Code	Description	See page	QT
01	0521067487	MOBILE TOWER		02
02	0571018264	1.1/4" UNF X 149 ZN BOLT		04
03	0503010002	1800 GREASE FITTING		04
04	0581010243	WASHER HEX		04
05	0503010044	1-1/4" SELF LOCKING NUT		04
06	0581010285	CONTROL LOCKING HOOK		01
07	0503810060	NUT 1/2 NC S SA		02



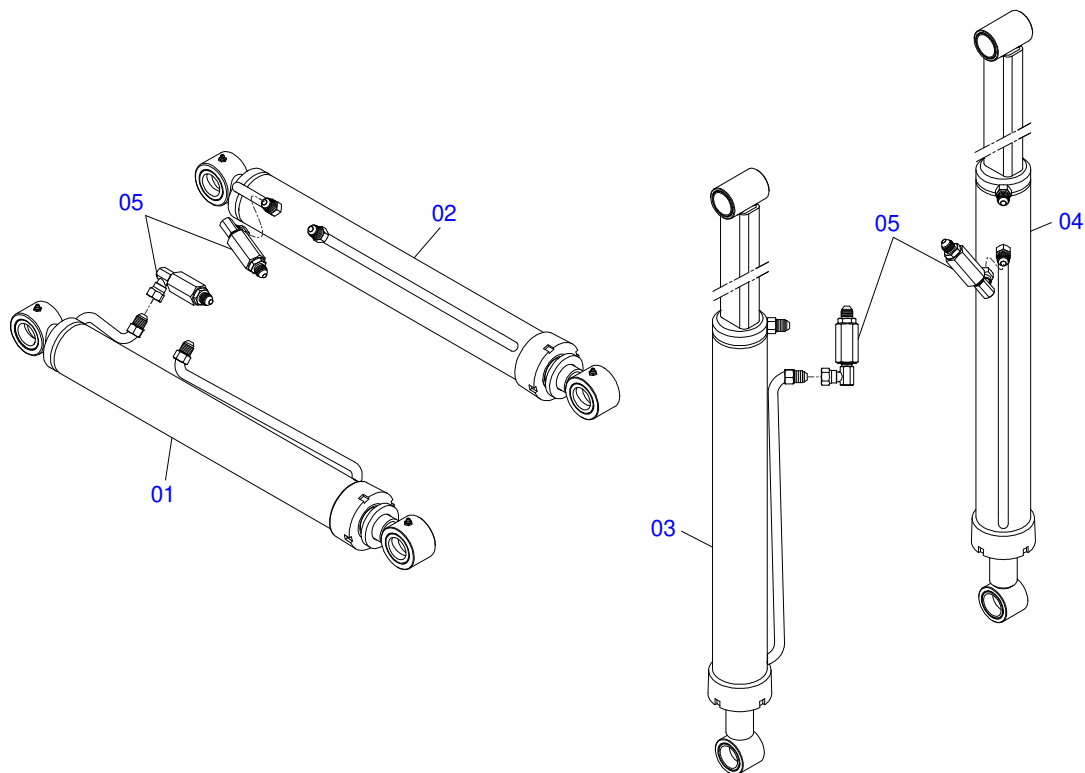
Item	Code	Description	See page	QT
01	0521065745	RIGHT JOINT		01
02	0521065751	LEFT JOINT		01
03	0571018264	1.1/4" UNF X 149 ZN BOLT		06
04	0503010044	1-1/4" SELF LOCKING NUT		06
05	0503010002	1800 GREASE FITTING		06
06	0521067538	COPIER ARM		02
06A	0571018080	BUSHING Ø37,70 X Ø45,15 X 80 PCA-T 1500		04



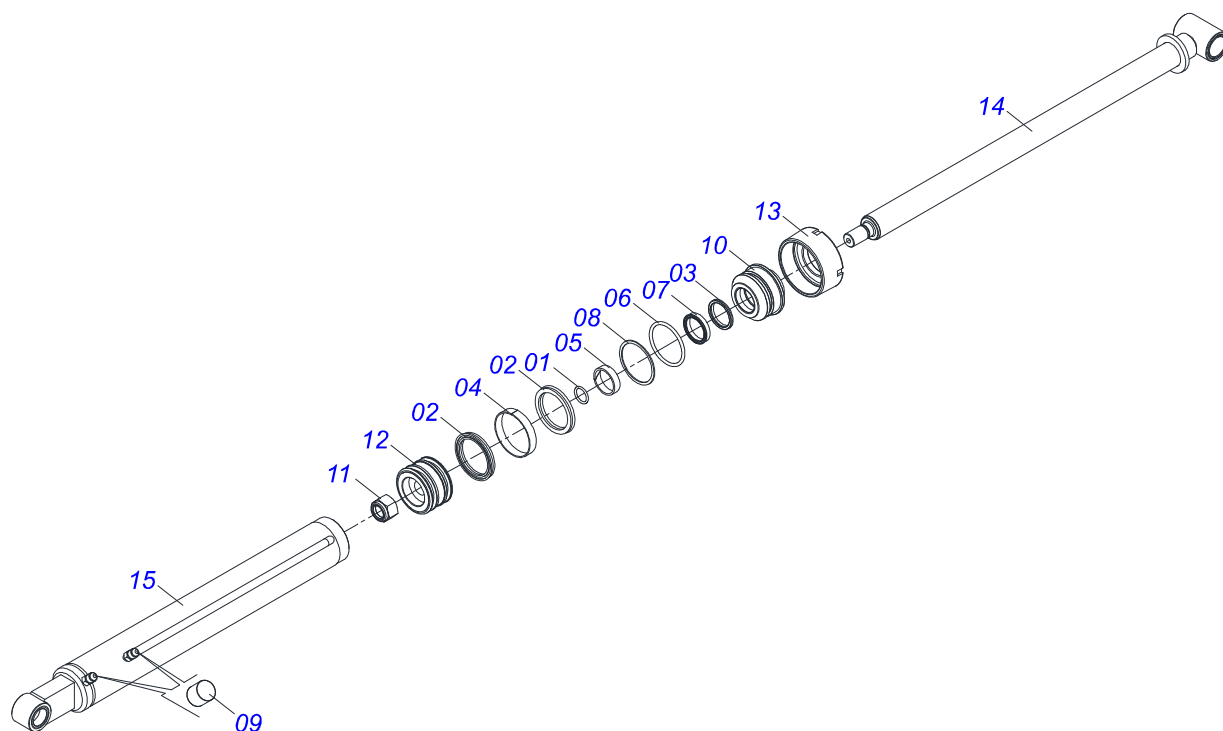
Item	Code	Description	See page	QT
01	0521065742	MOBILE SUPPORT		01
01A	0571018080	BUSHING Ø37,70 X Ø45,15 X 80 PCA-T 1500		08
02	0503034364	HOSE PROTECTOR		02
03	0581013575	1.1/4 UNF X 85 BOLT		04
04	0503010002	1800 GREASE FITTING		04
05	0503010044	1-1/4" SELF LOCKING NUT		04
06	1902012702	UPPER CLAMP BODY		02
07	0521065758	PIPELINE PROTECTION		01
08	0503012555	SCREW 7/16 UNC X 2 CS RT G.7 ZN		02
09	0503010180	7/16" SPRING WASHER		02
10	1902010477	UPPER CLAMP BODY		03



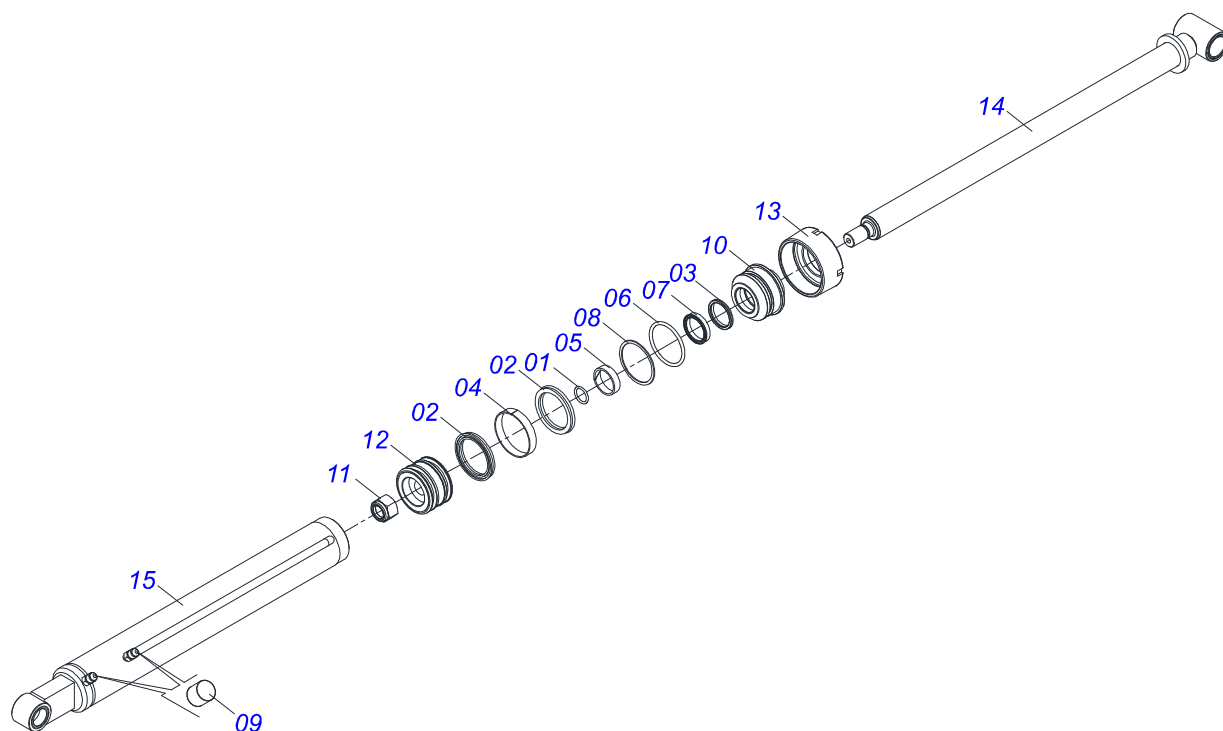
Item	Code	Description	See page	QT
01	0503062416	BLOCK COMMAND		01
02	0503010851	7/16" X 3.1/2" BOLT		02
03	0503010180	7/16" SPRING WASHER		02
04	0501010617	3/4" NIPPLE		04
05	0503010190	2-114 N 3006-9B O'RING		12
06	0501010617	3/4" NIPPLE		08



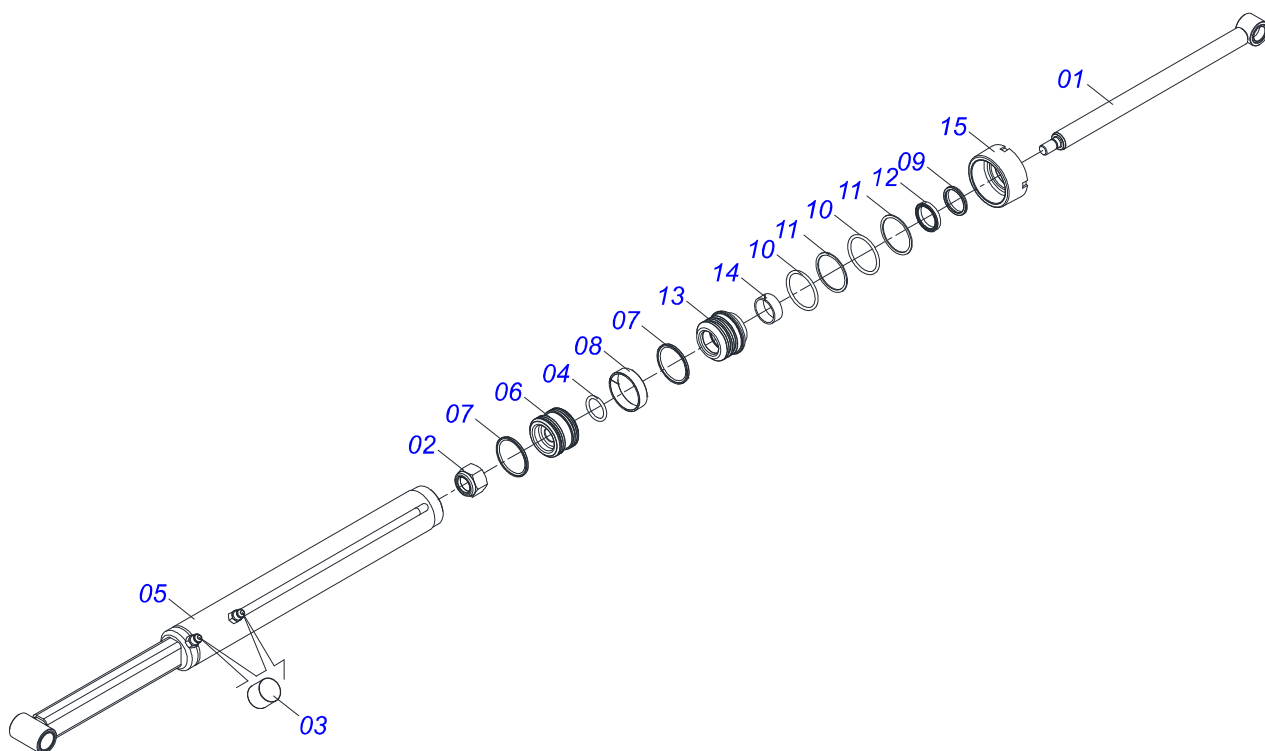
Item	Code	Description	See page	QT
01	0521045321	HYDRAULIC CYLINDER LEFT	12	01
02	0521045322	HYDRAULIC CYLINDER RIGHT	13	01
03	0511058221	HYDRAULIC CYLINDER LEFT	14	01
04	0511058222	HYDRAULIC CYLINDER RIGHT	15	01
05	0511057772	SECURITY VALVE ASSY	16	04



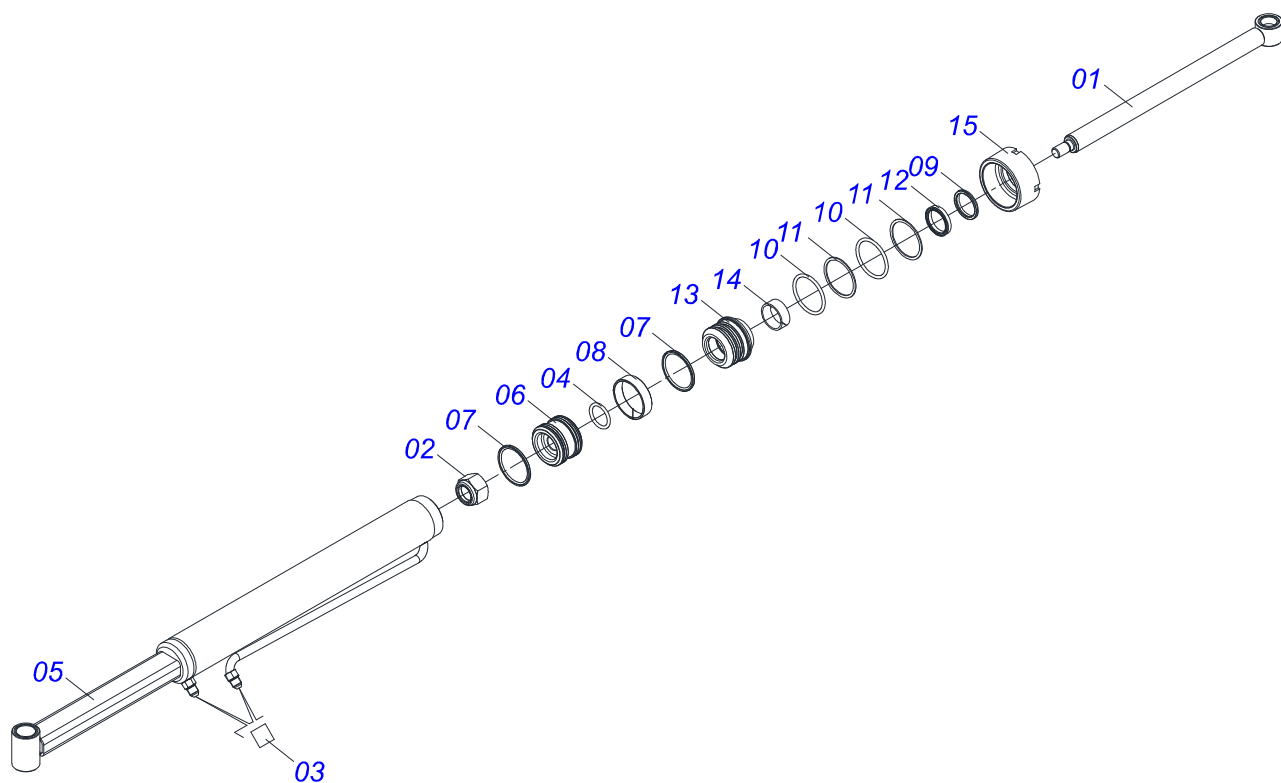
Item	Code	Description	See page	QT
01	0503010042	2-214 N 3006-9B O'RING		01
02	0503010170	PACKING 3120 2750		02
03	0503010761	D-1750 SCRAPER RING		01
04	0503010948	W4-3346-590 PK RING G.E		01
05	0503010949	W2-2000-500 PK RING G.E		01
06	0503010976	2-336 N 3006-9B O'RING		01
07	0503010990	GASKET		01
08	0503011060	8-336 BACK-UP RING		01
09	0503030385	CYLINDER PLUG N-002		02
10	0502010781	RING SUPPORT		01
11	0503010063	1" SELF-ALIGNING NUT		01
12	0502010843	1.8" X 3.4" PISTON		01
13	0502010993	DETACHABLE COVER		01
14	0521065701	44,45 X 820 EXTENDER PCA-T 1500		01
15	0521065699	85,72/85,80 X 725 CYLINDER CASE WITH LEFT CONECT		01



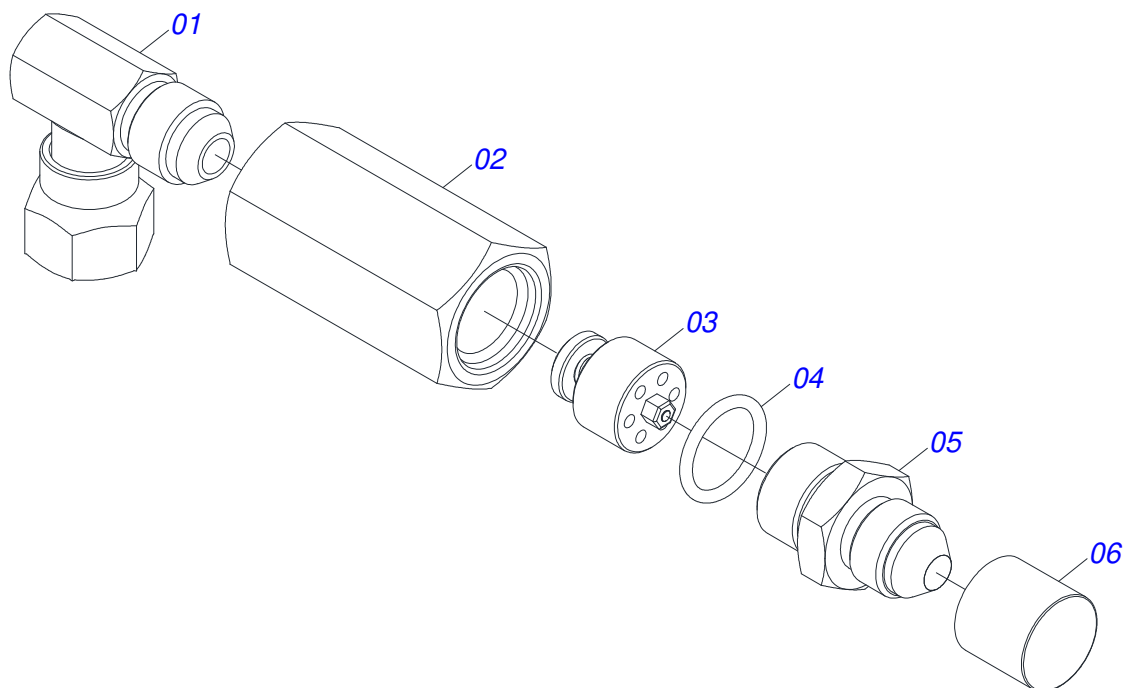
Item	Code	Description	See page	QT
01	0503010042	2-214 N 3006-9B O'RING		01
02	0503010170	PACKING 3120 2750		02
03	0503010761	D-1750 SCRAPER RING		01
04	0503010948	W4-3346-590 PK RING G.E		01
05	0503010949	W2-2000-500 PK RING G.E		01
06	0503010976	2-336 N 3006-9B O'RING		01
07	0503010990	GASKET		01
08	0503011060	8-336 BACK-UP RING		01
09	0503030385	CYLINDER PLUG N-002		02
10	0502010781	RING SUPPORT		01
11	0503010063	1" SELF-ALIGNING NUT		01
12	0502010843	1.8" X 3.4" PISTON		01
13	0502010993	DETACHABLE COVER		01
14	0521065701	44,45 X 820 EXTENDER PCA-T 1500		01
15	0521065700	85,72/85,80 X 725 CYLINDER CASE WITH RIGHT CONECT		01



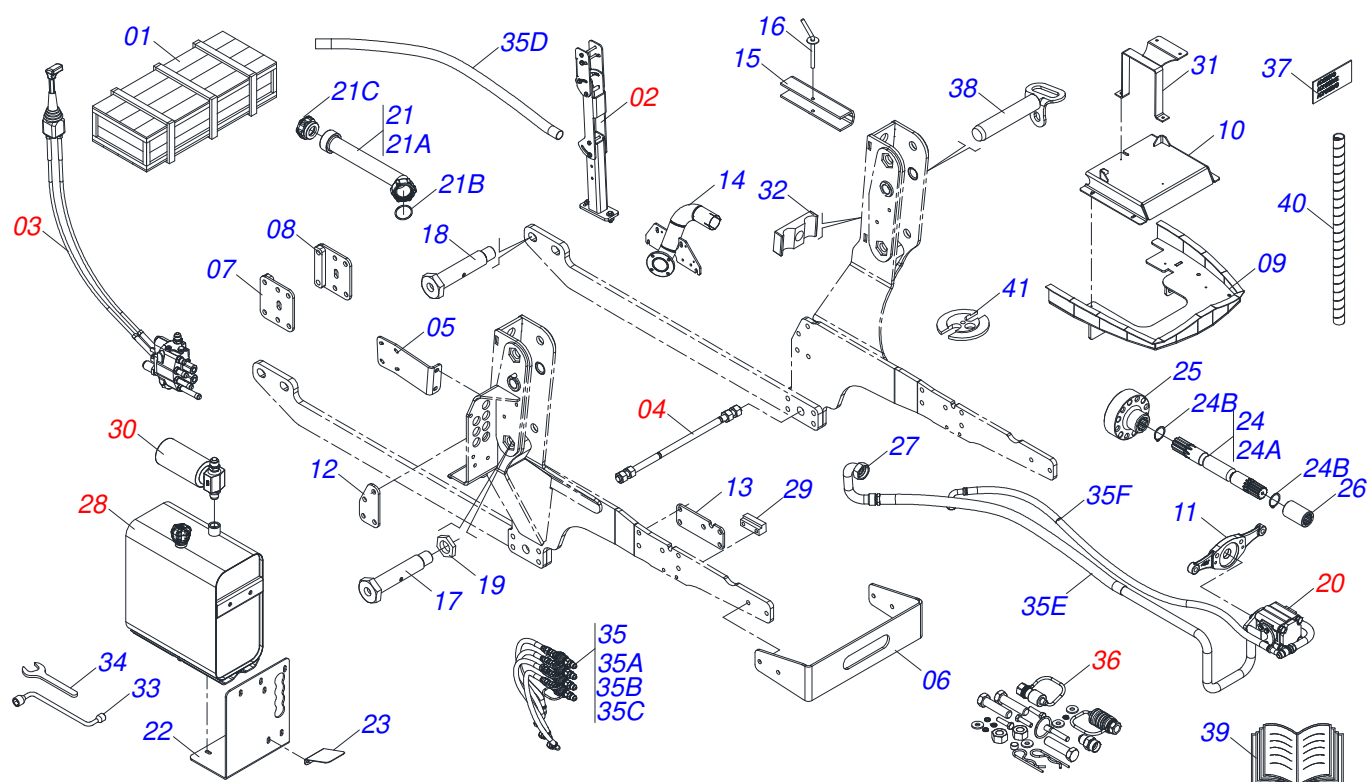
Item	Code	Description	See page	QT
01	0521065738	44,45 X 836 WELDED ROD PCA-T 1500 PLUS		01
02	0503010063	1" SELF-ALIGNING NUT		01
03	0503030385	CYLINDER PLUG N-002		02
04	0503010042	2-214 N 3006-9B O'RING		01
05	0521065737	LEFT CYLINDER CASE WITH EXTENDER		01
06	0581010304	PISTON		01
07	0503018138	RING BS		02
08	0503018140	RING GUIDE		01
09	0503010761	D-1750 SCRAPER RING		01
10	0503010343	2-334 N 3006-9B O'RING		02
11	0503011059	8-334 BACK-UP RING		02
12	0503017937	GASKET		01
13	0581010301	RING SUPPORT		01
14	0503017938	RING GUIDE		01
15	0502011899	MOBILE COVER		01



Item	Code	Description	See page	QT
01	0521065738	44,45 X 836 WELDED ROD PCA-T 1500 PLUS		01
02	0503010063	1" SELF-ALIGNING NUT		01
03	0503030385	CYLINDER PLUG N-002		02
04	0503010042	2-214 N 3006-9B O'RING		01
05	0521065704	RIGHT CYLINDER CASE WITH EXTENDER		01
06	0581010304	PISTON		01
07	0503018138	RING BS		02
08	0503018140	RING GUIDE		01
09	0503010761	D-1750 SCRAPER RING		01
10	0503010343	2-334 N 3006-9B O'RING		02
11	0503011059	8-334 BACK-UP RING		02
12	0503017937	GASKET		01
13	0581010301	RING SUPPORT		01
14	0503017938	RING GUIDE		01
15	0502011899	MOBILE COVER		01



Item	Code	Description	See page	QT
01	0503018034	MALE KNEE JIC		01
02	0581014055	ADAPTER		01
03	0503016854	VALVE ASSY		01
04	0503010045	O'RING		01
05	0581014054	BSP 1/2" NIPPLE		01
06	0503030385	CYLINDER PLUG N-002		01



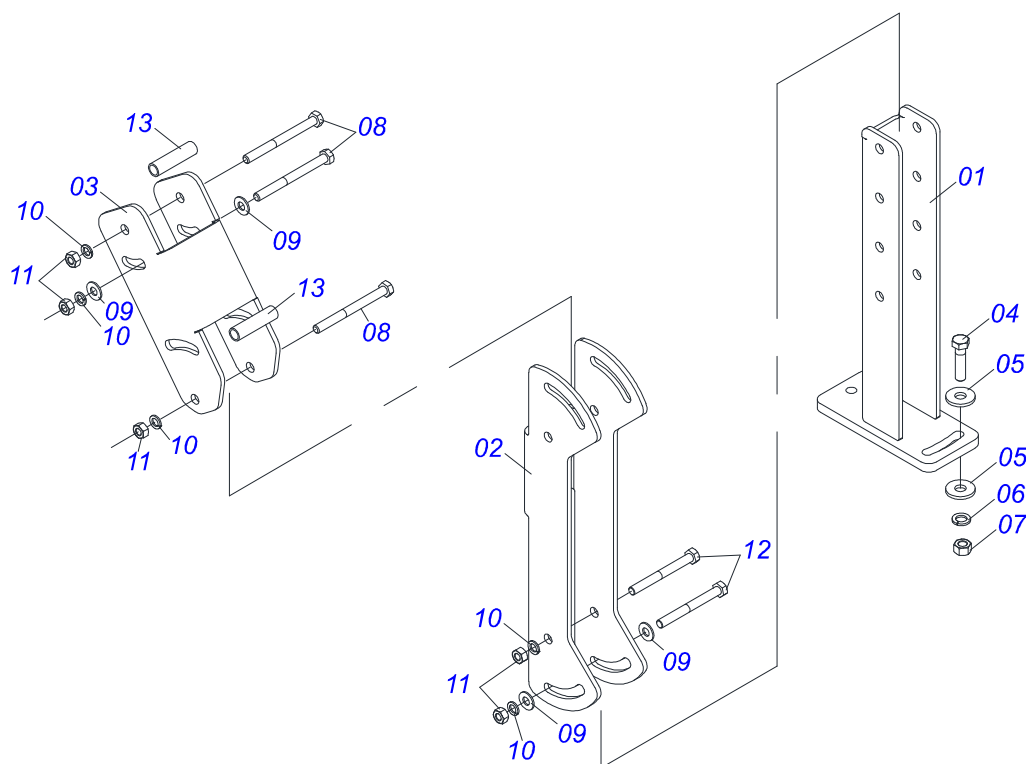
Item	Code	Description	See page	QT
01	0501100416	WOODEN BOX		01
02	0521045393	SET SUPPORT JOY STICK	18	01
03	0521046875	1/2 COMPLETE JOYSTICK CONTROL	19	01
04	0501044434	1" NC X 700 ROD W/NUTS	20	01
05	0521067467	COMMAND SUPPORT		01
06	0571017231	FRONT PROTECTOR		01
07	0521067351	RIGHT FRAME LOCK		01
08	0521067359	LEFT FRAME LOCK		01
09	0521065610	FRONT COVER		01
10	0521065612	BATTERY HOLDER		01
11	0502010097	PUMP SUPPORT		01
12	0581013406	CENTRAL OUTER SHIM		02
13	0571017227	CHASSIS SHIM		02
14	0521067469	EXHAUST ADAPTER		01
15	0531017238	LOCK TRANSPORT		02
16	0501068994	8,30 X 78 LOCK PIN		02
17	0581013410	1.1/4" UNF X 155 BOLT		02
18	0571019101	1.1/4 UNF X 110 BOLT		02
19	0581010243	WASHER HEX		02
20	0521045277	40L PUMP WITH PIPES	21	01
21	0521050292	TANK MOUTH EXTENSION WITH LID		01
21A	0521067432	FUEL FILLER NECK (DIESEL)		01
21B	0503010141	2-226 N 3006-9B O'RING		02
21C	0502020549	TANK COVER		01
22	0581013225	TANK HOLDER 340		01
23	0581013395	HOSE PROTECTION		01
24	0521054138	290 X 1.1/8 SHAFT WITH LOCKING RING		01
24A	0521065607	290 X 1.1/8 STRIATED SHAFT		01
24B	0503010174	501028 CLAMPING RING (FOR AXLE)		02
25	0501067327	COUPLING FLANGE		01
26	0503030838	1-1/8" X 2.4" SLEEVE		01



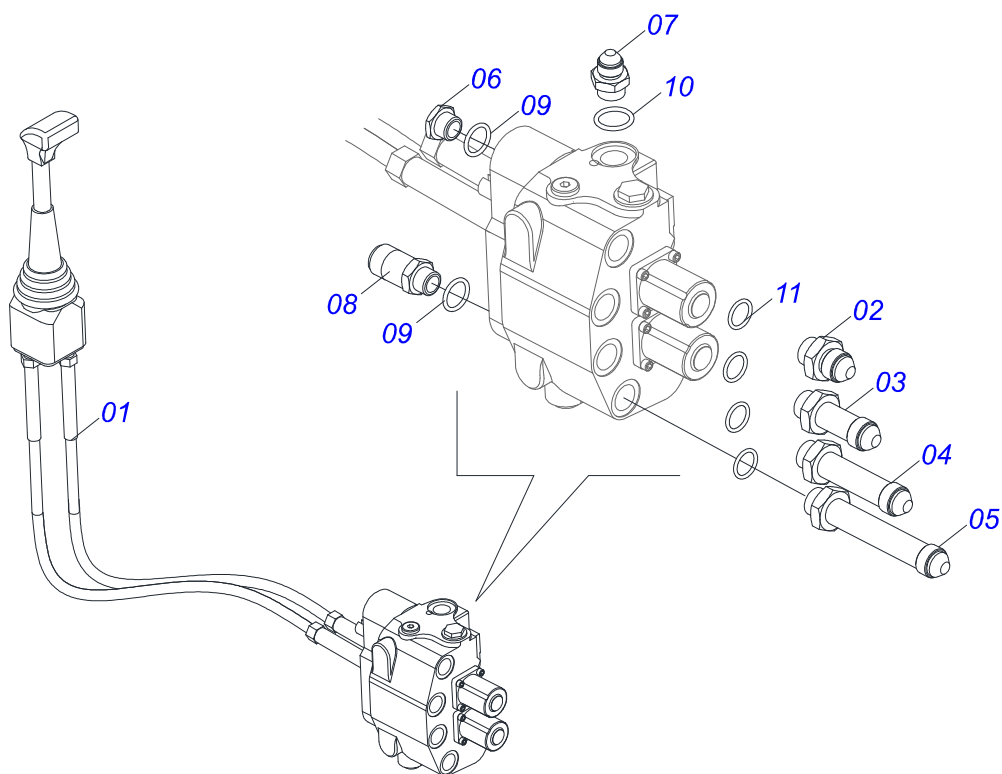
PCA PLUS 1500 VTR A750 SHT CD
BOX WITH COMPONENTS

Page 17
0521022973

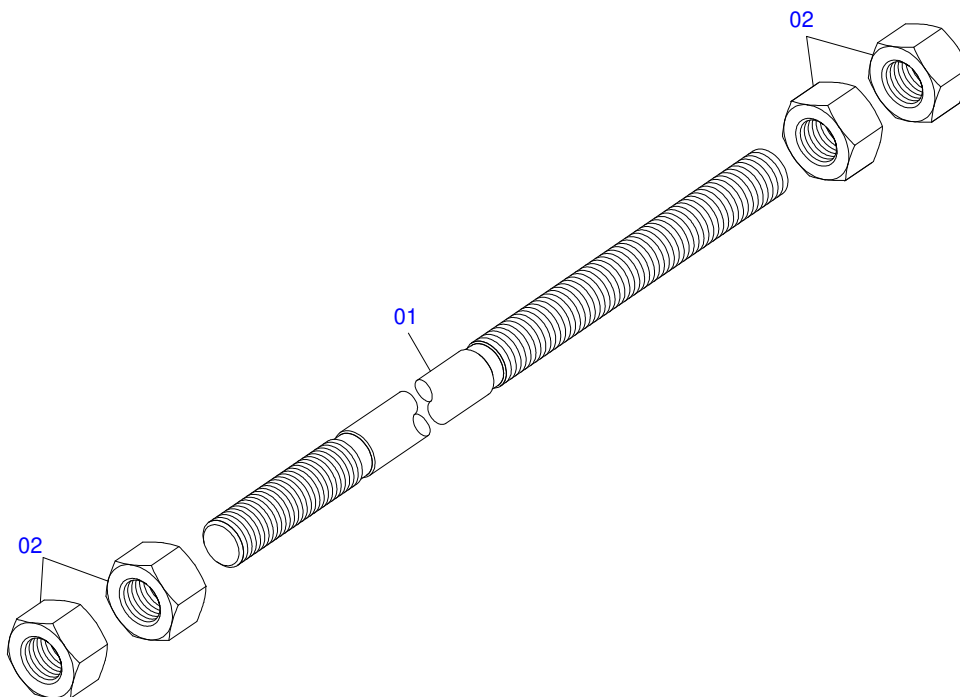
Item	Code	Description	See page	QT
27	0521067470	TANK OUTLET TUBE		01
28	0521046987	FULL OIL RESERVOIR	22	01
29	0581013402	BEATER		02
30	0521050247	R.7/8 LARGER RETURN FILTER	23	01
31	0571017962	FILTER HOLDER		01
32	0502010477	HOSE CLAMP		02
33	0501068213	5/8" WRENCH DOUBLE		01
34	0511010153	2-5/16" FIXED WRENCH		01
35	0521050422	HOSE SET		01
35A	0501080113	1/2 X600 HOSE TR-TC		01
35B	0501081235	1/2 X 650 TR- TC HOSE		01
35C	0501080218	1/2 X 750 HOSE		02
35D	0501014090	1 X 1450 AB-AB HOSE		01
35E	0501013456	1.1/4 X 1600 AB-AB HOSE		01
35F	0501080892	3/4 X 2500 TC-TC HOSE		01
36	0511032510	PACKED PARTS	24	01
37	0503034113	ADHESIVE LABEL		01
38	0521067468	MOBILE HOLDER COUPLING HUB		02
39	0511033668	BAG WITH INSTRUCTION MANUAL		01
40	0581010090	SPRING PROTECTION PLASTIC HOSE		02
41	0581013404	PUMP		02



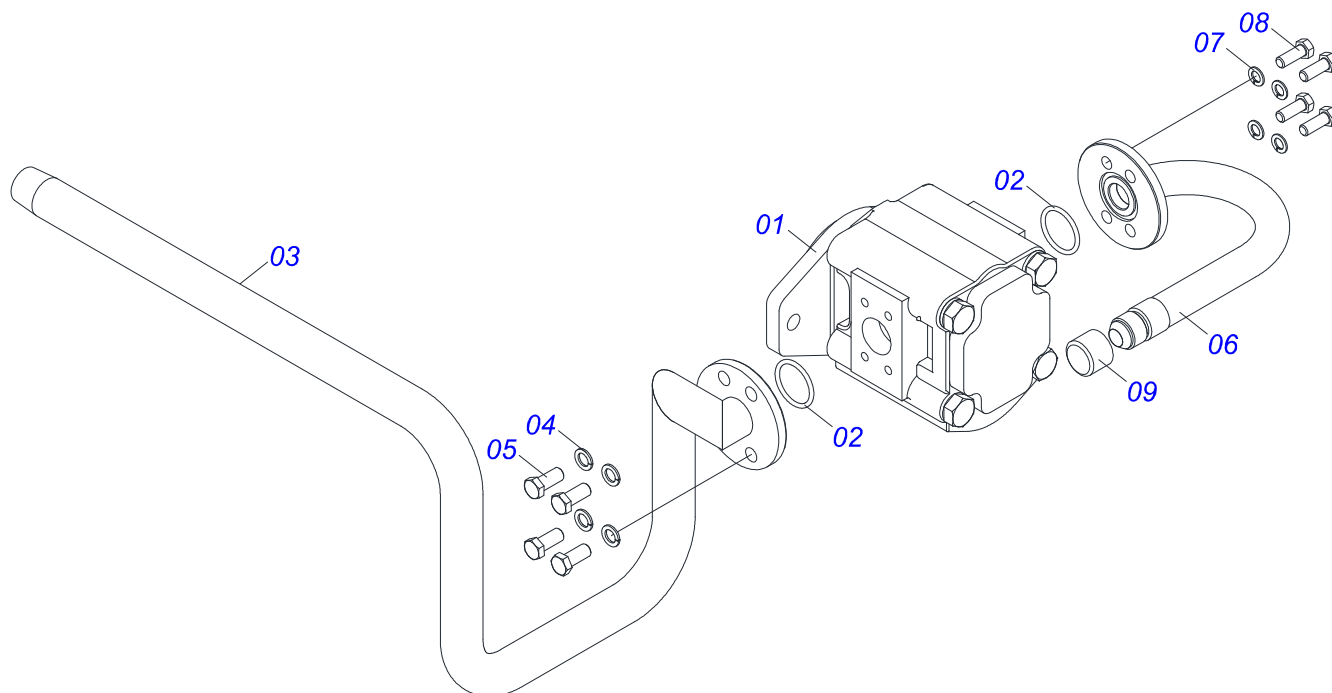
Item	Code	Description	See page	QT
01	0521065789	LOWER JOYSTICK SUPPORT		01
02	0571018376	CENTRAL BODY SUPPLEMENT OF JOYSTICK		01
03	0571018375	SUPERIOR BODY SUPPLEMENT OF JOYSTICK		01
04	0503010849	3/8" X 1-1/2" BOLT		02
05	0501010984	10,50 X 27 X 3,00 FLAT WASHER		02
06	0503010025	3/8 SPRING WASHER		02
07	0503010026	3/8" NUT		02
08	0503010848	5/16" X 3.1/2" BOLT		04
09	0501010694	FLAT WASHER		06
10	0503010179	LOCK WASHER 5/16 ZN 1K01528		06
11	0503010337	5/16" NUT		06
12	0503011053	5/16" X 3" C S 6.5 ZN BOLT		02
13	0541015551	0.39" X 0.512" X 1.9" SLEEVE		02



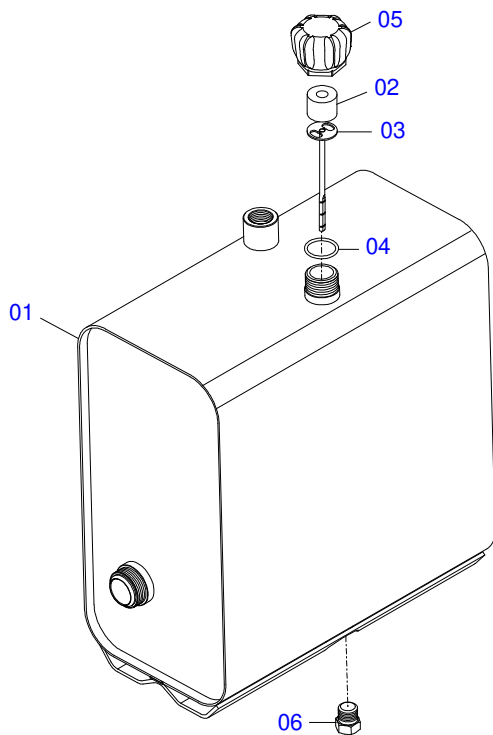
Item	Code	Description	See page	QT
01	0503062624	COMPLETE JOYSTICK CONTROL SDM122/2		01
02	0501010590	NIPPLE		01
03	0581013293	7/8 NF NIPPLE FITTING		01
04	0581013292	R.7/8 NF NIPPLE FITTING		01
05	0581013291	R.7/8 NF NIPPLE FITTING		01
06	0501015335	1.1/16" UN X 22 PLUG		01
07	0581013289	R.1.1/16 UN X 1/2 BSP X 52 VTR A750/85/950		01
08	0581013290	R.1.5/16 X R.1.1/16 X 90 SEXT 1.1/2 NIPLE VTR A750		01
09	0503011109	2-119 N 3006-9B O'RING		02
10	0503010045	O'RING		01
11	0503010190	2-114 N 3006-9B O'RING		04



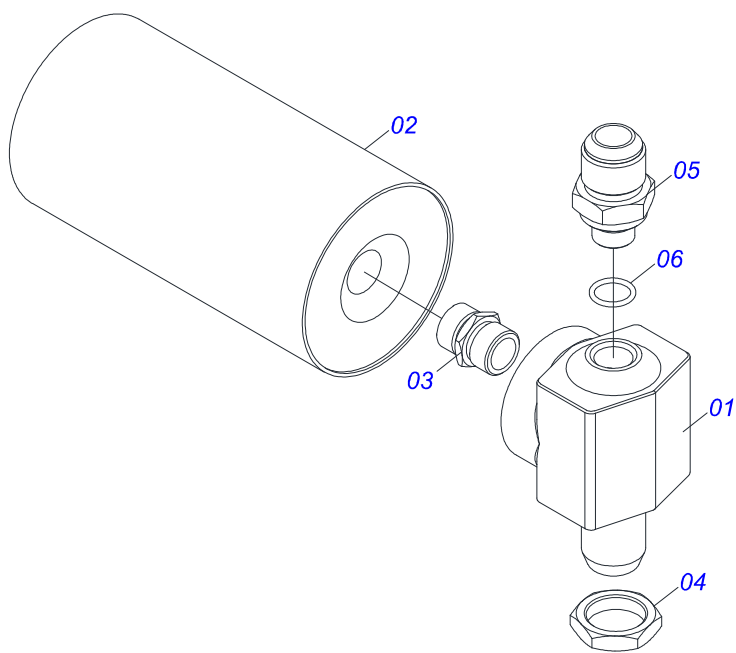
Item	Code	Description	See page	QT
01	0501014753	1" NC X 700 ROD		01
02	0501010087	1.1/4" NUT		04



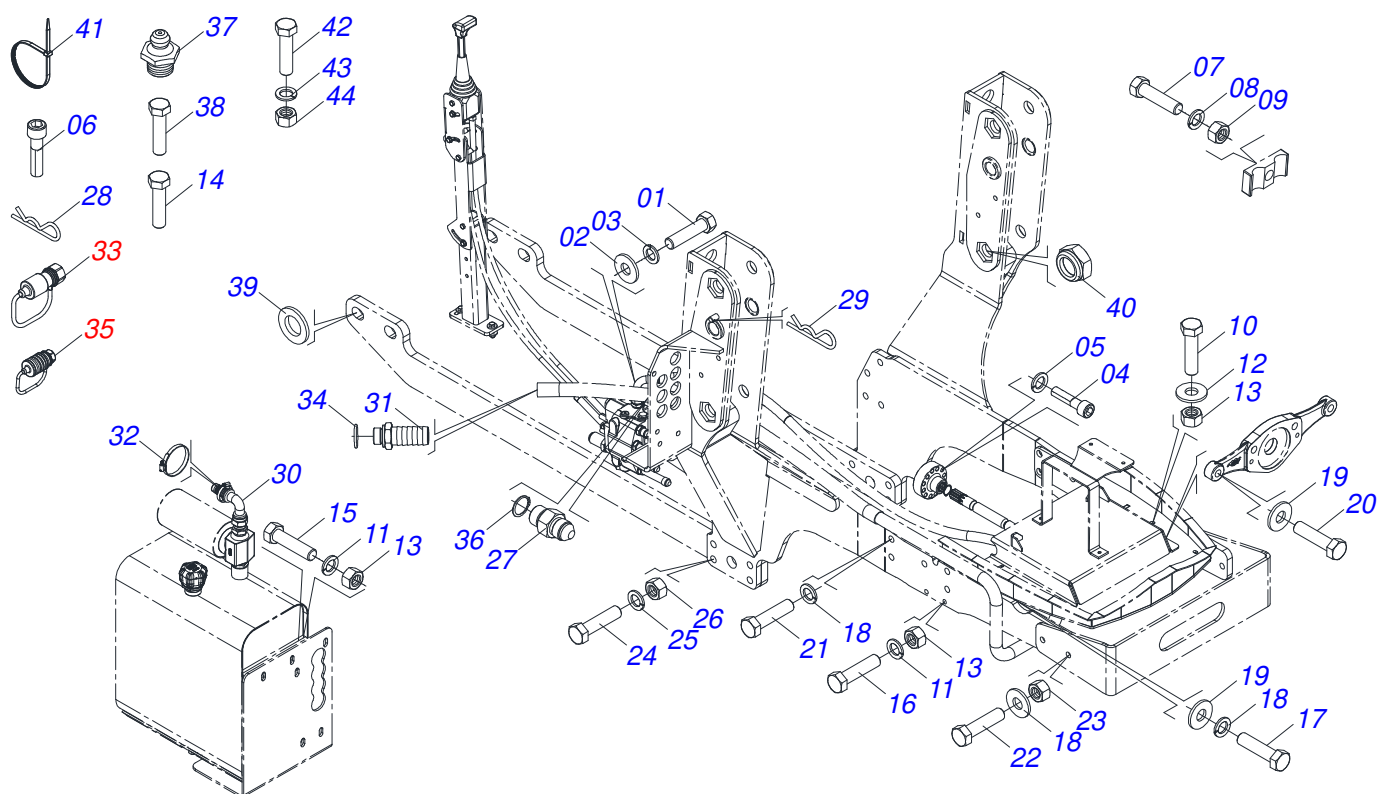
Item	Code	Description	See page	QT
01	0503060153	40L 1/2" PUMP		01
02	0503010173	2-220 N 3006-9B O'RING		02
03	0521065608	SUCTION DUCT PCA VTR A750/A950		01
04	0503010180	7/16" SPRING WASHER		04
05	0503010355	7/16" X 1" BOLT		04
06	0521065615	PUMP PRESSURE LINE		01
07	0503010025	3/8 SPRING WASHER		04
08	0503011087	3/8" X 1" BOLT		04
09	0503030388	PLUG N-005		01



Item	Code	Description	See page	QT
01	0501068880	OIL RESERVOIR		01
02	0503030044	FILTERING ELEMENT		01
03	0501060975	OIL GAGE		01
04	0503010185	2-221 N 3006-9B O'RING		01
05	0502020472	FRONTAL COVER		01
06	0503031604	1/2" BSP PLUG		01



Item	Code	Description	See page	QT
01	0581013367	RETURN FILTER HEAD R.7/8		01
02	0503010183	RETURNING FILTER		01
03	0501010595	1" NF NIPPLE FITTING		01
04	0501010594	1" NUT		01
05	0581013366	R.1.5/16 X R.7/8 X 64 SEXT 1.1/2 NIPPLE FITTING		01
06	0503010045	O'RING		01



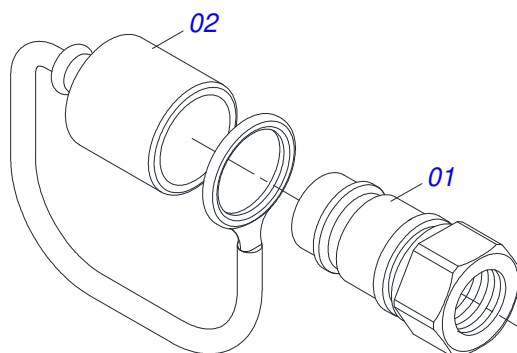
Item	Code	Description	See page	QT
01	0503016506	5/16 UNC X 3/4 C S G.5 ZN BOLT	08	
02	0501010694	FLAT WASHER	08	
03	0503010179	LOCK WASHER 5/16 ZN 1K01528	08	
04	0503011313	M 8 X 1,25 X 50 BOLT	06	
05	0503010025	3/8 SPRING WASHER	06	
06	0503010728	M10 X 1.2" BOLT	02	
07	0503011173	7/16" X 2" BOLT	01	
08	0503010180	7/16" SPRING WASHER	01	
09	0503010244	7/16" NUT	01	
10	0501010161	1/2" X 1.1/4" BOLT	03	
11	0503010019	1/2" SPRING WASHER	17	
12	0511017302	FLAT WASHER 13,50 X 32,50 X 3,0 ZN	07	
13	0503010060	1/2 UNC G.5 ZN HEX NUT	12	
14	0503010395	1/2" X 1-1/4" BOLT	02	
15	0503014734	BOLT	05	
16	0503010479	BOLT	04	
17	0503010148	M16 X 2 X 40 BOLT	02	
18	0503010027	5/8 SPRING WASHER	24	
19	0501012140	FLAT WASHER	06	
20	0503011188	M16 X 2 X 50 BOLT	02	
21	0503011730	M16 X 2 X 60 BOLT	20	
22	0501010100	SCREW 5/8 UNC X 2 CS G.5 ZN	04	
23	0503010013	5/8 NUT	04	
24	0501010500	3/4" X 3" BOLT	08	
25	0503010023	3/4" SPRING WASHER	08	
26	0503010014	3/4" HEX NUT	08	
27	0511014065	7/8" NF X R1/2NPT X 52 NIPPLE	08	
28	0503030168	HITCH PIN CLIP	02	
29	0503030012	HITCH PIN CLIP	02	
30	0503018722	JIC CURVE TERMINAL FOR HOSE 1"	02	
31	0581013403	R.1.1/6 UNC HOSE NOZZLE FOR 1.1/4 HOSE	01	



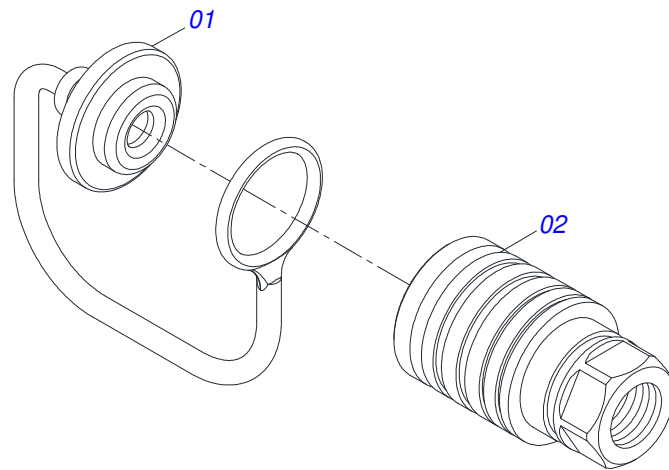
PACKED PARTS

0511032510

Item	Code	Description	See page	QT
32	0503010243	CLAMP		04
33	0501053834	MALE QUICK COUPLER	25	04
34	0503011109	2-119 N 3006-9B O'RING		01
35	0501053835	FEMALE QUICK COUPLER	26	04
36	0503010217	501040 CLAMPING RING (FOR AXLE)		08
37	0503010002	1800 GREASE FITTING		02
38	0501010155	1/2" X 1" BOLT		04
39	0521011132	FLAT WASHER		02
40	0503010044	1-1/4" SELF LOCKING NUT		04
41	0503013527	CLAMP ZIPER		10
42	0503017866	3/16" X 1,1/2" BOLT		01
43	0503010668	3/16" SPRING WASHER		01
44	0503010667	3/16" NUT		01



Item	Code	Description	See page	QT
01	0503011627	MALE QUICK COUPLER AGR 1/2 NPT		01
02	0503011882	MALE QUICK COUPLER CAP		01



Item	Code	Description	See page	QT
01	0503011883	QUICK CONNECTION COVER		01
02	0503011628	FEMALE QUICK COUPLER		01



MARCHESAN

Technical Publications | Elaboration and Revision

LORENA ROCHA ALVES

www.marchesan.com.br

