

PD - FRONT LOADER

PD MF 6711/6712/6713 BT CDC JS

Code: 0501093513

Series: S-0418

Revision: 00

Date Revision: ABRIL/2023

PARTS CATALOGUE



MARCHESAN



PRODUCTS

Code	Description
0106030430	PD MF 6711/6712/6713 BT CDC JS S-0418

ATTENTION: IMPORTANT

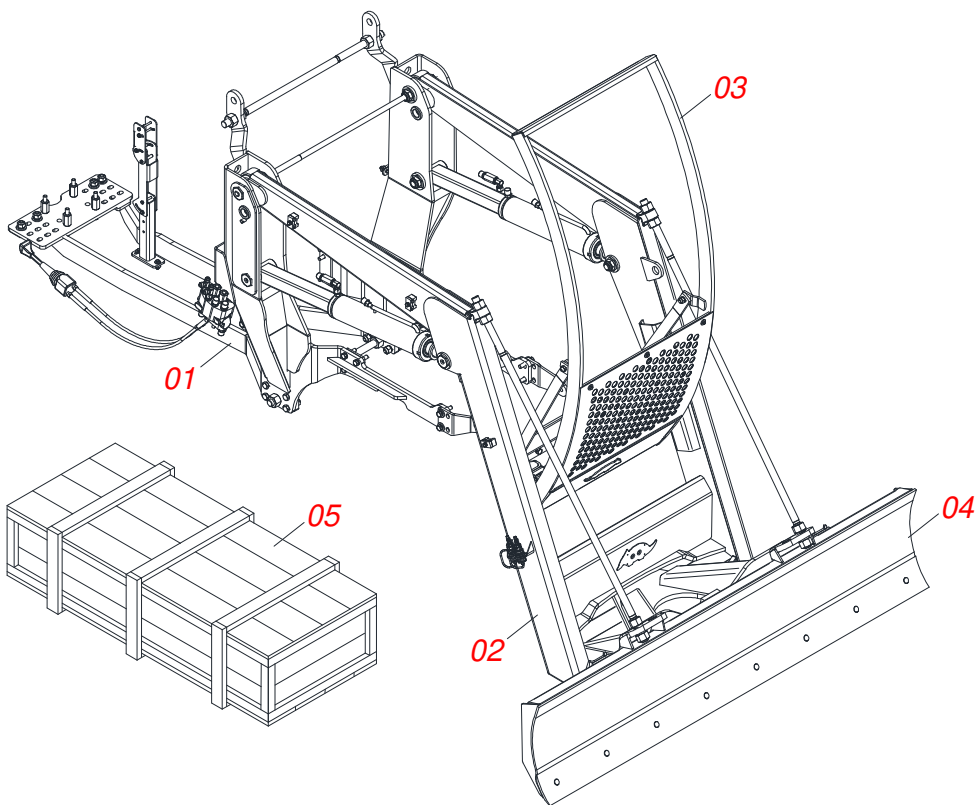
Marchesan S.A. reserves the right to improve and/or modify the technical features of its products, without obligation to do the same with those products already sold and without prior knowledge of the dealer or the customer. The photos are only illustrative.



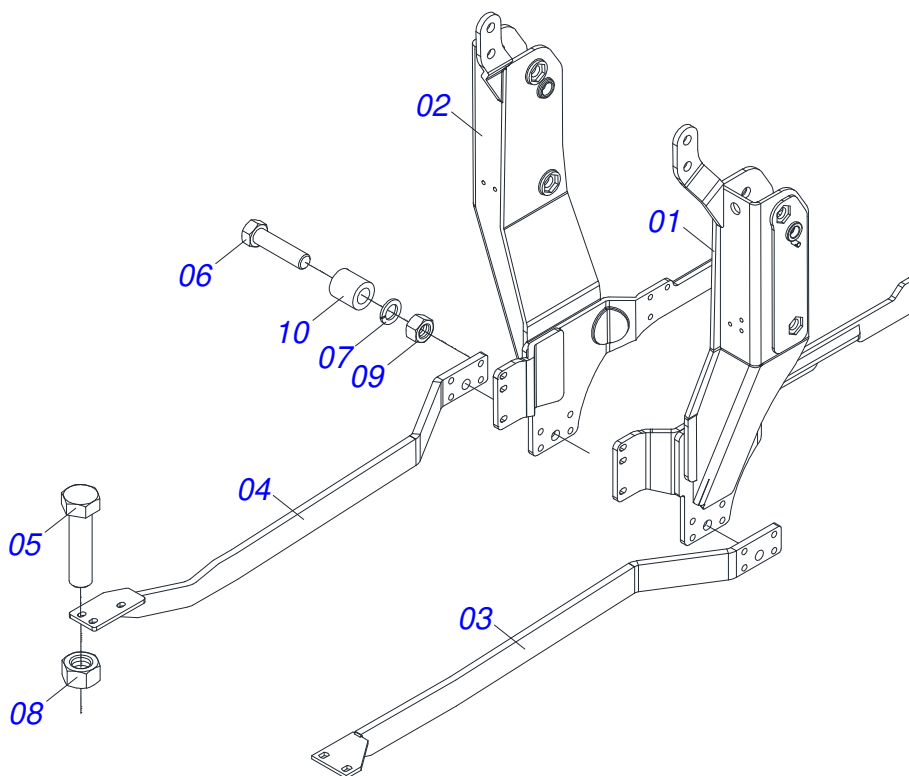
MARCHESAN

INDEX

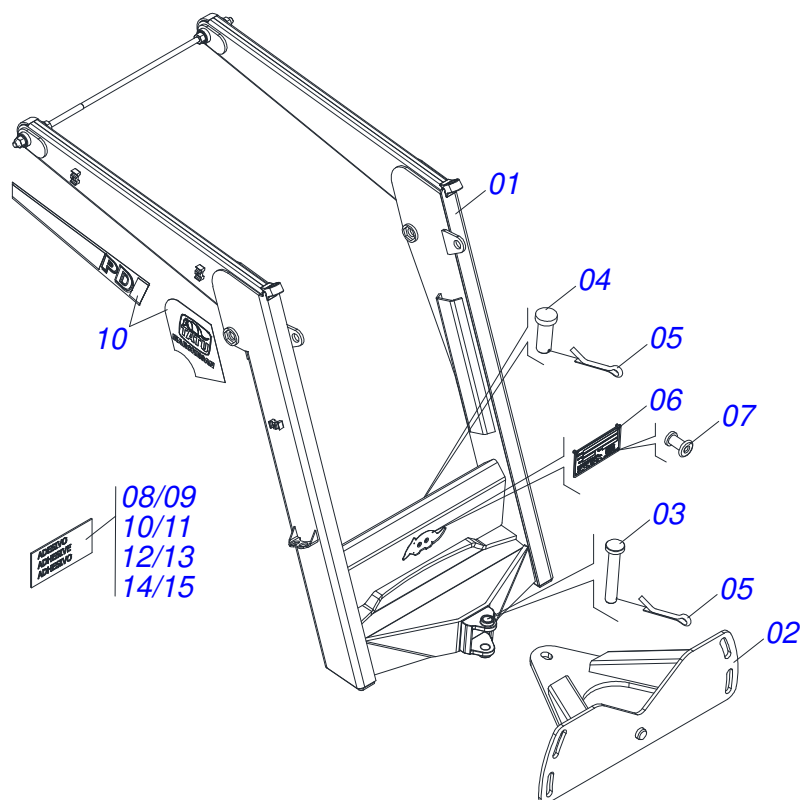
0106030430	PD MF 6711/6712/6713 BT CDC JS S-0418	1
0521047934	FRAME ASSEMBLY WITH DRAWBAR	2
0521047902	MOBILE SUPPORT ASSY	3
0501048330	MOBILE SUPPORT GUIDE ASSY	4
0511047750	2400 SCRAPER ASSY WITH STABILIZER BRACKET	5
0521024226	BOX WITH COMPONENTS	6
0521047926	1/2" COMMAND	7
0531044005	SET SUPPORT JOY STICK	8
0521047923	ROD	9
0511043351	1.1/4" X 40" ROD	10
0521047924	ROD	11
0521051546	HYDRAULIC CYLINDER	12
0511057771	R.7/8UNF - SAFETY VALVE	13
0521052691	HOSE SET	14
0511033077	PACKAGED PARTS	15
0501053835	FEMALE QUICK COUPLER	16



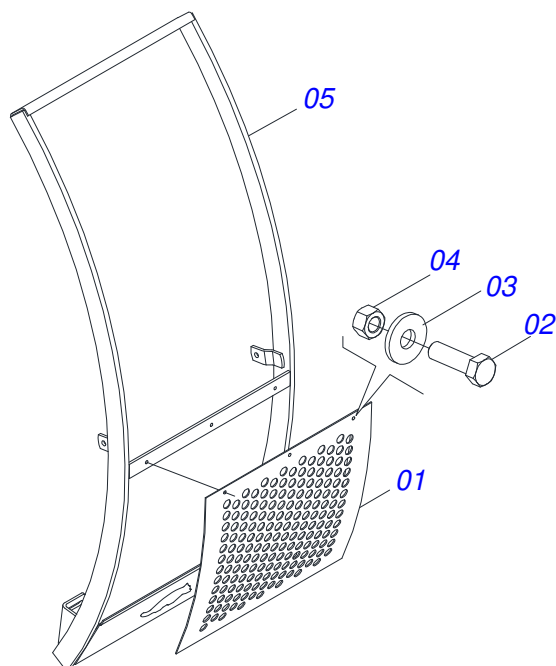
Item	Code	Description	See page	QT
01	0521047934	FRAME ASSEMBLY WITH DRAWBAR	2	01
02	0521047902	MOBILE SUPPORT ASSY	3	01
03	0501048330	MOBILE SUPPORT GUIDE ASSY	4	01
04	0511047750	2400 SCRAPER ASSY WITH STABILIZER BRACKET	5	01
05	0521024226	BOX WITH COMPONENTS	6	01



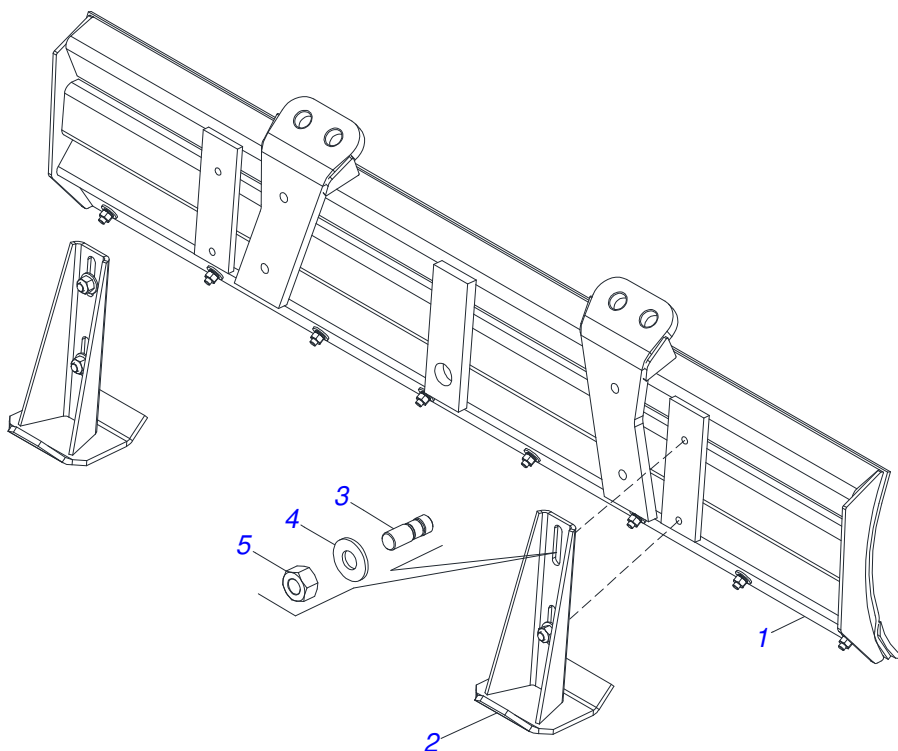
Item	Code	Description	See page	QT
01	0521068518	RIGHT FRAME		01
02	0521068515	LEFT FRAME		01
03	0521068622	RIGHT BAR		01
04	0521068621	LEFT BAR		01
05	0503010233	5/8" X 2-1/2" BOLT		02
06	0503011084	3/4" X 5" BOLT		04
07	0503010023	3/4" SPRING WASHER		04
08	0503010013	5/8 NUT		02
09	0503010014	3/4" HEX NUT		04
10	0581015170	SLEEVE		04



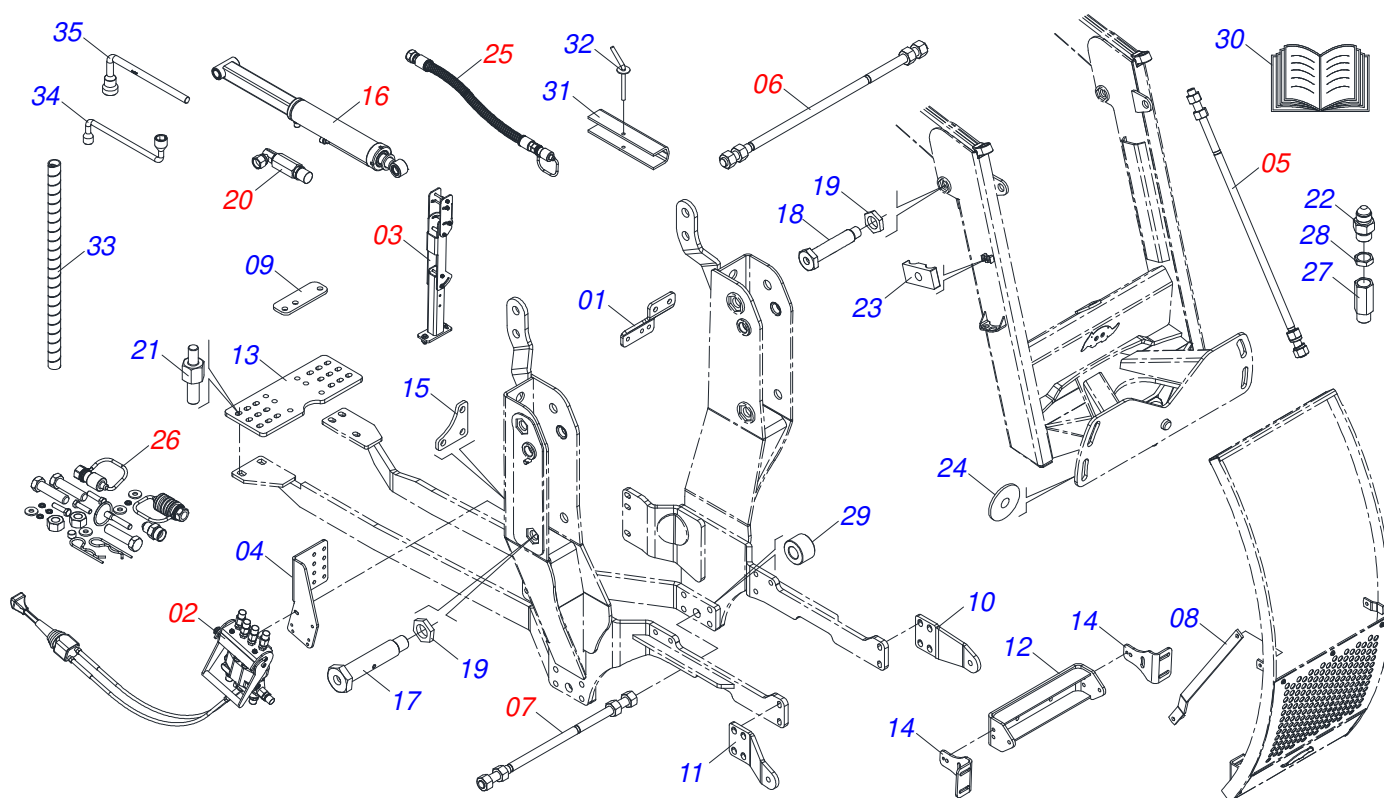
Item	Code	Description	See page	QT
01	0521068513	MOBILE SUPPORT		01
02	0501062637	5/8" REGULATOR SUPPORT		01
03	0521010618	1.4" X 8.6" COUPLING SHAFT		01
04	0521010612	1.4" X 3.5" COUPLING SHAFT		01
05	0503010010	1/4" X 2.1/2" COTTERPIN		02
06	0503034003	SERIAL NUMBER TAG 61 X 118		01
07	0503010001	3.2 X 5.5 RIVET		04
08	0503031428	READ MANUAL DECAL		01
09	0503031827	LUBRICATE AND RETIGHTEN DAILY DECAL		01
10	0503064056	ADHESIVE LABEL SET		01
11	0503034078	LIFTING POINTS DECAL		01
12	0503031087	ADHESIVE LABEL		01
13	0503036238	ADHESIVE LABEL SAFETY LOCKING HYDRAULIC CYLINDERS		01
14	0503036239	ADHESIVE LABEL ATTENTION FLUIDS WITH PRESSURE		01
15	0503036241	ADHESIVE LABEL SAFETY CAUTION SHOCK HAZARD		01



Item	Code	Description	See page	QT
01	0501014686	FRONT PROTECTION		01
02	0503010751	C3/8" X 1.1/4" HEX BOLT G.5		03
03	0501010984	10,50 X 27 X 3,00 FLAT WASHER		03
04	0503010026	3/8" NUT		03
05	0521064583	MOBILE SUPPORT GUIDE		01



Item	Code	Description	See page	QT
01	0501047708	2400 BLADE SUPPORT		01
02	0501063411	ESTABILIZER BRACKET		02
03	0561016756	3/4 UNC X 3/4 UNC X 56 PRISONER		04
04	0501010322	FLAT WASHER		04
05	0503010014	3/4" HEX NUT		04



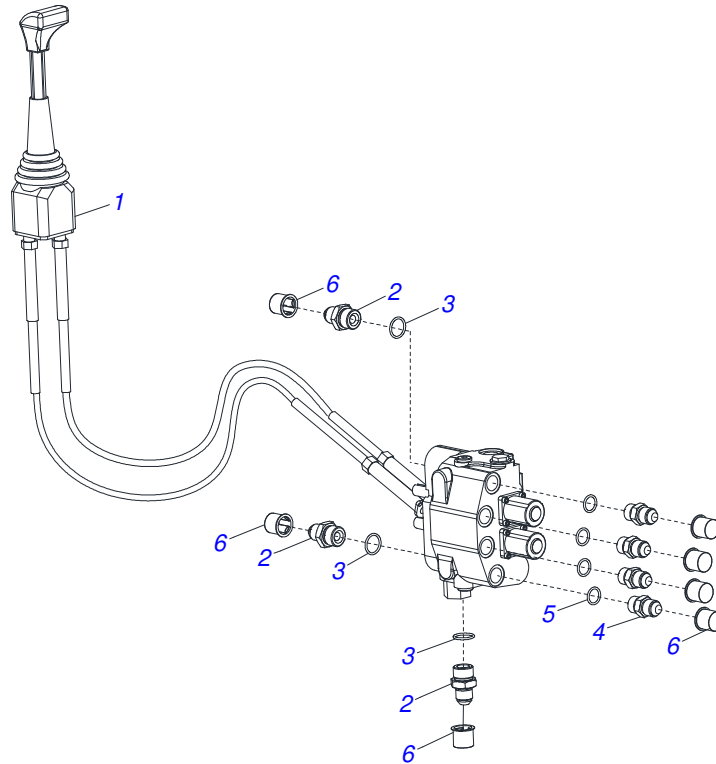
Item	Code	Description	See page	QT
01	0501217918	DIESEL OIL FILTER FIXING SUPPORT		01
02	0521047926	1/2" COMMAND	7	01
03	0531044005	SET SUPPORT JOY STICK	8	01
04	0501217763	CONTROL FIXING BASE		01
05	0521047923	ROD	9	02
06	0511043351	1.1/4" X 40" ROD	10	01
07	0521047924	ROD	11	01
08	0581016771	FRENCH HAND		02
09	0501218117	BACK SHIM		02
10	0501217920	RIGHT STOP		01
11	0501217919	LEFT STOP		01
12	0521068534	580 MOBILE SUPPORT GUIDE FIXER		01
13	0501217915	BACK PLATE FIXING FRAME		01
14	0571010158	FIXER GUIDE MOBILE SUPPORT		02
15	0501218129	SPACER SHIMS RIGHT LEFT FRAME		02
16	0521051546	HYDRAULIC CYLINDER	12	02
17	0501218077	1.1/4 UNF X 178 BOLT		04
18	0501219692	1.1/4 UNF X 98 BOLT		02
19	0501216423	WASHER HEX 37,8 X 58 X 9,50		06
20	0511057771	R.7/8UNF - SAFETY VALVE	13	02
21	0581016773	STUD		04
22	0561018342	1" NF NIPPLE		01
23	0502010477	HOSE CLAMP		03
24	0501010574	FLAT WASHER		04
25	0521052691	HOSE SET	14	01
26	0511033077	PACKAGED PARTS	15	01
27	0581016628	ADAPTER BODY		01
28	0581016949	LOCKNUT		01
29	0581017017	SLEEVE		04
30	0511033668	BAG WITH INSTRUCTION MANUAL		01
31	0501217728	LOCK FOR TRANSPORTATION		02



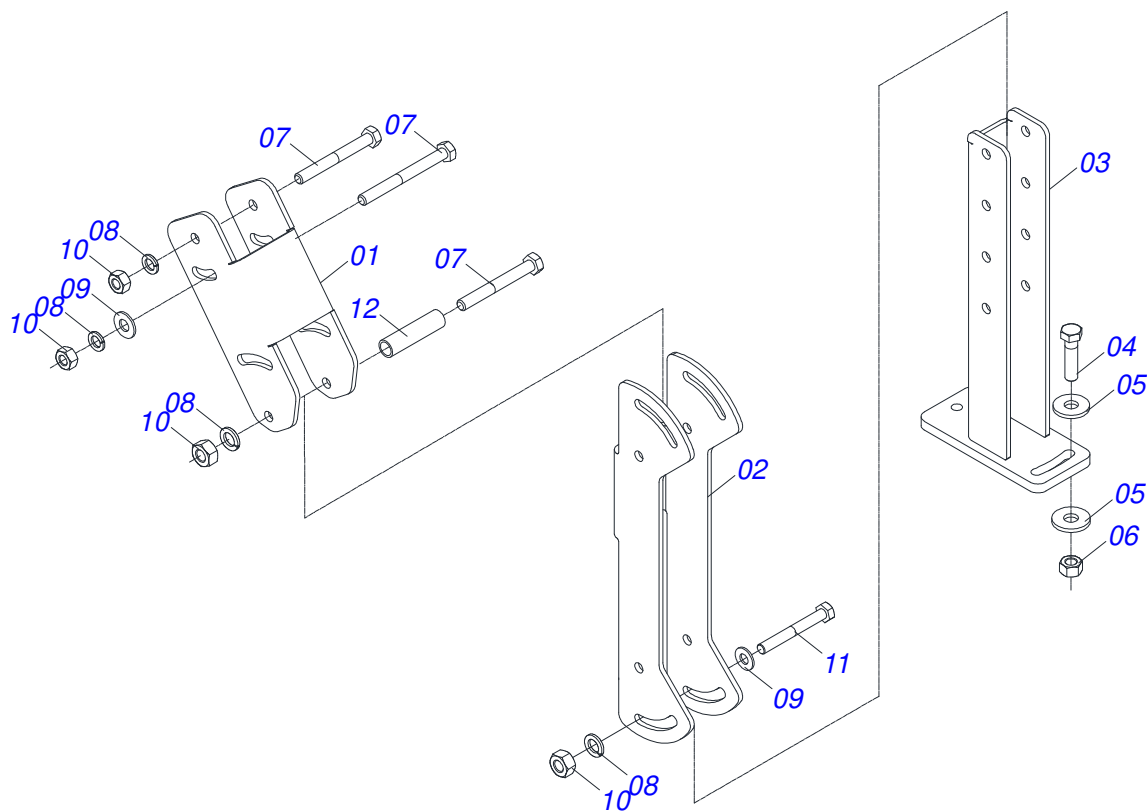
BOX WITH COMPONENTS

0521024226

Item	Code	Description	See page	QT
32	0501068994	8,30 X 78 LOCK PIN		02
33	0581010090	SPRING PROTECTION PLASTIC HOSE		02
34	0501068213	5/8" WRENCH DOUBLE		01
35	0501061617	1" GANG BOLT WRENCH		01

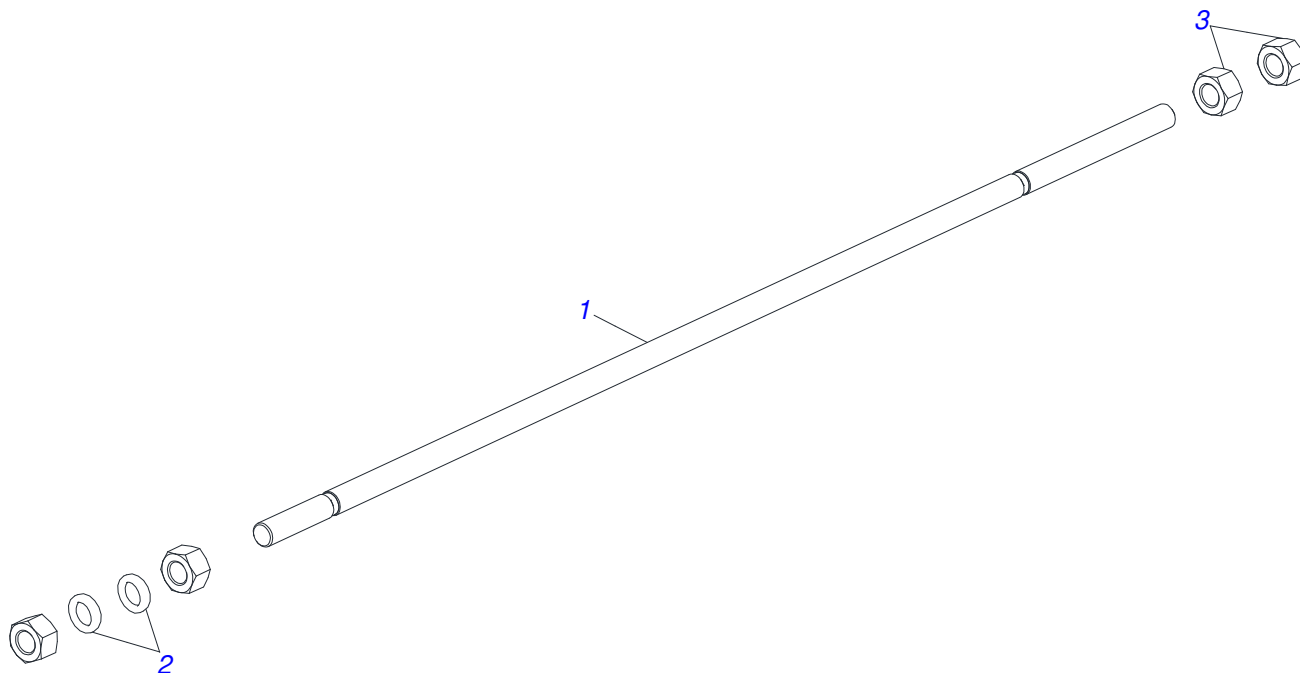


Item	Code	Description	See page	QT
001	0503062415	COMPLETE JOYSTICK CONTROL SDM122/2	01	01
002	0511018014	7/8"NF X 1.1/16 UN NIPPLE	03	03
003	0503011109	2-119 N 3006-9B O'RING	03	03
004	0501010590	NIPPLE	04	04
005	0503010045	O'RING	04	04
006	0503030387	PLUG	07	07

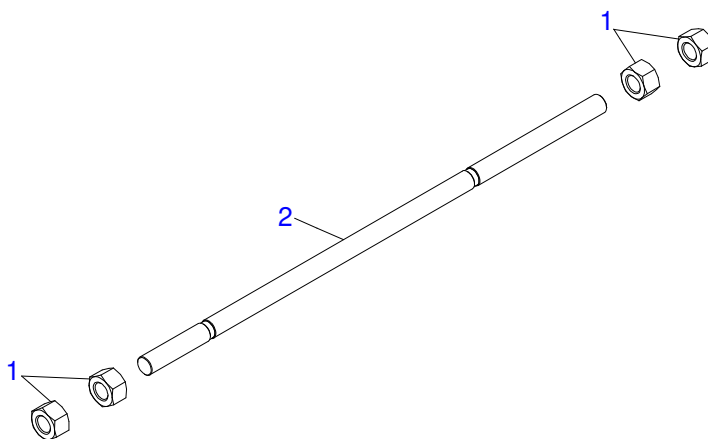


Item	Code	Description	See page	QT
01	0501217764	UPPER BODY JOYSTICK SUPPORT		01
02	0501217765	CENTRAL BODY JOYSTICK SUPPORT		01
03	0531065170	JOYSTICK BOTTOM SUPPORT		01
04	0503010849	3/8" X 1-1/2" BOLT		02
05	0501010984	10,50 X 27 X 3,00 FLAT WASHER		04
06	0503010026	3/8" NUT		02
07	0503010848	5/16" X 3.1/2" BOLT		04
08	0503010179	LOCK WASHER 5/16 ZN 1K01528		06
09	0501010694	FLAT WASHER		06
10	0503010337	5/16" NUT		06
11	0503011053	5/16" X 3" C S 6.5 ZN BOLT		02
12	0541015551	0.39" X 0.512" X 1.9" SLEEVE		02

ROD

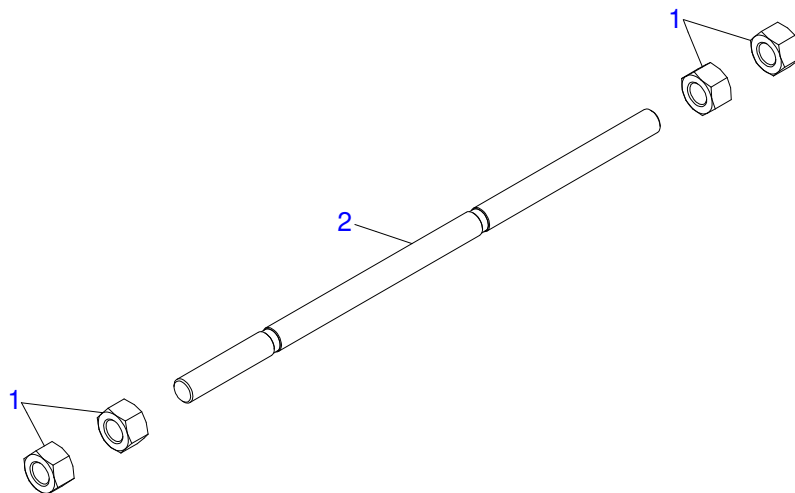


Item	Code	Description	See page	QT
01	0581016637	ROD		01
02	0502012180	CONICAL SPRING WASHER		02
03	0501010087	1.1/4" NUT		04

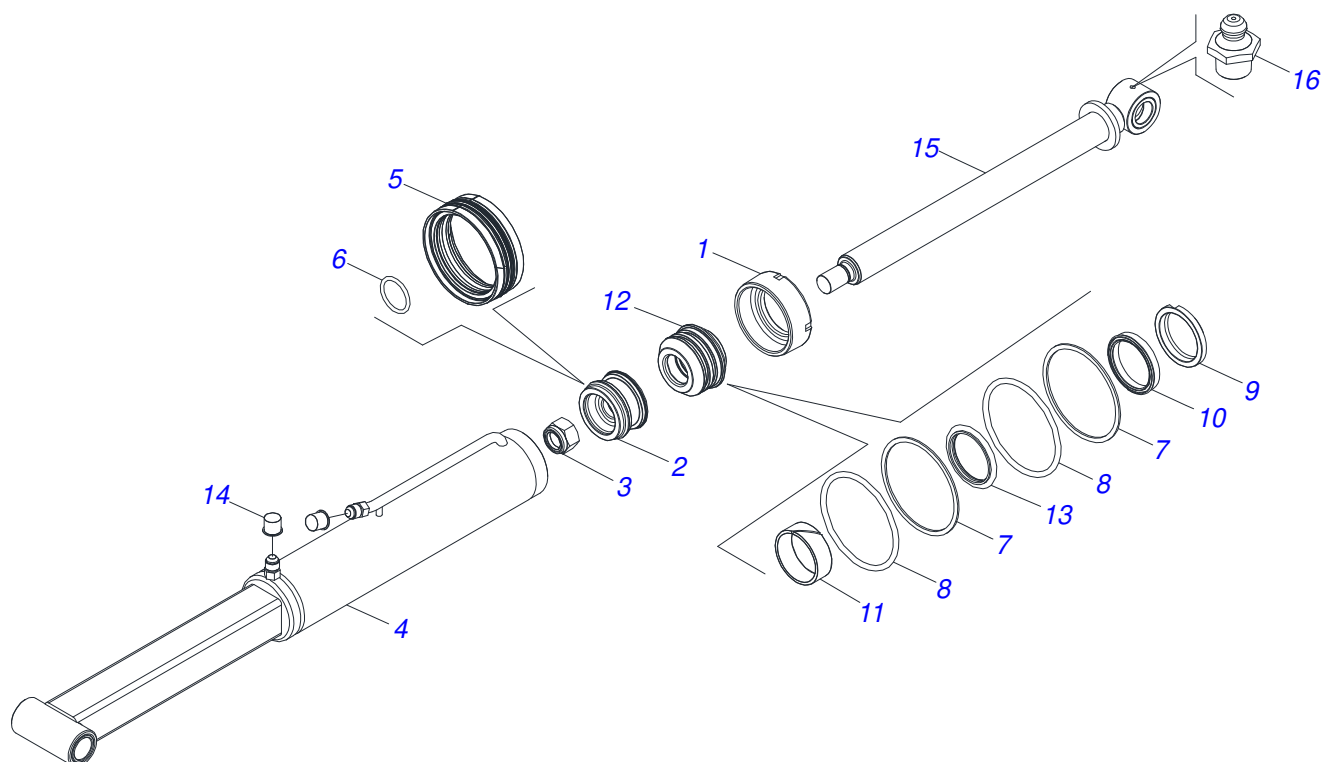


Item	Code	Description	See page	QT
01	0501010087	1.1/4" NUT		04
02	0541015018	ROD 1.1/4 NC X 1000		01

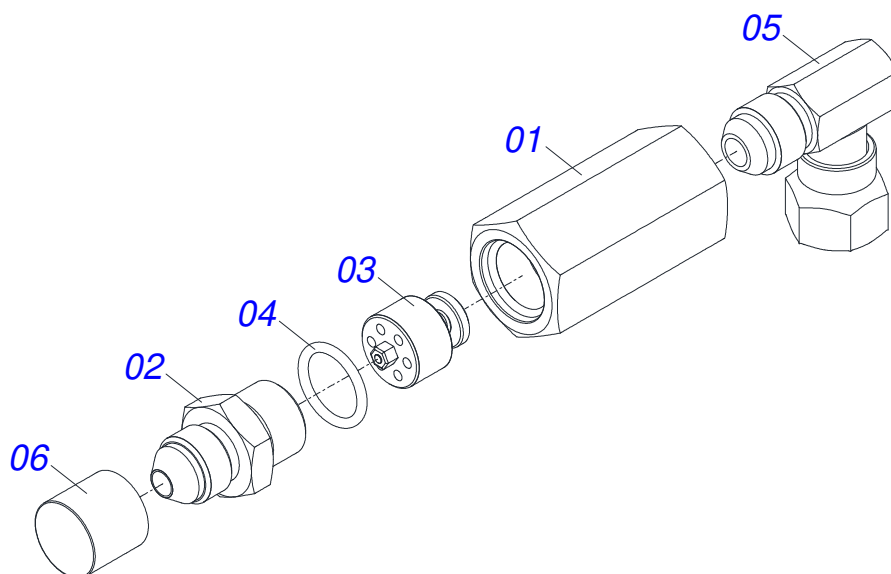
ROD



Item	Code	Description	See page	QT
01	0501010087	1.1/4" NUT		04
02	0581016870	ROD		01

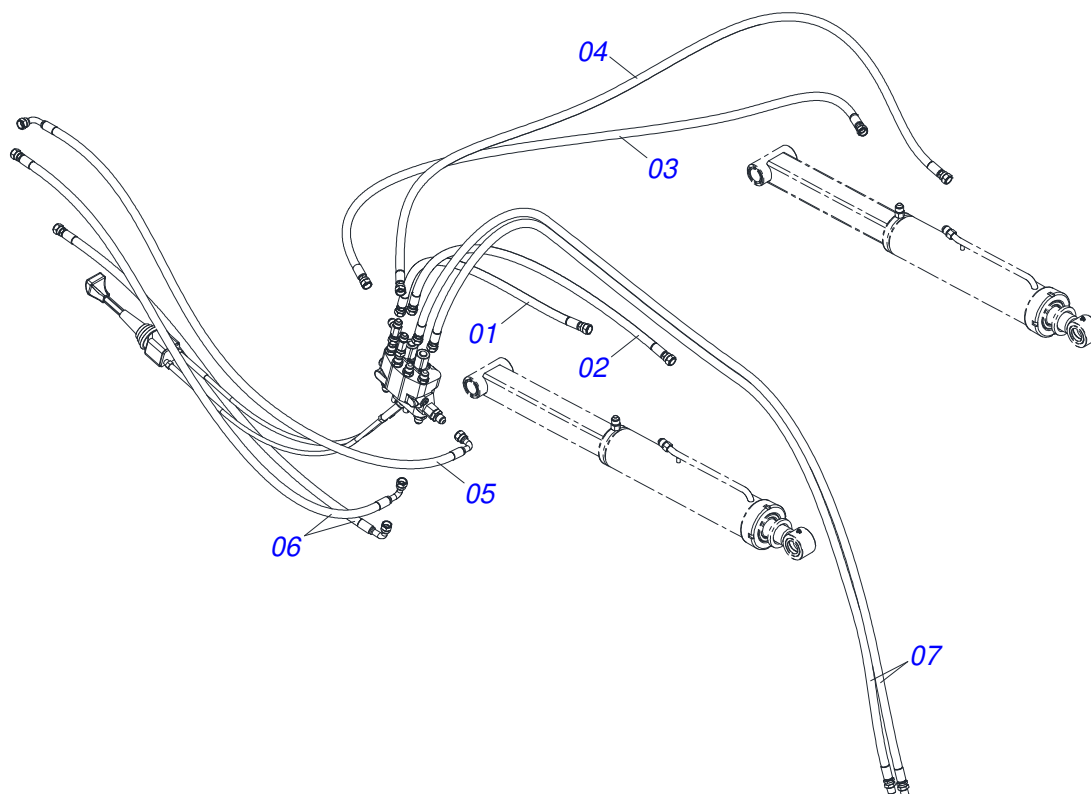


Item	Code	Description	See page	QT
01	0502012822	101.60 END CAP		01
02	0502012842	50,80 X 101,60 PISTON		01
03	0503010817	1.1/4" SELF LOCKING NUT		01
04	0511071242	CYLINDER CASE		01
05	0503015633	SELEMASTER SEALING		01
06	0503018029	2-217 O'RING		01
07	0503011061	8-342 BACK-UP RING		02
08	0503010338	2-342 N 3006-9B O'RING		02
09	0503010039	D-2000 SCRAPER RING		01
10	0503018026	1870-2000-375 B GASKET		01
11	0503018025	RING GUIDE		01
12	0502012821	50.80 X 101.60 RING SUPPORT		01
13	0503018024	RING BS		01
14	0503030387	PLUG		02
15	0521068050	TURNBUCKLE		01
16	0503010002	1800 GREASE FITTING		01
17	0511032211	CYLINDER REPAIR KIT 50.80 X 101.60		

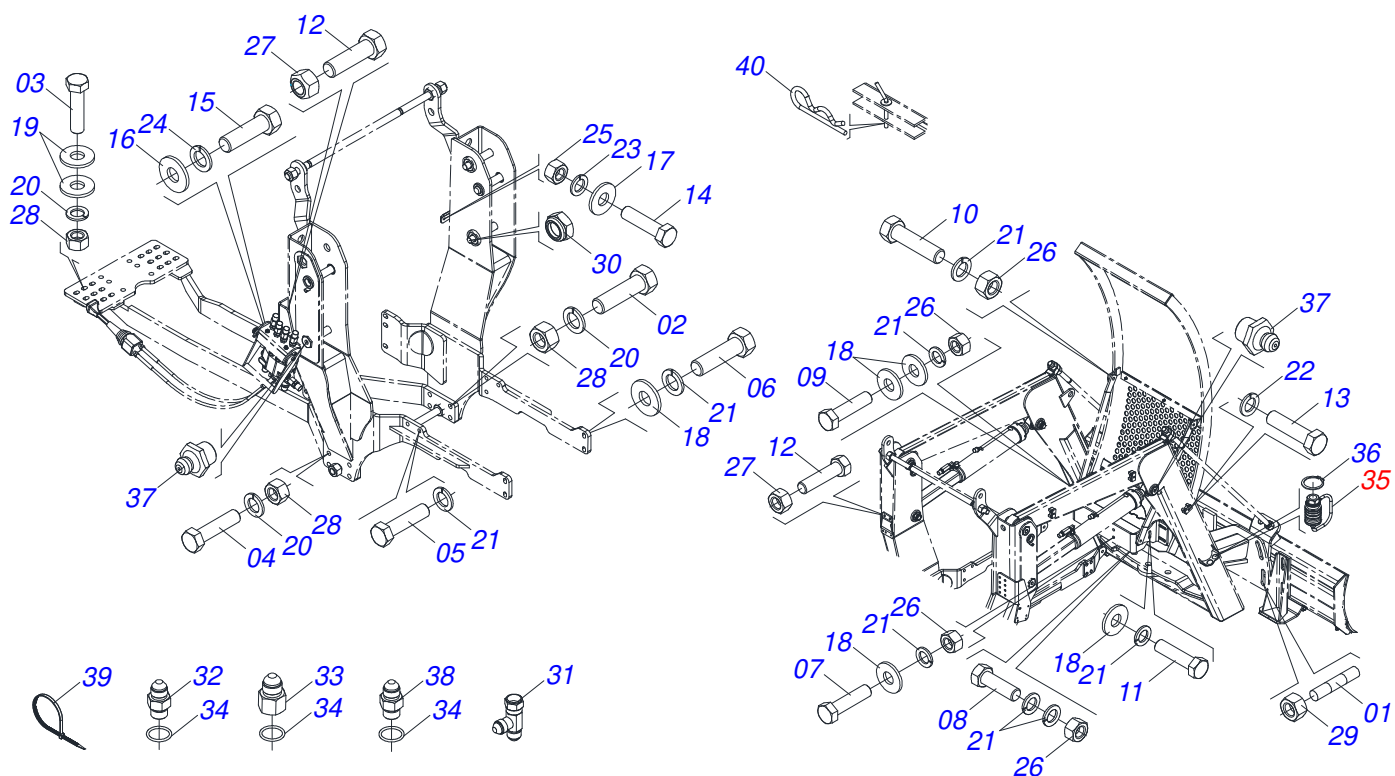


Item	Code	Description	See page	QT
01	0503018033	37 X R.7/8 UNF 90° JIC MALE CONNECTOR WITH ROTATING NUT		01
02	0581014053	1/2 BSP X 7/8 UNF JIC X 64 ADAPTER		01
03	0503016854	VALVE ASSY		01
04	0503010045	O'RING		01
05	0581014052	1/2 BSP X 7/8 UNF JIC X 43 NIPLE		01
06	0503030387	PLUG		01

HOSE SET



Item	Code	Description	See page	QT
01	0501080197	1/2" X 45" TR-TR HOSE		01
02	0501080171	1/2" X 57" TR-TR HOSE		01
03	0501080307	1/2" X 84" TR-TR HOSE		01
04	0501080336	1/2" X 96" TR-TR HOSE		01
05	0501080273	1/2" X 106" HOSE TC-TC		01
06	0501080272	1/2" X 106" TR-TC HOSE		02
07	0501081384	1/2" X 114" TR-TM HOSE		02



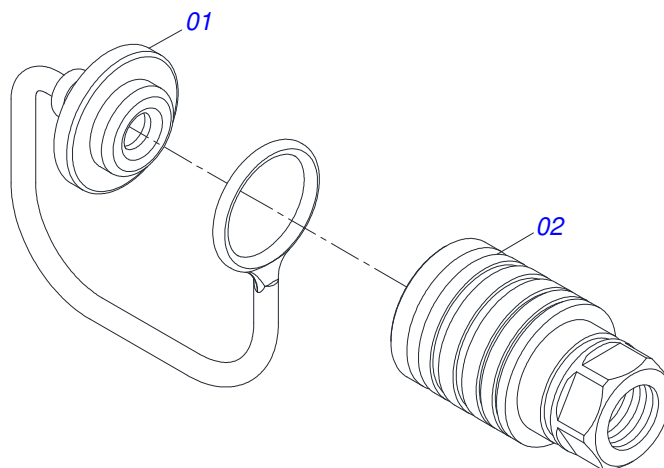
Item	Code	Description	See page	QT
01	0561016755	PRISONER 1 UNC X 1 UNC X 76 ZN		04
02	0503011084	3/4" X 5" BOLT		04
03	0501010500	3/4" X 3" BOLT		08
04	0503013390	3/4" UNC BOLT		04
05	0503012573	M16 X 2 X 65 BOLT		12
06	0503019419	BOLT		04
07	0503011188	M16 X 2 X 50 BOLT		04
08	0503010233	5/8" X 2-1/2" BOLT		02
09	0503010899	5/8 UNC X 2.1/4 BOLT		04
10	0501010100	SCREW 5/8 UNC X 2 CS G.5 ZN		02
11	0503011243	5/8" X 2" BOLT		02
12	0501010063	1/2" X 1-1/2" BOLT		04
13	0503011135	BOLT		03
14	0503010849	3/8" X 1-1/2" BOLT		02
15	0503016506	5/16 UNC X 3/4 C S G.5 ZN BOLT		04
16	0501010694	FLAT WASHER		04
17	0501010984	10,50 X 27 X 3,00 FLAT WASHER		02
18	0501012140	FLAT WASHER		22
19	0501010322	FLAT WASHER		08
20	0503010023	3/4" SPRING WASHER		16
21	0503010027	5/8 SPRING WASHER		30
22	0503010180	7/16" SPRING WASHER		03
23	0503010025	3/8 SPRING WASHER		02
24	0503010179	LOCK WASHER 5/16 ZN 1K01528		04
25	0503010026	3/8" NUT		02
26	0503010013	5/8 NUT		10
27	0503011336	1/2" HEX SELF ADJUSTING NUT		04
28	0503010014	3/4" HEX NUT		16
29	0501010059	1.5/8 NUT		04
30	0503010044	1-1/4" SELF LOCKING NUT		06
31	0503062177	7/8 (V.C) T-ADAPTER WITH NUT		02



PACKAGED PARTS

0511033077

Item	Code	Description	See page	QT
32	0501010590	NIPPLE		01
33	0571019584	7/8 UNF NIPLE		01
34	0503010190	2-114 N 3006-9B O'RING		03
35	0501053835	FEMALE QUICK COUPLER	16	02
36	0503010217	501040 CLAMPING RING (FOR AXLE)		04
37	0503010002	1800 GREASE FITTING		06
38	0581016941	NIPPLE		01
39	0503013527	CLAMP ZIPER		10
40	0503030168	HITCH PIN CLIP		02



Item	Code	Description	See page	QT
01	0503011883	QUICK CONNECTION COVER		01
02	0503011628	FEMALE QUICK COUPLER		01



MARCHESAN

Technical Publications | Elaboration and Revision

LEONARDO JOSÉ DA SILVA SOUZA

www.marchesan.com.br

