

PCA - AGRICULTURAL FRONT LOADER

PCA 600 MF 4305/4306/4307 BT CDC JS ESP

Code: 0501093512

Series: S-0620

Revision: 00

Date Revision: ABRIL/2023

PARTS CATALOGUE



MARCHESAN



PRODUCTS

Code	Description
0106112057	PCA 600 MF 4305/4306/4307 BT CDC JS ESP S-0620

ATTENTION: IMPORTANT

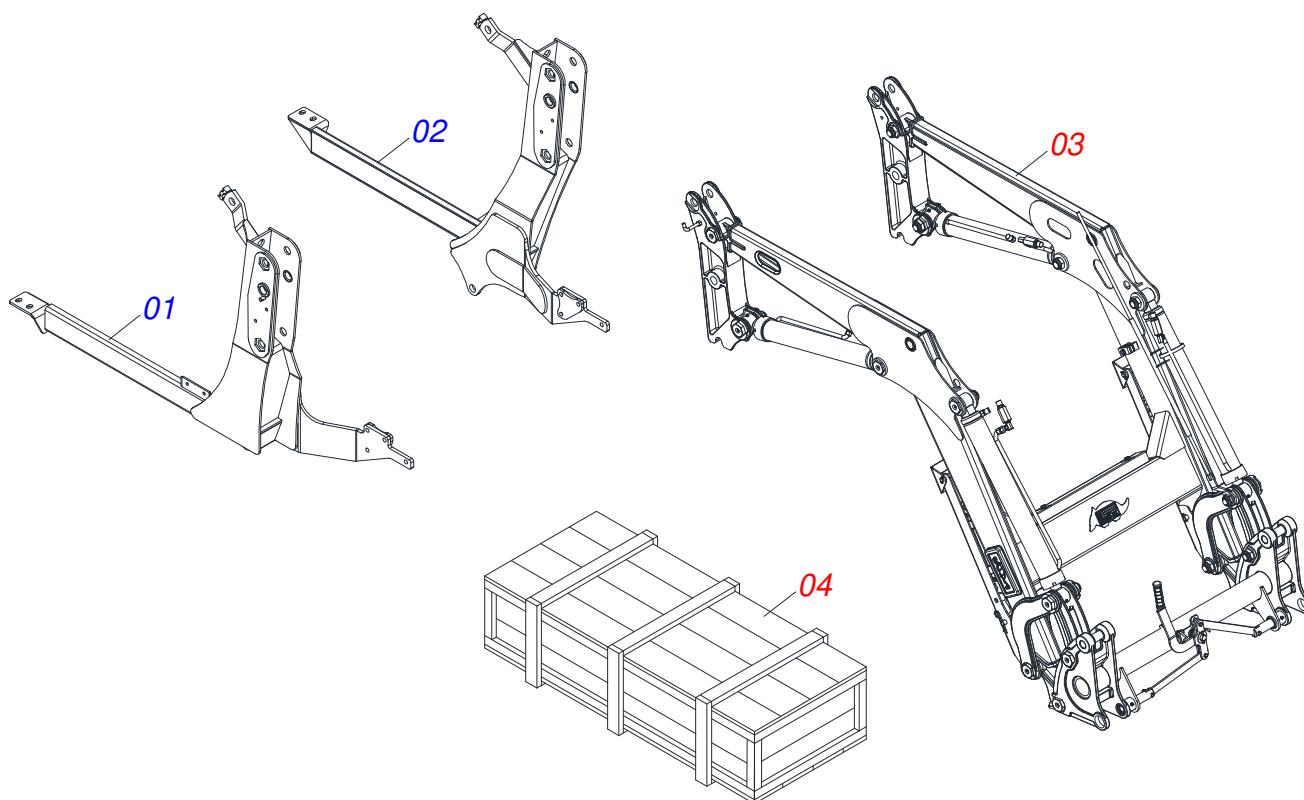
Marchesan S.A. reserves the right to improve and/or modify the technical features of its products, without obligation to do the same with those products already sold and without prior knowledge of the dealer or the customer. The photos are only illustrative.



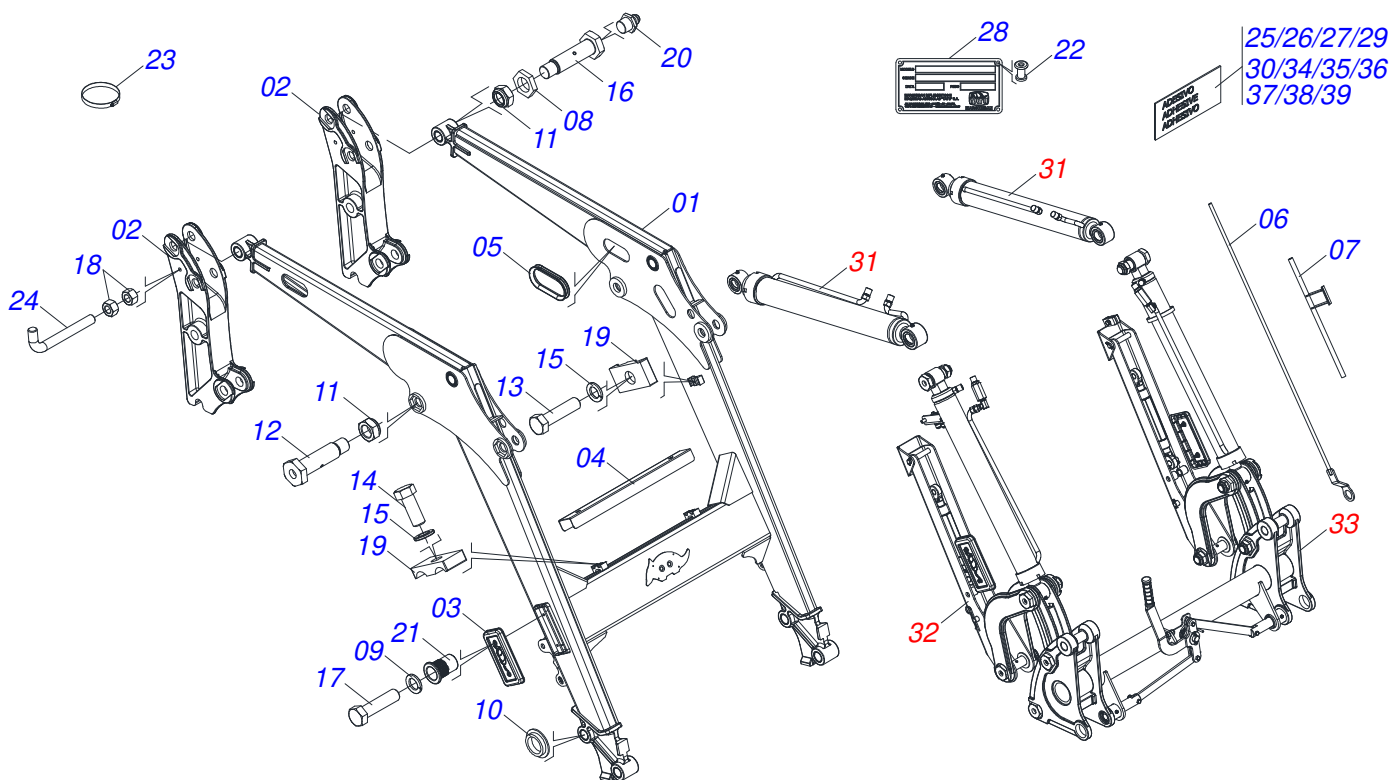
MARCHESAN

INDEX

0106112057	PCA 600 MF 4305/4306/4307 BT CDC JS ESP S-0620	1
0531044033	MOBILE SUPPORT ASSY	2
0909096624	HYDRAULIC ASSEMBLY	3
0521050256	44,45 X 76,20 X 845 X 555 RIGHT HYDRAULIC CYLINDER	4
0521050255	44,45 X 76,20 X 845 X 555 LEFT HYDRAULIC CYLINDER	5
0521045380	44,45 X 76,10 X 918 RIGHT HYDRAULIC CYLINDER	6
0521045379	44,45 X 76,10 X 918 LEFT HYDRAULIC CYLINDER	7
0511057772	SECURITY VALVE ASSY	8
0909096625	JACK ASSEMBLY	9
0909096626	ARTICULATION ASSEMBLY	10
0521028112	BOX WITH COMPONENTS	11
0501042819	1.1/4" NC X 33.46" ASSY ROD	12
0511047399	1.1/4" NC X 40" ASSY ROD	13
0521045489	BLOCK COMMAND	14
0501053834	MALE QUICK COUPLER	15
0531044005	SET SUPPORT JOY STICK	16
0511034441	PACKAGED PARTS	17
0501053835	FEMALE QUICK COUPLER	18



Item	Code	Description	See page	QT
01	0531064782	RIGHT FRAME		01
02	0531064795	LEFT FRAME		01
03	0531044033	MOBILE SUPPORT ASSY	2	01
04	0521028112	BOX WITH COMPONENTS	11	01



Item	Code	Description	See page	QT
01	0531062878	MOBILE SUPPORT		01
02	0502012950	TOWER		02
03	0503035448	COVER		02
04	0501217671	HOSE PROTECTION		01
05	0503034364	HOSE PROTECTOR		02
06	0531065451	LEVELING ROD		01
07	0531065450	GUIDE STICK		01
08	0501216423	WASHER HEX 37,8 X 58 X 9,50		04
09	0503010143	1/4" SPRING WASHER		04
10	0591010982	WASHER SPACER		04
11	0503010044	1-1/4" SELF LOCKING NUT		08
12	0571018265	1.1/4" UNF X 4,40" ZN BOLT		04
13	0503012555	SCREW 7/16 UNC X 2 CS RT G.7 ZN		03
14	0503011338	7/16" X 1" BOLT		02
15	0503010180	7/16" SPRING WASHER		05
16	0501218615	1.1/4" UNF X 4,37" BOLT		04
17	0503010461	1/4" X 1" BOLT		04
18	0503010060	1/2 UNC G.5 ZN HEX NUT		02
19	0502010477	HOSE CLAMP		04
20	0503010002	1800 GREASE FITTING		12
21	0503019901	INTERNAL THREAD RIVET RM 1/4 P30S		04
22	0503010001	3.2 X 5.5 RIVET		04
23	0503011372	102 TO 121 CLAMP		01
24	0581010285	CONTROL LOCKING HOOK		01
25	0503031087	ADHESIVE LABEL		01
26	0503031428	READ MANUAL DECAL		01
27	0503031827	LUBRICATE AND RETIGHTEN DAILY DECAL		01
28	0503034003	SERIAL NUMBER TAG 61 X 118		01
29	0503034078	LIFTING POINTS DECAL		02
30	0503064049	ADHESIVE LABEL SET		01
31	0909096624	HYDRAULIC ASSEMBLY	3	01

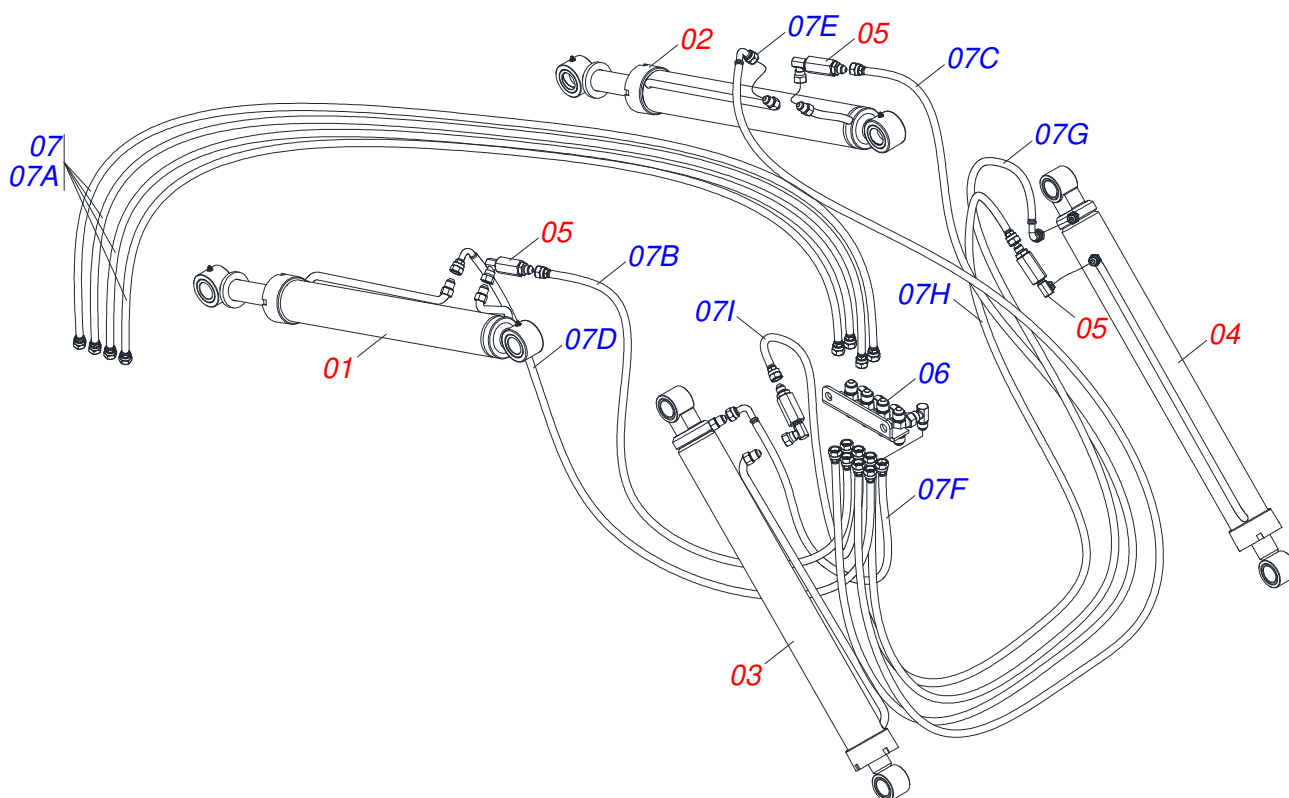


MOBILE SUPPORT ASSY

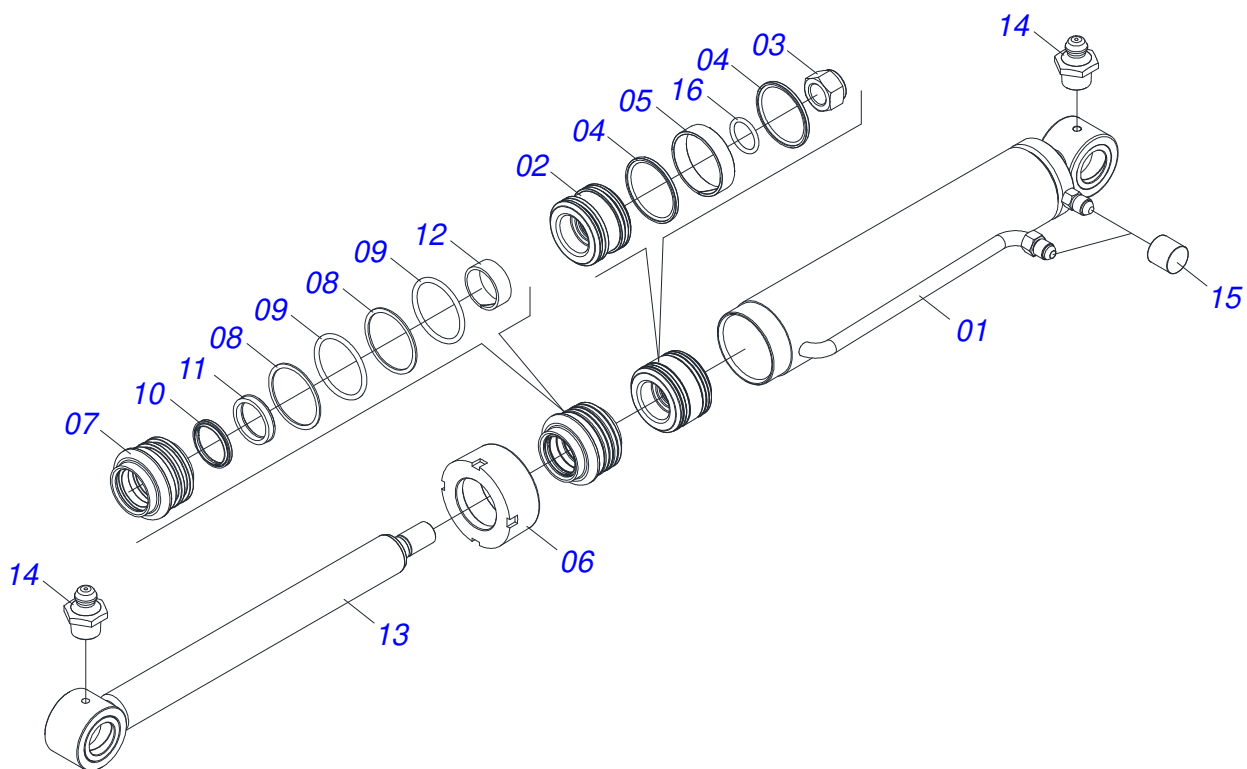
0531044033

Item	Code	Description	See page	QT
32	0909096625	JACK ASSEMBLY	9	01
33	0909096626	ARTICULATION ASSEMBLY	10	01
34	0503036237	ADHESIVE LABEL SAFETY REMOVE SHELL IN MOTION		01
35	0503036238	ADHESIVE LABEL SAFETY LOCKING HYDRAULIC CYLINDERS		01
36	0503036239	ADHESIVE LABEL ATTENTION FLUIDS WITH PRESSURE		01
37	0503036240	ADHESIVE LABEL SAFETY DO NOT CLIMB ON THE RAISED SHELL		01
38	0503036241	ADHESIVE LABEL SAFETY CAUTION SHOCK HAZARD		01
39	0503036246	ADHESIVE LABEL ATTENTION LOCK IN PROCEDURES AND SERVICES		01

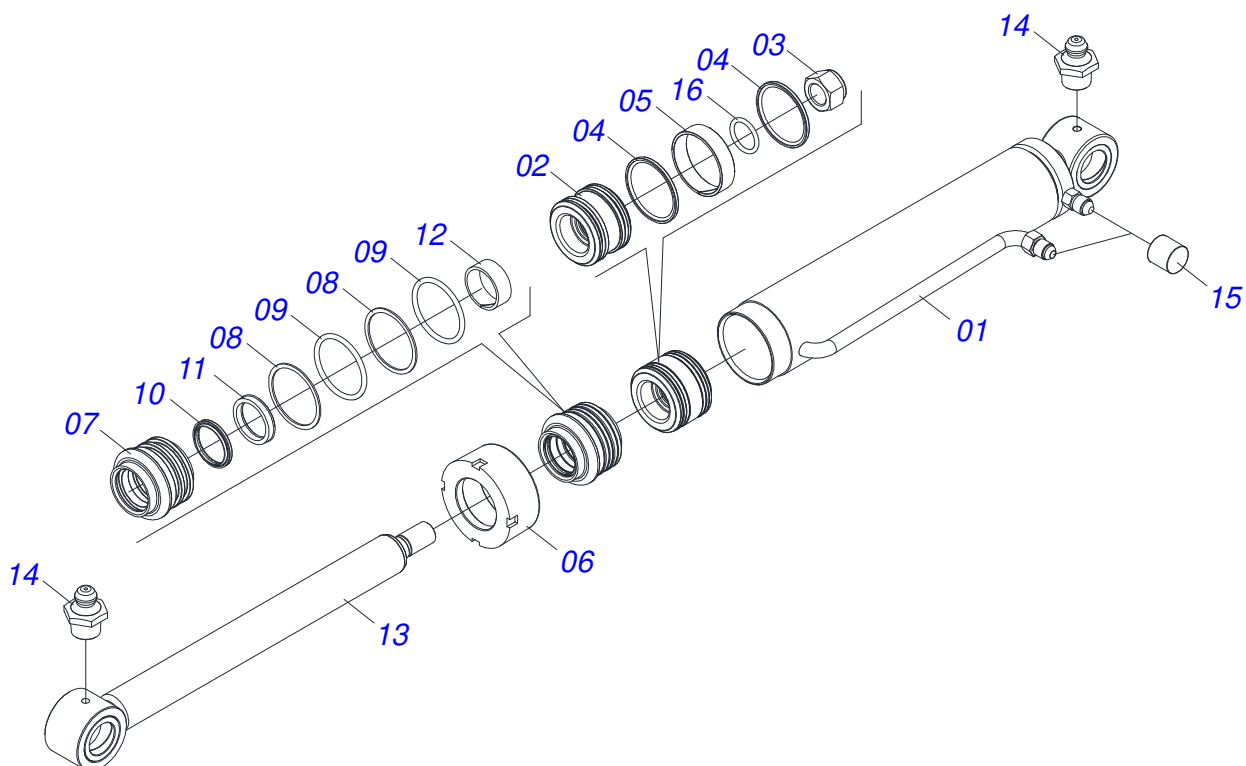
HYDRAULIC ASSEMBLY



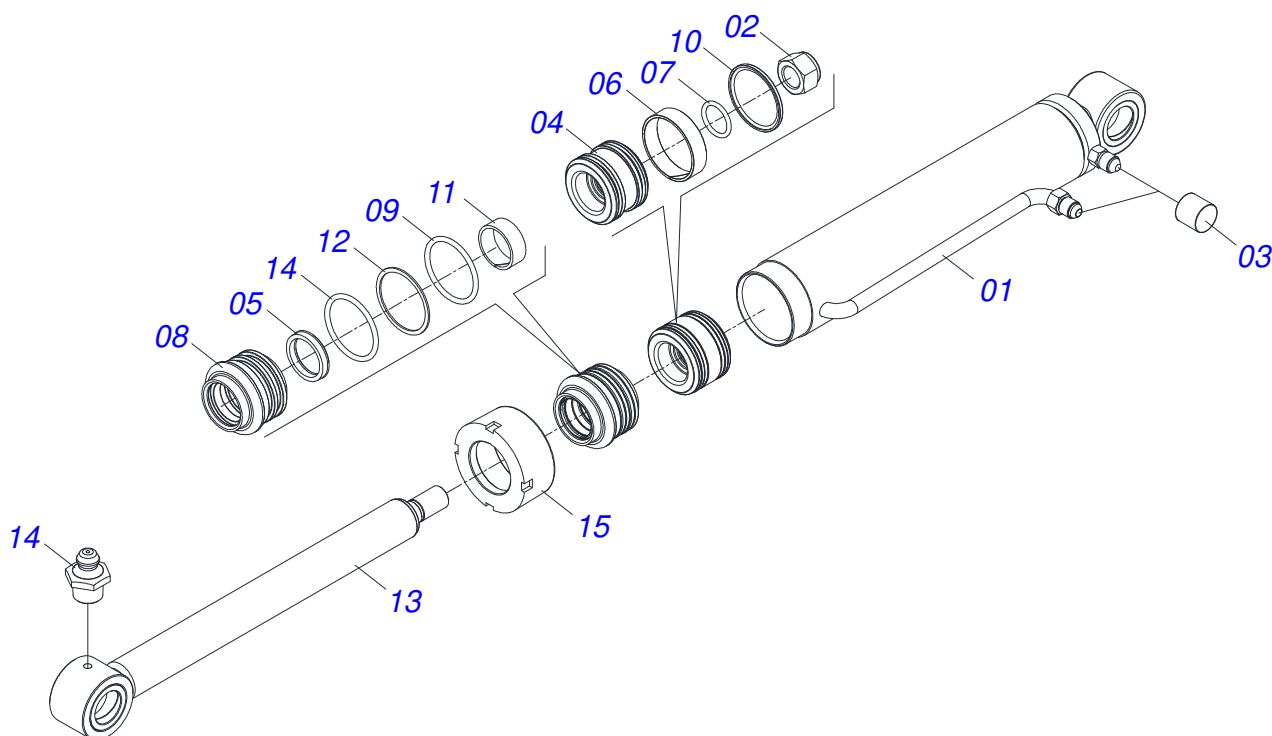
Item	Code	Description	See page	QT
01	0521050256	44,45 X 76,20 X 845 X 555 RIGHT HYDRAULIC CYLINDER	4	01
02	0521050255	44,45 X 76,20 X 845 X 555 LEFT HYDRAULIC CYLINDER	5	01
03	0521045380	44,45 X 76,10 X 918 RIGHT HYDRAULIC CYLINDER	6	01
04	0521045379	44,45 X 76,10 X 918 LEFT HYDRAULIC CYLINDER	7	01
05	0511057772	SECURITY VALVE ASSY	8	04
06	0521069023	HOSE DIVIDER		01
07	0511056982	HOSE SET MOBILE SUPPORT		01
07A	0501080452	3/8" X 98" TR-TR HOSE		04
07B	0501080127	3/8" X 45,2" TR-TR HOSE		01
07C	0501080483	3/8" X 86,6" TR-TR HOSE		01
07D	0501080348	3/8" X 47,2" TR-TC HOSE		01
07E	0501080451	3/8" X 94,5" TR-TC HOSE		01
07F	0501080375	3/8" X 23,6" TR-TC HOSE		01
07G	0501080419	3/8" X 82,6" TR-TC HOSE		01
07H	0501080320	3/8" X 82,6" TR-TR HOSE		01
07I	0501080027	3/8" X 39,3" TR-TR HOSE		01



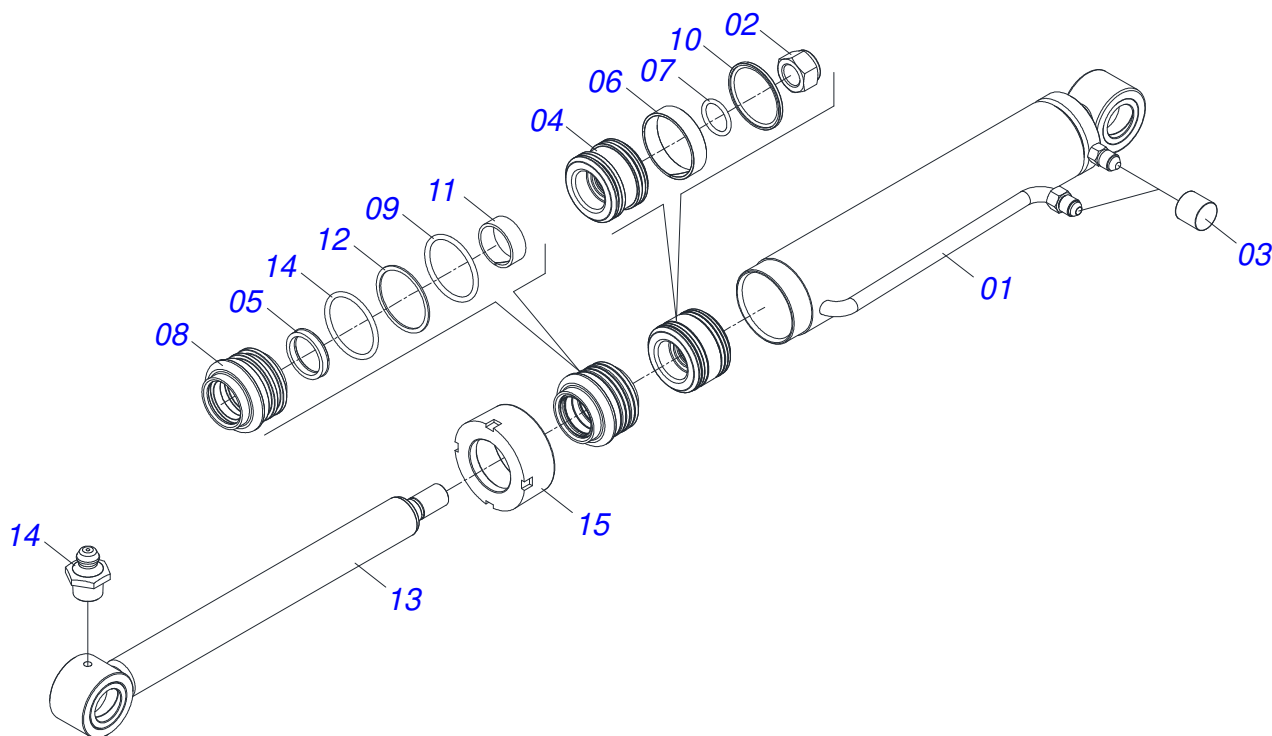
Item	Code	Description	See page	QT
01	0521067485	76,20 X 740,50 RIGHT CYLINDER CASE		01
02	0581010304	PISTON		01
03	0503010063	1" SELF-ALIGNING NUT		01
04	0503018138	RING BS		02
05	0503018140	RING GUIDE		01
06	0502011899	MOBILE COVER		01
07	0581010301	RING SUPPORT		01
08	0503011059	8-334 BACK-UP RING		02
09	0503010343	2-334 N 3006-9B O'RING		02
10	0503010761	D-1750 SCRAPER RING		01
11	0503017937	GASKET		01
12	0503017938	RING GUIDE		01
13	0521067543	44,45 X 774 AIR TURNBUCKLE		01
14	0503010002	1800 GREASE FITTING		02
15	0503030385	CYLINDER PLUG N-002		02
16	0503010042	2-214 N 3006-9B O'RING		01
17	0511032293	HYDRAULIC CYLINDER REPAIR KIT		01



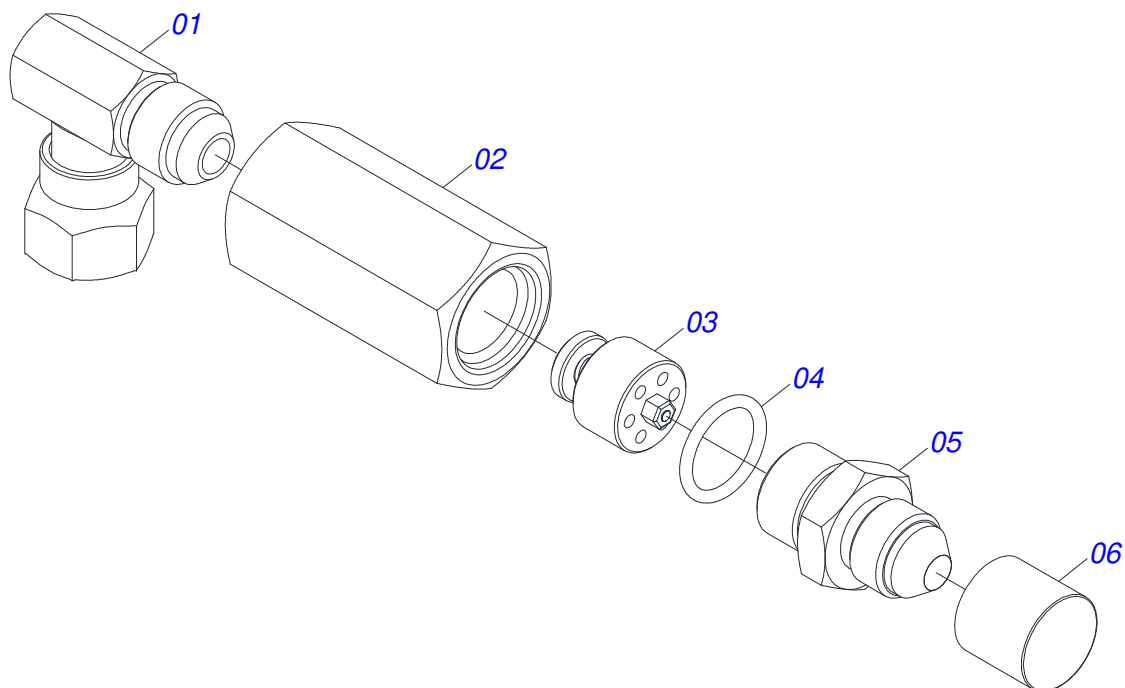
Item	Code	Description	See page	QT
01	0521067486	76,20 X 740,50 LEFT CYLINDER CASE		01
02	0581010304	PISTON		01
03	0503010063	1" SELF-ALIGNING NUT		01
04	0503018138	RING BS		02
05	0503018140	RING GUIDE		01
06	0502011899	MOBILE COVER		01
07	0581010301	RING SUPPORT		01
08	0503011059	8-334 BACK-UP RING		02
09	0503010343	2-334 N 3006-9B O'RING		02
10	0503010761	D-1750 SCRAPER RING		01
11	0503017937	GASKET		01
12	0503017938	RING GUIDE		01
13	0521067543	44,45 X 774 AIR TURNBUCKLE		01
14	0503010002	1800 GREASE FITTING		02
15	0503030385	CYLINDER PLUG N-002		02
16	0503010042	2-214 N 3006-9B O'RING		01
17	0511032293	HYDRAULIC CYLINDER REPAIR KIT		01



Item	Code	Description	See page	QT
01	0521065843	RIGHT CYLINDER CASE WITH EXTENSION		01
02	0503010063	1" SELF-ALIGNING NUT		01
03	0503030385	CYLINDER PLUG N-002		02
04	0502011898	1.8" X 3.0" PISTON		01
05	0503012768	3750-2250 GASKET		02
06	0503010992	W2-3000-500 PK RING G.E		01
07	0503010042	2-214 N 3006-9B O'RING		01
08	0502011897	RING SUPPORT		01
09	0503010761	D-1750 SCRAPER RING		01
10	0503010990	GASKET		01
11	0503010949	W2-2000-500 PK RING G.E		01
12	0503011059	8-334 BACK-UP RING		01
13	0521065845	44,45 X 839 WELDED ROD		01
14	0503010343	2-334 N 3006-9B O'RING		01
15	0502011899	MOBILE COVER		01
16	0503010002	1800 GREASE FITTING		01
17	0501033655	HYDRAULIC CYLINDER REPAIR KIT		01

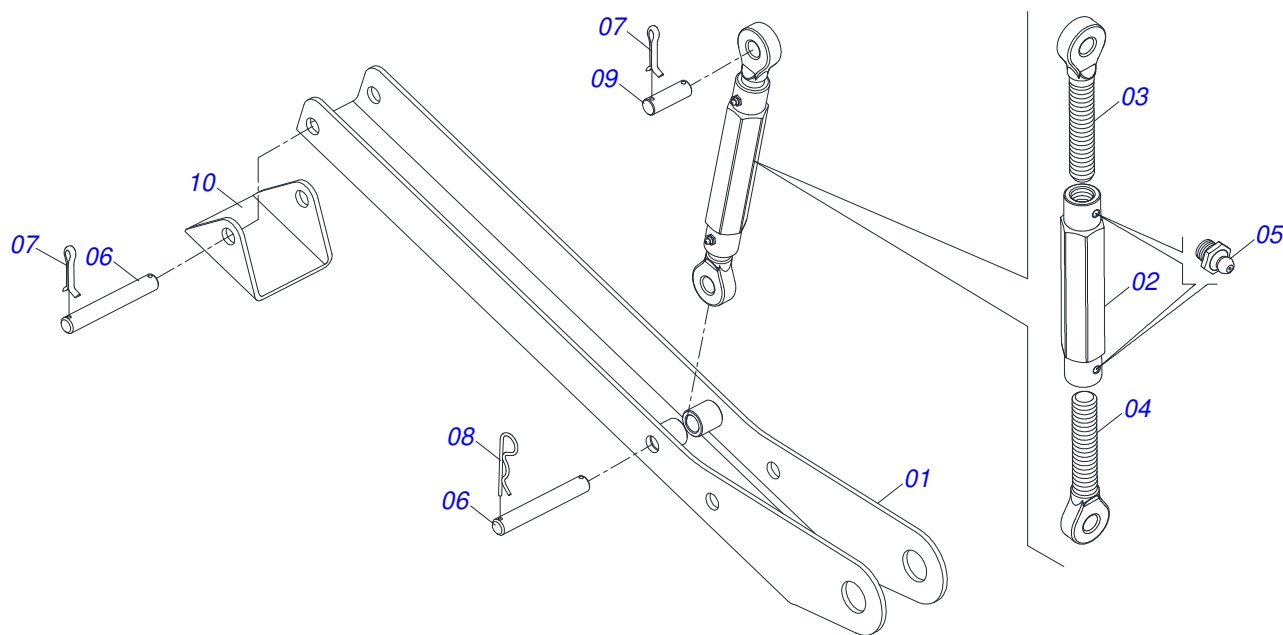


Item	Code	Description	See page	QT
01	0521065842	CYLINDER CASE WITH EXTENSION		01
02	0503010063	1" SELF-ALIGNING NUT		01
03	0503030385	CYLINDER PLUG N-002		02
04	0502011898	1.8" X 3.0" PISTON		01
05	0503012768	3750-2250 GASKET		02
06	0503010992	W2-3000-500 PK RING G.E		01
07	0503010042	2-214 N 3006-9B O'RING		01
08	0502011897	RING SUPPORT		01
09	0503010761	D-1750 SCRAPER RING		01
10	0503010990	GASKET		01
11	0503010949	W2-2000-500 PK RING G.E		01
12	0503011059	8-334 BACK-UP RING		01
13	0521065845	44,45 X 839 WELDED ROD		01
14	0503010343	2-334 N 3006-9B O'RING		01
15	0502011899	MOBILE COVER		01
16	0503010002	1800 GREASE FITTING		01
17	0501033655	HYDRAULIC CYLINDER REPAIR KIT		01



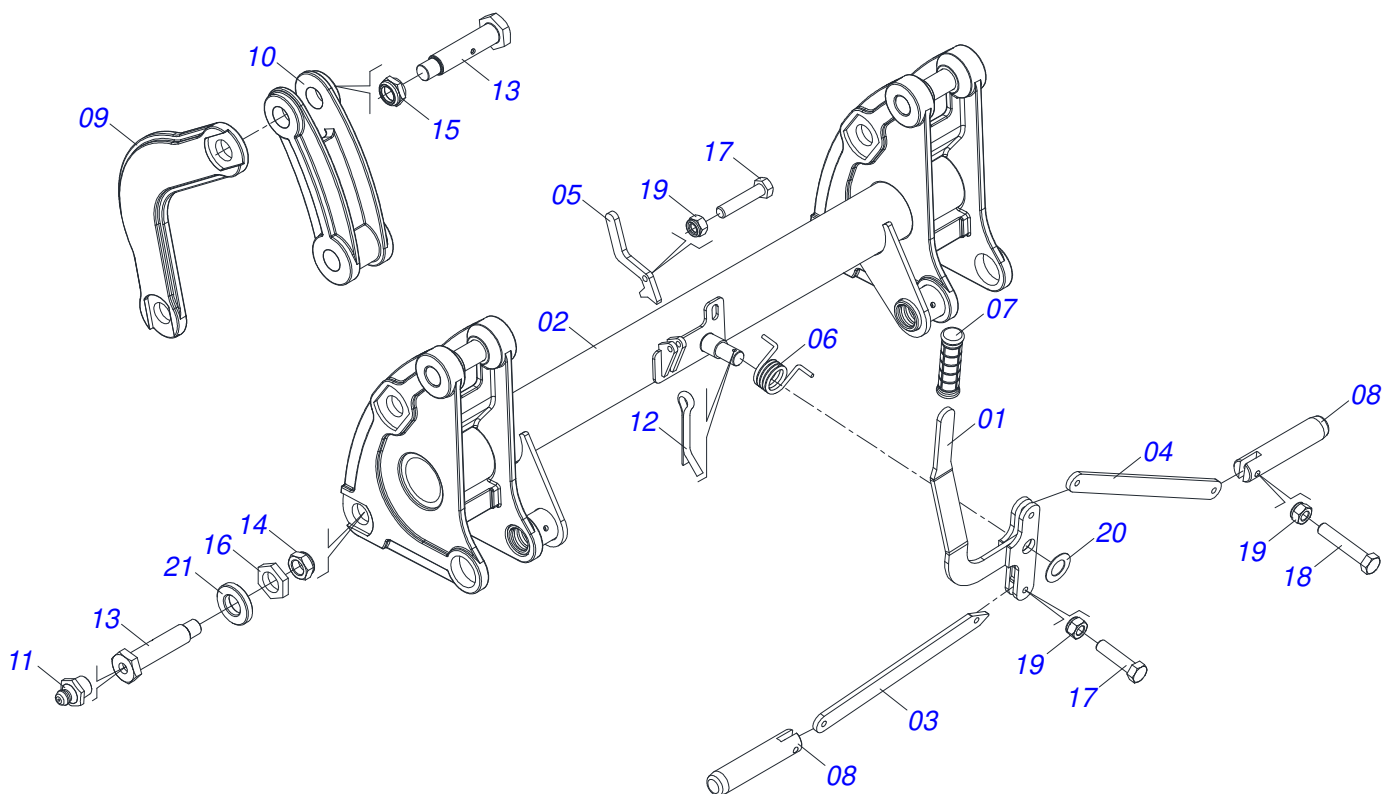
Item	Code	Description	See page	QT
01	0503018034	MALE KNEE JIC		01
02	0581014055	ADAPTER		01
03	0503016854	VALVE ASSY		01
04	0503010045	O'RING		01
05	0581014054	BSP 1/2" NIPPLE		01
06	0503030385	CYLINDER PLUG N-002		01

JACK ASSEMBLY

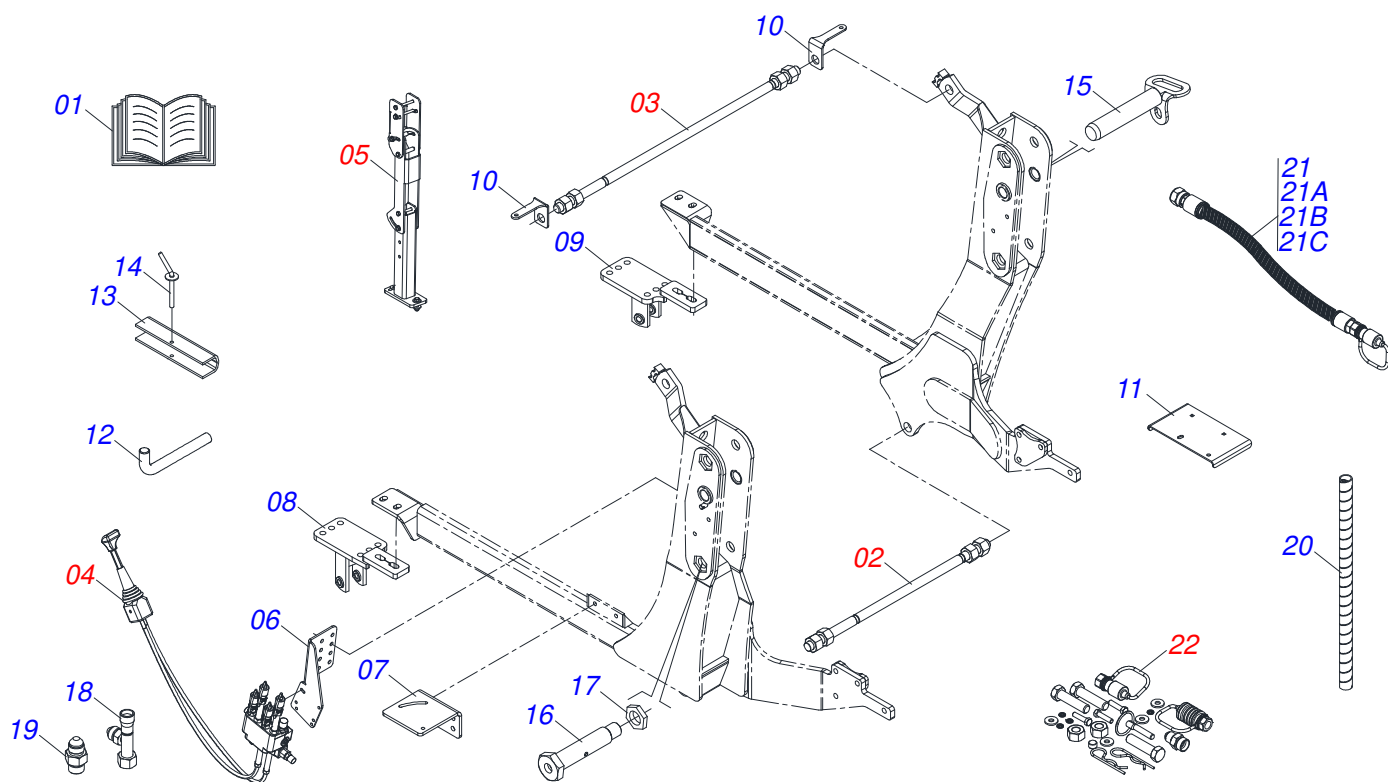


Item	Code	Description	See page	QT
01	0531065157	JACK ARM		02
02	0502012530	REGULATOR NUT BODY R1		02
03	0502012562	LEFT SPINDLE R1 X 160		02
04	0502012529	RIGHT SPINDLE R1 X 160		02
05	0503010002	1800 GREASE FITTING		04
06	0571018253	3/4 X 133 COUPLING SHAFT		04
07	0503010071	3/16" X 1" COTTERPIN		10
08	0503030012	HITCH PIN CLIP		02
09	0561015578	3/4 X 56 COUPLING SHAFT		02
10	0501217660	SUPPORT ARM		02

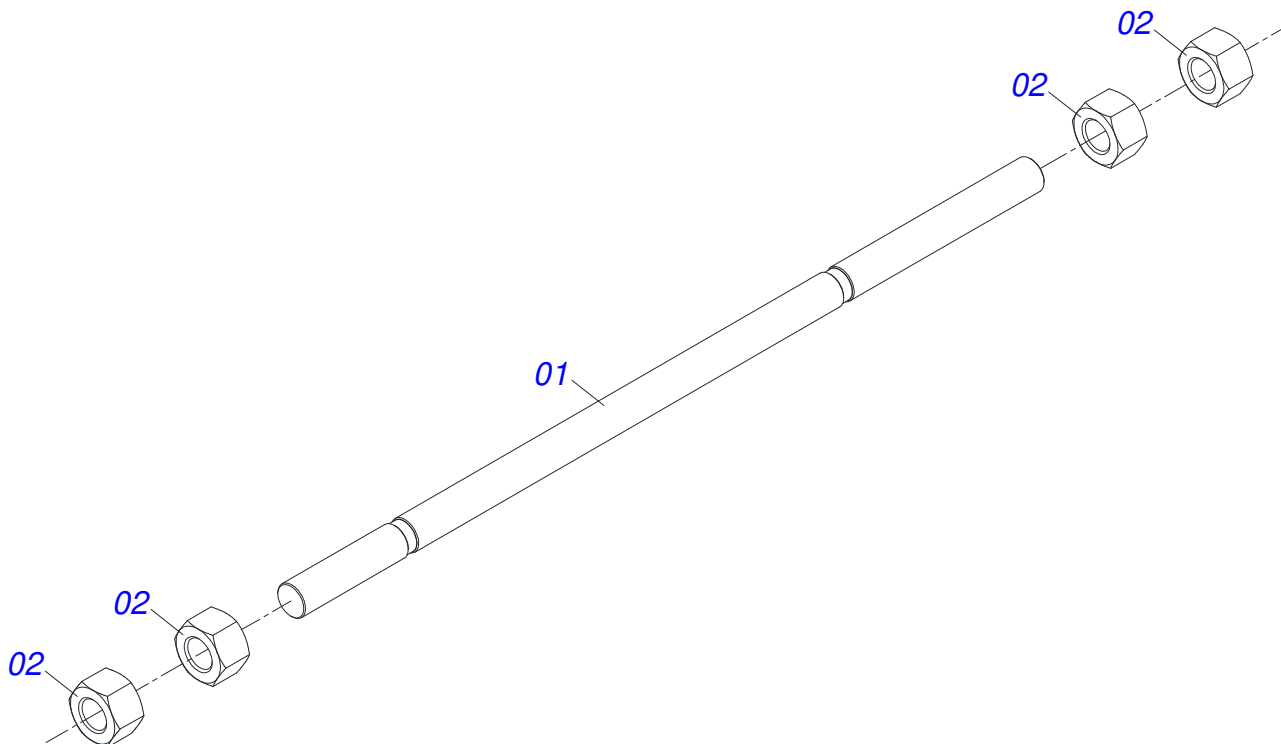
ARTICULATION ASSEMBLY



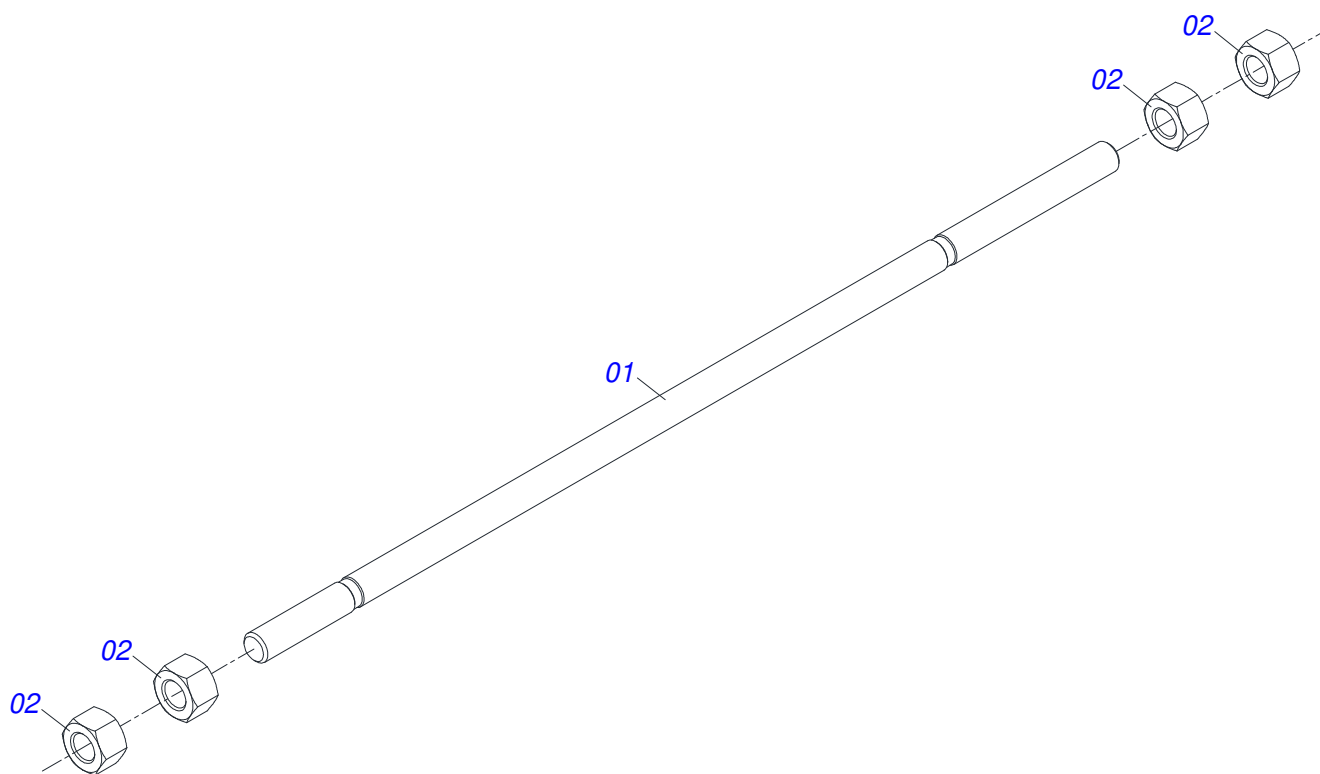
Item	Code	Description	See page	QT
01	0531065449	LEVER		01
02	0531065452	ARTICULATOR		01
03	0501218584	RIGHT ARM TISARM		01
04	0501218585	TRIP SPRING FIXER ARM		01
05	0501218586	PENDOL LATCH		01
06	0503034192	TORSION SPRING		01
07	0503037382	25 X 120 PVC HANDLE		01
08	0571018129	PIN LOCK ACCESSORY		02
09	0502012952	LOWER COPYING ARM		04
10	0502012953	ARTICULATE MINOR BODY		02
11	0503010002	1800 GREASE FITTING		06
12	0503010523	1/4" X 2" COTTERPIN		01
13	0571018245	1.1/4" UNF X 139 BOLT		08
14	0503010044	1-1/4" SELF LOCKING NUT		07
15	0571018205	1.1/4" X UNF NUT WITH RECESS		01
16	0501216423	WASHER HEX 37,8 X 58 X 9,50		08
17	0503010849	3/8" X 1-1/2" BOLT		03
18	0503011236	3/8" X 2" BOLT		02
19	0503013357	3/8 SELF-ADJUSTING NUT		05
20	0561011883	FLAT WASHER		01
21	0581014204	FLAT WASHER		02



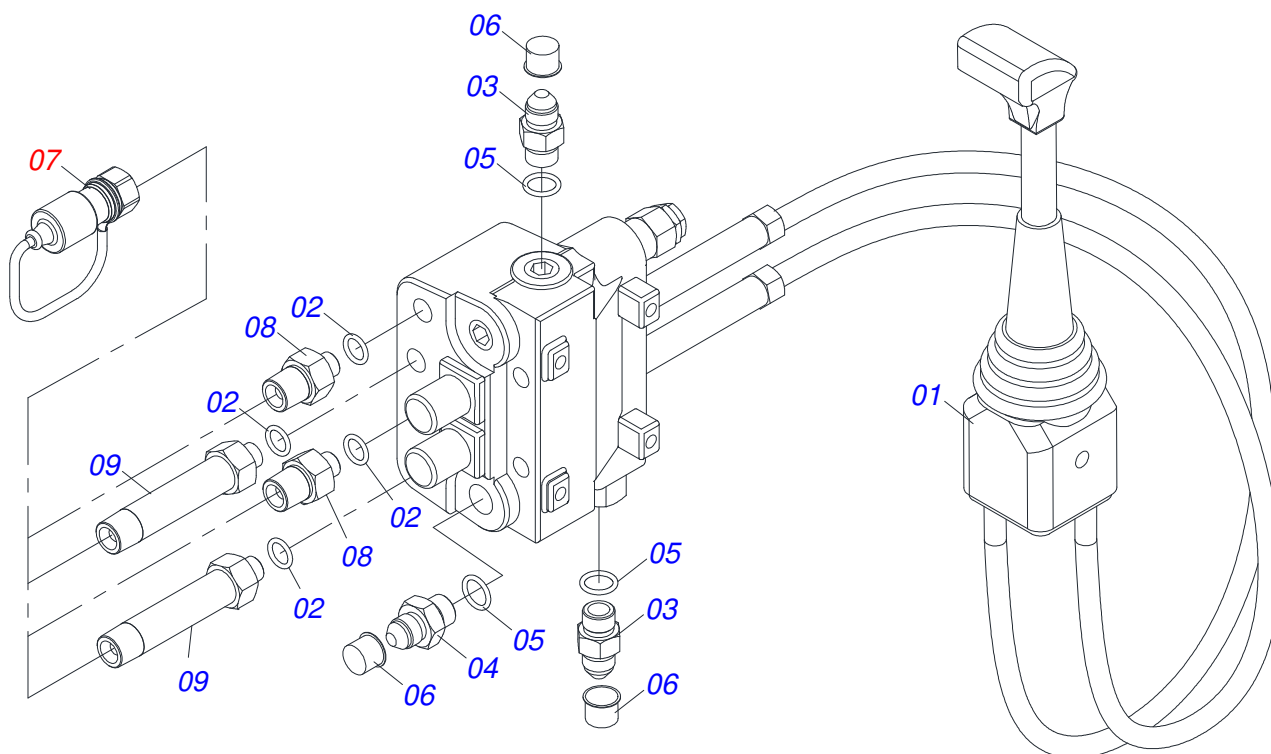
Item	Code	Description	See page	QT
01	0511033668	BAG WITH INSTRUCTION MANUAL		01
02	0501042819	1.1/4" NC X 33.46" ASSY ROD	12	01
03	0511047399	1.1/4" NC X 40" ASSY ROD	13	01
04	0521045489	BLOCK COMMAND	14	01
05	0531044005	SET SUPPORT JOY STICK	16	01
06	0501217866	CONTROL FIXING BASE		01
07	0531065210	JOYSTICK FIXING BASE		01
08	0531065206	DIFFERENTIAL RIGHT SUPPORT		01
09	0531065205	LEFT DIFFERENTIAL SUPPORT		01
10	0501217853	HEADLIGHT SUPPORT		02
11	0501217852	LADDER FIXING BASE		01
12	0581010285	CONTROL LOCKING HOOK		01
13	0501217728	LOCK FOR TRANSPORTATION		02
14	0501068994	8,30 X 78 LOCK PIN		02
15	0531065459	FIXING AXIS MOBILE SUPPORT		02
16	0501216406	SCREW 1.1/4" UNF X 147		02
17	0501216405	WASHER 37.8 EXTERNAL HEXAGON 58 X 8.00		02
18	0531061452	ADAPTER		01
19	0591015515	NIPPLE FITTING		02
20	0581010090	SPRING PROTECTION PLASTIC HOSE		02
21	0521059585	HOSE KIT		01
21A	0501080025	3/8" X 55,11" TR-TC HOSE		01
21B	0501081796	3/8" X 64,96" TR-TC HOSE		01
21C	0501081427	1/2" X 125,98" TC-TC HOSE		01
22	0511034441	PACKAGED PARTS	17	01



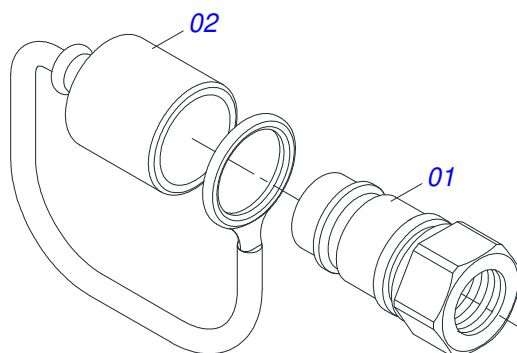
Item	Code	Description	See page	QT
01	0501018845	1.1/4" X 33.46" ROD		01
02	0501010087	1.1/4" NUT		04



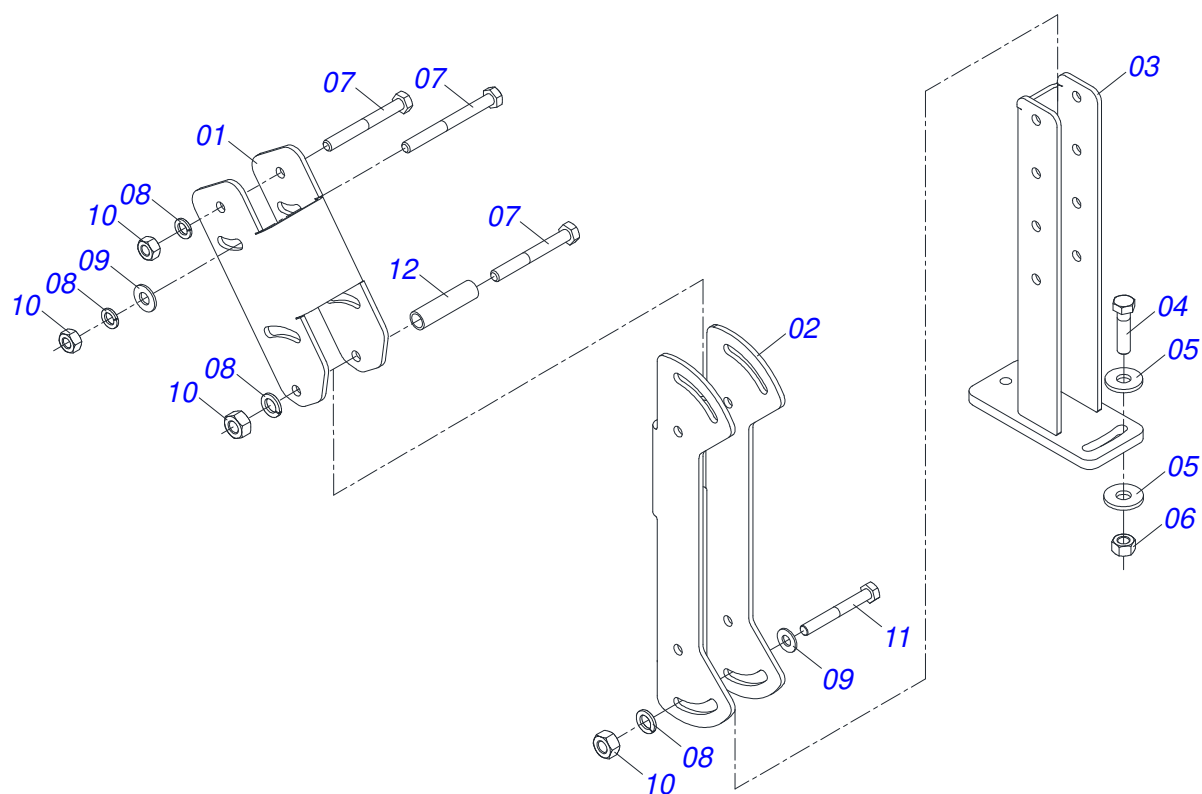
Item	Code	Description	See page	QT
01	0561010598	1.1/4 UNC 7FPP X 1140 ROD		01
02	0501010087	1.1/4" NUT		04



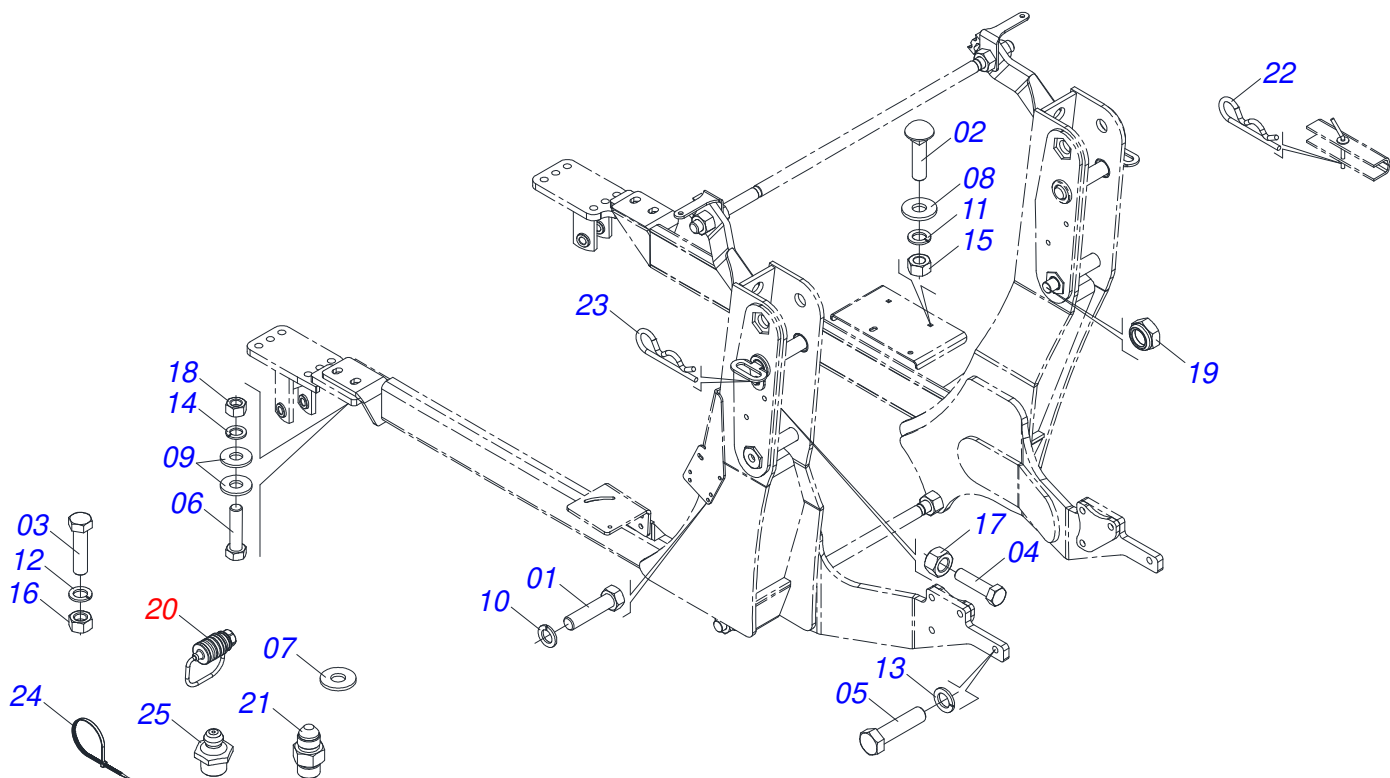
Item	Code	Description	See page	QT
01	0503062412	COMPLETE JOYSTICK CONTROL		01
02	0503011108	2-112 O-RING		04
03	0501010617	3/4" NIPPLE		02
04	0501011460	7/8 NF REDUCTION NIPPLE		01
05	0503010190	2-114 N 3006-9B O-RING		03
06	0503030385	CYLINDER PLUG N-002		03
07	0501053834	MALE QUICK COUPLER	15	04
08	0571018717	ADAPTER		02
09	0571018716	ADAPTER		02



Item	Code	Description	See page	QT
01	0503011627	MALE QUICK COUPLER AGR 1/2 NPT		01
02	0503011882	MALE QUICK COUPLER CAP		01

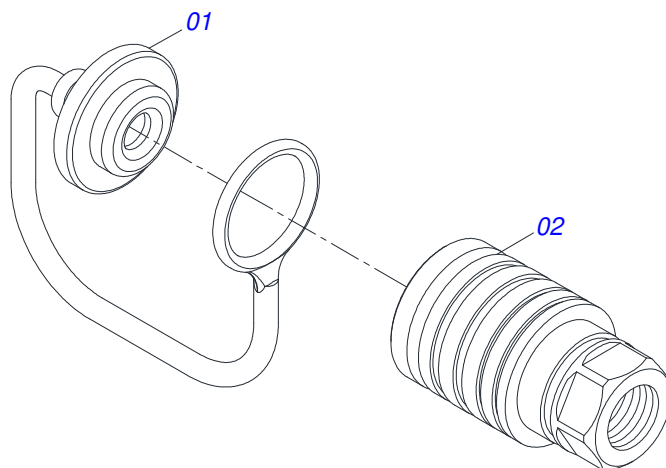


Item	Code	Description	See page	QT
01	0501217764	UPPER BODY JOYSTICK SUPPORT		01
02	0501217765	CENTRAL BODY JOYSTICK SUPPORT		01
03	0531065170	JOYSTICK BOTTOM SUPPORT		01
04	0503010849	3/8" X 1-1/2" BOLT		02
05	0501010984	10,50 X 27 X 3,00 FLAT WASHER		04
06	0503010026	3/8" NUT		02
07	0503010848	5/16" X 3.1/2" BOLT		04
08	0503010179	LOCK WASHER 5/16 ZN 1K01528		06
09	0501010694	FLAT WASHER		06
10	0503010337	5/16" NUT		06
11	0503011053	5/16" X 3" C S 6.5 ZN BOLT		02
12	0541015551	0.39" X 0.512" X 1.9" SLEEVE		02



Item	Code	Description	See page	QT
01	0503016506	5/16 UNC X 3/4 C S G.5 ZN BOLT		04
02	0501011643	3/8 X 1" BOLT		02
03	0503010238	BOLT 1/2 UNC X 1.3/4 CS G.2 ZN		02
04	0501010077	1/2" X 2" BOLT		02
05	0503012573	M16 X 2 X 65 BOLT		08
06	0501010827	3/4" X 2-3/4" BOLT		04
07	0501010694	FLAT WASHER		01
08	0501011517	FLAT WASHER		02
09	0501010322	FLAT WASHER		08
10	0503010179	LOCK WASHER 5/16 ZN 1K01528		04
11	0503010025	3/8 SPRING WASHER		02
12	0503010019	1/2" SPRING WASHER		02
13	0503010027	5/8 SPRING WASHER		08
14	0503010023	3/4" SPRING WASHER		04
15	0503010026	3/8" NUT		02
16	0503010060	1/2 UNC G.5 ZN HEX NUT		02
17	0503011336	1/2" HEX SELF ADJUSTING NUT		02
18	0503010014	3/4" HEX NUT		04
19	0503010044	1-1/4" SELF LOCKING NUT		02
20	0501053835	FEMALE QUICK COUPLER	18	04
21	0571015342	3/4" NIPLE		04
22	0503030168	HITCH PIN CLIP		02
23	0503030012	HITCH PIN CLIP		02
24	0503013527	CLAMP ZIPER		10
25	0503010002	1800 GREASE FITTING		02

FEMALE QUICK COUPLER



Item	Code	Description	See page	QT
01	0503011883	QUICK CONNECTION COVER		01
02	0503011628	FEMALE QUICK COUPLER		01



MARCHESAN

Technical Publications | Elaboration and Revision

LEONARDO JOSÉ DA SILVA SOUZA

www.marchesan.com.br

