

PCA - AGRICULTURAL FRONT LOADER

PCA 800 MF 6711A6713 BT CDC JS ESP

Code: 0501093510

Series: S-0418

Revision: 00

Date Revision: ABRIL/2023

PARTS CATALOGUE



MARCHESAN



PRODUCTS

Code	Description
0106112152	PCA 800 MF 6711A6713 BT CDC JS ESP S-0418

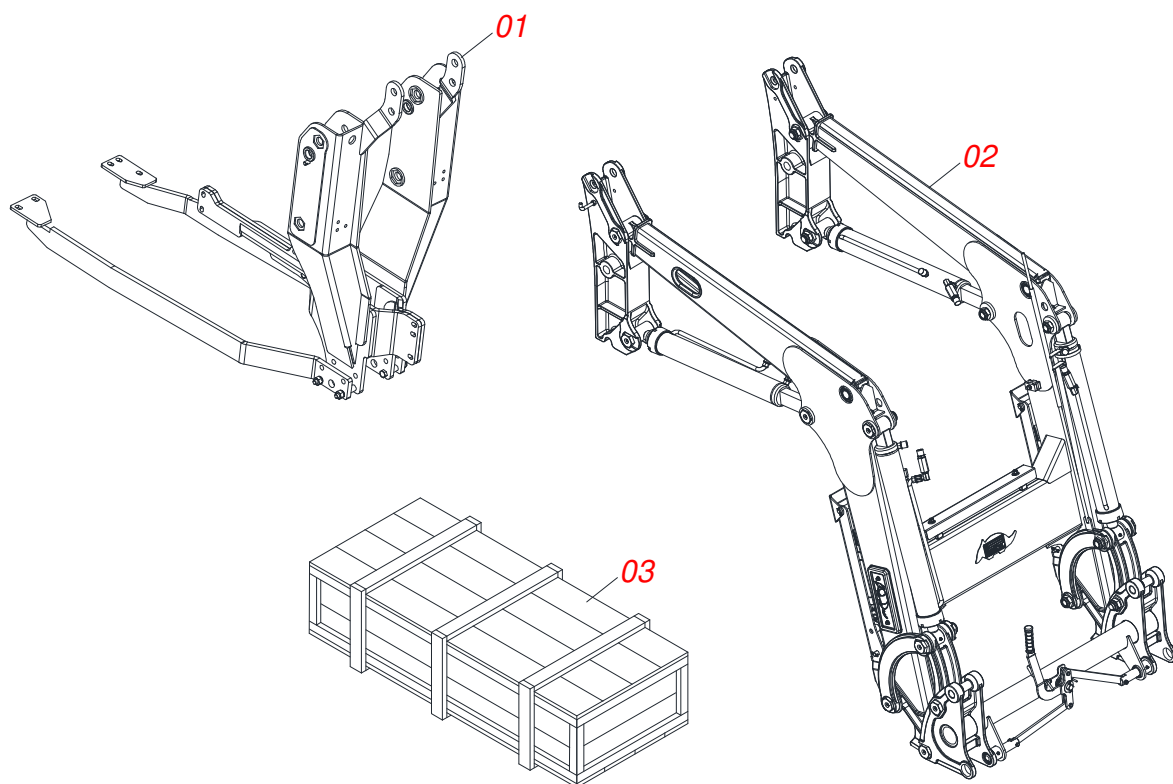
ATTENTION: IMPORTANT

Marchesan S.A. reserves the right to improve and/or modify the technical features of its products, without obligation to do the same with those products already sold and without prior knowledge of the dealer or the customer. The photos are only illustrative.

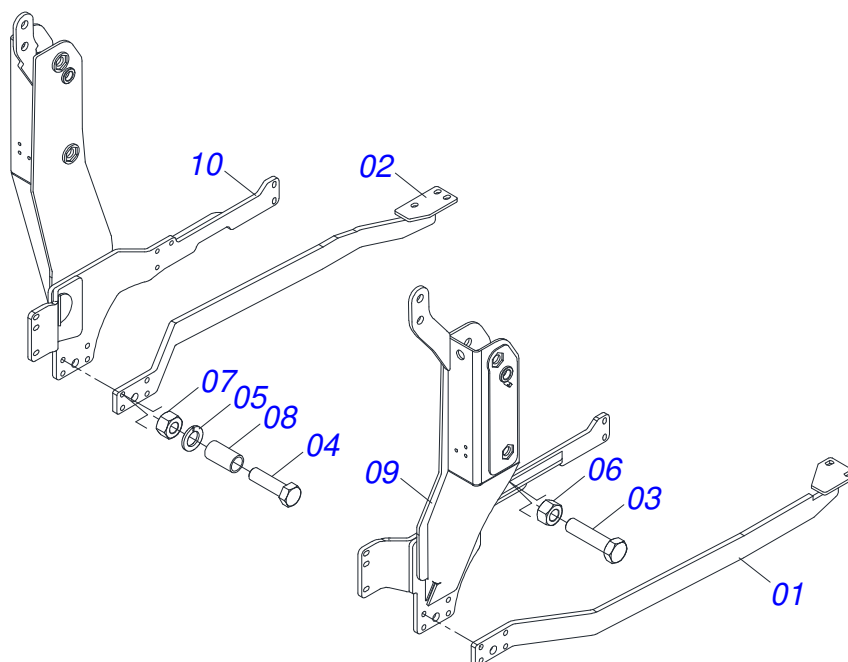


INDEX

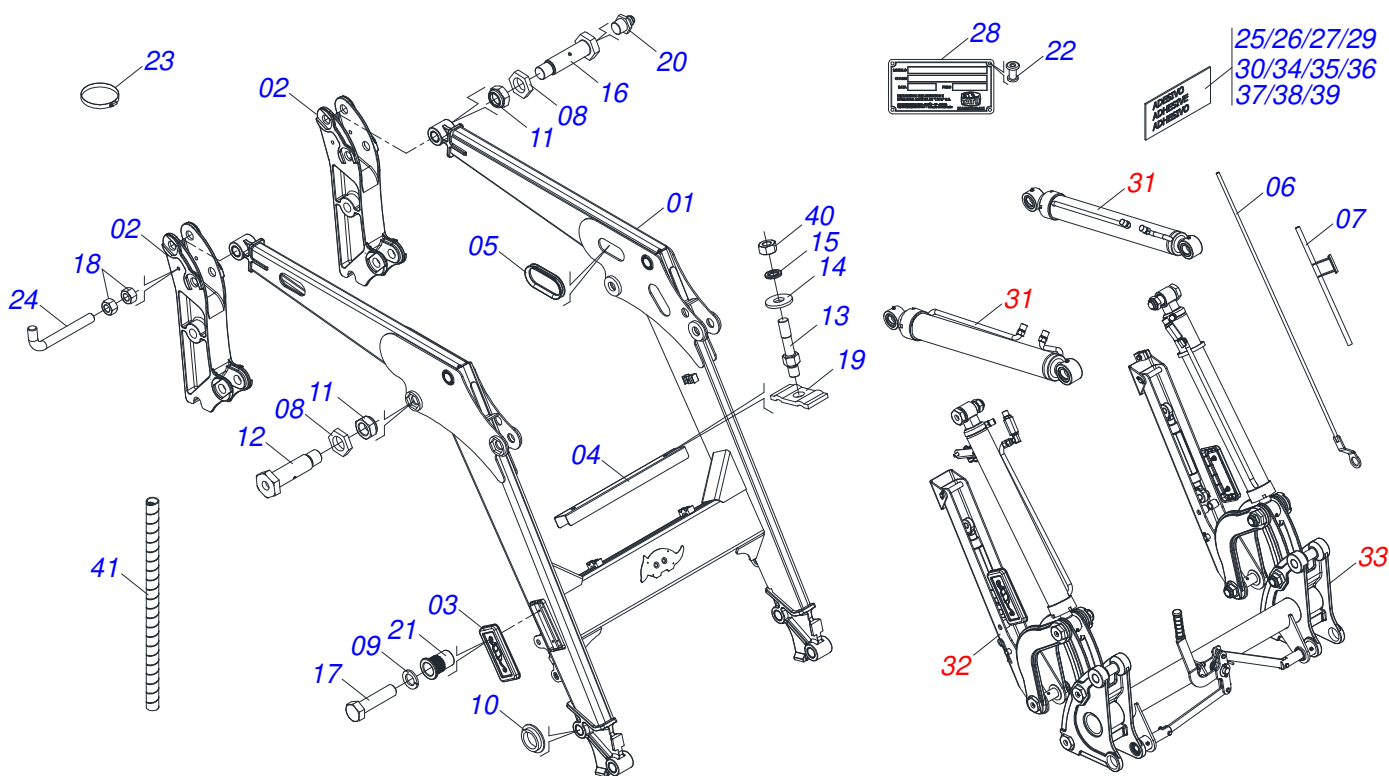
0106112152	PCA 800 MF 6711A6713 BT CDC JS ESP S-0418	1
0531044062	FRAME ASSEMBLY WITH REAR BAR	2
0531044058	ASSY MOBILE SUPPORT	3
0909095418	HIDRAULIC SYSTEM MOBILE SUPPORT	4
0511057771	R.7/8UNF - SAFETY VALVE	5
0521052499	RIGHT HYDRAULIC CYLINDER	6
0521052500	RH HYDRAULIC CYLINDER	7
0521052497	HYDRAULIC CYLINDER	8
0521052501	LEFT HYDRAULIC CYLINDER	9
0909091735	JACK ASSEMBLY	10
0909096695	ARTICULATION ASSEMBLY	11
0521028961	BOX WITH COMPONENTS	12
0521047927	1/2" CONTROL	13
0531044005	SET SUPPORT JOY STICK	14
0521047924	ROD	15
0511043351	1.1/4" X 40" ROD	16
0521052701	HOSE ASSY	17
0511033079	PACKAGED PARTS	18
0501053835	FEMALE QUICK COUPLER	19



Item	Code	Description	See page	QT
01	0531044062	FRAME ASSEMBLY WITH REAR BAR	2	01
02	0531044058	ASSY MOBILE SUPPORT	3	01
03	0521028961	BOX WITH COMPONENTS	12	01



Item	Code	Description	See page	QT
01	0531065022	RIGHT BAR FRAME LOCK		01
02	0531065021	LEFT BAR FRAME LOCK		01
03	0503010233	5/8" X 2-1/2" BOLT		02
04	0503011084	3/4" X 5" BOLT		04
05	0503010023	3/4" SPRING WASHER		04
06	0503010013	5/8 NUT		02
07	0503010014	3/4" HEX NUT		04
08	0581015170	SLEEVE		04
09	0531064911	RIGHT FRAME		01
10	0531063606	LEFT FRAME		01



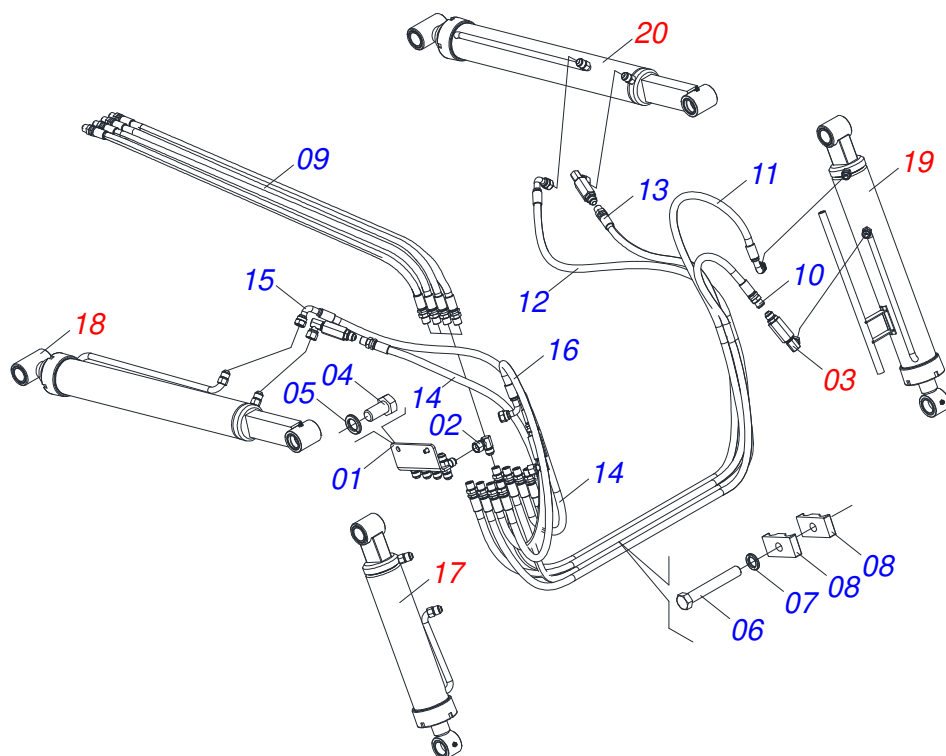
Item	Code	Description	See page	QT
01	0531065062	MOVABLE SUPPORT		01
02	0502012947	SUPPORT BARS		02
03	0503035532	MOBILE SUPPORT COVER		02
04	0501217671	HOSE PROTECTION		01
05	0503035468	HOSE PROTECTION		02
06	0521068692	LEVEL ROD		01
07	0521067968	ROD GUIDE		01
08	0581010243	WASHER HEX		04
09	0503010143	1/4" SPRING WASHER		04
10	0591010982	WASHER SPACER		04
11	0503010044	1-1/4" SELF LOCKING NUT		08
12	0581016852	BOLT		04
13	0581014286	PRISONER		02
14	0501012803	FLAT WASHER		02
15	0503010180	7/16" SPRING WASHER		02
16	0581016851	BOLT		04
17	0503010743	1/4" X 1-1/4" BOLT		04
18	0503010060	1/2 UNC G.5 ZN HEX NUT		02
19	0531011180	UPPER BODY CLIP		02
20	0503010002	1800 GREASE FITTING		08
21	0503019901	INTERNAL THREAD RIVET RM 1/4 P30S		04
22	0503010001	3.2 X 5.5 RIVET		04
23	0503011372	102 TO 121 CLAMP		01
24	0581010285	CONTROL LOCKING HOOK		01
25	0503031087	ADHESIVE LABEL		01
26	0503031428	READ MANUAL DECAL		01
27	0503031827	LUBRICATE AND RETIGHTEN DAILY DECAL		01
28	0503034003	SERIAL NUMBER TAG 61 X 118		01
29	0503034078	LIFTING POINTS DECAL		02
30	0503064050	ADHESIVE LABEL SET		01
31	0909095418	HIDRAULIC SYSTEM MOBILE SUPPORT	4	01



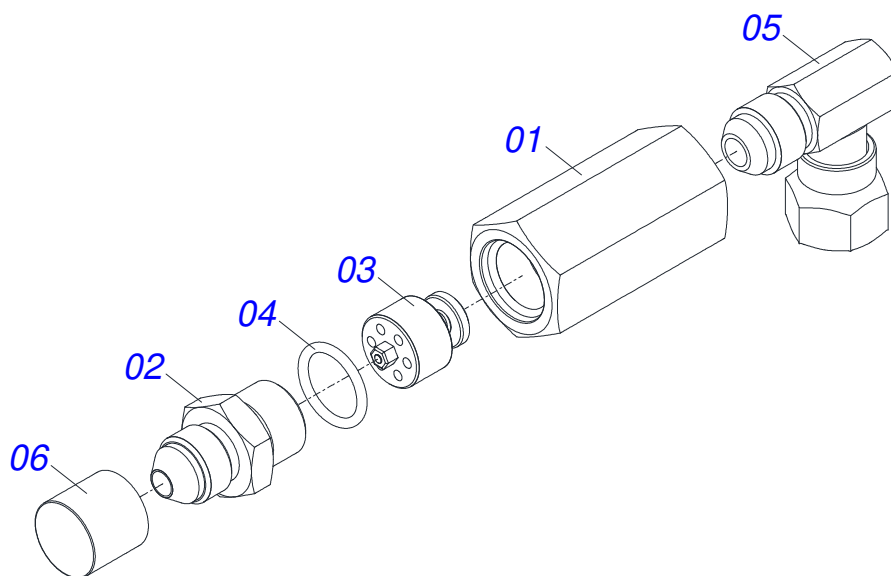
ASSY MOBILE SUPPORT

0531044058

Item	Code	Description	See page	QT
32	0909091735	JACK ASSEMBLY	10	01
33	0909096695	ARTICULATION ASSEMBLY	11	01
34	0503036237	ADHESIVE LABEL SAFETY REMOVE SHELL IN MOTION		01
35	0503036238	ADHESIVE LABEL SAFETY LOCKING HYDRAULIC CYLINDERS		01
36	0503036239	ADHESIVE LABEL ATTENTION FLUIDS WITH PRESSURE		01
37	0503036240	ADHESIVE LABEL SAFETY DO NOT CLIMB ON THE RAISED SHELL		01
38	0503036241	ADHESIVE LABEL SAFETY CAUTION SHOCK HAZARD		01
39	0503036246	ADHESIVE LABEL ATTENTION LOCK IN PROCEDURES AND SERVICES		01
40	0503010244	7/16" NUT		02
41	0581011170	HOSE PLASTIC PROTECTION SPRING		01

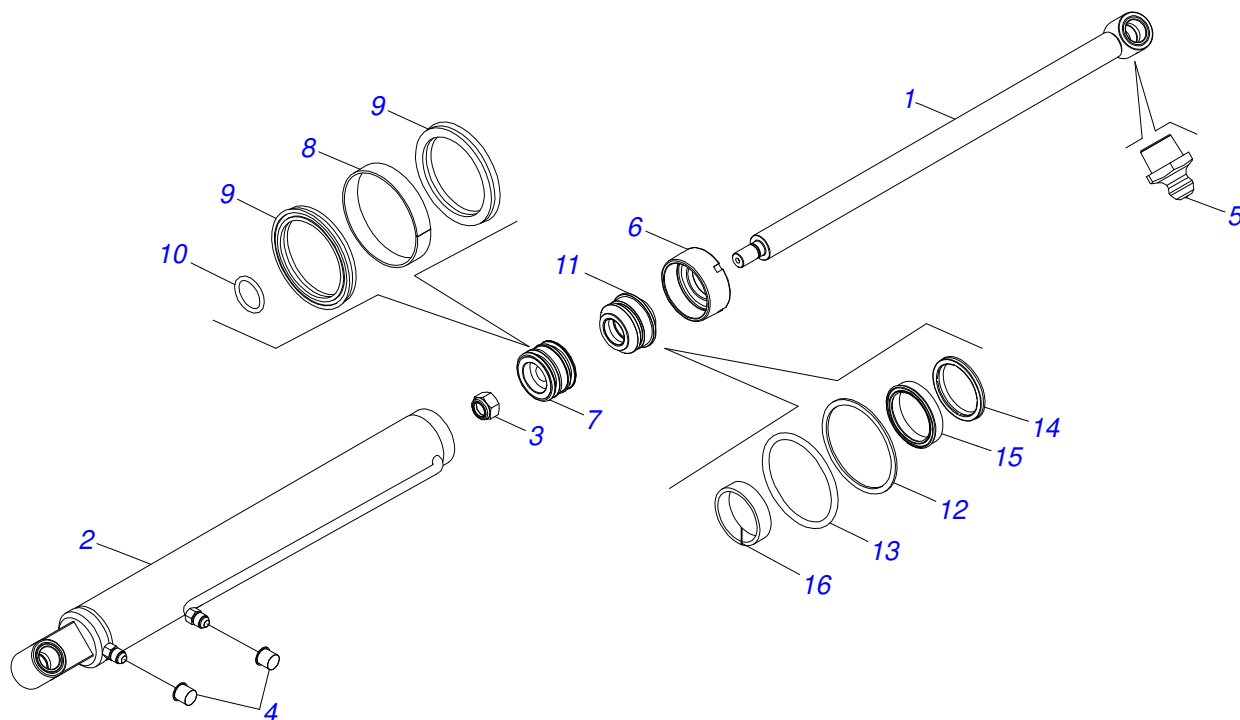


Item	Code	Description	See page	QT
01	0521068963	DIVIDING		01
02	0503018033	37 X R.7/8 UNF 90° JIC MALE CONNECTOR WITH ROTATING NUT		04
03	0511057771	R.7/8UNF - SAFETY VALVE	5	04
04	0503010256	3/8" X 3/4" BOLT		02
05	0503010025	3/8 SPRING WASHER		02
06	0503012555	SCREW 7/16 UNC X 2 CS RT G.7 ZN		01
07	0503010180	7/16" SPRING WASHER		01
08	0502010477	HOSE CLAMP		02
09	0501080828	HOSE		04
10	0501080603	HOSE		01
11	0501080618	1/2" X 2200 TR-TC HOSE		01
12	0501081388	1/2 X 2350 TR-TC HOSE		01
13	0501082044	HOSE		01
14	0501080021	1/2 X 1300 TR-TR HOSE ASSY		02
15	0501080059	1/2" X 61" TR-TC HOSE ASSY		01
16	0501080030	1/2 X 1350 TR-TC HOSE		01
17	0521052499	RIGHT HYDRAULIC CYLINDER	6	01
18	0521052500	RH HYDRAULIC CYLINDER	7	01
19	0521052497	HYDRAULIC CYLINDER	8	01
20	0521052501	LEFT HYDRAULIC CYLINDER	9	01

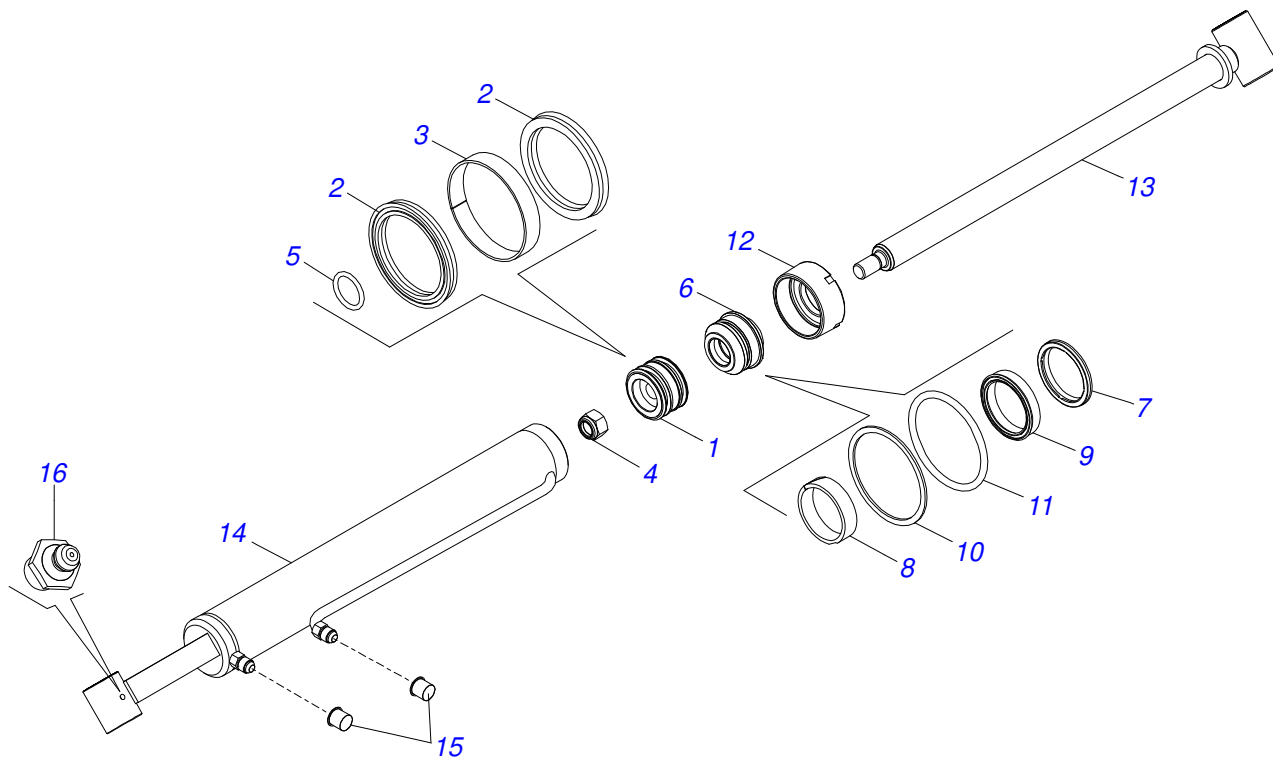


Item	Code	Description	See page	QT
01	0503018033	37 X R.7/8 UNF 90° JIC MALE CONNECTOR WITH ROTATING NUT		01
02	0581014053	1/2 BSP X 7/8 UNF JIC X 64 ADAPTER		01
03	0503016854	VALVE ASSY		01
04	0503010045	O'RING		01
05	0581014052	1/2 BSP X 7/8 UNF JIC X 43 NIPLE		01
06	0503030387	PLUG		01

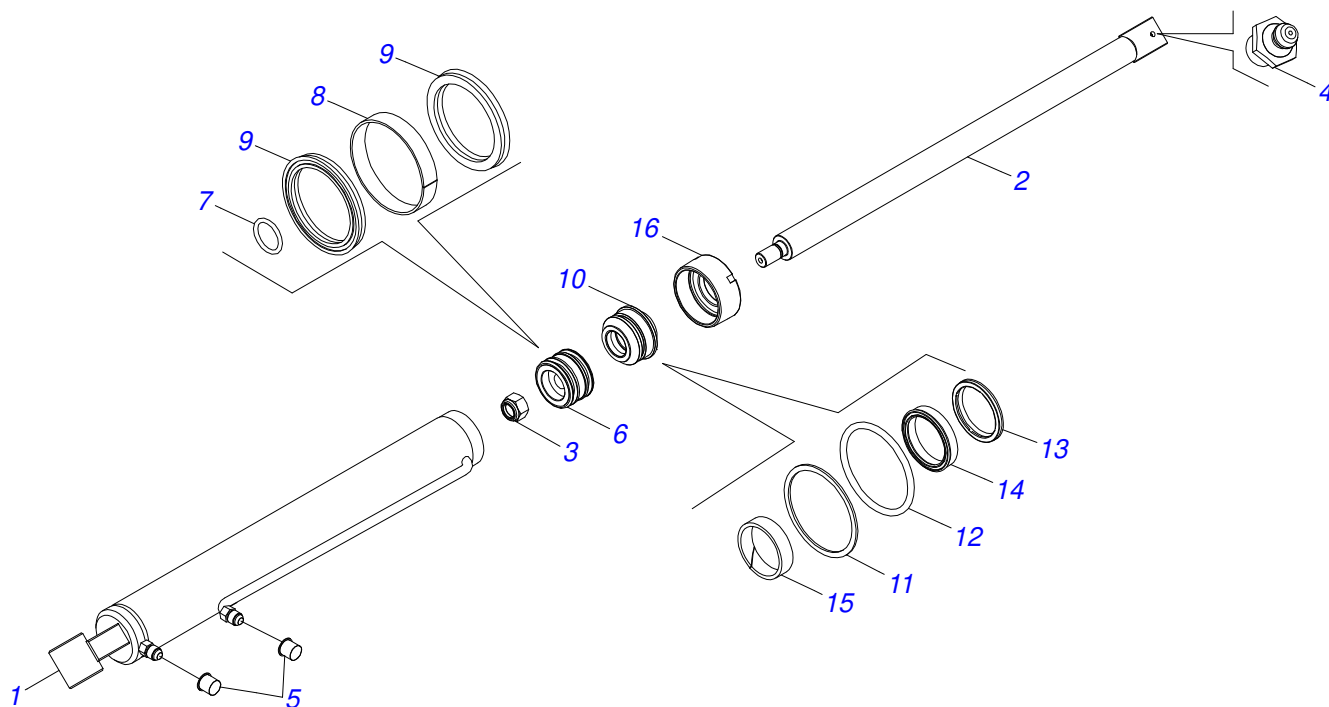
RIGHT HYDRAULIC CYLINDER



Item	Code	Description	See page	QT
01	0521068628	TURNBUCKLE		01
02	0521068525	CASE BODY		01
03	0503010063	1" SELF-ALIGNING NUT		01
04	0503030387	PLUG		02
05	0503010002	1800 GREASE FITTING		01
06	0502010993	DETACHABLE COVER		01
07	0502010843	1.8" X 3.4" PISTON		01
08	0503010948	W4-3346-590 PK RING G.E		01
09	0503010170	PACKING 3120 2750		02
10	0503010042	2-214 N 3006-9B O'RING		01
11	0502010781	RING SUPPORT		01
12	0503011060	8-336 BACK-UP RING		01
13	0503010976	2-336 N 3006-9B O'RING		01
14	0503010761	D-1750 SCRAPER RING		01
15	0503010990	GASKET		01
16	0503010949	W2-2000-500 PK RING G.E		01

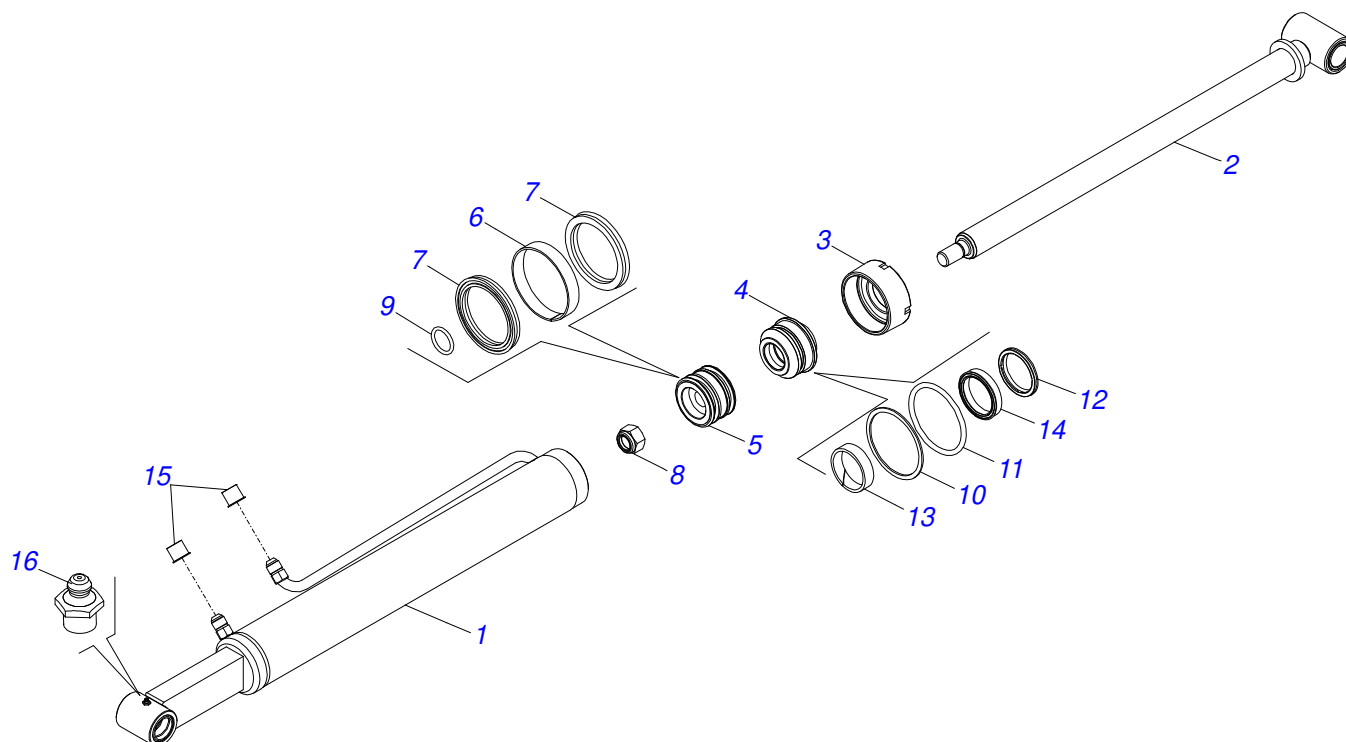


Item	Code	Description	See page	QT
01	0502010843	1.8" X 3.4" PISTON		01
02	0503010170	PACKING 3120 2750		02
03	0503010948	W4-3346-590 PK RING G.E		01
04	0503010063	1" SELF-ALIGNING NUT		01
05	0503010042	2-214 N 3006-9B O'RING		01
06	0502010781	RING SUPPORT		01
07	0503010761	D-1750 SCRAPER RING		01
08	0503010949	W2-2000-500 PK RING G.E		01
09	0503010990	GASKET		01
10	0503011060	8-336 BACK-UP RING		01
11	0503010976	2-336 N 3006-9B O'RING		01
12	0502010993	DETACHABLE COVER		01
13	0521068627	TURNBUCKLE		01
14	0521068638	RH CYLINDER CASE		01
15	0503030387	PLUG		02
16	0503010002	1800 GREASE FITTING		01
17	0501031796	HYDRAULIC CYLINDER REPAIR KIT		01

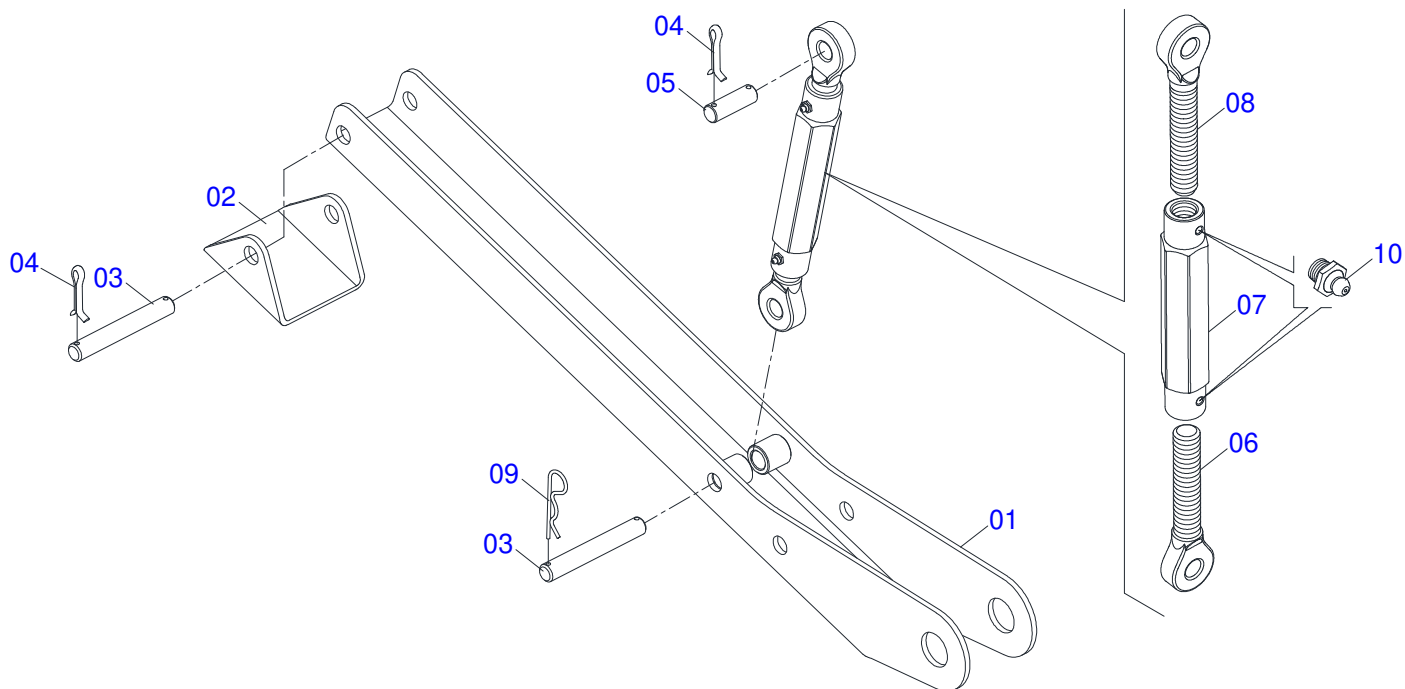


Item	Code	Description	See page	QT
01	0521068524	CASE BODY		01
02	0521068628	TURNBUCKLE		01
03	0503010063	1" SELF-ALIGNING NUT		01
04	0503010002	1800 GREASE FITTING		01
05	0503030387	PLUG		02
06	0502010843	1.8" X 3.4" PISTON		01
07	0503010042	2-214 N 3006-9B O'RING		01
08	0503010948	W4-3346-590 PK RING G.E		01
09	0503010170	PACKING 3120 2750		02
10	0502010781	RING SUPPORT		01
11	0503011060	8-336 BACK-UP RING		01
12	0503010976	2-336 N 3006-9B O'RING		01
13	0503010761	D-1750 SCRAPER RING		01
14	0503010990	GASKET		01
15	0503010949	W2-2000-500 PK RING G.E		01
16	0502010993	DETACHABLE COVER		01

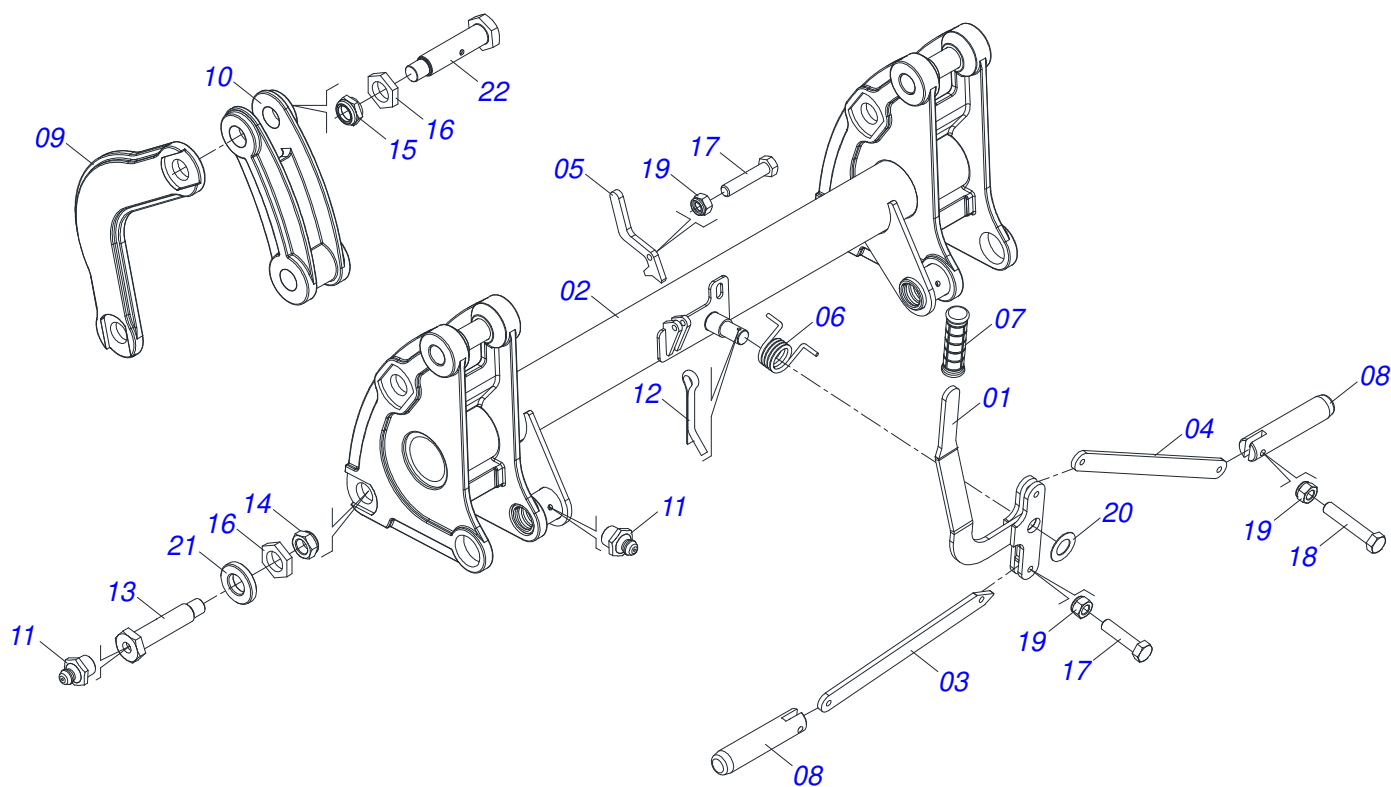
LEFT HYDRAULIC CYLINDER



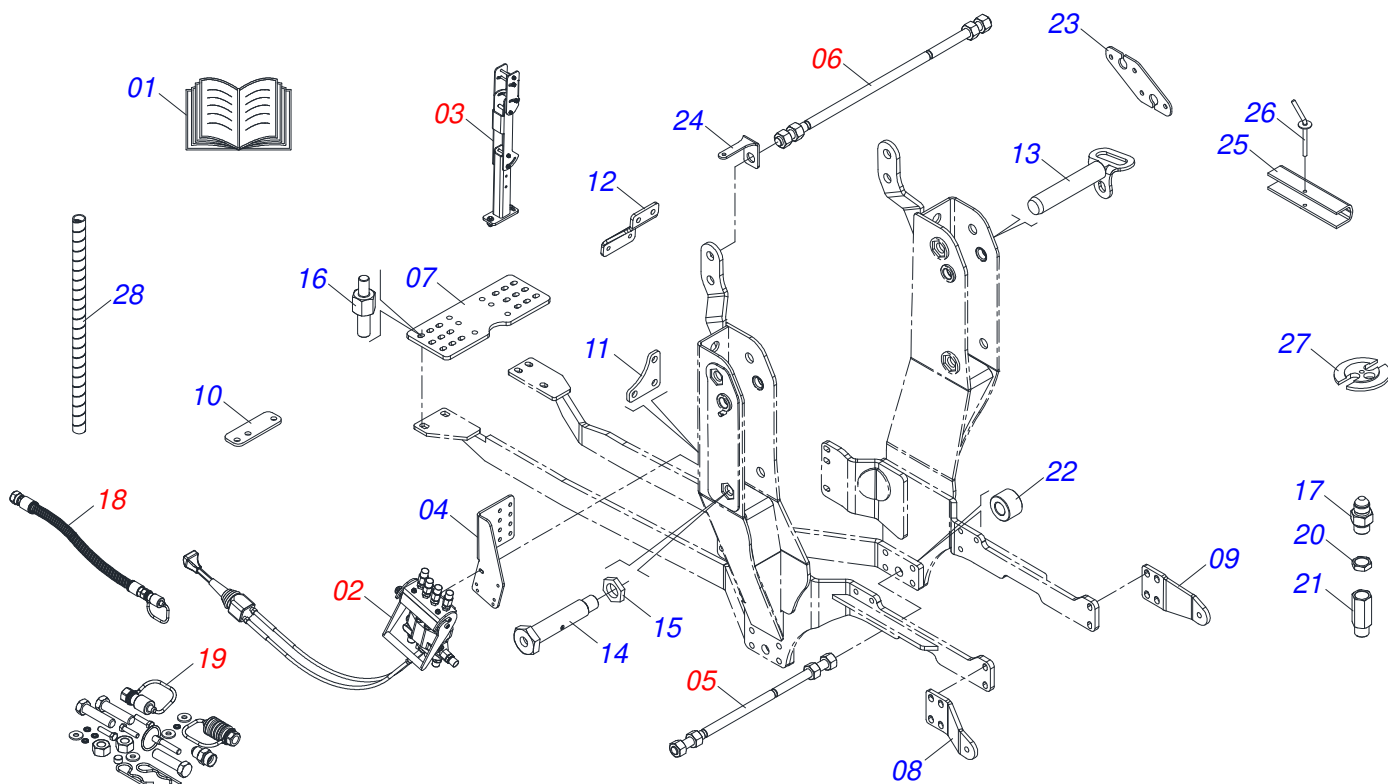
Item	Code	Description	See page	QT
01	0521068636	LH CYLINDER CASE		01
02	0521068627	TURNBUCKLE		01
03	0502010993	DETACHABLE COVER		01
04	0502010781	RING SUPPORT		01
05	0502010843	1.8" X 3.4" PISTON		01
06	0503010948	W4-3346-590 PK RING G.E		01
07	0503010170	PACKING 3120 2750		02
08	0503010063	1" SELF-ALIGNING NUT		01
09	0503010042	2-214 N 3006-9B O'RING		01
10	0503011060	8-336 BACK-UP RING		01
11	0503010976	2-336 N 3006-9B O'RING		01
12	0503010761	D-1750 SCRAPER RING		01
13	0503010949	W2-2000-500 PK RING G.E		01
14	0503010990	GASKET		01
15	0503030387	PLUG		02
16	0503010002	1800 GREASE FITTING		01
17	0501031796	HYDRAULIC CYLINDER REPAIR KIT		01



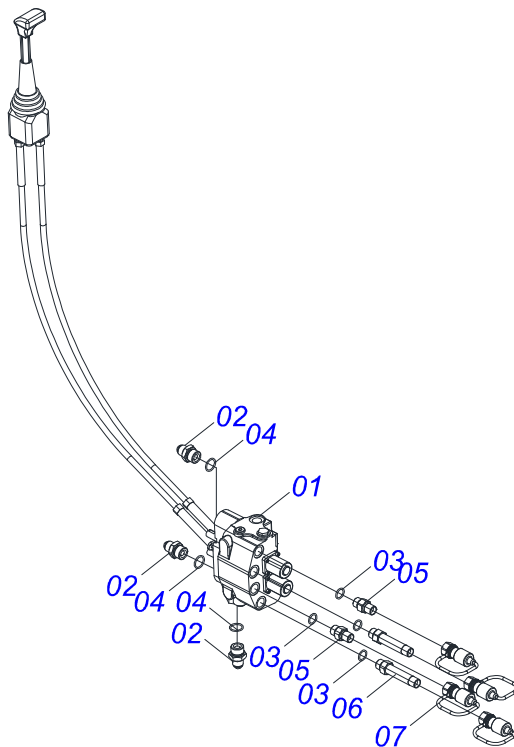
Item	Code	Description	See page	QT
01	0531065278	SUPPORT ARM		02
02	0501217660	SUPPORT ARM		02
03	0571018253	3/4 X 133 COUPLING SHAFT		04
04	0503010071	3/16" X 1" COTTERPIN		10
05	0561015578	3/4 X 56 COUPLING SHAFT		02
06	0502012562	LEFT SPINDLE R1 X 160		02
07	0502012530	REGULATOR NUT BODY R1		02
08	0502012529	RIGHT SPINDLE R1 X 160		02
09	0503030012	HITCH PIN CLIP		02
10	0503010002	1800 GREASE FITTING		04



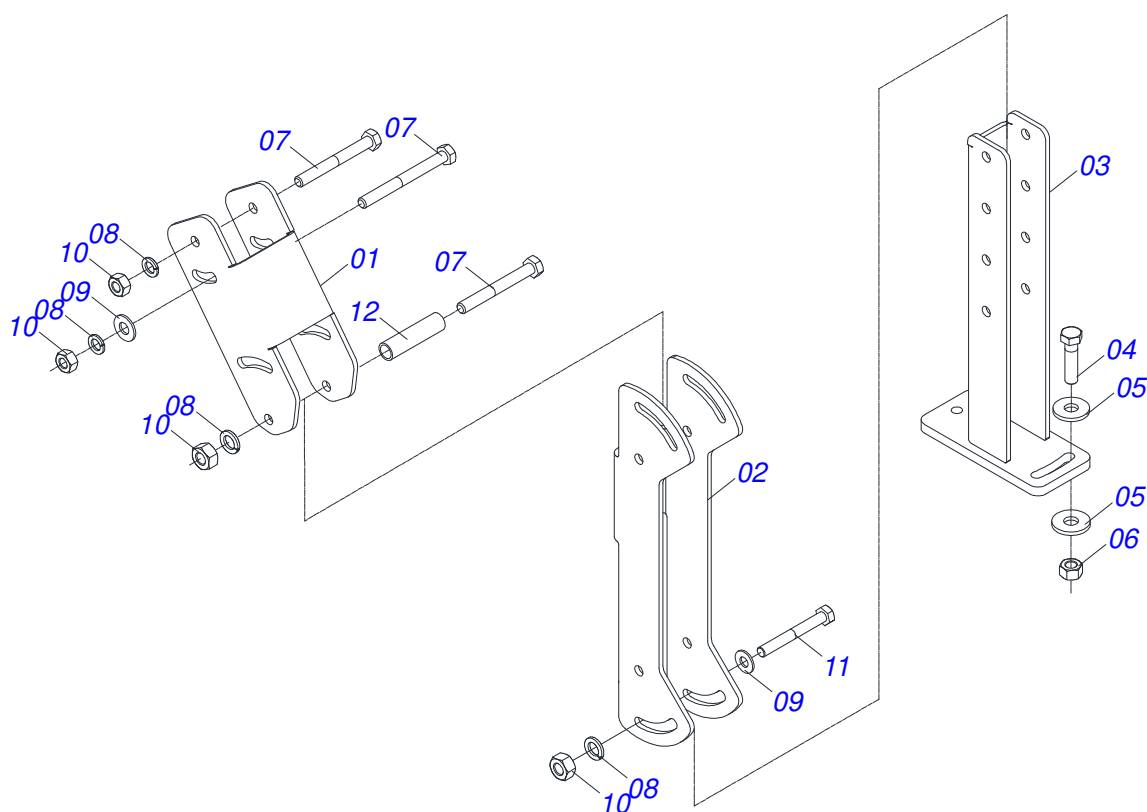
Item	Code	Description	See page	QT
01	0521065888	LEVER		01
02	0531060874	ARTICULATOR		01
03	0571018125	RIGHT ARM OF THE UNLOCK		01
04	0571018935	SPRING SUPPORT ARM		01
05	0571018934	PENDULUM LOCKS		01
06	0503034192	TORSION SPRING		01
07	0503037382	25 X 120 PVC HANDLE		01
08	0571018129	PIN LOCK ACCESSORY		02
09	0502012946	SUPPORT ARM		04
10	0502012948	SUPPORT		02
11	0503010002	1800 GREASE FITTING		10
12	0503010523	1/4" X 2" COTTERPIN		01
13	0581016851	BOLT		04
14	0503010044	1-1/4" SELF LOCKING NUT		07
15	0571018205	1.1/4" X UNF NUT WITH RECESS		01
16	0581010243	WASHER HEX		08
17	0503010849	3/8" X 1-1/2" BOLT		03
18	0503011236	3/8" X 2" BOLT		02
19	0503013357	3/8 SELF-ADJUSTING NUT		05
20	0561011883	FLAT WASHER		01
21	0521011100	FLAT WASHER		02
22	0581013410	1.1/4" UNF X 155 BOLT		04



Item	Code	Description	See page	QT
01	0511033668	BAG WITH INSTRUCTION MANUAL		01
02	0521047927	1/2" CONTROL	13	01
03	0531044005	SET SUPPORT JOY STICK	14	01
04	0501218082	CONTROL FIXING BASE		01
05	0521047924	ROD	15	01
06	0511043351	1.1/4" X 40" ROD	16	01
07	0501217915	BACK PLATE FIXING FRAME		01
08	0501217919	LEFT STOP		01
09	0501217920	RIGHT STOP		01
10	0501218117	BACK SHIM		02
11	0501218129	SPACER SHIMS RIGHT LEFT FRAME		02
12	0501217918	DIESEL OIL FILTER FIXING SUPPORT		01
13	0531065321	FIXING AXIS MOBILE SUPPORT		02
14	0501218077	1.1/4 UNF X 178 BOLT		02
15	0501216423	WASHER HEX 37,8 X 58 X 9,50		02
16	0581016773	STUD		04
17	0561018342	1" NF NIPPLE		01
18	0521052701	HOSE ASSY	17	01
19	0511033079	PACKAGED PARTS	18	01
20	0581016949	LOCKNUT		01
21	0581016628	ADAPTER BODY		01
22	0581017017	SLEEVE		04
23	0501218130	HEADLIGHT SUPPORT		02
24	0501217853	HEADLIGHT SUPPORT		02
25	0501217728	LOCK FOR TRANSPORTATION		02
26	0501068994	8,30 X 78 LOCK PIN		02
27	0501217989	CABLE CONTROL PLUG		02
28	0581010090	SPRING PROTECTION PLASTIC HOSE		02

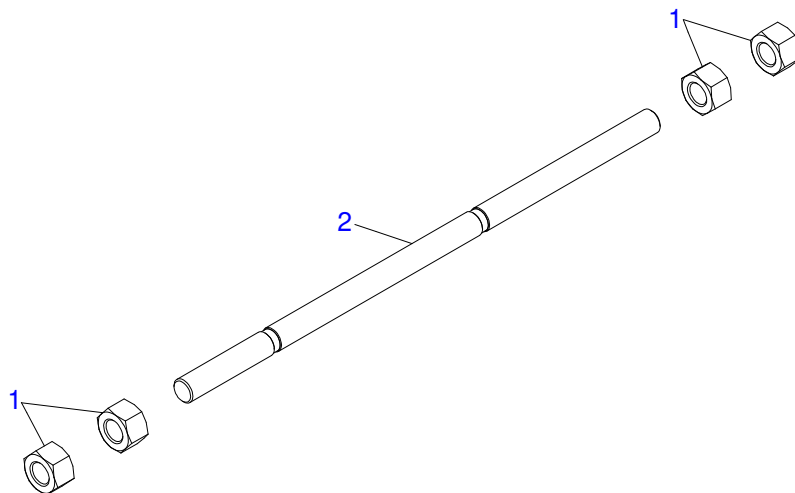


Item	Code	Description	See page	QT
01	0503062415	COMPLETE JOYSTICK CONTROL SDM122/2		01
02	0511018014	7/8"NF X 1.1/16 UN NIPPLE		03
03	0503010045	O'RING		04
04	0503011109	2-119 N 3006-9B O'RING		03
05	0581014145	ADAPTER ASSY		02
06	0581014120	STRAIGHT ADAPTER		02
07	0501053834	MALE QUICK COUPLER		04

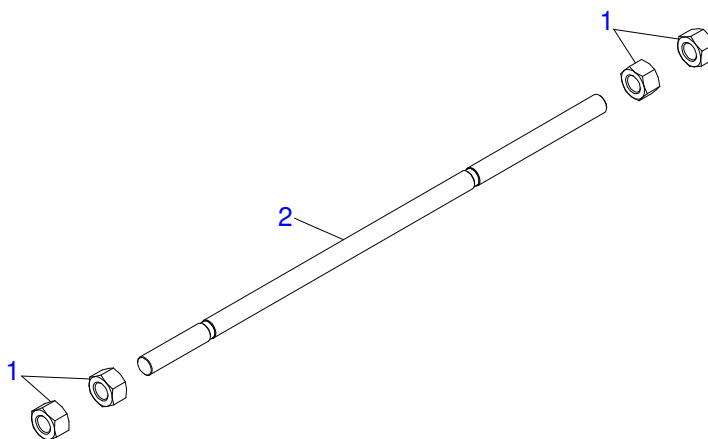


Item	Code	Description	See page	QT
01	0501217764	UPPER BODY JOYSTICK SUPPORT		01
02	0501217765	CENTRAL BODY JOYSTICK SUPPORT		01
03	0531065170	JOYSTICK BOTTOM SUPPORT		01
04	0503010849	3/8" X 1-1/2" BOLT		02
05	0501010984	10,50 X 27 X 3,00 FLAT WASHER		04
06	0503010026	3/8" NUT		02
07	0503010848	5/16" X 3.1/2" BOLT		04
08	0503010179	LOCK WASHER 5/16 ZN 1K01528		06
09	0501010694	FLAT WASHER		06
10	0503010337	5/16" NUT		06
11	0503011053	5/16" X 3" C S 6.5 ZN BOLT		02
12	0541015551	0.39" X 0.512" X 1.9" SLEEVE		02

ROD

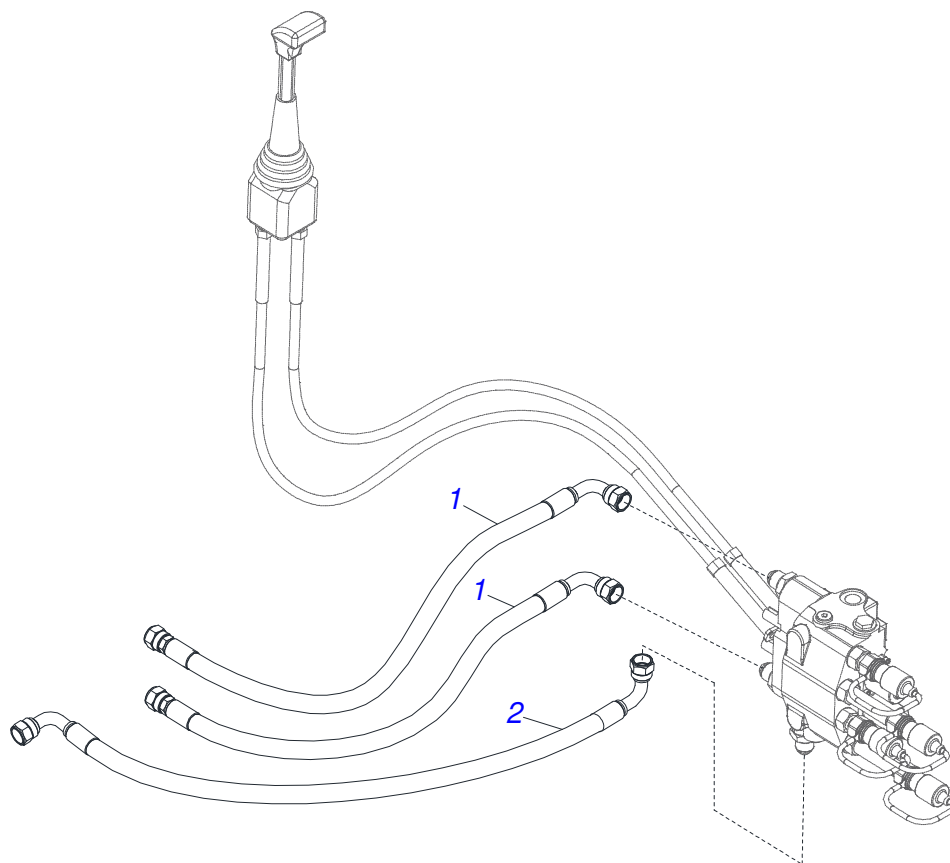


Item	Code	Description	See page	QT
01	0501010087	1.1/4" NUT		04
02	0581016870	ROD		01

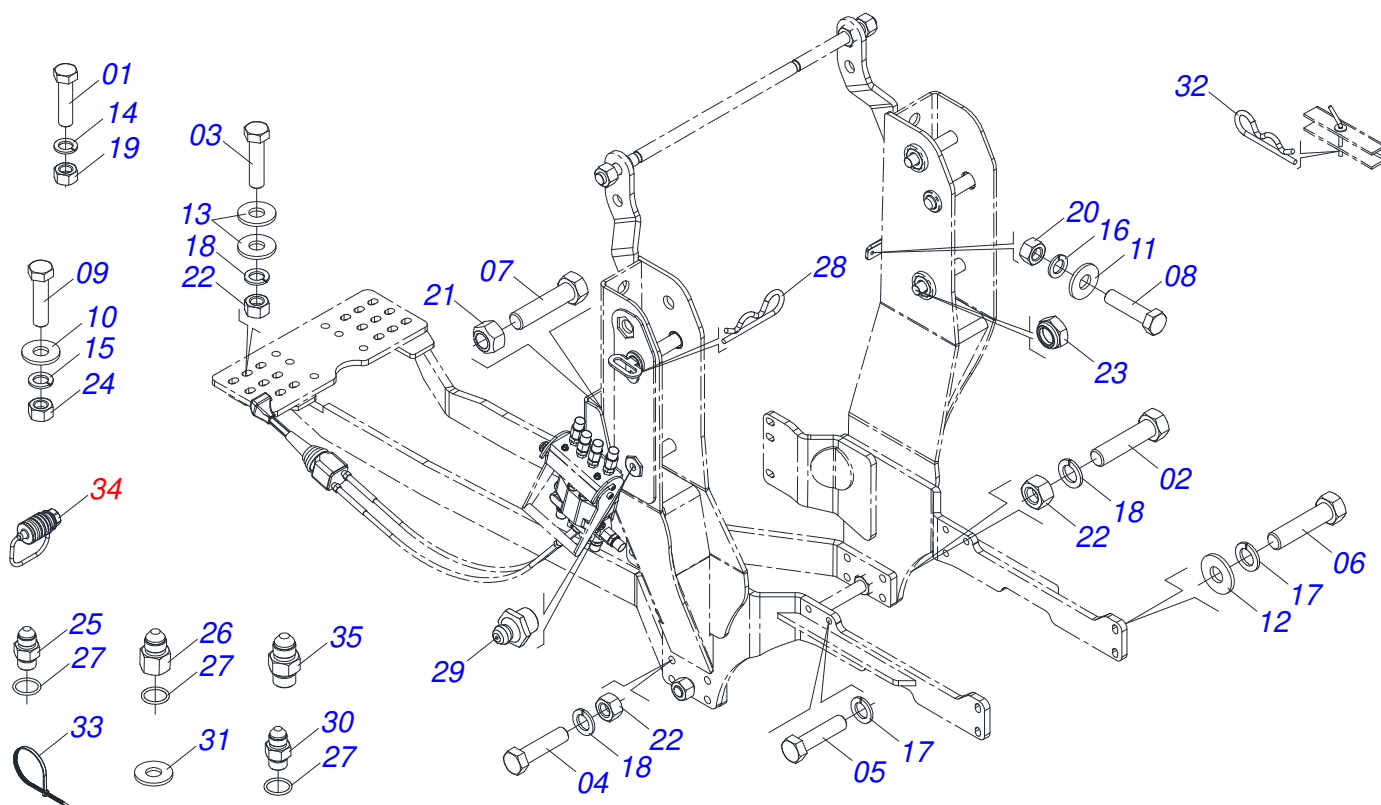


Item	Code	Description	See page	QT
01	0501010087	1.1/4" NUT		04
02	0541015018	ROD 1.1/4 NC X 1000		01

HOSE ASSY



Item	Code	Description	See page	QT
01	0501080495	1/2" X 98,4" TR-TC HOSE		02
02	0501080786	1/2" X 98,4" TC-TC HOSE		01



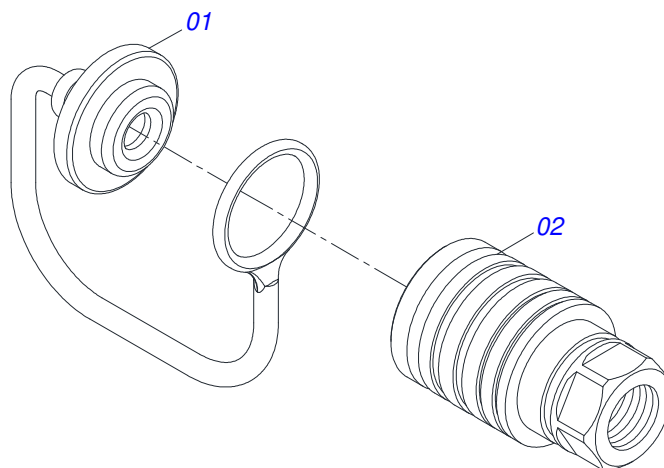
Item	Code	Description	See page	QT
01	0503017866	3/16" X 1,1/2" BOLT	01	01
02	0503011084	3/4" X 5" BOLT	04	04
03	0501010500	3/4" X 3" BOLT	08	08
04	0503013390	3/4" UNC BOLT	04	04
05	0503012573	M16 X 2 X 65 BOLT	12	12
06	0503019419	BOLT	04	04
07	0501010063	1/2" X 1-1/2" BOLT	04	04
08	0503010849	3/8" X 1-1/2" BOLT	02	02
09	0503016506	5/16 UNC X 3/4 C S G.5 ZN BOLT	08	08
10	0501010694	FLAT WASHER	04	04
11	0501010984	10,50 X 27 X 3,00 FLAT WASHER	02	02
12	0501012140	FLAT WASHER	10	10
13	0501010322	FLAT WASHER	08	08
14	0503010668	3/16" SPRING WASHER	01	01
15	0503010179	LOCK WASHER 5/16 ZN 1K01528	08	08
16	0503010025	3/8 SPRING WASHER	02	02
17	0503010027	5/8 SPRING WASHER	16	16
18	0503010023	3/4" SPRING WASHER	16	16
19	0503010667	3/16" NUT	01	01
20	0503010026	3/8" NUT	02	02
21	0503011336	1/2" HEX SELF ADJUSTING NUT	04	04
22	0503010014	3/4" HEX NUT	16	16
23	0503010044	1-1/4" SELF LOCKING NUT	02	02
24	0503013759	NUT	04	04
25	0501010590	NIPPLE	01	01
26	0571019584	7/8 UNF NIPLE	01	01
27	0503010190	2-114 N 3006-9B O'RING	03	03
28	0503030012	HITCH PIN CLIP	02	02
29	0503010002	1800 GREASE FITTING	02	02
30	0581016941	NIPPLE	01	01
31	0591010147	FLAT WASHER	04	04



PACKAGED PARTS

0511033079

Item	Code	Description	See page	QT
32	0503030168	HITCH PIN CLIP		02
33	0503013527	CLAMP ZIPER		10
34	0501053835	FEMALE QUICK COUPLER	19	04
35	0511014065	7/8" NF X R1/2NPT X 52 NIPPLE		04



Item	Code	Description	See page	QT
01	0503011883	QUICK CONNECTION COVER		01
02	0503011628	FEMALE QUICK COUPLER		01



ANNOTATION

A series of horizontal lines for writing, providing a template for the annotation.





MARCHESAN

Technical Publications | Elaboration and Revision

LEONARDO JOSÉ DA SILVA SOUZA

www.marchesan.com.br

