

PCA - AGRICULTURAL FRONT LOADER

PCA 600 NH 5.80/5.90/5.100 BT SC ESP

Code: 0501093509

Series: S-0117

Revision: 00

Date Revision: ABRIL/2023

PARTS CATALOGUE



MARCHESAN



PRODUCTS

| Code | Description |
|------------|---|
| 0106112114 | PCA 600 NH 5.80/5.90/5.100 BT SC ESP S-0117 |

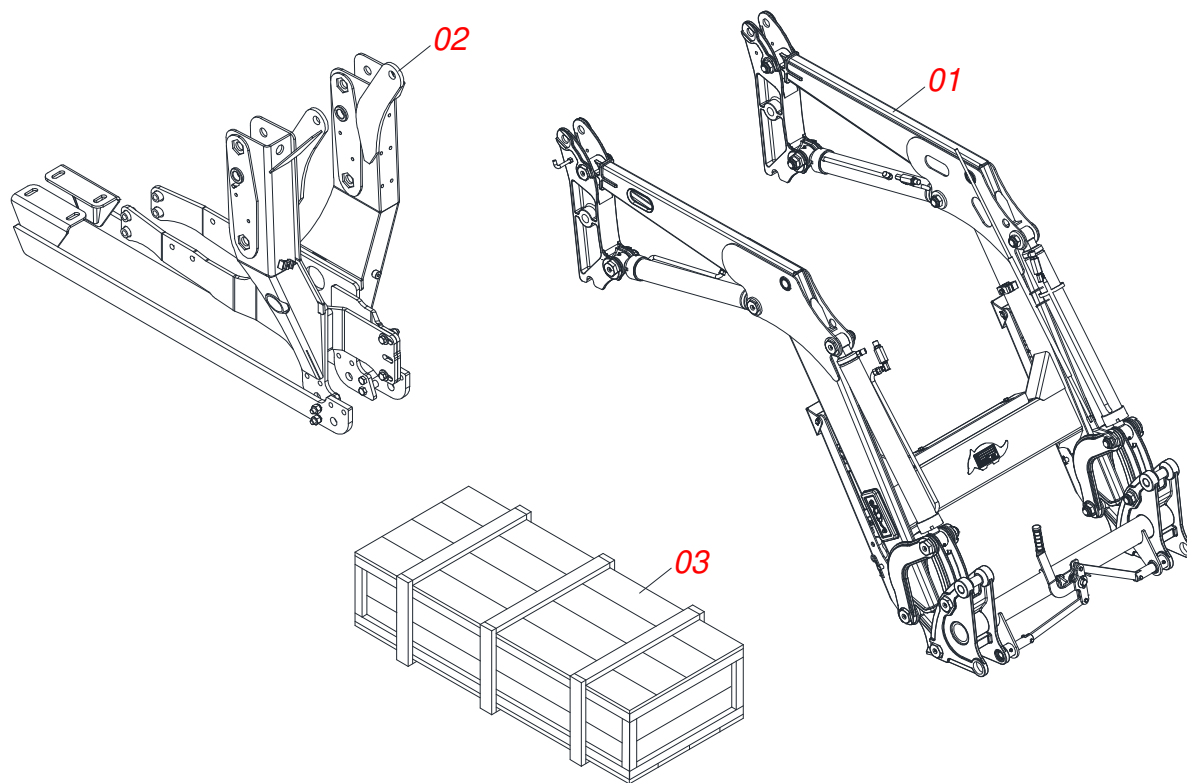
ATTENTION: IMPORTANT

Marchesan S.A. reserves the right to improve and/or modify the technical features of its products, without obligation to do the same with those products already sold and without prior knowledge of the dealer or the customer. The photos are only illustrative.

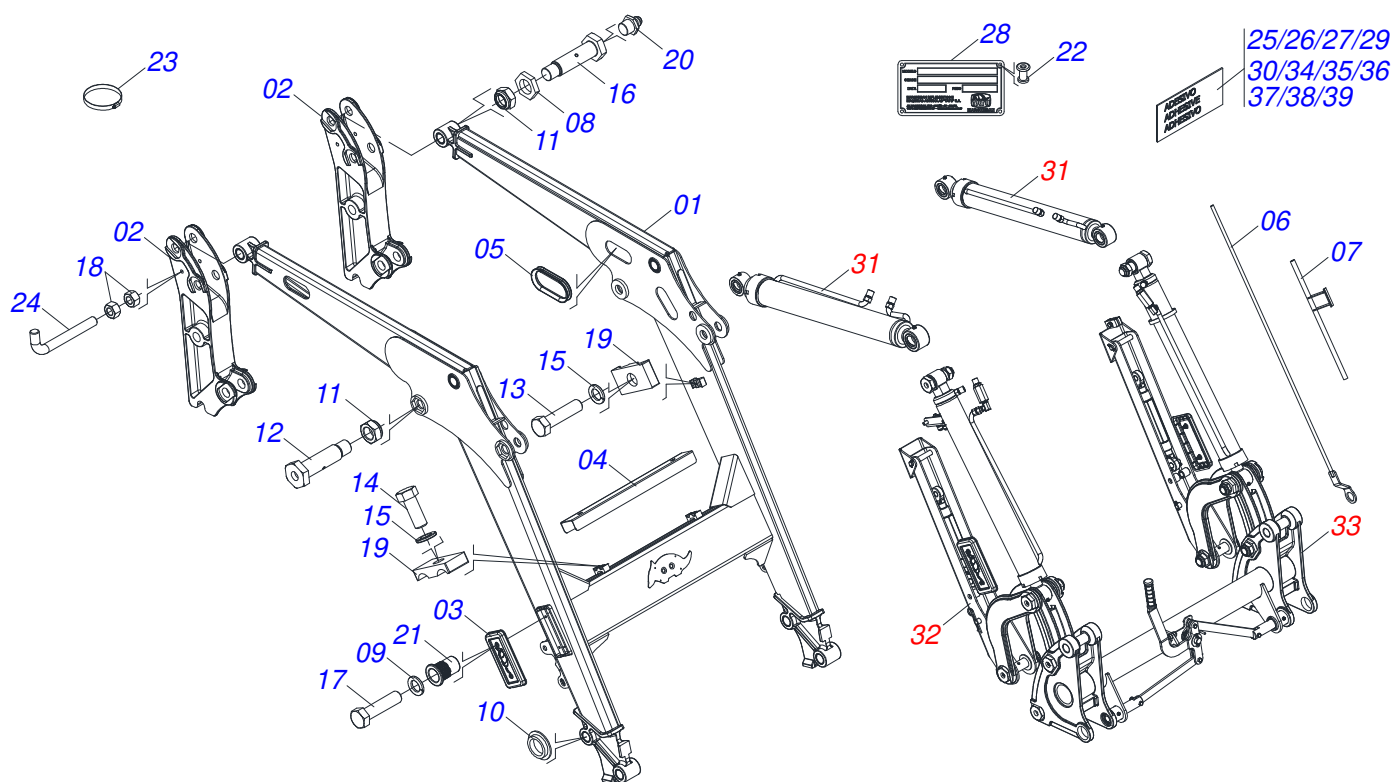


INDEX

| | | | |
|------------|--|-------|----|
| 0106112114 | PCA 600 NH 5.80/5.90/5.100 BT SC ESP S-0117 | | 1 |
| 0531044033 | MOBILE SUPPORT ASSY | | 2 |
| 0909096624 | HYDRAULIC ASSEMBLY | | 3 |
| 0521050256 | 44,45 X 76,20 X 845 X 555 RIGHT HYDRAULIC CYLINDER | | 4 |
| 0521050255 | 44,45 X 76,20 X 845 X 555 LEFT HYDRAULIC CYLINDER | | 5 |
| 0521045380 | 44,45 X 76,10 X 918 RIGHT HYDRAULIC CYLINDER | | 6 |
| 0521045379 | 44,45 X 76,10 X 918 LEFT HYDRAULIC CYLINDER | | 7 |
| 0511057772 | SECURITY VALVE ASSY | | 8 |
| 0909096625 | JACK ASSEMBLY | | 9 |
| 0909096626 | ARTICULATION ASSEMBLY | | 10 |
| 0531044049 | FRAME SET WITH REAR BAR | | 11 |
| 0521028940 | BOX WITH COMPONENTS | | 12 |
| 0511043351 | 1.1/4" X 40" ROD | | 13 |
| 0501042819 | 1.1/4" NC X 33.46" ASSY ROD | | 14 |
| 0511034456 | PACKAGED PARTS | | 15 |
| 0501053834 | MALE QUICK COUPLER | | 16 |



| Item | Code | Description | See page | QT |
|------|------------|-------------------------|----------|----|
| 01 | 0531044033 | MOBILE SUPPORT ASSY | 2 | 01 |
| 02 | 0531044049 | FRAME SET WITH REAR BAR | 11 | 01 |
| 03 | 0521028940 | BOX WITH COMPONENTS | 12 | 01 |



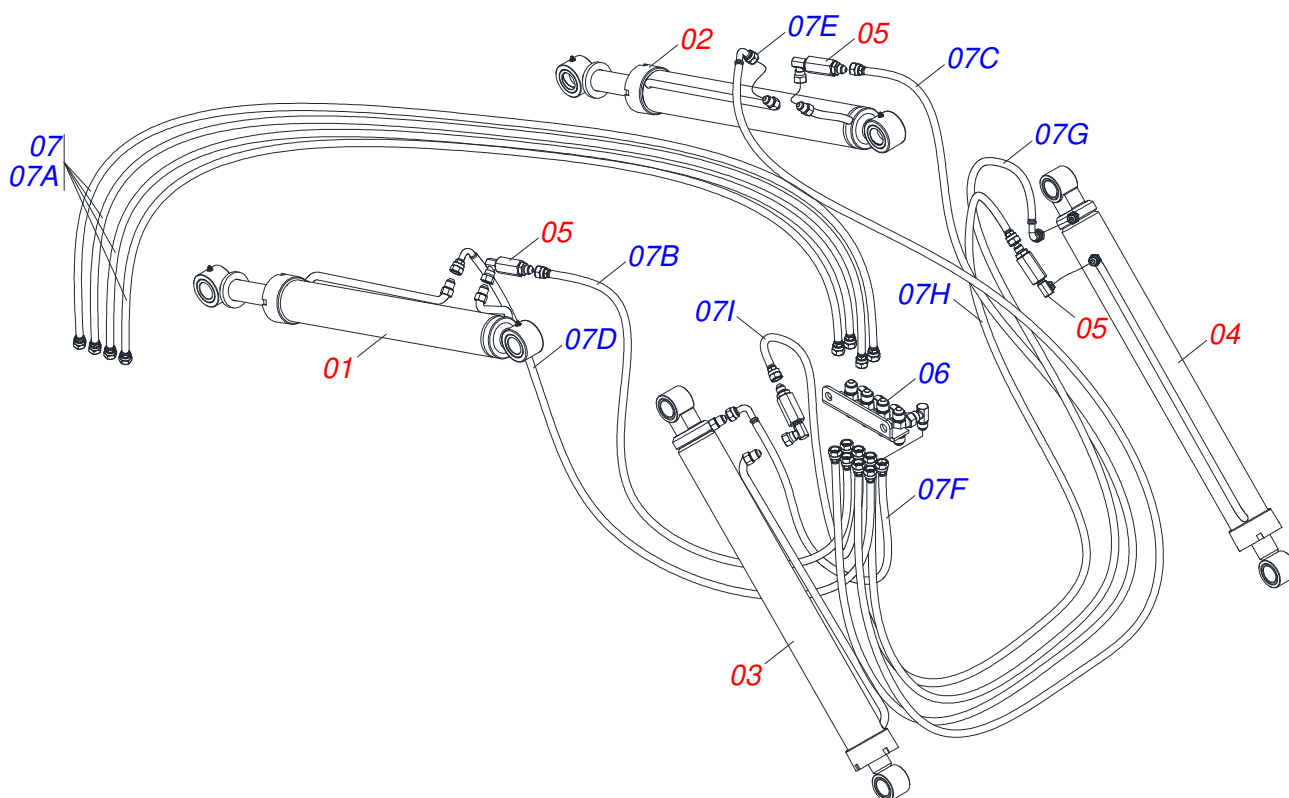
| Item | Code | Description | See page | QT |
|------|------------|-------------------------------------|----------|----|
| 01 | 0531062878 | MOBILE SUPPORT | | 01 |
| 02 | 0502012950 | TOWER | | 02 |
| 03 | 0503035448 | COVER | | 02 |
| 04 | 0501217671 | HOSE PROTECTION | | 01 |
| 05 | 0503034364 | HOSE PROTECTOR | | 02 |
| 06 | 0531065451 | LEVELING ROD | | 01 |
| 07 | 0531065450 | GUIDE STICK | | 01 |
| 08 | 0501216423 | WASHER HEX 37,8 X 58 X 9,50 | | 04 |
| 09 | 0503010143 | 1/4" SPRING WASHER | | 04 |
| 10 | 0591010982 | WASHER SPACER | | 04 |
| 11 | 0503010044 | 1-1/4" SELF LOCKING NUT | | 08 |
| 12 | 0571018265 | 1.1/4" UNF X 4,40" ZN BOLT | | 04 |
| 13 | 0503012555 | SCREW 7/16 UNC X 2 CS RT G.7 ZN | | 03 |
| 14 | 0503011338 | 7/16" X 1" BOLT | | 02 |
| 15 | 0503010180 | 7/16" SPRING WASHER | | 05 |
| 16 | 0501218615 | 1.1/4" UNF X 4,37" BOLT | | 04 |
| 17 | 0503010461 | 1/4" X 1" BOLT | | 04 |
| 18 | 0503010060 | 1/2 UNC G.5 ZN HEX NUT | | 02 |
| 19 | 0502010477 | HOSE CLAMP | | 04 |
| 20 | 0503010002 | 1800 GREASE FITTING | | 12 |
| 21 | 0503019901 | INTERNAL THREAD RIVET RM 1/4 P30S | | 04 |
| 22 | 0503010001 | 3.2 X 5.5 RIVET | | 04 |
| 23 | 0503011372 | 102 TO 121 CLAMP | | 01 |
| 24 | 0581010285 | CONTROL LOCKING HOOK | | 01 |
| 25 | 0503031087 | ADHESIVE LABEL | | 01 |
| 26 | 0503031428 | READ MANUAL DECAL | | 01 |
| 27 | 0503031827 | LUBRICATE AND RETIGHTEN DAILY DECAL | | 01 |
| 28 | 0503034003 | SERIAL NUMBER TAG 61 X 118 | | 01 |
| 29 | 0503034078 | LIFTING POINTS DECAL | | 02 |
| 30 | 0503064049 | ADHESIVE LABEL SET | | 01 |
| 31 | 0909096624 | HYDRAULIC ASSEMBLY | 3 | 01 |



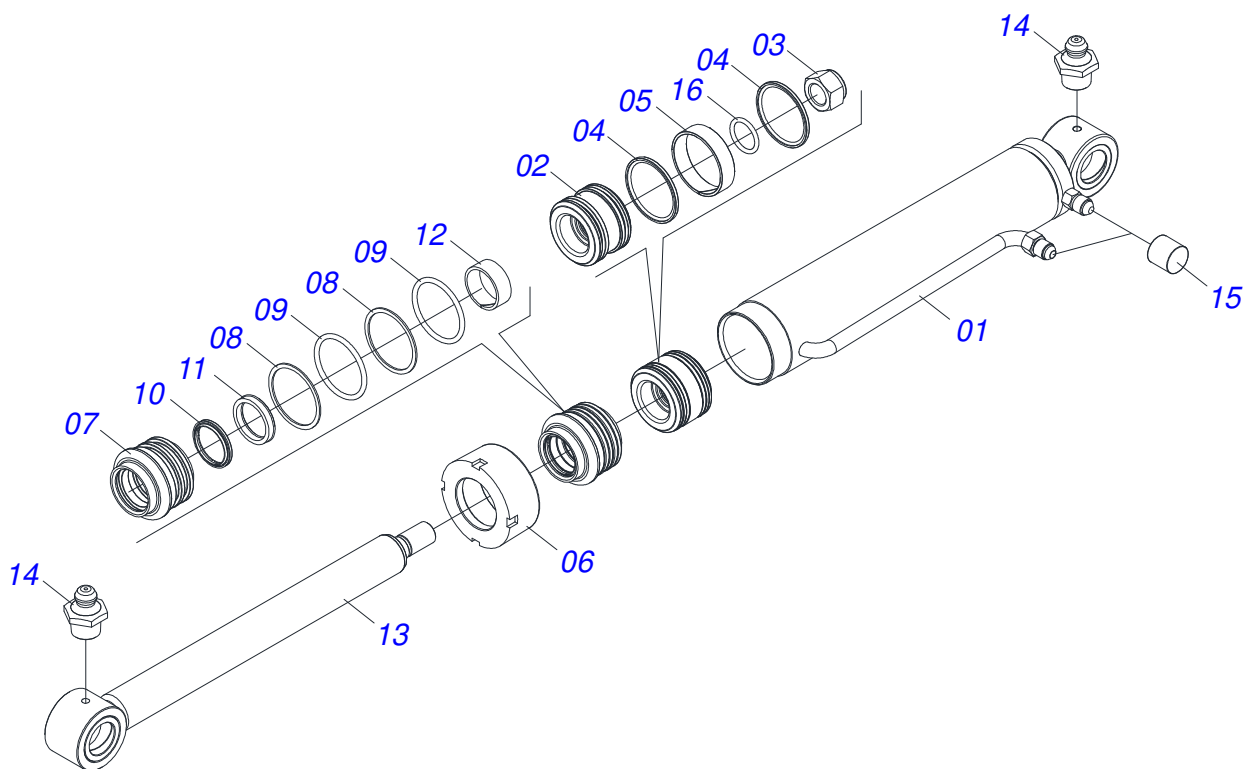
MOBILE SUPPORT ASSY

0531044033

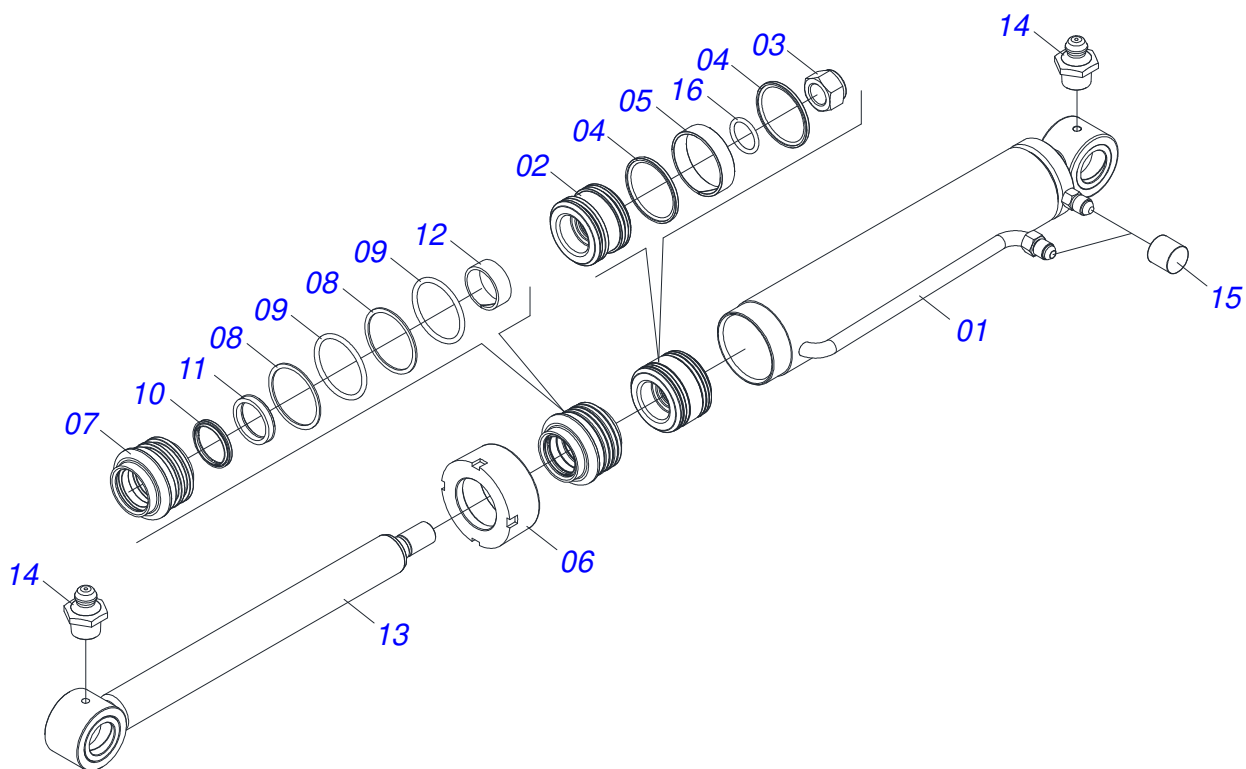
| Item | Code | Description | See page | QT |
|------|------------|--|----------|----|
| 32 | 0909096625 | JACK ASSEMBLY | 9 | 01 |
| 33 | 0909096626 | ARTICULATION ASSEMBLY | 10 | 01 |
| 34 | 0503036237 | ADHESIVE LABEL SAFETY REMOVE SHELL IN MOTION | | 01 |
| 35 | 0503036238 | ADHESIVE LABEL SAFETY LOCKING HYDRAULIC CYLINDERS | | 01 |
| 36 | 0503036239 | ADHESIVE LABEL ATTENTION FLUIDS WITH PRESSURE | | 01 |
| 37 | 0503036240 | ADHESIVE LABEL SAFETY DO NOT CLIMB ON THE RAISED SHELL | | 01 |
| 38 | 0503036241 | ADHESIVE LABEL SAFETY CAUTION SHOCK HAZARD | | 01 |
| 39 | 0503036246 | ADHESIVE LABEL ATTENTION LOCK IN PROCEDURES AND SERVICES | | 01 |



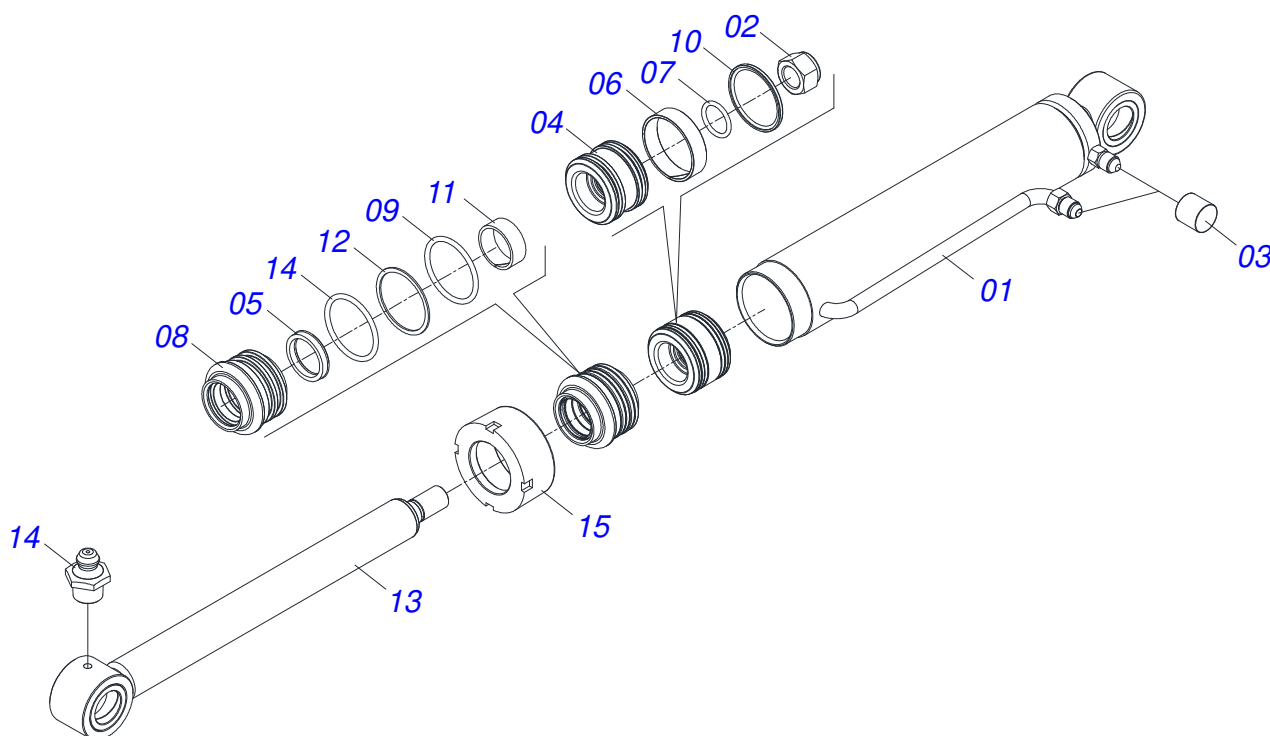
| Item | Code | Description | See page | QT |
|------|------------|--|----------|----|
| 01 | 0521050256 | 44,45 X 76,20 X 845 X 555 RIGHT HYDRAULIC CYLINDER | 4 | 01 |
| 02 | 0521050255 | 44,45 X 76,20 X 845 X 555 LEFT HYDRAULIC CYLINDER | 5 | 01 |
| 03 | 0521045380 | 44,45 X 76,10 X 918 RIGHT HYDRAULIC CYLINDER | 6 | 01 |
| 04 | 0521045379 | 44,45 X 76,10 X 918 LEFT HYDRAULIC CYLINDER | 7 | 01 |
| 05 | 0511057772 | SECURITY VALVE ASSY | 8 | 04 |
| 06 | 0521069023 | HOSE DIVIDER | | 01 |
| 07 | 0511056982 | HOSE SET MOBILE SUPPORT | | 01 |
| 07A | 0501080452 | 3/8" X 98" TR-TR HOSE | | 04 |
| 07B | 0501080127 | 3/8" X 45,2" TR-TR HOSE | | 01 |
| 07C | 0501080483 | 3/8" X 86,6" TR-TR HOSE | | 01 |
| 07D | 0501080348 | 3/8" X 47,2" TR-TC HOSE | | 01 |
| 07E | 0501080451 | 3/8" X 94,5" TR-TC HOSE | | 01 |
| 07F | 0501080375 | 3/8" X 23,6" TR-TC HOSE | | 01 |
| 07G | 0501080419 | 3/8" X 82,6" TR-TC HOSE | | 01 |
| 07H | 0501080320 | 3/8" X 82,6" TR-TR HOSE | | 01 |
| 07I | 0501080027 | 3/8" X 39,3" TR-TR HOSE | | 01 |



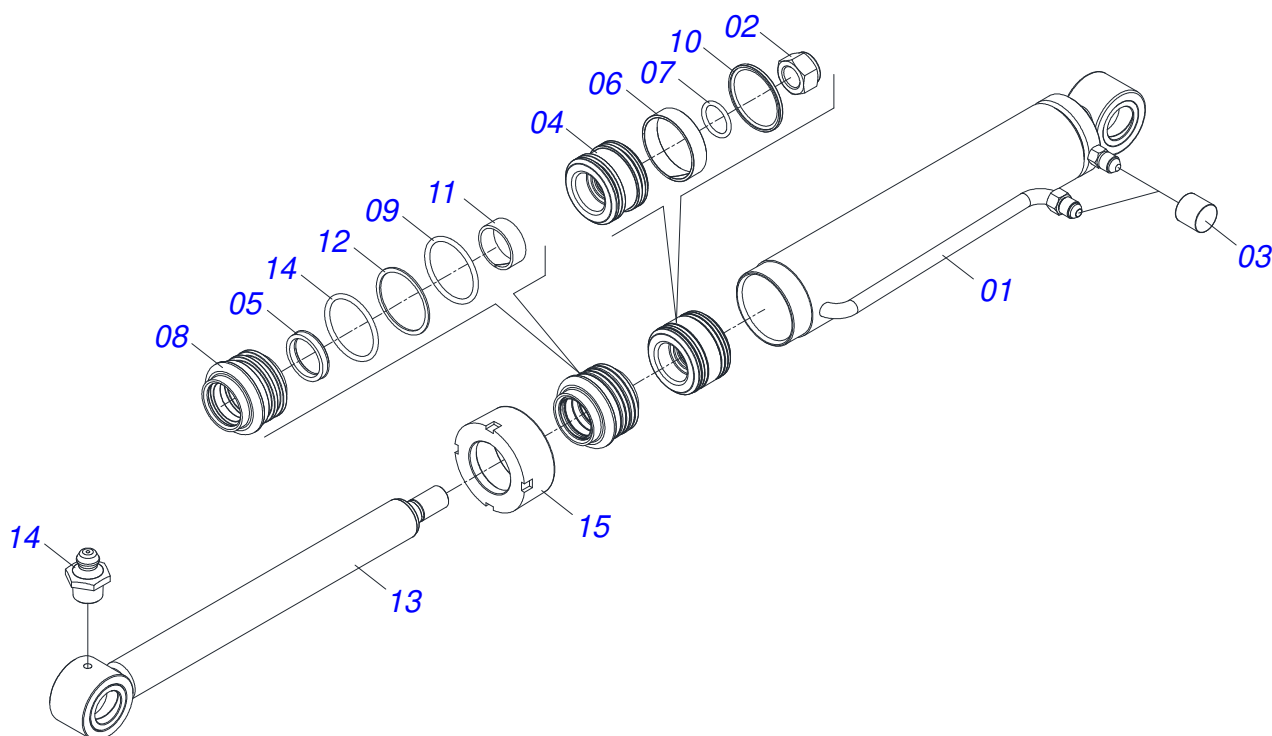
| Item | Code | Description | See page | QT |
|------|------------|------------------------------------|----------|----|
| 01 | 0521067485 | 76,20 X 740,50 RIGHT CYLINDER CASE | | 01 |
| 02 | 0581010304 | PISTON | | 01 |
| 03 | 0503010063 | 1" SELF-ALIGNING NUT | | 01 |
| 04 | 0503018138 | RING BS | | 02 |
| 05 | 0503018140 | RING GUIDE | | 01 |
| 06 | 0502011899 | MOBILE COVER | | 01 |
| 07 | 0581010301 | RING SUPPORT | | 01 |
| 08 | 0503011059 | 8-334 BACK-UP RING | | 02 |
| 09 | 0503010343 | 2-334 N 3006-9B O'RING | | 02 |
| 10 | 0503010761 | D-1750 SCRAPER RING | | 01 |
| 11 | 0503017937 | GASKET | | 01 |
| 12 | 0503017938 | RING GUIDE | | 01 |
| 13 | 0521067543 | 44,45 X 774 AIR TURNBUCKLE | | 01 |
| 14 | 0503010002 | 1800 GREASE FITTING | | 02 |
| 15 | 0503030385 | CYLINDER PLUG N-002 | | 02 |
| 16 | 0503010042 | 2-214 N 3006-9B O'RING | | 01 |
| 17 | 0511032293 | HYDRAULIC CYLINDER REPAIR KIT | | 01 |



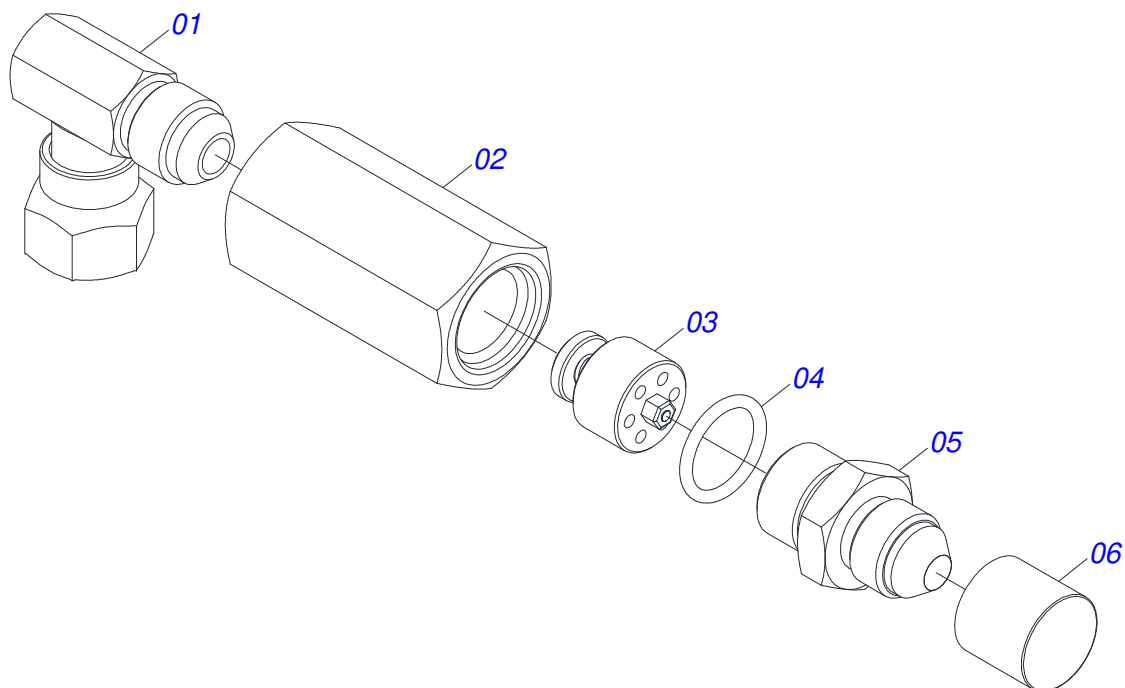
| Item | Code | Description | See page | QT |
|------|------------|-----------------------------------|----------|----|
| 01 | 0521067486 | 76,20 X 740,50 LEFT CYLINDER CASE | | 01 |
| 02 | 0581010304 | PISTON | | 01 |
| 03 | 0503010063 | 1" SELF-ALIGNING NUT | | 01 |
| 04 | 0503018138 | RING BS | | 02 |
| 05 | 0503018140 | RING GUIDE | | 01 |
| 06 | 0502011899 | MOBILE COVER | | 01 |
| 07 | 0581010301 | RING SUPPORT | | 01 |
| 08 | 0503011059 | 8-334 BACK-UP RING | | 02 |
| 09 | 0503010343 | 2-334 N 3006-9B O'RING | | 02 |
| 10 | 0503010761 | D-1750 SCRAPER RING | | 01 |
| 11 | 0503017937 | GASKET | | 01 |
| 12 | 0503017938 | RING GUIDE | | 01 |
| 13 | 0521067543 | 44,45 X 774 AIR TURNBUCKLE | | 01 |
| 14 | 0503010002 | 1800 GREASE FITTING | | 02 |
| 15 | 0503030385 | CYLINDER PLUG N-002 | | 02 |
| 16 | 0503010042 | 2-214 N 3006-9B O'RING | | 01 |
| 17 | 0511032293 | HYDRAULIC CYLINDER REPAIR KIT | | 01 |



| Item | Code | Description | See page | QT |
|------|------------|------------------------------------|----------|----|
| 01 | 0521065843 | RIGHT CYLINDER CASE WITH EXTENSION | | 01 |
| 02 | 0503010063 | 1" SELF-ALIGNING NUT | | 01 |
| 03 | 0503030385 | CYLINDER PLUG N-002 | | 02 |
| 04 | 0502011898 | 1.8" X 3.0" PISTON | | 01 |
| 05 | 0503012768 | 3750-2250 GASKET | | 02 |
| 06 | 0503010992 | W2-3000-500 PK RING G.E | | 01 |
| 07 | 0503010042 | 2-214 N 3006-9B O'RING | | 01 |
| 08 | 0502011897 | RING SUPPORT | | 01 |
| 09 | 0503010761 | D-1750 SCRAPER RING | | 01 |
| 10 | 0503010990 | GASKET | | 01 |
| 11 | 0503010949 | W2-2000-500 PK RING G.E | | 01 |
| 12 | 0503011059 | 8-334 BACK-UP RING | | 01 |
| 13 | 0521065845 | 44,45 X 839 WELDED ROD | | 01 |
| 14 | 0503010343 | 2-334 N 3006-9B O'RING | | 01 |
| 15 | 0502011899 | MOBILE COVER | | 01 |
| 16 | 0503010002 | 1800 GREASE FITTING | | 01 |
| 17 | 0501033655 | HYDRAULIC CYLINDER REPAIR KIT | | 01 |

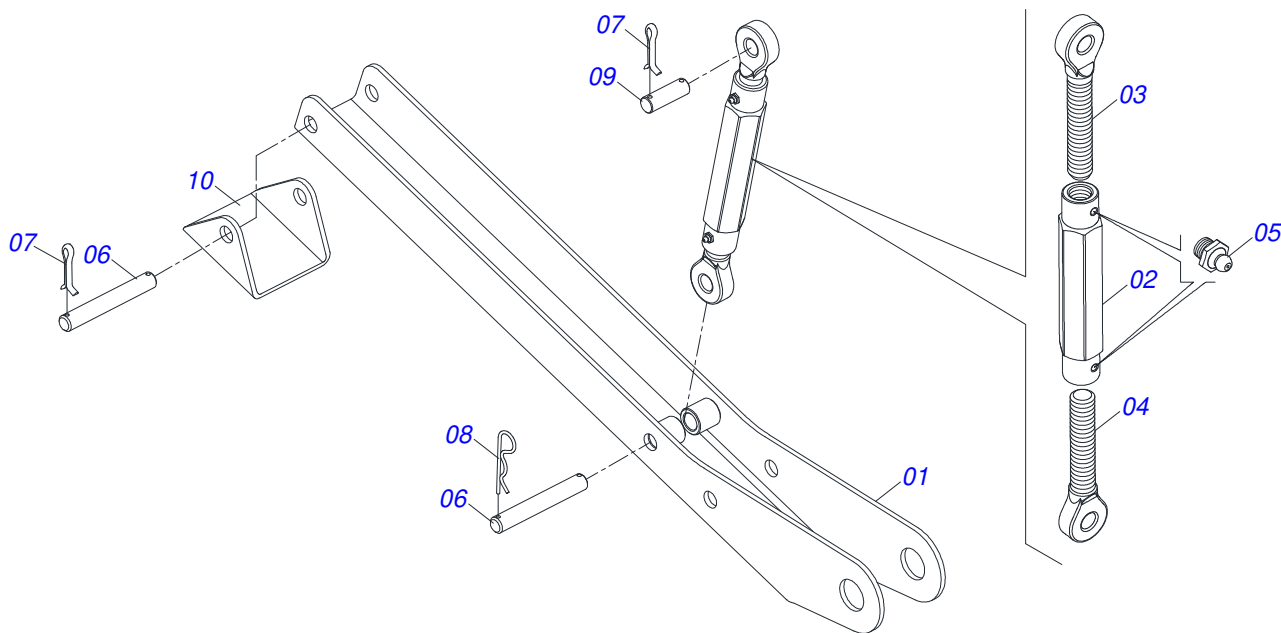


| Item | Code | Description | See page | QT |
|------|------------|-------------------------------|----------|----|
| 01 | 0521065842 | CYLINDER CASE WITH EXTENSION | | 01 |
| 02 | 0503010063 | 1" SELF-ALIGNING NUT | | 01 |
| 03 | 0503030385 | CYLINDER PLUG N-002 | | 02 |
| 04 | 0502011898 | 1.8" X 3.0" PISTON | | 01 |
| 05 | 0503012768 | 3750-2250 GASKET | | 02 |
| 06 | 0503010992 | W2-3000-500 PK RING G.E | | 01 |
| 07 | 0503010042 | 2-214 N 3006-9B O'RING | | 01 |
| 08 | 0502011897 | RING SUPPORT | | 01 |
| 09 | 0503010761 | D-1750 SCRAPER RING | | 01 |
| 10 | 0503010990 | GASKET | | 01 |
| 11 | 0503010949 | W2-2000-500 PK RING G.E | | 01 |
| 12 | 0503011059 | 8-334 BACK-UP RING | | 01 |
| 13 | 0521065845 | 44,45 X 839 WELDED ROD | | 01 |
| 14 | 0503010343 | 2-334 N 3006-9B O'RING | | 01 |
| 15 | 0502011899 | MOBILE COVER | | 01 |
| 16 | 0503010002 | 1800 GREASE FITTING | | 01 |
| 17 | 0501033655 | HYDRAULIC CYLINDER REPAIR KIT | | 01 |

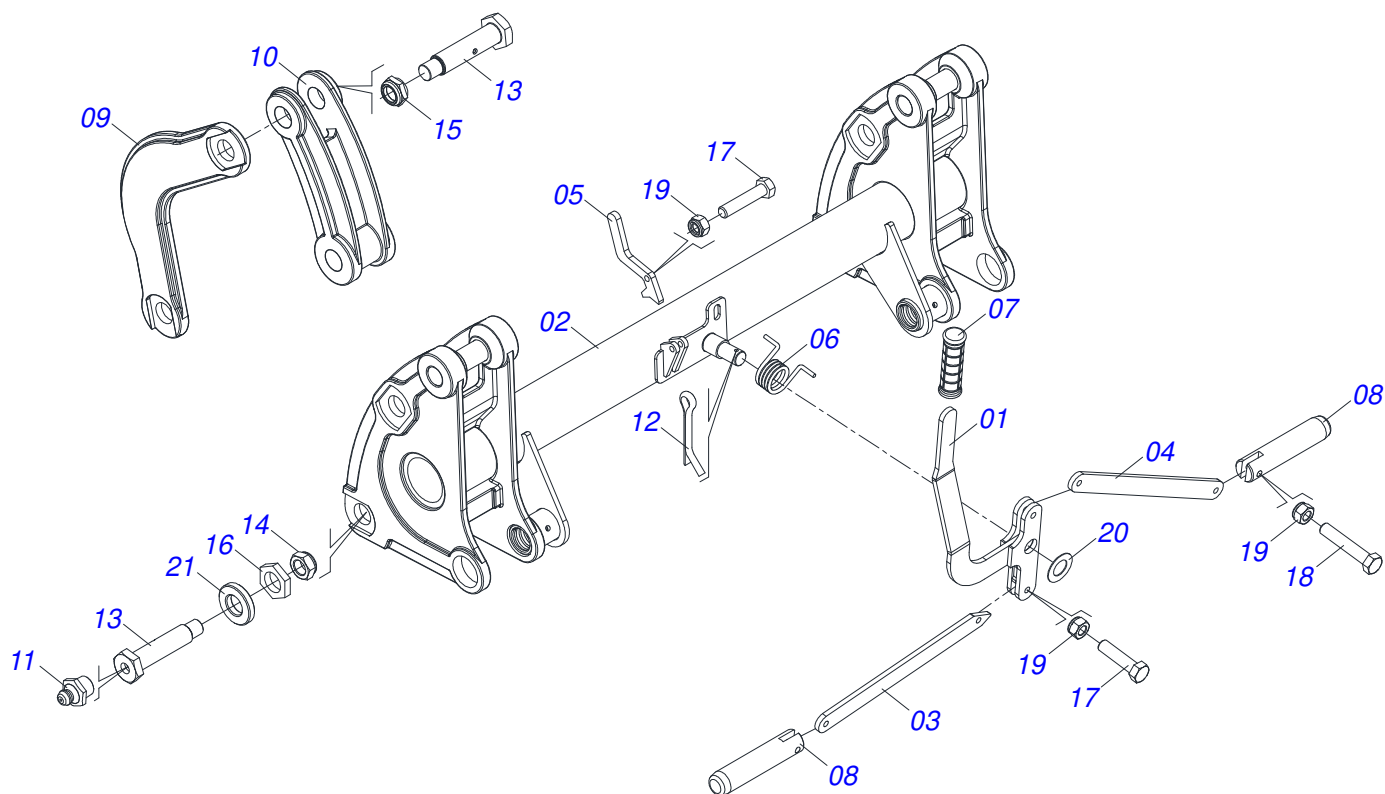


| Item | Code | Description | See page | QT |
|------|------------|---------------------|----------|----|
| 01 | 0503018034 | MALE KNEE JIC | | 01 |
| 02 | 0581014055 | ADAPTER | | 01 |
| 03 | 0503016854 | VALVE ASSY | | 01 |
| 04 | 0503010045 | O'RING | | 01 |
| 05 | 0581014054 | BSP 1/2" NIPPLE | | 01 |
| 06 | 0503030385 | CYLINDER PLUG N-002 | | 01 |

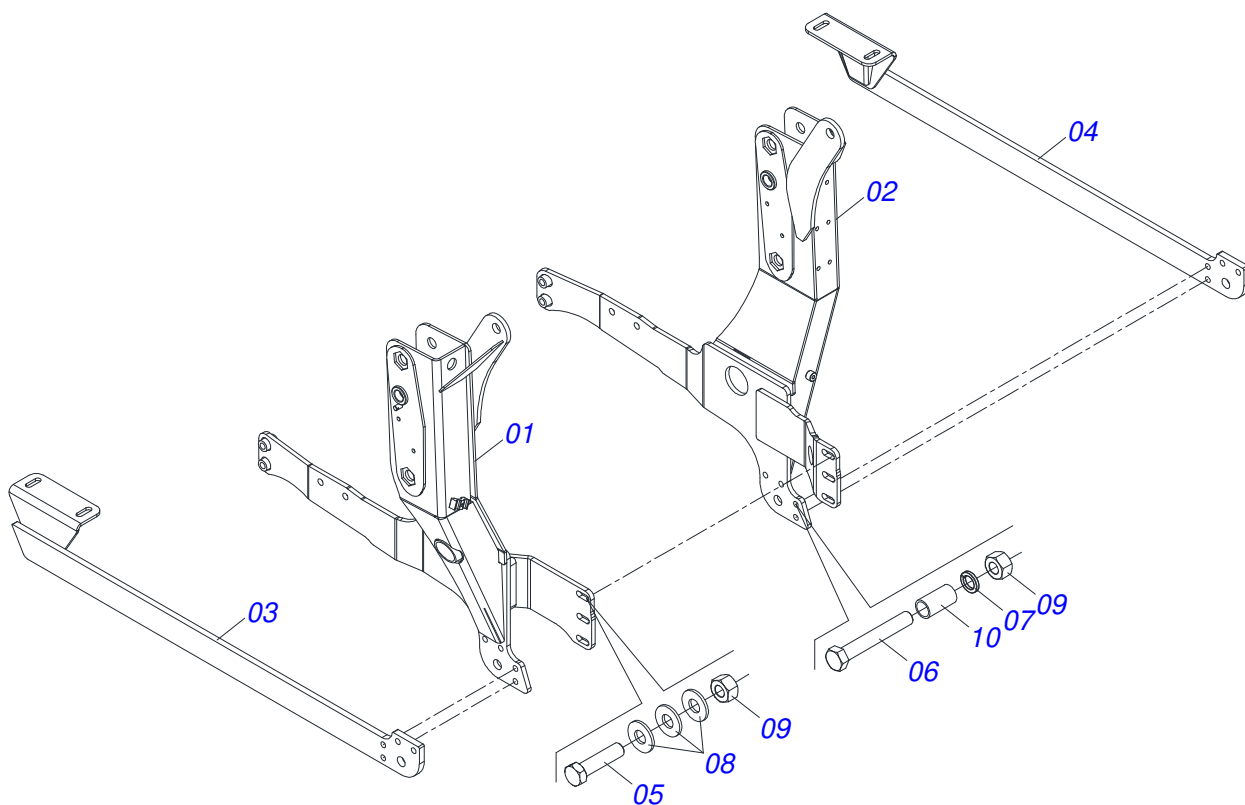
JACK ASSEMBLY



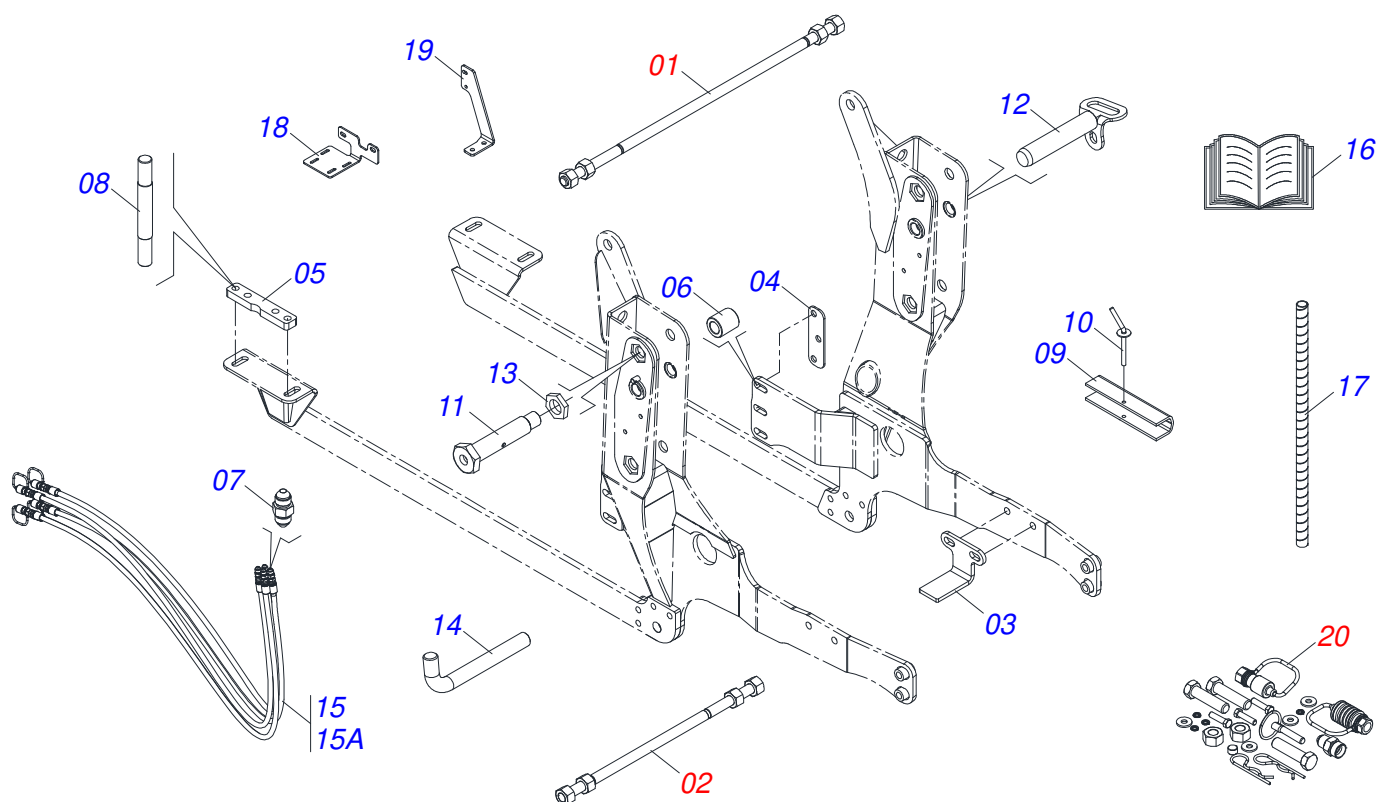
| Item | Code | Description | See page | QT |
|------|------------|--------------------------|----------|----|
| 01 | 0531065157 | JACK ARM | | 02 |
| 02 | 0502012530 | REGULATOR NUT BODY R1 | | 02 |
| 03 | 0502012562 | LEFT SPINDLE R1 X 160 | | 02 |
| 04 | 0502012529 | RIGHT SPINDLE R1 X 160 | | 02 |
| 05 | 0503010002 | 1800 GREASE FITTING | | 04 |
| 06 | 0571018253 | 3/4 X 133 COUPLING SHAFT | | 04 |
| 07 | 0503010071 | 3/16" X 1" COTTERPIN | | 10 |
| 08 | 0503030012 | HITCH PIN CLIP | | 02 |
| 09 | 0561015578 | 3/4 X 56 COUPLING SHAFT | | 02 |
| 10 | 0501217660 | SUPPORT ARM | | 02 |



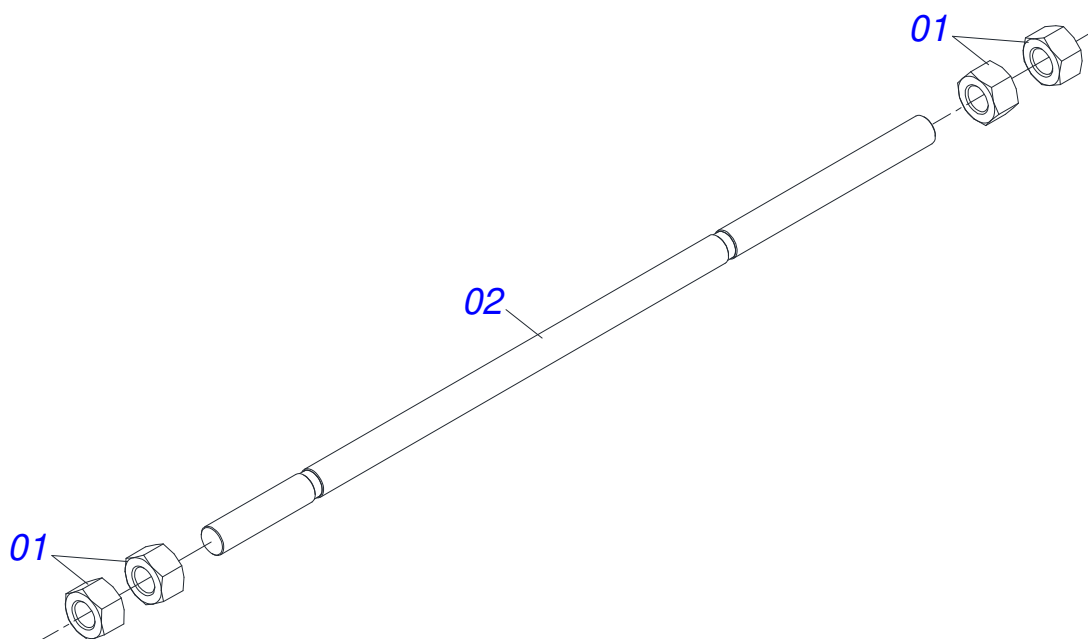
| Item | Code | Description | See page | QT |
|------|------------|------------------------------|----------|----|
| 01 | 0531065449 | LEVER | 01 | 01 |
| 02 | 0531065452 | ARTICULATOR | 01 | 01 |
| 03 | 0501218584 | RIGHT ARM TISARM | 01 | 01 |
| 04 | 0501218585 | TRIP SPRING FIXER ARM | 01 | 01 |
| 05 | 0501218586 | PENDOL LATCH | 01 | 01 |
| 06 | 0503034192 | TORSION SPRING | 01 | 01 |
| 07 | 0503037382 | 25 X 120 PVC HANDLE | 01 | 01 |
| 08 | 0571018129 | PIN LOCK ACCESSORY | 02 | 02 |
| 09 | 0502012952 | LOWER COPYING ARM | 01 | 04 |
| 10 | 0502012953 | ARTICULATE MINOR BODY | 01 | 02 |
| 11 | 0503010002 | 1800 GREASE FITTING | 01 | 06 |
| 12 | 0503010523 | 1/4" X 2" COTTERPIN | 01 | 01 |
| 13 | 0571018245 | 1.1/4" UNF X 139 BOLT | 01 | 08 |
| 14 | 0503010044 | 1-1/4" SELF LOCKING NUT | 01 | 07 |
| 15 | 0571018205 | 1.1/4" X UNF NUT WITH RECESS | 01 | 01 |
| 16 | 0501216423 | WASHER HEX 37,8 X 58 X 9,50 | 01 | 08 |
| 17 | 0503010849 | 3/8" X 1-1/2" BOLT | 01 | 03 |
| 18 | 0503011236 | 3/8" X 2" BOLT | 01 | 02 |
| 19 | 0503013357 | 3/8 SELF-ADJUSTING NUT | 01 | 05 |
| 20 | 0561011883 | FLAT WASHER | 01 | 01 |
| 21 | 0581014204 | FLAT WASHER | 01 | 02 |



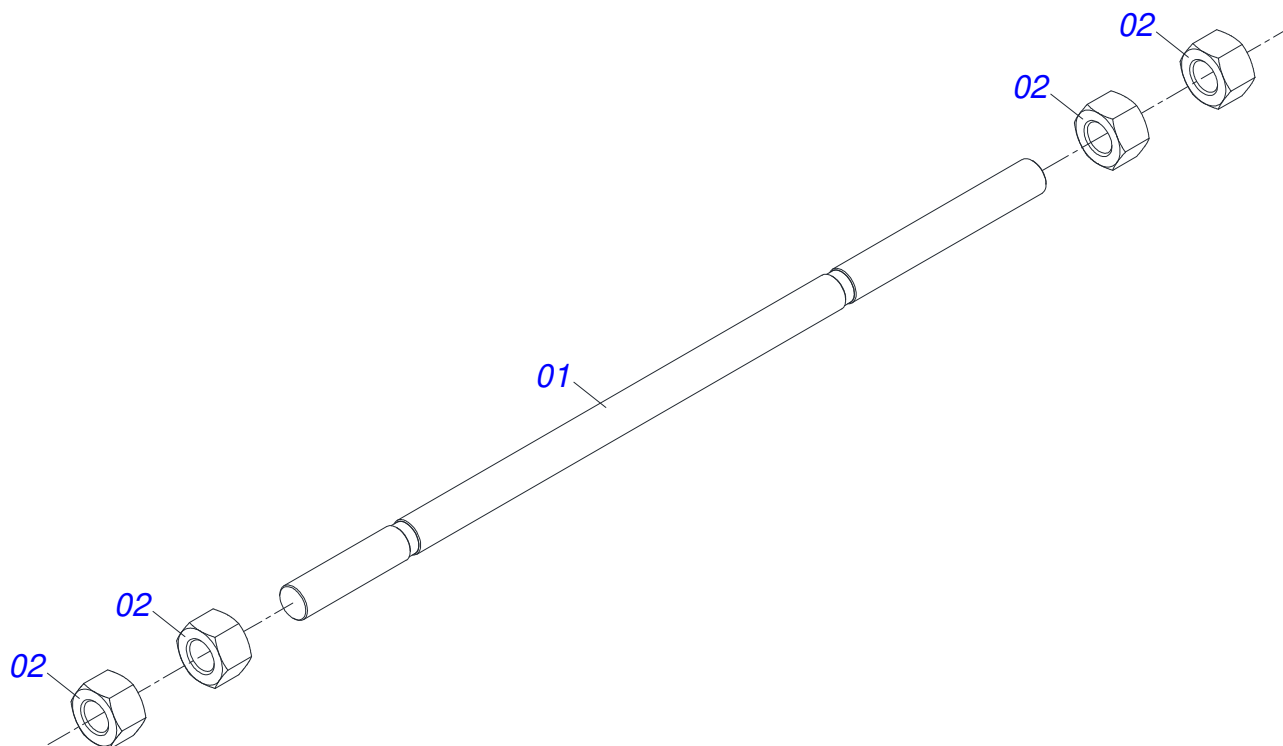
| Item | Code | Description | See page | QT |
|------|------------|-------------------------|----------|----|
| 01 | 0531064775 | LEFT FRAME | | 01 |
| 02 | 0531064774 | RIGHT FRAME | | 01 |
| 03 | 0531064890 | LEFT REAR BAR | | 01 |
| 04 | 0531064889 | RIGHT REAR BAR | | 01 |
| 05 | 0501010500 | 3/4" X 3" BOLT | | 02 |
| 06 | 0503011084 | 3/4" X 5" BOLT | | 04 |
| 07 | 0503010023 | 3/4" SPRING WASHER | | 04 |
| 08 | 0501010104 | 45 X 20 X 4 FLAT WASHER | | 06 |
| 09 | 0503010014 | 3/4" HEX NUT | | 06 |
| 10 | 0581015170 | SLEEVE | | 04 |



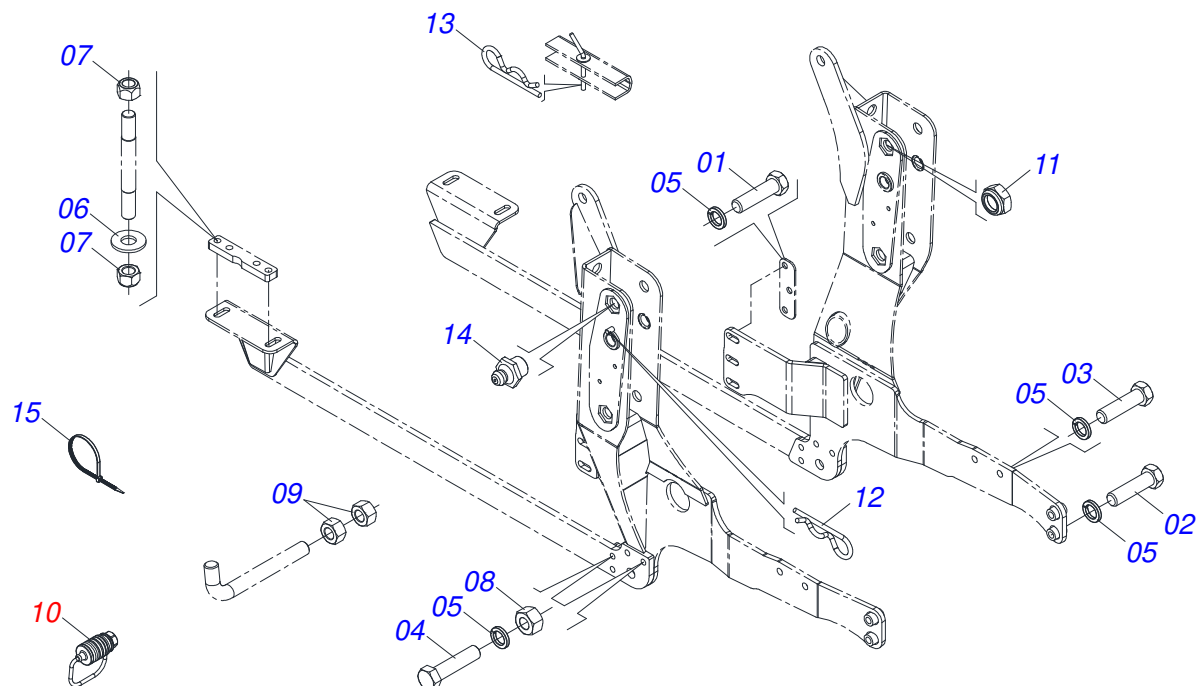
| Item | Code | Description | See page | QT |
|------|------------|---|----------|----|
| 01 | 0511043351 | 1.1/4" X 40" ROD | 13 | 01 |
| 02 | 0501042819 | 1.1/4" NC X 33.46" ASSY ROD | 14 | 01 |
| 03 | 0501218042 | SUPPORT | | 02 |
| 04 | 0501218045 | CENTRAL FIXING SHIMS | | 02 |
| 05 | 0501218044 | CABINED FRAME SUPPORT FIXER | | 02 |
| 06 | 0571014617 | 0,87" X 1,5" X 1,69" SLEEVE | | 06 |
| 07 | 0571018714 | 3/4" X 3/4" UNF NIPPLE UNION (HEXAGONAL 7/8 X 50) | | 04 |
| 08 | 0571016159 | PRISONER M18 X 1.5 X 290 | | 04 |
| 09 | 0501217728 | LOCK FOR TRANSPORTATION | | 02 |
| 10 | 0501068994 | 8,30 X 78 LOCK PIN | | 02 |
| 11 | 0501216406 | SCREW 1.1/4" UNF X 147 | | 02 |
| 12 | 0531065459 | FIXING AXIS MOBILE SUPPORT | | 02 |
| 13 | 0501216405 | WASHER 37.8 EXTERNAL HEXAGON 58 X 8.00 | | 04 |
| 14 | 0581010285 | CONTROL LOCKING HOOK | | 01 |
| 15 | 0521050403 | HOSE SET | | 01 |
| 15A | 0501080384 | 3/8" X 118" TR-TM HOSE | | 04 |
| 16 | 0511033668 | BAG WITH INSTRUCTION MANUAL | | 01 |
| 17 | 0581010090 | SPRING PROTECTION PLASTIC HOSE | | 02 |
| 18 | 0501218041 | OIL FILTER SUPPORT | | 01 |
| 19 | 0501218043 | DIESEL OIL FILTER SUPPORT | | 01 |
| 20 | 0511034456 | PACKAGED PARTS | 15 | 01 |



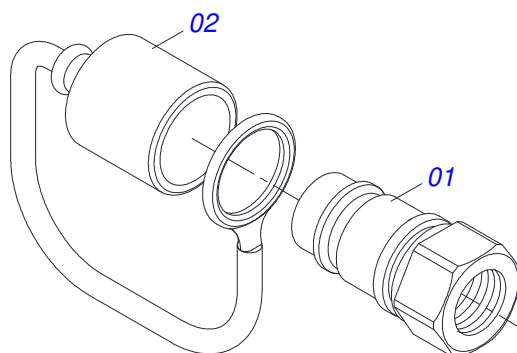
| Item | Code | Description | See page | QT |
|------|------------|---------------------|----------|----|
| 01 | 0501010087 | 1.1/4" NUT | | 04 |
| 02 | 0541015018 | 1.1/4" NC X 40" ROD | | 01 |



| Item | Code | Description | See page | QT |
|------|------------|---------------------|----------|----|
| 01 | 0501018845 | 1.1/4" X 33.46" ROD | | 01 |
| 02 | 0501010087 | 1.1/4" NUT | | 04 |



| Item | Code | Description | See page | QT |
|------|------------|-------------------------|----------|----|
| 01 | 0503013366 | M20 X 2,5 X 110 BOLT | | 06 |
| 02 | 0503013103 | M20 X 2,5 X 90 BOLT | | 04 |
| 03 | 0503013112 | M20 X 2,5 X 70 BOLT | | 04 |
| 04 | 0501010500 | 3/4" X 3" BOLT | | 08 |
| 05 | 0503010023 | 3/4" SPRING WASHER | | 18 |
| 06 | 0501010322 | FLAT WASHER | | 04 |
| 07 | 0503015084 | M18 X 1,50 LOCKNUT | | 08 |
| 08 | 0503010014 | 3/4" HEX NUT | | 08 |
| 09 | 0503010060 | 1/2 UNC G.5 ZN HEX NUT | | 02 |
| 10 | 0501053834 | MALE QUICK COUPLER | 16 | 04 |
| 11 | 0503010044 | 1-1/4" SELF LOCKING NUT | | 02 |
| 12 | 0503030012 | HITCH PIN CLIP | | 02 |
| 13 | 0503030168 | HITCH PIN CLIP | | 02 |
| 14 | 0503010002 | 1800 GREASE FITTING | | 02 |
| 15 | 0503013527 | CLAMP ZIPER | | 10 |



| Item | Code | Description | See page | QT |
|------|------------|--------------------------------|----------|----|
| 01 | 0503011627 | MALE QUICK COUPLER AGR 1/2 NPT | | 01 |
| 02 | 0503011882 | MALE QUICK COUPLER CAP | | 01 |



MARCHESAN

Technical Publications | Elaboration and Revision

LEONARDO JOSÉ DA SILVA SOUZA

www.marchesan.com.br

