

PCA - AGRICULTURAL FRONT LOADER

PCA 600 JD 5075 A 5090 BT SC ESP

Code: 0501093507

Series: S-0117

Revision: 00

Date Revision: ABRIL/2023

PARTS CATALOGUE



MARCHESAN



PRODUCTS

Code	Description
0106112080	PCA 600 JD 5075 A 5090 BT SC ESP S-0117

ATTENTION: IMPORTANT

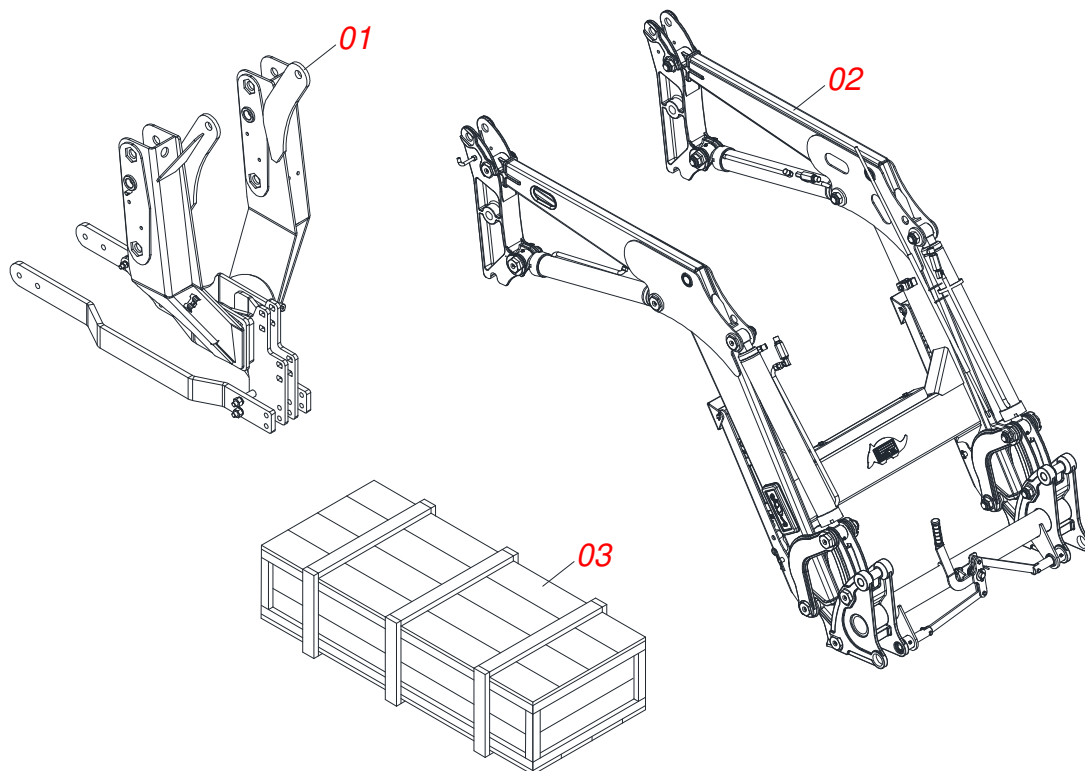
Marchesan S.A. reserves the right to improve and/or modify the technical features of its products, without obligation to do the same with those products already sold and without prior knowledge of the dealer or the customer. The photos are only illustrative.



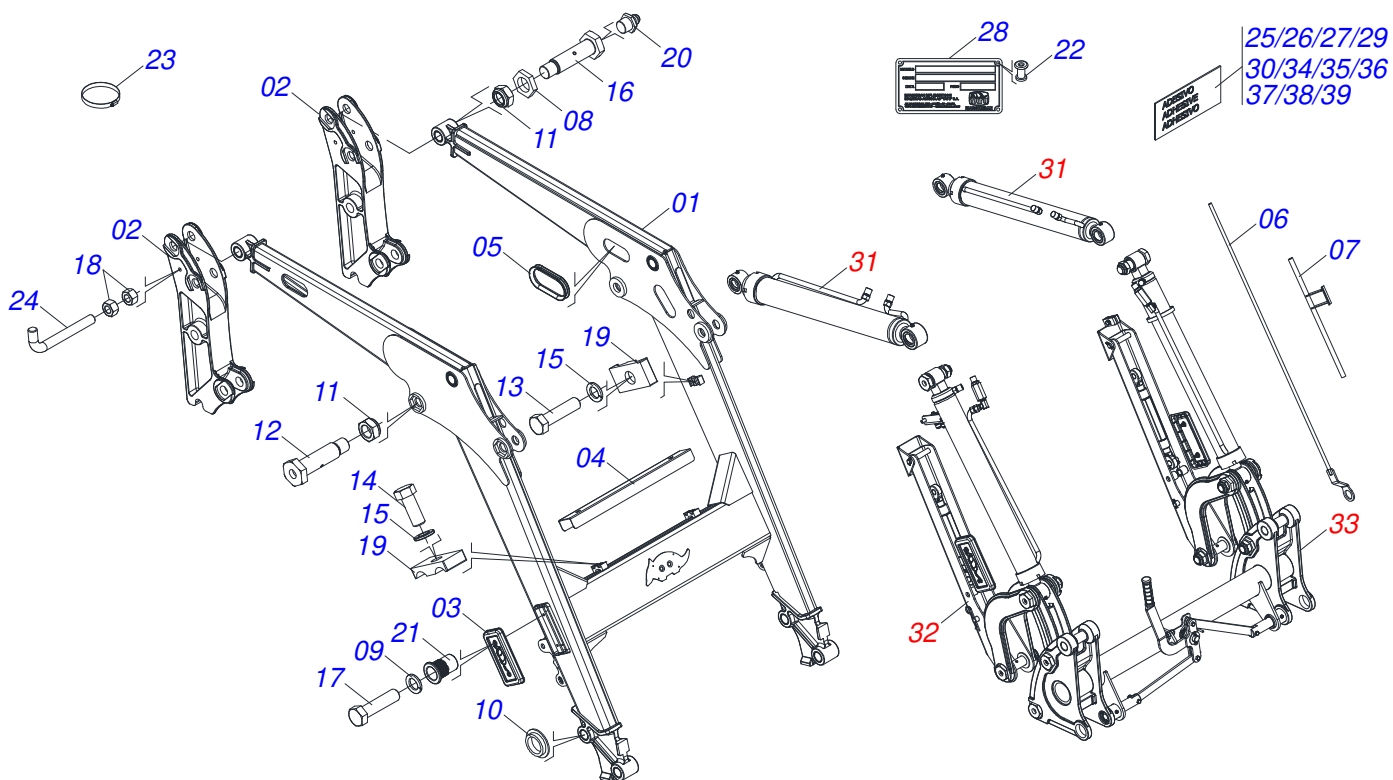
MARCHESAN

INDEX

0106112080	PCA 600 JD 5075 A 5090 BT SC ESP S-0117	1
0531044033	MOBILE SUPPORT ASSY	2
0909096624	HYDRAULIC ASSEMBLY	3
0521050256	44,45 X 76,20 X 845 X 555 RIGHT HYDRAULIC CYLINDER	4
0521050255	44,45 X 76,20 X 845 X 555 LEFT HYDRAULIC CYLINDER	5
0521045380	44,45 X 76,10 X 918 RIGHT HYDRAULIC CYLINDER	6
0521045379	44,45 X 76,10 X 918 LEFT HYDRAULIC CYLINDER	7
0511057772	SECURITY VALVE ASSY	8
0909096625	JACK ASSEMBLY	9
0909096626	ARTICULATION ASSEMBLY	10
0531044041	FRAME SET WITH REAR BAR	11
0521028926	BOX WITH COMPONENTS	12
0511043351	1.1/4" X 40" ROD	13
0511034450	PACKAGED PARTS	14
0501053834	MALE QUICK COUPLER	15



Item	Code	Description	See page	QT
01	0531044041	FRAME SET WITH REAR BAR	11	01
02	0531044033	MOBILE SUPPORT ASSY	2	01
03	0521028926	BOX WITH COMPONENTS	12	01



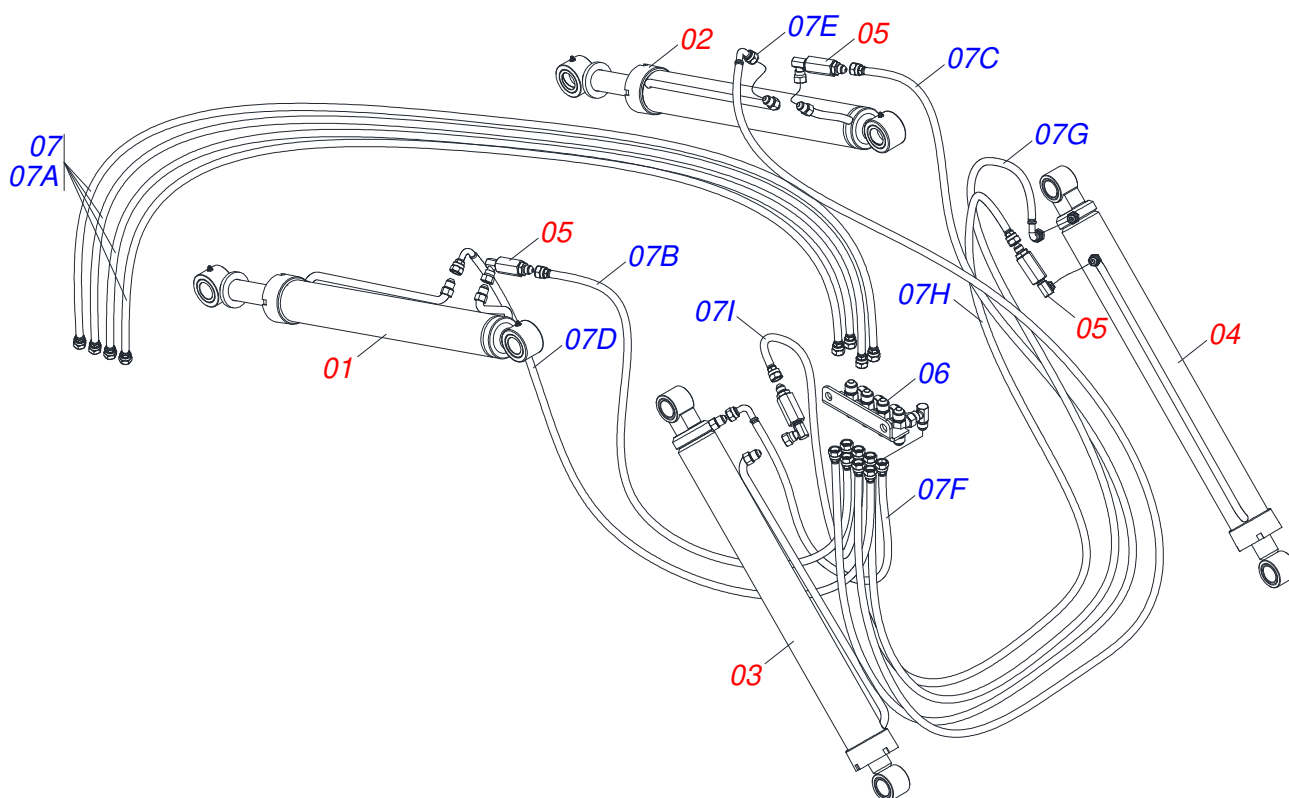
Item	Code	Description	See page	QT
01	0531062878	MOBILE SUPPORT		01
02	0502012950	TOWER		02
03	0503035448	COVER		02
04	0501217671	HOSE PROTECTION		01
05	0503034364	HOSE PROTECTOR		02
06	0531065451	LEVELING ROD		01
07	0531065450	GUIDE STICK		01
08	0501216423	WASHER HEX 37,8 X 58 X 9,50		04
09	0503010143	1/4" SPRING WASHER		04
10	0591010982	WASHER SPACER		04
11	0503010044	1-1/4" SELF LOCKING NUT		08
12	0571018265	1.1/4" UNF X 4,40" ZN BOLT		04
13	0503012555	SCREW 7/16 UNC X 2 CS RT G.7 ZN		03
14	0503011338	7/16" X 1" BOLT		02
15	0503010180	7/16" SPRING WASHER		05
16	0501218615	1.1/4" UNF X 4,37" BOLT		04
17	0503010461	1/4" X 1" BOLT		04
18	0503010060	1/2 UNC G.5 ZN HEX NUT		02
19	0502010477	HOSE CLAMP		04
20	0503010002	1800 GREASE FITTING		12
21	0503019901	INTERNAL THREAD RIVET RM 1/4 P30S		04
22	0503010001	3.2 X 5.5 RIVET		04
23	0503011372	102 TO 121 CLAMP		01
24	0581010285	CONTROL LOCKING HOOK		01
25	0503031087	ADHESIVE LABEL		01
26	0503031428	READ MANUAL DECAL		01
27	0503031827	LUBRICATE AND RETIGHTEN DAILY DECAL		01
28	0503034003	SERIAL NUMBER TAG 61 X 118		01
29	0503034078	LIFTING POINTS DECAL		02
30	0503064049	ADHESIVE LABEL SET		01
31	0909096624	HYDRAULIC ASSEMBLY	3	01



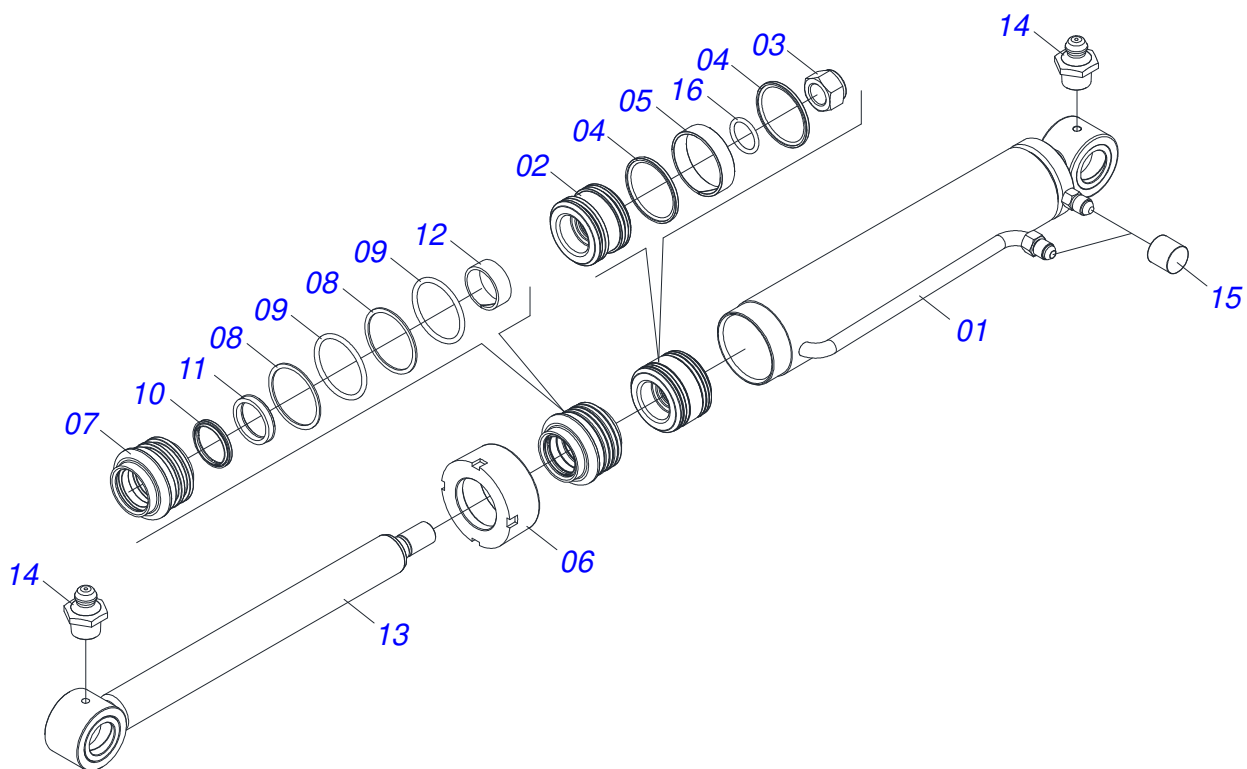
MOBILE SUPPORT ASSY

0531044033

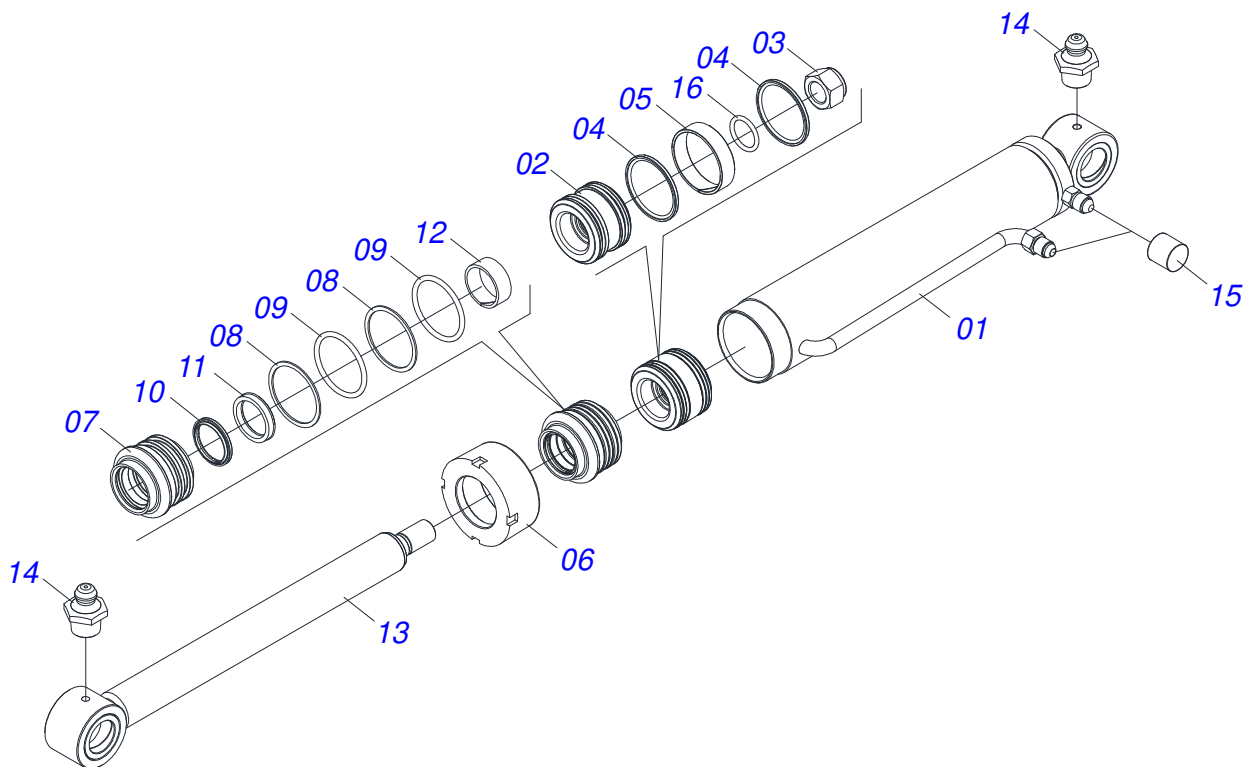
Item	Code	Description	See page	QT
32	0909096625	JACK ASSEMBLY	9	01
33	0909096626	ARTICULATION ASSEMBLY	10	01
34	0503036237	ADHESIVE LABEL SAFETY REMOVE SHELL IN MOTION		01
35	0503036238	ADHESIVE LABEL SAFETY LOCKING HYDRAULIC CYLINDERS		01
36	0503036239	ADHESIVE LABEL ATTENTION FLUIDS WITH PRESSURE		01
37	0503036240	ADHESIVE LABEL SAFETY DO NOT CLIMB ON THE RAISED SHELL		01
38	0503036241	ADHESIVE LABEL SAFETY CAUTION SHOCK HAZARD		01
39	0503036246	ADHESIVE LABEL ATTENTION LOCK IN PROCEDURES AND SERVICES		01



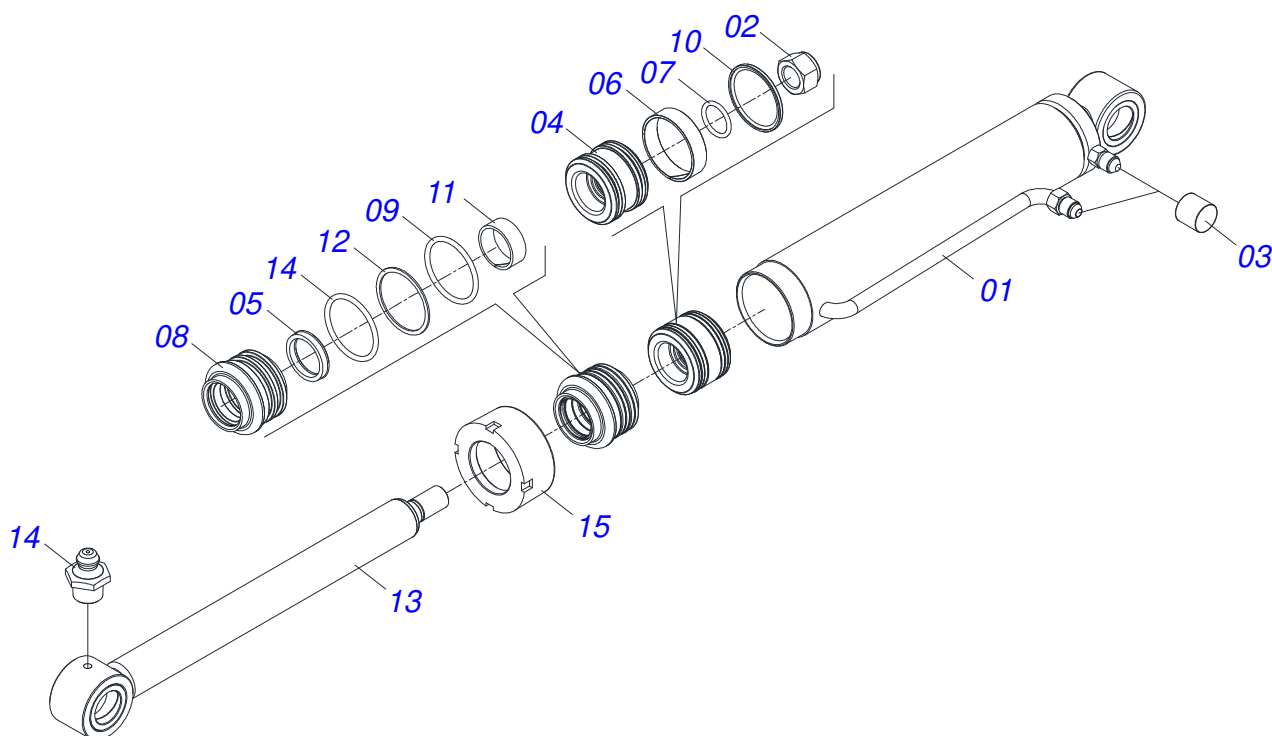
Item	Code	Description	See page	QT
01	0521050256	44,45 X 76,20 X 845 X 555 RIGHT HYDRAULIC CYLINDER	4	01
02	0521050255	44,45 X 76,20 X 845 X 555 LEFT HYDRAULIC CYLINDER	5	01
03	0521045380	44,45 X 76,10 X 918 RIGHT HYDRAULIC CYLINDER	6	01
04	0521045379	44,45 X 76,10 X 918 LEFT HYDRAULIC CYLINDER	7	01
05	0511057772	SECURITY VALVE ASSY	8	04
06	0521069023	HOSE DIVIDER		01
07	0511056982	HOSE SET MOBILE SUPPORT		01
07A	0501080452	3/8" X 98" TR-TR HOSE		04
07B	0501080127	3/8" X 45,2" TR-TR HOSE		01
07C	0501080483	3/8" X 86,6" TR-TR HOSE		01
07D	0501080348	3/8" X 47,2" TR-TC HOSE		01
07E	0501080451	3/8" X 94,5" TR-TC HOSE		01
07F	0501080375	3/8" X 23,6" TR-TC HOSE		01
07G	0501080419	3/8" X 82,6" TR-TC HOSE		01
07H	0501080320	3/8" X 82,6" TR-TR HOSE		01
07I	0501080027	3/8" X 39,3" TR-TR HOSE		01



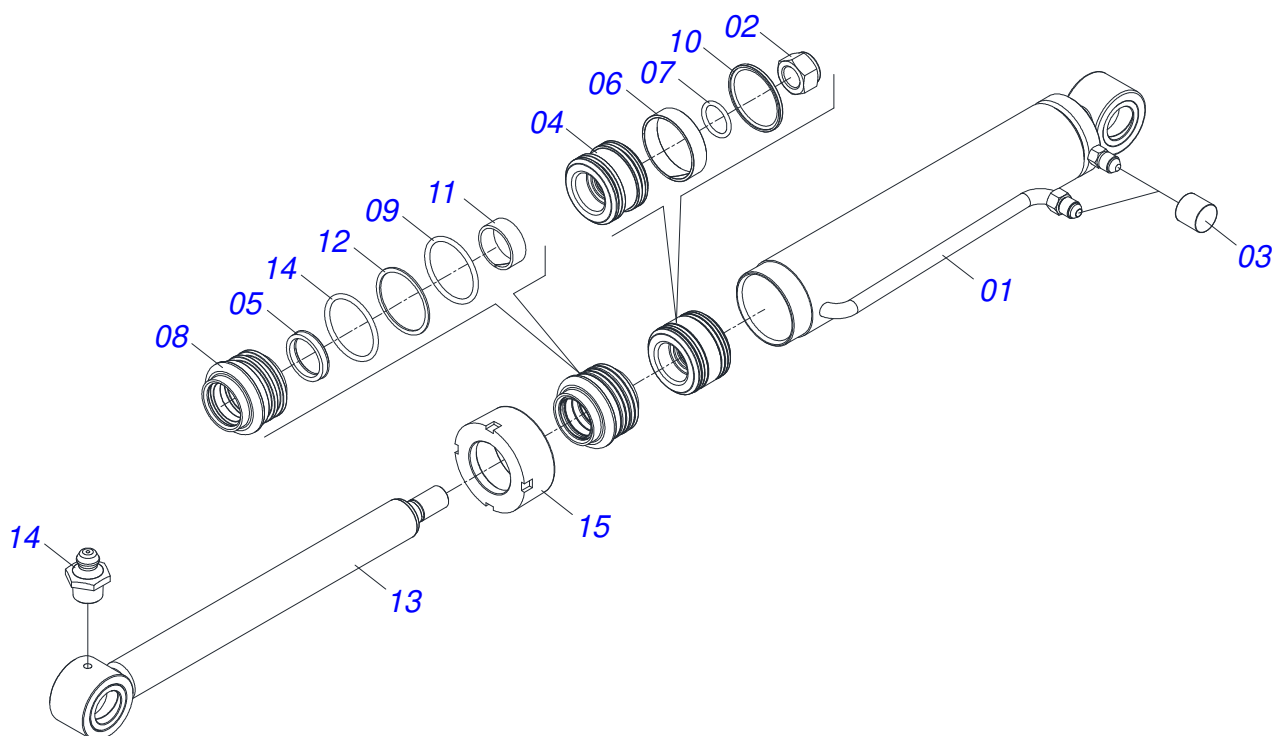
Item	Code	Description	See page	QT
01	0521067485	76,20 X 740,50 RIGHT CYLINDER CASE		01
02	0581010304	PISTON		01
03	0503010063	1" SELF-ALIGNING NUT		01
04	0503018138	RING BS		02
05	0503018140	RING GUIDE		01
06	0502011899	MOBILE LID		01
07	0581010301	RING SUPPORT		01
08	0503011059	8-334 BACK-UP RING		02
09	0503010343	2-334 N 3006-9B O'RING		02
10	0503010761	D-1750 SCRAPER RING		01
11	0503017937	GASKET		01
12	0503017938	RING GUIDE		01
13	0521067543	44,45 X 774 AIR TURNBUCKLE		01
14	0503010002	1800 GREASE FITTING		02
15	0503030385	CYLINDER PLUG N-002		02
16	0503010042	2-214 N 3006-9B O'RING		01
17	0511032293	HYDRAULIC CYLINDER REPAIR KIT		01



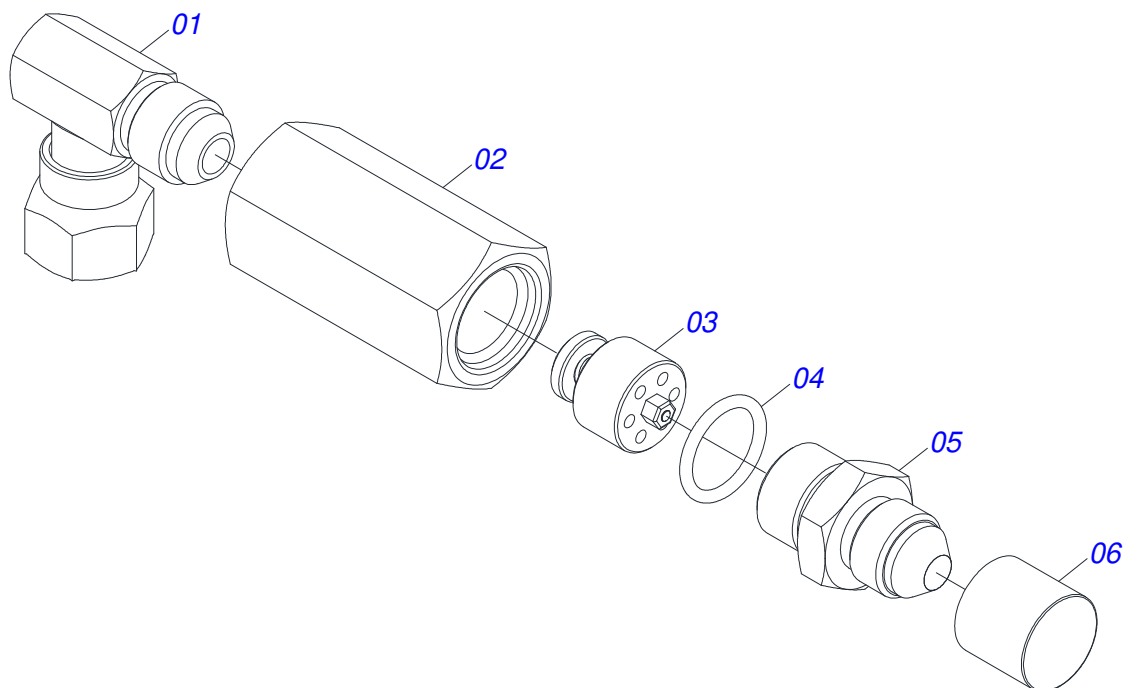
Item	Code	Description	See page	QT
01	0521067486	76,20 X 740,50 LEFT CYLINDER CASE		01
02	0581010304	PISTON		01
03	0503010063	1" SELF-ALIGNING NUT		01
04	0503018138	RING BS		02
05	0503018140	RING GUIDE		01
06	0502011899	MOBILE LID		01
07	0581010301	RING SUPPORT		01
08	0503011059	8-334 BACK-UP RING		02
09	0503010343	2-334 N 3006-9B O'RING		02
10	0503010761	D-1750 SCRAPER RING		01
11	0503017937	GASKET		01
12	0503017938	RING GUIDE		01
13	0521067543	44,45 X 774 AIR TURNBUCKLE		01
14	0503010002	1800 GREASE FITTING		02
15	0503030385	CYLINDER PLUG N-002		02
16	0503010042	2-214 N 3006-9B O'RING		01
17	0511032293	HYDRAULIC CYLINDER REPAIR KIT		01



Item	Code	Description	See page	QT
01	0521065843	RIGHT CYLINDER CASE WITH EXTENSION	01	01
02	0503010063	1" SELF-ALIGNING NUT	01	01
03	0503030385	CYLINDER PLUG N-002	02	02
04	0502011898	1.8" X 3.0" PISTON	01	01
05	0503012768	3750-2250 GASKET	02	02
06	0503010992	3 X 3 X 1/2 W2-3000-500 PK RING	01	01
07	0503010042	2-214 N 3006-9B O'RING	01	01
08	0502011897	RING SUPPORT	01	01
09	0503010761	D-1750 SCRAPER RING	01	01
10	0503010990	GASKET	01	01
11	0503010949	W2-2000-500 PK RING G.E	01	01
12	0503011059	8-334 BACK-UP RING	01	01
13	0521065845	44,45 X 839 WELDED ROD	01	01
14	0503010343	2-334 N 3006-9B O'RING	01	01
15	0502011899	MOBILE LID	01	01
16	0503010002	1800 GREASE FITTING	01	01
17	0501033655	HYDRAULIC CYLINDER REPAIR KIT	01	01

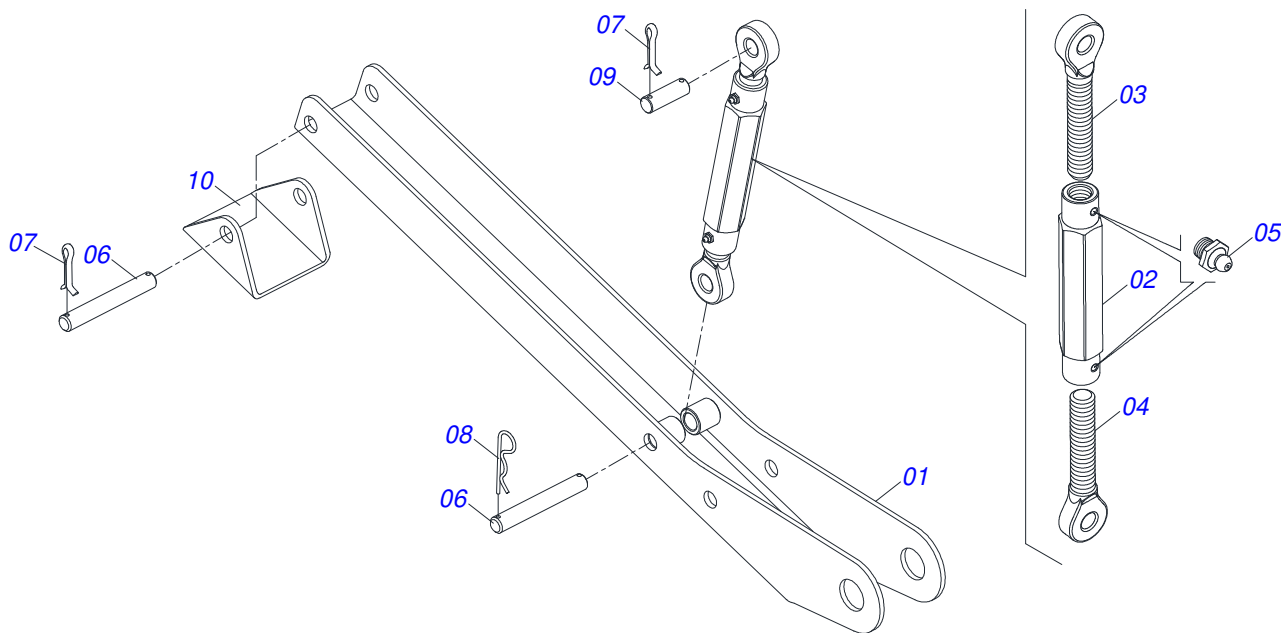


Item	Code	Description	See page	QT
01	0521065842	CYLINDER CASE WITH EXTENSION		01
02	0503010063	1" SELF-ALIGNING NUT		01
03	0503030385	CYLINDER PLUG N-002		02
04	0502011898	1.8" X 3.0" PISTON		01
05	0503012768	3750-2250 GASKET		02
06	0503010992	3 X 3 X 1/2 W2-3000-500 PK RING		01
07	0503010042	2-214 N 3006-9B O'RING		01
08	0502011897	RING SUPPORT		01
09	0503010761	D-1750 SCRAPER RING		01
10	0503010990	GASKET		01
11	0503010949	W2-2000-500 PK RING G.E		01
12	0503011059	8-334 BACK-UP RING		01
13	0521065845	44,45 X 839 WELDED ROD		01
14	0503010343	2-334 N 3006-9B O'RING		01
15	0502011899	MOBILE LID		01
16	0503010002	1800 GREASE FITTING		01
17	0501033655	HYDRAULIC CYLINDER REPAIR KIT		01

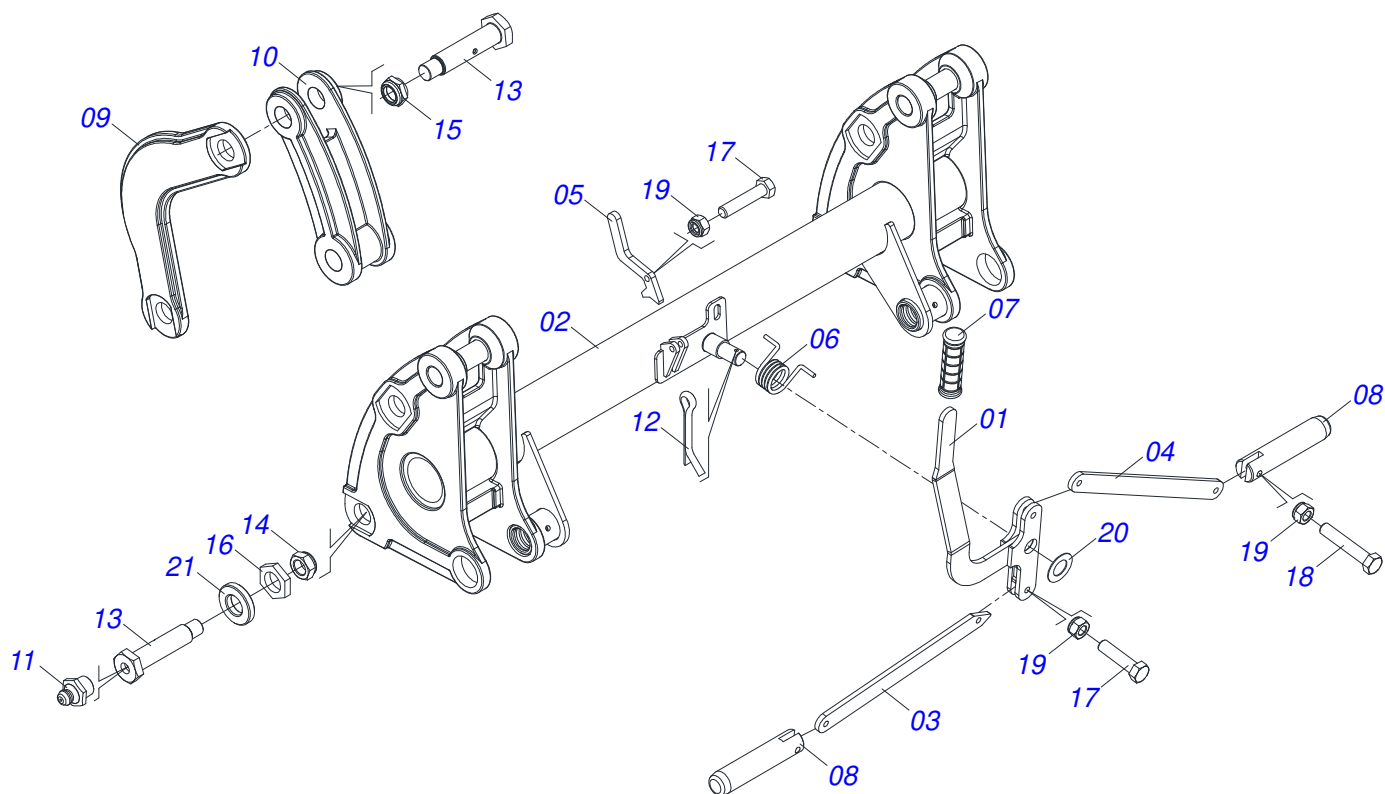


Item	Code	Description	See page	QT
01	0503018034	MALE KNEE JIC		01
02	0581014055	ADAPTER		01
03	0503016854	SAFETY VALVE		01
04	0503010045	O'RING		01
05	0581014054	BSP 1/2" NIPPLE		01
06	0503030385	CYLINDER PLUG N-002		01

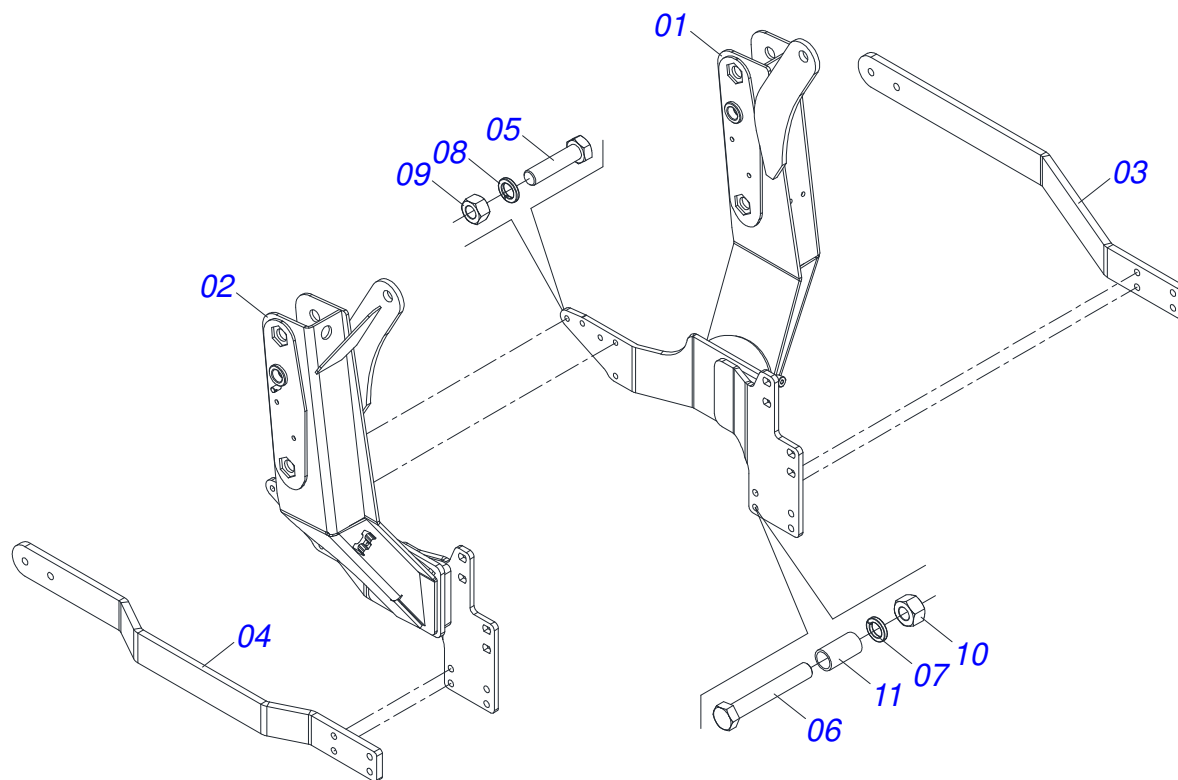
JACK ASSEMBLY



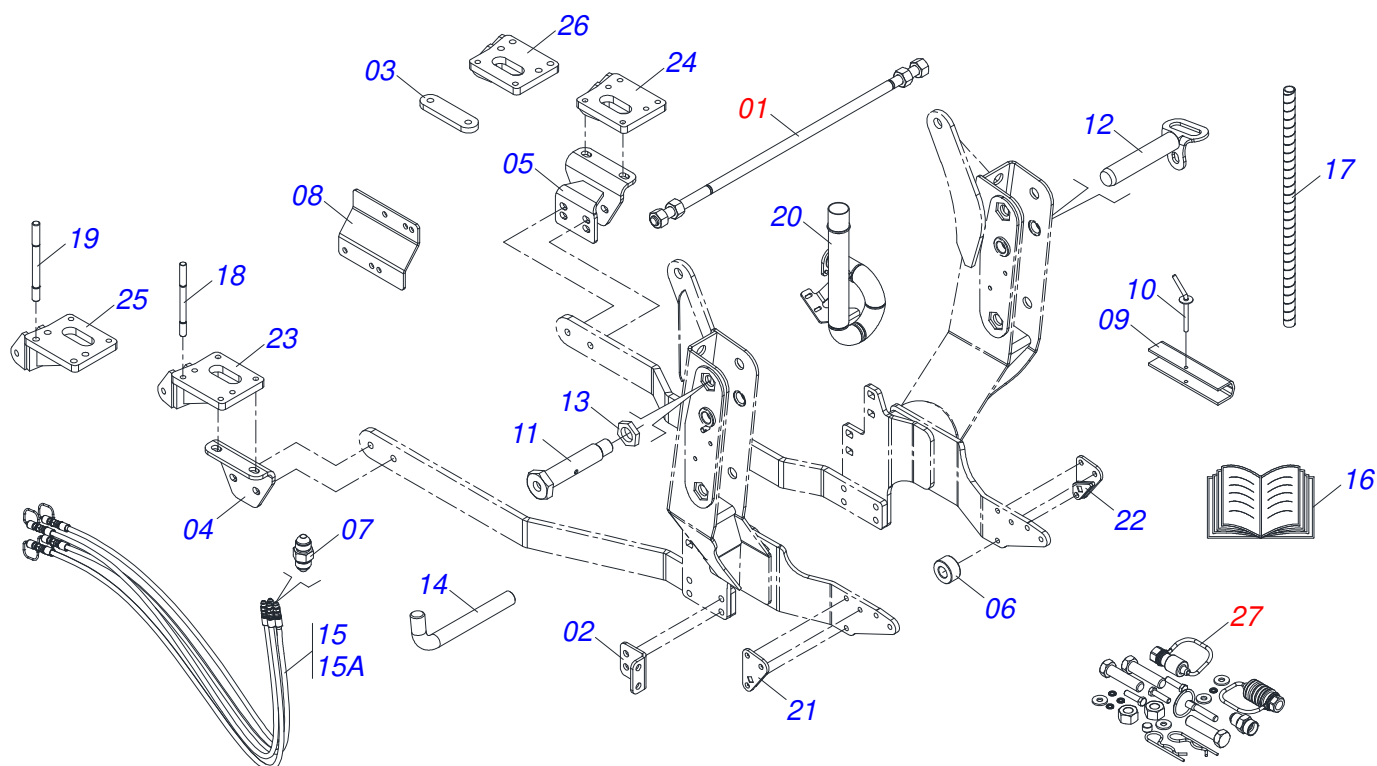
Item	Code	Description	See page	QT
01	0531065157	JACK ARM		02
02	0502012530	REGULATOR NUT BODY R1		02
03	0502012562	LEFT SPINDLE R1 X 160		02
04	0502012529	RIGHT SPINDLE R1 X 160		02
05	0503010002	1800 GREASE FITTING		04
06	0571018253	3/4 X 133 COUPLING SHAFT		04
07	0503010071	3/16" X 1" COTTERPIN		10
08	0503030012	HITCH PIN CLIP		02
09	0561015578	3/4 X 56 COUPLING SHAFT		02
10	0501217660	SUPPORT ARM		02



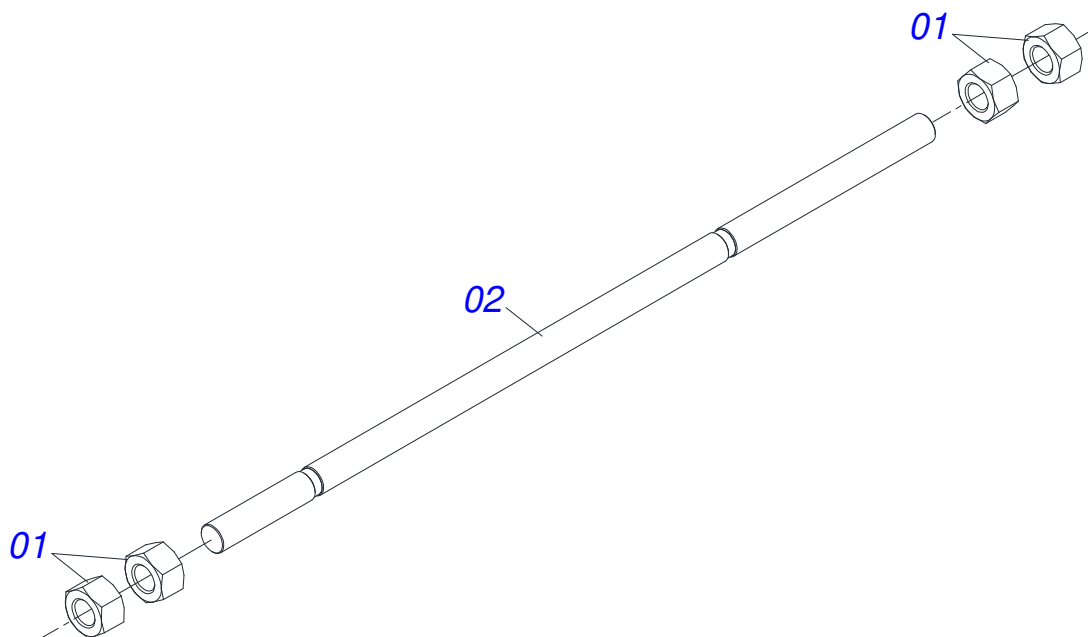
Item	Code	Description	See page	QT
01	0531065449	LEVER	01	01
02	0531065452	ARTICULATOR	01	01
03	0501218584	RIGHT ARM TISARM	01	01
04	0501218585	TRIP SPRING FIXER ARM	01	01
05	0501218586	PENDOL LATCH	01	01
06	0503034192	TORSION SPRING	01	01
07	0503037382	25 X 120 PVC HANDLE	01	01
08	0571018129	PIN LOCK ACCESSORY	02	02
09	0502012952	LOWER COPYING ARM	01	04
10	0502012953	ARTICULATE MINOR BODY	01	02
11	0503010002	1800 GREASE FITTING	01	06
12	0503010523	1/4" X 2" SPLIT PIN	01	01
13	0571018245	1.1/4" UNF X 139 BOLT	01	08
14	0503010044	1-1/4" SELF LOCKING NUT	01	07
15	0571018205	1.1/4" X UNF NUT WITH RECESS	01	01
16	0501216423	WASHER HEX 37,8 X 58 X 9,50	01	08
17	0503010849	3/8" X 1-1/2" BOLT	01	03
18	0503011236	3/8" X 2" BOLT	01	02
19	0503013357	3/8 SELF-ADJUSTING NUT	01	05
20	0561011883	FLAT WASHER	01	01
21	0581014204	FLAT WASHER	01	02



Item	Code	Description	See page	QT
01	0531064887	RIGHT FRAME		01
02	0531064888	LEFT FRAME		01
03	0501216870	RIGHT REAR BAR		01
04	0501216869	LEFT REAR BAR		01
05	0503010233	5/8" X 2-1/2" BOLT		02
06	0503011084	3/4" X 5" BOLT		04
07	0503010023	3/4" SPRING WASHER		04
08	0503010027	5/8 SPRING WASHER		02
09	0503010013	5/8 NUT		02
10	0503010014	3/4" HEX NUT		04
11	0581015170	SLEEVE		04

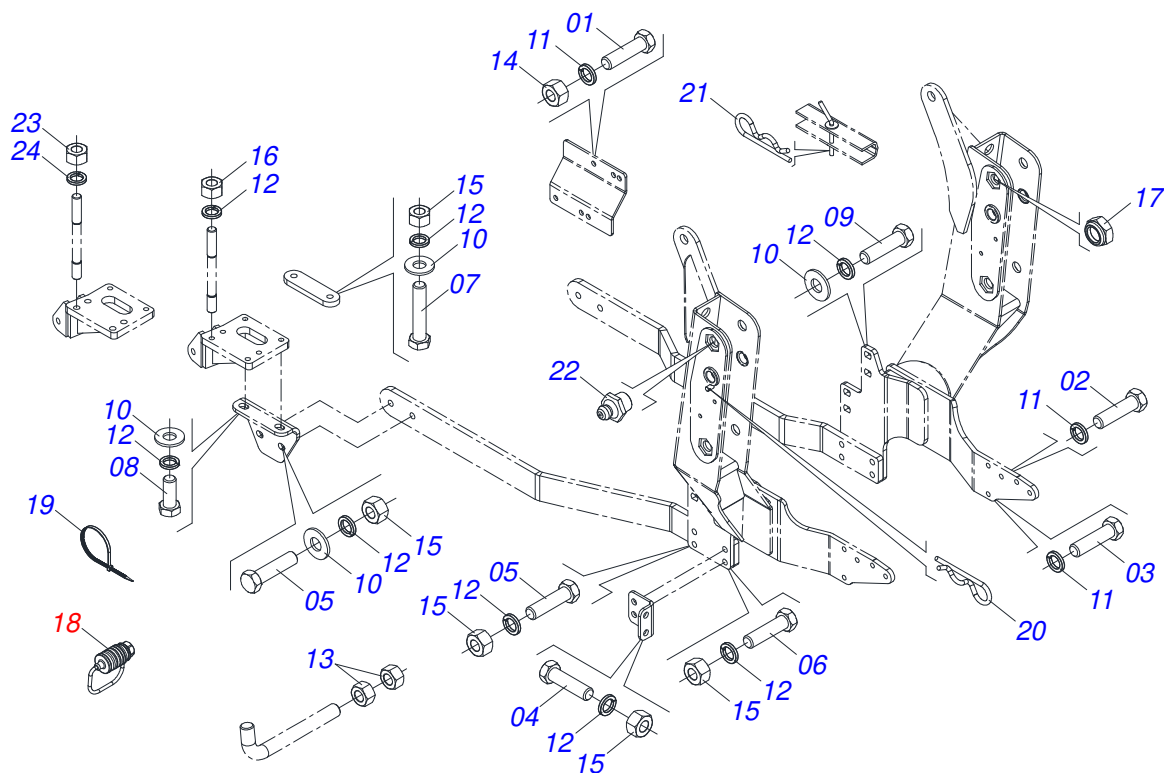


Item	Code	Description	See page	QT
01	0511043351	1.1/4" X 40" ROD	13	01
02	0501217964	TOOL BOX SUPPORT		01
03	0501217963	UPPER SUPPORT		02
04	0501217970	REAR BAR FIXING SUPPORT		01
05	0531065244	LEFT SUPPORT		01
06	0531016799	34,93 X 16,50 X 20 SLEEVE		02
07	0571018714	3/4" X 3/4" UNF NIPPLE UNION (HEXAGONAL 7/8 X 50)		04
08	0501217972	TOOL BOX FIXING PLATE		01
09	0501217728	LOCK FOR TRANSPORTATION		02
10	0501068994	8,30 X 78 LOCK PIN		02
11	0501216406	SCREW 1.1/4" UNF X 147		02
12	0531065459	FIXING AXIS MOBILE SUPPORT		02
13	0501216405	WASHER 37,8 EXTERNAL HEXAGON 58 X 8,00		02
14	0581010285	CONTROL LOCKING HOOK		01
15	0521050403	HOSE SET		01
15A	0501080384	3/8" X 118" TR-TM HOSE		04
16	0511033668	BAG WITH INSTRUCTION MANUAL		01
17	0581010090	SPRING PROTECTION PLASTIC HOSE		02
18	0561017654	M20 X 2.5 X 270 THREADED ROD ZN		08
19	0503034789	PRISONER		08
20	0531062376	ESCAPEMENT COMPLEMENT		01
21	0531065239	RIGHT FRAME LATCH		01
22	0531065241	LEFT FRAME LATCH		01
23	0531065245	RIGHT DIFFERENTIAL SUPPORT		01
24	0531065247	LEFT DIFFERENTIAL SUPPORT		01
25	0531065246	M24 RIGHT DIFFERENTIAL SUPPORT		01
26	0531065301	M24 LEFT DIFFERENTIAL SUPPORT		01
27	0511034450	PACKAGED PARTS	14	01

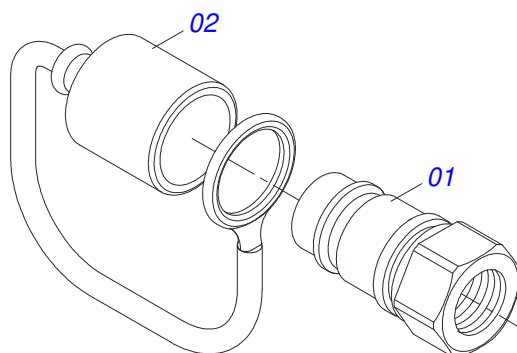


Item	Code	Description	See page	QT
01	0501010087	1.1/4" NUT		04
02	0541015018	1.1/4" NC X 40" ROD		01

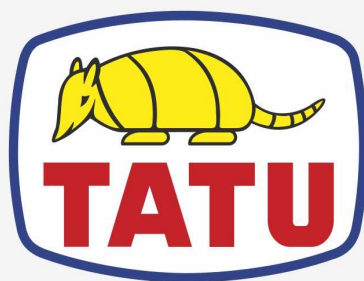
PACKAGED PARTS



Item	Code	Description	See page	QT
01	0503011267	5/8 UNC X 1.1/2 C S G.5 ZN BOLT		04
02	0503011730	M16 X 2 X 60 BOLT		04
03	0503012693	M16 X 2 X 75 BOLT		02
04	0501010098	3/4" UNC BOLT		02
05	0501010500	3/4" X 3" BOLT		10
06	0503014006	3/4" X 2-1/2" BOLT		02
07	0503011857	3/4" X 10" BOLT		04
08	0503011322	M20 X 2,5 X 50 BOLT		04
09	0503013111	M20 X 2,5 X 65 BOLT		08
10	0501010322	FLAT WASHER		20
11	0503010027	5/8 SPRING WASHER		10
12	0503010023	3/4" SPRING WASHER		34
13	0503010060	1/2 UNC G.5 ZN HEX NUT		02
14	0503010013	5/8 NUT		04
15	0503010014	3/4" HEX NUT		18
16	0503015985	M20 X 2.5 ZN HEXAGONAL NUT		08
17	0503010044	1-1/4" SELF LOCKING NUT		02
18	0501053834	MALE QUICK COUPLER	15	04
19	0503013527	CLAMP ZIPER		10
20	0503030012	HITCH PIN CLIP		02
21	0503030168	HITCH PIN CLIP		02
22	0503010002	1800 GREASE FITTING		02
23	0503019335	METRIC NUT		08
24	0503010012	1" SPRING WASHER		08



Item	Code	Description	See page	QT
01	0503011627	MALE QUICK COUPLER AGR 1/2 NPT		01
02	0503011882	MALE QUICK COUPLER CAP		01



MARCHESAN

Technical Publications | Elaboration and Revision

LEONARDO JOSÉ DA SILVA SOUZA

www.marchesan.com.br

