

PCA - AGRICULTURAL FRONT LOADER

PCA 1100 VALTRA BH 140A180-4 BT- SC

Code: 0501093506

Series: S-0701

Revision: 00

Date Revision: ABRIL/2023

PARTS CATALOGUE



MARCHESAN



PRODUCTS

Code	Description
0106110409	PCA 1100 VTR BH140A180-4 BT SC

ATTENTION: IMPORTANT

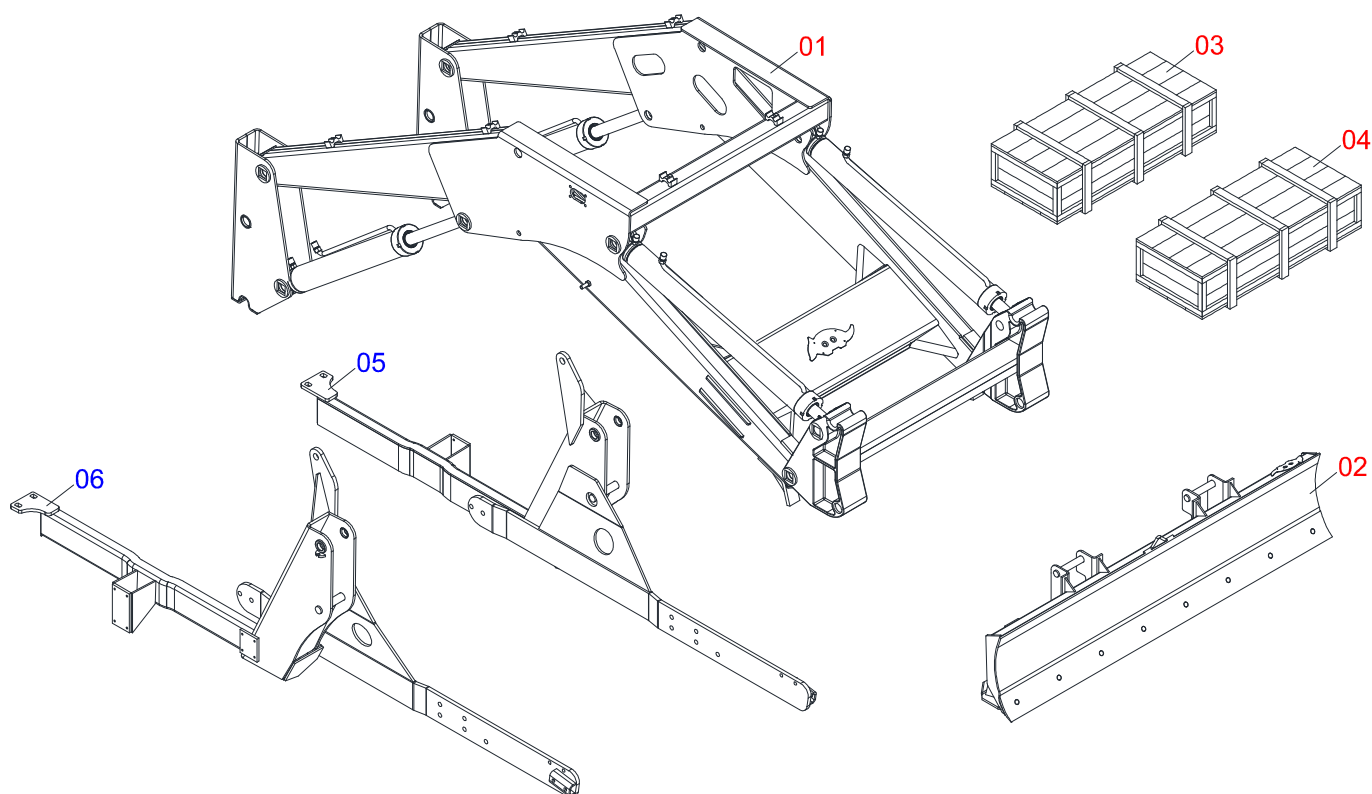
Marchesan S.A. reserves the right to improve and/or modify the technical features of its products, without obligation to do the same with those products already sold and without prior knowledge of the dealer or the customer. The photos are only illustrative.



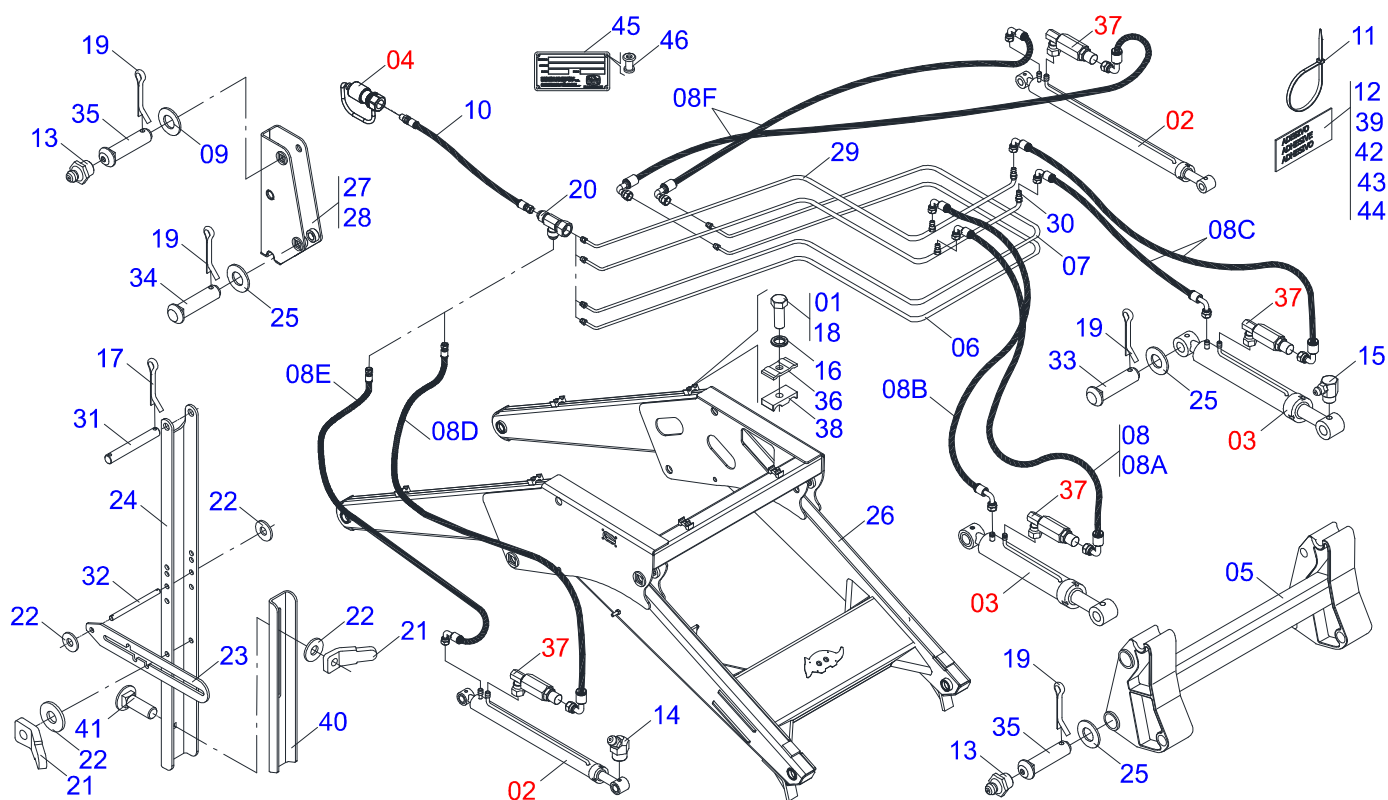
MARCHESAN

INDEX

0106110409	PCA 1100 VTR BH140A180-4 BT SC	1
0501049349	COMPLETE MOBILE SUPPORT	2
0511057974	44,45 X 85,72 X 870 X 593 HYDRAULIC CYLINDER	3
0511057973	HIDRAULIC CYLINDER 44,45 X 76,20 X 820 X 551	4
0501053834	MALE QUICK COUPLER	5
0511057772	SECURITY VALVE ASSY	6
0511043382	DOZER BLADE 2400	7
0501027484	BOX WITH COMPONENTS WITH AUXILIARY TANK	8
0501033735	PACKAGED PIECES SACK	9
0501028378	BOX WITH COMPONENTS	10
0501047774	1.1/4" X 33.46" ROD	11
0501035353	PACKAGED PIECES SACK	12



Item	Code	Description	See page	QT
01	0501049349	COMPLETE MOBILE SUPPORT	2	01
02	0511043382	DOZER BLADE 2400	7	01
03	0501027484	BOX WITH COMPONENTS WITH AUXILIARY TANK	8	01
04	0501028378	BOX WITH COMPONENTS	10	01
05	0511061955	RIGHT FRAME PCA VTR 1380-4SA1880-4S		01
06	0511061954	RH FRAME		01



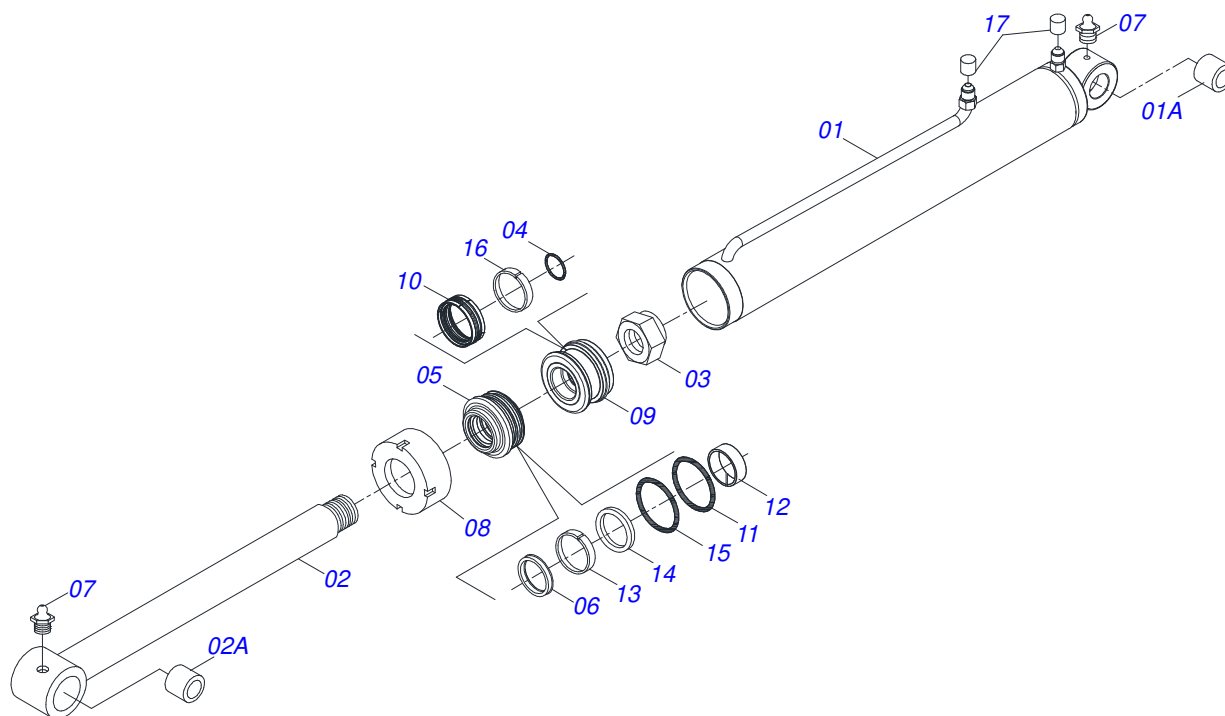
Item	Code	Description	See page	QT
01	0503012555	SCREW 7/16 UNC X 2 CS RT G.7 ZN		04
02	0511057974	44,45 X 85,72 X 870 X 593 HYDRAULIC CYLINDER	3	02
03	0511057973	HIDRAULIC CYLINDER 44,45 X 76,20 X 820 X 551	4	02
04	0501053834	MALE QUICK COUPLER	5	02
05	0501069146	JOINT SUPPORT PCA 800		01
06	0501069860	OUTER OIL TUBE		01
07	0501069861	INNER OIL TUBE		01
08	0501053238	HOSE ASSY		01
08A	0501080688	3/8" X 25" TC-TC 90G HOSE		01
08B	0501080777	LH 3/8" X 25.9" TC-TC HOSE		01
08C	0501080745	3/8" X 25" TC-TC HOSE ASSY		02
08D	0501080105	3/8 X 700 TR-TR HOSE		01
08E	0501080766	3/8" X 27.56" TC-TC HOSE		01
08F	0501080150	3/8 X 800 TR-TC HOSE		02
09	0501816170	FLAT WASHER 38.50 X 72 X 9.50 SA		02
10	0501081363	3/8 X 4900 TR-TM HOSE		04
11	0503013527	CLAMP ZIPER		04
12	0503031087	ADHESIVE LABEL		01
13	0503010002	1800 GREASE FITTING		06
14	0503010003	1845 GREASE FITTING		02
15	0503010004	1890 GREASE FITTING		02
16	0503010180	7/16" SPRING WASHER		06
17	0503010071	3/16" X 1" COTTERPIN		10
18	0503011102	BOLT 7/16 UNC X 1.1/4 C S G.5 ZN		02
19	0503010534	3/8 X 2-1/2 COTTERPIN		10
20	0503011968	3/4" 8R6X-S T ADAPTER WITH SWIVEL NUT		02
21	0561016329	LATCH HOLDER REST PCA		04
22	0511017302	FLAT WASHER 13,50 X 32,50 X 3,0 ZN		14
23	0511019634	CONTROL LOCK		02
24	0561016401	PLOUGH SUPPORT BODY		02
25	0511019685	FLAT WASHER		12



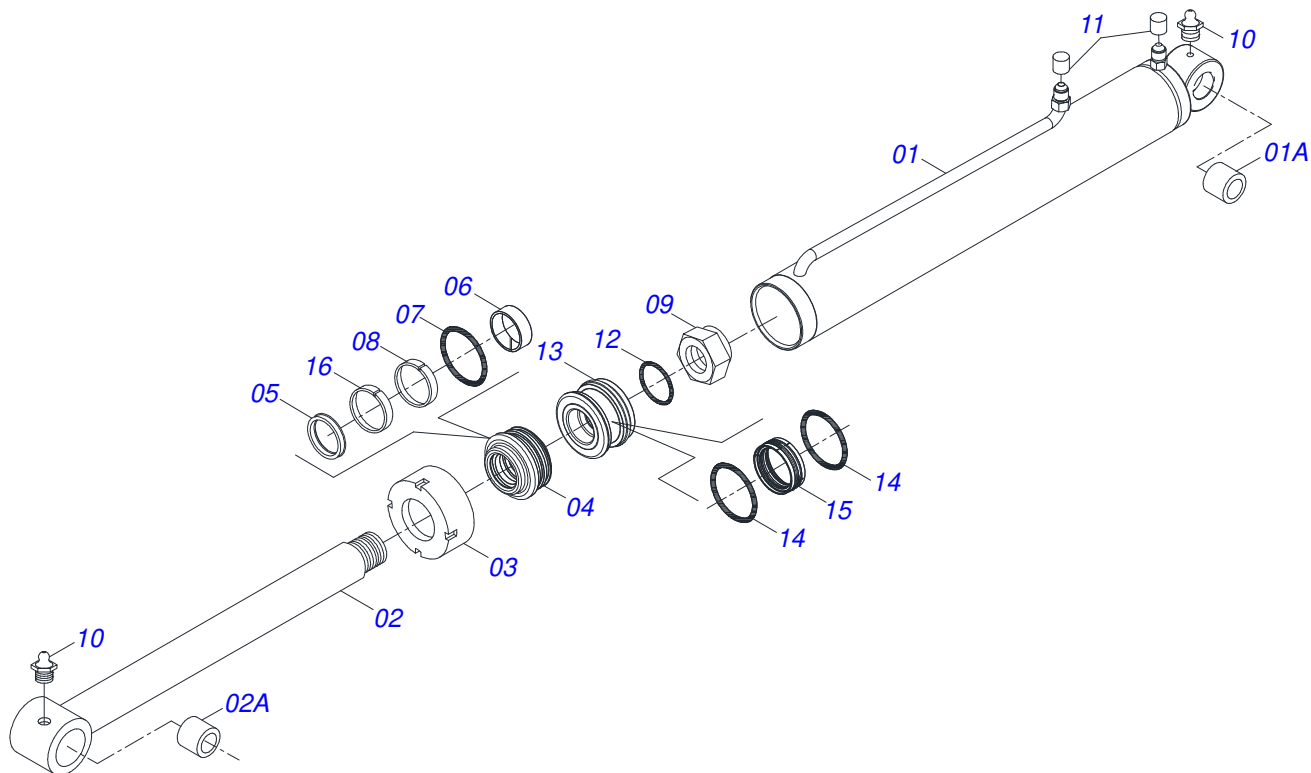
COMPLETE MOBILE SUPPORT

0501049349

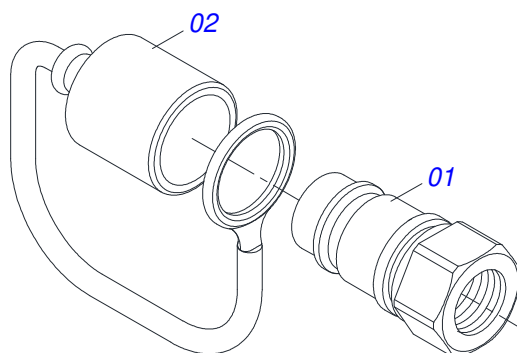
Item	Code	Description	See page	QT
26	0511060289	MOBILE SUPPORT		01
27	0502012472	MOBILE TOWER		01
28	0502012473	LEFT MOBILE TOWER		01
29	0501069857	RIGHT RIGHT OIL TUBE		01
30	0501069858	LH RIGHT OIL TUBE		01
31	0511013598	3/4" X 4.7" COUPLING SHAFT		02
32	0521012823	COUPLING SHAFT		04
33	0521012868	1.4" X 5" PIVOT SHAFT		04
34	0521012869	COUPLING SHAFT		02
35	0521012870	1.46" X 6.18" PIVOT SHAFT		04
36	0531011180	UPPER BODY CLIP		02
37	0511057772	SECURITY VALVE ASSY	6	04
38	0502010477	HOSE CLAMP		08
39	0503031827	LUBRICATE AND RETIGHTEN DAILY DECAL		01
40	0561016619	COMPLEMENTON REST		01
41	0503014378	1/2" X 1-1/2" BOLT		01
42	0503031428	READ MANUAL DECAL		01
43	0503062217	SET LABEL ADHESIVE		01
44	0503034078	LIFTING POINTS DECAL		03
45	0503034003	SERIAL NUMBER TAG 61 X 118		01
46	0503010001	3.2 X 5.5 RIVET		04



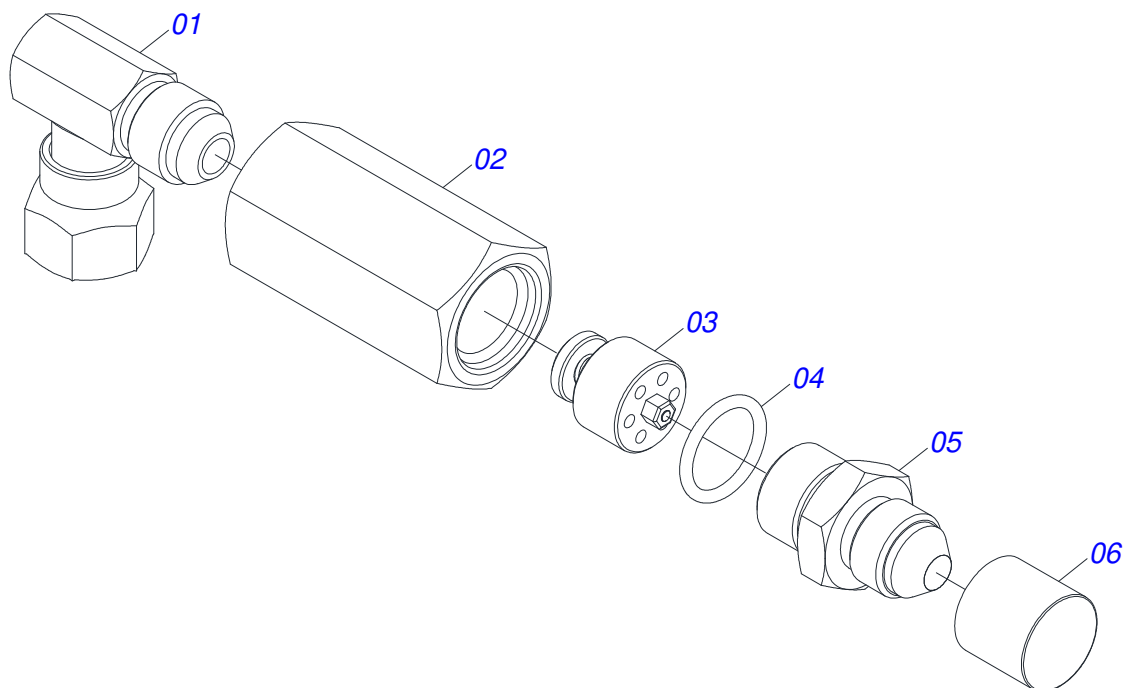
Item	Code	Description	See page	QT
01	0511069198	BODY SHIRT WITH MAKING		01
01A	0521010514	38,1 X 52,9 X 50 SLEEVE INTER		02
02	0521066404	44,45 X 772 TURNBUCKLE		01
03	0503010063	1" SELF-ALIGNING NUT		01
04	0503010042	2-214 N 3006-9B O'RING		01
05	0571019711	RING SUPPORT		01
06	0503010761	D-1750 SCRAPER RING		01
07	0503010002	1800 GREASE FITTING		02
08	0571019709	DETACHABLE COVER		01
09	0571019710	1.7" X 3.4" PISTON		01
10	0503017935	RING		01
11	0503017936	RING		01
12	0503017938	RING GUIDE		01
13	0503017937	GASKET		01
14	0503017940	8-337 BACK-UP RING		02
15	0503017939	2-337 N 3006-9B O' RING		02
16	0503018144	RING		01
17	0503030385	CYLINDER PLUG N-002		02
18	0511032784	HYDRAULIC CYLINDER REPAIR KIT		01



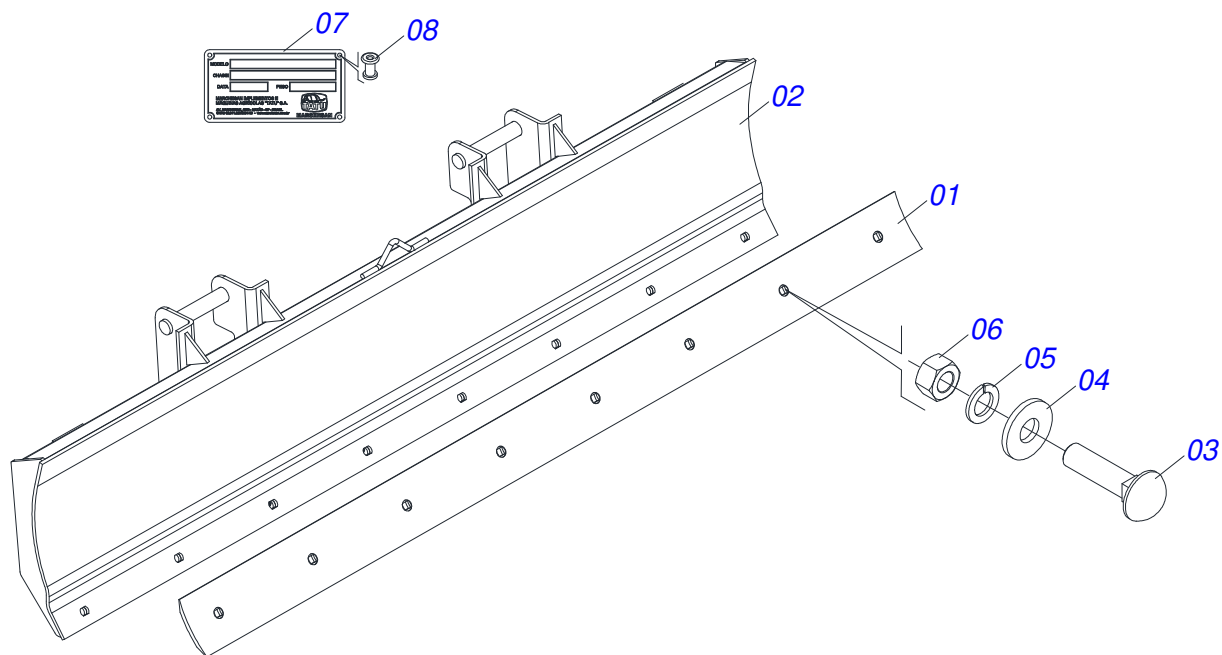
Item	Code	Description	See page	QT
01	0521066381	CYLINDER CASE 76,20 X 723		01
01A	0501110275	BUSHING COUPLING 75 X 38,1 X 50		02
02	0511065578	1.7" X 28.18" TURNBUCLE		01
03	0502012264	RING SUPPORT 1.75" X 3"		01
04	0503010761	D-1750 SCRAPER RING		01
05	0503010949	W2-2000-500 PK RING G.E		01
06	0503010343	2-334 N 3006-9B O'RING		01
07	0503011059	8-334 BACK-UP RING		01
08	0503010063	1" SELF-ALIGNING NUT		01
09	0503010002	1800 GREASE FITTING		02
10	0503030385	CYLINDER PLUG N-002		02
11	0503010042	2-214 N 3006-9B O'RING		01
12	0581010304	PISTON		01
13	0503018138	RING BS		02
14	0503018140	RING GUIDE		01
15	0503017937	GASKET		01
16	0502011899	MOBILE COVER		01
17	0511032725	HYDRAULIC CYLINDER REPAIR KIT		



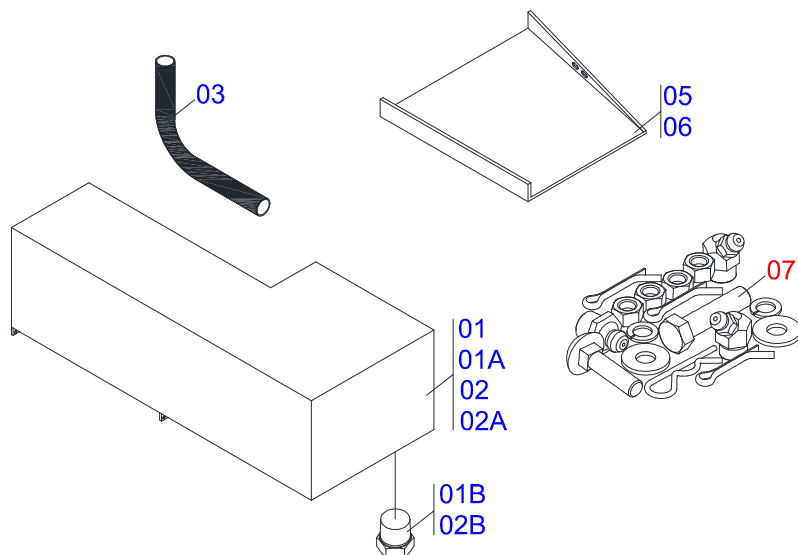
Item	Code	Description	See page	QT
01	0503011627	MALE QUICK COUPLER AGR 1/2 NPT		01
02	0503011882	MALE QUICK COUPLER CAP		01



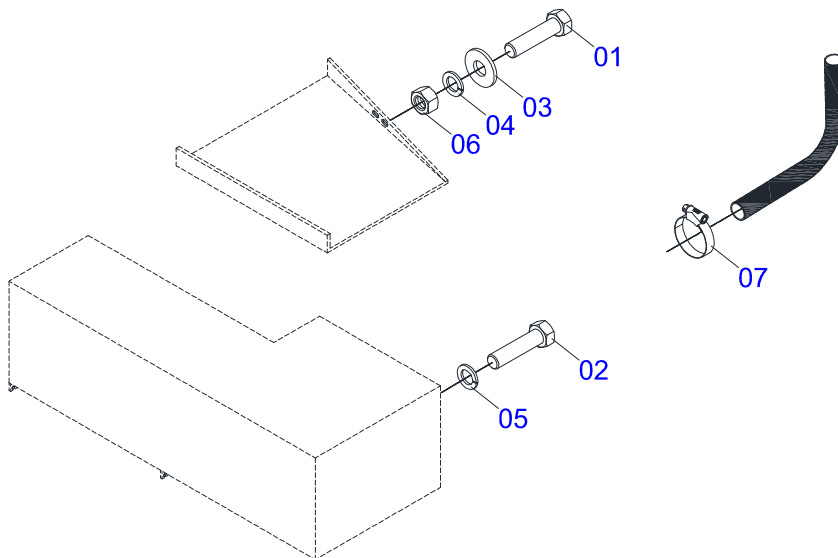
Item	Code	Description	See page	QT
01	0503018034	MALE KNEE JIC		01
02	0581014055	ADAPTER		01
03	0503016854	VALVE ASSY		01
04	0503010045	O'RING		01
05	0581014054	BSP 1/2" NIPPLE		01
06	0503030385	CYLINDER PLUG N-002		01



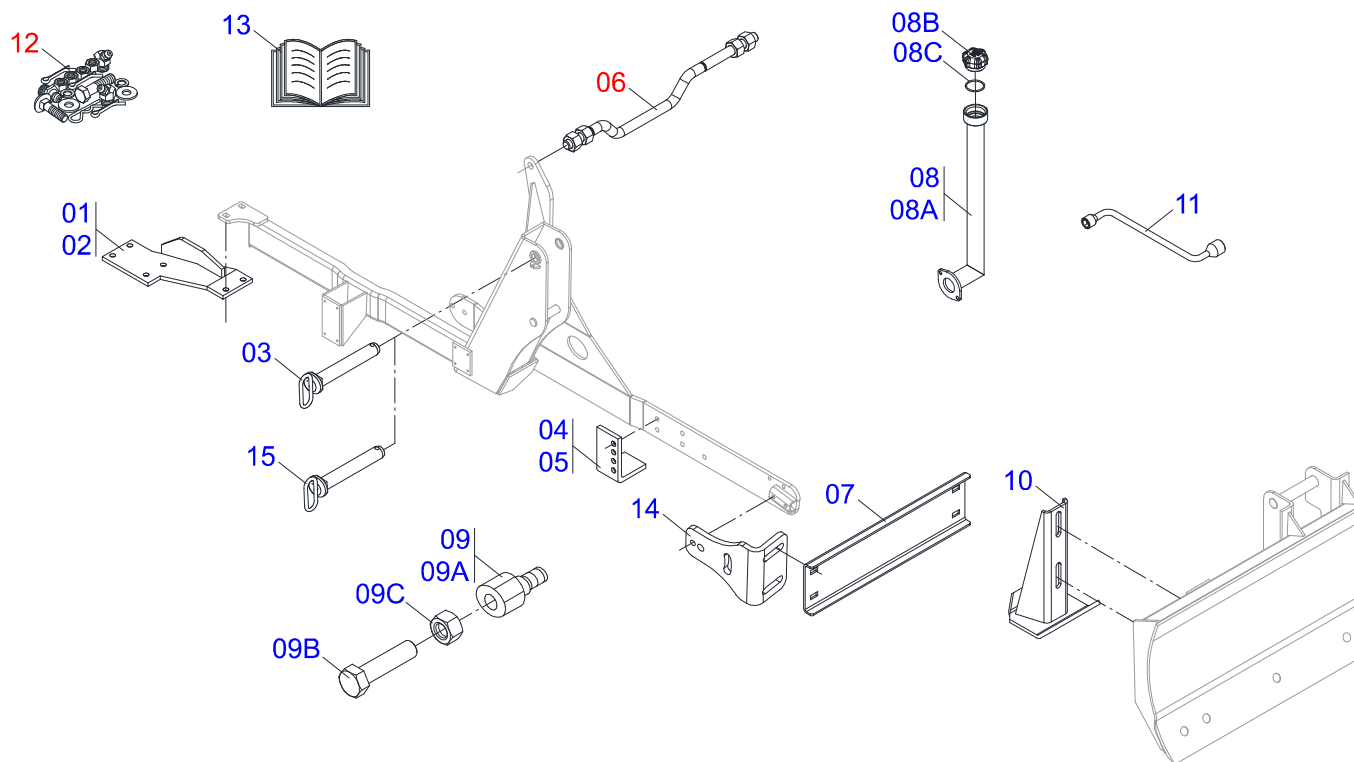
Item	Code	Description	See page	QT
01	0622360016	94.5" SCRAPER REVERSIBLE		01
02	0501069112	2400MM DOZER BLADE		01
03	0501812240	BOLT		08
04	0501812140	FLAT WASHER		08
05	0503011445	SPRING WASHER		08
06	0503810013	NUT 5/8 NC		08
07	0503034003	SERIAL NUMBER TAG 61 X 118		01
08	0503010001	3.2 X 5.5 RIVET		04



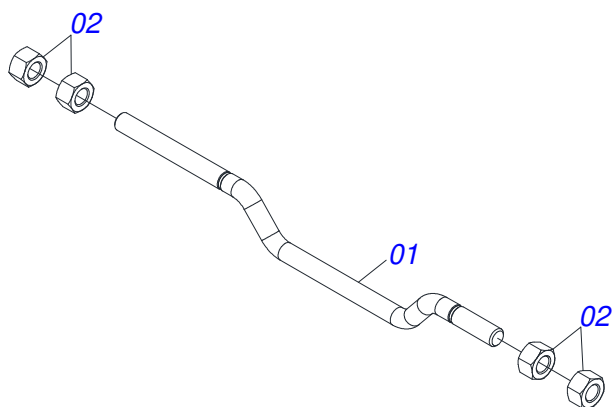
Item	Code	Description	See page	QT
01	0511043614	OIL AUXILIARY TANK		01
01A	0511061957	RIGHT AUXILIARY RESERVOIR		01
01B	0503031604	1/2" BSP PLUG		01
02	0511043615	LH AUXILIARY TANK OIL ASSY		01
02A	0511061958	LEFT AUXILIARY RESERVOIR		01
02B	0503031604	1/2" BSP PLUG		01
03	0503012733	AUXILIARY TANK TUBE		02
05	0531013197	RIGHT TUBE TANK OIL PROTECTION		01
06	0531013198	LEFT TUBE TANK OIL PROTECTION		01
07	0501033735	PACKAGED PIECES SACK	9	01



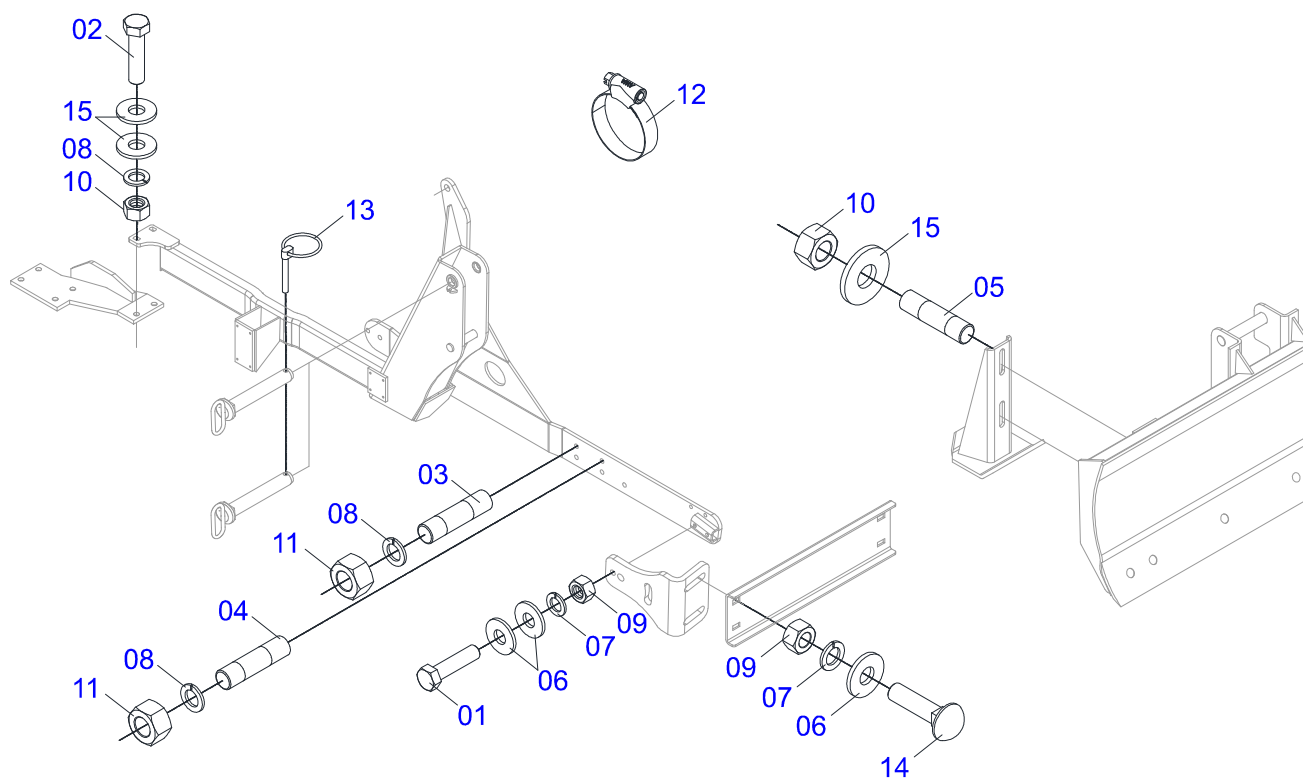
Item	Code	Description	See page	QT
01	0503010751	C3/8" X 1.1/4" HEX BOLT G.5		04
02	0503010813	7/16" X 3/4" BOLT		16
03	0501010984	10,50 X 27 X 3,00 FLAT WASHER		08
04	0503010025	3/8 SPRING WASHER		04
05	0503010180	7/16" SPRING WASHER		16
06	0503010026	3/8" NUT		04
07	0503010184	CLAMP		08



Item	Code	Description	See page	QT
01	0501064839	RH FRAME BRACKET		01
02	0501064840	LH FRAME BRACKET		01
03	0511064410	1.5" X 8.1" COUPLING SHAFT		02
04	0511014395	FRONT AXLE BEATER		01
05	0511014396	FRONT AXLE BEATER		01
06	0501047774	1.1/4" X 33.46" ROD	11	01
07	0541011011	FRONT PROTECTOR PUMP		01
08	0501047999	TANK COVER EXTENSION		01
08A	0501065168	EXTENSION TANK COVER		01
08B	0502020549	TANK COVER		01
08C	0503010141	2-226 N 3006-9B O'RING		01
09	0501051748	ADAPTER ASSY		02
09A	0511016921	ADAPTER BODY BOLT BEATER		01
09B	0521010906	M16 X 2 X 50 BOLT		01
09C	0521010905	M16 X 08" X 0.23" PD V 1380-4S NUT		02
10	0501063411	ESTABILIZER BRACKET		02
11	0501068213	5/8" WRENCH DOUBLE		01
12	0501035353	PACKAGED PIECES SACK	12	01
13	0501038749	BAG WITH INSTRUCTION MANUAL		01
14	0571010158	FIXER GUIDE MOBILE SUPPORT		02
15	0521066515	37,20 X 240 ARTICULATION SHAFT WITH HANDLE		02



Item	Code	Description	See page	QT
01	0521010387	1.1/4" X 33.46" ROD CURVED		01
02	0501010087	1.1/4" NUT		04



Item	Code	Description	See page	QT
01	0501010100	SCREW 5/8 UNC X 2 CS G.5 ZN		10
02	0501010500	3/4" X 3" BOLT		04
03	0501010603	3/4" X 3.74" STUD		10
04	0511014160	3/4" X 4.52" STUD		04
05	0561016756	3/4 UNC X 3/4 UNC X 56 PRISONER		04
06	0501012140	FLAT WASHER		10
07	0503010027	5/8 SPRING WASHER		14
08	0503010023	3/4" SPRING WASHER		18
09	0503010013	5/8 NUT		10
10	0503010014	3/4" HEX NUT		08
11	0503010335	3/4 NUT		14
12	0503010184	CLAMP		08
13	0503030430	7/16 X 2" PIN LOCK		04
14	0503013842	5/8" UNC X 1-3/4" BOLT		04
15	0501010322	FLAT WASHER		12



MARCHESAN

Technical Publications | Elaboration and Revision

LUIZ CANDIDO

www.marchesan.com.br

