

PCA T / PCA PLUS - AGRICULTURAL FRONT LOADER

PCA-T 1750 JD 6415-4 BTSC SL

Code: 0501093505

Series: S-0708

Revision: 00

Date Revision: ABRIL/2023

PARTS CATALOGUE



MARCHESAN



PRODUCTS

Code	Description
0106111084	PCA-T 1750 JD6415-4 BTSC SL S-0708

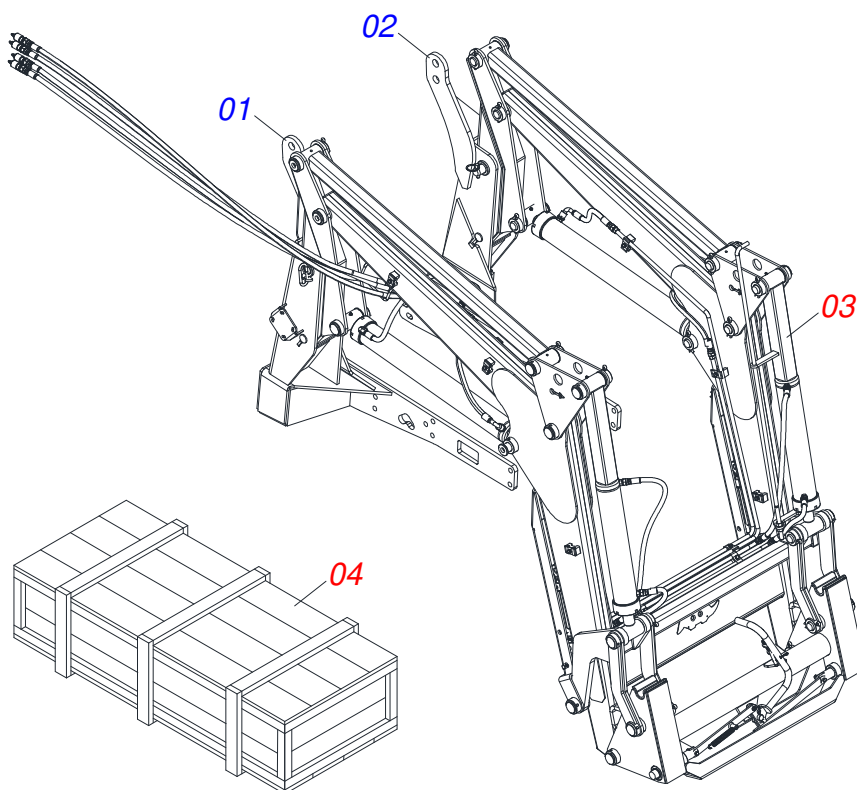
ATTENTION: IMPORTANT

Marchesan S.A. reserves the right to improve and/or modify the technical features of its products, without obligation to do the same with those products already sold and without prior knowledge of the dealer or the customer. The photos are only illustrative.



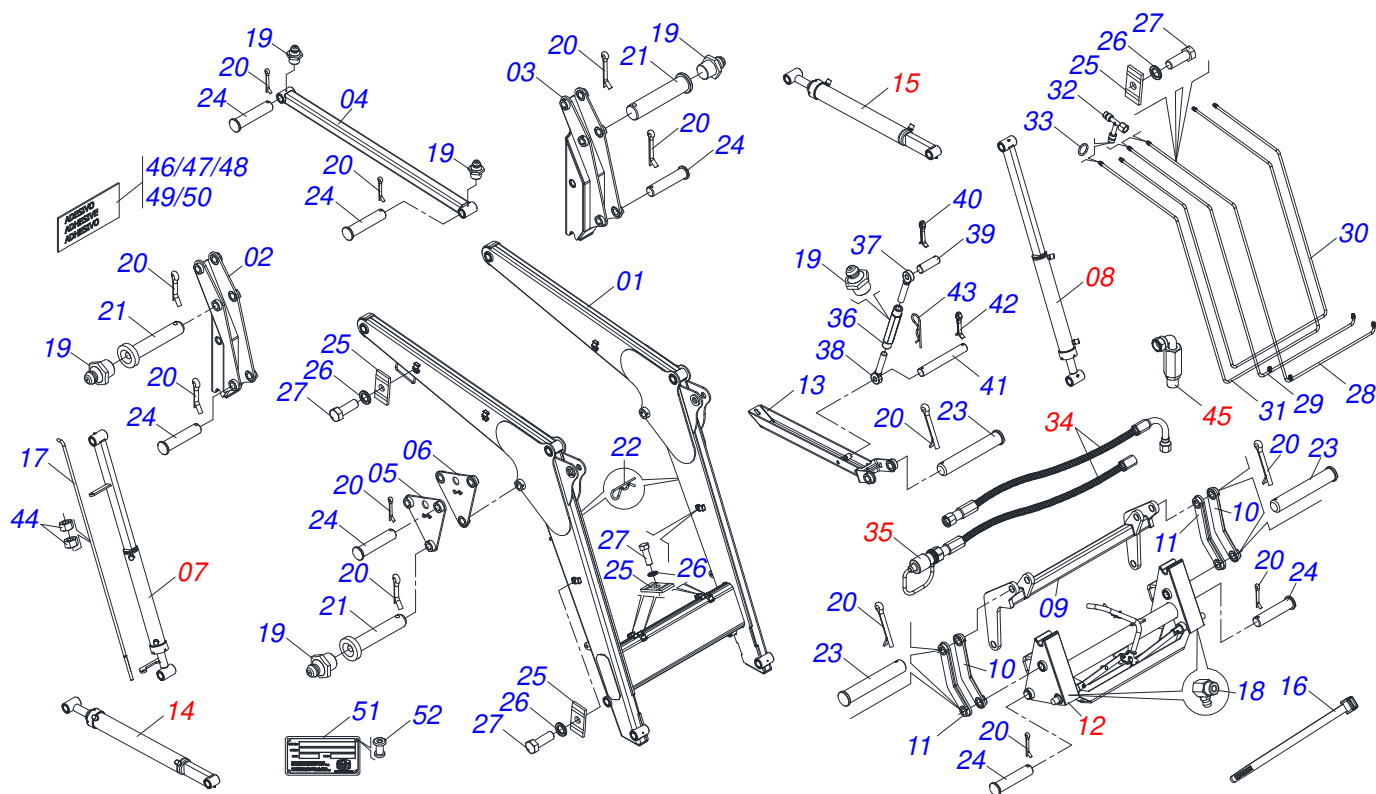
INDEX

0106111084	PCA-T 1750 JD6415-4 BTSC SL S-0708	1
0511048649	MOVING SUPPORT	2
0511045574	HYDRAULIC CYLINDER	3
0511045575	HYDRAULIC CYLINDER	4
0511043359	ARTICULATION ASSY	5
0511057996	HYDRAULIC CYLINDER	6
0511058003	HYDRAULIC CYLINDER	7
0511057098	HOSE KIT MOBILE SUPPORT FULL	8
0501053834	MALE QUICK COUPLER	9
0511057810	SAFETY VALVE ASSEMBLY	10
0511024475	COMPONENTS BOX	11
0501042819	1.1/4" NC X 33.46" ASSY ROD	12
0501035714	PACKED PARTS	13



Item	Code	Description	See page	QT
01	0511067172	RIGHT FRAME		01
02	0511067173	LEFT FRAME		01
03	0511048649	MOVING SUPPORT	2	01
04	0511024475	COMPONENTS BOX	11	01

MOVING SUPPORT



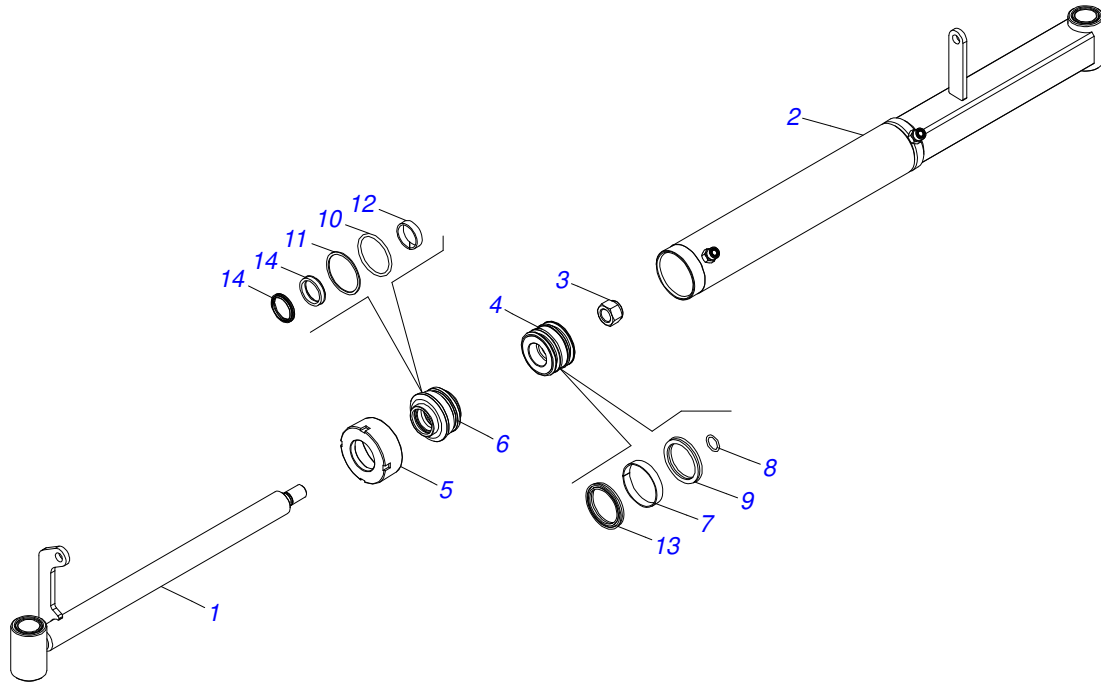
Item	Code	Description	See page	QT
01	0511066107	MOBILE SUPPORT		01
02	0521060835	RIGHT MOBILE TOWER		01
03	0521060836	LEFT MOBILE TOWER		01
04	0511066074	ARM PIVOT		02
05	0511066116	COPY ROCKER ARM		02
06	0521062748	COPY ROCKER ARM		02
07	0511045574	HYDRAULIC CYLINDER	3	01
08	0511045575	HYDRAULIC CYLINDER	4	01
09	0511066079	LARGER SUPPORT		01
10	0511066123	SMALLER SUPPORT		02
11	0511066120	LEFT SMALLER SUPPORT		02
12	0511043359	ARTICULATION ASSY	5	01
13	0511066078	PLOUGH SUPPORT		02
14	0511057996	HYDRAULIC CYLINDER	6	01
15	0511058003	HYDRAULIC CYLINDER	7	01
16	0503013527	CLAMP ZIPER		04
17	0561012100	ROD REGULACION		01
18	0503010003	1845 GREASE FITTING		08
19	0503010002	1800 GREASE FITTING		22
20	0503010073	3/8 X 3-1/2 COTTERPIN		18
21	0541014981	1.5" X 6.3" COUPLING SHAFT		04
22	0503030168	HITCH PIN CLIP		02
23	0561011939	JUNCTION AXLE		06
24	0561014067	COUPLING SHAFT		10
25	0531011180	UPPER BODY CLIP		13
26	0503010025	3/8 SPRING WASHER		13
27	0503010237	3/8" X 1" BOLT		13
28	0511066211	PIVOT CYL SMALLE TUBE		01
29	0511066210	PIVOT CYLINDER LARGER TUBE		01
30	0511066209	MOBILE SUPPORT CYLINDER LARGER TUBE		01
31	0511066208	MOBILE SUPPORT CYL SMALLE TUBE		01



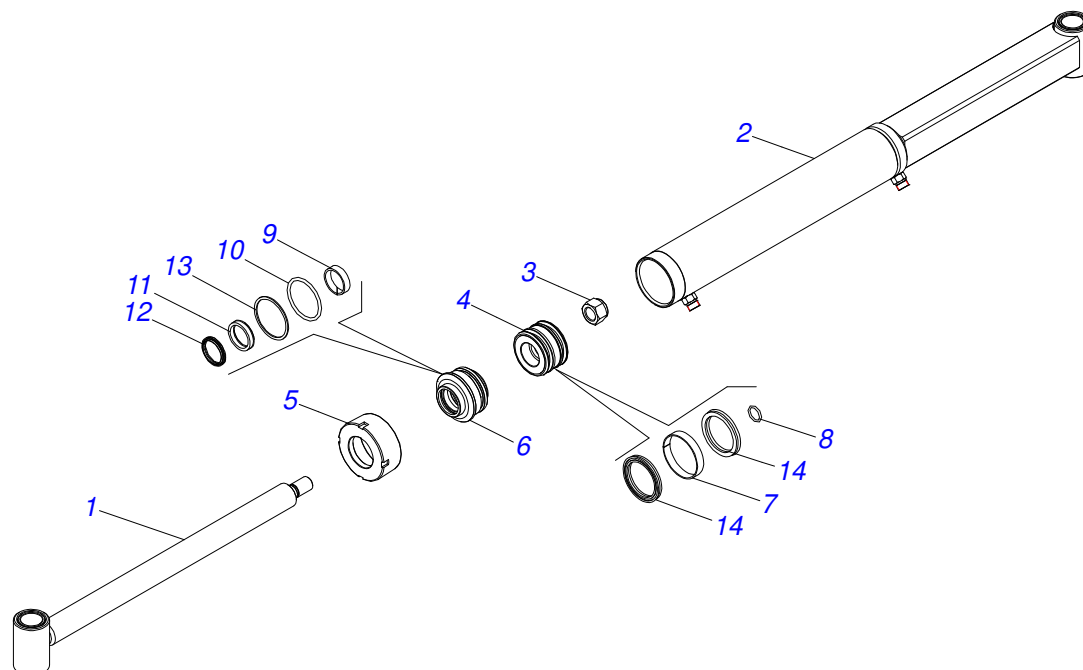
MOVING SUPPORT

0511048649

Item	Code	Description	See page	QT
32	0503030964	T CONNECTOR		02
33	0503011030	2-014 N 3006-9B O'RING		22
34	0511057098	HOSE KIT MOBILE SUPPORT FULL	8	01
35	0501053834	MALE QUICK COUPLER	9	04
36	0502012530	REGULATOR NUT BODY R1		02
37	0502012562	LEFT SPINDLE R1 X 160		02
38	0502012529	RIGHT SPINDLE R1 X 160		02
39	0561015578	3/4 X 56 COUPLING SHAFT		02
40	0503010300	5/32" X 1" COTTERPIN		01
41	0521012777	COUPLING SHAFT		02
42	0503010071	3/16" X 1" COTTERPIN		04
43	0503030012	HITCH PIN CLIP		02
44	0503010013	5/8 NUT		02
45	0511057810	SAFETY VALVE ASSEMBLY	10	04
46	0503062222	SET LABEL ADHESIVE		01
47	0503031087	ADHESIVE LABEL		01
48	0503031428	READ MANUAL DECAL		01
49	0503031827	LUBRICATE AND RETIGHTEN DAILY DECAL		01
50	0503034078	LIFTING POINTS DECAL		03
51	0503034003	SERIAL NUMBER TAG 61 X 118		01
52	0503010001	3.2 X 5.5 RIVET		04

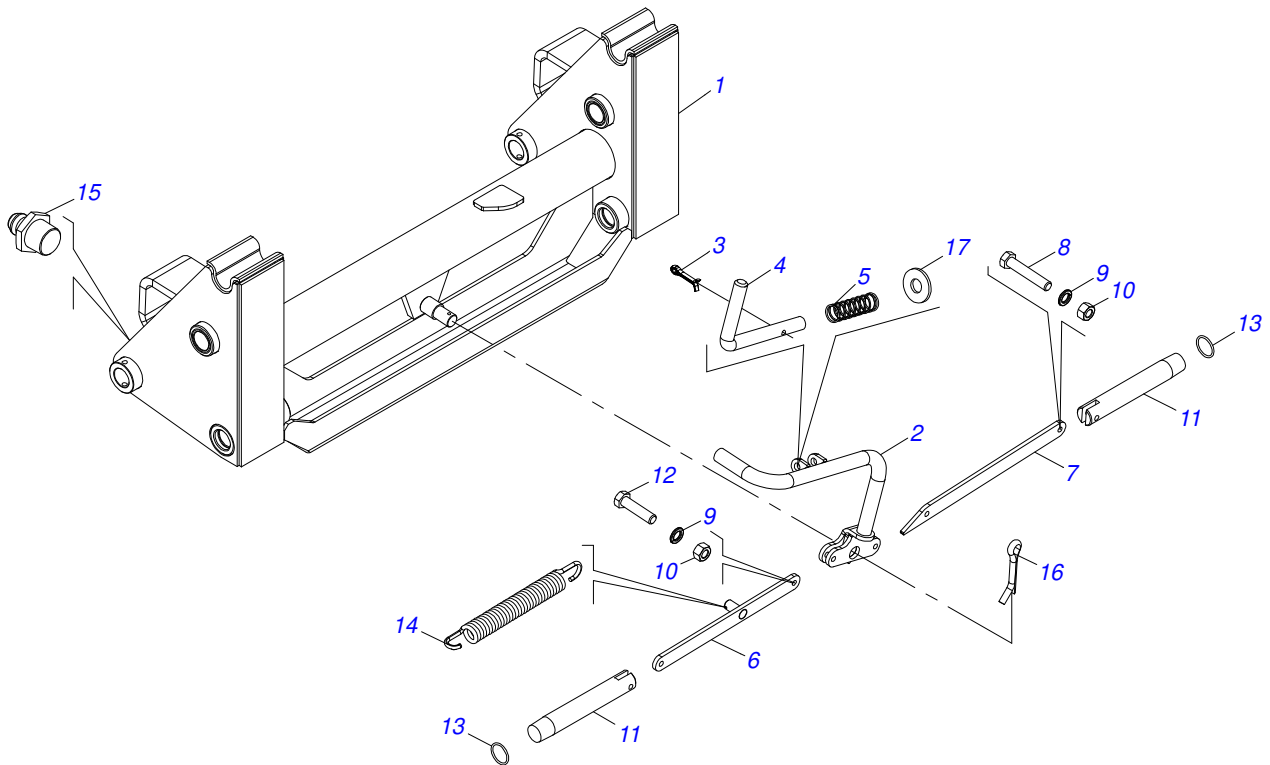


Item	Code	Description	See page	QT
01	0511068256	44,45 X 651 TURNBUCKLE		01
02	0511068254	2.4" X CYLINDER CASE		01
03	0503010063	1" SELF-ALIGNING NUT		01
04	0502010843	1.8" X 3.4" PISTON		01
05	0502010993	DETACHABLE COVER		01
06	0502010781	RING SUPPORT		01
07	0503010948	W4-3346-590 PK RING G.E		01
08	0503010042	2-214 N 3006-9B O'RING		01
09	0503010949	W2-2000-500 PK RING G.E		01
10	0503011060	8-336 BACK-UP RING		01
11	0503010976	2-336 N 3006-9B O'RING		01
12	0503010990	GASKET		01
13	0503010761	D-1750 SCRAPER RING		01
14	0503010170	PACKING 3120 2750		02
15	0501031796	HYDRAULIC CYLINDER REPAIR KIT		01

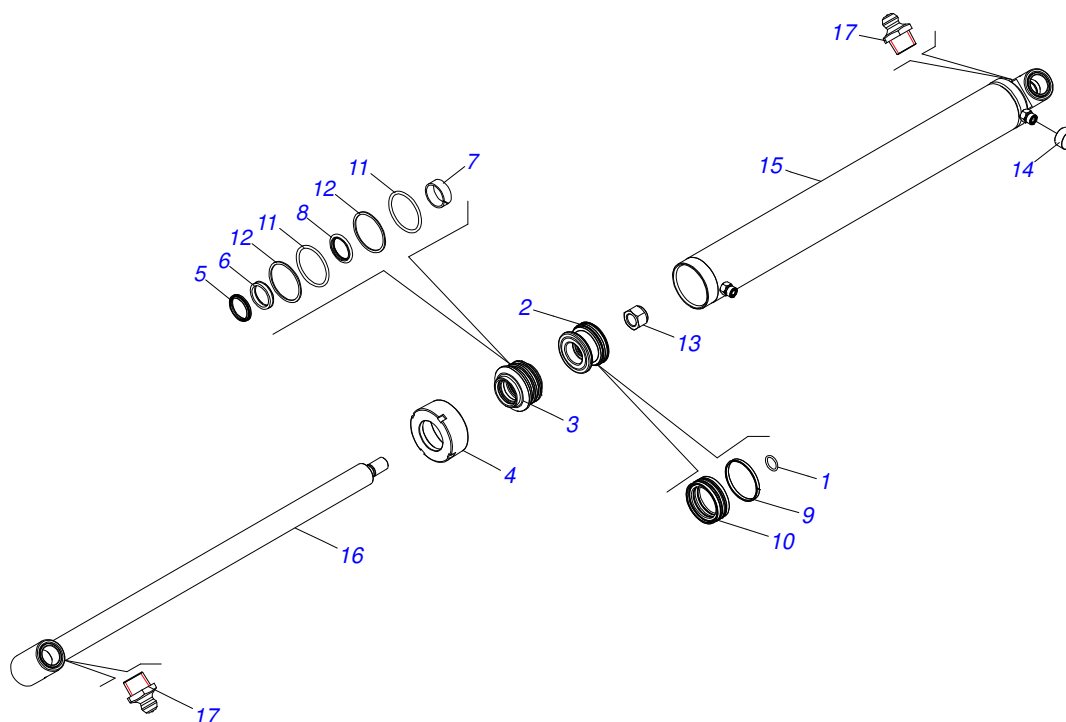


Item	Code	Description	See page	QT
01	0511068257	44,45 X 651 TURNBUCKLE		01
02	0511068255	CAMISA 85,72 X		01
03	0503010063	1" SELF-ALIGNING NUT		01
04	0502010843	1.8" X 3.4" PISTON		01
05	0502010993	DETACHABLE COVER		01
06	0502010781	RING SUPPORT		01
07	0503010948	W4-3346-590 PK RING G.E		01
08	0503010042	2-214 N 3006-9B O'RING		01
09	0503010949	W2-2000-500 PK RING G.E		01
10	0503011060	8-336 BACK-UP RING		01
11	0503010976	2-336 N 3006-9B O'RING		01
12	0503010990	GASKET		01
13	0503010761	D-1750 SCRAPER RING		01
14	0503010170	PACKING 3120 2750		02
15	0501031796	HYDRAULIC CYLINDER REPAIR KIT		01

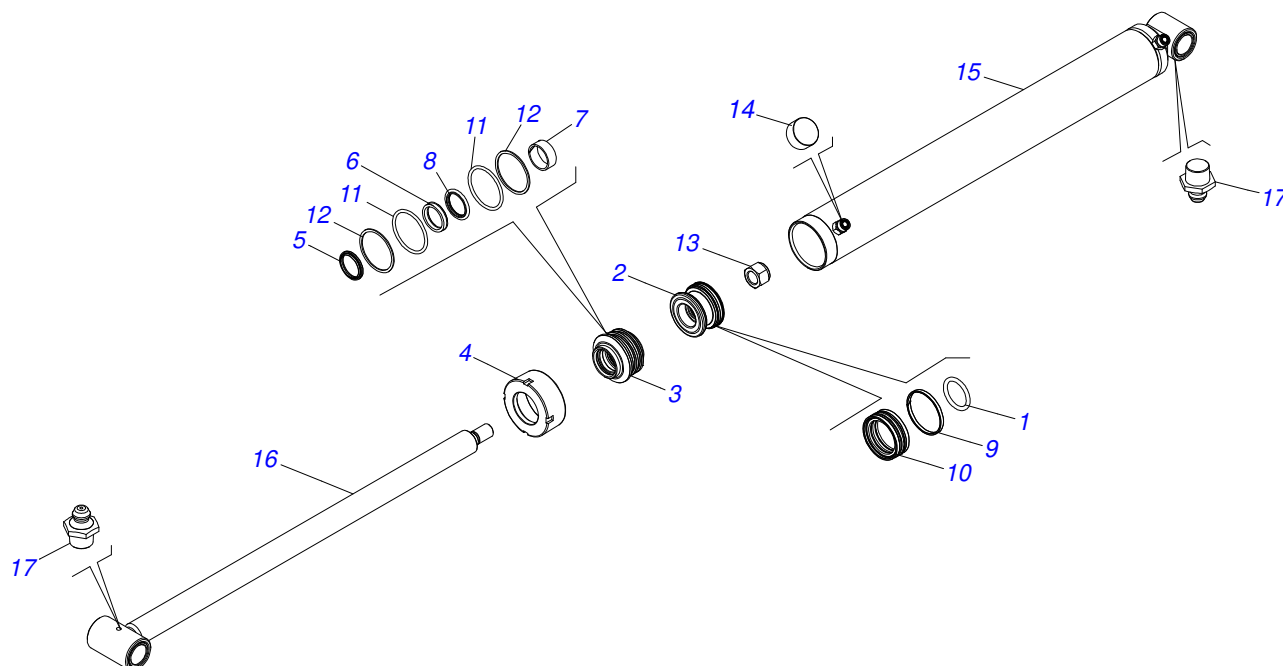
ARTICULATION ASSY



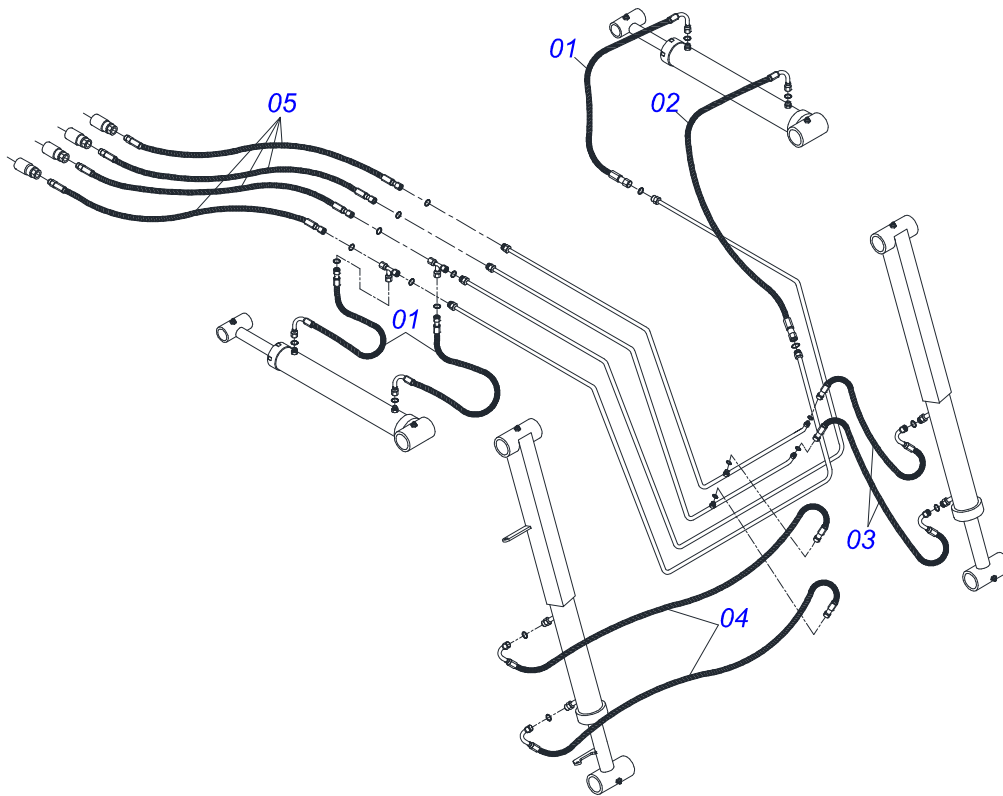
Item	Code	Description	See page	QT
01	0511066088	ARTICULATION		01
02	0521060524	DISARM LEVER		01
03	0503010071	3/16" X 1" COTTERPIN		01
04	0541014962	DISASSEMBLE TRIGGER		01
05	0503032132	COMPRESSION SPRING		01
06	0511066181	ARM DISARM		01
07	0541014964	BODY LEFT ARM DISARM		01
08	0503010849	3/8" X 1-1/2" BOLT		02
09	0503010025	3/8 SPRING WASHER		04
10	0503010026	3/8" NUT		04
11	0541014963	LOCK PIN PCA-T 1750		02
12	0501010096	3/8" X 2" BOLT		02
13	0503010285	2-222 N 3006-9B O'RING		04
14	0503031574	6.9" X 0.8" X 0.1" TRACTION SPRING		01
15	0503010002	1800 GREASE FITTING		04
16	0503010571	1/4" X 1.1/2 COTTERPIN		01
17	0511017302	FLAT WASHER 13,50 X 32,50 X 3,0 ZN		01



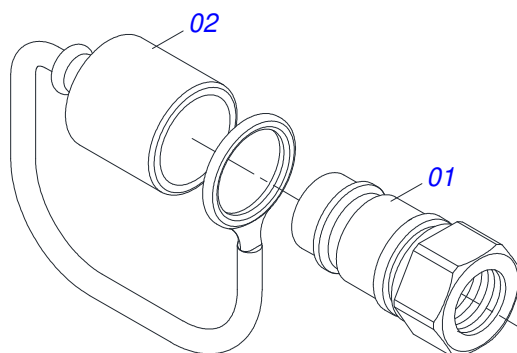
Item	Code	Description	See page	QT
01	0503010042	2-214 N 3006-9B O'RING		01
02	0571019710	1.7" X 3.4" PISTON		01
03	0571019711	RING SUPPORT		01
04	0571019709	DETACHABLE COVER		01
05	0503010761	D-1750 SCRAPER RING		01
06	0503017937	GASKET		01
07	0503017938	RING GUIDE		01
08	0503017936	RING		01
09	0503018144	RING		01
10	0503017935	RING		01
11	0503017939	2-337 N 3006-9B O' RING		02
12	0503017940	8-337 BACK-UP RING		02
13	0503010063	1" SELF-ALIGNING NUT		01
14	0503030387	PLUG		02
15	0511066174	CYLINDER CASE		01
16	0511066172	1.5" X 36.6" TURNBUCLE		01
17	0503010002	1800 GREASE FITTING		02
18	0511032281	HYDRAULIC CYLINDER REPAIR KIT		01



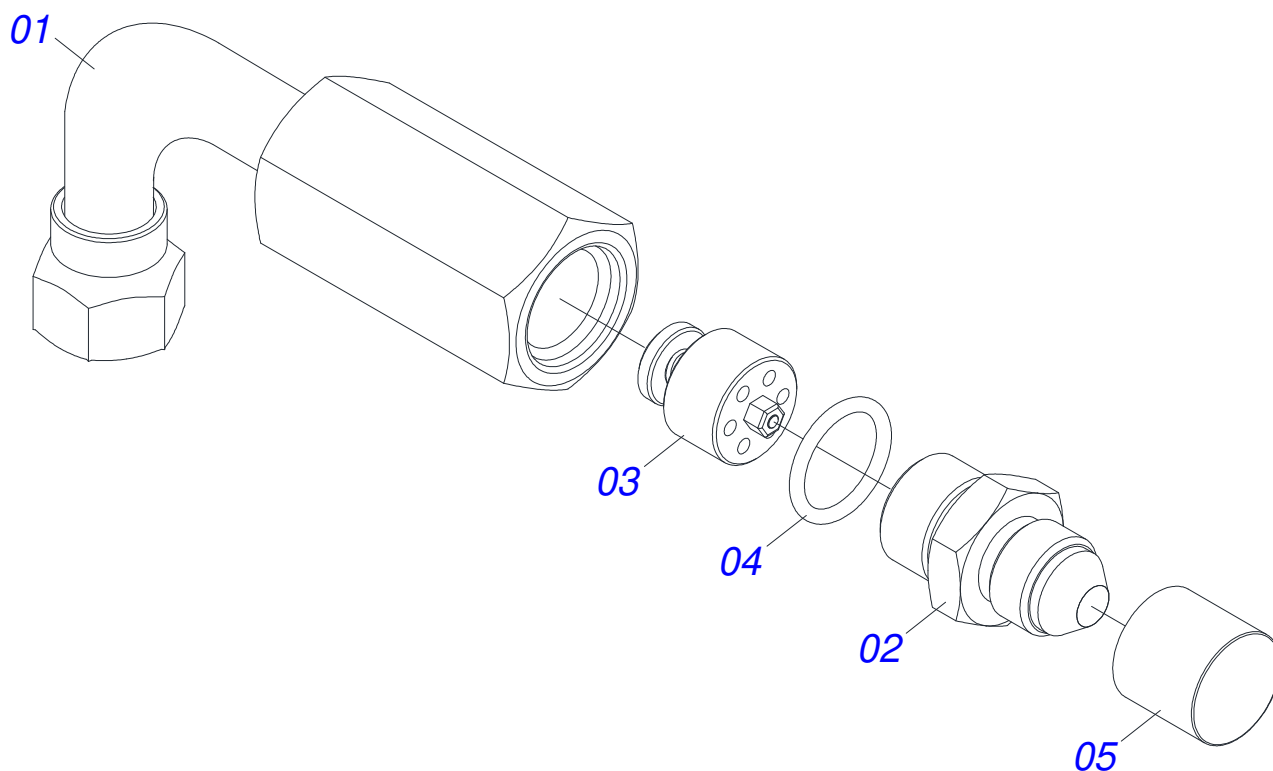
Item	Code	Description	See page	QT
01	0503010042	2-214 N 3006-9B O'RING		01
02	0571019710	1.7" X 3.4" PISTON		01
03	0571019711	RING SUPPORT		01
04	0571019709	DETACHABLE COVER		01
05	0503010761	D-1750 SCRAPER RING		01
06	0503017937	GASKET		01
07	0503017938	RING GUIDE		01
08	0503017936	RING		01
09	0503018144	RING		01
10	0503017935	RING		01
11	0503017939	2-337 N 3006-9B O' RING		02
12	0503017940	8-337 BACK-UP RING		02
13	0503010063	1" SELF-ALIGNING NUT		01
14	0503030387	PLUG		02
15	0521066473	CYLINDER CASE		01
16	0511066172	1.5" X 36.6" TURNBUCLE		01
17	0503010002	1800 GREASE FITTING		02
18	0511032281	HYDRAULIC CYLINDER REPAIR KIT		01



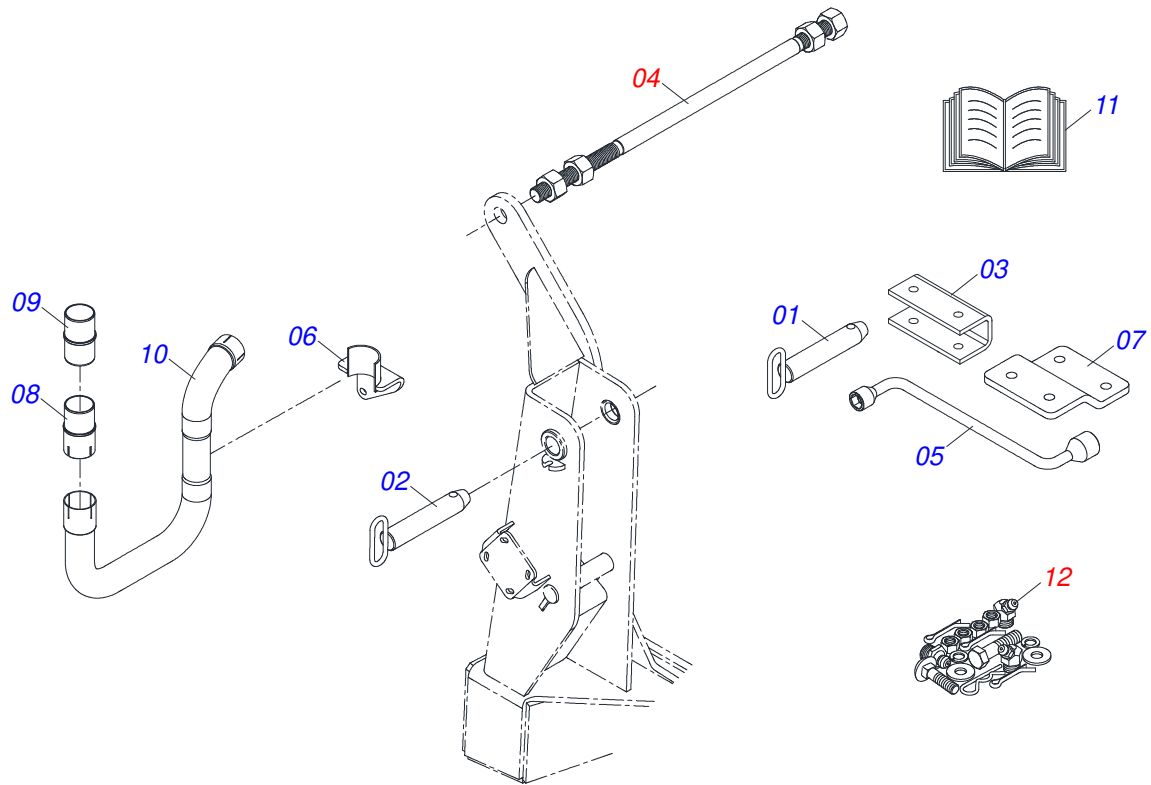
Item	Code	Description	See page	QT
01	0501080969	1/2" X 29.52" TR-TC OFS HOSE		03
02	0501080554	1/2" X 27.6" TR-TC OFS HOSE		01
03	0501080970	1/2" X 23.6" TR-TC OFS HOSE		02
04	0501080971	1/2" X 33.46" TR-TC HOSE ASSY		02
05	0501080917	1/2" X 216.53" TR-TM OFS HOSE		04



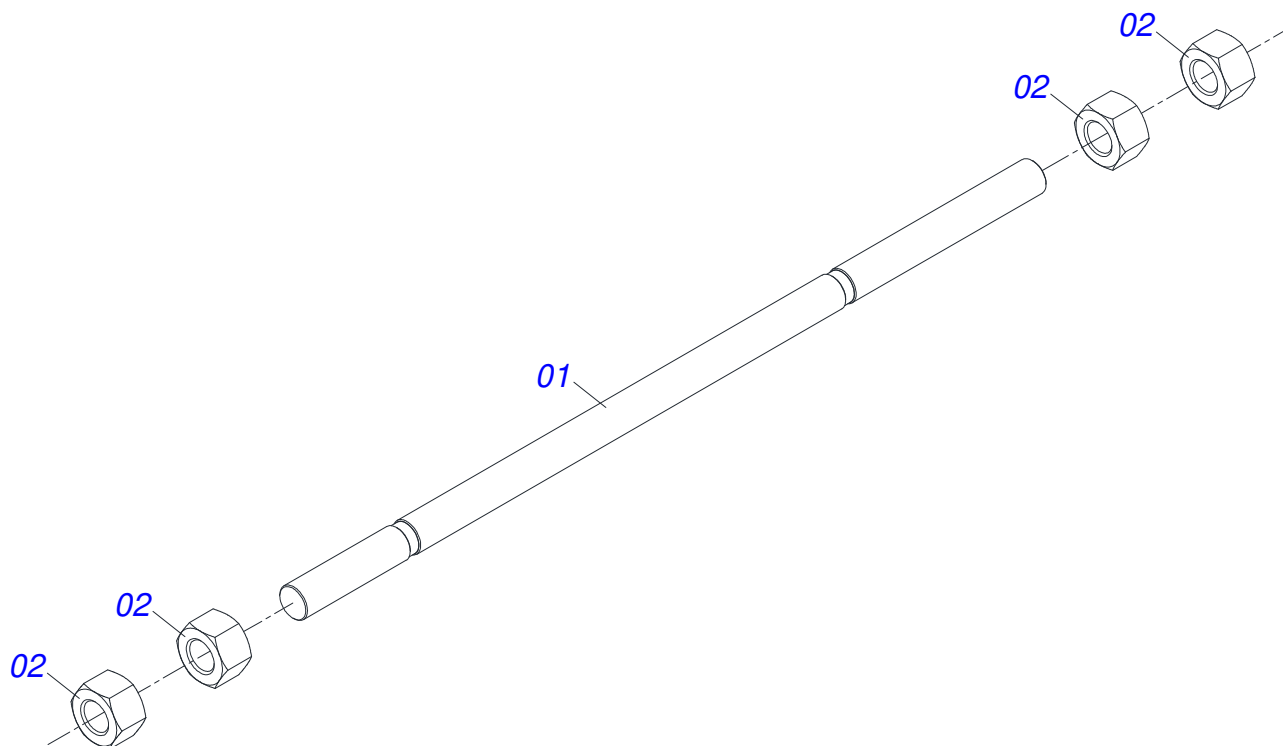
Item	Code	Description	See page	QT
01	0503011627	MALE QUICK COUPLER AGR 1/2 NPT		01
02	0503011882	MALE QUICK COUPLER CAP		01



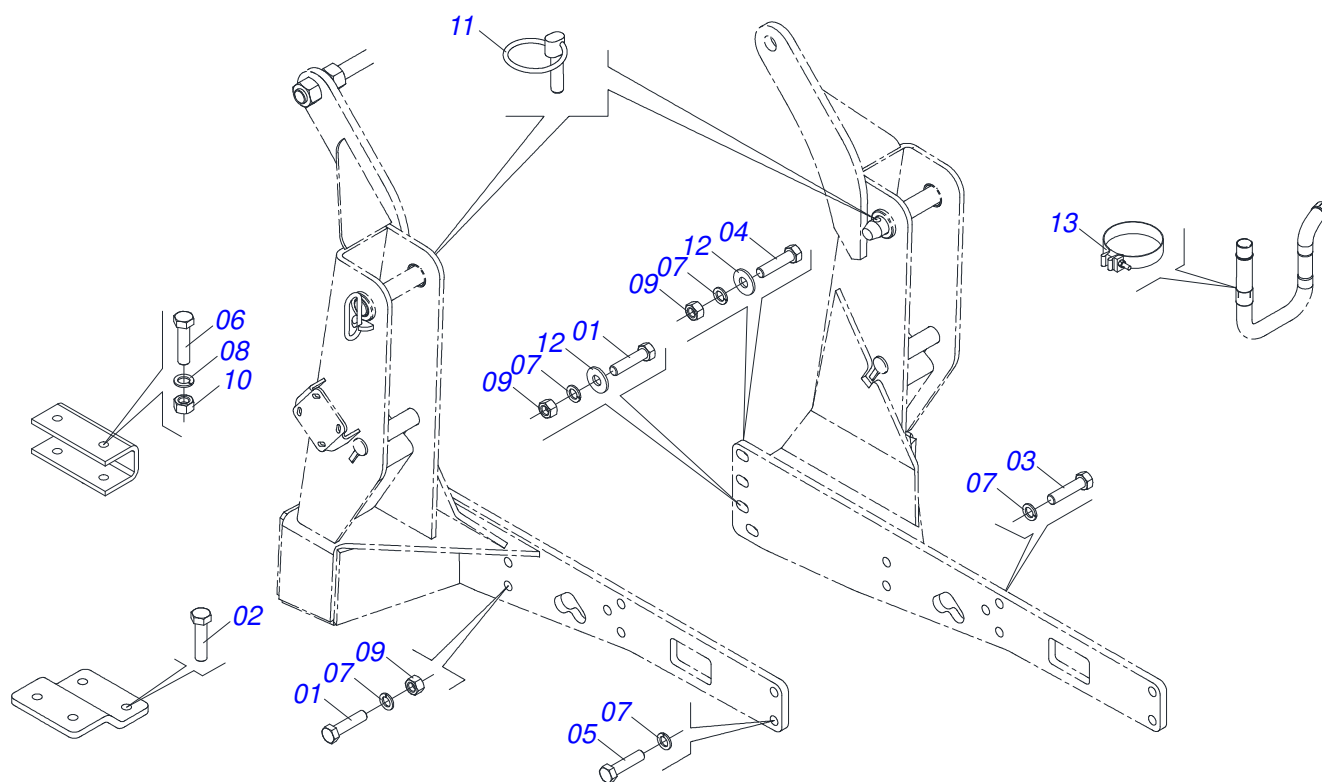
Item	Code	Description	See page	QT
01	0521067686	ADAPTER VALVE		01
02	0581014051	1/2" NIPPLE		01
03	0503016854	SAFETY VALVE		01
04	0503010045	O'RING		01
05	0503030385	CYLINDER PLUG N-002		01



Item	Code	Description	See page	QT
01	0511060085	1.47" X 9.25" PIVOT SHAFT		02
02	0521068124	JOINT SHAFT WITH HANDLE - 37,20 X 215		02
03	0541019088	BATTERY BOX FIXING SUPPORT		01
04	0501042819	1.1/4" NC X 33.46" ASSY ROD	12	01
05	0501068213	5/8" WRENCH DOUBLE		01
06	0521062065	FIXER SUPPLEMENT		01
07	0561017912	FIXER SUPPLEMENT		01
08	0571014730	SLEEVE		01
09	0581011746	SLEEVE		01
10	0503032722	EXHAUST		01
11	0511032439	BAG WITH INSTRUCTION MANUAL		01
12	0501035714	PACKED PARTS	13	01



Item	Code	Description	See page	QT
01	0501018845	1.1/4" X 33.46" ROD		01
02	0501010087	1.1/4" NUT		04



Item	Code	Description	See page	QT
01	0501010125	3/4" X 2-1/2" BOLT		08
02	0503013853	M12 X 1,75 X40 BOLT		02
03	0503013110	M20 X 2,5 X 50 BOLT		04
04	0503013111	M20 X 2,5 X 65 BOLT		04
05	0503013103	M20 X 2,5 X 90 BOLT		10
06	0503010920	1/2 UNC X 1.1/2 C S G.5 ZN BOLT		02
07	0503010023	3/4" SPRING WASHER		08
08	0503010019	1/2" SPRING WASHER		02
09	0503010014	3/4" HEX NUT		08
10	0503010060	1/2 UNC G.5 ZN HEX NUT		02
11	0503030430	7/16 X 2" PIN LOCK		04
12	0501010322	FLAT WASHER		08
13	0503015725	CLAMP		01



MARCHESAN

Technical Publications | Elaboration and Revision

LORENA ROCHA ALVES

www.marchesan.com.br

