

**OFFSET DISK HARROW**

**GASPCR-HD 9017 - 2.1/2" AXLE -  
MECHANICAL ARTICULATED - 32/34/36D**

**Code:** 0501093500  
**Series:** S-1120  
**Revision:** 00  
**Date Revision:** MARÇO/2023

**PARTS  
CATALOGUE**



**MARCHESAN**



# PRODUCTS

Code	Description
0102090331	GASPCR HD9017 32X36X12 DR DM MEC E2.1/2 ESP S-1120
0102090334	GASPCR HD9017 32X36X12 DR DM MEC E2.1/2 ESP S-1120
0102090355	GASPCR HD9017 32X36X12 DR DM MEC E2.1/2 USA S-1120
0102090332	GASPCR HD9017 32X40X12 DR DM MEC E2.1/2 ESP S-1120
0102090333	GASPCR HD9017 32X40X12 DR DM MEC E2.1/2 ESP S-1120
0102090335	GASPCR HD9017 34X36X12 DR DM MEC E2.1/2 ESP S-1120
0102090337	GASPCR HD9017 34X36X12 DR DM MEC E2.1/2 ESP S-1120
0102090356	GASPCR HD9017 34X36X12 DR DM MEC E2.1/2 USA S-1120
0102090338	GASPCR HD9017 34X40X12 DR DM MEC E2.1/2 ESP S-1120
0102090336	GASPCR HD9017 34X40X12 DR DM MEC E2.1/2 ESP S-1120
0102090341	GASPCR HD9017 36X36X12 DR DM MEC E2.1/2 ESP S-1120
0102090339	GASPCR HD9017 36X36X12 DR DM MEC E2.1/2 ESP S-1120
0102090357	GASPCR HD9017 36X36X12 DR DM MEC E2.1/2 USA S-1120
0102090340	GASPCR HD9017 36X40X12 DR DM MEC E2.1/2 ESP S-1120

## ATTENTION: IMPORTANT

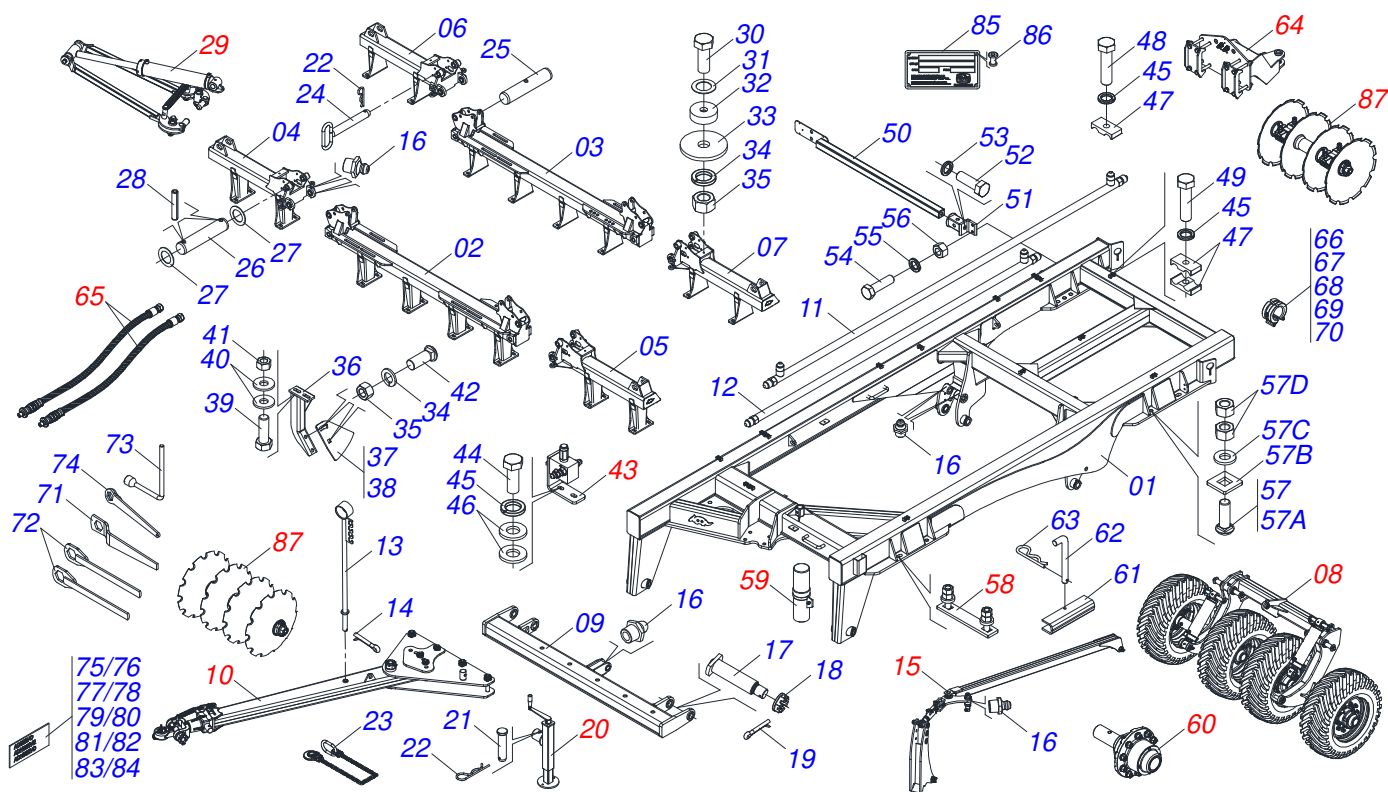
Marchesan S.A. reserves the right to improve and/or modify the technical features of its products, without obligation to do the same with those products already sold and without prior knowledge of the dealer or the customer. The photos are only illustrative.



**MARCHESAN**

# INDEX

0909096675	ASSY FRAME - 32/34/36D	.....	1
0909096659	WHEEL SET	.....	2
0521058003	2" X 5" X 25" X 13" HIDRAULIC CYLINDER	.....	3
0531051144	WHEEL WITHOUT TIRE	.....	4
0521058810	WHEEL WITHOUT TIRE	.....	5
0501111042	WHEEL CASE WITH SCREW	.....	6
0503063281	RIGHT WHEEL	.....	7
0503063282	LEFT WHEEL	.....	8
0521041823	ASSY TRACTION BAR (PIN 3)	.....	9
0531040171	ASSY HITCH	.....	10
0909092130	ASSY DRAWBAR ARTICULATOR	.....	11
0511059199	STABILIZER BAR REGULATOR EXTENSOR	.....	12
0511048088	DRAWBAR JACK	.....	13
0909096384	ARTICULATOR ASSEMBLY	.....	14
0511050181	LH FRONT/RH REAR ARTICULACION	.....	15
0511050182	RH FRONT/LH REAR ARTICULACION	.....	16
0511059197	3" X 4" X 42" X 28" HYDRAULIC CYLINDER	.....	17
0511059196	ASSY VALVE	.....	18
0531040021	FIXING ASSEMBLY	.....	19
0521052190	MANUAL CANISTER ASSY	.....	20
0531040022	REAR HITCH SET	.....	21
0501053835	FEMALE QUICK COUPLER	.....	22
0909096663	FRAMES ARTICULATION HYDRAULIC CIRCUIT	.....	23
0909096676	WHEEL LIFTING HYDRAULIC CIRCUIT	.....	24
0501053834	MALE QUICK COUPLER	.....	25
0909096665	ASSY DISCS SECTION - 32/34/36D	.....	26
0521041291	OIL 16" X 2.1/2" BEARING ASSY	.....	27



Item	Code	Description	See page	032	034	036
01	0531060847	FRAME		001	001	001
02	0531061777	FRONT FRAME - 32/36D		001	000	001
02.	0531061775	REAR FRAME - 34D		000	001	000
03	0531061776	REAR FRAME -32/36D		001	000	001
03.	0531061774	REAR FRAME - 34D		000	001	000
04	0531061778	RIGHT SIDE FRONT FRAME - 32/34D		001	001	000
04.	0531061784	RIGHT SIDE FRONT FRAME - 36D		000	000	001
05	0531061779	LEFT SIDE FRONT FRAME - 32/34D		001	001	000
05.	0531061785	LEFT SIDE FRONT FRAME - 36D		000	000	001
06	0531061780	RIGHT SIDE REAR FRAME - 32/34D		001	001	000
06.	0531061783	RIGHT SIDE REAR FRAME - 36D		000	000	001
07	0531061781	LEFT SIDE REAR FRAME - 32/34D		001	001	000
07.	0531061782	LEFT SIDE REAR FRAME - 36D		000	000	001
08	0909096659	WHEEL SET	2	001	001	001
09	0521068250	HITCH BAR		001	001	001
10	0521041823	ASSY TRACTION BAR (PIN 3)	9	001	001	001
11	0521066126	DISTRIBUTOR OIL TUBE		002	002	002
12	0521066937	OIL DISTRIBUTOR DUCT		002	002	002
13	0531061120	HOSE SUPPORT		001	001	001
14	0503010523	1/4" X 2" COTTERPIN		001	001	001
15	0909092130	ASSY DRAWBAR ARTICULATOR	11	001	001	001
16	0503010002	1800 GREASE FITTING		029	029	029
17	0521063989	50,8 X 380 AXLE WITH LOCK		002	002	002
18	0501011301	1.1/2 UNC 6FPP 2.5/16 NUT		002	002	002
19	0503010010	1/4" X 2.1/2" COTTERPIN		002	002	002
20	0511048088	DRAWBAR JACK	13	001	001	001
21	0561014251	COUPLING SHAFT		001	001	001
22	0503030012	HITCH PIN CLIP		005	005	005
23	0503019848	SAFETY CHAIN		001	001	001
24	0521068256	AXIS BLOCAGE 25,40 X 285		004	004	004
25	0541016676	1.1/2 X 175 AXLE		004	004	004

**ASSY FRAME - 32/34/36D**

0909096675

Item	Code	Description	See page	032	034	036
26	0581015612	JUNCTION SHAFT 50,90 X 452		004	004	004
27	0511019776	FLAT WASHER		008	008	008
28	0503011069	0.4" X 2.8" SPRING PIN		008	008	008
29	0909096384	ARTICULATOR ASSEMBLY	14	001	001	001
30	0503010233	5/8" X 2-1/2" BOLT		004	004	004
31	0571010265	16.5 X 40 X 3 FLAT WASHER		004	004	004
32	0581011153	FRAME BEAT		004	004	004
33	0571013284	17.5 X 90 X 4.75 FLAT WASHER		004	004	004
34	0503010027	5/8 SPRING WASHER		068	072	076
35	0503010013	5/8 NUT		068	072	076
36	0511064771	FRONT SCRAPER SUPPORT		032	034	036
37	0521013678	FRONT CLEANER		016	017	018
38	0521013679	REAR CLEANER		016	017	018
39	0501010500	3/4"X3"BOLT		064	068	072
40	0541010763	FLAT WASHER		128	136	144
41	0503010014	3/4" HEX NUT		064	068	072
42	0503012195	5/8" NUT		064	068	072
43	0511059196	ASSY VALVE	18	001	001	001
44	0503011173	7/16" X 2" BOLT		002	002	002
45	0503010180	7/16" SPRING WASHER		016	016	016
46	0501012803	FLAT WASHER		004	004	004
47	0502010477	HOSE CLAMP		018	018	018
48	0503011135	BOLT		012	012	012
49	0503011103	7/16" X 2-1/2" BOLT		002	002	002
50	0521066443	SUPPORT FIXER LANTERN		002	002	002
51	0521066624	FIXER SUPPORT LANTERN		002	002	002
52	0501010098	3/4" UNC BOLT		002	002	002
53	0503010023	3/4" SPRING WASHER		002	002	002
54	0503011082	C1/2" X 1.3/4" SCREW		004	004	004
55	0503010019	1/2" SPRING WASHER		004	004	004
56	0503010060	1/2 UNC G.5 ZN HEX NUT		004	004	004
57	0521040349	1-1/4" X 5.3/4" BOLT		006	006	006
57A	0501010954	1.1/4" X 5.3/4" BOLT		006	006	006
57B	0571010449	LOCK BOLT		006	006	006
57C	0571010448	32,50 X 75 X 16 SLEEVE		006	006	006
57D	0501010087	1.1/4" NUT		012	012	012
58	0531040021	FIXING ASSEMBLY	19	003	003	003
59	0521052190	MANUAL CANISTER ASSY	20	001	001	001
60	0521058810	WHEEL WITHOUT TIRE	5	004	004	004
61	0561016693	TRANSPORT LOCK		002	002	002
62	0541016844	FIXER LOCK		002	002	002
63	0503030285	HITCH PIN CLIP		002	002	002
64	0531040022	REAR HITCH SET	21	001	001	001
65	0909096663	FRAMES ARTICULATION HYDRAULIC CIRCUIT	23	001	001	001
65.	0909096676	WHEEL LIFTING HYDRAULIC CIRCUIT	24	001	001	001
66	0501047895	25 ROD STOP		004	004	004
67	0501047887	40 ROD STOP		002	002	002
68	0501047888	45 ROD STOP		002	002	002
69	0501047885	30 ROD STOP		002	002	002
70	0501047886	35 ROD STOP		002	002	002
71	0501011432	1-1/2" AND 1-5/8 GANG BOLT WRENCH		001	001	001
72	0501061044	2-1/8" AND 2-1/2" CABLE FLAT WRENCH		002	002	002
73	0503016137	1-1/4" WRENCH CABLE CYLINDER		001	001	001
74	0521062858	1.1/4" WRENCH NUT		001	001	001
75	0503034078	LIFTING POINTS DECAL		004	004	004
76	0503031738	ADHESIVE LABEL		003	003	003
77	0503031739	ADHESIVE LABEL		001	001	001
78	0503034499	HOSE IDENTIFICATION DECAL		001	001	001
79	0503031428	READ MANUAL DECAL		001	001	001

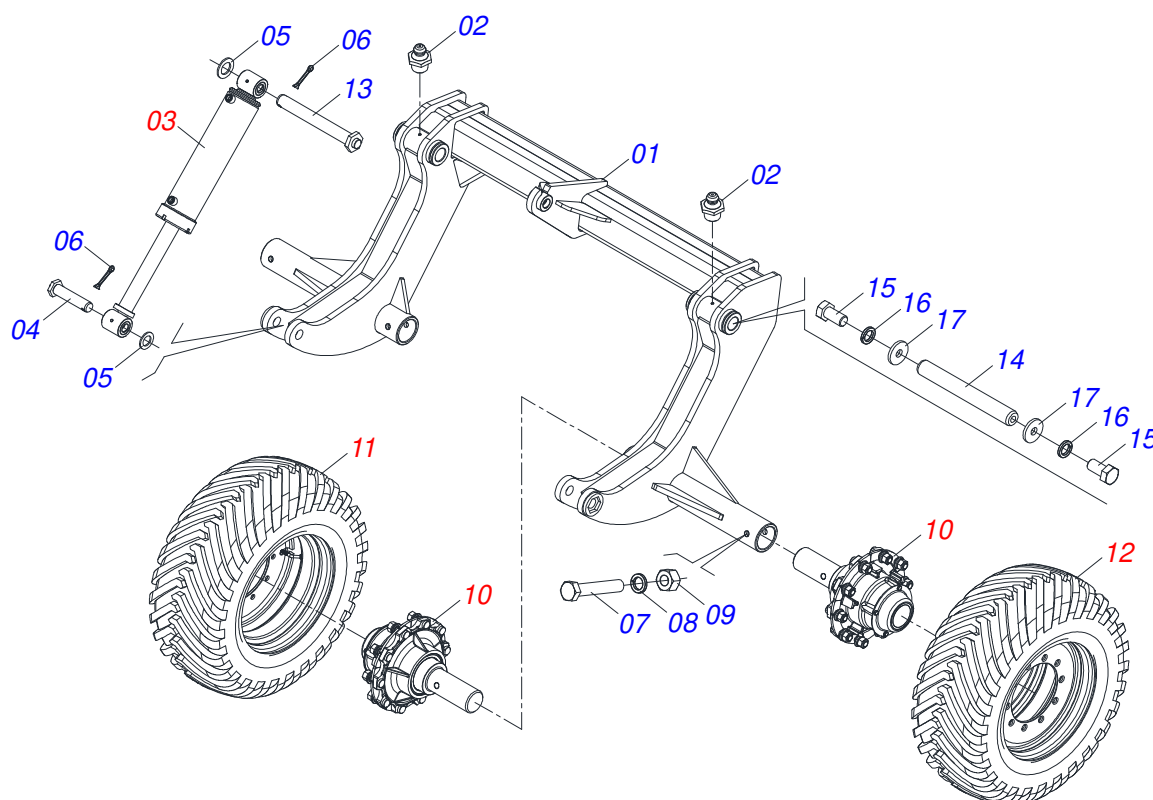


**ASSY FRAME - 32/34/36D**

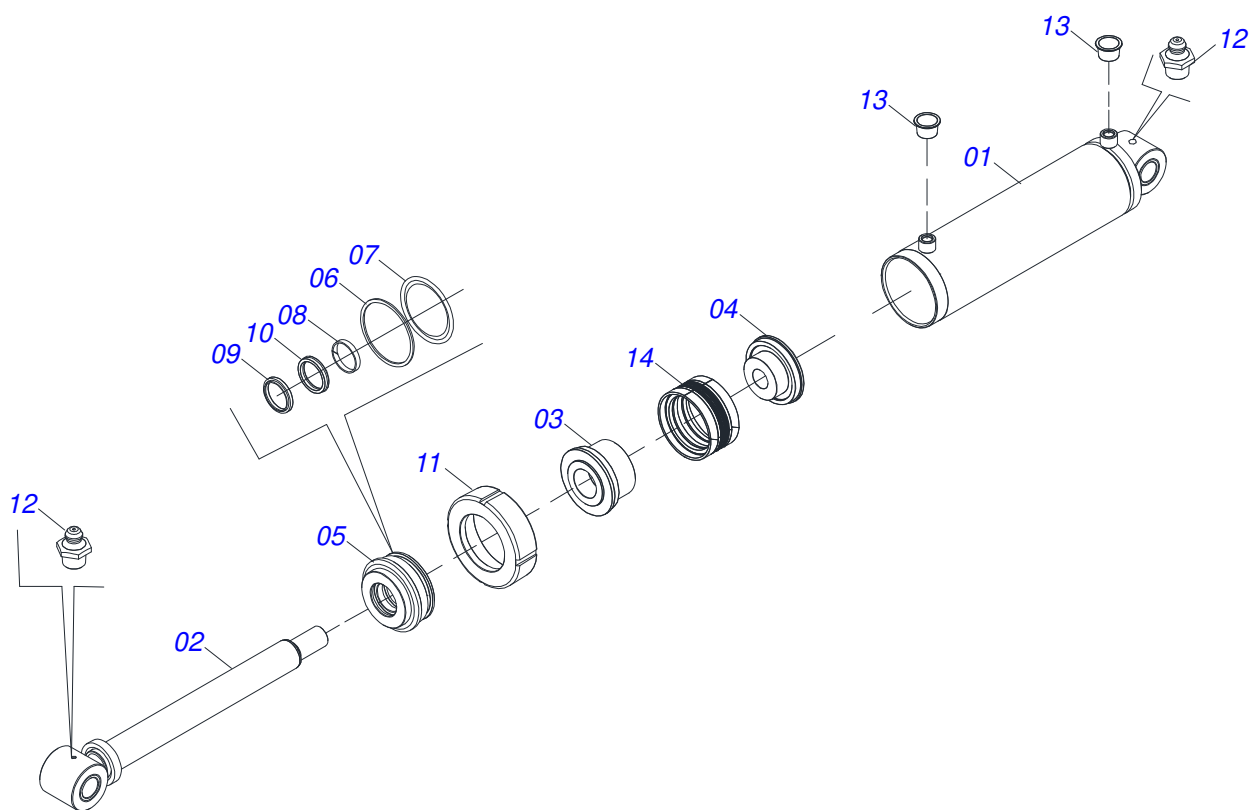
0909096675

Item	Code	Description	See page	032	034	036
80	0503031827	LUBRICATE AND RETIGHTEN DAILY DECAL		001	001	001
81	0503031087	ADHESIVE LABEL		001	001	001
82	0503033038	DANGER SIGN		001	001	001
83	0503034976	ADHESIVE LABEL		002	002	002
84	0503033428	ADHESIVE LABEL		001	001	001
85	0503034003	SERIAL NUMBER TAG 61 X 118		001	001	001
86	0503010001	3.2 X 5.5 RIVET		004	004	004
87	0909096665	ASSY DISCS SECTION - 32/34/36D	26	001	001	001

**WHEEL SET**

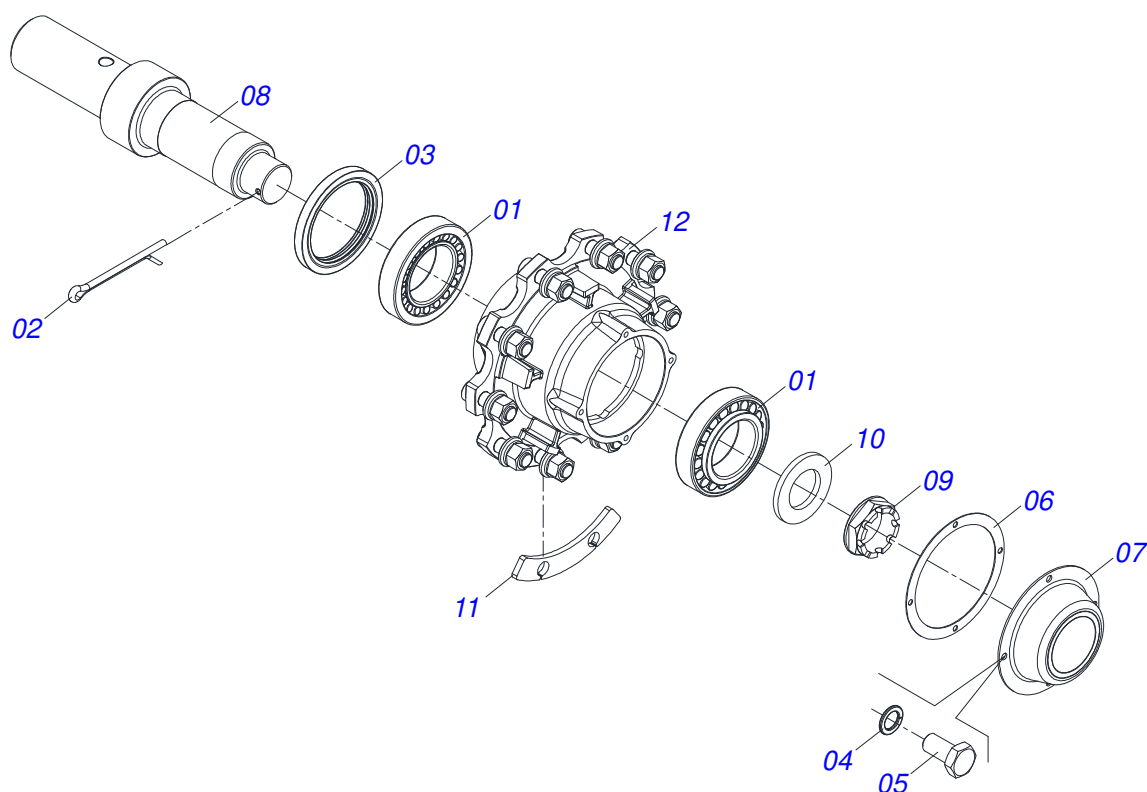


Item	Code	Description	See page	QT
01	0531060840	WHEEL		01
02	0503010002	1800 GREASE FITTING		02
03	0521058003	2" X 5" X 25" X 13" HIDRAULIC CYLINDER	3	02
04	0531060841	CYLINDER AXLE		02
05	0501012916	FLAT WASHER 40 X 66 X 4,75 ZN		04
06	0503010534	3/8 X 2-1/2 COTTERPIN		04
07	0503011198	C3/4" X 6" SCREW		04
08	0503010023	3/4" SPRING WASHER		04
09	0503010014	3/4" HEX NUT		04
10	0531051144	WHEEL WITHOUT TIRE	4	04
11	0503063281	RIGHT WHEEL	7	02
12	0503063282	LEFT WHEEL	8	02
13	0531060842	CYLINDER AXLE		02
14	0531018062	COUPLING SHAFT		02
15	0503011250	1" X 2" BOLT		04
16	0503010012	1" SPRING WASHER		04
17	0521011565	FLAT WASHER		04

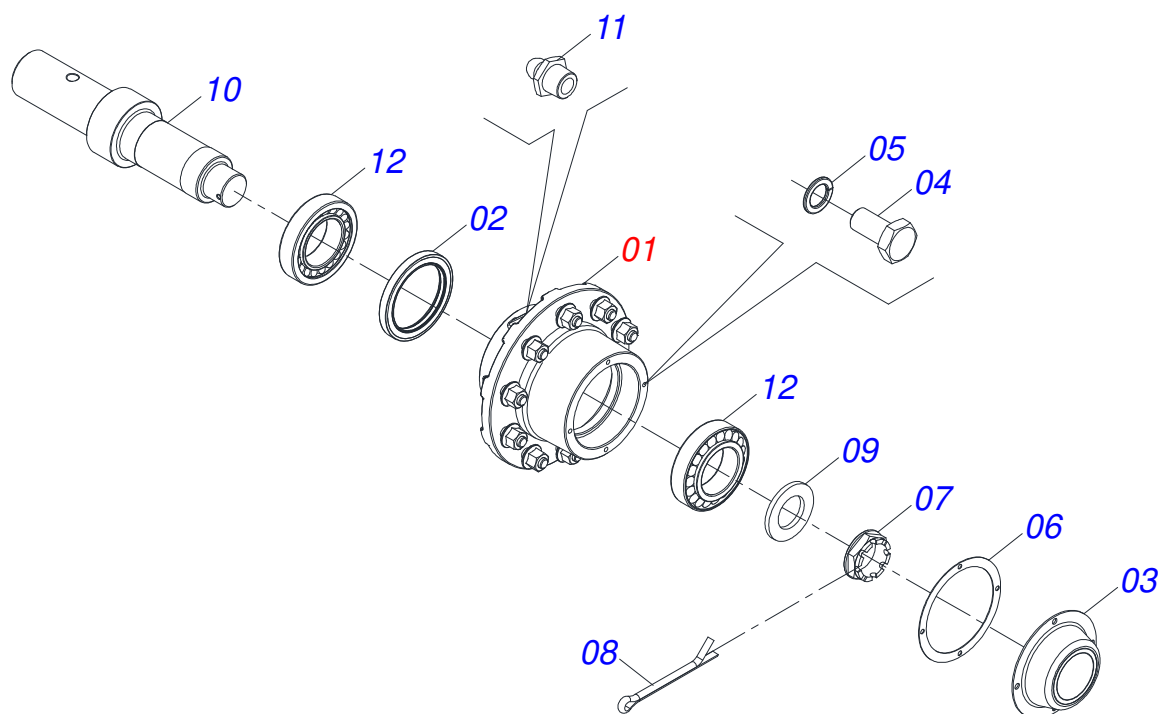


Item	Code	Description	See page	QT
01	0531060846	CYLINDER CASE		01
02	0531060845	TURNBUCKLE		01
03	0561016583	PISTON BODY		01
04	0502012645	PISTON BODY		01
05	0502012646	RING SUPPORT		01
06	0503011062	8-425 BACK-UP RING		01
07	0503010351	2-425 N 3006-9B O'RING		01
08	0503015641	WEAR RING		01
09	0503015642	U-CUP SEALING		01
10	0503015715	SCRAPER SEALING		01
11	0502010382	5" END CAP		01
12	0503010002	1800 GREASE FITTING		02
13	0503030384	CON PLUG N-001		02
14	0503015643	SEAL		01

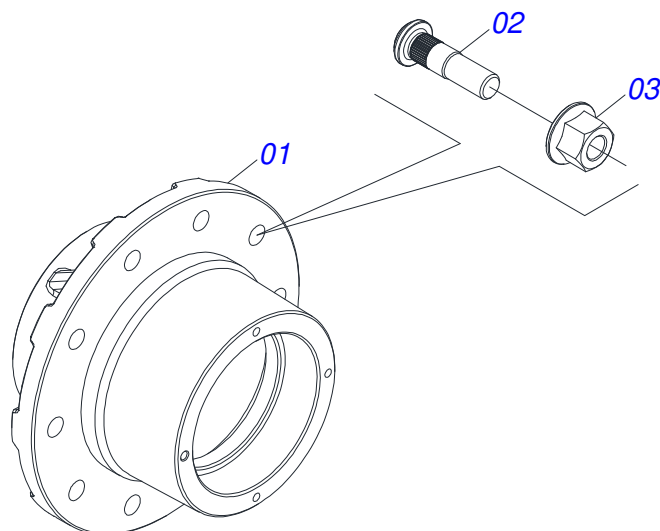




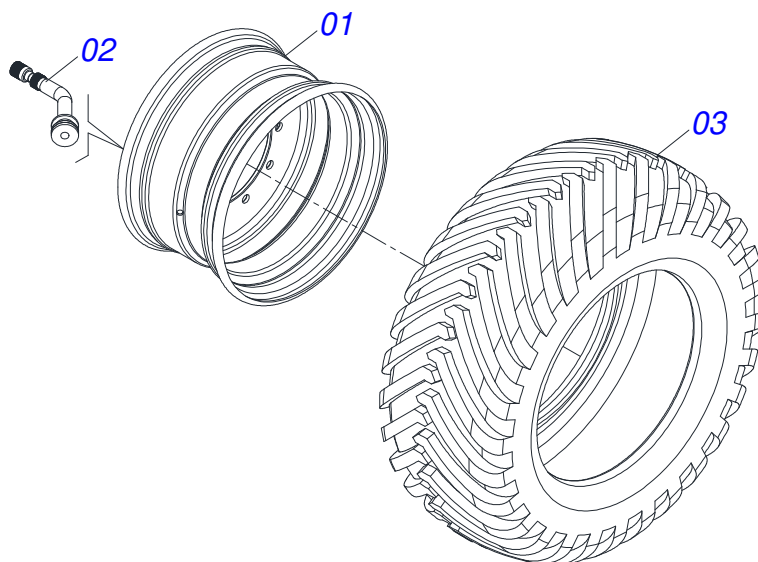
Item	Code	Description	See page	QT
01	0503010118	32218 BEARING		02
02	0503012213	1/4" COTTERPIN		01
03	0503013541	RETAINER		01
04	0503013542	M10 SPRING WASHER		04
05	0503013546	BOLT SX MA5,8 M10X1,5X20ZA DI		04
06	0503013548	JOINT CORK		01
07	0503013549	HUB COVER		01
08	0591018279	AXLE TIP R 2. 1/2 UN (FURO 50)		01
09	0502040080	FLANGE NUT R.2.1/2 UN		01
10	0531019986	64 X 110 X 9.5 FLAT WASHER		01
11	0561015521	FLANGE		05
12	0501110761	HUB AND BOLT		01



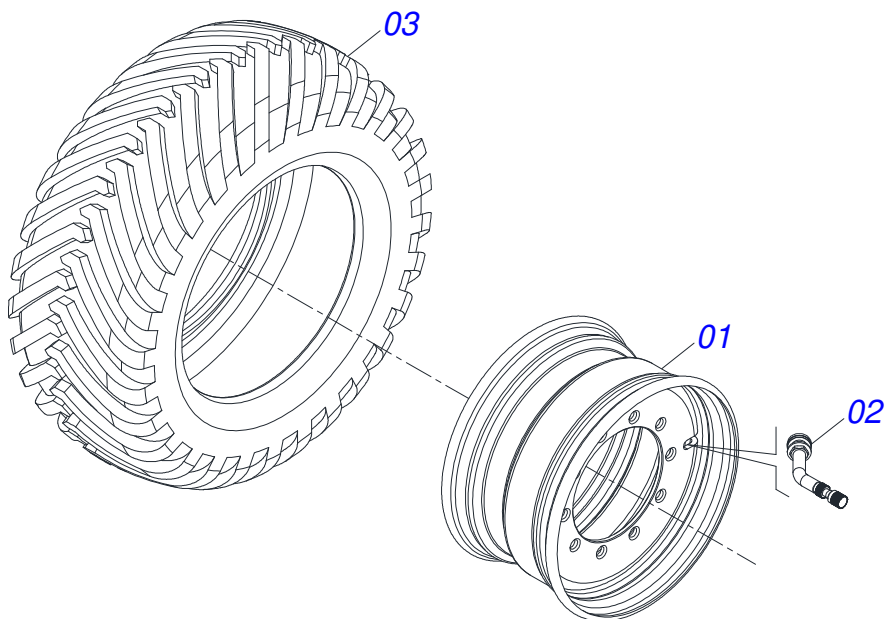
Item	Code	Description	See page	QT
01	0501111042	WHEEL CASE WITH SCREW	6	01
02	0503013541	RETAINER		01
03	0503013549	HUB COVER		01
04	0503013546	BOLT SX MA5,8 M10X1,5X20ZA DI		04
05	0503013542	M10 SPRING WASHER		04
06	0503013548	JOINT CORK		01
07	0502040080	FLANGE NUT R.2.1/2 UN		01
08	0503012213	1/4" COTTERPIN		01
09	0531019986	64 X 110 X 9.5 FLAT WASHER		01
10	0551011426	POINT AXIS R2.1/2UN		01
11	0503010002	1800 GREASE FITTING		01
12	0503013243	32218 ROLLER BEARING		02



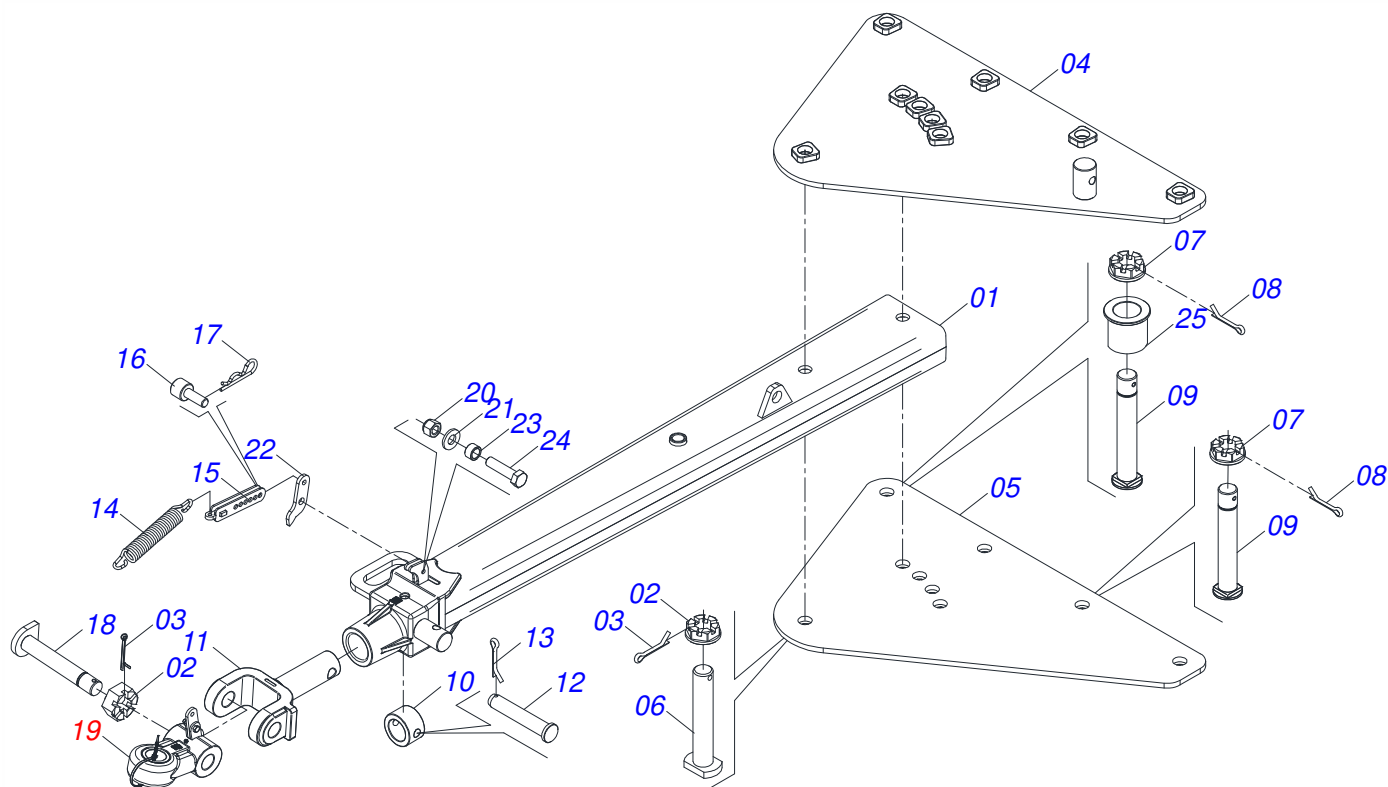
Item	Code	Description	See page	QT
01	0502012972	HUB		01
02	0503035269	CRA RDA UNF3/4 X 2.7/8 X 3.7/32 DIR R G8 BOLT		10
03	0503019871	HEXAGONAL NUT 3/4 UNF 16FPP FLANGEADA G8 SA		10



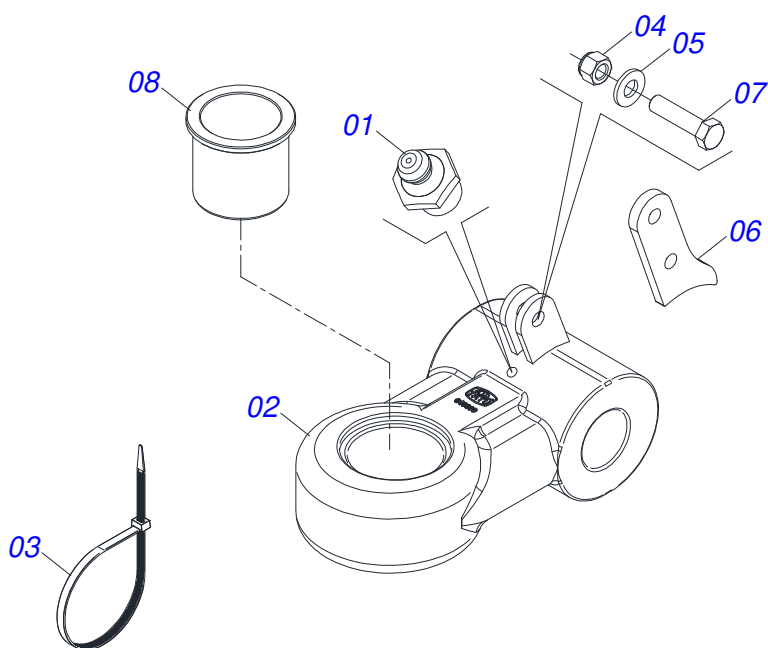
Item	Code	Description	See page	QT
01	0503033536	RING		01
02	0503016098	VALVE		01
03	0503019969	TIRE 400/55-22,5 152A 8/149B		01



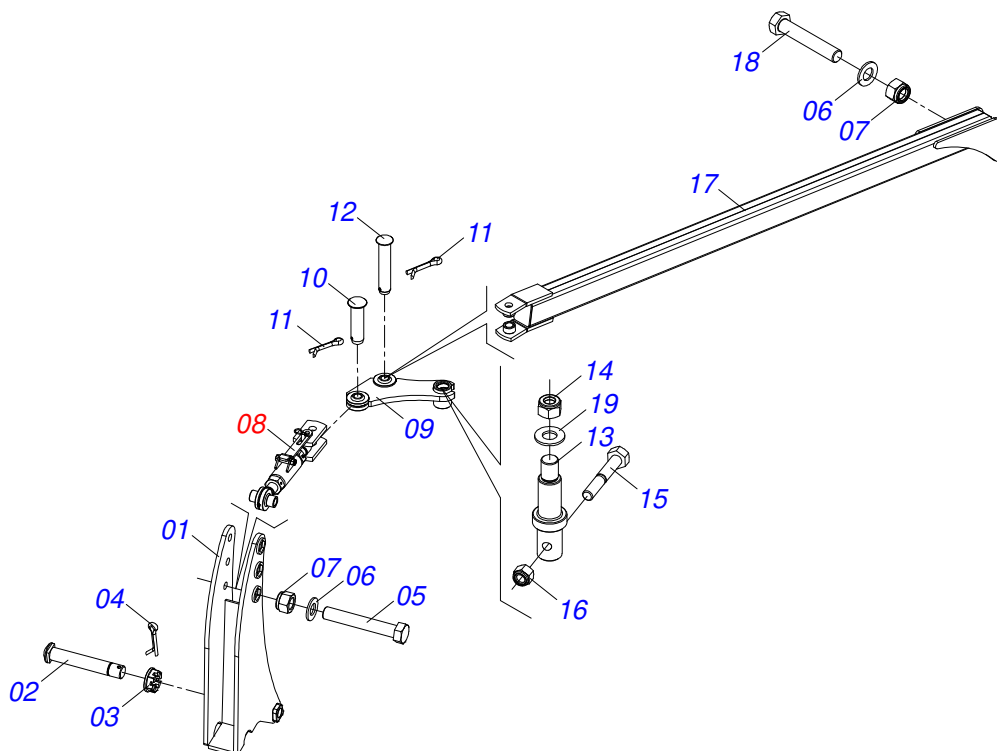
Item	Code	Description	See page	QT
01	0503033536	RING		01
02	0503016098	VALVE		01
03	0503019969	TIRE 400/55-22,5 152A 8/149B		01



Item	Code	Description	See page	QT
01	0521068249	TRACTION BAR (AXLE 2)		01
02	0502040558	2" CASTLE NUT		02
03	0503010074	3/8 X 0,15" COTTERPIN		02
04	0521068246	UPPER PLATE (AXLE 2)		01
05	0521068247	LOWER PLATE (AXLE 2)		01
06	0521068248	JUNCTION AXLE WITH LOCK		01
07	0501811301	CASTLE NUT		05
08	0503010010	1/4" X 2.1/2" COTTERPIN		05
09	0521811880	37,50 X 230 X PQ R.1./2 JUNCTION AXLE		05
10	0502040263	ANEL TRAVA ENGATE		01
11	1902040897	TRACTOR HITCH		01
12	0561017306	COUPLING SHAFT		01
13	0503010523	1/4" X 2" COTTERPIN		01
14	0503031741	1.8" X 11.4" 0.3" TRACTION SPRING		01
15	0531061607	SPRING REGULATOR		01
16	0591014558	SPRING REGULATOR FIXER AXLE		01
17	0503030285	HITCH PIN CLIP		01
18	0531061122	AXIS ARTICULATOR		01
19	0531040171	ASSY HITCH	10	01
20	0503010589	1/2" UNC SELF ADJUSTING NUT		01
21	0501010937	13,50 X 28 X 3,00 FLAT WASHER		01
22	0591014554	REAR EAR FIXING SPRING		01
23	0591014552	SLEEVE		01
24	0503010740	BOLT 1/2 UNC X 2 CS G.5 ZN		01
25	0591013086	SLEEVE		01

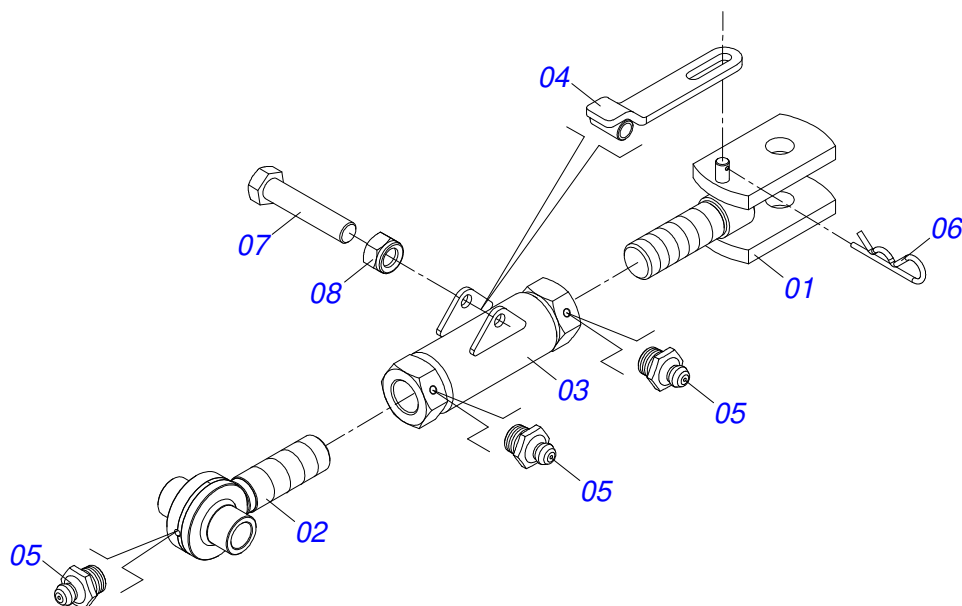


Item	Code	Description	See page	QT
01	0503010002	1800 GREASE FITTING		01
02	0531061121	HITCH		01
03	0503018829	NYLON CLAMP		01
04	0503010589	1/2" UNC SELF ADJUSTING NUT		01
05	0501010937	13,50 X 28 X 3,00 FLAT WASHER		01
06	0591014555	FRONT EAR FIXING SPRING		01
07	0503010740	BOLT 1/2 UNC X 2 CS G.5 ZN		01
08	0591013448	SLEEVE		01

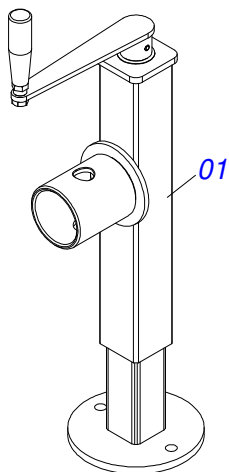


Item	Code	Description	See page	QT
01	0521066758	DRAWBAR ARTICULATOR		01
02	0521012053	1.5" X 8.6" AXLE		01
03	0501011301	1.1/2 UNC 6FPP 2.5/16 NUT		01
04	0503010010	1/4" X 2.1/2" COTTERPIN		01
05	0521017351	1-1/4" X 8" BOLT		01
06	0501017779	32 X 60 X 4.75 FLAT WASHER		02
07	0503010817	1.1/4" SELF LOCKING NUT		02
08	0511059199	STABILIZER BAR REGULATOR EXTENSOR	12	01
09	0521066960	STABILIZER BAR ARTICULATOR		01
10	0521010780	1.2" X 4.5" COUPLING SHAFT		01
11	0503010523	1/4" X 2" COTTERPIN		02
12	0581011919	31,75 X 170 ZN COUPLING SHAFT		01
13	0581011775	STABILIZER BAR ARTICULATING PIVOT AXLE		01
14	0503010290	SELF ADJUSTING 1.1/2" UNF NUT		01
15	0501010216	3/4 UNC X 4.1/2 C S G.5 ZN BOLT		01
16	0503011075	3/4" UNC NUT		01
17	0521066759	STABILIZER BAR		01
18	0503013321	SCREW 1.1/4 UNF X 7 C S G.8 ZN		01
19	0501010287	FLAT WASHER		01

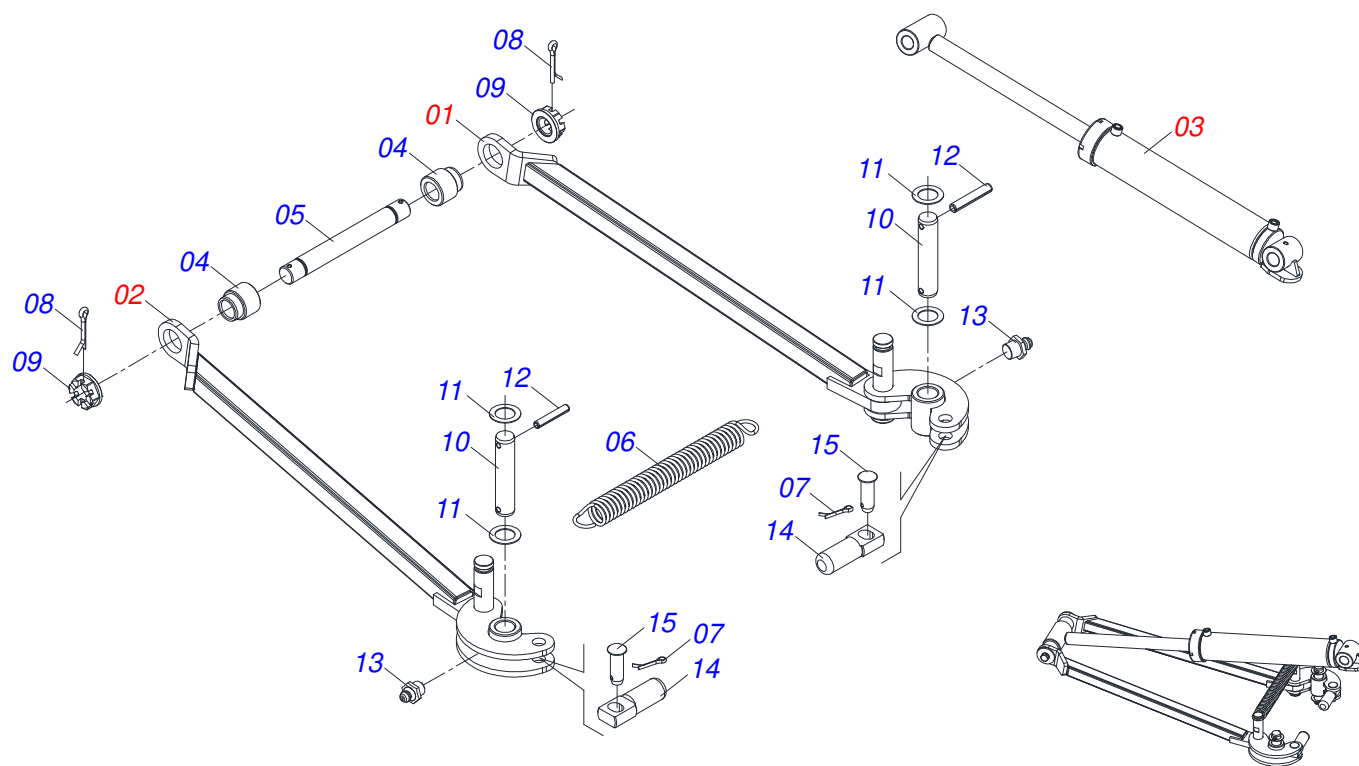




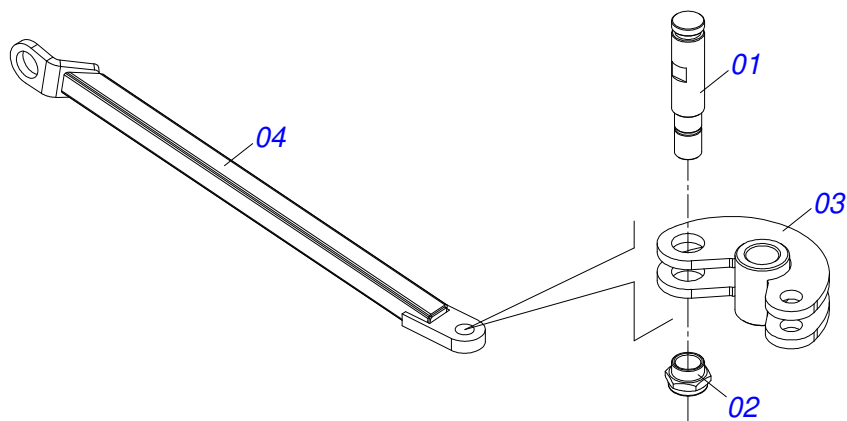
Item	Code	Description	See page	QT
01	0521066962	JACK CRANK C/O. R.1.3/4 ESQUERDO		01
02	0521066965	JACK CRANK NUT FIXER R.1.3/4 UNC DIREITO		01
03	0521066963	ADJUSTMENT NUT R.1.3/4 UNC (245)		01
04	0521066964	STABILIZER TENSOR REGULATOR LEVER		01
05	0503010002	1800 GREASE FITTING		03
06	0503030285	HITCH PIN CLIP		01
07	0503010806	5/8" X 3" BOLT		01
08	0503010878	5/8" SELF ALIGNING NUT		01



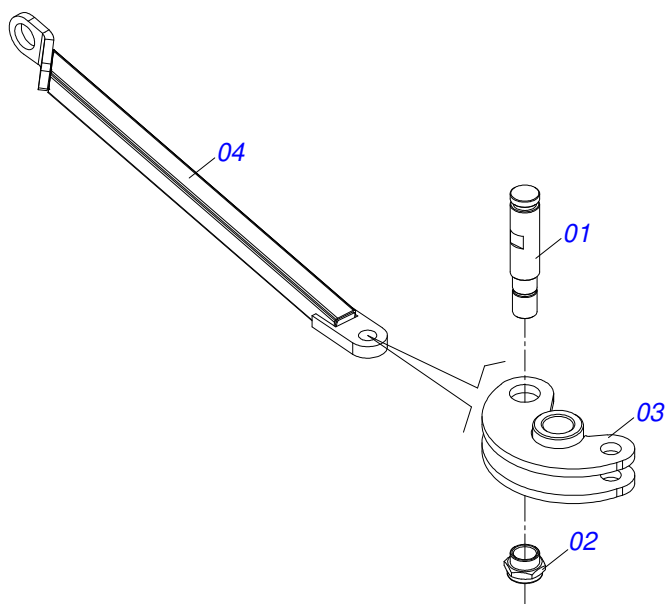
Item	Code	Description	See page	QT
01	0503062227	DRAWBAR JACK		01



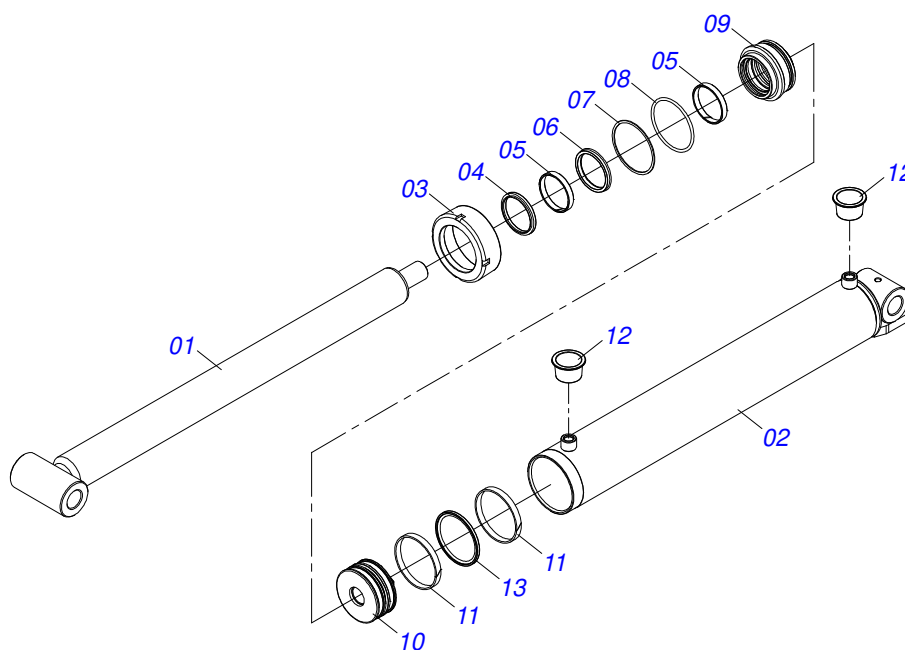
Item	Code	Description	See page	QT
01	0511050181	LH FRONT/RH REAR ARTICULACION	15	04
02	0511050182	RH FRONT/LH REAR ARTICULACION	16	04
03	0511059197	3" X 4" X 42" X 28" HYDRAULIC CYLINDER	17	04
04	0541016614	38,20 X 62 X 61 SLEEVE		08
05	0501210091	ARTICULATOR PIVOT AXIS		04
06	0503032537	50,7 X 325 X 6,35 TRACTION SPRING		04
07	0503010571	1/4" X 1.1/2 COTTERPIN		08
08	0503010010	1/4" X 2.1/2" COTTERPIN		08
09	0501011301	1.1/2 UNC 6FPP 2.5/16 NUT		08
10	0541016677	37,20 X 177 COUPLING SHAFT		08
11	0511019685	FLAT WASHER		16
12	0503010361	SPRING PIN		16
13	0503010002	1800 GREASE FITTING		08
14	0561013283	LOCK AXLE FRAME		08
15	0521010572	0.9" X 2.9" COUPLING SHAFT		08



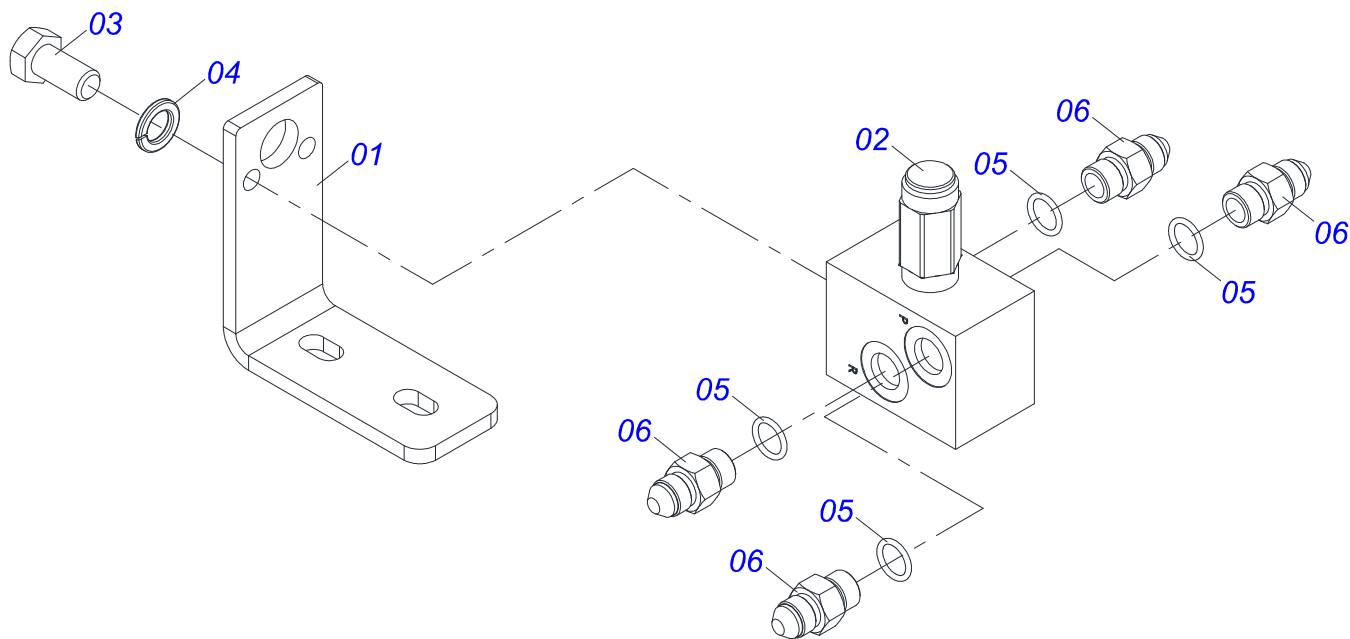
Item	Code	Description	See page	QT
01	0561014074	LOCK AXLE		01
02	0541019258	1.1/4 ADJUSTING NUT		01
03	0521060779	LOCK PIN		01
04	0521060770	FRONT ARTICULACION ARM		01



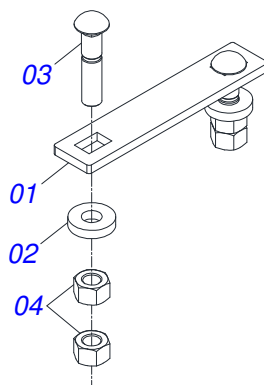
Item	Code	Description	See page	QT
01	0561014074	LOCK AXLE		01
02	0541019258	1.1/4 ADJUSTING NUT		01
03	0521060779	LOCK PIN		01
04	0521060771	ARTICULATION ARM ASSY		01



Item	Code	Description	See page	QT
01	0521060777	76,20 X 1020,50 TURNBUCKLE		01
02	0521067412	SHIRT 114.30 X 897.50 WITH BEATER		01
03	0502012629	MOBILE COVER 114,30 (E. 76,20)		01
04	0503012642	D-3000 SCRAPER RING		01
05	0503013553	SEAL RING		02
06	0503013552	GASKET		01
07	0503011893	BACK-UP RING, 8-346		01
08	0503011892	O' RING, 2-346 N 3006-9B		01
09	0502012628	76,30 X 114,20 RING SUPPORT		01
10	0502012477	114,30 PISTON		01
11	0503011891	W2-4500-500 RING G.E		02
12	0503030384	CON PLUG N-001		02
13	0503014692	OE 114,3 GASKET		01

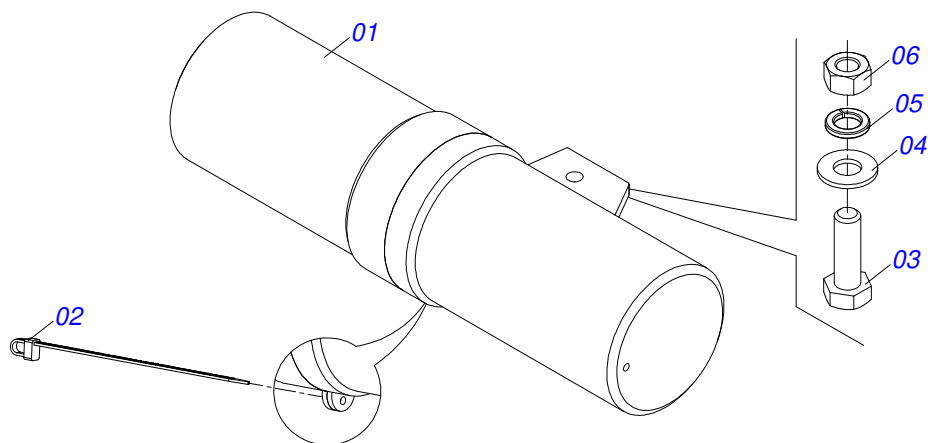


Item	Code	Description	See page	QT
01	0581011745	VALVE SUPPORT		01
02	0503010919	DISCHARGE VALVE		01
03	0503011334	BOLT 3/8 UNC X 3/4 CS G.5 ZN		02
04	0503010025	3/8 SPRING WASHER		02
05	0503010190	2-114 N 3006-9B O'RING		04
06	0501010617	3/4" NIPPLE		04

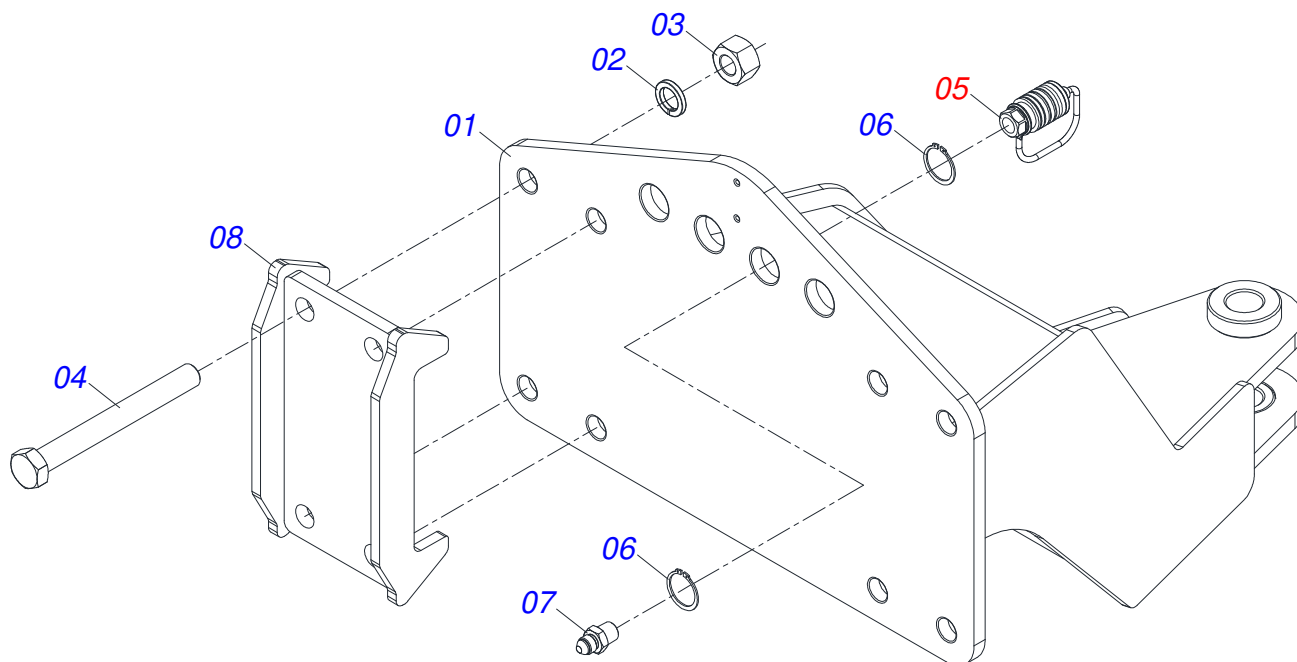


Item	Code	Description	See page	QT
01	0591013569	SQUARE WASHER		01
02	0571010448	32,50 X 75 X 16 SLEEVE		02
03	0501010954	1.1/4" X 5.3/4" BOLT		02
04	0501010087	1.1/4" NUT		04

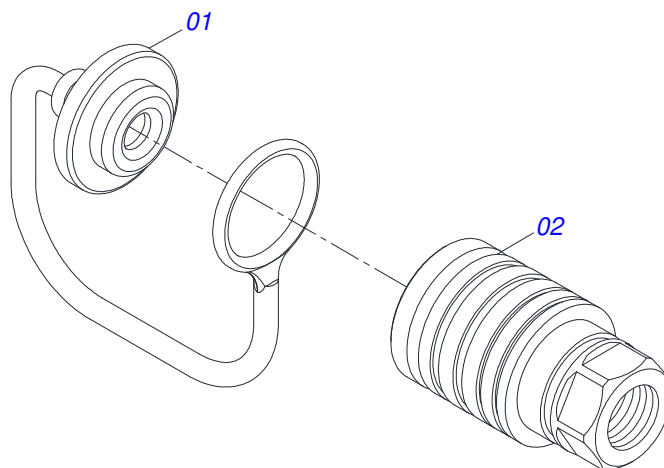




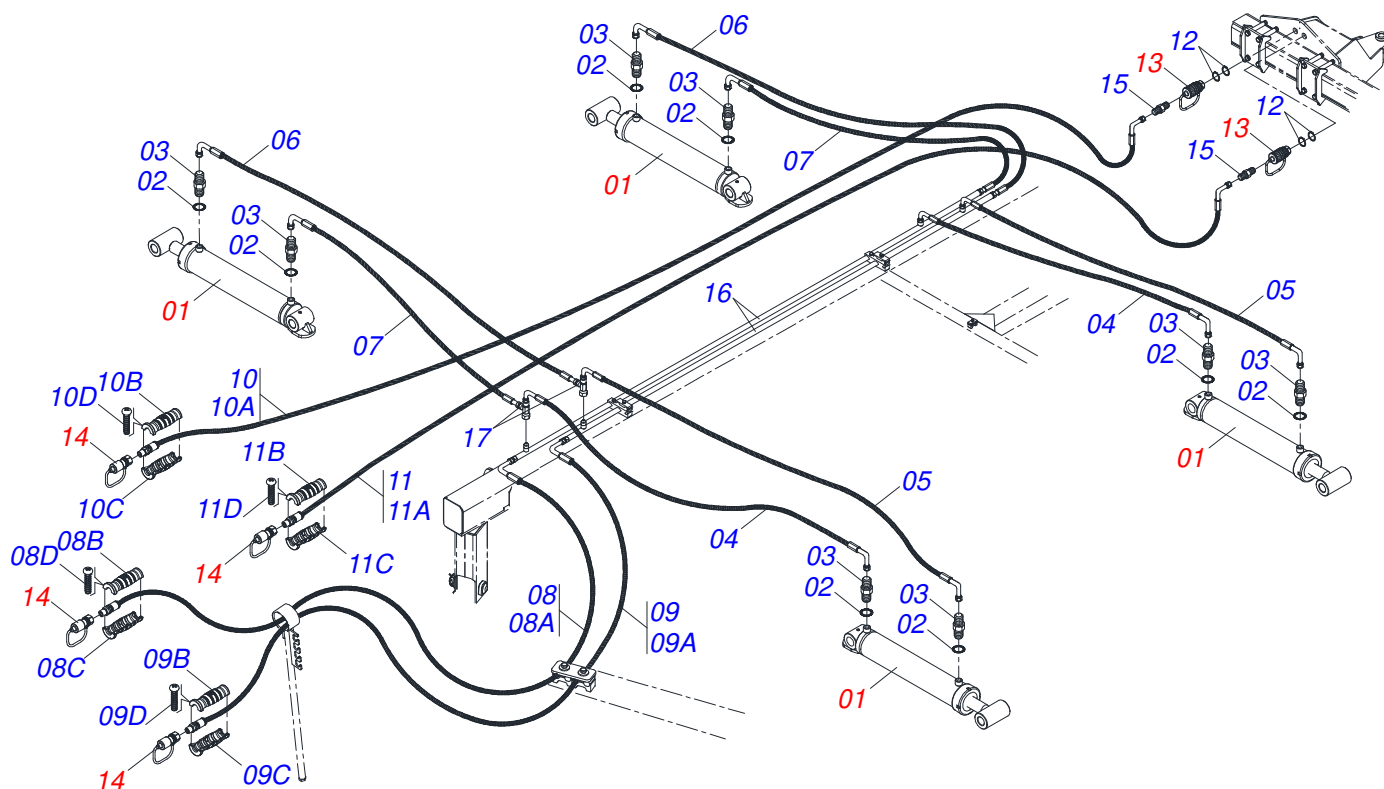
Item	Code	Description	See page	QT
01	0503060100	INSTRUCTIONS MANUAL CANISTER		01
02	0503010267	NYLON CLAMP		01
03	0503010363	BOLT 5/16 UNC X 1 C S G.2 ZN		01
04	0501010694	FLAT WASHER		01
05	0503010179	LOCK WASHER 5/16 ZN 1K01528		01
06	0503010337	5/16" NUT		01



Item	Code	Description	See page	QT
01	0531060844	260 REAR HITCH		01
02	0503010012	1" SPRING WASHER		08
03	0501010059	1.5/8 NUT		08
04	0501010064	1" X 9" BOLT		08
05	0501053835	FEMALE QUICK COUPLER	22	02
06	0503010217	501040 CLAMPING RING (FOR AXLE)		04
07	0571015342	3/4" NIPLE		02
08	0531060843	FIXER CLAW		02



Item	Code	Description	See page	QT
01	0503011883	QUICK CONNECTION COVER		01
02	0503011628	FEMALE QUICK COUPLER		01



Item	Code	Description	See page	QT
01	0511059197	3" X 4" X 42" X 28" HYDRAULIC CYLINDER	17	04
02	0503010190	2-114 N 3006-9B O'RING		08
03	0501010617	3/4" NIPPLE		08
04	0501080578	3/8" X 157" TC-TC HOSE		02
05	0501080909	3/8" X 181" TC-TC HOSE		02
06	0501080401	3/8" X 106" TR-TC HOSE		02
07	0501080450	3/8" X 86" TR-TC HOSE		02
08	0521052945	3/8" X 240" TC-TM BROWN/RED HOSE		01
08A	0501080850	3/8" X 240" TC-TM HOSE		01
08B	0503034490	HYDRAULIC HOSE GRIP (BROWN)		01
08C	0503034495	HYDRAULIC HOSE GRIP (RED)		01
08D	0503018952	PLASTIC BOLT		06
09	0521052944	3/8" X 240" TC-TM BROWN/BLUE HOSE		01
09A	0501080850	3/8" X 240" TC-TM HOSE		01
09B	0503034490	HYDRAULIC HOSE GRIP (BROWN)		01
09C	0503034494	HYDRAULIC HOSE GRIP (BLUE)		01
09D	0503018952	PLASTIC BOLT		06
10	0521052430	3/8" X 472" TC-TM GRAY/RED HOSE		01
10A	0501082031	3/8" X 472" TC-TM HOSE		01
10B	0503034489	HYDRAULIC HOSE GAUNTLET (GRAY)		01
10C	0503034495	HYDRAULIC HOSE GRIP (RED)		01
10D	0503018952	PLASTIC BOLT		06
11	0521052457	3/8" X 472" TC-TM GRAY/BLUE HOSE		01
11A	0501082031	3/8" X 472" TC-TM HOSE		01
11B	0503034489	HYDRAULIC HOSE GAUNTLET (GRAY)		01
11C	0503034494	HYDRAULIC HOSE GRIP (BLUE)		01
11D	0503018952	PLASTIC BOLT		06
12	0503010217	501040 CLAMPING RING (FOR AXLE)		04
13	0501053835	FEMALE QUICK COUPLER	22	02
14	0501053834	MALE QUICK COUPLER	25	04
15	0571015342	3/4" NIPPLE		02

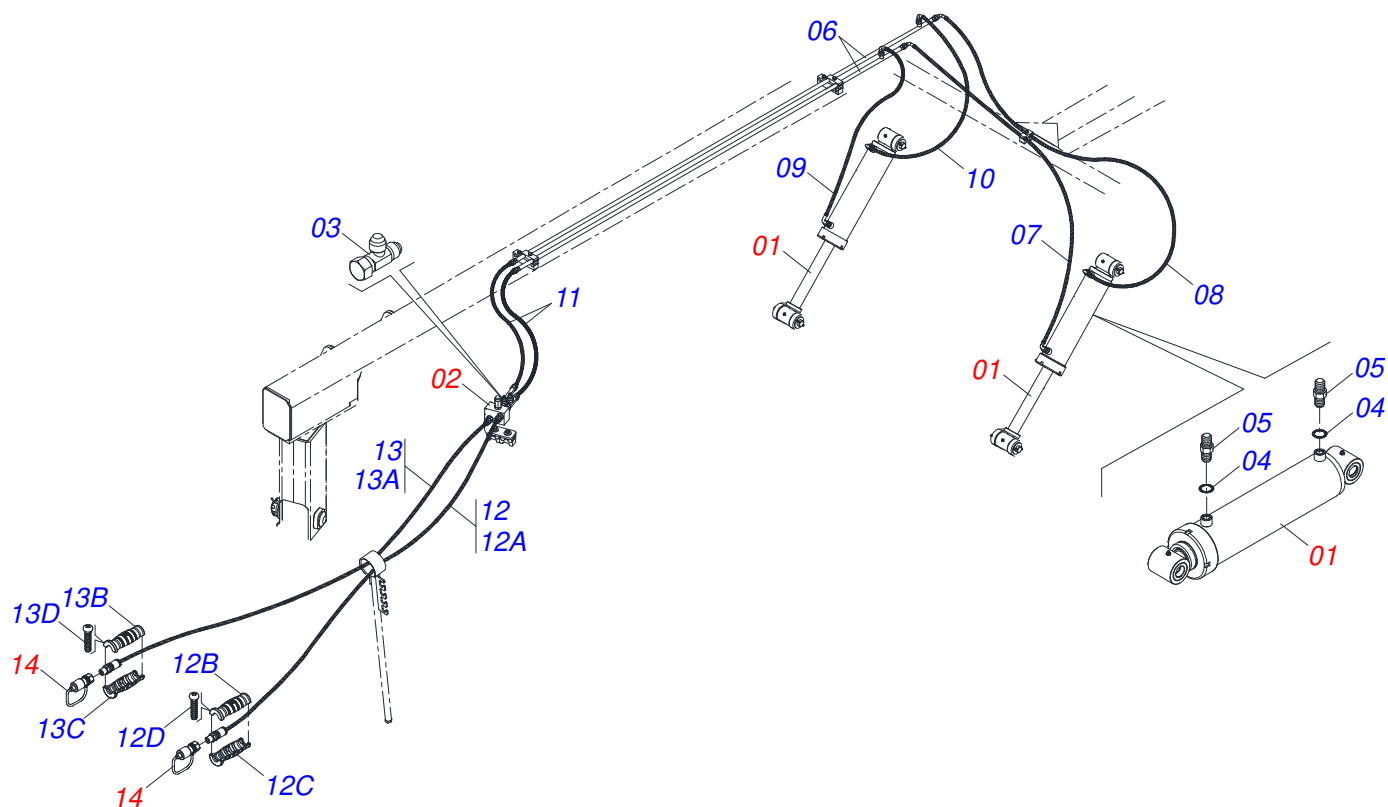


**GASPCR-HD 9017 - 2.1/2" AXLE - MECHANICAL ARTICULATED  
FRAMES ARTICULATION HYDRAULIC CIRCUIT**

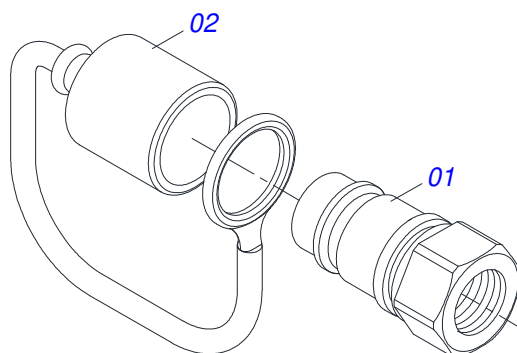
Page 23

0909096663

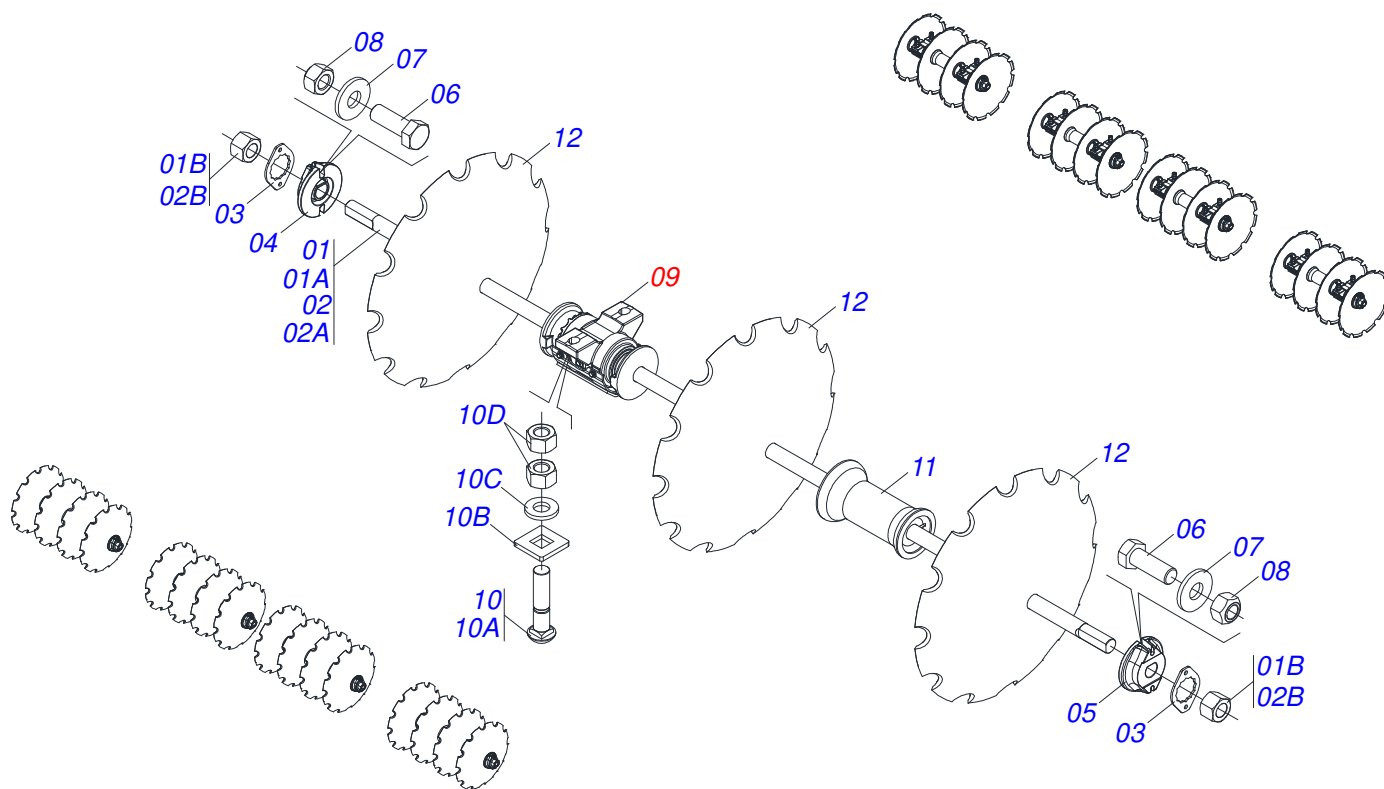
<b>Item</b>	<b>Code</b>	<b>Description</b>	<b>See page</b>	<b>QT</b>
16	0521066126	DISTRIBUTOR OIL TUBE		02
17	0503011968	3/4" 8R6X-S T ADAPTER WITH SWIVEL NUT		02



Item	Code	Description	See page	QT
01	0521058003	2" X 5" X 25" X 13" HIDRAULIC CYLINDER	3	02
02	0511059196	ASSY VALVE	18	01
03	0503011968	3/4" 8R6X-S T ADAPTER WITH SWIVEL NUT		02
04	0503010190	2-114 N 3006-9B O'RING		04
05	0501010617	3/4" NIPPLE		04
06	0521066937	OIL DISTRIBUTOR DUCT		02
07	0501080432	3/8" X 102" TC-TC HOSE		01
08	0501080393	3/8" X 86" TC-TC HOSE		01
09	0501080065	3/8" X 47" TC-TC HOSE		01
10	0501080931	3/8" X 39" TC-TC HOSE		01
11	0501080106	3/8" X 31" TR-TR HOSE		02
12	0531055152	3/8" X 236" TR-TM BLACK/BLUE HOSE		01
12A	0501082444	3/8" X 236" TR-TM HOSE		01
12B	0503034492	HYDRAULIC HOSE GRIP (BLACK)		01
12C	0503034494	HYDRAULIC HOSE GRIP (BLUE)		01
12D	0503018952	PLASTIC BOLT		06
13	0531055151	3/8" X 236" TR-TM BLACK/RED HOSE		01
13A	0501082444	3/8" X 236" TR-TM HOSE		01
13B	0503034492	HYDRAULIC HOSE GRIP (BLACK)		01
13C	0503034495	HYDRAULIC HOSE GRIP (RED)		01
13D	0503018952	PLASTIC BOLT		06
14	0501053834	MALE QUICK COUPLER	25	02

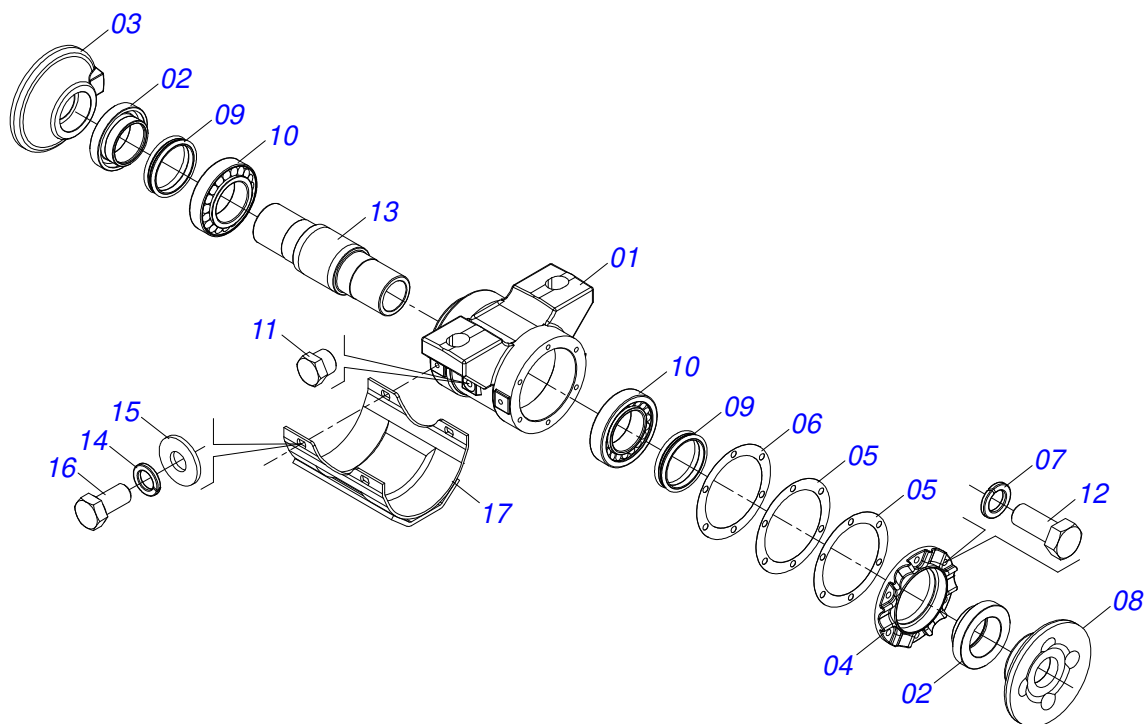


Item	Code	Description	See page	QT
01	0503011627	MALE QUICK COUPLER AGR 1/2 NPT		01
02	0503011882	MALE QUICK COUPLER CAP		01



Item	Code	Description	See page	32	34	36
01	0501040693	2.1/2" X 63" AXLE WITH NUTS		08	06	04
01A	0501010358	2.1/2" X 63" AXLE		08	06	04
01B	0502040064	2.1/2" SNC X 70 99 NUT		16	12	08
02	0501040690	2.1/2" X 80" AXLE WITH NUTS		00	02	04
02A	0501010357	2.1/2" X 81" AXLE		00	02	04
02B	0502040064	2.1/2" SNC X 70 99 NUT		00	04	08
03	0541010368	NUT LOCK		16	16	16
04	0502010592	2.1/2" INNER AXLE WASHER		08	08	08
05	0502010593	2.1/2" EXTERNAL AXLE WASHER		08	08	08
06	0503010232	5/8" X 1.3/4" BOLT		32	32	32
07	0501012140	FLAT WASHER		32	32	32
08	0503012412	5/8" UNC SELF LOCKING NUT		32	32	32
09	0521041291	OIL 16" X 2.1/2" BEARING ASSY	27	16	16	16
10	0501041301	1.1/4" X 5.3/4" ASSY BOLT		32	32	32
10A	0501010954	1.1/4" X 5.3/4" BOLT		32	32	32
10B	0501010953	1-1/4" SQUARE WASHER		32	32	32
10C	0531010713	FLAT WASHER		32	32	32
10D	0501010087	1.1/4" NUT		64	64	64
11	0502012220	2.1/2" X 17" SPACER		08	10	12
12	0602048062	DR 36 X 12 C130AF04FR2.9/16 12R TAT/CV		32	34	36
12.	0602051003	DR 40 X 12 C143AF04FR2.9/16 12R TAT/CV		32	34	36





Item	Code	Description	See page	QT
01	0502012415	HOUSING BEARING		01
02	0502040119	SEAL RETAINER		02
03	0502040165	INNER FLANGE		01
04	0502010644	HOUSING CAP DM		01
05	0503030537	8.3" X 6.3" X 0.01" JOINT		02
06	0503030687	8.3" X 6.3" X 0.004" JOINT		01
07	0503011440	SPRING WASHER		06
08	0502040164	OUTER FLANGE		01
09	0503030029	RETAINER LP JB-259		02
10	0503013243	32218 ROLLER BEARING		02
11	0503010856	OIL PLUG		02
12	0503010920	1/2 UNC X 1.1/2 C S G.5 ZN BOLT		06
13	0502040039	AXLE		01
14	0511017302	FLAT WASHER 13,50 X 32,50 X 3,0 ZN		04
15	0503010019	1/2" SPRING WASHER		04
16	0503010834	1/2 X 1 BOLT		04
17	0521062889	PROTECTION CAP		01
18	3402301247	MINERAL OIL GREASE		01





**MARCHESAN**

**Technical Publications | Elaboration and Revision**

LEONARDO JOSÉ DA SILVA SOUZA

[www.marchesan.com.br](http://www.marchesan.com.br)

