

OFFSET DISK HARROW

**GASPCR-HD 9017 - 2.1/2" AXLE - HYDRAULIC
ARTICULATED - 32/34/36D**

Code: 0501093497
Series: S-1120
Revision: 00
Date Revision: MARÇO/2023

**PARTS
CATALOGUE**



MARCHESAN



PRODUCTS

Code	Description
0102090345	GASPCR HD9017 32X36X12 DR DM HID E2.1/2 ESP S-1120
0102090343	GASPCR HD9017 32X36X12 DR DM HID E2.1/2 ESP S-1120
0102090344	GASPCR HD9017 32X40X12 DR DM HID E2.1/2 ESP S-1120
0102090342	GASPCR HD9017 32X40X12 DR DM HID E2.1/2 ESP S-1120
0102090346	GASPCR HD9017 34X36X12 DR DM HID E2.1/2 ESP S-1120
0102090348	GASPCR HD9017 34X36X12 DR DM HID E2.1/2 ESP S-1120
0102090350	GASPCR HD9017 34X40X12 DR DM HID E2.1/2 ESP S-1120
0102090349	GASPCR HD9017 34X40X12 DR DM HID E2.1/2 ESP S-1120
0102090353	GASPCR HD9017 36X36X12 DR DM HID E2.1/2 ESP S-1120
0102090351	GASPCR HD9017 36X36X12 DR DM HID E2.1/2 ESP S-1120
0102090354	GASPCR HD9017 36X40X12 DR DM HID E2.1/2 ESP S-1120
0102090352	GASPCR HD9017 36X40X12 DR DM HID E2.1/2 ESP S-1120

ATTENTION: IMPORTANT

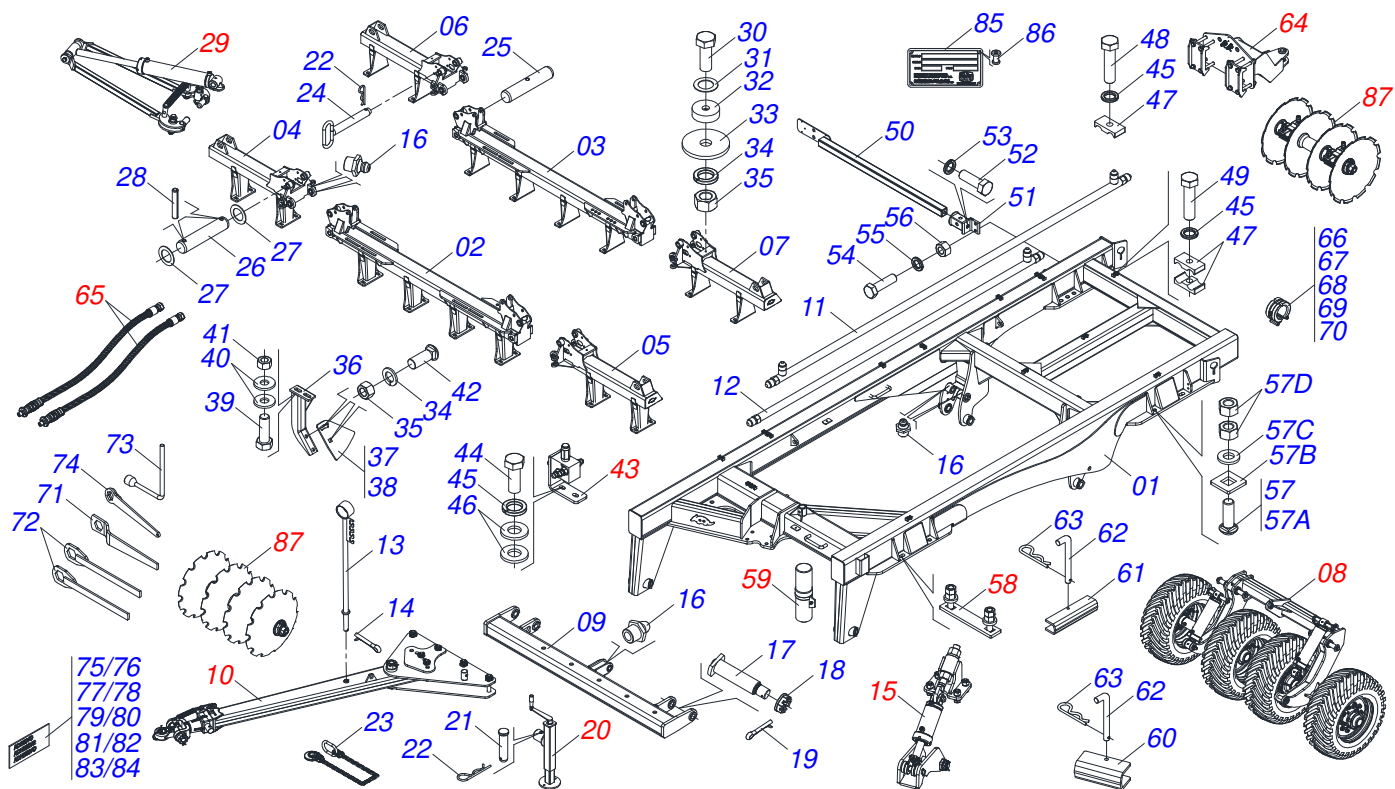
Marchesan S.A. reserves the right to improve and/or modify the technical features of its products, without obligation to do the same with those products already sold and without prior knowledge of the dealer or the customer. The photos are only illustrative.



MARCHESAN

INDEX

0909096658	ASSY FRAME - 32/34/36D	1
0909096659	WHEEL SET	2
0521058003	2" X 5" X 25" X 13" HIDRAULIC CYLINDER	3
0531051144	WHEEL WITHOUT TIRE	4
0503063281	RIGHT WHEEL	5
0503063282	LEFT WHEEL	6
0521041823	ASSY TRACTION BAR (PIN 3)	7
0531040171	ASSY HITCH	8
0909094136	HEAD ARTICULATED ASSY	9
0511058521	2" X 4" X 20" X 6" HYDRAULIC CYLINDER	10
0511048088	DRAWBAR JACK	11
0909096384	ARTICULATOR ASSEMBLY	12
0511050181	LH FRONT/RH REAR ARTICULACION	13
0511050182	RH FRONT/LH REAR ARTICULACION	14
0511059197	3" X 4" X 42" X 28" HYDRAULIC CYLINDER	15
0511059196	ASSY VALVE	16
0531040021	FIXING ASSEMBLY	17
0521052190	MANUAL CANISTER ASSY	18
0531040022	REAR HITCH SET	19
0501053835	FEMALE QUICK COUPLER	20
0909096663	FRAMES ARTICULATION HYDRAULIC CIRCUIT	21
0909096664	WHEEL LIFTING HYDRAULIC CIRCUIT	22
0501053834	MALE QUICK COUPLER	23
0909096665	ASSY DISCS SECTION - 32/34/36D	24
0521041291	OIL 16" X 2.1/2" BEARING ASSY	25



Item	Code	Description	See page	032	034	036
01	0531060847	FRAME		001	001	001
02	0531061777	FRONT FRAME - 32/36D		001	000	001
02.	0531061775	REAR FRAME - 34D		000	001	000
03	0531061776	REAR FRAME -32/36D		001	000	001
03.	0531061774	REAR FRAME - 34D		000	001	000
04	0531061778	RIGHT SIDE FRONT FRAME - 32/34D		001	001	000
04.	0531061784	RIGHT SIDE FRONT FRAME - 36D		000	000	001
05	0531061779	LEFT SIDE FRONT FRAME - 32/34D		001	001	000
05.	0531061785	LEFT SIDE FRONT FRAME - 36D		000	000	001
06	0531061780	RIGHT SIDE REAR FRAME - 32/34D		001	001	000
06.	0531061783	RIGHT SIDE REAR FRAME - 36D		000	000	001
07	0531061781	LEFT SIDE REAR FRAME - 32/34D		001	001	000
07.	0531061782	LEFT SIDE REAR FRAME - 36D		000	000	001
08	0909096659	WHEEL SET	2	001	001	001
09	0521068250	HITCH BAR		001	001	001
10	0521041823	ASSY TRACTION BAR (PIN 3)	7	001	001	001
11	0521066126	DISTRIBUTOR OIL TUBE		002	002	002
12	0521066937	DUCT DISTRIBUTOR OF OIL		002	002	002
13	0531061120	HOSE SUPPORT		001	001	001
14	0503010523	1/4" X 2" COTTERPIN		001	001	001
15	0909094136	HEAD ARTICULATED ASSY	9	001	001	001
16	0503010002	1800 GREASE FITTING		027	027	027
17	0521063989	50,8 X 380 AXLE WITH LOCK		002	002	002
18	0501011301	1.1/2 UNC 6FPP 2.5/16 NUT		002	002	002
19	0503010010	1/4" X 2.1/2" COTTERPIN		002	002	002
20	0511048088	DRAWBAR JACK	11	001	001	001
21	0561014251	COUPLING SHAFT		001	001	001
22	0503030012	HITCH PIN CLIP		005	005	005
23	0503019848	SAFETY CHAIN		001	001	001
24	0521068256	AXIS BLOCAGE 25,40 X 285		004	004	004
25	0541016676	1.1/2 X 175 AXLE		004	004	004



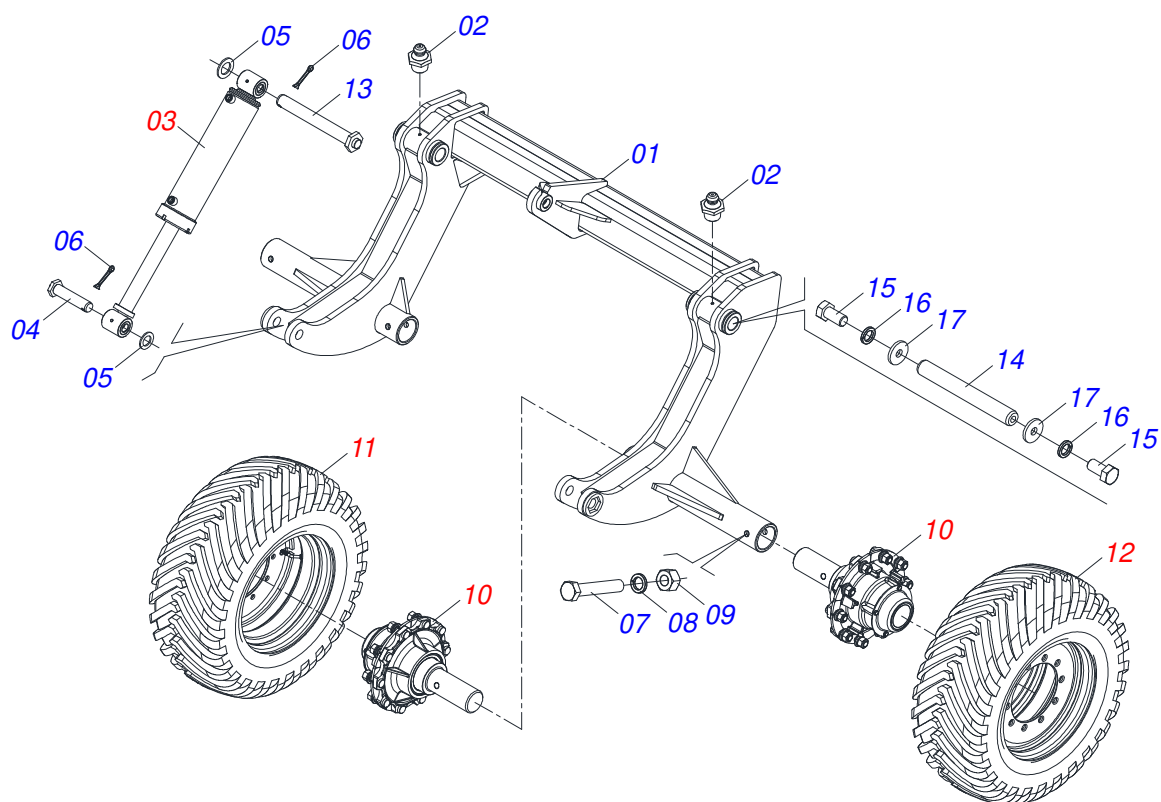
**GASPCR-HD 9017 - 2.1/2" AXLE - HYDRAULIC ARTICULATED -
ASSY FRAME - 32/34/36D**

Item	Code	Description	See page	032	034	036
26	0581015612	JUNCTION SHAFT 50,90 X 452		004	004	004
27	0511019776	FLAT WASHER		008	008	008
28	0503011069	0.4" X 2.8" SPRING PIN		008	008	008
29	0909096384	ARTICULATOR ASSEMBLY	12	001	001	001
30	0503010233	5/8" X 2-1/2" BOLT		004	004	004
31	0571010265	16.5 X 40 X 3 FLAT WASHER		004	004	004
32	0581011153	FRAME BEAT		004	004	004
33	0571013284	17.5 X 90 X 4.75 FLAT WASHER		004	004	004
34	0503010027	5/8 SPRING WASHER		068	072	076
35	0503010013	5/8 NUT		068	072	076
36	0511064771	FRONT SCRAPER SUPPORT		032	034	036
37	0521013678	FRONT CLEANER		016	017	018
38	0521013679	REAR CLEANER		016	017	018
39	0501010500	3/4"X3"BOLT		064	068	072
40	0541010763	FLAT WASHER		128	136	144
41	0503010014	3/4" HEX NUT		064	068	072
42	0503012195	5/8" NUT		064	068	072
43	0511059196	ASSY VALVE	16	001	001	001
44	0503011173	7/16" X 2" BOLT		002	002	002
45	0503010180	7/16" SPRING WASHER		016	016	016
46	0501012803	FLAT WASHER		004	004	004
47	0502010477	HOSE CLAMP		018	018	018
48	0503011135	BOLT		012	012	012
49	0503011103	7/16" X 2-1/2" BOLT		002	002	002
50	0521066443	SUPPORT FIXER LANTERN		002	002	002
51	0521066624	FIXER SUPPORT LANTERN		002	002	002
52	0501010098	3/4" UNC BOLT		002	002	002
53	0503010023	3/4" SPRING WASHER		002	002	002
54	0503011082	C1/2" X 1.3/4" SCREW		004	004	004
55	0503010019	1/2" SPRING WASHER		004	004	004
56	0503010060	1/2 UNC G.5 ZN HEX NUT		004	004	004
57	0521040349	1-1/4" X 5.3/4" BOLT		006	006	006
57A	0501010954	1.1/4" X 5.3/4" BOLT		006	006	006
57B	0571010449	LOCK BOLT		006	006	006
57C	0571010448	32,50 X 75 X 16 SLEEVE		006	006	006
57D	0501010087	1.1/4" NUT		012	012	012
58	0531040021	FIXING ASSEMBLY	17	003	003	003
59	0521052190	MANUAL CANISTER ASSY	18	001	001	001
60	0551019515	LATCH SHIPPING		001	001	001
61	0561016693	TRANSPORT LOCK		002	002	002
62	0541016844	FIXER LOCK		003	003	003
63	0503030285	HITCH PIN CLIP		003	003	003
64	0531040022	REAR HITCH SET	19	001	001	001
65	0909096663	FRAMES ARTICULATION HYDRAULIC CIRCUIT	21	001	001	001
65.	0909096664	WHEEL LIFTING HYDRAULIC CIRCUIT	22	001	001	001
66	0501047895	25 ROD STOP		006	006	006
67	0501047887	40 ROD STOP		003	003	003
68	0501047888	45 ROD STOP		003	003	003
69	0501047885	30 ROD STOP		003	003	003
70	0501047886	35 ROD STOP		003	003	003
71	0501011432	1-1/2" AND 1-5/8 GANG BOLT WRENCH		001	001	001
72	0501061044	2-1/8" AND 2-1/2" CABLE FLAT WRENCH		002	002	002
73	0503016137	1-1/4" WRENCH CABLE CYLINDER		001	001	001
74	0521062858	1.1/4" WRENCH NUT		001	001	001
75	0503034078	LIFTING POINTS DECAL		004	004	004
76	0503031738	ADHESIVE LABEL		003	003	003
77	0503031739	ADHESIVE LABEL		001	001	001
78	0503034499	HOSE IDENTIFICATION DECAL		001	001	001
79	0503031428	READ MANUAL DECAL		001	001	001

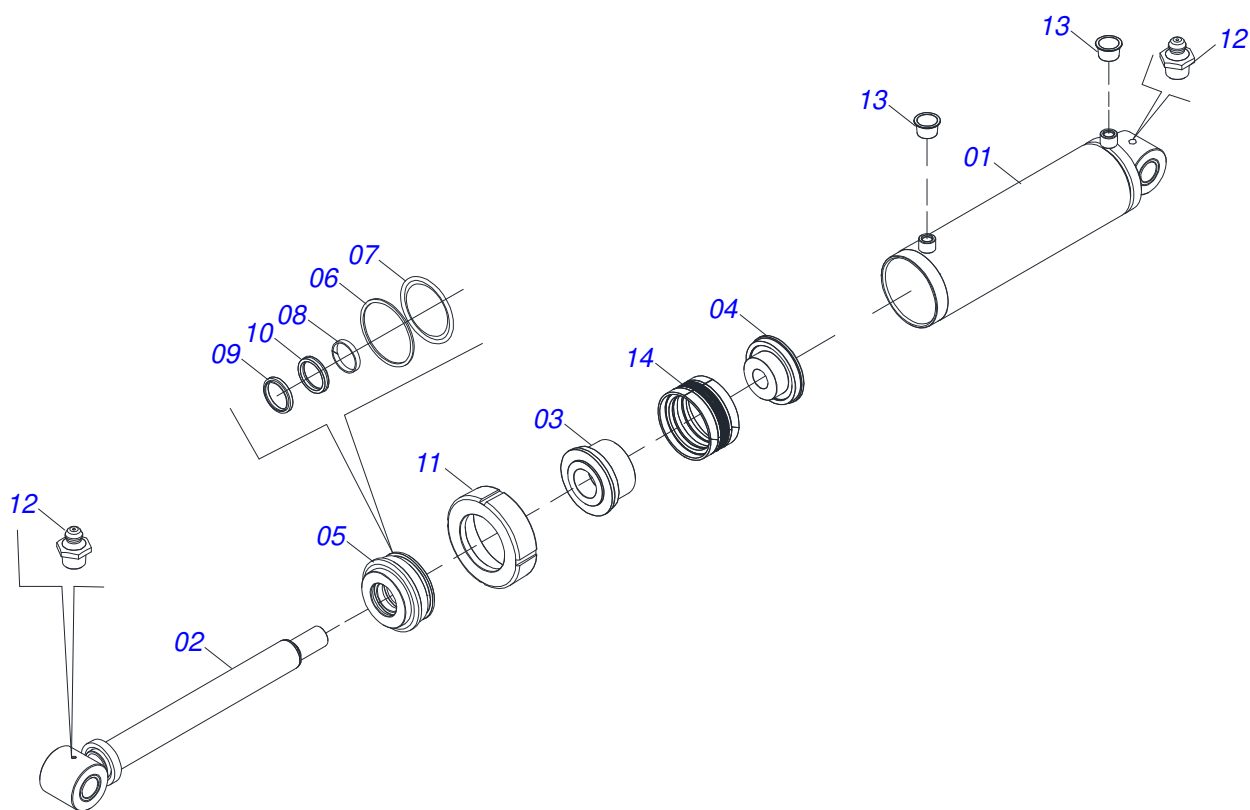


**GASPCR-HD 9017 - 2.1/2" AXLE - HYDRAULIC ARTICULATED -
ASSY FRAME - 32/34/36D**

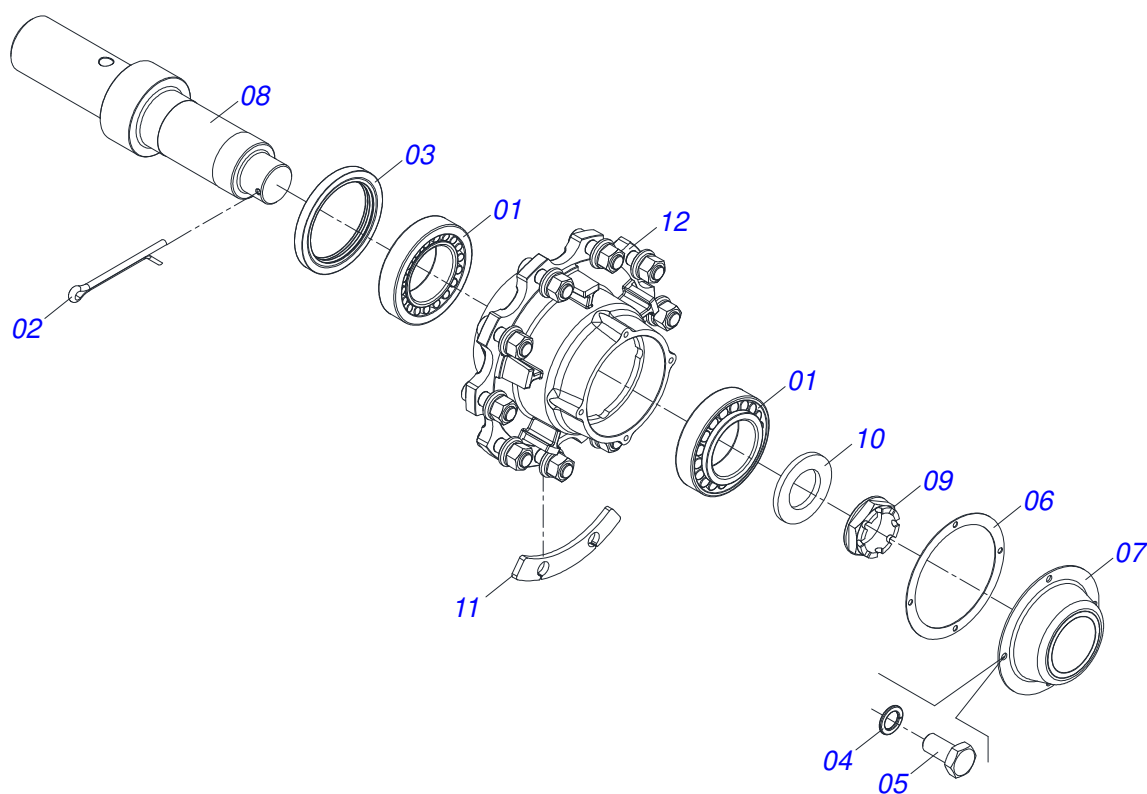
Item	Code	Description	See page	032	034	036
80	0503031827	LUBRICATE AND RETIGHTEN DAILY DECAL		001	001	001
81	0503031087	ADHESIVE LABEL		001	001	001
82	0503033038	DANGER SIGN		001	001	001
83	0503034976	ADHESIVE LABEL		002	002	002
84	0503033428	ADHESIVE LABEL		001	001	001
85	0503034003	SERIAL NUMBER TAG 61 X 118		001	001	001
86	0503010001	3.2 X 5.5 RIVET		004	004	004
87	0909096665	ASSY DISCS SECTION - 32/34/36D	24	001	001	001



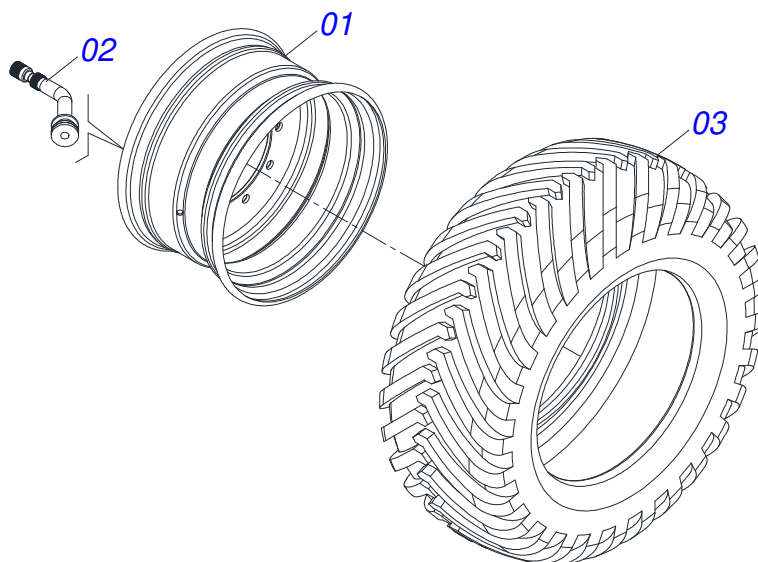
Item	Code	Description	See page	QT
01	0531060840	WHEEL		01
02	0503010002	1800 GREASE FITTING		02
03	0521058003	2" X 5" X 25" X 13" HIDRAULIC CYLINDER	3	02
04	0531060841	CYLINDER AXLE		02
05	0501012916	FLAT WASHER 40 X 66 X 4,75 ZN		04
06	0503010534	3/8 X 2-1/2 COTTERPIN		04
07	0503011198	C3/4" X 6" SCREW		04
08	0503010023	3/4" SPRING WASHER		04
09	0503010014	3/4" HEX NUT		04
10	0531051144	WHEEL WITHOUT TIRE	4	04
11	0503063281	RIGHT WHEEL	5	02
12	0503063282	LEFT WHEEL	6	02
13	0531060842	CYLINDER AXLE		02
14	0531018062	COUPLING SHAFT		02
15	0503011250	1" X 2" BOLT		04
16	0503010012	1" SPRING WASHER		04
17	0521011565	FLAT WASHER		04



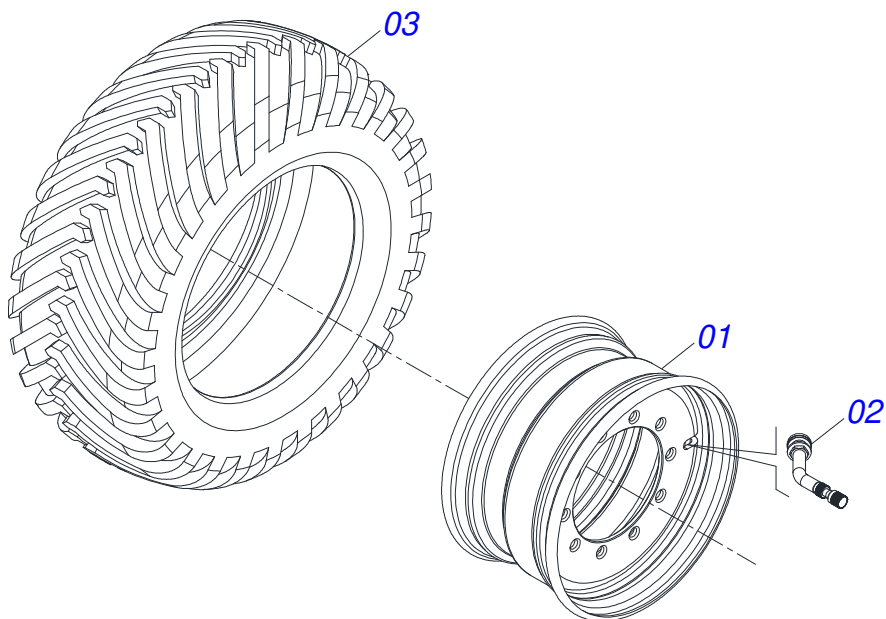
Item	Code	Description	See page	QT
01	0531060846	CYLINDER CASE		01
02	0531060845	TURNBUCKLE		01
03	0561016583	PISTON BODY		01
04	0502012645	PISTON BODY		01
05	0502012646	RING SUPPORT		01
06	0503011062	8-425 BACK-UP RING		01
07	0503010351	2-425 N 3006-9B O'RING		01
08	0503015641	WEAR RING		01
09	0503015642	U-CUP SEALING		01
10	0503015715	SCRAPER SEALING		01
11	0502010382	5" END CAP		01
12	0503010002	1800 GREASE FITTING		02
13	0503030384	CON PLUG N-001		02
14	0503015643	SEAL		01



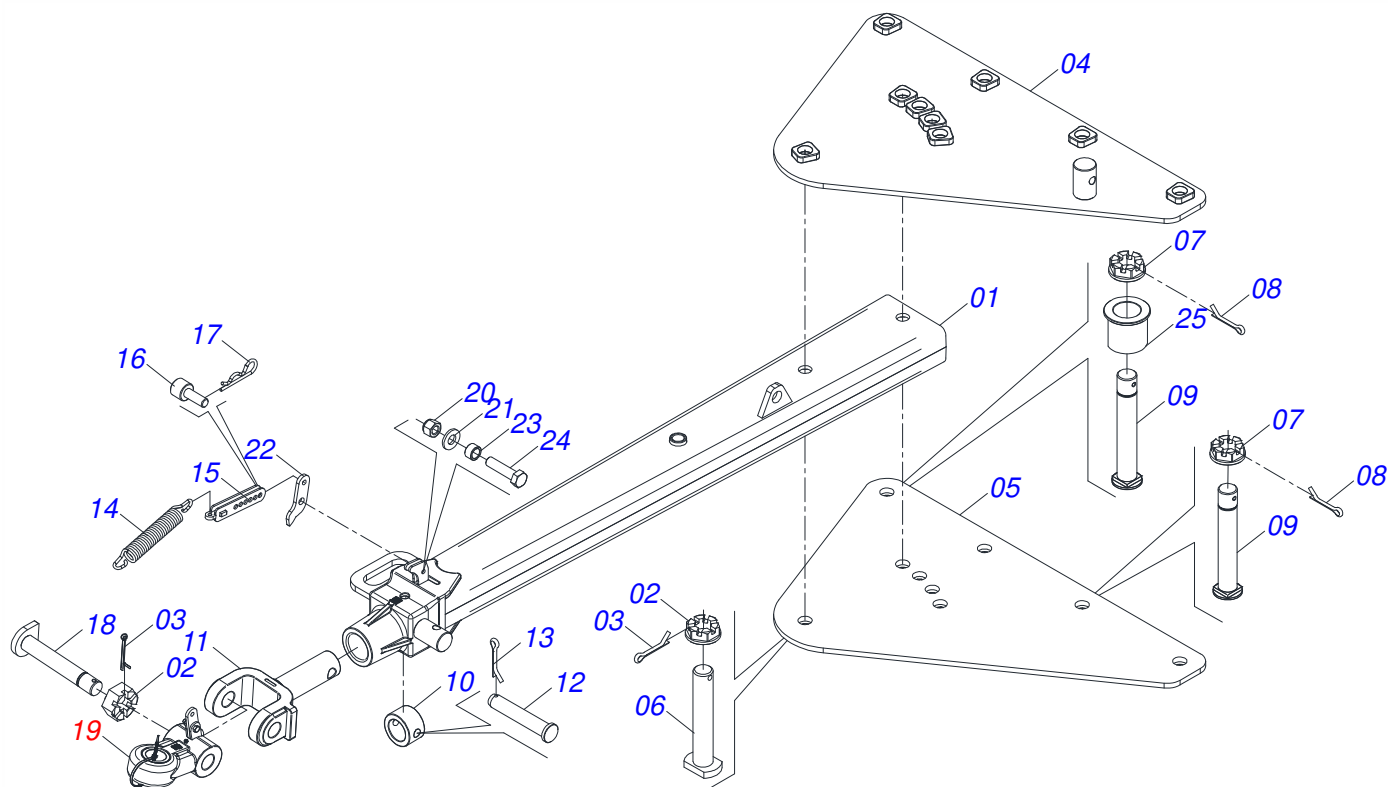
Item	Code	Description	See page	QT
01	0503010118	32218 BEARING		02
02	0503012213	1/4" COTTERPIN		01
03	0503013541	RETAINER		01
04	0503013542	M10 SPRING WASHER		04
05	0503013546	BOLT SX MA5,8 M10X1,5X20ZA DI		04
06	0503013548	JOINT CORK		01
07	0503013549	HUB COVER		01
08	0591018279	AXLE TIP R 2. 1/2 UN (FURO 50)		01
09	0502040080	FLANGE NUT R.2.1/2 UN		01
10	0531019986	64 X 110 X 9.5 FLAT WASHER		01
11	0561015521	FLANGE		05
12	0501110761	HUB AND BOLT		01



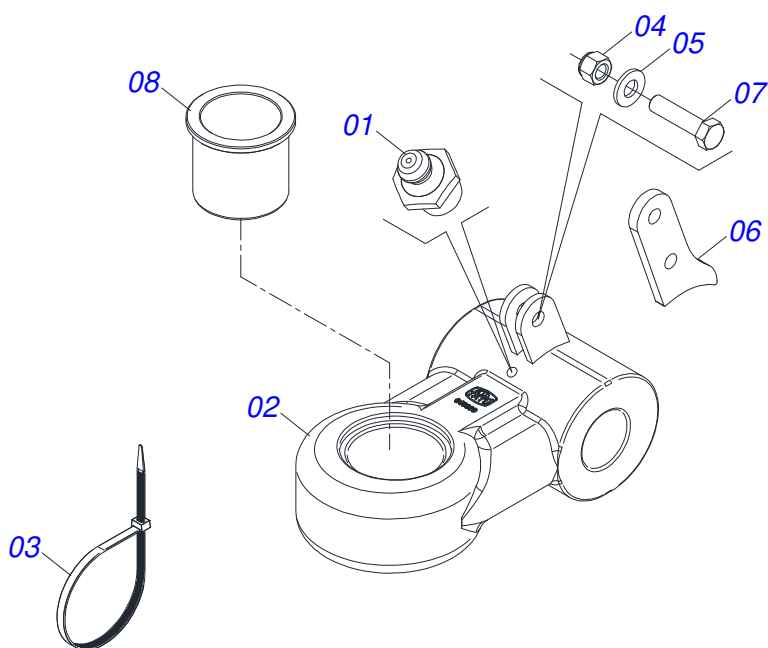
Item	Code	Description	See page	QT
01	0503033536	RING		01
02	0503016098	VALVE		01
03	0503019969	TIRE 400/55-22,5 152A 8/149B		01



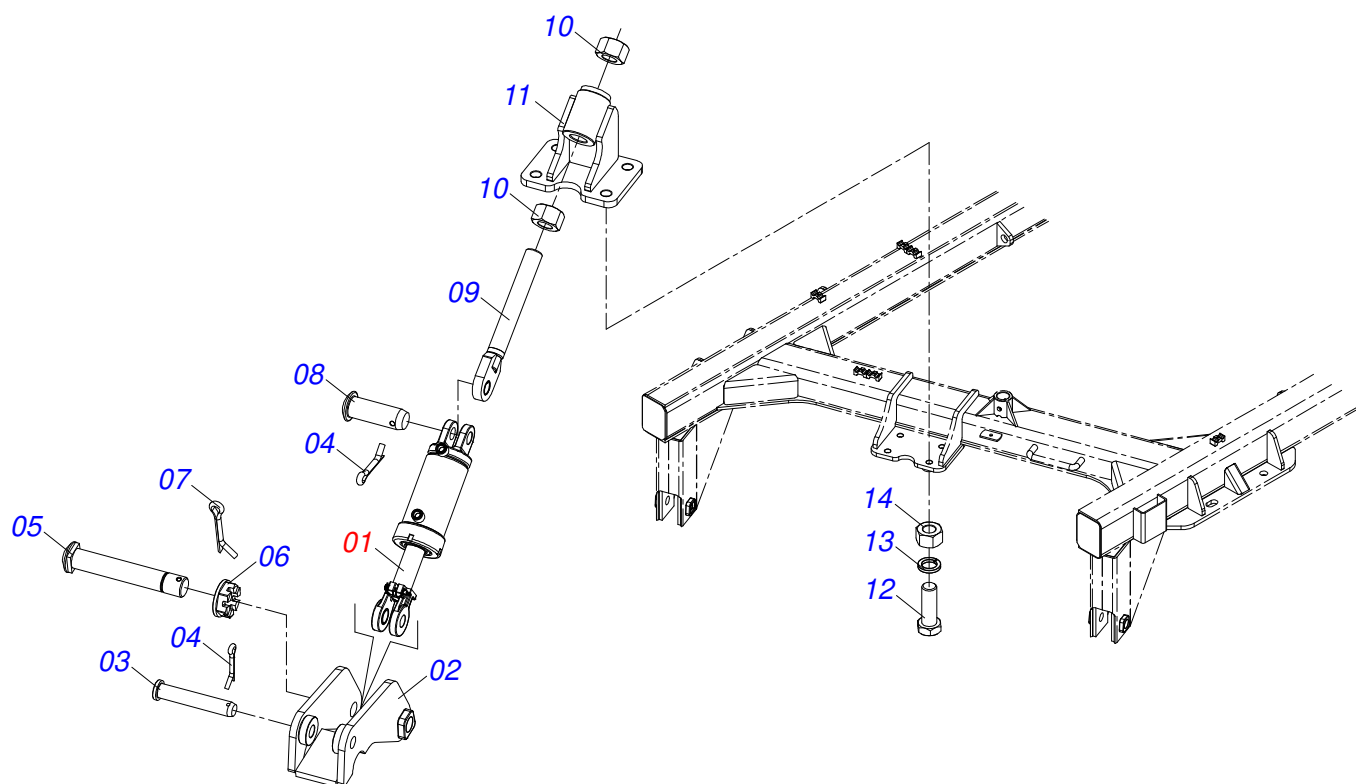
Item	Code	Description	See page	QT
01	0503033536	RING		01
02	0503016098	VALVE		01
03	0503019969	TIRE 400/55-22,5 152A 8/149B		01



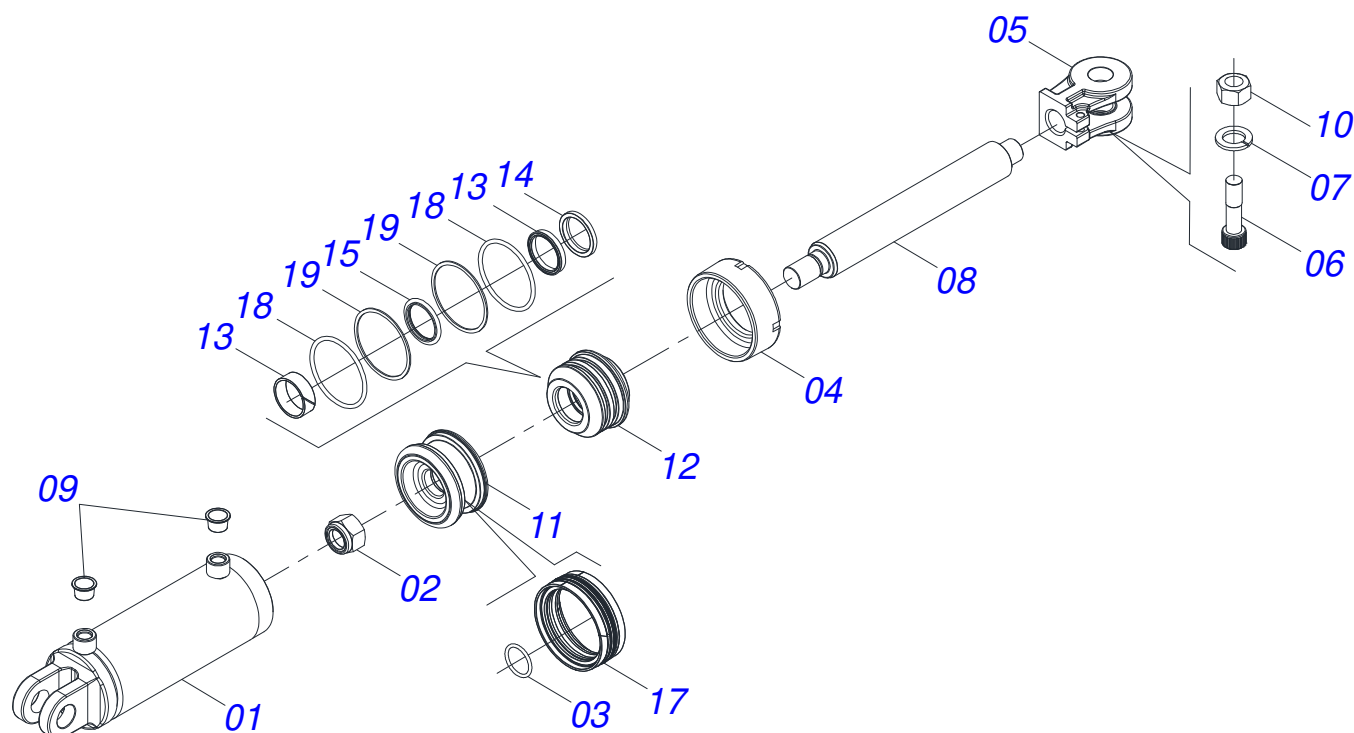
Item	Code	Description	See page	QT
01	0521068249	BAR TRACTION (AXLE 2)		01
02	0502040558	2" CASTLE NUT		02
03	0503010074	3/8 X 0,15" COTTERPIN		02
04	0521068246	UPPER PLATE (AXLE 2)		01
05	0521068247	LOWER PLATE (AXLE 2)		01
06	0521068248	SHAFT JUNCTION WITH LOCK (50,80 X 273)		01
07	0501811301	CASTLE NUT		05
08	0503010010	1/4" X 2.1/2" COTTERPIN		05
09	0521811880	37,50 X 230 X PQ R.1/2 JUNCTION AXLE		05
10	0502040263	ANEL TRAVA ENGATE		01
11	1902040897	TRACTOR HITCH		01
12	0561017306	COUPLING SHAFT		01
13	0503010523	1/4" X 2" COTTERPIN		01
14	0503031741	1.8" X 11.4" 0.3" TRACTION SPRING		01
15	0531061607	SPRING REGULATOR		01
16	0591014558	SPRING REGULATOR FIXER AXLE		01
17	0503030285	HITCH PIN CLIP		01
18	0531061122	AXIS ARTICULATOR		01
19	0531040171	ASSY HITCH	8	01
20	0503010589	1/2" UNC SELF ADJUSTING NUT		01
21	0501010937	13,50 X 28 X 3,00 FLAT WASHER		01
22	0591014554	REAR EAR FIXING SPRING		01
23	0591014552	SLEEVE		01
24	0503010740	BOLT 1/2 UNC X 2 CS G.5 ZN		01
25	0591013086	SLEEVE		01



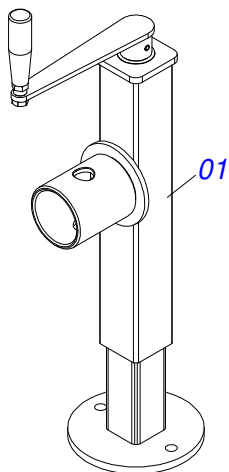
Item	Code	Description	See page	QT
01	0503010002	1800 GREASE FITTING		01
02	0531061121	HITCH		01
03	0503018829	NYLON CLAMP		01
04	0503010589	1/2" UNC SELF ADJUSTING NUT		01
05	0501010937	13,50 X 28 X 3,00 FLAT WASHER		01
06	0591014555	FRONT EAR FIXING SPRING		01
07	0503010740	BOLT 1/2 UNC X 2 CS G.5 ZN		01
08	0591013448	SLEEVE		01



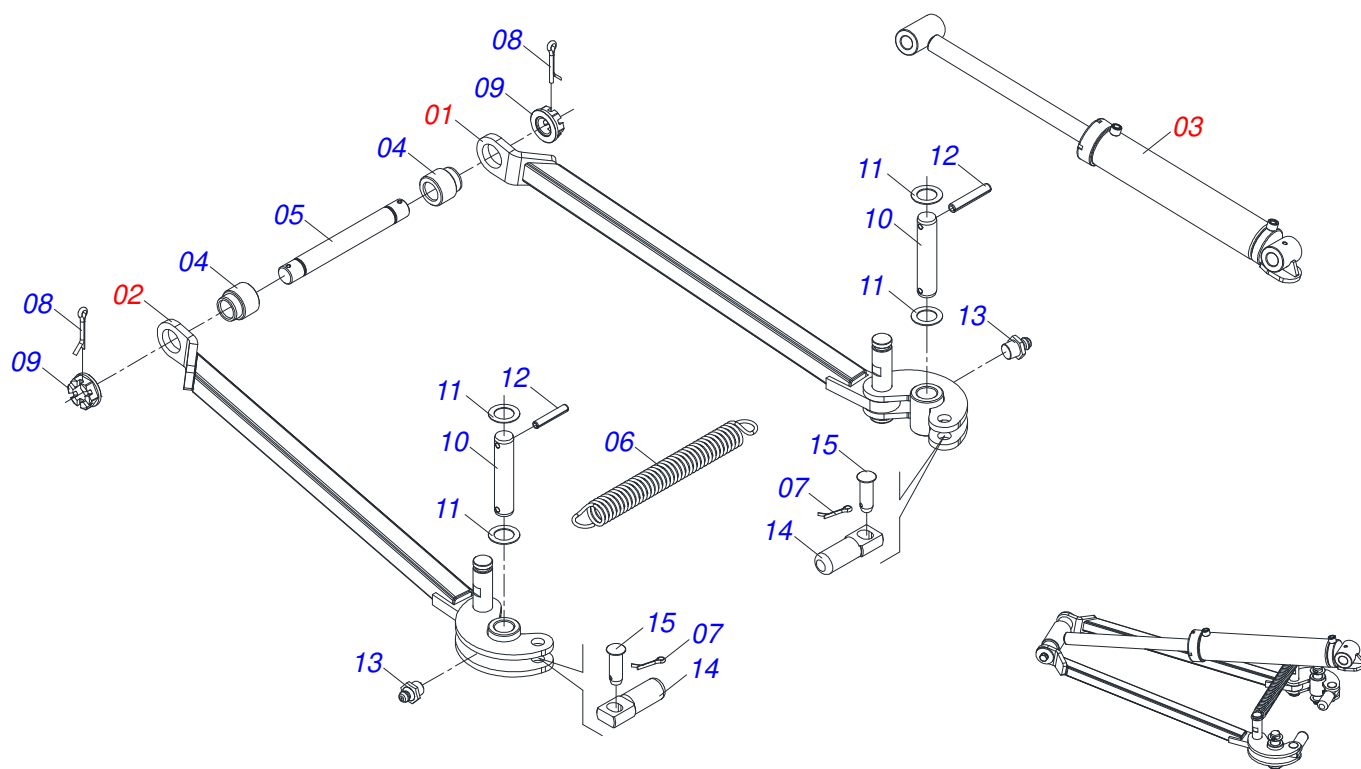
Item	Code	Description	See page	QT
01	0511058521	2" X 4" X 20" X 6" HYDRAULIC CYLINDER	10	01
02	0511064656	DRAWBAR PIVOT		01
03	0531019171	1.25" X 7" COUPLING SHAFT		01
04	0503010523	1/4" X 2" COTTERPIN		01
05	0521812053	1.5" X 8.6" AXLE		01
06	0501011301	1.1/2 UNC 6FPP 2.5/16 NUT		01
07	0503010010	1/4" X 2.1/2" COTTERPIN		01
08	0521012538	1.2" X 3.5" COUPLING SHAFT		01
09	0511064433	REGULATOR SPINDLE 1-3/4		01
10	0501010333	1.3/4" NUT		02
11	0521066580	CYLINDER FIXER		01
12	0501010276	BOLT		04
13	0503010012	1" SPRING WASHER		04
14	0501010059	1.5/8 NUT		04



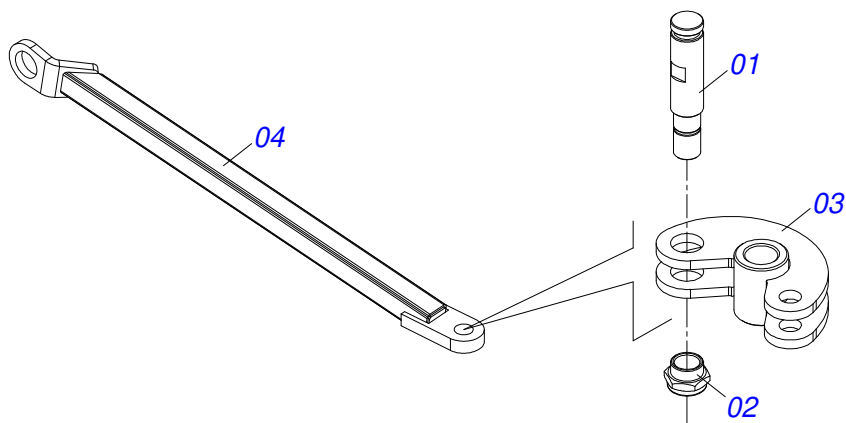
Item	Code	Description	See page	QT
01	0521066698	CYLINDER CASE ASSY		01
02	0503010817	1.1/4" SELF LOCKING NUT		01
03	0503018029	2-217 O'RING		01
04	0502012822	101.60 END CAP		01
05	0502040747	32.54 CLEVIS CLAMP		01
06	0503011094	3/8" X 2" BOLT		01
07	0503011443	3/8" SPRING WASHER		01
08	0581011007	HYDRAULIC CYLINDER TURNBUCKLE		01
09	0503030384	CON PLUG N-001		02
10	0503010026	3/8" NUT		01
11	0502012820	50,80 X 101,60 PISTON		01
12	0502012821	50.80 X 101.60 RING SUPPORT		01
13	0503018025	RING GUIDE		01
14	0503010039	D-2000 SCRAPER RING		01
15	0503018026	1870-2000-375 B GASKET		01
16	0503018024	RING BS		01
17	0503015633	SELEMASTER SEALING		01
18	0503010338	2-342 N 3006-9B O'RING		02
19	0503011061	8-342 BACK-UP RING		02
20	0511032211R	HYDRAULIC CYLINDER REPAIR KIT		01



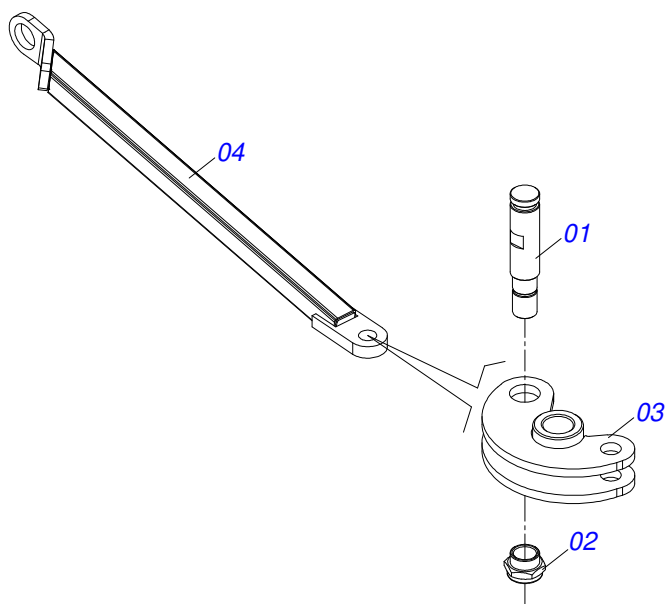
Item	Code	Description	See page	QT
01	0503062227	DRAWBAR JACK		01



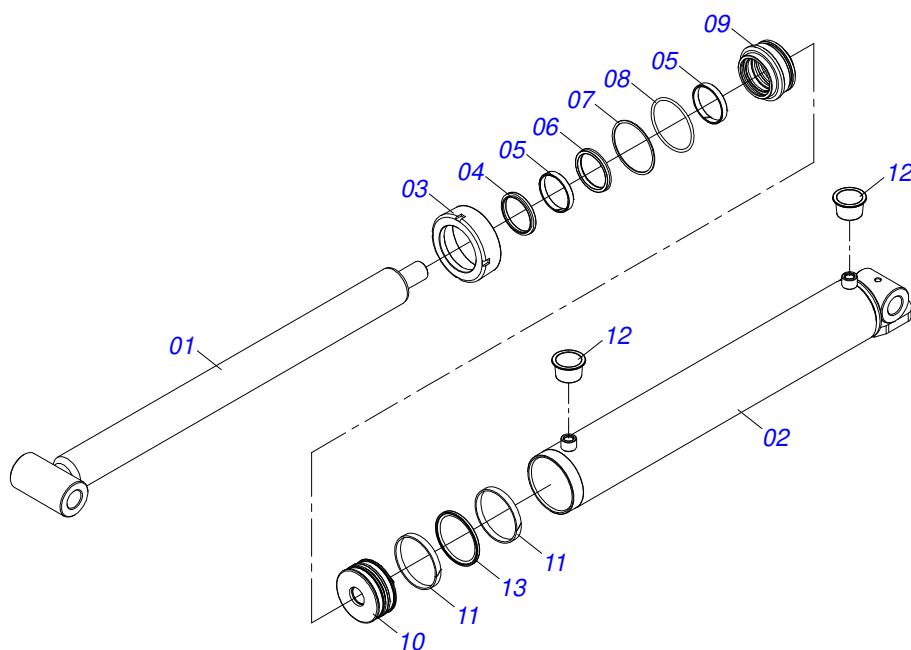
Item	Code	Description	See page	QT
01	0511050181	LH FRONT/RH REAR ARTICULACION	13	04
02	0511050182	RH FRONT/LH REAR ARTICULACION	14	04
03	0511059197	3" X 4" X 42" X 28" HYDRAULIC CYLINDER	15	04
04	0541016614	38,20 X 62 X 61 SLEEVE		08
05	0501210091	ARTICULATOR PIVOT AXIS		04
06	0503032537	50,7 X 325 X 6,35 TRACTION SPRING		04
07	0503010571	1/4" X 1.1/2 COTTERPIN		08
08	0503010010	1/4" X 2.1/2" COTTERPIN		08
09	0501011301	1.1/2 UNC 6FPP 2.5/16 NUT		08
10	0541016677	37,20 X 177 COUPLING SHAFT		08
11	0511019685	FLAT WASHER		16
12	0503010361	SPRING PIN		16
13	0503010002	1800 GREASE FITTING		08
14	0561013283	LOCK AXLE FRAME		08
15	0521010572	0.9" X 2.9" COUPLING SHAFT		08



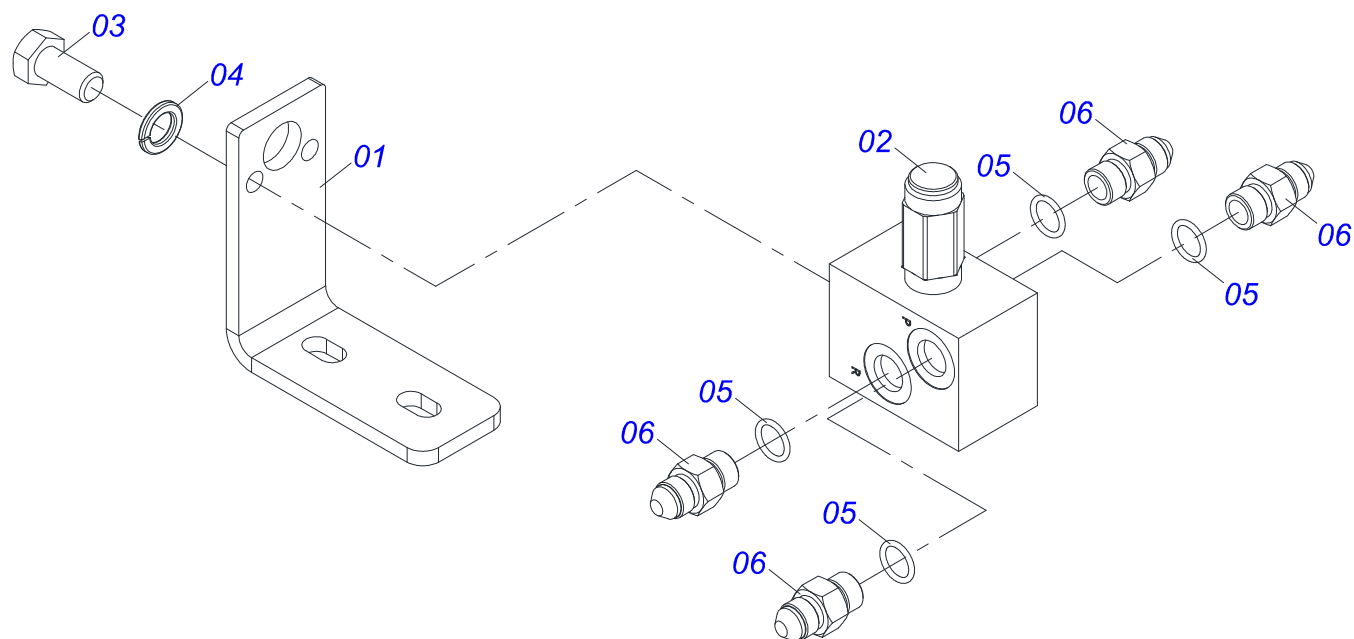
Item	Code	Description	See page	QT
01	0561014074	LOCK AXLE		01
02	0541019258	1.1/4 ADJUSTING NUT		01
03	0521060779	LOCK PIN		01
04	0521060770	FRONT ARTICULACION ARM		01



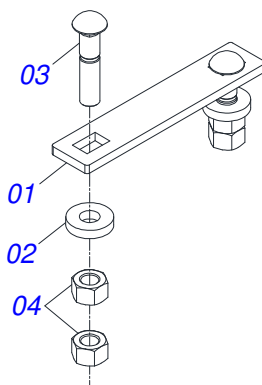
Item	Code	Description	See page	QT
01	0561014074	LOCK AXLE		01
02	0541019258	1.1/4 ADJUSTING NUT		01
03	0521060779	LOCK PIN		01
04	0521060771	ARTICULATION ARM ASSY		01



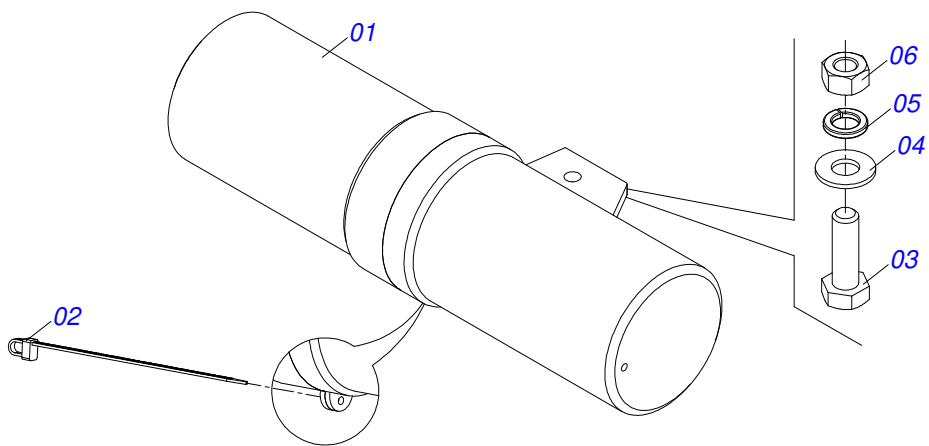
Item	Code	Description	See page	QT
01	0521060777	TURNBUCKLE 76,20 X 1020,50 CRO 7012		01
02	0521067412	SHIRT 114.30 X 897.50 WITH BEATER		01
03	0502012629	MOBILE COVER 114,30 (E. 76,20)		01
04	0503012642	D-3000 SCRAPER RING		01
05	0503013553	SEAL RING		02
06	0503013552	GASKET		01
07	0503011893	BACK-UP RING, 8-346		01
08	0503011892	O' RING, 2-346 N 3006-9B		01
09	0502012628	RING SUPPORT 76,30 X 114,20 GCRO		01
10	0502012477	114,30 PISTON		01
11	0503011891	W2-4500-500 RING G.E		02
12	0503030384	CON PLUG N-001		02
13	0503014692	OE 114,3 GASKET		01



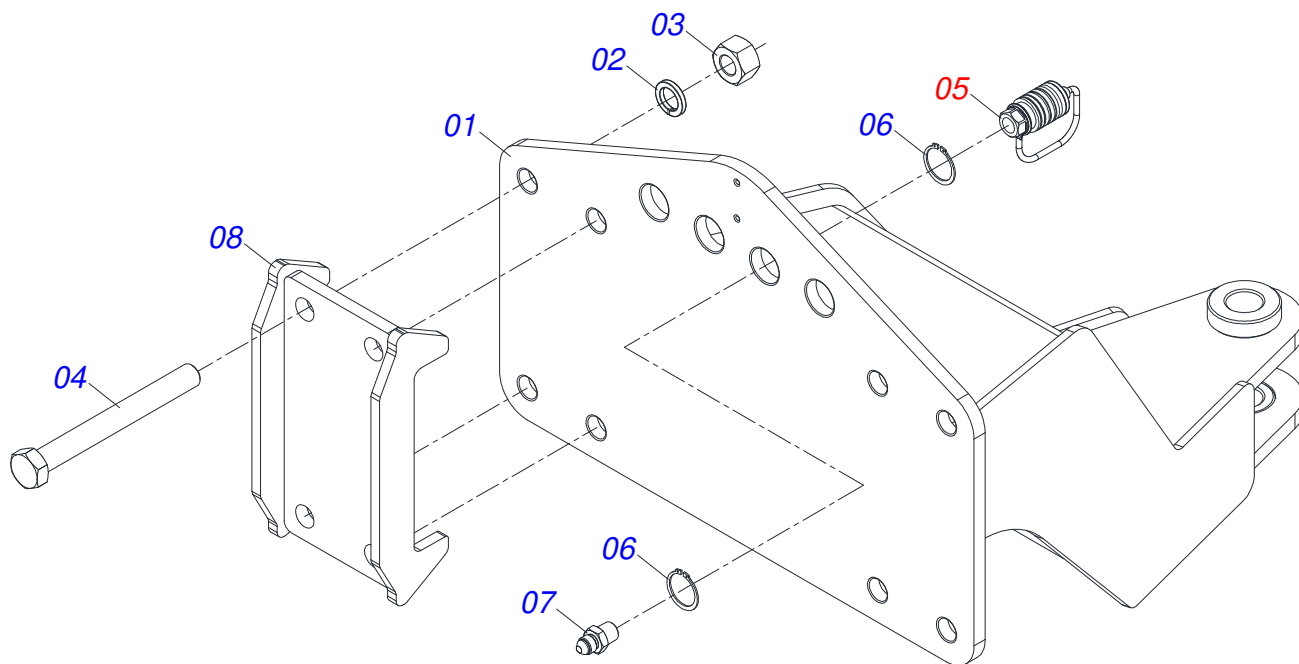
Item	Code	Description	See page	QT
01	0581011745	VALVE SUPPORT		01
02	0503010919	DISCHARGE VALVE		01
03	0503011334	BOLT 3/8 UNC X 3/4 CS G.5 ZN		02
04	0503010025	3/8 SPRING WASHER		02
05	0503010190	2-114 N 3006-9B O'RING		04
06	0501010617	3/4" NIPPLE		04



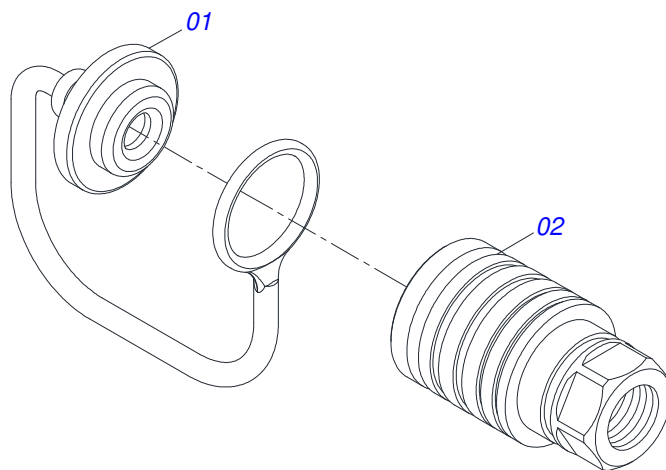
Item	Code	Description	See page	QT
01	0591013569	SQUARE WASHER		01
02	0571010448	32,50 X 75 X 16 SLEEVE		02
03	0501010954	1.1/4" X 5.3/4" BOLT		02
04	0501010087	1.1/4" NUT		04



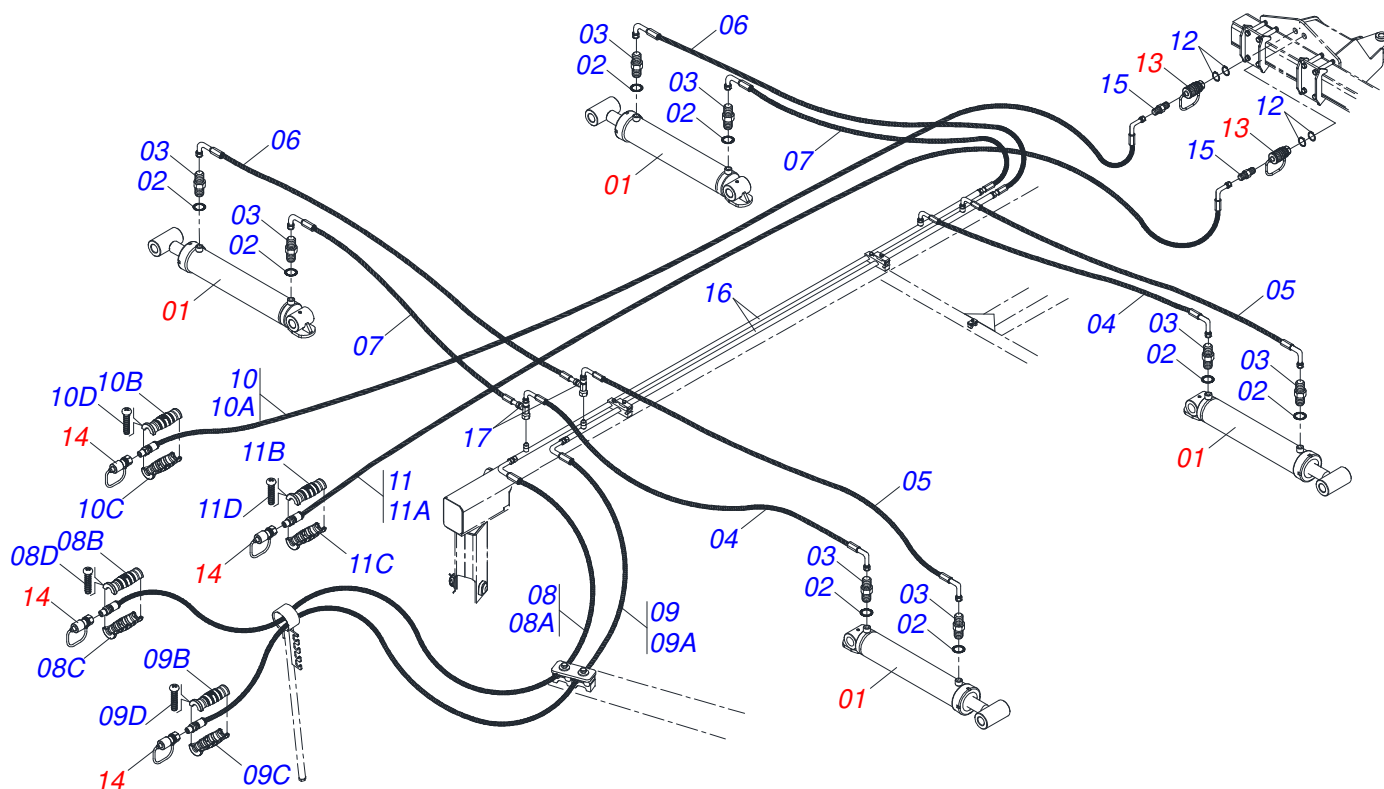
Item	Code	Description	See page	QT
01	0503060100	INSTRUCTIONS MANUAL CANISTER		01
02	0503010267	NYLON CLAMP		01
03	0503010363	BOLT 5/16 UNC X 1 C S G.2 ZN		01
04	0501010694	FLAT WASHER		01
05	0503010179	LOCK WASHER 5/16 ZN 1K01528		01
06	0503010337	5/16" NUT		01



Item	Code	Description	See page	QT
01	0531060844	260 REAR HITCH		01
02	0503010012	1" SPRING WASHER		08
03	0501010059	1.5/8 NUT		08
04	0501010064	1" X 9" BOLT		08
05	0501053835	FEMALE QUICK COUPLER	20	02
06	0503010217	501040 CLAMPING RING (FOR AXLE)		04
07	0571015342	3/4" NIPLE		02
08	0531060843	FIXER CLAW		02



Item	Code	Description	See page	QT
01	0503011883	QUICK CONNECTION COVER		01
02	0503011628	FEMALE QUICK COUPLER		01



Item	Code	Description	See page	QT
01	0511059197	3" X 4" X 42" X 28" HYDRAULIC CYLINDER	15	04
02	0503010190	2-114 N 3006-9B O'RING		08
03	0501010617	3/4" NIPPLE		08
04	0501080578	3/8" X 157" TC-TC HOSE		02
05	0501080909	3/8" X 181" TC-TC HOSE		02
06	0501080401	3/8" X 106" TR-TC HOSE		02
07	0501080450	3/8" X 86" TR-TC HOSE		02
08	0521052945	3/8" X 240" TC-TM BROWN/RED HOSE		01
08A	0501080850	3/8" X 240" TC-TM HOSE		01
08B	0503034490	HYDRAULIC HOSE GRIP (BROWN)		01
08C	0503034495	HYDRAULIC HOSE GRIP (RED)		01
08D	0503018952	PLASTIC BOLT		06
09	0521052944	3/8" X 240" TC-TM BROWN/BLUE HOSE		01
09A	0501080850	3/8" X 240" TC-TM HOSE		01
09B	0503034490	HYDRAULIC HOSE GRIP (BROWN)		01
09C	0503034494	HYDRAULIC HOSE GRIP (BLUE)		01
09D	0503018952	PLASTIC BOLT		06
10	0521052430	3/8" X 472" TC-TM GRAY/RED HOSE		01
10A	0501082031	3/8" X 472" TC-TM HOSE		01
10B	0503034489	HYDRAULIC HOSE GAUNTLET (GRAY)		01
10C	0503034495	HYDRAULIC HOSE GRIP (RED)		01
10D	0503018952	PLASTIC BOLT		06
11	0521052457	3/8" X 472" TC-TM GRAY/BLUE HOSE		01
11A	0501082031	3/8" X 472" TC-TM HOSE		01
11B	0503034489	HYDRAULIC HOSE GAUNTLET (GRAY)		01
11C	0503034494	HYDRAULIC HOSE GRIP (BLUE)		01
11D	0503018952	PLASTIC BOLT		06
12	0503010217	501040 CLAMPING RING (FOR AXLE)		04
13	0501053835	FEMALE QUICK COUPLER	20	02
14	0501053834	MALE QUICK COUPLER	23	04
15	0571015342	3/4" NIPPLE		02

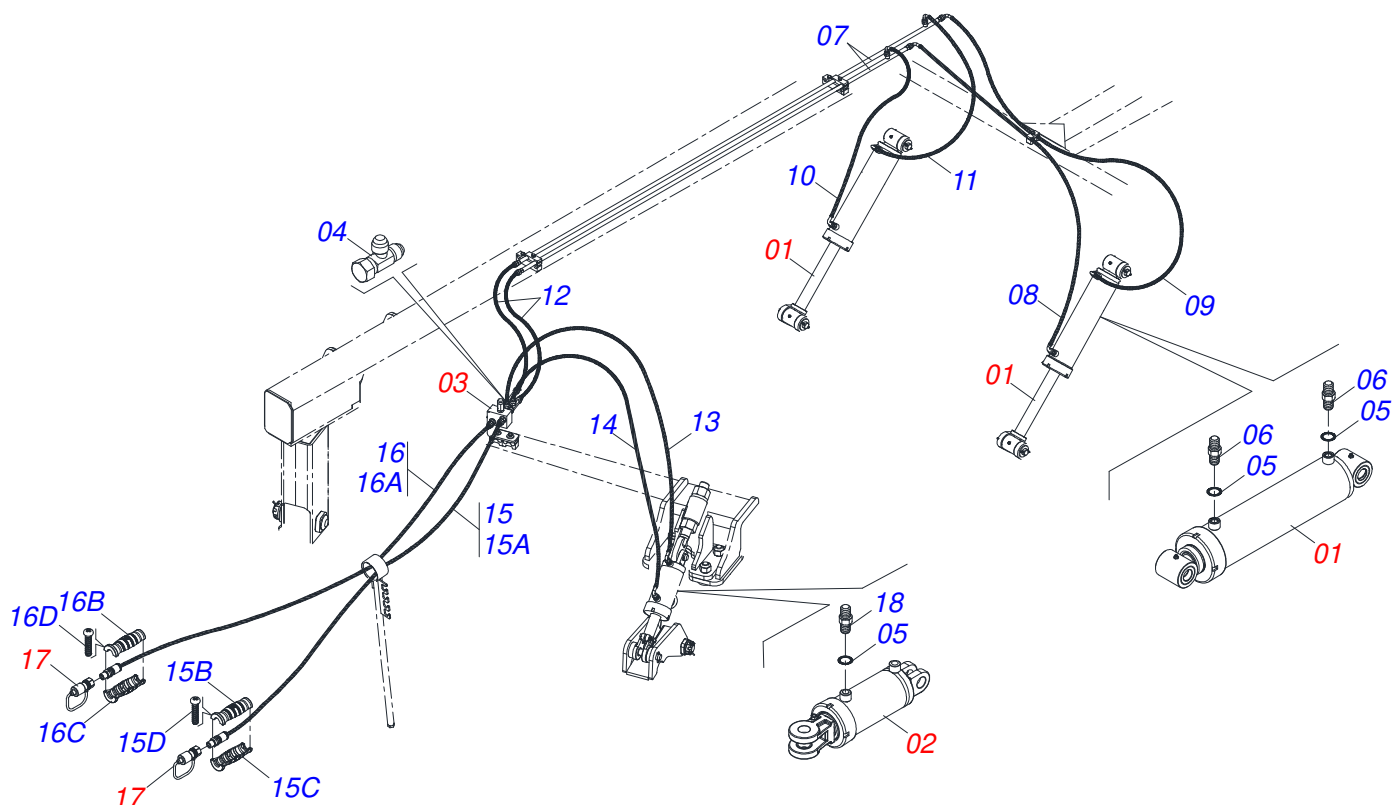


**GASPCR-HD 9017 - 2.1/2" AXLE - HYDRAULIC ARTICULATED -
FRAMES ARTICULATION HYDRAULIC CIRCUIT**

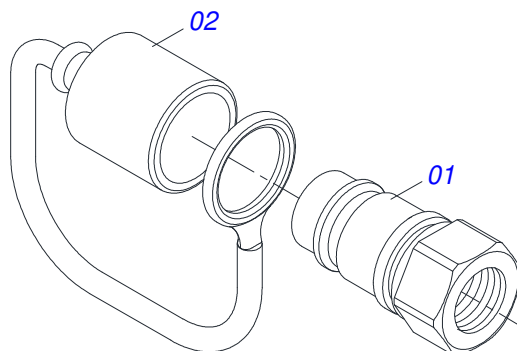
Page 21

0909096663

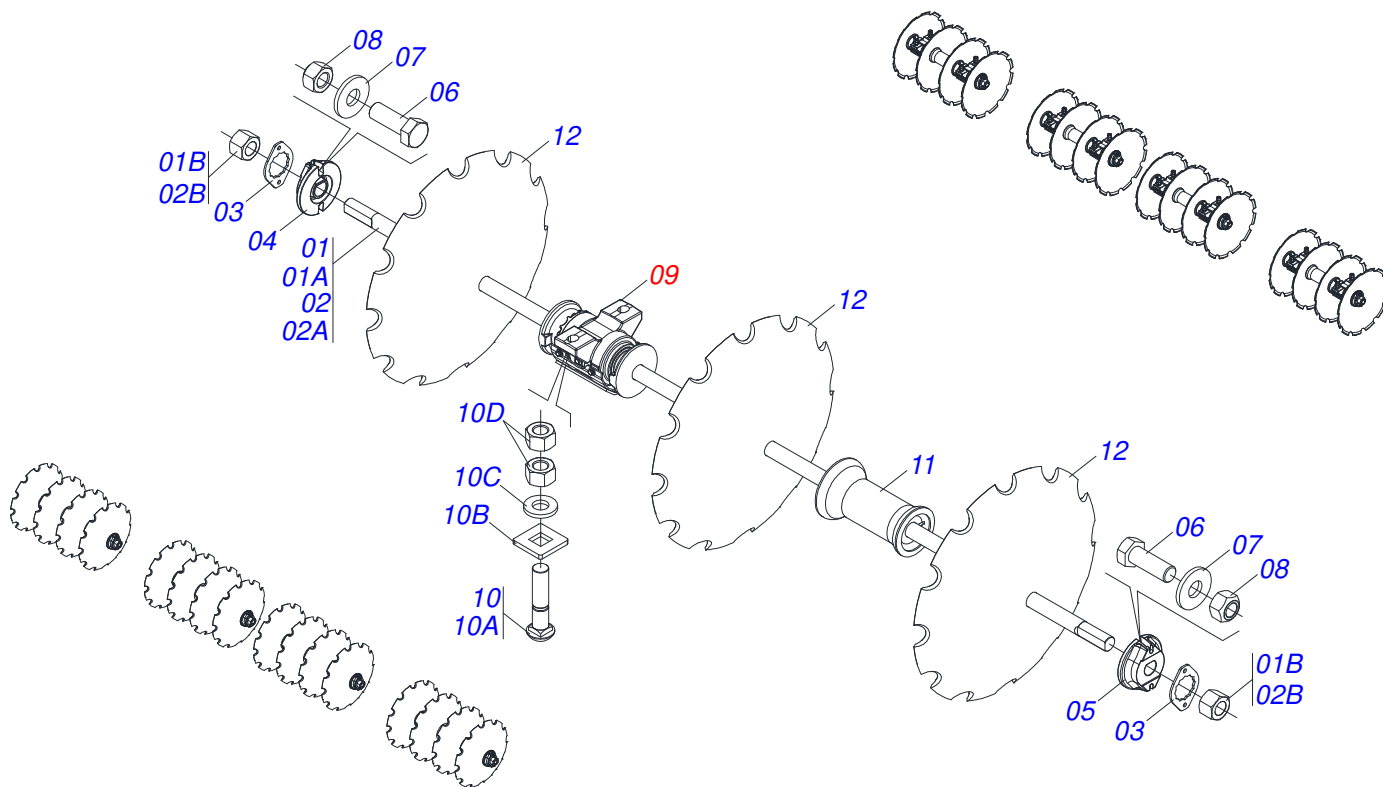
Item	Code	Description	See page	QT
16	0521066126	DISTRIBUTOR OIL TUBE		02
17	0503011968	3/4" 8R6X-S T ADAPTER WITH SWIVEL NUT		02



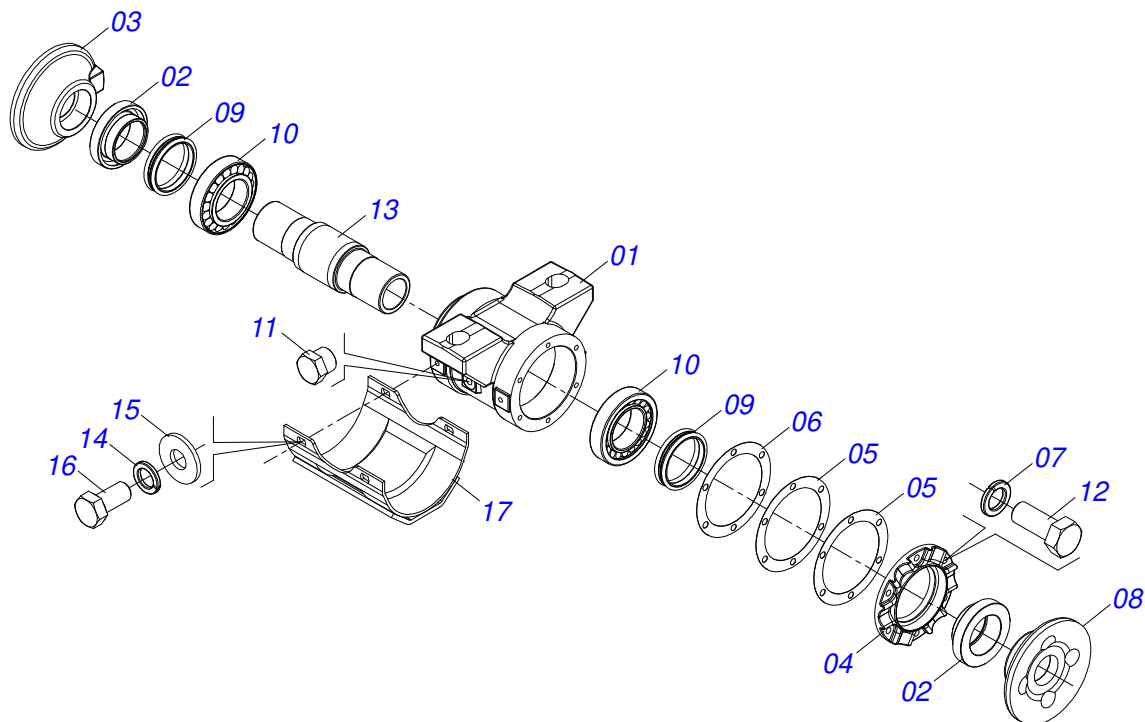
Item	Code	Description	See page	QT
01	0521058003	2" X 5" X 25" X 13" HIDRAULIC CYLINDER	3	02
02	0511058521	2" X 4" X 20" X 6" HYDRAULIC CYLINDER	10	01
03	0511059196	ASSY VALVE	16	01
04	0503011968	3/4" 8R6X-S T ADAPTER WITH SWIVEL NUT		02
05	0503010190	2-114 N 3006-9B O'RING		06
06	0501010617	3/4" NIPPLE		04
07	0521066937	DUCT DISTRIBUTOR OF OIL		02
08	0501080432	3/8" X 102" TC-TC HOSE		01
09	0501080393	3/8" X 86" TC-TC HOSE		01
10	0501080065	3/8" X 47" TC-TC HOSE		01
11	0501080931	3/8" X 39" TC-TC HOSE		01
12	0501080106	3/8" X 31" TR-TR HOSE		02
13	0501080302	3/8" X 55" TR-TC HOSE		01
14	0501080436	3/8" X 62" TR-TC HOSE		01
15	0531055152	3/8" X 236" TR-TM BLACK/BLUE HOSE		01
15A	0501082444	3/8" X 236" TR-TM HOSE		01
15B	0503034492	HYDRAULIC HOSE GRIP (BLACK)		01
15C	0503034494	HYDRAULIC HOSE GRIP (BLUE)		01
15D	0503018952	PLASTIC BOLT		06
16	0531055151	3/8" X 236" TR-TM BLACK/RED HOSE		01
16A	0501082444	3/8" X 236" TR-TM HOSE		01
16B	0503034492	HYDRAULIC HOSE GRIP (BLACK)		01
16C	0503034495	HYDRAULIC HOSE GRIP (RED)		01
16D	0503018952	PLASTIC BOLT		06
17	0501053834	MALE QUICK COUPLER	23	02
18	0561014252	3/4" UNF X 1" NIPPLE WITH REDUCTION		02



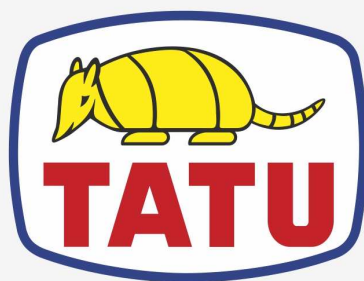
Item	Code	Description	See page	QT
01	0503011627	MALE QUICK COUPLER AGR 1/2 NPT		01
02	0503011882	MALE QUICK COUPLER CAP		01



Item	Code	Description	See page	32	34	36
01	0501040693	2.1/2" X 63" AXLE WITH NUTS		08	06	04
01A	0501010358	2.1/2" X 63" AXLE		08	06	04
01B	0502040064	2.1/2" SNC X 70 99 NUT		16	12	08
02	0501040690	2.1/2" X 80" AXLE WITH NUTS		00	02	04
02A	0501010357	2.1/2" X 81" AXLE		00	02	04
02B	0502040064	2.1/2" SNC X 70 99 NUT		00	04	08
03	0541010368	NUT LOCK		16	16	16
04	0502010592	2.1/2" INNER AXLE WASHER		08	08	08
05	0502010593	2.1/2" EXTERNAL AXLE WASHER		08	08	08
06	0503010232	5/8" X 1.3/4" BOLT		32	32	32
07	0501012140	FLAT WASHER		32	32	32
08	0503012412	5/8" UNC SELF LOCKING NUT		32	32	32
09	0521041291	OIL 16" X 2.1/2" BEARING ASSY	25	16	16	16
10	0501041301	1.1/4" X 5.3/4" ASSY BOLT		32	32	32
10A	0501010954	1.1/4" X 5.3/4" BOLT		32	32	32
10B	0501010953	1-1/4" SQUARE WASHER		32	32	32
10C	0531010713	FLAT WASHER		32	32	32
10D	0501010087	1.1/4" NUT		64	64	64
11	0502012220	2.1/2" X 17" SPACER		08	10	12
12	0602048062	DR 36 X 12 C130AF04FR2.9/16 12R TAT/CV		32	34	36
12.	0602051003	DR 40 X 12 C143AF04FR2.9/16 12R TAT/CV		32	34	36



Item	Code	Description	See page	QT
01	0502012415	HOUSING BEARING		01
02	0502040119	SEAL RETAINER		02
03	0502040165	INNER FLANGE		01
04	0502010644	HOUSING CAP DM		01
05	0503030537	8.3" X 6.3" X 0.01" JOINT		02
06	0503030687	8.3" X 6.3" X 0.004" JOINT		01
07	0503011440	SPRING WASHER		06
08	0502040164	OUTER FLANGE		01
09	0503030029	RETAINER LP JB-259		02
10	0503013243	32218 ROLLER BEARING		02
11	0503010856	OIL PLUG		02
12	0503010920	1/2 UNC X 1.1/2 C S G.5 ZN BOLT		06
13	0502040039	AXLE		01
14	0511017302	FLAT WASHER 13,50 X 32,50 X 3,0 ZN		04
15	0503010019	1/2" SPRING WASHER		04
16	0503010834	1/2 X 1 BOLT		04
17	0521062889	PROTECTION CAP		01
18	3402301247	MINERAL OIL GREASE		01



MARCHESAN

Technical Publications | Elaboration and Revision

LEONARDO JOSÉ DA SILVA SOUZA

www.marchesan.com.br

