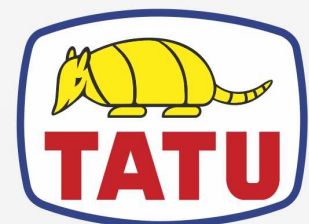


OFFSET DISK HARROW

GAPCR 360 - 18D - 2.1/8" AXLE

Code: 0501093495
Series: S-0611
Revision: 00
Date Revision: MARÇO/2023

PARTS CATALOGUE



MARCHESAN



PRODUCTS

Code	Description
0102060367	GAPCR 360 18X34X9,0 DR DMO E 2.1/8 PN11L15 S-0611

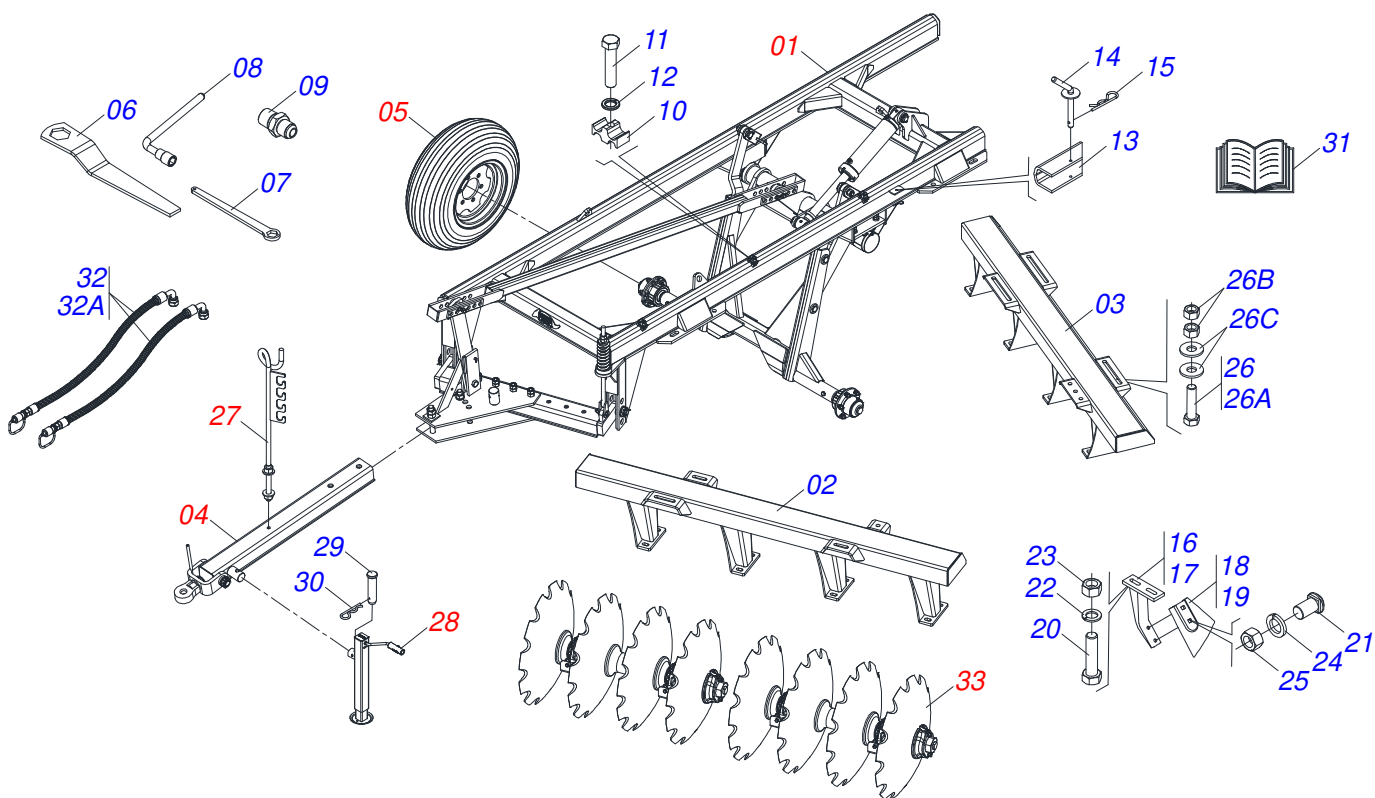
ATTENTION: IMPORTANT

Marchesan S.A. reserves the right to improve and/or modify the technical features of its products, without obligation to do the same with those products already sold and without prior knowledge of the dealer or the customer. The photos are only illustrative.



INDEX

0909096656	ASSY FRAME	1
0511049759	FRAME ASSY - 12A18D-11L15	2
0521044885	WHEEL ASSY	3
0501054685	WHEELS HUB ASSY	4
0501048562	53,98 X 101,6 X 630 X 300 HYDRAULIC CYLINDER	5
0511050170	HARNESS ASSY	6
0503061864	WHEEL SET	7
0501040257	ASSY 3/4 X 975 HOSE SUPPORT	8
0511048088	DRAWBAR JACK	9
0909096657	ASSY DISCS SECTION	10
0531041578	AGRICULTURAL BEARING DM OL 360 X 2.1/8 SWINGING WITH SUPPORT	12
0531052835	AGRICULTURAL BEARING DM OL 360 X 2.1/8 SWING	13



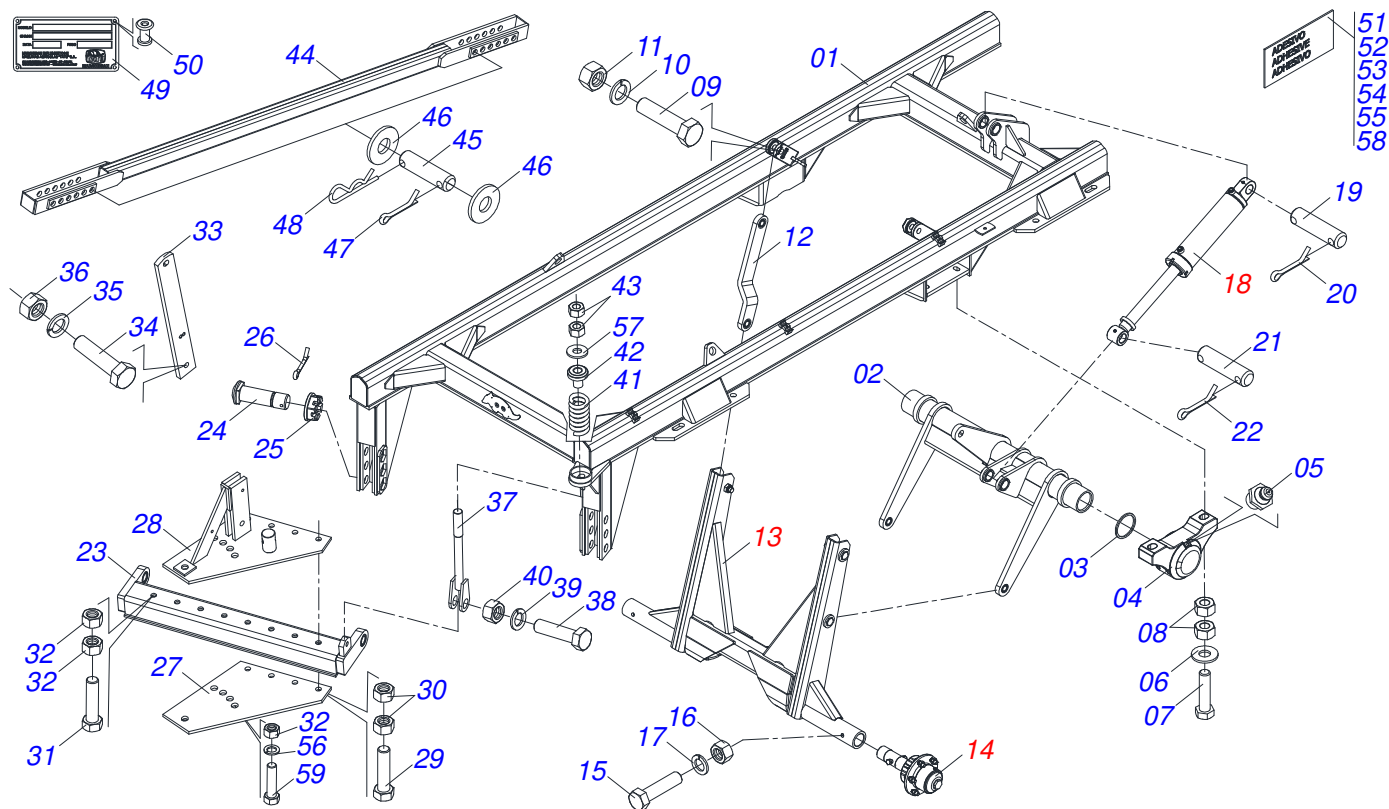
Item	Code	Description	See page	QT
01	0511049759	FRAME ASSY - 12A18D-11L15	2	01
02	0531062910	FRAME ASSY - 18		01
03	0531062911	REAR CHASSIS - 18		01
04	0511050170	HARNES ASSY	6	01
05	0503061864	WHEEL SET	7	02
06	0501011431	1-3/4" GANG BOLT WRENCH		02
07	0531013656	WRENCH		01
08	0503018438	1" WRENCH CYLINDRICAL HEX		01
09	0551012528	ADAPTER (GND)		02
10	0502012702	BODY SUPPORT CLAMP		03
11	0503012555	SCREW 7/16 UNC X 2 CS RT G.7 ZN		03
12	0503010180	7/16" SPRING WASHER		03
13	0521013685	LOCK PISTON		01
14	0511060137	ASSEMBLY LOCK PIN		01
15	0503030012	HITCH PIN CLIP		01
16	0511060138	FRONT CLEANER SUPPORT		09
17	0511060139	REAR CLEANER SUPPORT		09
18	0521013678	FRONT CLEANER		09
19	0521013679	REAR CLEANER		09
20	0503012180	FRENCH 3/4" X 2 BOLT		36
21	0503012195	5/8" NUT		36
22	0503010023	3/4" SPRING WASHER		36
23	0503012183	SNC 3/4" ZIN 1K03097 NUT		36
24	0503010027	5/8 SPRING WASHER		36
25	0503010013	5/8 NUT		36
26	0531041590	1 X 4 C S COMPLETE SCREW ASSEMBLY		08
26A	0503011432	BOLT		08
26B	0503012182	1" NUT		16
26C	0521015523	BOOST		16
27	0501040257	ASSY 3/4 X 975 HOSE SUPPORT	8	01
28	0511048088	DRAWBAR JACK	9	01



ASSY FRAME

0909096656

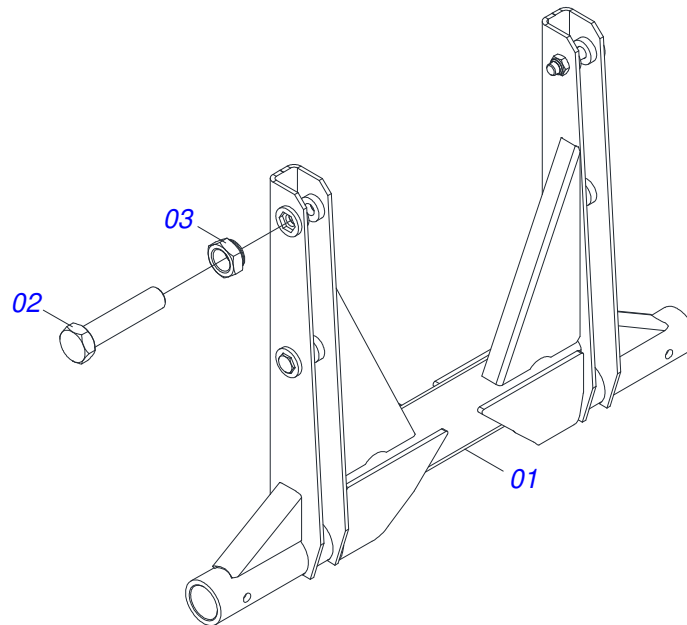
Item	Code	Description	See page	QT
29	0561014251	COUPLING SHAFT		01
30	0503030012	HITCH PIN CLIP		01
31	0511030134	BAG WITH INSTRUCTION MANUAL		01
32	0511050954	HOSE GAME		01
32A	0501080640	3/8 X 7200 TC-TM HOSE		02
33	0909096657	ASSY DISCS SECTION	10	01



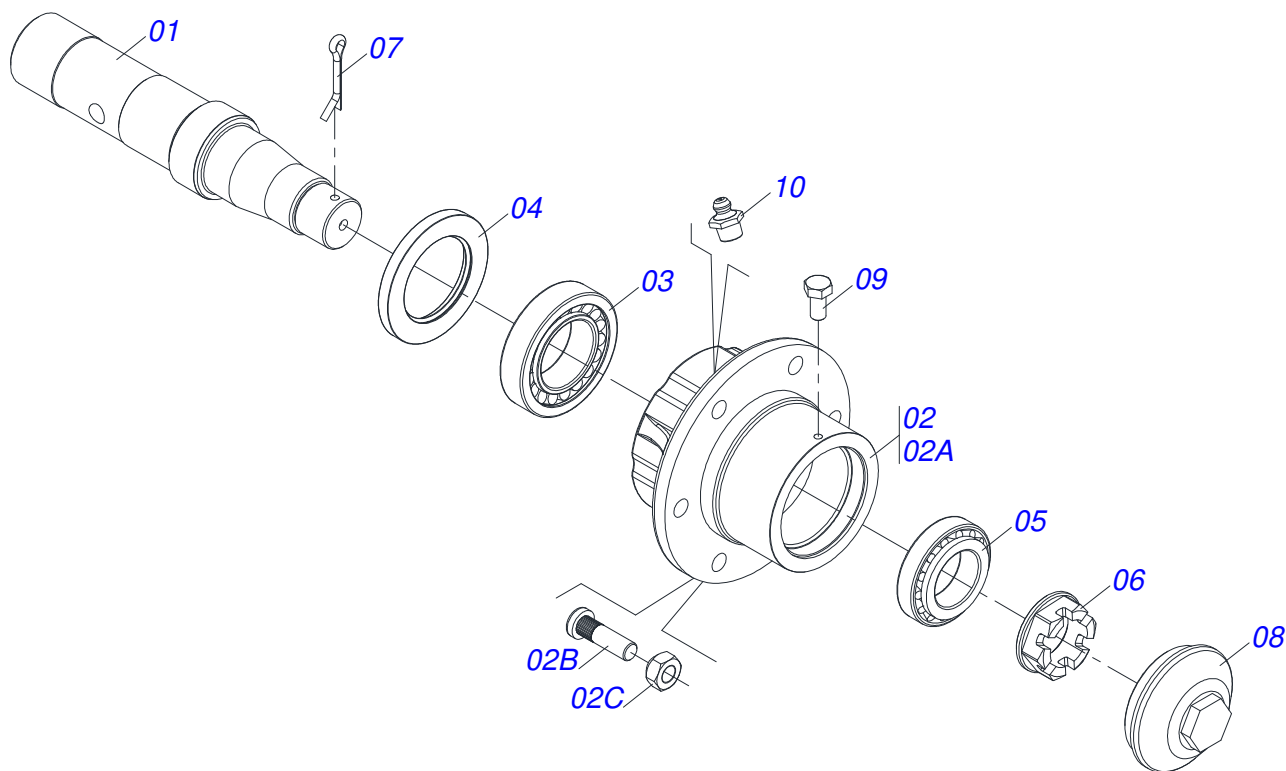
Item	Code	Description	See page	QT
01	0521064430	FRAME		01
02	0511060135	WHEELS AXLE		01
03	0503012223	FELT RING		02
04	0502011583	BEARING AXLE		02
05	0503010002	1800 GREASE FITTING		02
06	0521013710	WASHER SEMIMAN		04
07	0503010797	3/4" X 4" BOLT		04
08	0503012183	SNC 3/4" ZIN 1K03097 NUT		08
09	0503011432	BOLT		02
10	0503011438	SPRING WASHER		02
11	0503012182	1" NUT		02
12	0511063681	ARM		02
13	0521044885	WHEEL ASSY	3	01
14	0501054685	WHEELS HUB ASSY	4	02
15	0501010163	5/8" X 4-1/2" BOLT		02
16	0503010013	5/8 NUT		02
17	0503010027	5/8 SPRING WASHER		02
18	0501048562	53,98 X 101,6 X 630 X 300 HYDRAULIC CYLINDER	5	01
19	0521013707	HEADLESS PIN		01
20	0503010010	1/4" X 2.1/2" COTTERPIN		02
21	0521013706	HEADLESS PIN		01
22	0503010010	1/4" X 2.1/2" COTTERPIN		02
23	0511060115	DRAWBAR		01
24	0501016416	1-1/2" X 5.4" BOLT		02
25	0501011301	1.1/2 UNC 6FPP 2.5/16 NUT		02
26	0503010010	1/4" X 2.1/2" COTTERPIN		02
27	0511060125	BOTTOM PLATE HITCH		01
28	0511060126	TOP PLATE HITCH		01
29	0501010219	1" X 7-1/2" BOLT		04
30	0503012182	1" NUT		08
31	0503012192	1-1/4" X 8 BOLT		01



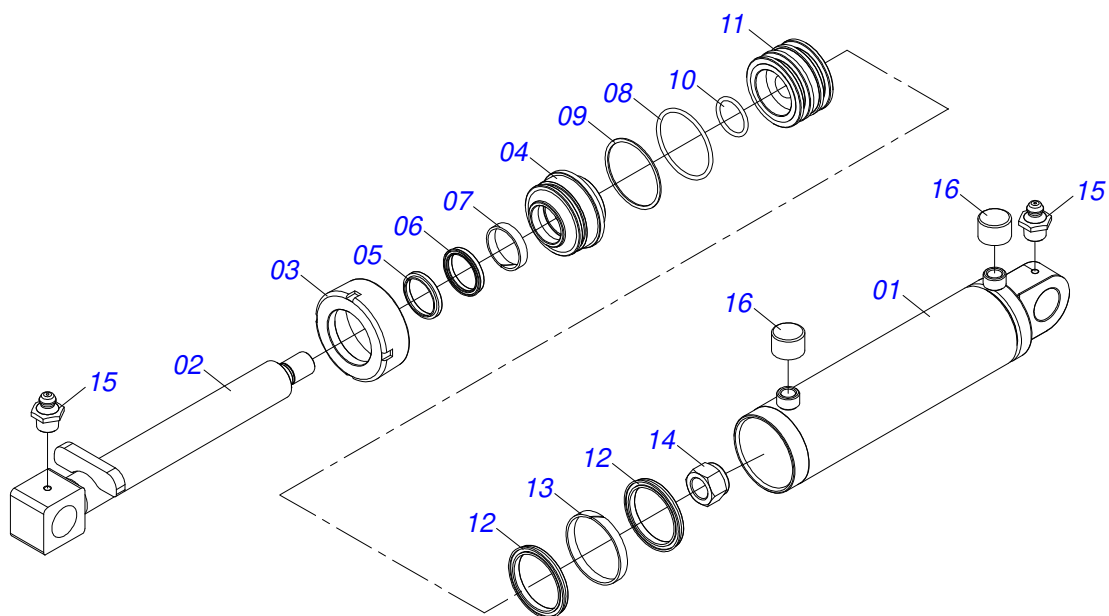
Item	Code	Description	See page	QT
32	0503012181	1.1/4" NUT		03
33	0521013673	TOWER		01
34	0503011432	BOLT		01
35	0503011438	SPRING WASHER		01
36	0503012182	1" NUT		01
37	0511060124	ASSEMBLY TIME		01
38	0501010125	3/4" X 2-1/2" BOLT		01
39	0503011442	3/4" SPRING WASHER		01
40	0503012183	SNC 3/4" ZIN 1K03097 NUT		01
41	0503031460	SPRING		01
42	0502011582	SPINDLE GUIDE		01
43	0503012182	1" NUT		02
44	0511060127	BEAM STABILIZER		01
45	0521013703	PIN FREE HEAR		02
46	0521015518	BOOST		04
47	0503010038	3/16 X 2 COTTERPIN		02
48	0503031470	TM 251 X 4,0 STAPLE		02
49	0503034003	SERIAL NUMBER TAG 61 X 118		01
50	0503010001	3.2 X 5.5 RIVET		04
51	0503031428	READ MANUAL DECAL		01
52	0503031738	ADHESIVE LABEL		01
53	0503033038	DANGER SIGN		02
54	0503031087	ADHESIVE LABEL		01
55	0503061972	GAPCR 360 DECAL SET		01
56	0503010070	SPRING WASHER		01
57	0551012215	FLAT WASHER		02
58	0503031739	ADHESIVE LABEL		01
59	0501814174	BOLT		01



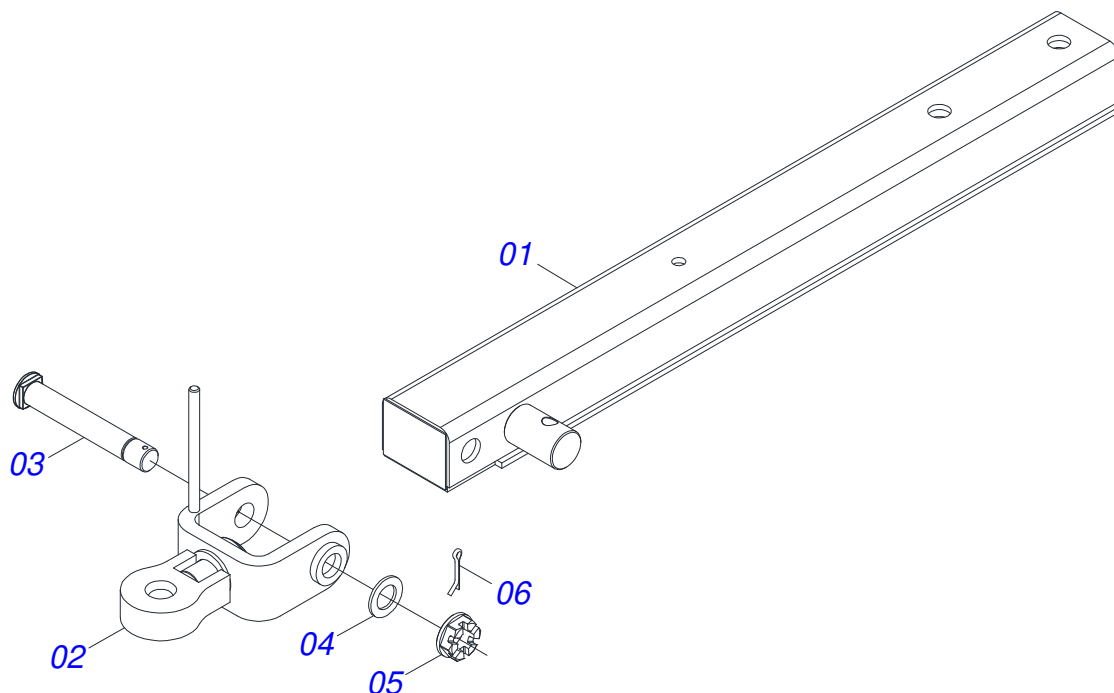
Item	Code	Description	See page	QT
001	0511060141	WHEEL ASSEMBLY		01
002	0501011547	1" X 4-1/2" BOLT		04
003	0503014182	SELF-ADJUSTING NUT		04



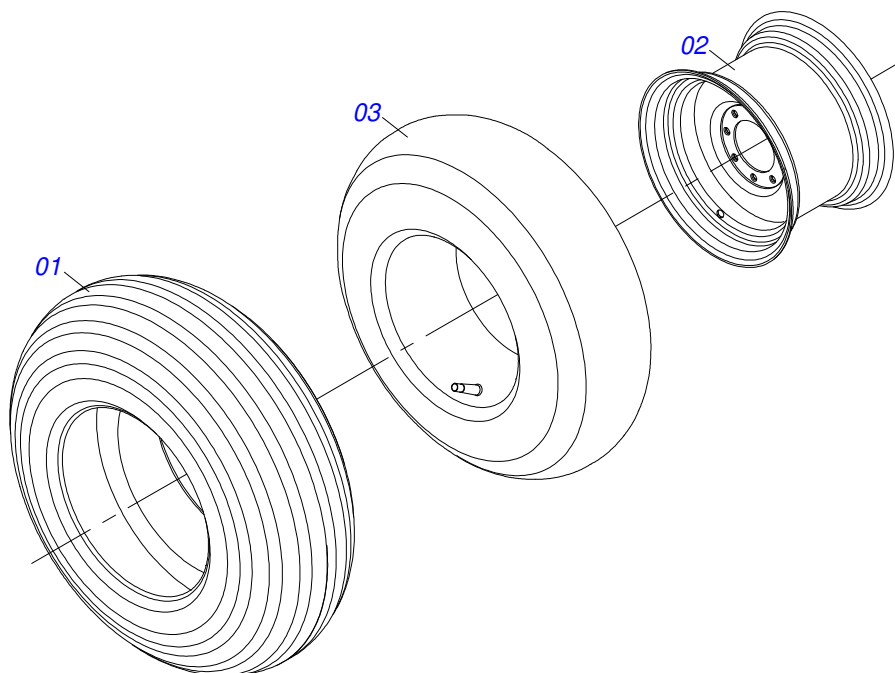
Item	Code	Description	See page	QT
01	0531019478	CR 30M/1 AXLE		01
02	0501110768	HUB CARRYING WHEELS WITH BOLT		01
02A	0502011389	BOX		01
02B	0501010186	WHEEL SCREW 5/8UNF X 2.1/8CR		06
02C	0503010064	5/8 UNF CONIC NUT		06
03	0503010005	32212 ROLLER BEARING		01
04	0503010009	RETAINER 00573-B		01
05	0503010006	32210 ROLLER BEARING		01
06	0501010888	1.3/4" 2.5/16" CASTLE NUT		01
07	0503010010	1/4" X 2.1/2" COTTERPIN		01
08	0502020593	COVER		01
09	0503010295	SCREW 5/16 UNC X 5/8 CS G.2 ZN		01
10	0503010002	1800 GREASE FITTING		01



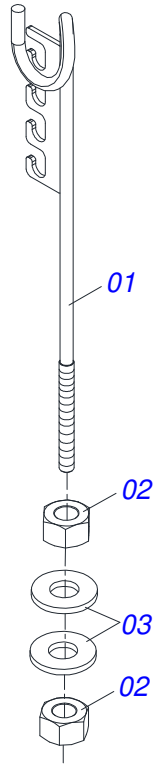
Item	Code	Description	See page	QT
01	0511062252	101,6 X 418 CYLINDER CASE		01
02	0511062250	53,98 X 509 TURNBUCLE		01
03	0502010017	4" HEAD		01
04	0502011250	RING OF SUPPORT		01
05	0503010319	D-2125 SCRAPER		01
06	0503010314	GASKET		01
07	0503010973	W2-2500-500 PK O'RING G.E		01
08	0503011061	8-342 BACK-UP RING		01
09	0503010338	2-342 N 3006-9B O'RING		01
10	0503010345	2-218 N 3006-9B O'RING		01
11	0502011969	53,98 X 101,60 PISTON		01
12	0503010043	PACKING 3750-3250		02
13	0503010994	W2-4000-500 PK RING G.E		01
14	0503010817	1.1/4" SELF LOCKING NUT		01
15	0503010002	1800 GREASE FITTING		02
16	0503030384	CON PLUG N-001		02



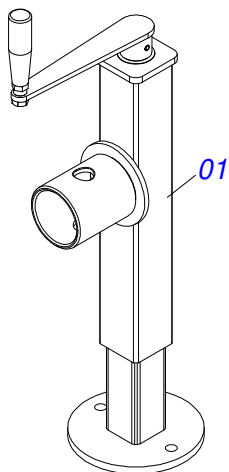
Item	Code	Description	See page	QT
01	0511060119	HARNESS		01
02	0521062956	HITCH		01
03	0561018588	COUPLING SHAFT		01
04	0501011301	1.1/2 UNC 6FPP 2.5/16 NUT		01
05	0501012916	FLAT WASHER 40 X 66 X 4,75 ZN		01
06	0503010010	1/4" X 2.1/2" COTTERPIN		01



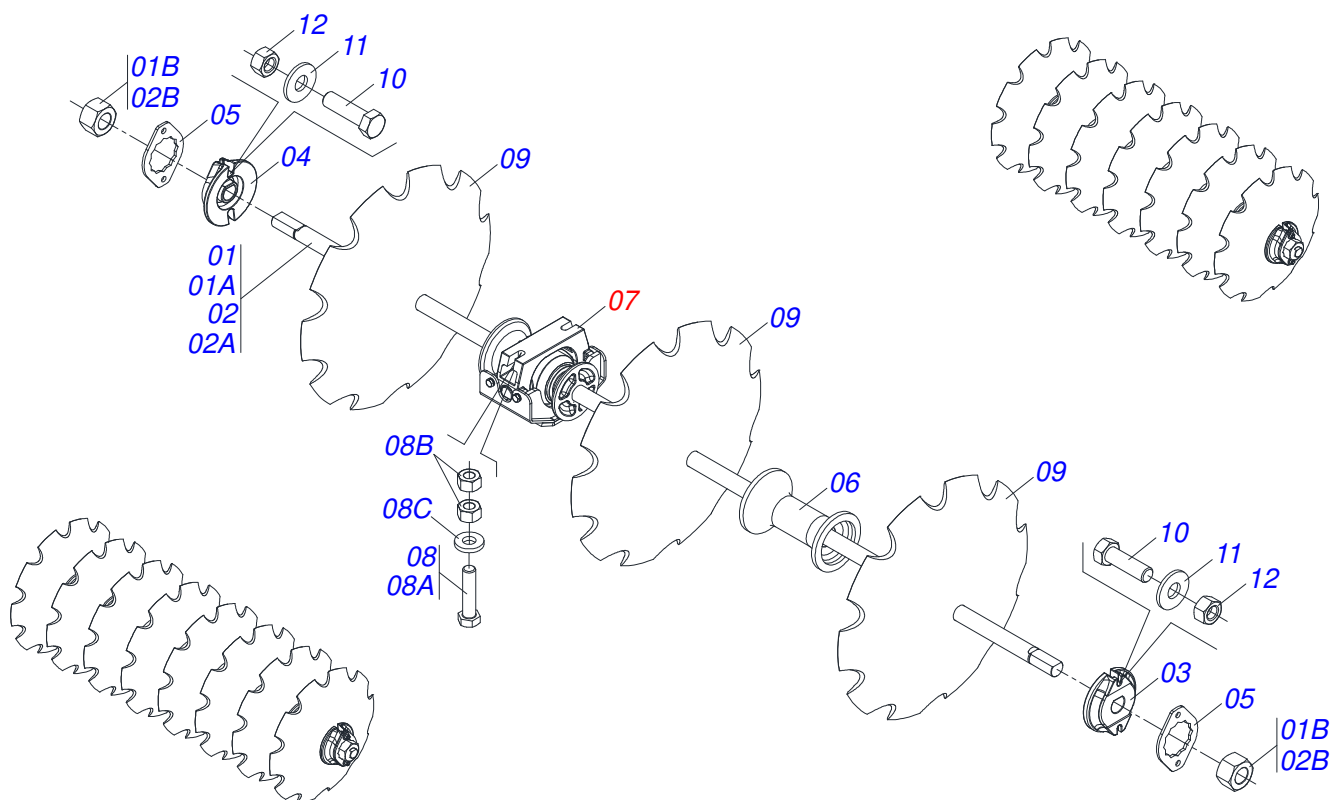
Item	Code	Description	See page	QT
01	0503011469	RIB TIRE BL - 12L		01
02	0511064777	CR 30M/2-L15 WHEEL		01
03	0503010860	AIR CHAMBER 11L 15		01



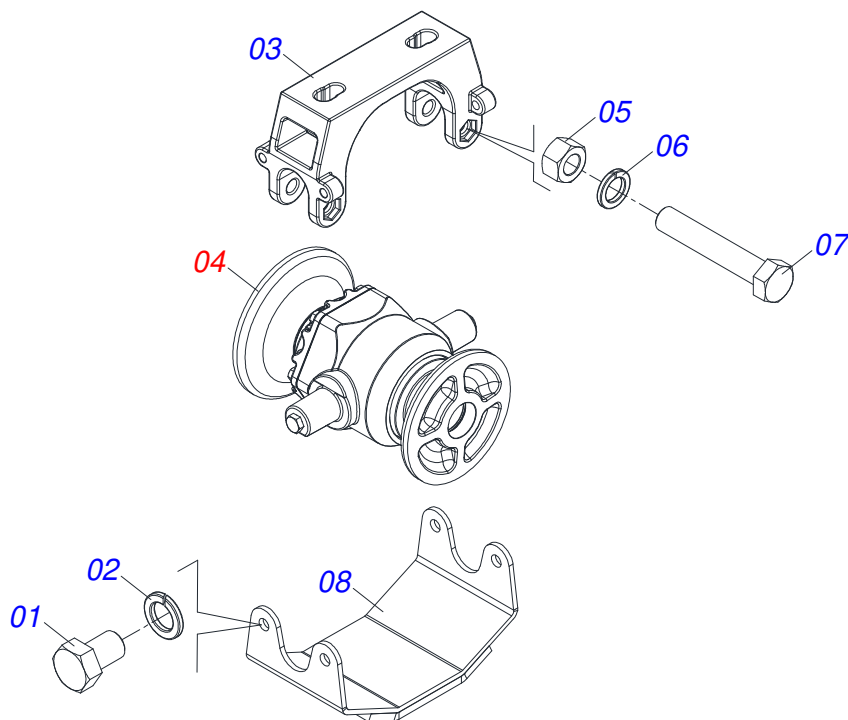
Item	Code	Description	See page	QT
01	0511067334	HOSE SUPPORT		01
02	0503010014	3/4" HEX NUT		02
03	0501010322	FLAT WASHER		02



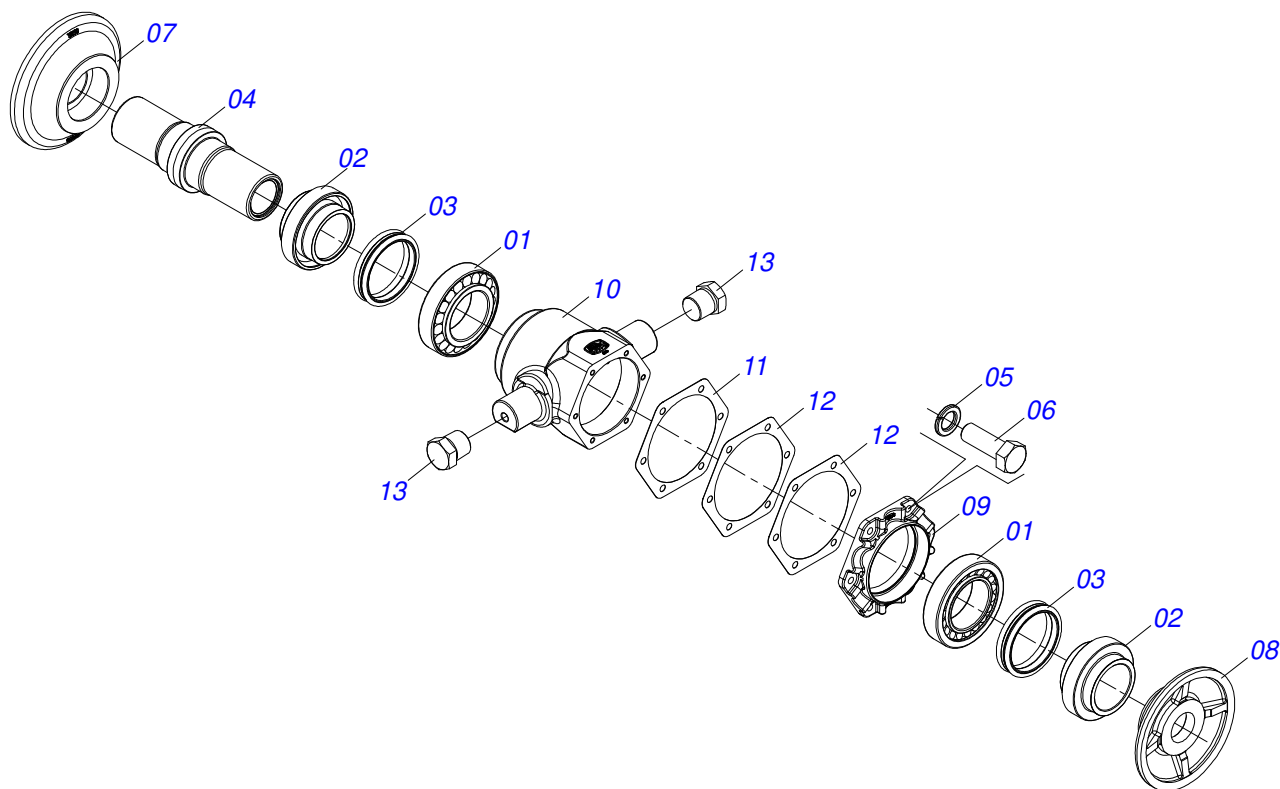
Item	Code	Description	See page	QT
01	0503062227	DRAWBAR JACK		01



Item	Code	Description	See page	QT
01	0531041580	2.1/8 X 1322 AXLE WITH NUTS		02
01A	0501210542	AXIS 2.1/8 X 1322		02
01B	0502040063	2-1/8" X 54 99 NUT		04
02	0521055358	2.1/8 X 1685 AXLE WITH NUTS		02
02A	0581019810	2.1/8 X 1685 AXLE		02
02B	0502040063	2-1/8" X 54 99 NUT		04
03	0502010595	2-1/8" INNER AXLE WASHER		04
04	0502010594	2-1/8" EXTERNAL AXLE WASHER		04
05	0541010368	NUT LOCK		08
06	0502013026	SEPARATOR		04
07	0531041578	AGRICULTURAL BEARING DM OL 360 X 2.1/8 12 SWINGING WITH SUPPORT		08
08	0531041581	1 X 4 SCREW ASSEMBLY SWING BEARING		16
08A	0503011432	BOLT		16
08B	0501010059	1.5/8 NUT		32
08C	0541010210	FLAT WASHER		16
09	0602046013	34" X 0.3" NOTCHED DISC BLADE		18
10	0503010232	5/8" X 1.3/4" BOLT		16
11	0501012140	FLAT WASHER		16
12	0503012412	5/8 UNC SELF LOCKING NUT		16



Item	Code	Description	See page	QT
01	0503010834	1/2 X 1 BOLT		04
02	0503010019	1/2" SPRING WASHER		04
03	0502013011	360 OSCILLATING BEARING SUPPORT (CENTRAL)		01
04	0531052835	AGRICULTURAL BEARING DM OL 360 X 2.1/8 13 SWING		01
05	0503010013	5/8 NUT		02
06	0503010027	5/8 SPRING WASHER		02
07	0503010480	5/8" X 4.3/4" BOLT		02
08	0501210530	SWING BEARING COVER		01



Item	Code	Description	See page	QT
01	0503010117	32216 ROLLER BEARING		02
02	0502040123	SEAL RETAINER		02
03	0503030028	JB-257 SEAL		02
04	0502040034	BEARING AXLE		01
05	0503011443	3/8" SPRING WASHER		06
06	0503010751	C3/8" X 1.1/4" HEX BOLT G.5		06
07	0501211750	EXTERNAL DISC BACKREST 2.1/8		01
08	0501211749	INTERNAL BACKREST DISC 2.1/8		01
09	0502012772	BEARING COVER		01
10	0502013012	OSCILLATING AGRICULTURAL BEARING BOX 2.1/8		01
11	0503034044	JOINT		01
12	0503034045	JOINT		02
13	0503010856	OIL PLUG		02
14	3402301275	TATU OIL		0.6Lt



MARCHESAN

Technical Publications | Elaboration and Revision

LEONARDO JOSÉ DA SILVA SOUZA

www.marchesan.com.br

